

ART. R530

LARGE 4 WAY TERMINAL BLOCK

MATERIAL:

Impact resistant and self-extinguishing Polystyrene.

SURFACE:

Glossy.

COLOUR:

Black (RAL 9011).

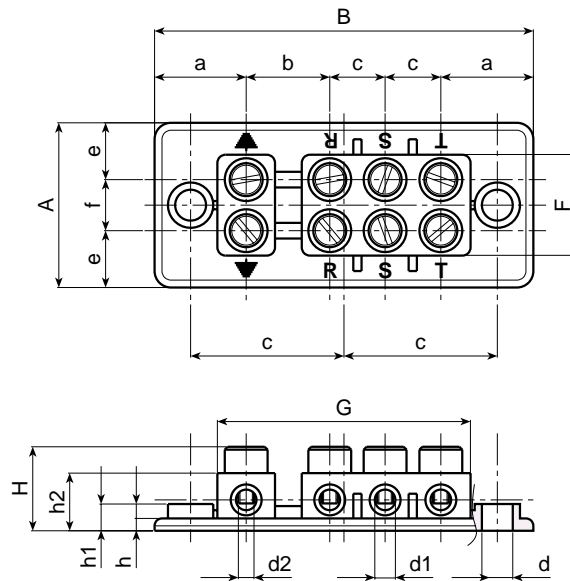
MAIN INSERTS:

Brass Threaded through hole insert.

Yellow passivated steel screw M4x10 DIN 84.

SPECIAL REQUESTS:

- None.



Art.	A	B	H	F	G	a	b	c	e	f	g	h	h1	h2	d	d1	d2	Weight (gr)
R530-91	40	92	20	25	61	22	20	13,5	14	12,5	37	3	6,5	15	7	5	M4	70

ART. R531

TERMINAL BLOCK COVER

MATERIAL:

Impact resistant and self-extinguishing Polystyrene.

SURFACE:

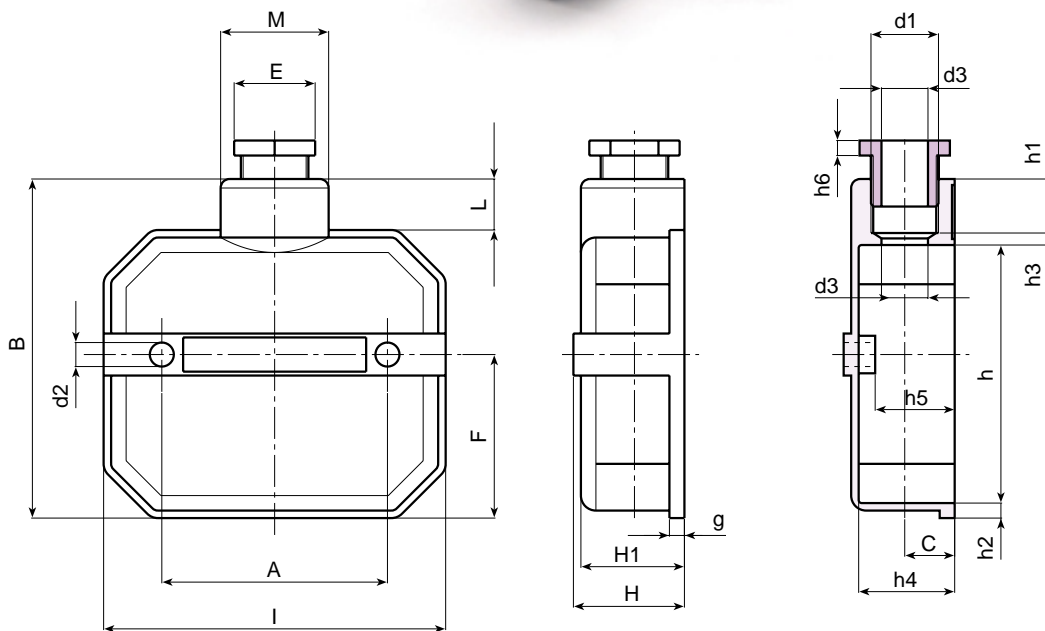
Glossy.

COLOUR:

Black (RAL 9011).

SPECIAL REQUESTS:

- None.



Art.	A	B	H	I	C	E	F	L	M	H1	d1
R531-114 PG16	114	114	37	75,5	16,5	27	54,5	17	35,5	35	PG16

Art.	d2	d3	h	h1	h2	h3	h4	h5	h6	h7	Weight (gr)
R531-114 PG16	8	15,5	86	4	5	18	31	25,5	5	4,5	77



BOTECA

ART. R532

SMALL 4 WAY TERMINAL BLOCK

MATERIAL:

Impact resistant and self-extinguishing Polystyrene.

SURFACE:

Glossy.

COLOUR:

Black (RAL 9011).

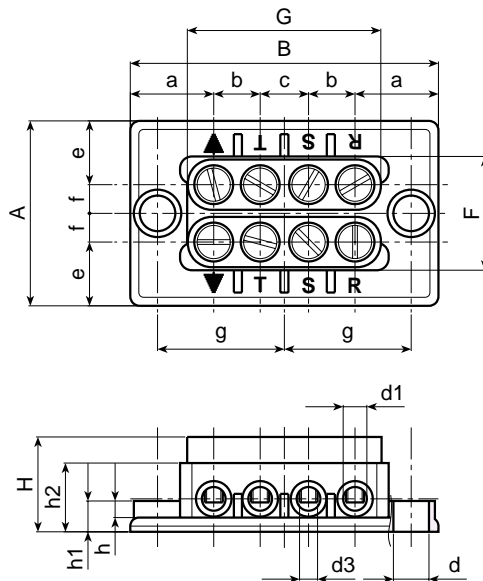
MAIN INSERTS:

Brass Threaded through hole insert.

Yellow passivated steel screw M4x10 DIN 84.

SPECIAL REQUESTS:

- None.



Art.	A	B	H	F	G	a	b	c	e	f	g	h	h1	h2	d	d1	d2	Weight (gr)
R532-65	39	65	20	25	44	17,5	9,7	10,3	13,5	12	27	6	7	14,5	7	5	M4	62



BOTECA

ART. R533

SMALL TERMINAL BLOCK COVER WITH CABLE ENTRY

MATERIAL:

Impact resistant and self-extinguishing Polystyrene.

SURFACE:

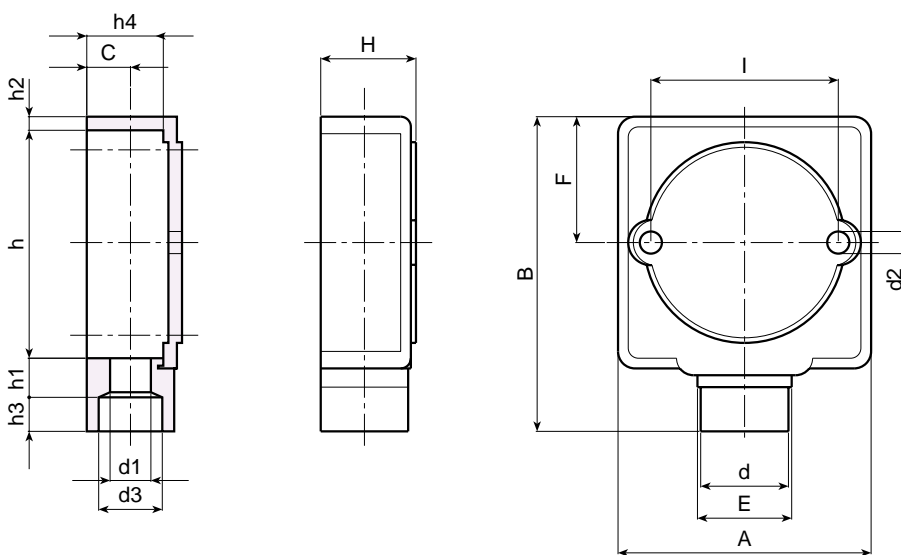
Glossy.

COLOUR:

Black (RAL 9011).

SPECIAL REQUESTS:

- None.



Art.	A	B	H	I	C	E	F	d	d1	d2	d3	h	h1	h2	h3	h4	Weight (gr)
R533-76	75	92	29	53	13	28	37	26	12,5	6,5	19	67	11,5	4	10	23	57



ART. R534

5 WAY TERMINAL BLOCK

MATERIAL:

Impact resistant and self-extinguishing Polystyrene.

SURFACE:

Glossy.

COLOUR:

Black (RAL 9011).

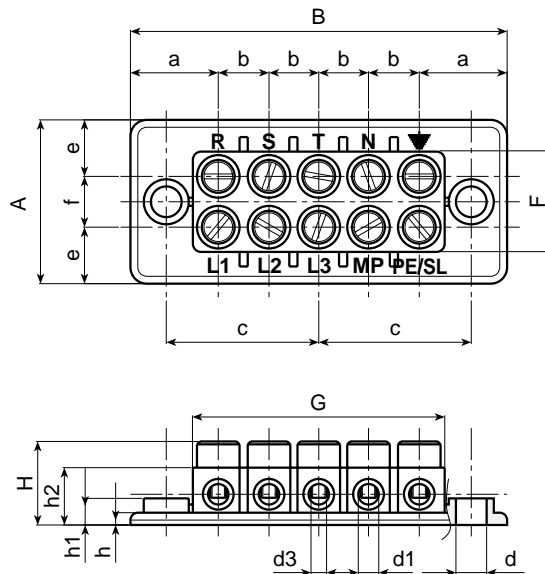
MAIN INSERTS:

Brass Threaded through hole insert.

Yellow passivated steel screw M4x10 DIN 84.

SPECIAL REQUESTS:

- None.



Art.	A	B	H	F	G	a	b	c	e	f	h	h1	h2	d	d1	d2	Weight (gr)
R534-91	40	92	20	25	61	21,5	12,5	37	14	12,5	3	7	15	7	5	M4	83

ART. R535

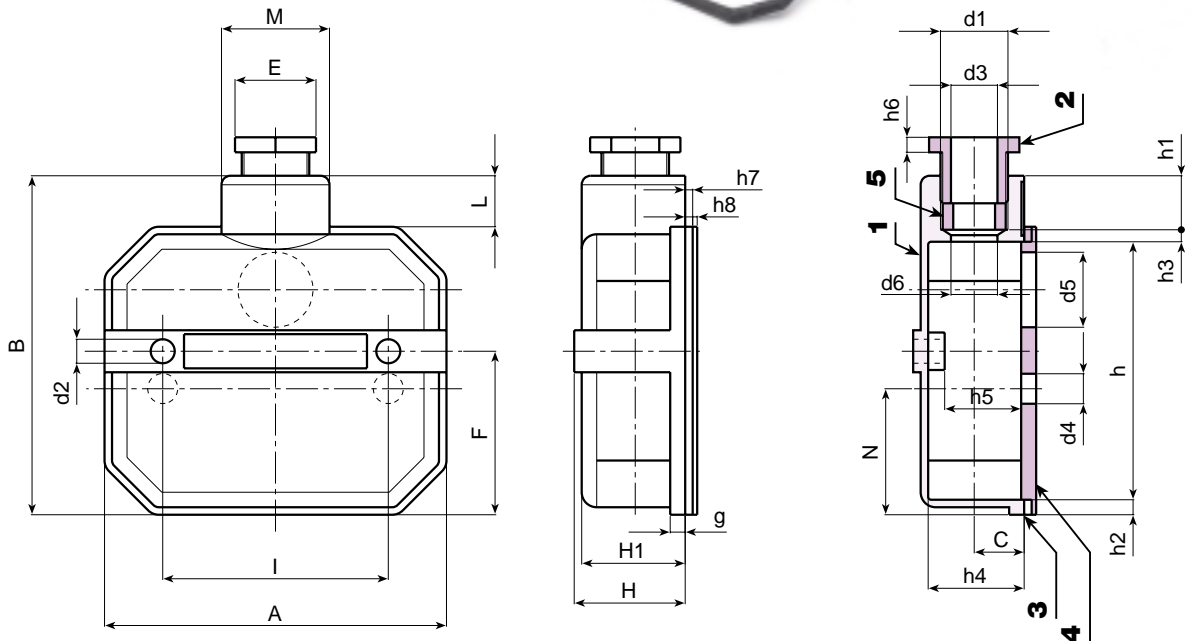
TERMINAL BLOCK COVER WITH MOUNTING PLATE AND GASKET AND CABLE ENTRY PG16

MATERIAL:
 (1-2-4) Impact resistant and self-extinguishing Polystyrene.
 (3-5) Thermoplastic rubber 75 Shore.

SURFACE:
 Glossy.

COLOUR:
 Black (RAL 9011).

SPECIAL REQUESTS:
 • None.



Art.	A	B	H	I	C	E	F	L	M	N	H1	d1	d2	d3	d4
R535-114 PG16	114	114	37	75,5	16,5	27	54,5	17	35,5	42	35	PG16	8	18	9,5

Art.	d5	g	d6	h	h3	h2	h1	h4	h5	h6	h7	h8	h9	Weight (gr)
R535-114 PG16	25	4,5	18	86	4	5	18	31	27	5	2,5	1,5	4,5	112



ART. R536

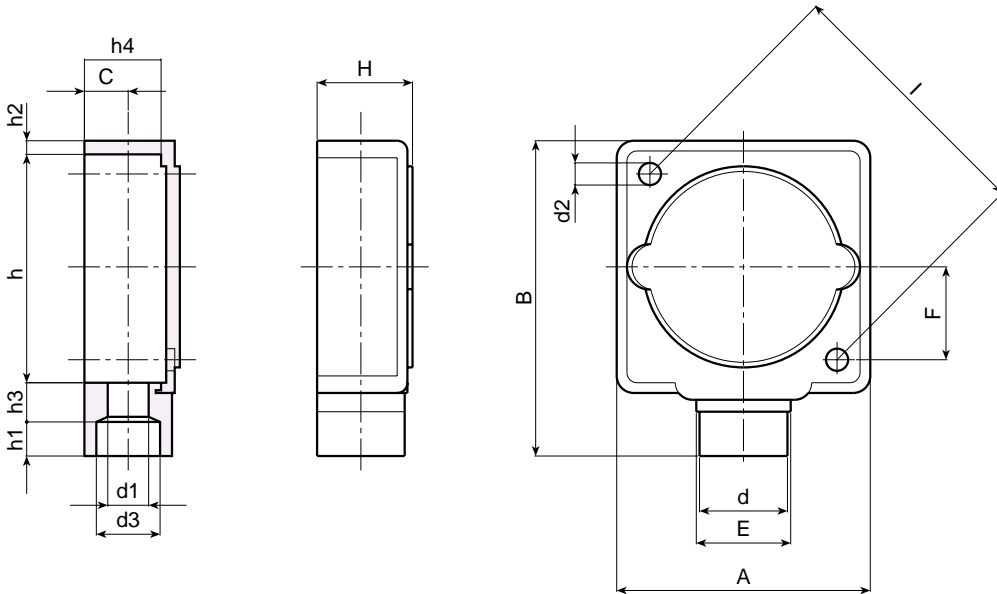
SMALL TERMINAL BLOCK COVER WITH 2 DIAGONAL FIXING HOLES AND CABLE ENTRY

MATERIAL:
Impact resistant and self-extinguishing Polystyrene.

SURFACE:
Glossy.

COLOUR:
Black (RAL 9011).

SPECIAL REQUESTS:
• None.



Art.	A	B	H	I	C	E	F	d	d1	d2	d3	h	h1	h2	h3	h4	Weight (gr)
R536-76	75	92	29	78	13	28	27	26	12,5	6,5	19	65	11,5	4	10	23	47

ACCESSORIES FOR MACHINE TOOLS

ART. R537

COMPLETE "SEALED" 5 WAY TERMINAL BLOCK

MATERIAL:

(1-3) Impact resistant and self-extinguishing Polystyrene.

SURFACE:

Glossy.

COLOUR:

Black (RAL 9011).

MAIN INSERTS:

Brass Threaded through hole insert.

(4) Self-tapping galvanised screw 4.2x22
DIN 7981/UNI 6954.

(2) Thermoplastic rubber 75 Shore.

(5) Yellow passivated steel screw M4x10 DIN 84.

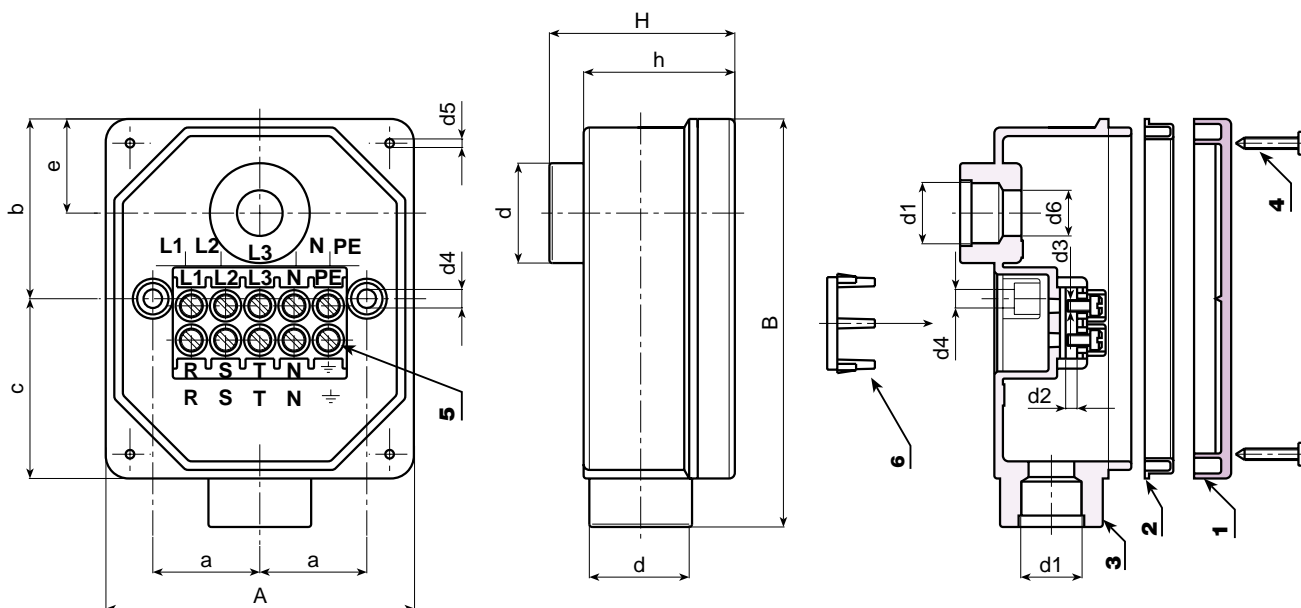
(6) Rear terminal block cover.

DEGREE OF PROTECTION:

IP54.

SPECIAL REQUESTS:

• None.



Art.	A	B	H	h	d	a	b	c	d1	d2	d3	d4	d5	d6	Weight (gr)
R537-126 PG16	108	144	67	53	35,5	38	63	29,5	PG16	5	M4	6,5	3,5	17,5	312
R537-126 PG21	108	144	67	53	35,5	38	63	29,5	PG21	5	M4	6,5	3,5	17,5	308

ART. R551

PLANE GUARD

MATERIAL:

Impact resistant Polystyrene.

SURFACE:

Satin.

COLOUR:

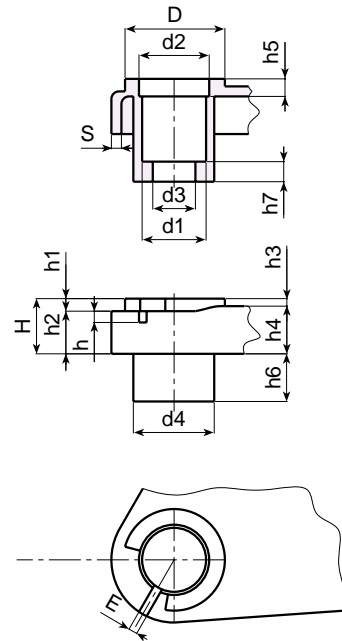
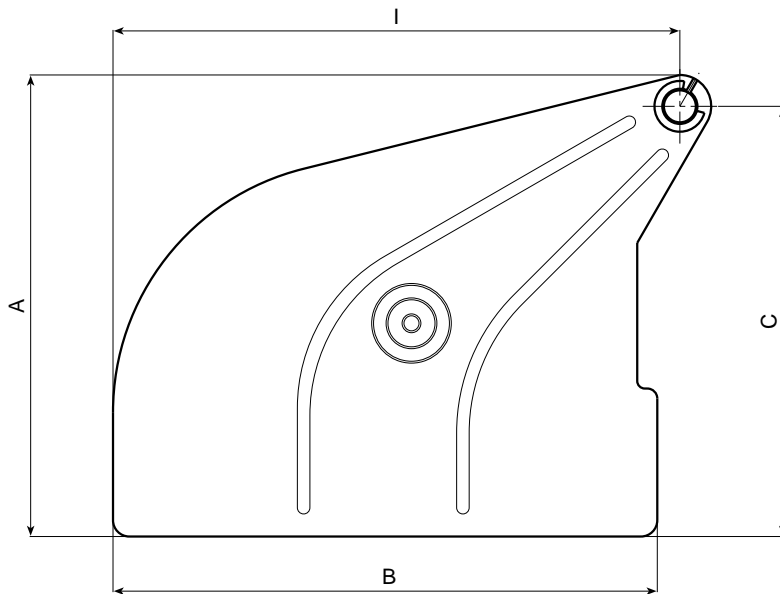
Orange (RAL 2004).

HOLE :

Smooth right through hole obtained by moulding the plastic.

SPECIAL REQUESTS:

- None.



Art.	A	B	C	I	D	E	S	H	h	h1	h2	h3	h4	h5	h6	h7	d1	d2	d3	d4	Weight (gr)
R551-300	265	314	235	340	41	3	2,5	23	7	4	19	4	19	11	18	8,5	25	28	16,5	30,5	310
R551-315	265	314	235	340	41	3	2,5	23	7	4	19	4	19	11	-	-	25	28	-	-	385
R551-395	280	356	253	372	41	3	2,5	23	4,5	5	18	4	19,5	8	18	9	25	28	16,5	30,5	375
R551-355	280	356	253	372	41	3	2,5	23	4,5	5	18	4	19,5	8	-	-	25	28	-	-	365
R551-450	370	436	344	452	41	3	2,5	22	4,5	5	17	3	19	7	-	-	25	28	-	-	660

ACCESSORIES FOR MACHINE TOOLS



BOTECA

ART. R552

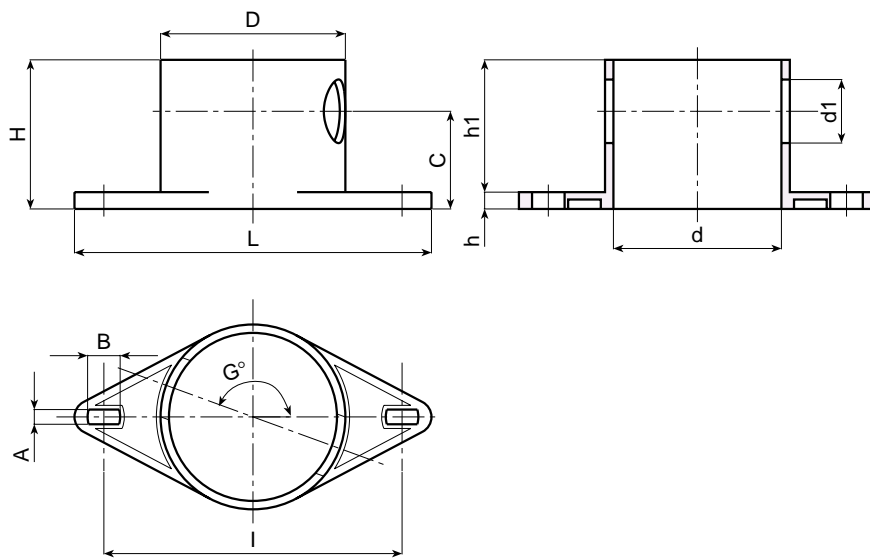
SPINDLE GUARD

MATERIAL:
Reinforced polyamide.
Oils and greases resistant.

SURFACE:
Glossy.

COLOUR:
Black (RAL 9011).

SPECIAL REQUESTS:
• None.



Art.	H	D	d	L	l	A	B	G	c	h	h1	d1	Weight (gr)
R552-170	71	88	80	170	142	7	15	20	46,5	8	63	30	104

ART. R553 AP

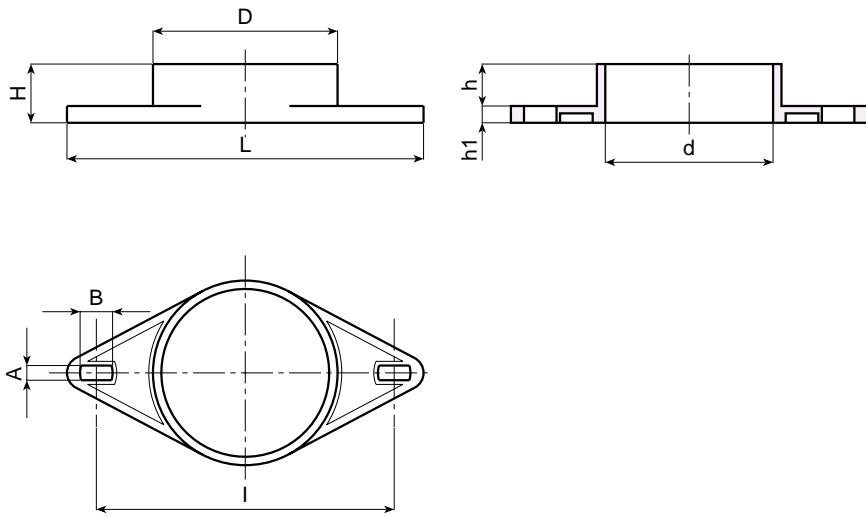
SPINDLE GUARD OPEN

MATERIAL:
Reinforced polyamide.
Oils and greases resistant.

SURFACE:
Glossy.

COLOUR:
Black (RAL 9011).

SPECIAL REQUESTS:
• None.



Art.	H	D	d	L	l	A	B	h	h1	Weight (gr)
R553-170AP	28	88	80	170	142	7	15	8	20	50

ART. R553 CH

SPINDLE GUARD CLOSED

MATERIAL:

Reinforced polyamide.
Oils and greases resistant.

SURFACE:

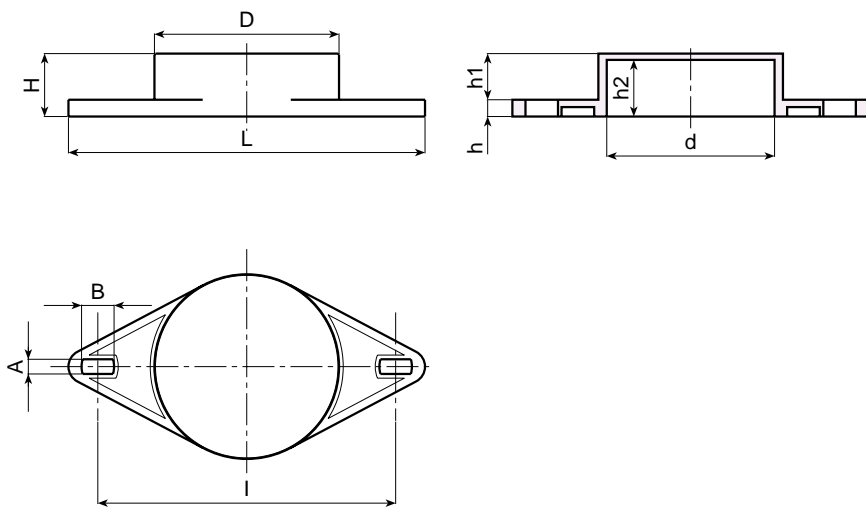
Glossy.

COLOUR:

Black (RAL 9011).

SPECIAL REQUESTS:

- None.



Art.	H	D	d	L	l	A	B	h	h1	h2	Weight (gr)
R553-170CH	30	88	80	170	142	7	15	8	20	27	78

ART. R554

WESCOT SPINDLE GUARD

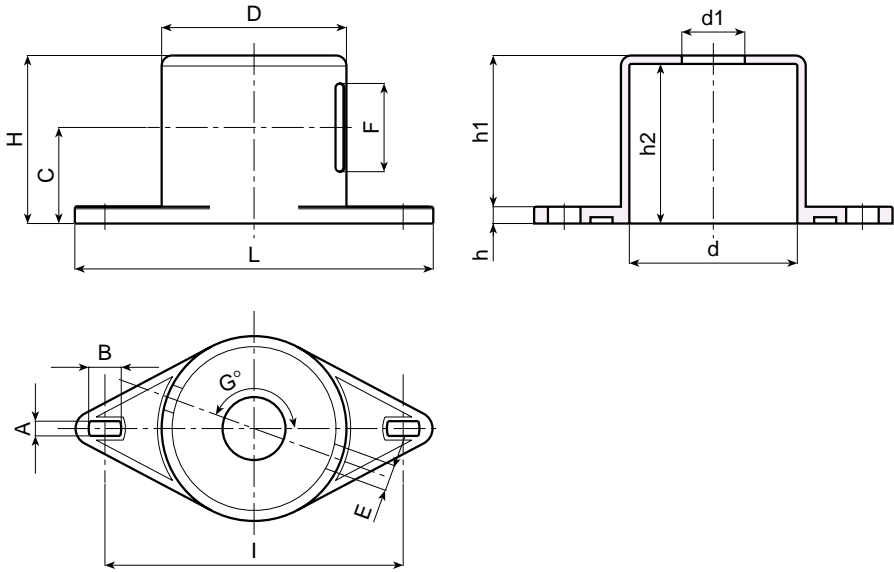
MATERIAL:
Impact resistant Polystyrene.

SURFACE:
Glossy.

COLOUR:
Black (RAL 9011).

SPECIAL REQUESTS:

- None.



Art.	H	D	d	L	I	A	B	E	F	G	c	h	h1	h2	d1	Weight (gr)
R554-170	80	88	80	170	142	7	15	12,5	42	20	46	8	72	76	30	125

ACCESSORIES FOR MACHINE TOOLS

ART. R555

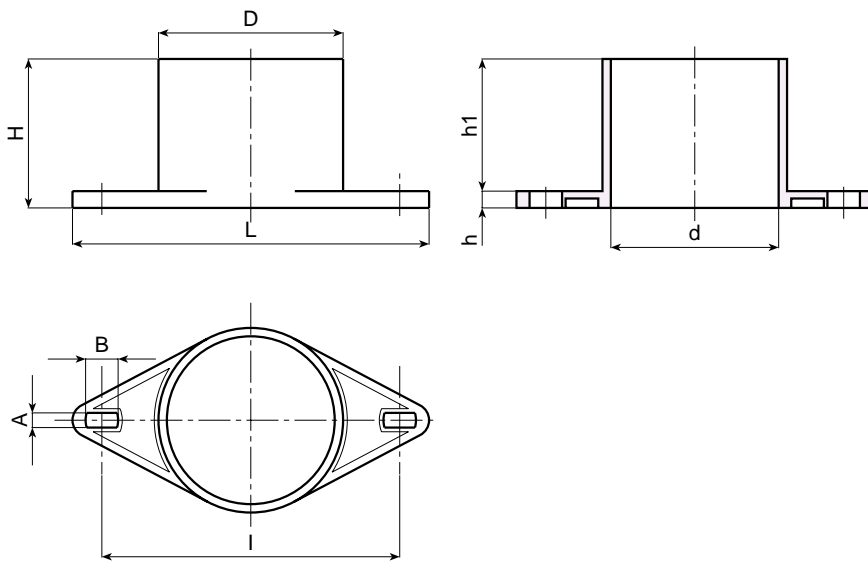
SPINDLE GUARD WITHOUT SIDE HOLES

MATERIAL:
Impact resistant Polystyrene.

SURFACE:
Glossy.

COLOUR:
Black (RAL 9011).

SPECIAL REQUESTS:
• None.



Art.	H	D	d	L	l	A	B	h	h1	Weight (gr)
R555-170	71	88	80	170	142	7	15	8	63	100

ART. R809

BAR STOP

MATERIAL:

Reinforced polyamide.
Oils and greases resistant.

SURFACE:

Satin.

COLOUR:

Black (RAL 9011).

HOLE :

Smooth right through hole obtained by moulding the plastic.

MAIN INSERT:

(1) Zinc plated steel nut DIN 934/UNI 5588.

LOCKING HANDWHEEL:

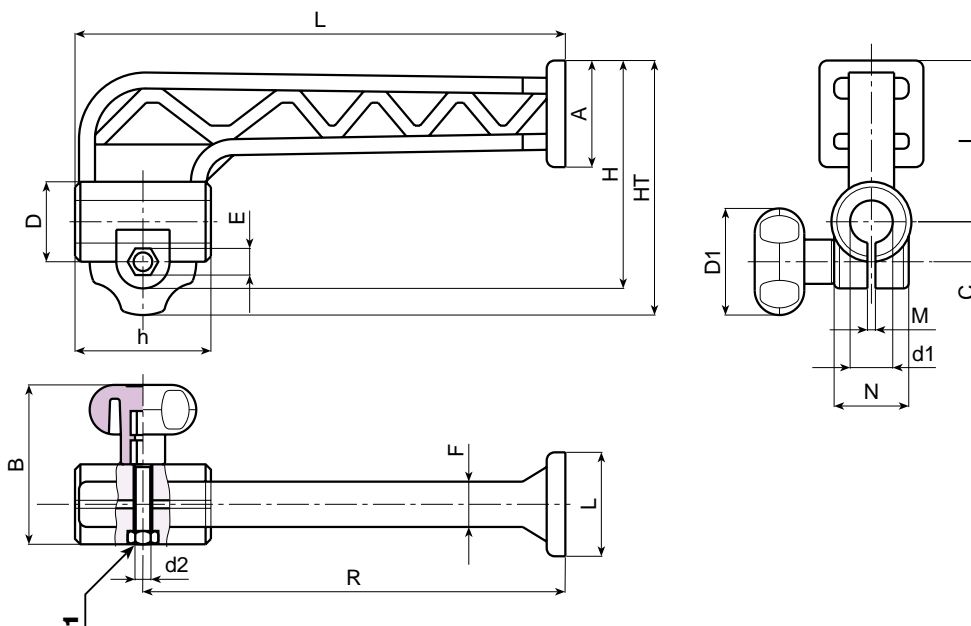
R809-130: art. G732-30 M6x25.

R809-158: art. G732-40 M6x30.



SPECIAL REQUESTS:

- None.



Art.	R	L	H	HT	D	D1	A	B	C	E	F	G	I	M	N	h	d1	d2	Weight (gr)
R809-130 D12	132	150	85	90	25	30	25	46	12	10	14	24	63	2,5	23	37	12	M6	72
R809-130 D13	132	150	85	90	25	30	25	46	12	10	14	24	63	2,5	23	37	13	M6	70
R809-130 D16	132	150	85	90	25	30	25	46	12	10	14	24	63	2,5	23	37	16	M6	67
R809-158 D16	158	185	95	105	29	40	39	57	15	10	17	38	70	2,5	27	50	16	M6	130
R809-158 D20	158	185	95	105	29	40	39	57	15	10	17	38	70	2,5	27	50	16	M6	123



BOTECA

ART. T251

PANEL PRESSER

MATERIAL:

Reinforced polyamide.
Oils and greases resistant.

SURFACE:

Satin.

COLOUR:

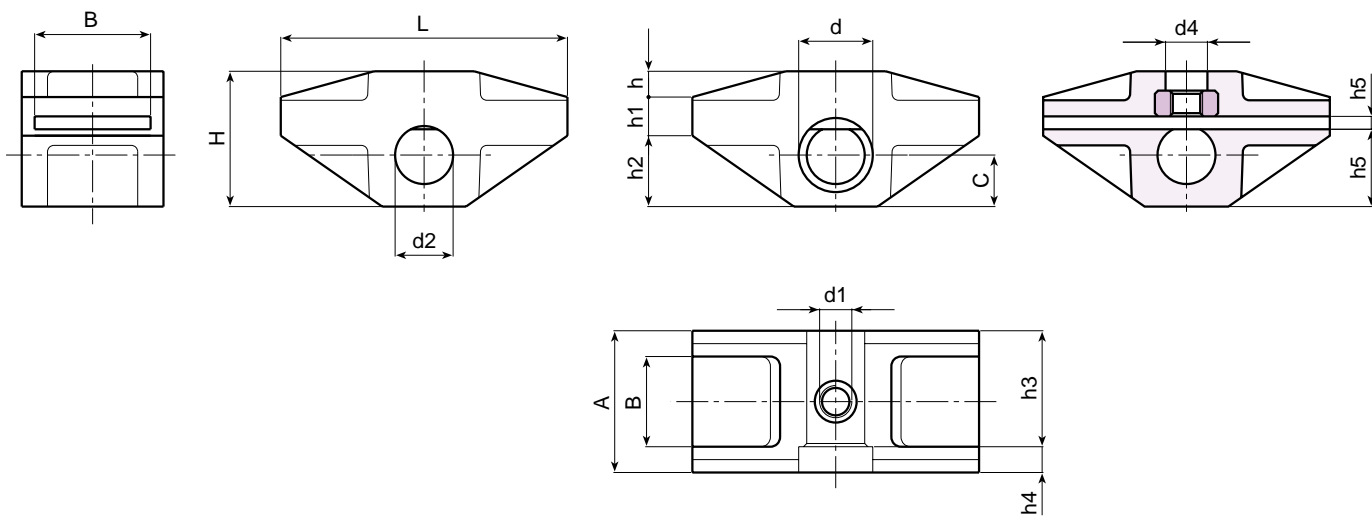
Black (RAL 9011).

MAIN INSERT:

Zinc plated steel nut DIN 934/UNI 5588.

SPECIAL REQUESTS:

- None.



Art.	L	H	A	B	c	E	d	d2	d3	h	h1	h2	h3	h4	h5	h6	d1	Weight (gr)
T251-90	89	42	44	29	16	36	23	18	13,5	10	12	20	35	9	24,5	3	M10	100

ART. T252

PANEL PUSHER

MATERIAL:

Reinforced polyamide.
Oils and greases resistant.

SURFACE:

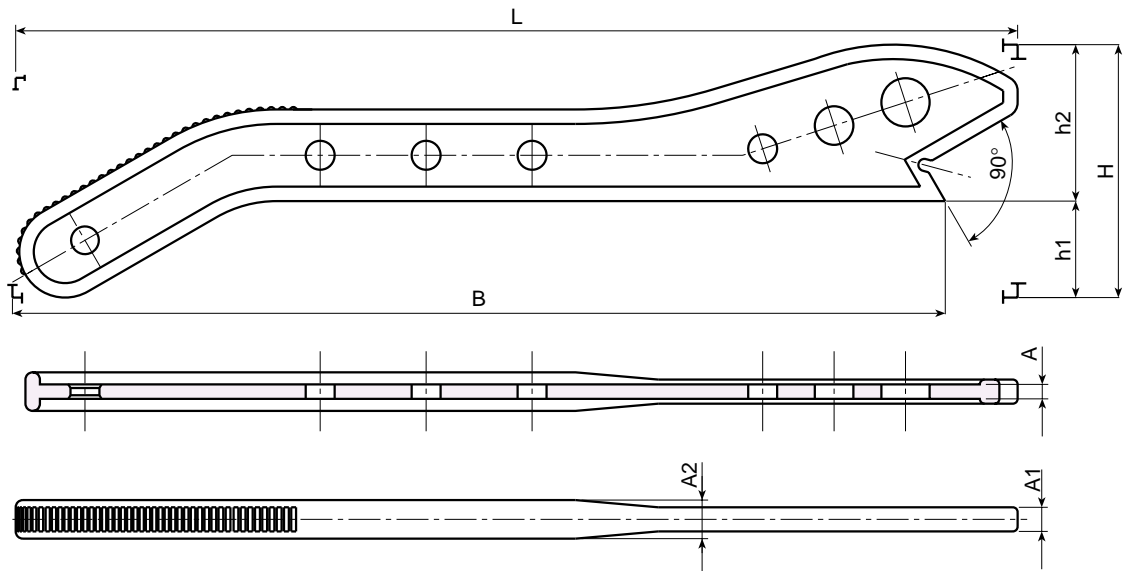
Satin.

COLOUR:

Black (RAL 9011) - 01,
Orange (RAL 2004) - 02,
Yellow (RAL 1007) - 09.

SPECIAL REQUESTS:

- None.
- Product complies with Directive 98/37/EC Annex 1.
- Product complies with UNI EN 1870-1 standard.



Art.	L	B	H	h1	h2	A	A1	A2	Weight (gr)
T252-420-01	415	386	105	40	65	6	10	16	160
T252-420-02	415	386	105	40	65	6	10	16	160
T252-420-09	415	386	105	40	65	6	10	16	160



BOTECO

ART. T253

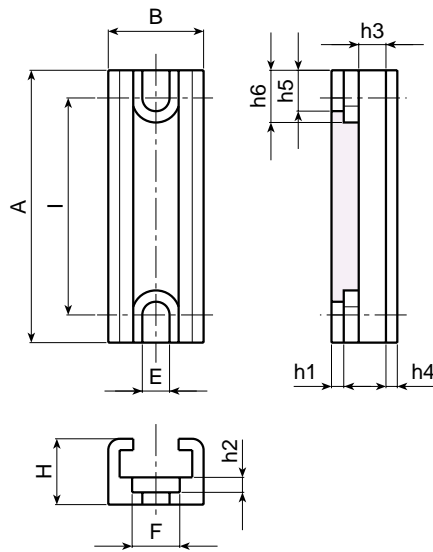
PANEL PUSHER HOLDER

MATERIAL:
Reinforced polyamide.
Oils and greases resistant.

SURFACE:
Satin.

COLOUR:
Black (RAL 9011).

SPECIAL REQUESTS:
• None.



Art.	A	B	H	I	E	F	h1	h2	h3	h4	h5	h6	Weight (gr)
T253-60	60	21,5	14,5	48	6,5	10,5	2,7	3,3	6	2,5	9	11,5	13



ART. T556

CIRCULAR SAW GUARD

MATERIAL:

(1-2) Polycarbonate.

SURFACE:

Satin.

COLOUR:

Orange (RAL 2004).

MAIN INSERTS:

(3) Aluminium rivet AL3810 3,8x10.

(4) Brass threaded through insert.

(5) Yellow passivated steel washer.

(6) Spring pin d.6x30in black oxide treated highyield steel DIN 1481.

(7) Self-tapping brass screw M3x10 DIN 97.

LOCKING LEVER:

Indexed clamping lever art. 523-065 M8x30.

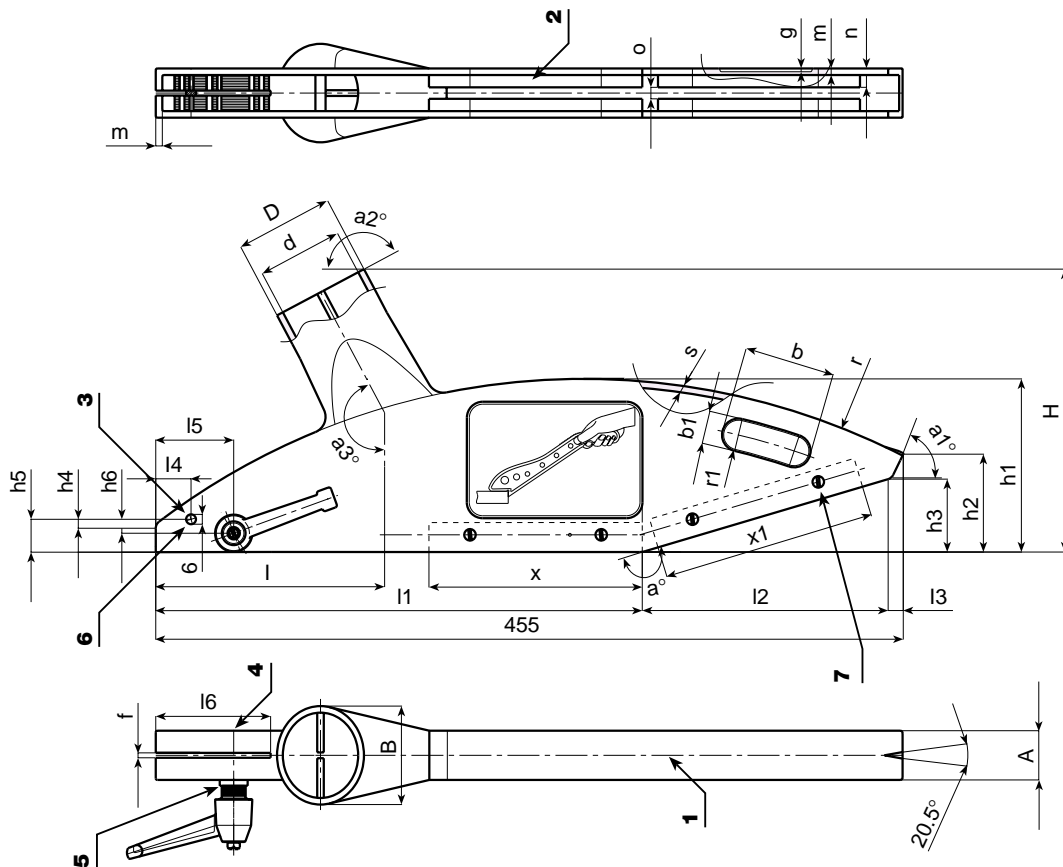
SPECIAL REQUESTS:

It is possible to supply the Guard in yellow (RAL 1007), on request and for quantities.

● Suction tube adapter D. 40 art. T556040.

● Product complies with Directive 98/37/EC Annex 1.

● Product complies with UNI EN 1870-1 standard.



BOTECO

ART. T556040



T556 + T556040

Art.	L	A	B	H	D	d	d1	l	l1	l2	l3	l4	l5	l6	h1	h2	h3	h4	h5	h6
T556-250	315	30	60	147	60	53	6,5	80	245	62	8	10	23,5	42	74	37	24	23	20	10,5
T556-300	457	30	60	172	60	53	6,5	145	297	150	10	21,5	47,5	70	105	60	44,5	14,5	20	11,5

Art.	a	a1	a2	a3	b	b1	f	g	m	n	o	r	r1	s	x	x1	Weight (g)
T556-250	20	60	152	152	44	20,5	4	2	5,5	7	7	290	10	4	-	170	400
T556-300	16	64	152	152	56	21	3	2	4	7	7	430	10	4	130	130	600



BOTECA

ART. T710

RING NUT WITH HANDLE

MATERIAL:

Reinforced polyamide.
Oils and greases resistant.

SURFACE:

Satin.

COLOUR:

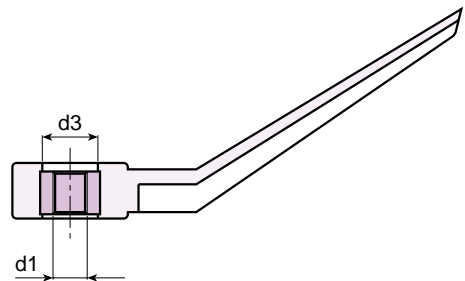
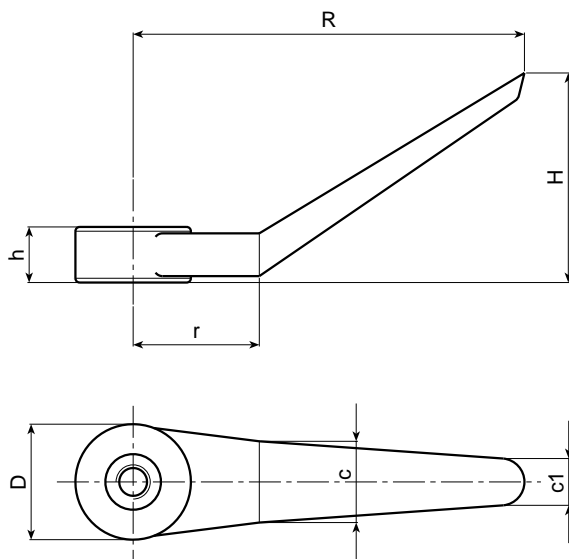
Black (RAL 9011).

MAIN INSERT:

Zinc plated steel right through threaded bush.

SPECIAL REQUESTS:

- It is possible to supply the inserts in different materials, on request and for quantities.
- It is possible to supply colours as shown in the table at page 27, on request and for quantities.



Art.	R	D	H	h	r	c	c1	d3	d1	Weight (gr)
T710-90 M8	90	27	48	14	29	19	12	13,5	M8	27
T710-90 M10	90	27	48	14	29	19	12	13,5	M10	26
T710-90 M12	90	27	48	14	29	19	12	13,5	M12	28

ART. T808

SCREW CAP FOR DOOR

MATERIAL:

Reinforced polyamide.
Oils and greases resistant.

SURFACE:

Satin.

COLOUR:

Black (RAL 9011).

HOLE :

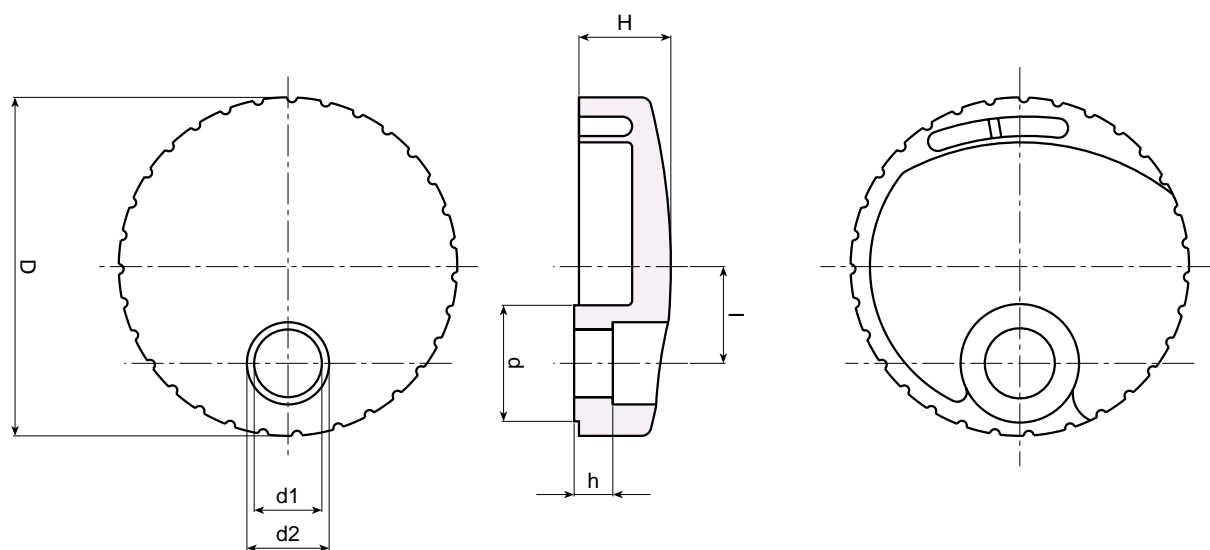
Smooth right through hole obtained by moulding the plastic.

(*) Note: the hole d1 in art. T808-60 is in the centre.



SPECIAL REQUESTS:

- It is possible to supply colours as shown in the table at page 27, on request and for quantities.



Art.	D	H	l	h	d	d1	d2	Weight (gr)
(*) T808-60	60	21	-	13,5	17	6,5	10,5	30
T808-70	70	20	20	8	24	14,5	17	42

ART. T815

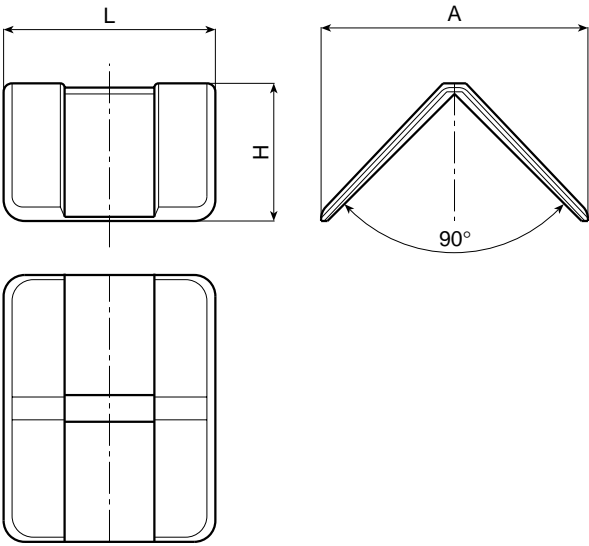
CORNER PROTECTORS

MATERIAL:
Polyethylene.

SURFACE:
Satin.

COLOUR:
Black (RAL 9011).

SPECIAL REQUESTS:
• None.



Art.	L	A	H	Weight (gr)
T815	60	49	32	10

