

ART. L270

T HANDLE WITH THREADED INSERT

MATERIAL:

Reinforced polyamide.
Oils and greases resistant.

SURFACE:

Satin.

COLOUR:

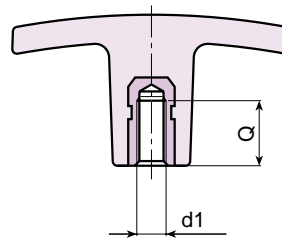
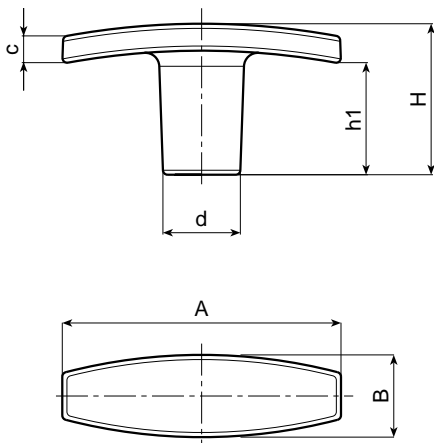
Black (RAL 9011).

MAIN INSERT:

Brass blind threaded bush.

SPECIAL REQUESTS:

- It is possible to supply the inserts in different materials, on request and for quantities.
- It is possible to supply colours as shown in the table at page 19, on request and for quantities.



Art.	A	B	H	h1	c	d	d1	Q	Weight (gr)	F1 (N)
L270-50 M5	50	15	24	17	5	14	M5	12	13	4100
L270-50 M6	50	15	24	17	5	14	M6	10	11	4100
L270-50 M8	50	15	24	17	5	14	M8	14	12	4100
L270-60 M5	60	18	33	24	6	16,5	M5	12	19	5800
L270-60 M6	60	18	33	24	6	16,5	M6	10	16,5	5800
L270-60 M8	60	18	33	24	6	16,5	M8	14	17,5	5800
L270-60 M10	60	18	33	24	6	16,5	M10	21	21	5800
L270-72 M6	72	19	34	20	10	18	M6	15	25	6500
L270-72 M8	72	19	34	20	10	18	M8	20	28	6500
L270-72 M10	72	19	34	20	10	18	M10	21	30	6500
L270-72 M12	72	19	34	20	10	18	M12	17	30	6500



BOTECA

ART. L270 CIN

T HANDLE WITH THREADED STAINLESS STEEL INSERT

INOX

MATERIAL:

Reinforced polyamide.
Oils and greases resistant.

SURFACE:

Satin.

COLOUR:

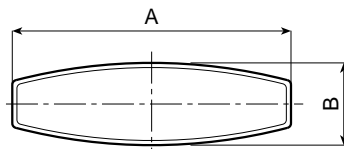
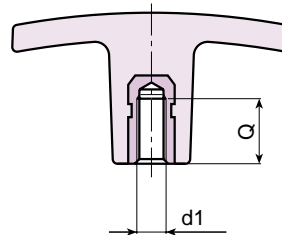
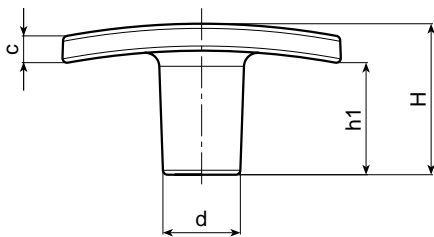
Black (RAL 9011).

MAIN INSERT:

Stainless steel threaded blind bush (AISI 303).

SPECIAL REQUESTS:

- It is possible to supply colours as shown in the table at page 19, on request and for quantities.



Art.	A	B	H	h1	c	d	d1	Q	Weight (gr)	F1 (N)
L270-50 M5 CIN	50	15	24	17	5	14	M05	9	14	4100
L270-50 M6 CIN	50	15	24	17	5	14	M06	9	14	4100
L270-50 M8 CIN	50	15	24	17	5	14	M08	12	16	4100
L270-60 M6 CIN	60	18	33	24	6	16,5	M06	9	20	5800
L270-60 M8 CIN	60	18	33	24	6	16,5	M08	12	21	5800
L270-60 M10 CIN	60	18	33	24	6	16,5	M10	18	24	5800
L270-72 M8 CIN	72	19	34	20	10	18	M08	19	32	6500
L270-72 M10 CIN	72	19	34	20	10	18	M10	18	33	6500
L270-72 M12 CIN	72	19	34	20	10	18	M12	15	34	6500



BOTECA

ART. L271

T HANDLE WITH THREADED STUD

MATERIAL:

Reinforced polyamide.
Oils and greases resistant.

SURFACE:

Satin.

COLOUR:

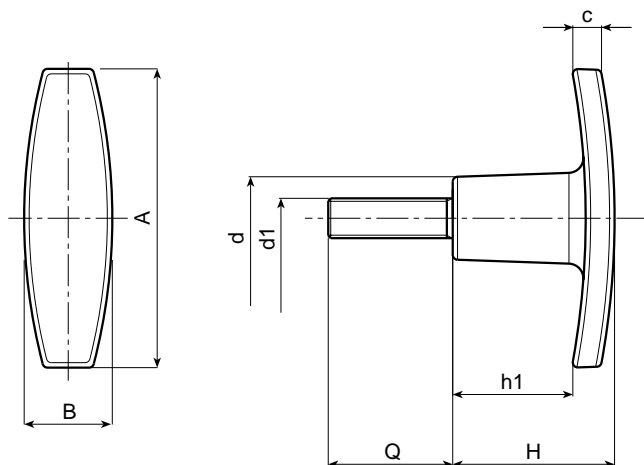
Black (RAL 9011).

MAIN INSERT:

Zinc plated steel threaded stud.

SPECIAL REQUESTS:

- It is possible to supply the inserts with different lengths, on request and for quantities.
- It is possible to supply the inserts in different materials, on request and for quantities.
- It is possible to supply colours as shown in the table at page 19, on request and for quantities.



Art.	A	B	H	h1	c	d	d1	Q	Weight (gr)	F1 (N)
L271-50 M5	50	15	24	17	5	14	M5	20-30-40	13-14-15	4100
L271-50 M6	50	15	24	17	5	14	M6	20-30-40	15-16,5-18	4100
L271-60 M5	60	18	33	24	6	16,5	M5	20-30-40	20-21-22,5	4100
L271-60 M6	60	18	33	24	6	16,5	M6	20-30-40	23-25-27	5800
L271-60 M8	60	18	33	24	6	16,5	M8	20-30-40	27,5-31-34	5800
L271-60 M10	60	18	33	24	6	16,5	M10	20-30-40	30-35-38	5800
L271-72 M6	72	19	34	20	10	18	M6	20-30-40	30-32-34	6500
L271-72 M8	72	19	34	20	10	18	M8	20-30-40-50	36-42-45-48	6500
L271-72 M10	72	19	34	20	10	18	M10	30-40-50	56-61-66	6500
L271-72 M12	72	19	34	20	10	18	M12	30-40-50	58-64-71	6500



BOTECA

ART. L271 CIN

T HANDLE WITH THREADED STAINLESS STEEL STUD

INOX

MATERIAL:

Reinforced polyamide.
Oils and greases resistant.

SURFACE:

Satin.

COLOUR:

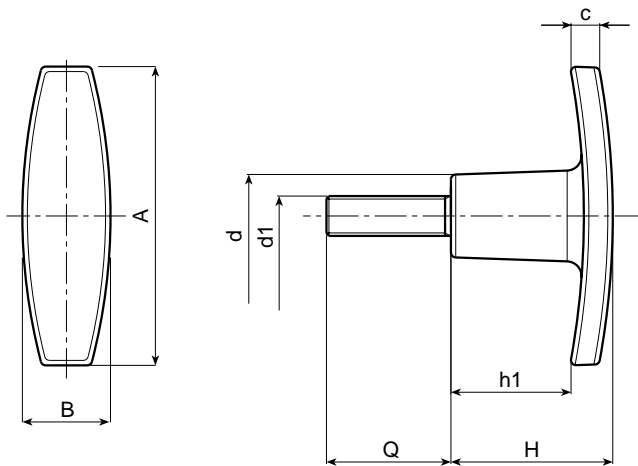
Black (RAL 9011).

MAIN INSERT:

Stainless steel threaded stud (AISI 303).

SPECIAL REQUESTS:

- It is possible to supply the inserts with different lengths, on request and for quantities.
- It is possible to supply colours as shown in the table at page 19, on request and for quantities.



Art.	A	B	H	h1	c	d	d1	Q	Weight (gr)	F1 (N)
L271-50 M5 CIN	50	15	24	17	5	14	M5	30	15	4100
L271-50 M6 CIN	50	15	24	17	5	14	M6	30	17	4100
L271-60 M6 CIN	60	18	33	24	6	16,5	M6	40	25	5800
L271-60 M8 CIN	60	18	33	24	6	16,5	M8	40	31	5800
L271-72 M8 CIN	72	19	34	20	10	18	M8	40	43	6500
L271-72 M10 CIN	72	19	34	20	10	18	M10	40	57	6500
L271-72 M12 CIN	72	19	34	20	10	18	M12	40	65	6500



BOTECA

ART. L272

T HANDLE WITH HOLE THREADED INTO THE PLASTIC

MATERIAL:

Reinforced polyamide.
Oils and greases resistant.

SURFACE:

Satin.

COLOUR:

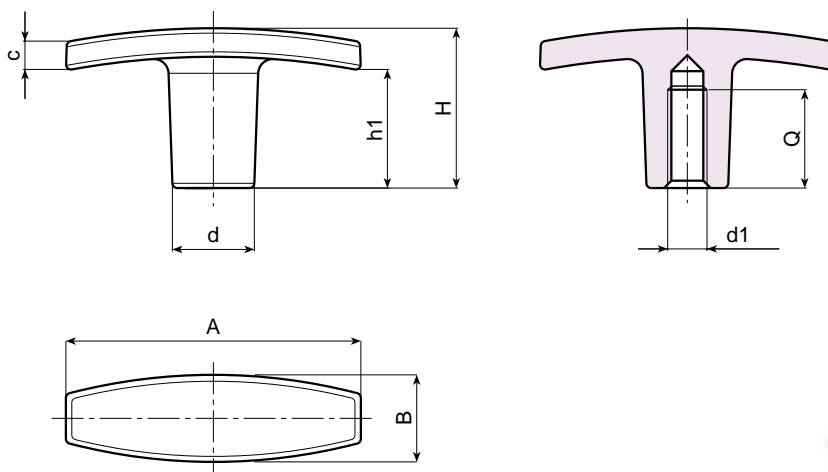
Black (RAL 9011).

HOLE :

Female threaded blind hole obtained by moulding the plastic.

SPECIAL REQUESTS:

- It is possible to supply colours as shown in the table at page 19, on request and for quantities.



Art.	A	B	H	h1	c	d	d1	Q	Weight (gr)	F1 (N)
L272-50 M5	50	15	24	17	5	14	M5	20	8	2800
L272-50 M6	50	15	24	17	5	14	M6	20	8	2800
L272-50 M8	50	15	24	17	5	14	M8	20	7	2800
L272-60 M5	60	18	33	24	6	16,5	M5	19	14	3000
L272-60 M6	60	18	33	24	6	16,5	M6	19	14	3000
L272-60 M8	60	18	33	24	6	17	M8	19	14	3000
L272-60 M10	60	18	33	24	6	18	M10	19	13	3000
L272-72 M8	72	19	34	20	10	18	M8	21	20	4600
L272-72 M10	72	19	34	20	10	18	M10	21	20	4600
L272-72 M12	72	19	34	20	10	18	M12	20	19	4600



BOTECA

ART. L273

T HANDLE WITH SMOOTH HOLE INSERT

MATERIAL:

Reinforced polyamide.
Oils and greases resistant.

SURFACE:

Satin.

COLOUR:

Black (RAL 9011).

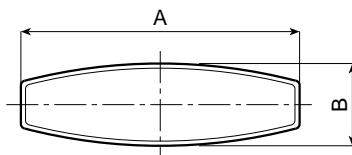
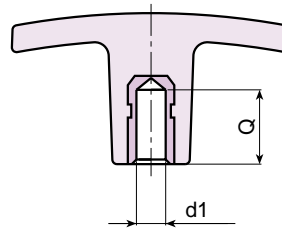
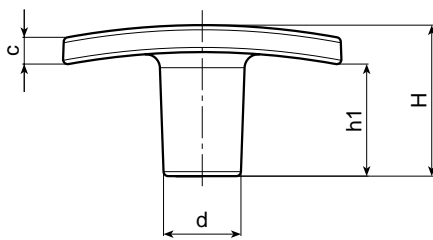
MAIN INSERT:

Brass blind bored bush with H7 tolerance.
(*) Zinc plated steel blind bored bush with H7 tolerance.



SPECIAL REQUESTS:

- It is possible to supply the inserts with d1 diameter by customer design, on request and for quantities.
- It is possible to supply the inserts in different materials, on request and for quantities.
- It is possible to supply colours as shown in the table at page 19, on request and for quantities.



Art.	A	B	H	h1	c	d	d1 (H7)	Q	Weight (gr)	F1 (N)
L273-50 6	50	15	24	17	5	14	6	16	12	4100
L273-60 6	60	18	33	24	6	16,5	6	16	19	5800
L273-60 8	60	18	33	24	6	16,5	8	15	21	5800
L273-72 8	72	19	34	20	10	18	8	15	28	6500
L273-72 10	72	19	34	20	10	18	(*) 10	17	30	6500



BOTECA

ART. L747

28mm. WINGNUT WITH THREADED INSERT

MATERIAL:

Reinforced polyamide.
Oils and greases resistant.

SURFACE:

Satin.

COLOUR:

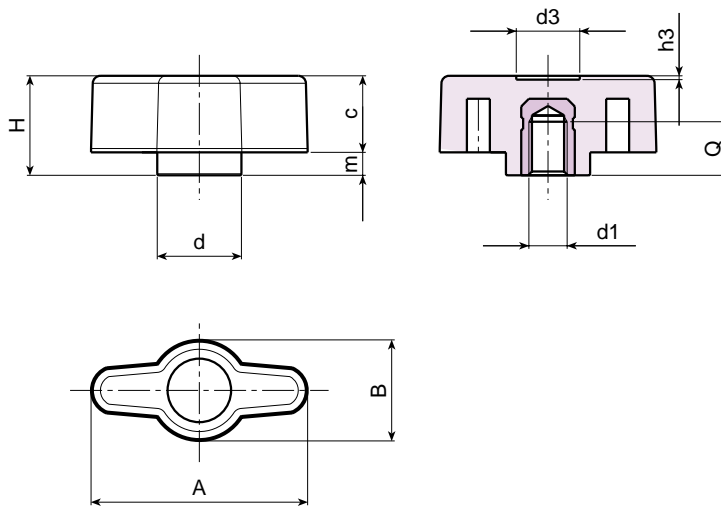
Black (RAL 9011).

MAIN INSERT:

Brass blind threaded bush.

SPECIAL REQUESTS:

- It is possible to supply the inserts in different materials, on request and for quantities.
- It is possible to supply colours as shown in the table at page 19, on request and for quantities.



Art.	A	B	H	m	c	d	d3	h3	d1	Q	Weight (gr)
L747-28 M4	28	13	13	3	10	11	8	0,5	M4	8	4
L747-28 M5	28	13	13	3	10	11	8	0,5	M5	8	5
L747-28 M6	28	13	13	3	10	11	8	0,5	M6	8	6



BOTECA

ART. L748

28mm. WINGNUT WITH RIGHT THROUGH THREADED INSERT

MATERIAL:

Reinforced polyamide.
Oils and greases resistant.

SURFACE:

Satin.

COLOUR:

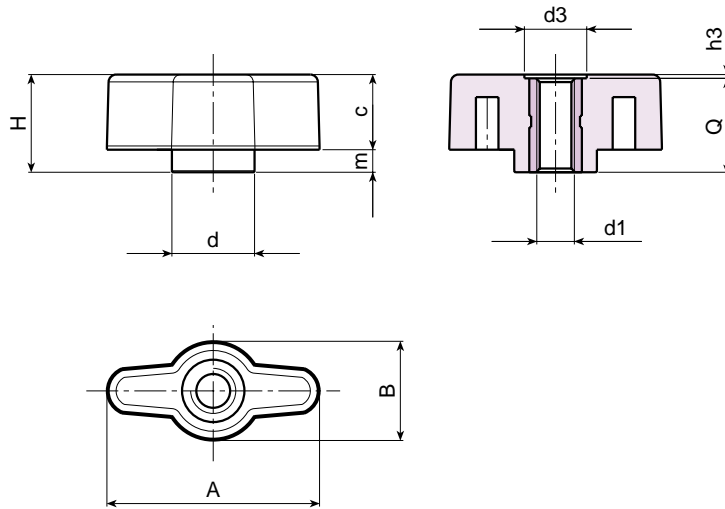
Black (RAL 9011).

MAIN INSERT:

Brass right through threaded bush.

SPECIAL REQUESTS:

- It is possible to supply the inserts in different materials, on request and for quantities.
- It is possible to supply colours as shown in the table at page 19, on request and for quantities.



Art.	A	B	H	m	c	d	d3	h3	d1	Q	Weight (gr)
L748-28 M4	28	13	13	3	10	11	8	0,5	M4	12,5	5
L748-28 M5	28	13	13	3	10	11	8	0,5	M5	12,5	5
L748-28 M6	28	13	13	3	10	11	8	0,5	M6	12,5	6

W I N G N U T S A N D T H R E A D E D I N S E R T S



BOTECA

ART. L749

28mm. WINGNUT WITH THREADED STUD

MATERIAL:

Reinforced polyamide.
Oils and greases resistant.

SURFACE:

Satin.

COLOUR:

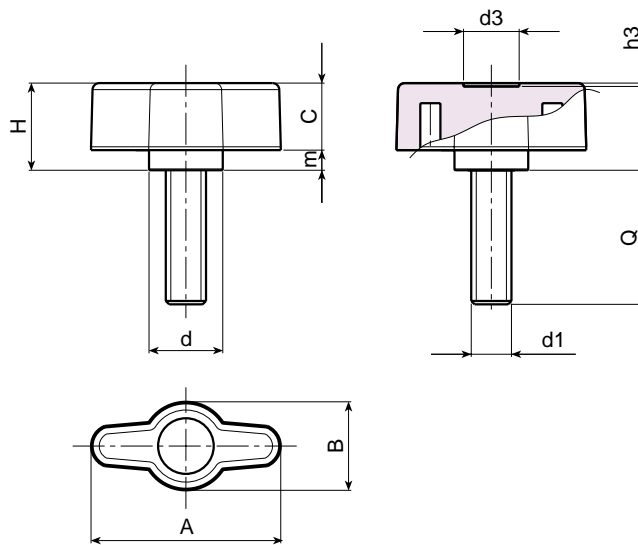
Black (RAL 9011).

MAIN INSERT:

Zinc plated steel threaded stud.

SPECIAL REQUESTS:

- It is possible to supply the inserts with different lengths, on request and for quantities.
- It is possible to supply the inserts in different materials, on request and for quantities.
- It is possible to supply colours as shown in the table at page 19, on request and for quantities.



Art.	A	B	H	m	c	d	d3	h3	d1	Q	Weight (gr)
L749-28 M4	28	13	13	3	10	11	8	0,5	M4	10-16-20-25-30-40-50	5,5-6-6,5-7-7,5-8,5
L749-28 M5	28	13	13	3	10	11	8	0,5	M5	10-16-20-25-30-40-50	7-7,5-8-8,5-9-10-11
L749-28 M6	28	13	13	3	10	11	8	0,5	M6	10-16-20-25-30-40-50	7,5-8,5-9-10-11-12,5-14



BOTECA

ART. L750

WINGNUT WITH THREADED INSERT

MATERIAL:

Reinforced polyamide.
Oils and greases resistant.

SURFACE:

Satin.

COLOUR:

Black (RAL 9011).
Orange (RAL 2004).

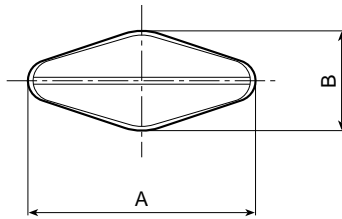
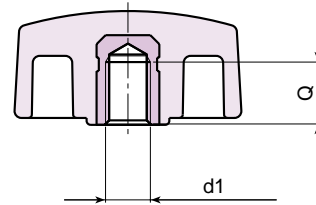
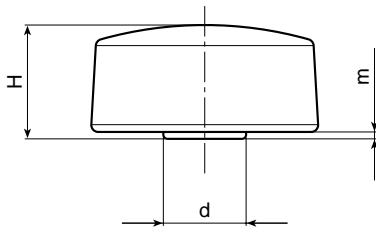
MAIN INSERT:

Brass blind threaded bush.



SPECIAL REQUESTS:

- It is possible to supply the inserts in different materials, on request and for quantities.
- It is possible to supply colours as shown in the table at page 19, on request and for quantities.



Art.	A	B	H	m	d	d1	Q	Weight (gr)
L750-32 M5	33	15	16,5	1	12	M5	7	7
L750-32 M6	33	15	16,5	1	12	M6	7	6
L750-32 M8	33	15	16,5	1	12	M8	7	6
L750-48 M6	48	15	17	1	12,5	M6	7	10
L750-48 M8	48	15	17	1	12,5	M8	7	10



ART. L750 CIN

WINGNUT WITH THREADED STAINLESS STEEL INSERT

INOX

MATERIAL:

Reinforced polyamide.
Oils and greases resistant.

SURFACE:

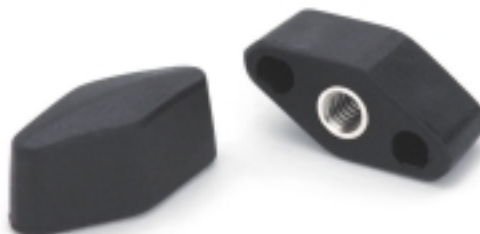
Satin.

COLOUR:

Black (RAL 9011).

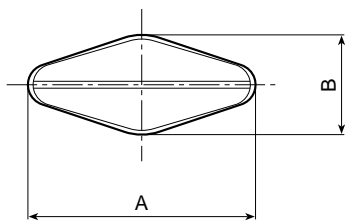
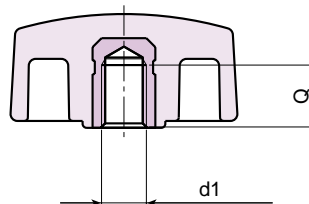
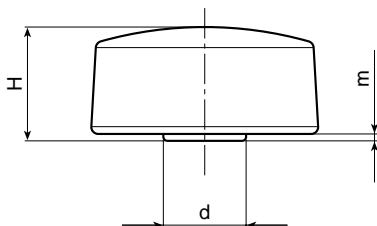
MAIN INSERT:

Stainless steel threaded blind bush (AISI 303).



SPECIAL REQUESTS:

- It is possible to supply colours as shown in the table at page 19, on request and for quantities.



Art.	A	B	H	m	d	d1	Q	Weight (gr)
L750-32 M5 CIN	33	15	16,5	1	12	M5	7	9
L750-32 M6 CIN	33	15	16,5	1	12	M6	7	8
L750-32 M8 CIN	33	15	16,5	1	12	M8	7	8
L750-48 M8 CIN	48	15	17	1	12,5	M8	7	8

WINGNUTS AND T HANDLES



BOTECA

ART. L751

WINGNUT WITH THREADED STUD

MATERIAL:

Reinforced polyamide.
Oils and greases resistant.

SURFACE:

Satin.

COLOUR:

Black (RAL 9011).
Orange (RAL 2004).

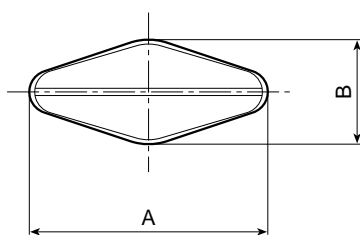
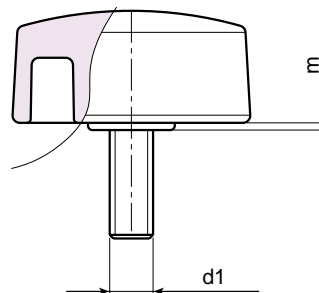
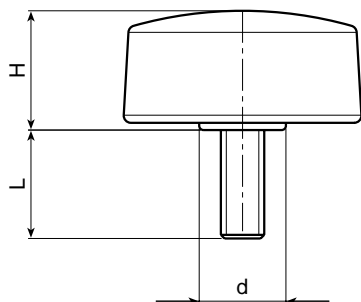
MAIN INSERT:

Zinc plated steel threaded stud.



SPECIAL REQUESTS:

- It is possible to supply the inserts with different lengths, on request and for quantities.
- It is possible to supply the inserts in different materials, on request and for quantities.
- It is possible to supply colours as shown in the table at page 19, on request and for quantities.



Art.	A	B	H	m	d	d1	Q	Weight (gr)
L751-32 M5	33	15	15,5	1	12	M5	10-16-20-25-30-40-50	7-8-8,5-9-11-15-18,5
L751-32 M6	33	15	15,5	1	12	M6	10-16-20-25-30-40-50	9-11-12-12-12,5-15,5-19
L751-32 M8	33	15	15,5	1	12	M8	16-20-25-30-35-40-50	14,5-16-17,5-19-20,5-22-26
L751-48 M6	48	15	17	1	12,5	M6	10-16-20-25-30-40-50	13-15-16-17-17,5-19-22
L751-48 M8	48	15	17	1	12,5	M8	16-20-25-30-35-40	18-20-21,5-23-25-27



BOTECA

ART. L751 CIN

WINGNUT WITH THREADED STAINLESS STEEL STUD

INOX

MATERIAL:

Reinforced polyamide.
Oils and greases resistant.

SURFACE:

Satin.

COLOUR:

Black (RAL 9011).

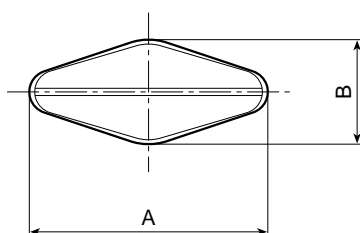
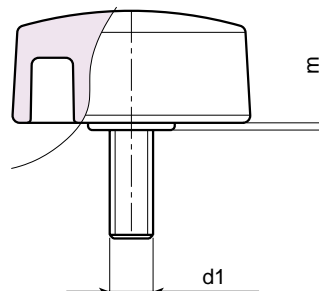
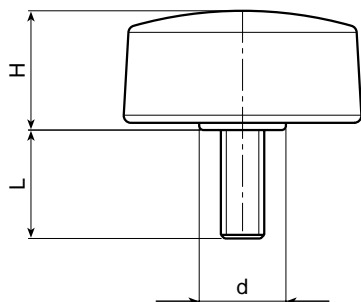
MAIN INSERT:

Stainless steel threaded stud (AISI 303).



SPECIAL REQUESTS:

- It is possible to supply the inserts with different lengths, on request and for quantities.
- It is possible to supply colours as shown in the table at page 19, on request and for quantities.



Art.	A	B	H	m	d	d1	Q	Weight (gr)
L751-32 M6 CIN	33	15	15,5	1	12	M6	16-20-25-30-40	9-9,5-10-12-16
L751-32 M8 CIN	33	15	15,5	1	12	M8	16-20-30-40	12,5-13,5-15-17
L751-48 M6 CIN	48	15	17	1	12,5	M6	20-30-40	17-18-19-22
L751-48 M8 CIN	48	15	17	1	12,5	M8	20-30-40	22-25,5-28



BOTECA

ART. L754

LARGE WINGNUT WITH THREADED INSERT

MATERIAL:

Reinforced polyamide.
Oils and greases resistant.

SURFACE:

Satin.

COLOUR:

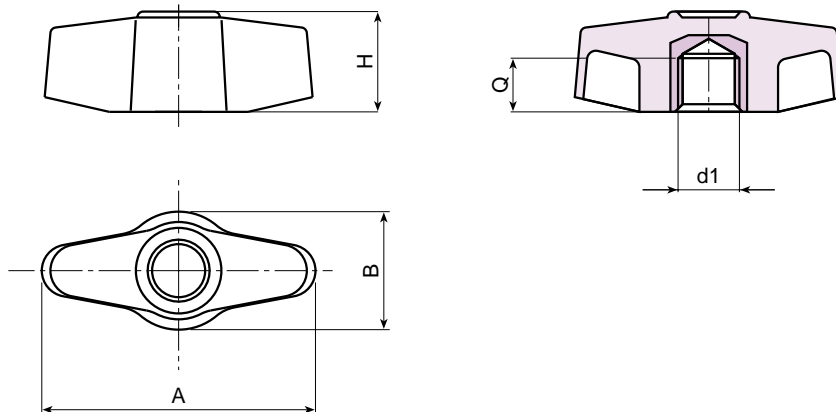
Black (RAL 9011).

MAIN INSERT:

Brass blind threaded bush.

SPECIAL REQUESTS:

- It is possible to supply the inserts in different materials, on request and for quantities.
- It is possible to supply colours as shown in the table at page 19, on request and for quantities.



Art.	A	B	H	d1	Q	Weight (gr)
L754-48 M6	45	20	17	M6	7	11
L754-48 M8	45	20	17	M8	7	11
L754-48 M10	45	20	17	M10	6	12



ART. L755

LARGE WINGNUT WITH RIGHT THROUGH THREADED INSERT

MATERIAL:

Reinforced polyamide.
Oils and greases resistant.

SURFACE:

Satin.

COLOUR:

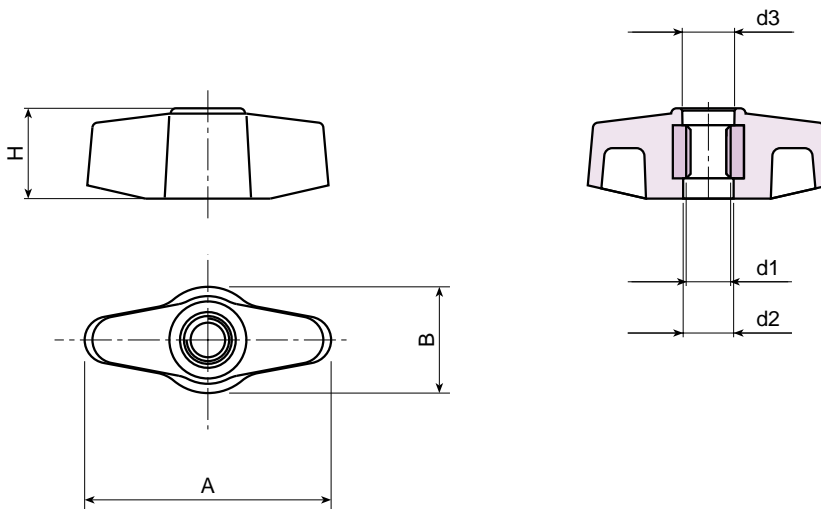
Black (RAL 9011).

MAIN INSERT:

Zinc plated steel right through threaded bush.

SPECIAL REQUESTS:

- It is possible to supply the inserts in different materials, on request and for quantities.
- It is possible to supply colours as shown in the table at page 19, on request and for quantities.



Art.	A	B	H	d1	d2	d3	Weight (gr)
L755-48 M6	45	20	17	M6	9,5	10	17
L755-48 M8	45	20	17	M8	9,5	10	16



BOTECA

ART. L756

LARGE WINGNUT WITH THREADED STUD

MATERIAL:

Reinforced polyamide.
Oils and greases resistant.

SURFACE:

Satin.

COLOUR:

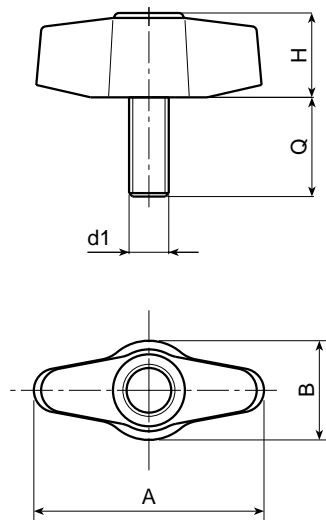
Black (RAL 9011).

MAIN INSERT:

Zinc plated steel threaded stud.

SPECIAL REQUESTS:

- It is possible to supply the inserts with different lengths, on request and for quantities.
- It is possible to supply the inserts in different materials, on request and for quantities.
- It is possible to supply colours as shown in the table at page 19, on request and for quantities.



Art.	A	B	H	d1	Q	Weight (gr)
L756-48 M6	45	20	17	M6	20-25-30	15-15,5-16
L756-48 M8	45	20	17	M8	16-20-25-30-35-40-50	17-18,5-20-21,5-23-24,5-26
L756-48 M10	45	20	17	M10	20-25-30-40	26-28,5-30-35

ART. L803

“EUROMODEL” WINGNUT WITH THREADED THROUGH INSERT

MATERIAL:

Reinforced polyamide.
Oils and greases resistant.

SURFACE:

Satin.

COLOUR:

Black (RAL 9011).

CENTRAL CAP:

Grey ABS (RAL 7035 code 13).

ALTERNATIVE CAP COLOUR:

Orange (RAL 2004 cod. 02).
Blue (RAL 5015 cod. 07).
Yellow (RAL 1021 cod. 10).
Red (RAL 3000 cod. 16).
Green (RAL 6024 cod. 17).
Black (RAL 9011 cod. 01).

MAIN INSERT:

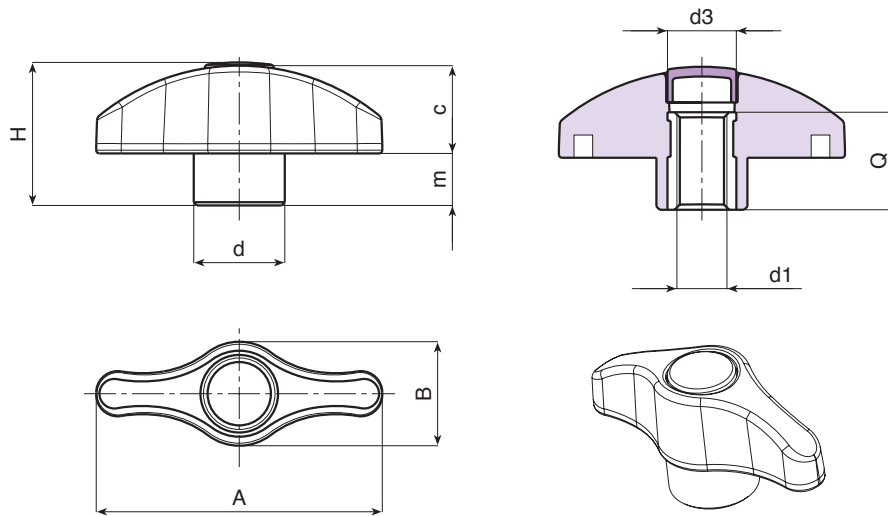
Brass right through threaded bush.

**PROTECTED
MODEL**



SPECIAL REQUESTS:

- It is possible to supply the inserts in different materials, on request and for quantities.
- It is possible to supply the wingnuts with colours as shown in the table at page 19 (L family), on request and for quantities.



Art.	A	B	H	m	c	d	d3	d1	Q	Weight (gr)
L80344.TM050113	44	16	22	8	14	14	10	M05	15	10
L80344.TM060113	44	16	22	8	14	14	10	M06	15	10
L80344.TM080113	44	16	22	8	14	14	10	M08	15	11
L80352.TM050113	52	19	26	9,5	16,5	17	13	M05	18	15
L80352.TM060113	52	19	26	9,5	16,5	17	13	M06	18	15
L80352.TM080113	52	19	26	9,5	16,5	17	13	M08	18	16
L80352.TM100113	52	19	26	9,5	16,5	17	13	M10	18	16
L80367.TM060113	67	24	32,5	11	21,5	21	16	M06	18	26
L80367.TM080113	67	24	32,5	11	21,5	21	16	M08	18	26
L80367.TM100113	67	24	32,5	11	21,5	21	16	M10	18	27
L80367.TM120113	67	24	32,5	11	21,5	21	16	M12	18	27



ART. L804

“EUROMODEL” WINGNUT WITH THREADED STUD

MATERIAL:

Reinforced polyamide.
Oils and greases resistant.

SURFACE:

Satin.

COLOUR:

Black (RAL 9011).

CENTRAL CAP:

Grey ABS (RAL 7035 code 13).

ALTERNATIVE CAP COLOUR:

Orange (RAL 2004 cod. 02).
Blue (RAL 5015 cod. 07).
Yellow (RAL 1021 cod. 10).
Red (RAL 3000 cod. 16).
Green (RAL 6024 cod. 17).
Black (RAL 9011 cod. 01).

MAIN INSERT:

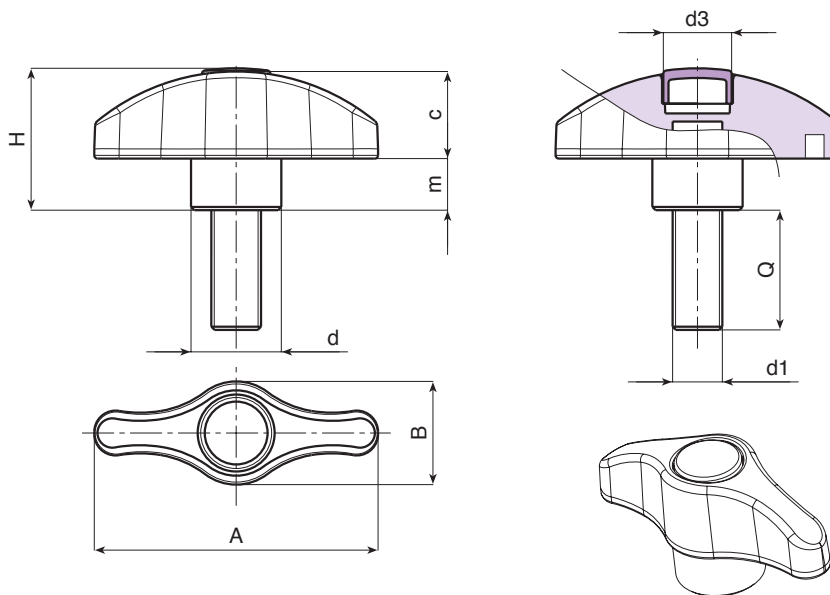
Zinc plated steel threaded stud.
Maximum mouldable length:
L807-44: 80 mm.
L807-52: 80 mm.
L807-67: 100 mm.

**PROTECTED
MODEL**



SPECIAL REQUESTS:

- It is possible to supply the inserts with different lengths, on request and for quantities.
- It is possible to supply the inserts in different materials, on request and for quantities.
- It is possible to supply the wingnuts with colours as shown in the table at page 19 (L family), on request and for quantities.



Art.	A	B	H	m	c	d	d3	d1	Q	Weight (gr)
L80444.TM05X..0113	44	16	22	8	14	14	10	M05	16-20-25-30-40-50	11-11,5-12-12,5-13,5-14,5
L80444.TM06X..0113	44	16	22	8	14	14	10	M06	16-20-25-30-40-50	12-13-14-15-16-17
L80444.TM08X..0113	44	16	22	8	14	14	10	M08	16-20-25-30-40-50	19-20,5-22-23,5-26-29
L80452.TM06X..0113	52	19	26	9,5	16,5	17	13	M06	16-20-25-30-40-50	17-18-19-20-21-22
L80452.TM08X..0113	52	19	26	9,5	16,5	17	13	M08	16-20-25-30-40-50	24-25,5-27-28,5-31-34
L80452.TM10X..0113	52	19	26	9,5	16,5	17	13	M10	20-25-30-40-50	32-35-38-42-47
L80467.TM06X..0113	67	24	32,5	11	21,5	21	16	M06	16-20-25-30-40-50	25-27-28-28,5-30-31,5
L80467.TM08X..0113	67	24	32,5	11	21,5	21	16	M08	16-20-25-30-40-50	32-33,5-35-36,5-39,5-42,5
L80467.TM10X..0113	67	24	32,5	11	21,5	21	16	M10	20-25-30-40-50-60	39,5-42-44,5-49,5-54,5-59,5
L80467.TM12X..0113	67	24	32,5	11	21,5	21	16	M12	20-25-30-40-50-60	45-49-52-59-66-73



ART. L805

“EUROMODEL” WINGNUT WITH SMOOTH HOLE INSERT

MATERIAL:

Reinforced polyamide.
Oils and greases resistant.

SURFACE:

Satin.

COLOUR:

Black (RAL 9011).

CENTRAL CAP:

Grey ABS (RAL 7035 code 13).

ALTERNATIVE CAP COLOUR:

Orange (RAL 2004 cod. 02).
Blue (RAL 5015 cod. 07).
Yellow (RAL 1021 cod. 10).
Red (RAL 3000 cod. 16).
Green (RAL 6024 cod. 17).
Black (RAL 9011 cod. 01).

MAIN INSERT:

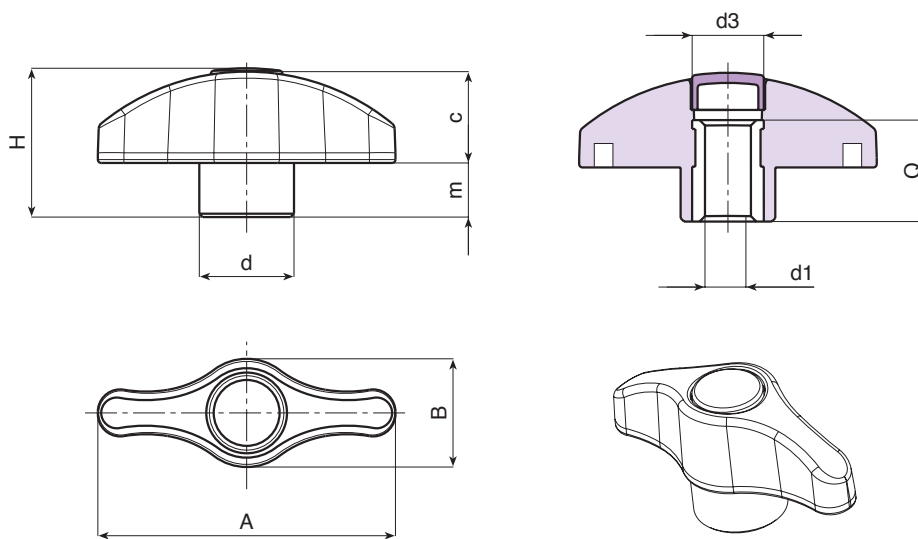
Brass right through bored bush with H7 tolerance.

**PROTECTED
MODEL**



SPECIAL REQUESTS:

- It is possible to supply the inserts in different materials, on request and for quantities.
- It is possible to supply the wingnuts with colours as shown in the table at page 19 (L family), on request and for quantities.



Art.	A	B	H	m	c	d	d3	d1	Q	Weight (gr)
L80544.TD050113	44	16	22	8	14	14	10	D05	15	9
L80544.TD060113	44	16	22	8	14	14	10	D06	15	9
L80544.TD080113	44	16	22	8	14	14	10	D08	15	10
L80552.TD050113	52	19	26	9,5	16,5	17	13	D05	18	14
L80552.TD060113	52	19	26	9,5	16,5	17	13	D06	18	14
L80552.TD080113	52	19	26	9,5	16,5	17	13	D08	18	15
L80552.TD100113	52	19	26	9,5	16,5	17	13	D10	18	16
L80567.TD060113	67	24	32,5	11	21,5	21	16	D06	18	25
L80567.TD080113	67	24	32,5	11	21,5	21	16	D08	18	25
L80567.TD100113	67	24	32,5	11	21,5	21	16	D10	18	26
L80567.TD120113	67	24	32,5	11	21,5	21	16	D12	18	26



ART. L807

“EUROMODEL” WINGNUT WITH THREADED STUD WITHOUT CAP

MATERIAL:

Reinforced polyamide.
Oils and greases resistant.

SURFACE:

Satin.

COLOUR:

Black (RAL 9011).

MAIN INSERT:

Zinc plated steel threaded stud.

Maximum mouldable length:

L807-44: 80 mm.

L807-52: 80 mm.

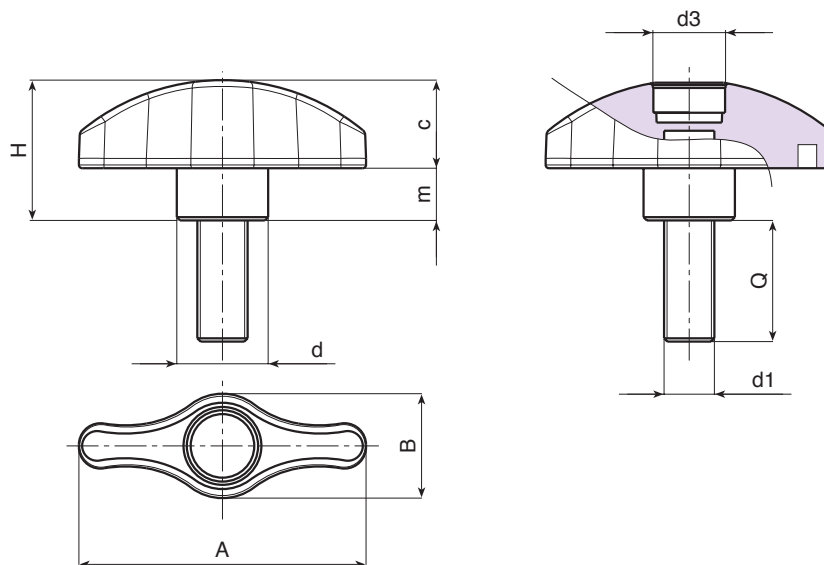
L807-67: 100 mm.

**PROTECTED
MODEL**



SPECIAL REQUESTS:

- It is possible to supply the inserts with different lengths, on request and for quantities.
- It is possible to supply the inserts in different materials, on request and for quantities.
- It is possible to supply the wingnuts with colours as shown in the table at page 19 (L family), on request and for quantities.



Art.	A	B	H	m	c	d	d3	d1	Q	Weight (gr)
L80744.TM05X..01	44	16	21,5	8	14	14	10	M05	16-20-25-30-40-50	10-10,5-11-11,5-12,5-13,5
L80744.TM06X..01	44	16	21,5	8	14	14	10	M06	16-20-25-30-40-50	11-12-13-14-15-16
L80744.TM08X..01	44	16	21,5	8	14	14	10	M08	16-20-25-30-40-50	18-19,5-21-22,5-25-28
L80752.TM06X..01	52	19	25,5	9,5	16,5	17	13	M06	16-20-25-30-40-50	16-17-18-19-20-21
L80752.TM08X..01	52	19	25,5	9,5	16,5	17	13	M08	16-20-25-30-40-50	23-24,5-26-27,5-30-33
L80752.TM10X..01	52	19	25,5	9,5	16,5	17	13	M10	20-25-30-40-50	31-34-37-41-46
L80767.TM06X..01	67	24	32	11	21,5	21	16	M06	16-20-25-30-40-50	24-26-27-27,5-29-30,5
L80767.TM08X..01	67	24	32	11	21,5	21	16	M08	16-20-25-30-40-50	31-32,5-34-35,5-38,5-41,5
L80767.TM10X..01	67	24	32	11	21,5	21	16	M10	20-25-30-40-50-60	38,5-41-43,5-48,5-53,5-58,5
L80767.TM12X..01	67	24	32	11	21,5	21	16	M12	20-25-30-40-50-60	44-48-51-58-65-72

ART. L806

“EUROMODEL” WINGNUT WITH THREADED THROUGH INSERT WITHOUT CAP

MATERIAL:

Reinforced polyamide.
Oils and greases resistant.

SURFACE:

Satin.

COLOUR:

Black (RAL 9011).

MAIN INSERT:

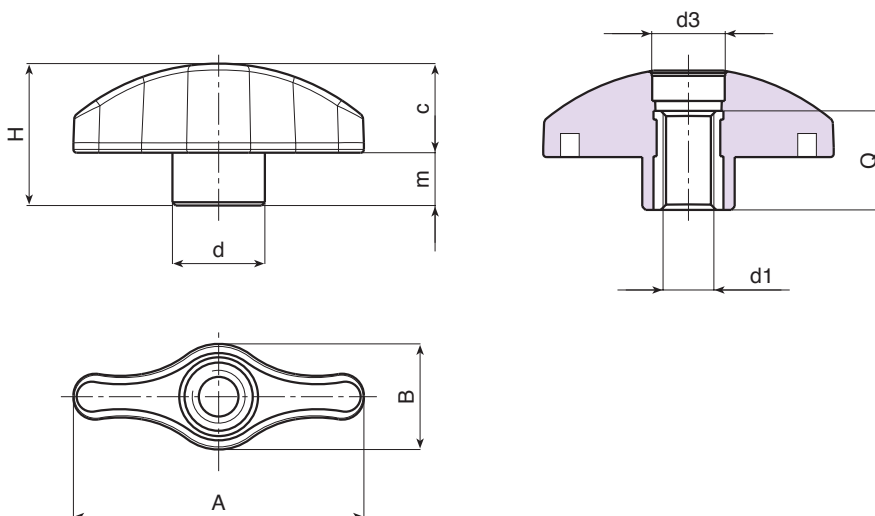
Brass right through threaded bush.

**PROTECTED
MODEL**



SPECIAL REQUESTS:

- It is possible to supply the inserts in different materials, on request and for quantities.
- It is possible to supply the wingnuts with colours as shown in the table at page 19 (L family), on request and for quantities.



Art.	A	B	H	m	c	d	d3	d1	Q	Weight (gr)
L80644.TM0501	44	16	21,5	8	14	14	10	M05	15	9
L80644.TM0601	44	16	21,5	8	14	14	10	M06	15	9
L80644.TM0801	44	16	21,5	8	14	14	10	M08	15	10
L80652.TM0501	52	19	25,5	9,5	16,5	17	13	M05	18	14
L80652.TM0601	52	19	25,5	9,5	16,5	17	13	M06	18	15
L80652.TM0801	52	19	25,5	9,5	16,5	17	13	M08	18	16
L80652.TM1001	52	19	25,5	9,5	16,5	17	13	M10	18	16
L80667.TM0601	67	24	32	11	21,5	21	16	M06	18	25
L80667.TM0801	67	24	32	11	21,5	21	16	M08	18	25
L80667.TM1001	67	24	32	11	21,5	21	16	M10	18	26
L80667.TM1201	67	24	32	11	21,5	21	16	M12	18	26

ART. L808

“EUROMODEL” WINGNUT WITH SMOOTH HOLE INSERT WITHOUT CAP

MATERIAL:

Reinforced polyamide.
Oils and greases resistant.

SURFACE:

Satin.

COLOUR:

Black (RAL 9011).

MAIN INSERT:

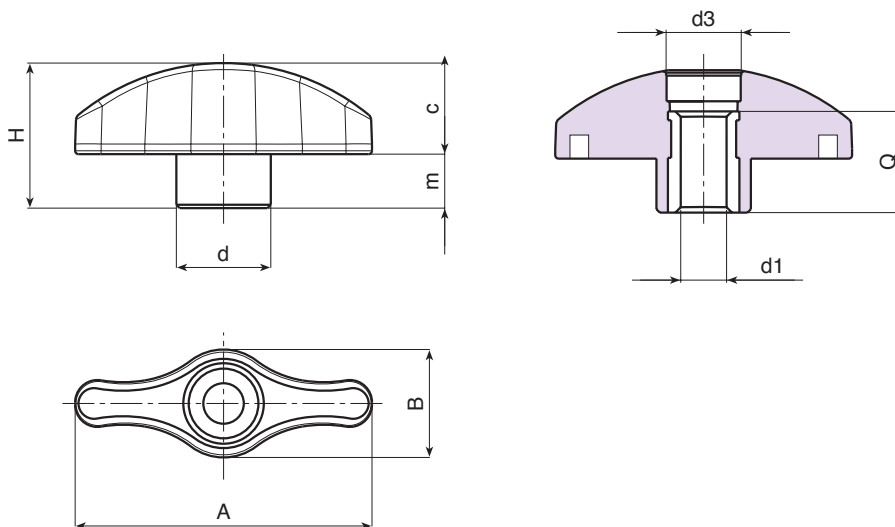
Brass right through bored bush with H7 tolerance.

**PROTECTED
MODEL**



SPECIAL REQUESTS:

- It is possible to supply the inserts in different materials, on request and for quantities.
- It is possible to supply the wingnuts with colours as shown in the table at page 19 (L family), on request and for quantities.



Art.	A	B	H	m	c	d	d3	d1	Q	Weight (gr)
L80844.TD0501	44	16	21,5	8	14	14	10	D05	15	8
L80844.TD0601	44	16	21,5	8	14	14	10	D06	15	8
L80844.TD0801	44	16	21,5	8	14	14	10	D08	15	9
L80852.TD0501	52	19	25,5	9,5	16,5	17	13	D05	18	13
L80852.TD0601	52	19	25,5	9,5	16,5	17	13	D06	18	13
L80852.TD0801	52	19	25,5	9,5	16,5	17	13	D08	18	14
L80852.TD1001	52	19	25,5	9,5	16,5	17	13	D10	18	15
L80867.TD0601	67	24	32	11	21,5	21	16	D06	18	24
L80867.TD0801	67	24	32	11	21,5	21	16	D08	18	24
L80867.TD1001	67	24	32	11	21,5	21	16	D10	18	25
L80867.TD1201	67	24	32	11	21,5	21	16	D12	18	25