

ART. H171

KNURLED HANDWHEEL WITH SHORT HUB AND THREADED STUD

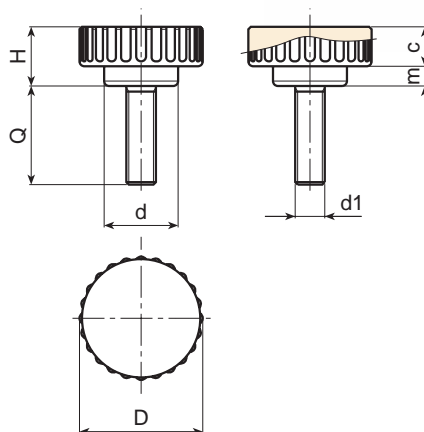


MATERIAL:
Reinforced polyamide.
Oils and greases resistant.

SURFACE:
Satin.

COLOUR:
Black (RAL 9011).

MAIN INSERT:
Zinc plated steel threaded stud.



SPECIAL REQUESTS:

- It is possible to supply the inserts with different lengths, on request and for quantities.

Art.	D	H	d	m	c	d1	Q	Weight (gr)
H171-25 M06	25	12	15,5	4	8	M06	10-20-30-40	14-15-16-17,5
H171-25 M08	25	12	15,5	4	8	M08	16-20-30-40	14,5-15,5-16-18

ART. H171 CON

KNURLED HANDWHEEL WITH SHORT HUB AND THREADED BLIND INSERT

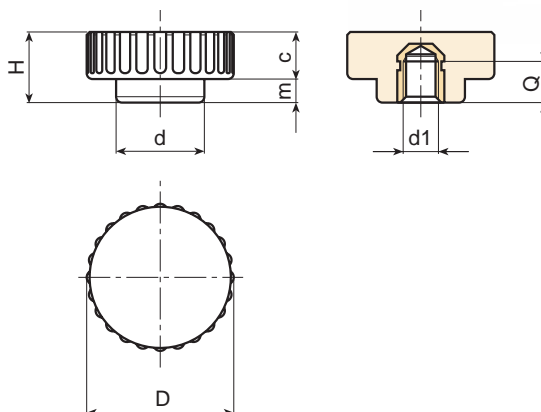


MATERIAL:
Reinforced polyamide.
Oils and greases resistant.

SURFACE:
Satin.

COLOUR:
Black (RAL 9011).

MAIN INSERT:
Brass blind threaded bush.



SPECIAL REQUESTS:

- None.

Art.	D	H	d	m	c	d1	Q	Weight (gr)
H171-25 M06 CON	25	12	15,5	4	8	M06	7	7
H171-25 M08 CON	25	12	15,5	4	8	M08	7	8



BOTECA

ART. H171

KNURLED HANDWHEEL WITH SHORT HUB AND THREADED STUD

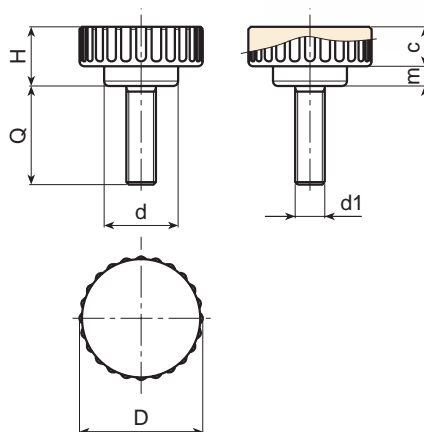


MATERIAL:
Reinforced polyamide.
Oils and greases resistant.

SURFACE:
Satin.

COLOUR:
Black (RAL 9011).

MAIN INSERT:
Zinc plated steel threaded stud.



SPECIAL REQUESTS:

- It is possible to supply the inserts with different lengths, on request and for quantities.

Art.	D	H	d	m	c	d1	Q	Weight (gr)
H171-25 M06	25	12	15,5	4	8	M06	10-20-30-40	14-15-16-17,5
H171-25 M08	25	12	15,5	4	8	M08	16-20-30-40	14,5-15,5-16-18

ART. H171 CON

KNURLED HANDWHEEL WITH SHORT HUB AND THREADED BLIND INSERT

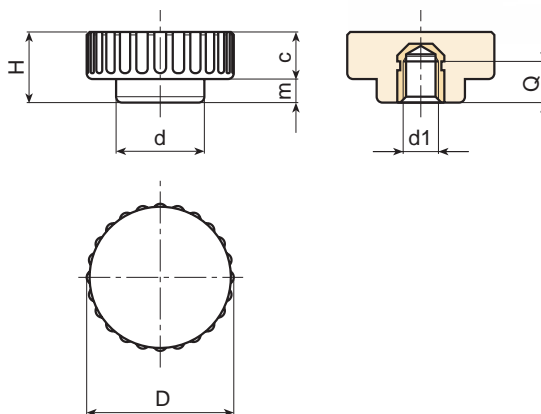


MATERIAL:
Reinforced polyamide.
Oils and greases resistant.

SURFACE:
Satin.

COLOUR:
Black (RAL 9011).

MAIN INSERT:
Brass blind threaded bush.



SPECIAL REQUESTS:

- None.

Art.	D	H	d	m	c	d1	Q	Weight (gr)
H171-25 M06 CON	25	12	15,5	4	8	M06	7	7
H171-25 M08 CON	25	12	15,5	4	8	M08	7	8



BOTECA

ART. H172

KNURLED HANDWHEEL WITH SCREWDRIVER SLOT AND THREADED STUD

MATERIAL:
Reinforced polyamide.
Oils and greases resistant.

SURFACE:
Satin.

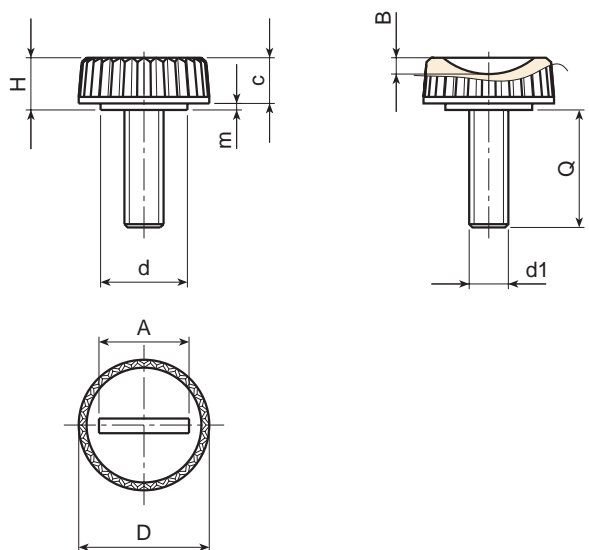
COLOUR:
Black (RAL 9011).

MAIN INSERT:
Zinc plated steel threaded stud.



SPECIAL REQUESTS:

- It is possible to supply the inserts with different lengths, on request and for quantities.
- It is possible to supply the inserts in different materials, on request and for quantities.
- It is possible to supply colours as shown in the table at page 19, on request and for quantities.



Art.	D	H	d	m	c	A	B	d1	Q	LM	Weight (gr)
H17220.TM0601	20	8	13,5	1	7	14	2,5	M06	15-24-29-34	39	6,5-8-9-10

LM = Maximum mouldable length

KNURLED HANDWHEELS

ART. H753

SOLID KNURLED HANDWHEEL WITH THREADED STUD

MATERIAL:
Reinforced polyamide.
Oils and greases resistant.

SURFACE:
Satin.

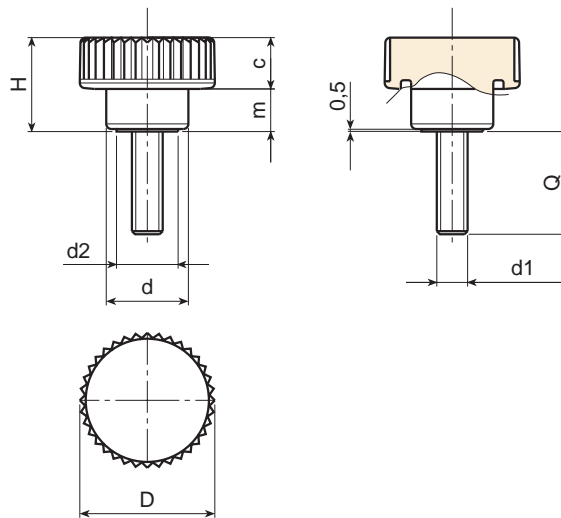
COLOUR:
Black (RAL 9011).

MAIN INSERT:
Zinc plated steel threaded stud.



SPECIAL REQUESTS:

- It is possible to supply the inserts with different lengths, on request and for quantities.
- It is possible to supply the inserts in different materials, on request and for quantities.
- It is possible to supply colours as shown in the table at page 19, on request and for quantities.



Art.	D	H	d	m	c	d2	d1	Q	Weight (gr)
H75326.TM0501	26	18	16	8,5	9,5	12	M05	15-19-24	9-9,5-10
H75326.TM0601	26	18	16	8,5	9,5	12	M06	15-19-24-29	9,5-10-10,5-11,5
H75326.TM0801	26	18	16	8,5	9,5	12	M08	19-29-39	9,5-12,5-15

KNURLED HANDWHEELS



BOTECO

ART. H757

SOLID KNURLED HANDWHEEL WITH THREADED BLIND INSERT

MATERIAL:
Reinforced polyamide.
Oils and greases resistant.

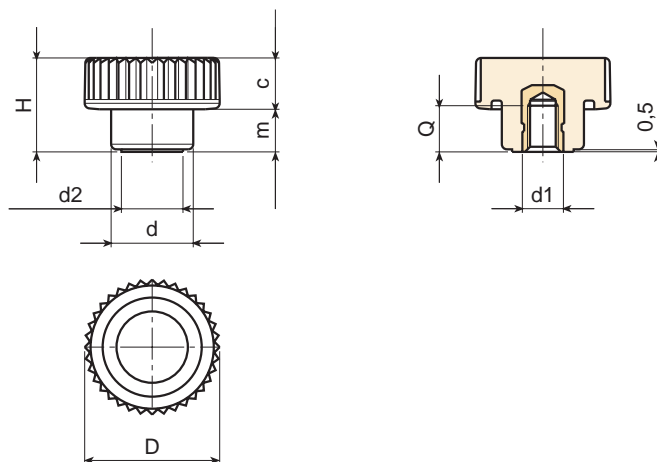
SURFACE:
Satin.

COLOUR:
Black (RAL 9011).

MAIN INSERT:
Brass blind threaded bush.

SPECIAL REQUESTS:

- It is possible to supply the inserts in different materials, on request and for quantities.
- It is possible to supply colours as shown in the table at page 19, on request and for quantities.



Art.	D	H	d	m	c	d2	d1	Q	Weight (gr)
H75726.TM0501	26	18	16	8,5	9,5	12	M05	6	9
H75726.TM0601	26	18	16	8,5	9,5	12	M06	9	10
H75726.TM0801	26	18	16	8,5	9,5	12	M08	8	11



BOTECO

ART. H758

KNURLED HANDWHEEL WITH HUB AND THREADED BLIND INSERT

MATERIAL:
Reinforced polyamide.
Oils and greases resistant.

SURFACE:
Satin.

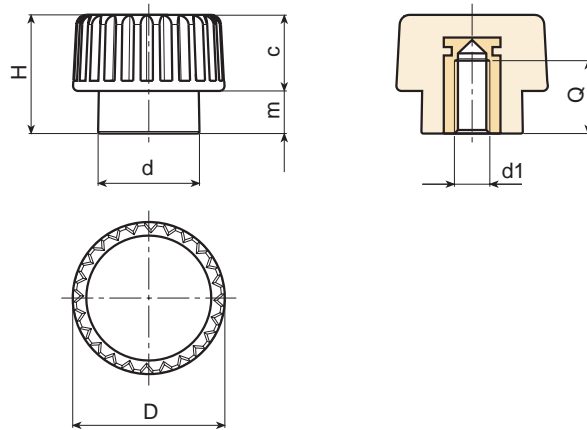
COLOUR:
Black (RAL 9011).

MAIN INSERT:
Brass blind threaded bush.



SPECIAL REQUESTS:

- It is possible to supply the inserts in different materials, on request and for quantities.
- It is possible to supply colours as shown in the table at page 19, on request and for quantities.



Art.	D	H	d	m	c	d1	Q	Weight (gr)
H75815.TM0401	15	12	10	4,5	7,5	M04	7	4
H75815.TM0501	15	12	10	4,5	7,5	M05	7	4
H75815.TM0601	15	12	10	4,5	7,5	M06	7	4

KNURLED HANDWHEELS

ART. H759

KNURLED HANDWHEEL WITH HUB AND THREADED STUD

MATERIAL:
Reinforced polyamide.
Oils and greases resistant.

SURFACE:
Satin.

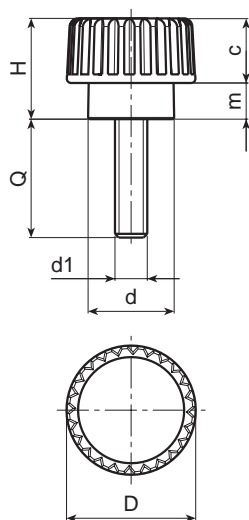
COLOUR:
Black (RAL 9011).

MAIN INSERT:
Zinc plated steel threaded stud.



SPECIAL REQUESTS:

- It is possible to supply the inserts with different lengths, on request and for quantities.
- It is possible to supply the inserts in different materials, on request and for quantities.
- It is possible to supply colours as shown in the table at page 19, on request and for quantities.



Art.	D	H	d	m	c	d1	Q	LM	Weight (gr)
H75915.TM0301	15	12	10	4,5	7,5	M03	24	60	3,5
H75915.TM0401	15	12	10	4,5	7,5	M04	10-16-20-30	60	3,5-4-4-4,5
H75915.TM0501	15	12	10	4,5	7,5	M05	10-16-20-30	60	4-4,5-5,5-6,5
H75915.TM0601	15	12	10	4,5	7,5	M06	10-16-20-30	60	5-6-7,5-9

LM = Maximum mouldable length



BOTECO

ART. H760

KNURLED HANDWHEEL WITH THREADED STUD

MATERIAL:
Reinforced polyamide.
Oils and greases resistant.

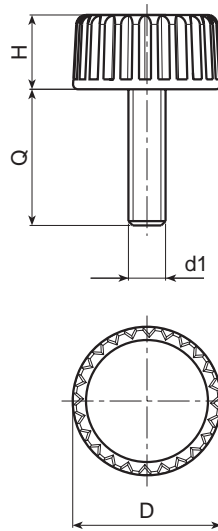
SURFACE:
Satin.

COLOUR:
Black (RAL 9011).

MAIN INSERT:
Zinc plated steel threaded stud.

SPECIAL REQUESTS:

- It is possible to supply the inserts with different lengths, on request and for quantities.
- It is possible to supply the inserts in different materials, on request and for quantities.
- It is possible to supply colours as shown in the table at page 19, on request and for quantities.



Art.	D	H	d1	Q	LM	Weight (gr)
H76015.TM0401	15	8	M04	15-19-24	80	2-2,5-3
H76015.TM0501	15	8	M05	15-19-24-29	80	3,5
H76015.TM0601	15	8	M06	15-19-24-29	80	5,5-6,5-7-7,5

LM = Maximum mouldable length

KNURLED HANDWHEELS



BOTECA

ART. H765

KNURLED HOLLOWED HANDWHEEL WITH THREADED THROUGH HOLE INSERT

MATERIAL:
Reinforced polyamide.
Oils and greases resistant.

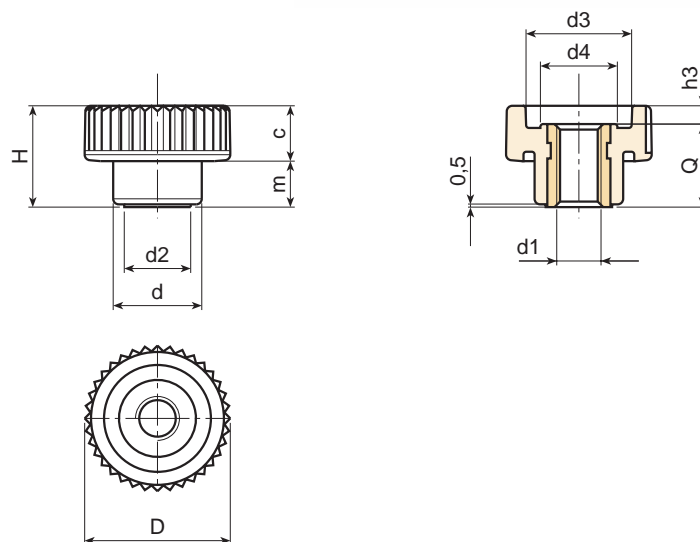
SURFACE:
Satin.

COLOUR:
Black (RAL 9011).

MAIN INSERT:
Brass right through threaded bush.

SPECIAL REQUESTS:

- It is possible to supply the inserts in different materials, on request and for quantities.
- It is possible to supply colours as shown in the table at page 19, on request and for quantities.



Art.	D	H	d	m	c	d2	d3	d4	h3	d1	Q	Weight (gr)
H76515.TM0401	15	10,5	10	4,5	6	8	10	7,5	2	M04	8,5	2
H76515.TM0501	15	10,5	10	4,5	6	8	10	7,5	2	M05	8,5	2
H76521.TM0501	21	15	13	6,5	8,5	9,5	15	10,5	2,5	M05	12,5	5
H76521.TM0601	21	15	13	6,5	8,5	9,5	15	10,5	2,5	M06	12,5	5
H76526.TM0601	26	18	16	8,5	9,5	12	19	13	3	M06	15	10
H76526.TM0801	26	18	16	8,5	9,5	12	19	13	3	M08	15	10
H76533.TM0801	32	23	20	10,5	12,5	15	23	16	5	M08	18	16
H76533.TM1001	32	23	20	10,5	12,5	15	23	16	5	M10	18	16
H76540.TM0801	40	28	25	12,5	15,5	18	28	21	6	M08	22	31
H76540.TM1001	40	28	25	12,5	15,5	18	28	21	6	M10	22	32
H76540.TM1201	40	28	25	12,5	15,5	18	28	21	6	M12	22	32
H76540.TM1401	40	28	25	12,5	15,5	18	28	21	6	M14	22	34



BOTECA

ART. H765 CIN

KNURLED HOLLOWED HANDWHEEL WITH THREADED STAINLESS STEEL THROUGH HOLE INSERT

INOX

MATERIAL:
Reinforced polyamide.
Oils and greases resistant.

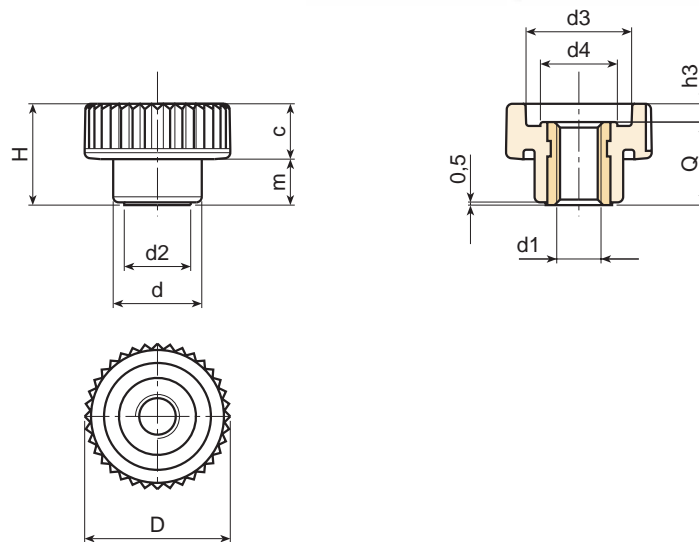
SURFACE:
Satin.

COLOUR:
Black (RAL 9011).

MAIN INSERT:
Stainless steel right through threaded bush (AISI 303).

SPECIAL REQUESTS:

- It is possible to supply colours as shown in the table at page 19, on request and for quantities.



Art.	D	H	d	m	c	d2	d3	d4	h3	d1	Q	Weight (gr)
H76515.TM04 CIN	15	10,5	10	4,5	6	8	10	7,5	2	M04	8,5	3
H76515.TM05 CIN	15	10,5	10	4,5	6	8	10	7,5	2	M05	8,5	3
H76521.TM05 CIN	21	15	13	6,5	8,5	9,5	15	10,5	2,5	M05	12,5	6
H76521.TM06 CIN	21	15	13	6,5	8,5	9,5	15	10,5	2,5	M06	12,5	6
H76526.TM06 CIN	26	18	16	8,5	9,5	12	19	13	3	M06	15	11,5
H76526.TM08 CIN	26	18	16	8,5	9,5	12	19	13	3	M08	15	11,5
H76533.TM08 CIN	32	23	20	10,5	12,5	15	23	16	5	M08	18	18
H76533.TM10 CIN	32	23	20	10,5	12,5	15	23	16	5	M10	18	18
H76540.TM08 CIN	40	28	25	12,5	15,5	18	28	21	6	M08	22	32
H76540.TM10 CIN	40	28	25	12,5	15,5	18	28	21	6	M10	22	31
H76540.TM12 CIN	40	28	25	12,5	15,5	18	28	21	6	M12	22	34

KNURLED HANDWHEELS



BOTECA

ART. H766

KNURLED HOLLOWED HANDWHEEL WITH THREADED STUD

MATERIAL:
Reinforced polyamide.
Oils and greases resistant.

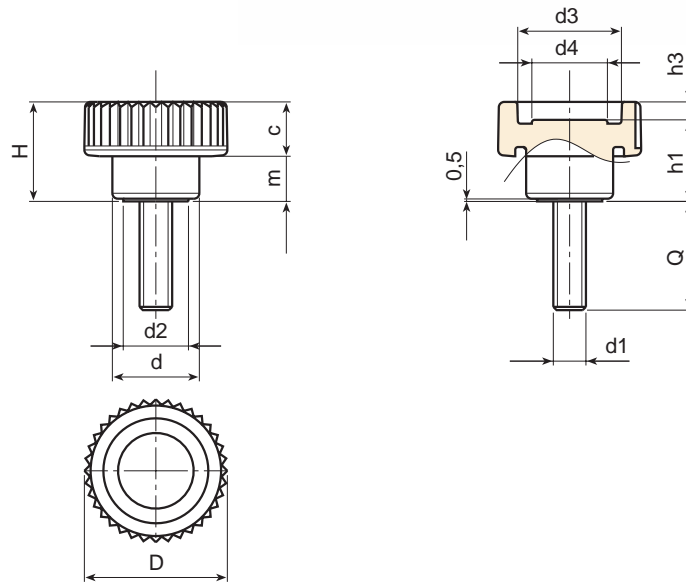
SURFACE:
Satin.

COLOUR:
Black (RAL 9011).

MAIN INSERT:
Zinc plated steel threaded stud.

SPECIAL REQUESTS:

- It is possible to supply the inserts with different lengths, on request and for quantities.
- It is possible to supply the inserts in different materials, on request and for quantities.
- It is possible to supply colours as shown in the table at page 19, on request and for quantities.



Art.	D	H	d	m	c	d2	d3	d4	h1	h3	d1	Q	LM	Weight (gr)
H76615.TM0401	15	10,5	10	4,5	6	8	10	7,5	8,5	2	M04	11-15-19	30	2,5-3-3
H76615.TM0501	15	10,5	10	4,5	6	8	10	7,5	8,5	2	M05	11-15-19	30	4-4,5-5
H76621.TM0501	21	15	13	6,5	8,5	9,5	15	10,5	12,5	2,5	M05	11-15-19-29	45	6,5-6,5-7,5-9,5
H76621.TM0601	21	15	13	6,5	8,5	9,5	15	10,5	12,5	2,5	M06	11-15-19-29-39	45	7,5-8,5-9-11-12
H76626.TM0601	26	18	16	8,5	9,5	12	19	13	15	3	M06	11-15-19-29-39	80	10-11-11-13,5-15
H76626.TM0801	26	18	16	8,5	9,5	12	19	13	15	3	M08	15-19-29-39-49	80	15,5-16,5-19,5-23-26,5
H76633.TM0801	32	23	20	10,5	12,5	15	23	16	18	5	M08	15-19-29-39	80	21-24-30-28,5
H76633.TM1001	32	23	20	10,5	12,5	15	23	16	18	5	M10	19-29-39-49	80	30-30,5-35,5-41
H76640.TM0801	40	28	25	12,5	15,5	18	28	21	22	6	M08	15-19-29-39	100	36-38-41-44
H76640.TM1001	40	28	25	12,5	15,5	18	28	21	22	6	M10	19-29-39-49	100	42-48-54-59
H76640.TM1201	40	28	25	12,5	15,5	18	28	21	22	6	M12	19-29-39-49	100	56-63-70-77
H76640.TM1401	40	28	25	12,5	15,5	18	28	21	22	6	M14	19-29-39-49	100	70-80-90-100

LM = Maximum mouldable length



BOTECA

ART. H766 CIN

KNURLED HOLLOWED HANDWHEEL WITH THREADED STAINLESS STEEL STUD

MATERIAL:
Reinforced polyamide.
Oils and greases resistant.

SURFACE:
Satin.

COLOUR:
Black (RAL 9011).

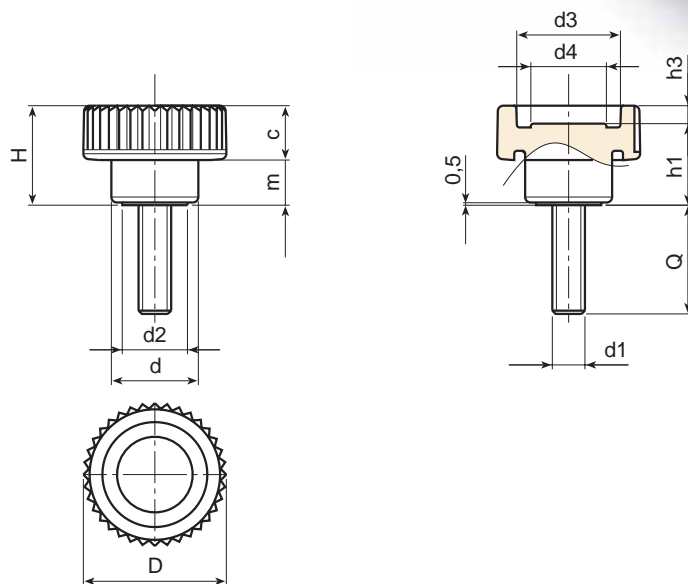
MAIN INSERT:
Stainless steel threaded stud (AISI 303).

INOX



SPECIAL REQUESTS:

- It is possible to supply the inserts with different lengths, on request and for quantities.
- It is possible to supply colours as shown in the table at page 19, on request and for quantities.



Art.	D	H	d	m	c	d2	d3	d4	h1	h3	d1	Q	LM	Weight (gr)
H76615.TM0401 CIN	15	10,5	10	4,5	6	8	10	7,5	8,5	2	M04	10-20	30	2,5-3
H76615.TM0501 CIN	15	10,5	10	4,5	6	8	10	7,5	8,5	2	M05	16-20	30	4,5-5
H76621.TM0501 CIN	21	15	13	6,5	8,5	9,5	15	10,5	12,5	2,5	M05	16-20-30	45	6,5-7-9,5
H76621.TM0601 CIN	21	15	13	6,5	8,5	9,5	15	10,5	12,5	2,5	M06	20-30-40	45	9-11-12
H76626.TM0601 CIN	26	18	16	8,5	9,5	12	19	13	15	3	M06	20-30-40	80	11-13,5-15
H76626.TM0801 CIN	26	18	16	8,5	9,5	12	19	13	15	3	M08	20-30-40	80	16,5-21-23
H76633.TM0801 CIN	32	23	20	10,5	12,5	15	23	16	18	5	M08	20-30-40	80	24-30-28,5
H76633.TM1001 CIN	32	23	20	10,5	12,5	15	23	16	18	5	M10	20-30-40	80	30-30,5-35,5
H76640.TM0801 CIN	40	28	25	12,5	15,5	18	28	21	22	6	M08	20-30-40	100	41-43-47
H76640.TM1001 CIN	40	28	25	12,5	15,5	18	28	21	22	6	M10	20-30-40	100	43-52-57
H76640.TM1201 CIN	40	28	25	12,5	15,5	18	28	21	22	6	M12	20-30-40	100	60-67-74
H76640.TM1401 CIN	40	28	25	12,5	15,5	18	28	21	22	6	M14	20-30-40	100	75-85-95

LM = Maximum mouldable length



BOTECA

ART. H767

KNURLED HOLLOWED HANDWHEEL WITH THREADED BLIND INSERT

MATERIAL:
Reinforced polyamide.
Oils and greases resistant.

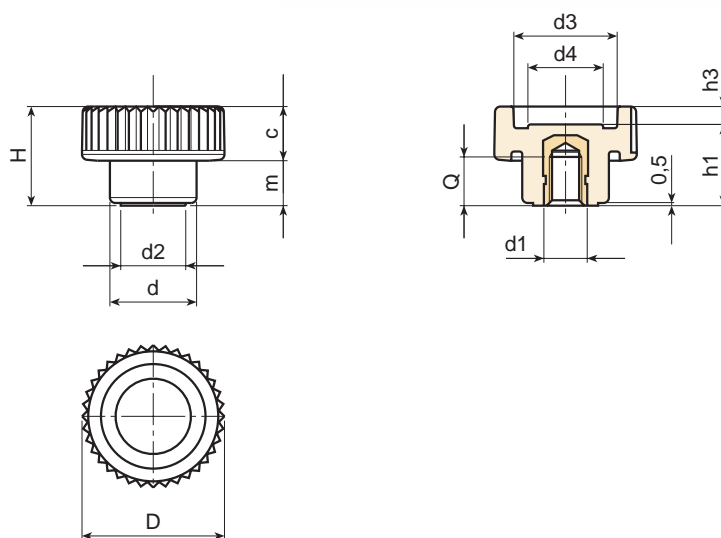
SURFACE:
Satin.

COLOUR:
Black (RAL 9011).

MAIN INSERT:
Brass blind threaded bush.

SPECIAL REQUESTS:

- It is possible to supply the inserts in different materials, on request and for quantities.
- It is possible to supply colours as shown in the table at page 19, on request and for quantities.



Art.	D	H	d	m	c	d2	d3	d4	h1	h3	d1	Q	Weight (gr)
H76721.TM0501	21	15	13	6,5	8,5	9,5	15	10,5	12,5	2,5	M05	7	5,5
H76721.TM0601	21	15	13	6,5	8,5	9,5	15	10,5	12,5	2,5	M06	7	6
H76726.TM0601	26	18	16	8,5	9,5	12	19	13	15	3	M06	9	8
H76726.TM0801	26	18	16	8,5	9,5	12	19	13	15	3	M08	8	8,5
H76733.TM0801	32	23	20	10,5	12,5	15	23	16	18	5	M08	11	15,5
H76733.TM1001	32	23	20	10,5	12,5	15	23	16	18	5	M10	10	16
H76740.TM0801	40	28	25	12,5	15,5	18	28	21	22	6	M08	14	27
H76740.TM1001	40	28	25	12,5	15,5	18	28	21	22	6	M10	14	28
H76740.TM1201	40	28	25	12,5	15,5	18	28	21	22	6	M12	12	29



BOTECA

ART. H770

KNURLED KNOB WITH THREADED BLIND INSERT

MATERIAL:
Reinforced polyamide.
Oils and greases resistant.

SURFACE:
Satin.

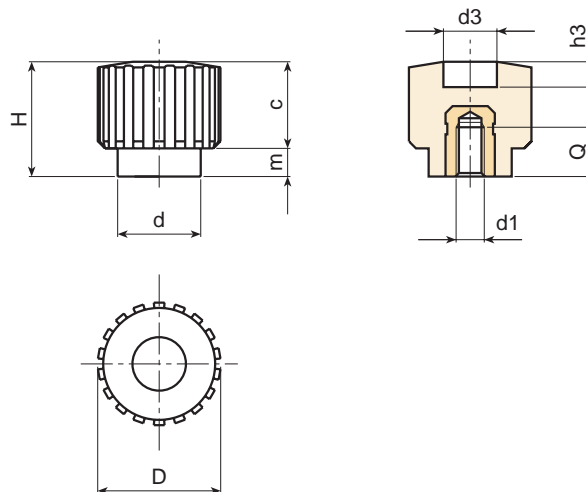
COLOUR:
Black (RAL 9011).

MAIN INSERT:
Brass blind threaded bush.



SPECIAL REQUESTS:

- It is possible to supply the inserts in different materials, on request and for quantities.
- It is possible to supply colours as shown in the table at page 19, on request and for quantities.



Art.	D	H	d	m	c	d3	h3	d1	Q	Weight (gr)
H77018.TM0401	17,5	17,5	12	4	13,5	9	5	M04	7	5
H77018.TM0501	17,5	17,5	12	4	13,5	9	5	M05	7	5
H77018.TM0601	17,5	17,5	12	4	13,5	9	5	M06	7	5



BOTECA

ART. H771

KNURLED KNOB WITH THREADED STUD

MATERIAL:
Reinforced polyamide.
Oils and greases resistant.

SURFACE:
Satin.

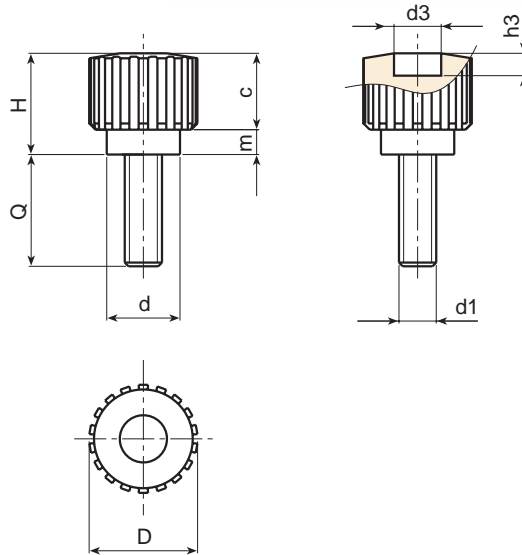
COLOUR:
Black (RAL 9011).

MAIN INSERT:
Zinc plated steel threaded stud.



SPECIAL REQUESTS:

- It is possible to supply the inserts with different lengths, on request and for quantities.
- It is possible to supply the inserts in different materials, on request and for quantities.
- It is possible to supply colours as shown in the table at page 19, on request and for quantities.



Art.	D	H	d	m	c	d3	h3	d1	Q	LM	Weight (gr)
H77118.TM0401	17,5	17,5	12	4	13,5	9	5	M04	10-16-25-30	60	5-5-7-7,5
H77118.TM0501	17,5	17,5	12	4	13,5	9	5	M05	10-16-25-30	60	6,5-7-8-8,5
H77118.TM0601	17,5	17,5	12	4	13,5	9	5	M06	10-16-25-30	60	8-8,5-9,5-10

LM = Maximum mouldable length

KNURLED HANDWHEELS

ART. H772

KNURLED KNOB WITH THREADED THROUGH HOLE INSERT

MATERIAL:
Reinforced polyamide.
Oils and greases resistant.

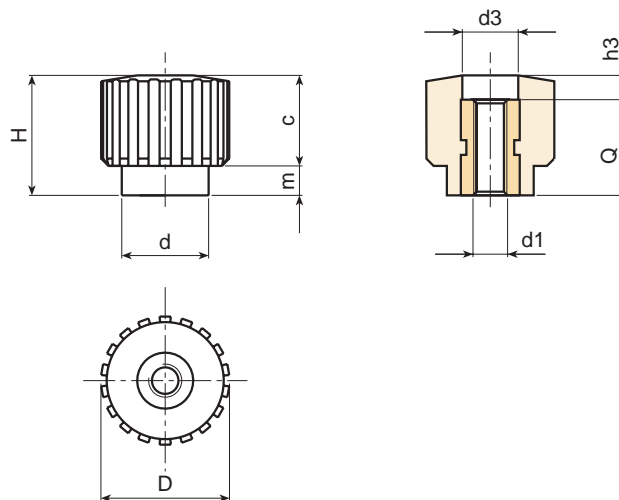
SURFACE:
Satin.

COLOUR:
Black (RAL 9011).

MAIN INSERT:
Brass right through threaded bush.

SPECIAL REQUESTS:

- It is possible to supply the inserts in different materials, on request and for quantities.
- It is possible to supply colours as shown in the table at page 19, on request and for quantities.



Art.	D	H	d	m	c	d3	h3	d1	Q	Weight (gr)
H77218.TM0401	17,5	17,5	12	4	13,5	9	4,5	M04	13	5,5
H77218.TM0501	17,5	17,5	12	4	13,5	9	4,5	M05	13	5,5
H77218.TM0601	17,5	17,5	12	4	13,5	9	4,5	M06	13	5,5

ART. H774

KNURLED KNOB WITH SCREWDRIVER SLOT AND THREADED STUD

MATERIAL:
Reinforced polyamide.
Oils and greases resistant.

SURFACE:
Satin.

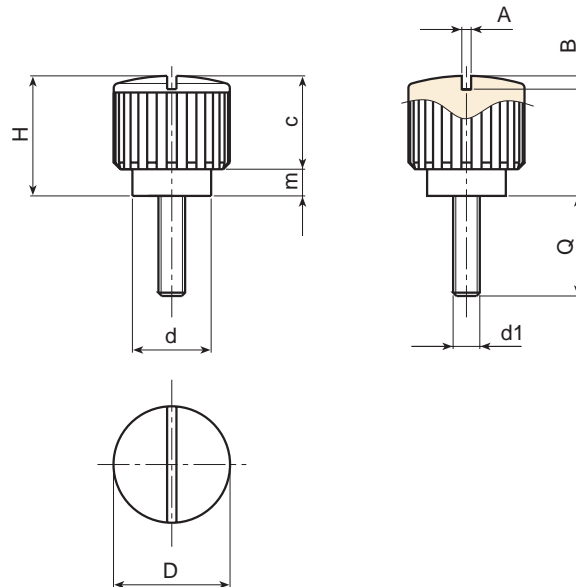
COLOUR:
Black (RAL 9011).

MAIN INSERT:
Zinc plated steel threaded stud.



SPECIAL REQUESTS:

- It is possible to supply the inserts with different lengths, on request and for quantities.
- It is possible to supply the inserts in different materials, on request and for quantities.
- It is possible to supply colours as shown in the table at page 19, on request and for quantities.



Art.	D	H	d	m	c	A	B	d1	Q	LM	Weight (gr)
H77418.TM0401	17,5	18	12	4	14	1,2	1,5	M04	16-20-30	60	6-6,5-8
H77418.TM0501	17,5	18	12	4	14	1,2	1,5	M05	16-20-30	60	7,5-8-9
H77418.TM0601	17,5	18	12	4	14	1,2	1,5	M06	16-20-30	60	9-9,5-10,5

LM = Maximum mouldable length



BOTECO