

ART. B221

FIXED HANDLE WITH NUT

MATERIAL:

Reinforced polyamide.
Oils and greases resistant.

SURFACE:

Satin.

COLOUR:

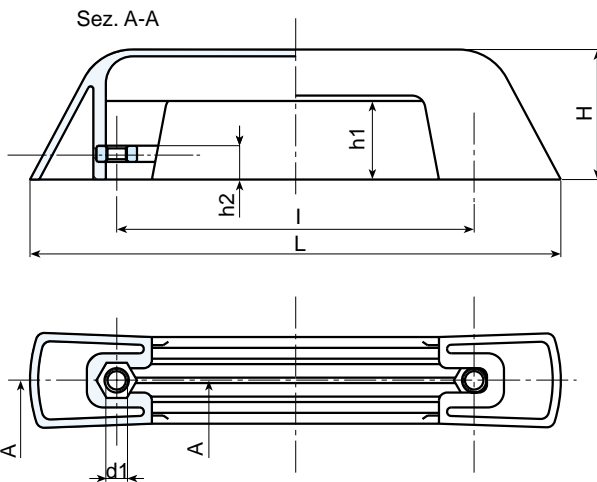
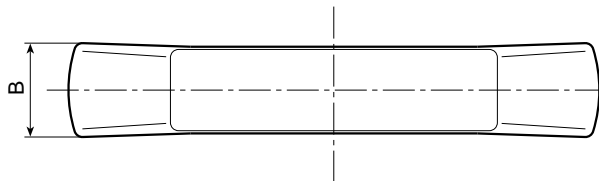
Black (RAL 9011).

MAIN INSERT:

Zinc plated steel nut DIN 934/UNI 5588.

SPECIAL REQUESTS:

- It is possible to supply the nuts with black oxide treatment, on request and for quantities.
- It is possible to supply colours as shown in the table at page 19, on request and for quantities.



Art.	L	I	B	H	h1	h2	d1	Weight (gr)	F1 (N)	F2 (N)
B221-132	198	132	34	48	29	12,5	M8	107	6785	3400



HANDLES

ART. B221

FIXED BRIDGE HANDLE WITH NUT

MATERIAL:

Reinforced polyamide.
Oils and greases resistant.

SURFACE:

Satin.

COLOUR:

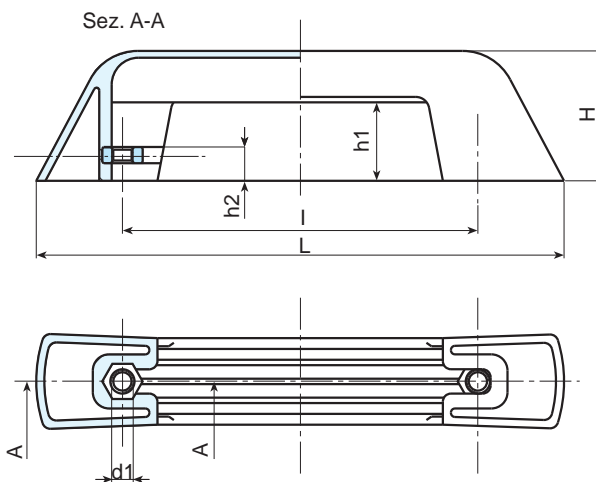
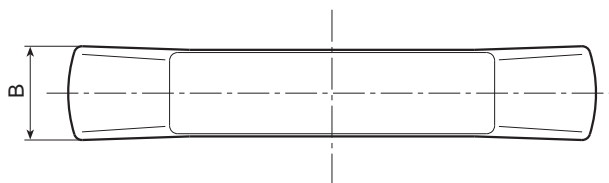
Black (RAL 9011).

MAIN INSERT:

Zinc plated steel nut DIN 934/UNI 5588.

SPECIAL REQUESTS:

- It is possible to supply the nuts with black oxide treatment, on request and for quantities.
- It is possible to supply colours as shown in the table at page 19, on request and for quantities.



Art.	L	I	B	H	h1	h2	d1	Weight (gr)	F1 (N)	F2 (N)
B221-132	7,80	5,20	1,34	1,89	1,14	0,49	5/16-18	107	6785	3400



ART. B222

FIXED BRIDGE HANDLE WITH THREADED HOLE

MATERIAL:

Duroplast.
Oils and greases resistant.
High temperatures resistant.

SURFACE:

Glossy.

COLOUR:

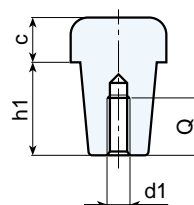
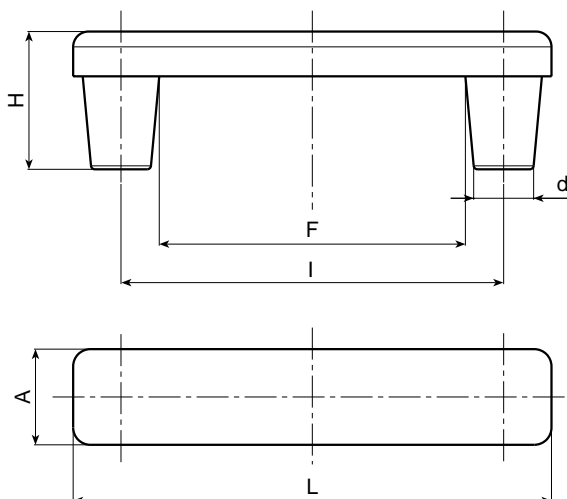
Black (RAL 9011).

HOLE :

Female threaded blind hole obtained by moulding the plastic.

SPECIAL REQUESTS:

- None.



Art.	L	I	F	A	H	h1	c	d	d1	Q	Weight (gr)	F1 (N)	F2 (N)
B222-100 M6	125	100	80	25	35,5	23,5	12	15,5	M6	15	63	2000	1400

ART. B223

FIXED BRIDGE HANDLE WITH SMOOTH THROUGH HOLE

MATERIAL:
 Duroplast.
 Oils and greases resistant.
 High temperatures resistant.

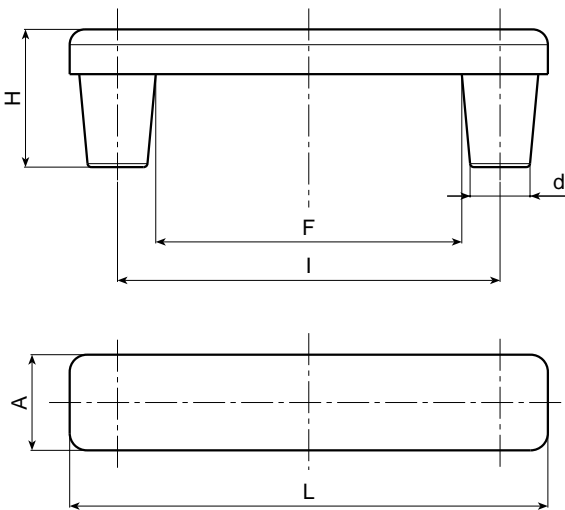
SURFACE:
 Glossy.

COLOUR:
 Black (RAL 9011).

HOLE :
 Smooth right through hole obtained by moulding the plastic.

SPECIAL REQUESTS:

- None.



H
A
N
D
L
E
S

Art.	L	I	F	A	H	h1	h3	c	d	d3	d1	Q	Weight (gr)	F1 (N)	F2 (N)
B223-125 D5	125	100	80	25	34	23,5	6	10,5	15,5	10,5	5,5	30	55	2000	1400

ART. B224

FIXED HANDLE WITH THROUGH HOLE

MATERIAL:
Reinforced polyamide.
Oils and greases resistant.

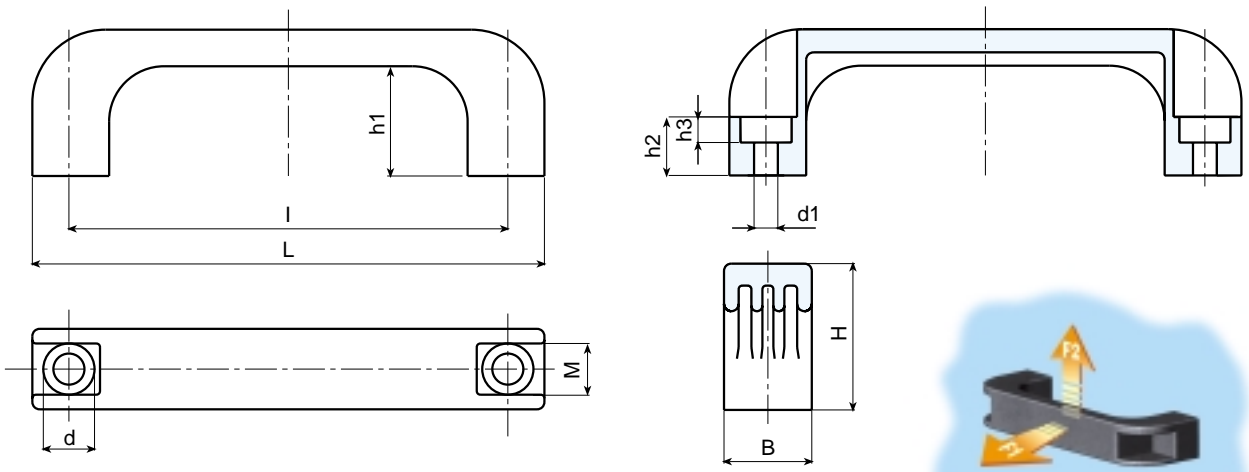
SURFACE:
Satin.

COLOUR:
Black (RAL 9011).

HOLE :
Smooth right through hole obtained by moulding the plastic.

SPECIAL REQUESTS:

- It is possible to supply colours as shown in the table at page 19, on request and for quantities.



H A N D L E S

Art.	L	I	B	M	H	h1	h2	h3	d	d1	Weight (gr)	F1 (N)	F2 (N)
B224-94 6.5	110	94	21	13	37	29	13	7	11	6,5	22	2500	1250
B224-117 6.5	140	117	24	13	40	29	15	7	14	6,5	43	4400	3000
B224-117 8.5	140	117	24	13	40	29	15	9	14	8,5	39	4400	3000
B224-120 6.5	140	120	24	14	40	29	15	7	14	6,5	42	4800	3200
B224-120 8.5	140	120	24	14	40	29	15	9	14	8,5	39	4800	3200
B224-132 8.5	151	132	26	14	43	31	16	9	14	8,5	63	3400	3200
B224-180 8.5	200	180	28	17	51	39	21	9	14,5	8,5	74	4000	3000
B224-235 10.5	262	235	32	20	53	40	21	11	17	10,5	123	3800	3000

ART. B225

FIXED INCLINED HANDLE

MATERIAL:
Reinforced polyamide.
Oils and greases resistant.

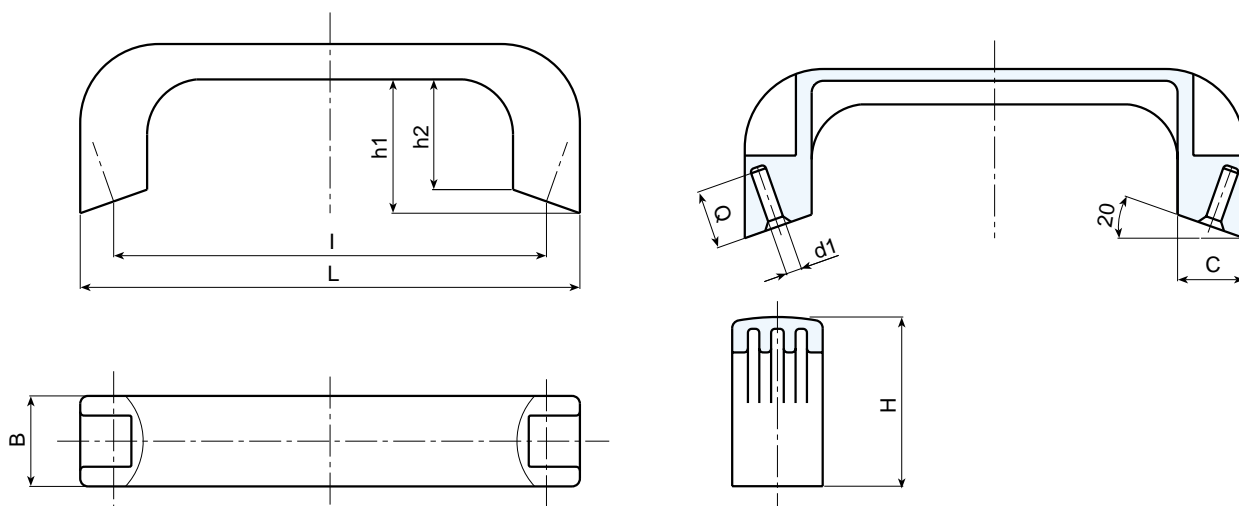
SURFACE:
Satin.

COLOUR:
Black (RAL 9011).

HOLE :
Smooth blind hole obtained by moulding the plastic for selftapping screw.

SPECIAL REQUESTS:

- It is possible to supply colours as shown in the table at page 19, on request and for quantities.



Art.	L	I	B	H	h1	C	d1	Q	Weight (gr)
B225-110	127	110	24	43	34	16	4	16	35

HANDLES

FIXED INCLINED BRIDGE HANDLE

MATERIAL:

Reinforced polyamide.
Oils and greases resistant.

SURFACE:

Satin.

COLOUR:

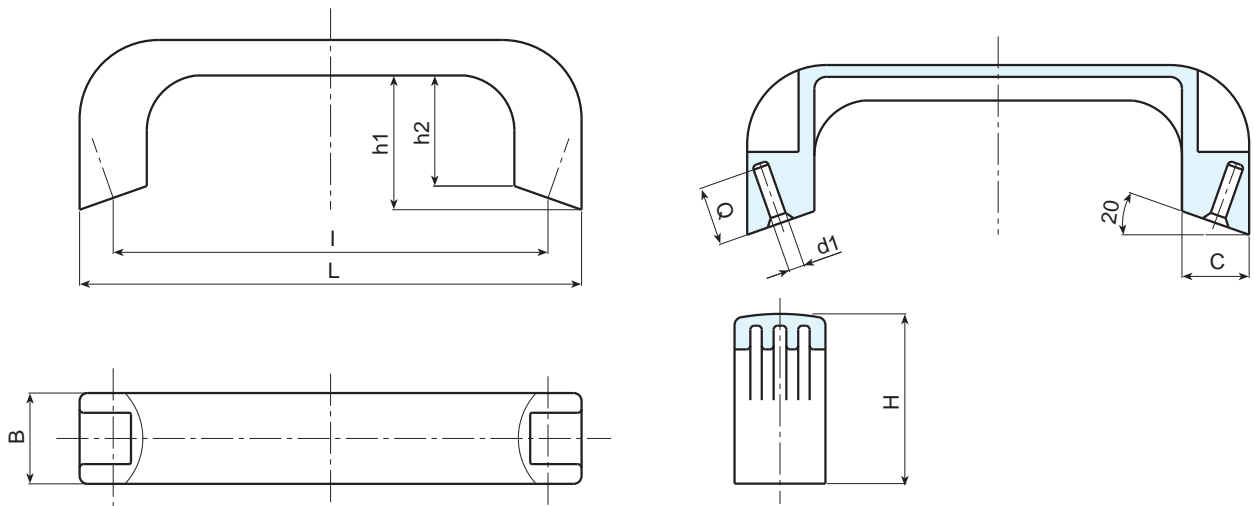
Black (RAL 9011).

HOLE :

Smooth blind hole obtained by moulding the plastic for selftapping screw.

SPECIAL REQUESTS:

- It is possible to supply colours as shown in the table at page 19, on request and for quantities.



Art.	L	I	B	H	h1	C	d1	Q	Weight (gr)
B225-110	5	4,33	0,94	1,69	1,34	0,63	0,16	16	35



ART. B226

FIXED HANDLE WITH THREADED INSERT

MATERIAL:

Reinforced polyamide.
Oils and greases resistant.

SURFACE:

Satin.

COLOUR:

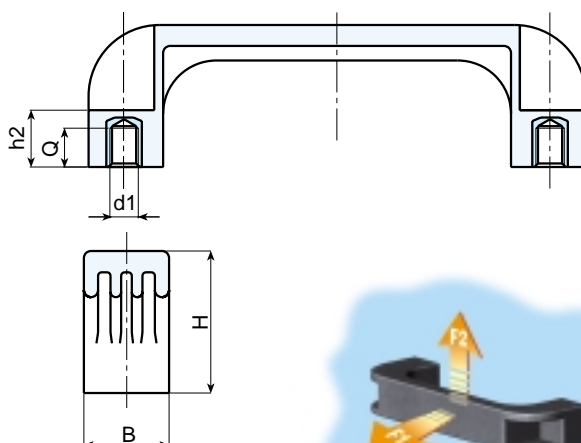
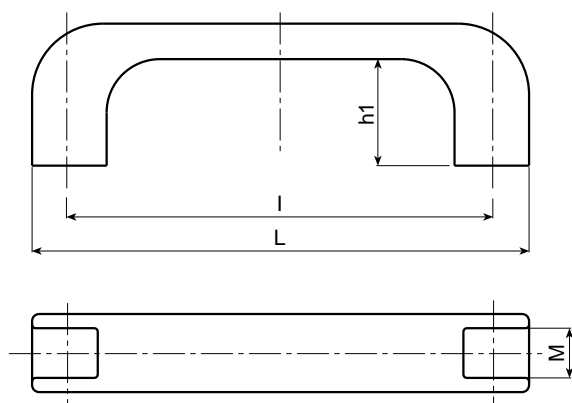
Black (RAL 9011).

MAIN INSERT:

Brass blind threaded bush.

SPECIAL REQUESTS:

- It is possible to supply the inserts in different materials, on request and for quantities.
- It is possible to supply colours as shown in the table at page 19, on request and for quantities.



Art.	L	I	B	M	H	h1	h2	Q	d1	Weight (gr)	F1 (N)	F2 (N)
B226-94 M5	110	94	21	13	37	29	13	7	M5	23	4300	1300
B226-94 M6	110	94	21	13	37	29	13	7	M6	23	4300	1300
B226-117 M5	140	117	24	13	40	29	15	10	M5	43	4100	2800
B226-117 M6	140	117	24	13	40	29	15	9	M6	43	4100	2800
B226-117 M8	140	117	24	13	40	29	15	9	M8	43	4100	2800
B226-120 M5	140	120	24	14	40	29	15	10	M5	43	6100	2800
B226-120 M6	140	120	24	14	40	29	15	9	M6	43	6100	2800
B226-120 M8	140	120	24	14	40	29	15	9	M8	43	6100	2800
B226-132 M5	151	132	26	14	43	31	16	10	M5	70	7300	3500
B226-132 M6	151	132	26	14	43	31	16	9	M6	70	7300	3500
B226-132 M8	151	132	26	14	43	31	16	9	M8	70	3700	2800
B226-180 M8	200	180	28	17	51	39	21	14	M8	88	3700	2800
B226-235 M8	262	235	32	20	53	40	21	14	M8	123	4300	3200
B226-235 M10	262	235	32	20	53	40	21	14	M10	123	4300	3200



BOTECA

FIXED BRIDGE HANDLE WITH THREADED INSERT

MATERIAL:

Reinforced polyamide.
Oils and greases resistant.

SURFACE:

Satin.

COLOUR:

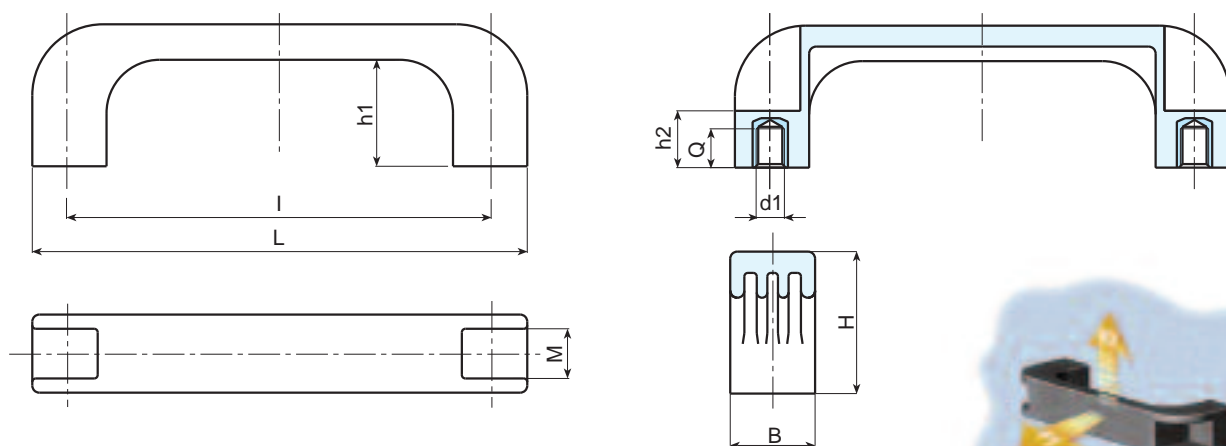
Black (RAL 9011).

MAIN INSERT:

Brass blind threaded bush.

SPECIAL REQUESTS:

- It is possible to supply the inserts in different materials, on request and for quantities.
- It is possible to supply colours as shown in the table at page 19, on request and for quantities.



Art.	L	I	B	M	H	h1	h2	Q	d1	Weight (gr)	F1 (N)	F2 (N)
B226-94 1/4-20	4,33	3,70	0,83	0,51	1,46	1,14	0,51	0,28	1/4-20	23	4300	1300
B226-117 1/4-20	5,51	4,61	0,94	0,51	1,57	1,14	0,59	0,35	1/4-20	43	4100	2800
B226-117 5/16-18	5,51	4,61	0,94	0,51	1,57	1,14	0,59	0,35	5/16-18	43	4100	2800
B226-120 1/4-20	5,51	4,61	0,94	0,51	1,57	1,14	0,59	0,35	1/4-20	43	6100	2800
B226-120 5/16-18	5,51	4,61	0,94	0,51	1,57	1,14	0,59	0,35	5/16-18	43	6100	2800
B226-132 1/4-20	5,94	5,20	1,02	0,55	1,69	1,22	0,63	0,35	1/4-20	70	7300	3500
B226-132 5/16-18	5,94	5,20	1,02	0,55	1,69	1,22	0,63	0,35	5/16-18	70	3700	2800
B226-180 5/16-18	7,87	7,09	1,10	0,67	2,01	1,54	0,83	0,55	5/16-18	88	3700	2800
B236-180 3/8-16	7,87	7,09	1,10	0,67	2,01	1,54	0,83	0,55	3/8-16	88	3700	2800
B226-235 3/8-16	10,31	9,25	1,26	0,79	2,09	1,57	0,83	0,55	3/8-16	123	4300	3200

d1= UNC THREAD



BOTECA



ART. B226 AE

SELF-EXTINGUISHING FIXED HANDLE WITH THREADED INSERT

UL94-VO

MATERIAL:
Self-extinguishing reinforced polyamide UL94-VO with yellow card.
Oils and greases resistant.

SURFACE:
Satin.

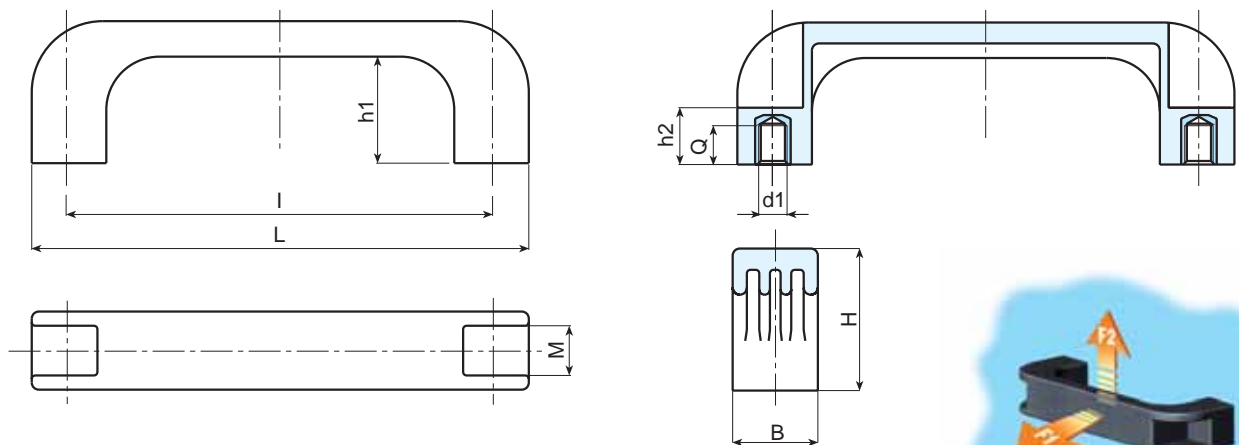
COLOUR:
Black (RAL 9011).

MAIN INSERT:
Brass blind threaded bush.



SPECIAL REQUESTS:

- It is possible to supply the inserts in different materials, on request and for quantities.
- It is possible to supply colours as shown in the table at page 19, on request and for quantities.



Art.	L	I	B	M	H	h1	h2	Q	d1	Weight (gr)	F1 (N)	F2 (N)
B226094.TM0501AE	110	94	21	13	37	29	13	7	M5	23	4300	1300
B226094.TM0601AE	110	94	21	13	37	29	13	7	M6	23	4300	1300
B226117.TM0501AE	140	117	24	13	40	29	15	10	M5	43	4100	2800
B226117.TM0601AE	140	117	24	13	40	29	15	9	M6	43	4100	2800
B226117.TM0801AE	140	117	24	13	40	29	15	9	M8	43	4100	2800
B226120.TM0501AE	140	120	24	14	40	29	15	10	M5	43	6100	2800
B226120.TM0601AE	140	120	24	14	40	29	15	9	M6	43	6100	2800
B226120.TM0801AE	140	120	24	14	40	29	15	9	M8	43	6100	2800
B226132.TM0501AE	151	132	26	14	43	31	16	10	M5	70	7300	3500
B226132.TM0601AE	151	132	26	14	43	31	16	9	M6	70	7300	3500
B226132.TM0801AE	151	132	26	14	43	31	16	9	M8	70	3700	2800
B226180.TM0801AE	200	180	28	17	51	39	21	14	M8	88	3700	2800
B226235.TM0801AE	262	235	32	20	53	40	21	14	M8	123	4300	3200
B226235.TM1001AE	262	235	32	20	53	40	21	14	M10	123	4300	3200



BOTECA

ART. B227

INCLINED HANDLE

MATERIAL:
Reinforced polypropylene.

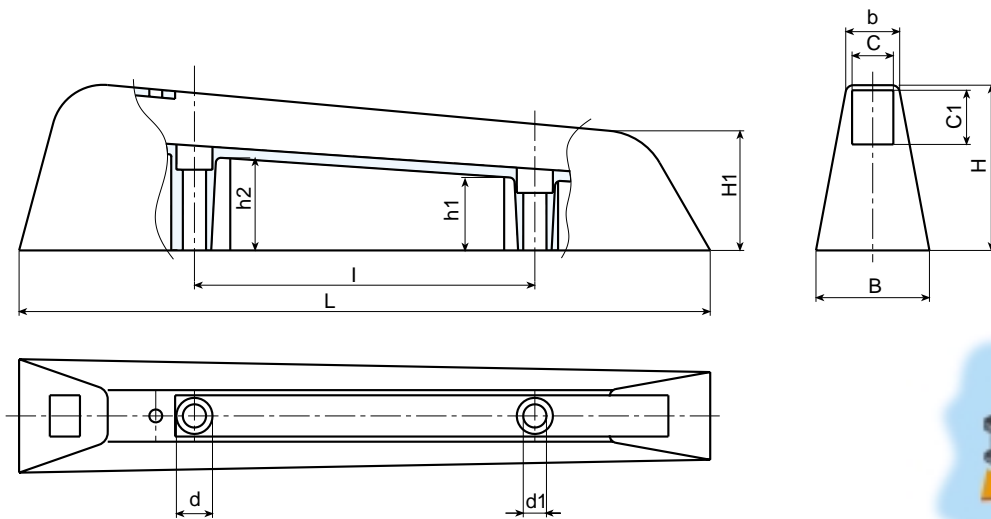
SURFACE:
Satin.

COLOUR:
Black (RAL 9011).

HOLE :
Smooth right through hole obtained by moulding the plastic.

SPECIAL REQUESTS:

- None.



HANDLES

Art.	L	I	B	b	H	H1	h1	h2	C	C1	d	d1	Weight (gr)	F1 (N)
B227-132	268	132	44	20	65	46	26	34	15,5	20,5	14	8,5	106	1540

ART. B227

INCLINED BRIDGE HANDLE

MATERIAL:

Reinforced polypropylene.

SURFACE:

Satin.

COLOUR:

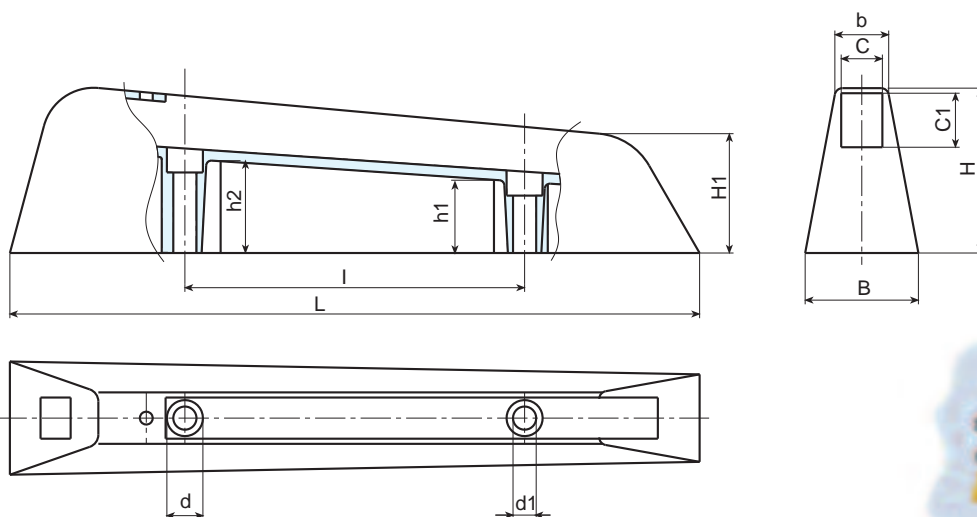
Black (RAL 9011).

HOLE :

Smooth right through hole obtained by moulding the plastic.

SPECIAL REQUESTS:

- None.



Art.	L	I	B	b	H	H1	h1	h2	C	C1	d	d1	Weight (gr)	F1 (N)
B227-132	10,55	5,20	1,73	0,79	2,56	1,81	1,02	1,34	0,61	0,81	0,55	0,33	106	1540

BRIDGE HANDLES

ART. B236

SOLID HANDLE WITH THREADED INSERT

MATERIAL:

Reinforced polyamide.
Oils and greases resistant.

SURFACE:

Satin.

COLOUR:

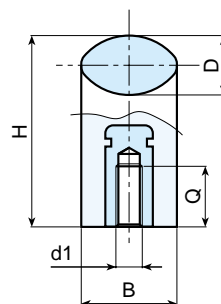
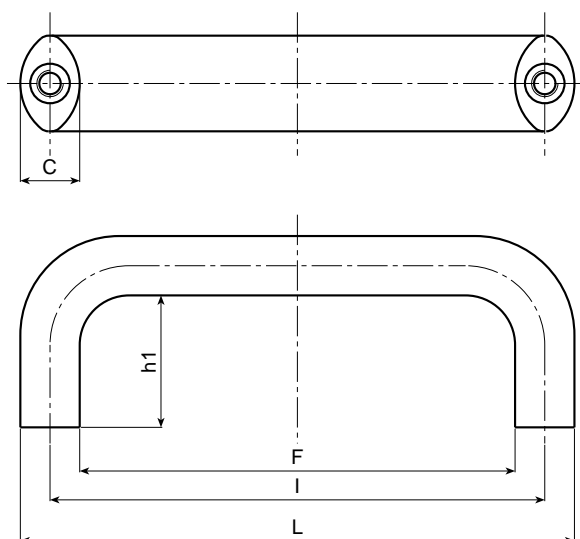
Black (RAL 9011).

MAIN INSERT:

Brass blind threaded bush.

SPECIAL REQUESTS:

- It is possible to supply the inserts in different materials, on request and for quantities.
- It is possible to supply colours as shown in the table at page 19, on request and for quantities.



Art.	L	I	F	B	C	D	H	h1	Q	d1	Weight (gr)	F1 (N)	F2 (N)
B236-86 M5	98,5	86	73,5	20	12,5	12,5	40	28	10	M5	40	4000	1500
B236-86 M6	98,5	86	73,5	20	12,5	12,5	40	28	9	M6	40	4000	1500
B236-94 M5	106,5	94	81,5	20	12,5	12,5	40	28	10	M5	40	3300	1600
B236-94 M6	106,5	94	81,5	20	12,5	12,5	40	28	9	M6	40	3300	1600
B236-117 M5	134	117	102	25	16	16	50	34	10	M5	84	4400	1800
B236-117 M6	134	117	102	25	16	16	50	34	9	M6	81	4400	1800
B236-117 M8	134	117	102	25	16	16	50	34	14	M8	80	4400	1800
B236-120 M5	134	120	102	25	16	16	50	34	10	M5	84	5200	2400
B236-120 M6	134	120	102	25	16	16	50	34	9	M6	81	5200	2400
B236-120 M8	134	120	102	25	16	16	50	34	14	M8	80	5200	2400
B236-132 M5	148	132	116	25	16	16	50	34	10	M5	90	3700	2600
B236-132 M6	148	132	116	25	16	16	50	34	9	M6	88	3700	2600
B236-132 M8	148	132	116	25	16	16	50	34	14	M8	85	3700	2600
B236-150 M6	168	150	132	29	18	18	58	40	15	M6	123	5900	1900
B236-150 M8	168	150	132	29	18	18	58	40	14	M8	121	5900	1900
B236-150 M10	168	150	132	29	18	18	58	40	14	M10	119	5900	1900
B236-179 M8	197	179	161	29	18	18	58	40	14	M8	135	3800	3200
B236-179 M10	197	179	161	29	18	18	58	40	14	M10	133	3800	3200



BOTECA

SOLID BRIDGE HANDLE WITH THREADED INSERT

MATERIAL:

Reinforced polyamide.
Oils and greases resistant.

SURFACE:

Satin.

COLOUR:

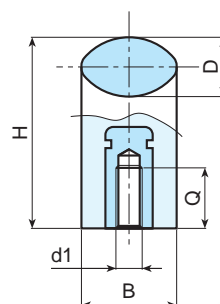
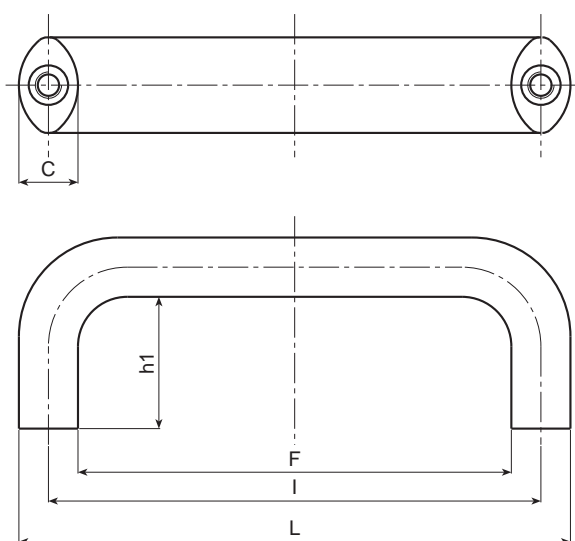
Black (RAL 9011).

MAIN INSERT:

Brass blind threaded bush.

SPECIAL REQUESTS:

- It is possible to supply the inserts in different materials, on request and for quantities.
- It is possible to supply colours as shown in the table at page 19, on request and for quantities.



Art.	L	I	F	B	C	D	H	h1	Q	d1	Weight (gr)	F1 (N)	F2 (N)
B236-86 10-24	3,88	3,39	2,89	0,79	0,49	0,49	1,57	1,10	0,39	10-24	40	4000	1500
B236-86 1/4-20	3,88	3,39	2,89	0,79	0,49	0,49	1,57	1,10	0,35	1/4-20	40	4000	1500
B236-94 10-24	4,19	3,70	3,21	0,79	0,49	0,49	1,57	1,10	0,39	10-24	40	3300	1600
B236-94 1/4-20	4,19	3,70	3,21	0,79	0,49	0,49	1,57	1,10	0,35	1/4-20	40	3300	1600
B236-117 10-24	5,28	4,61	4,02	0,98	0,63	0,63	1,97	1,34	0,39	10-24	84	4400	1800
B236-117 1/4-20	5,28	4,61	4,02	0,98	0,63	0,63	1,97	1,34	0,35	1/4-20	81	4400	1800
B236-117 5/16-18	5,28	4,61	4,02	0,98	0,63	0,63	1,97	1,34	0,55	5/16-18	80	4400	1800
B236-120 10-24	5,28	4,72	4,02	0,98	0,63	0,63	1,97	1,34	0,39	10-24	84	5200	2400
B236-120 1/4-20	5,28	4,72	4,02	0,98	0,63	0,63	1,97	1,34	0,35	1/4-20	81	5200	2400
B236-120 5/16-18	5,28	4,72	4,02	0,98	0,63	0,63	1,97	1,34	0,55	5/16-18	80	5200	2400
B236-132 10-24	5,83	5,20	4,57	0,98	0,63	0,63	1,97	1,34	0,39	10-24	90	3700	2600
B236-132 1/4-20	5,83	5,20	4,57	0,98	0,63	0,63	1,97	1,34	0,35	1/4-20	88	3700	2600
B236-132 5/16-18	5,83	5,20	4,57	0,98	0,63	0,63	1,97	1,34	0,55	5/16-18	85	3700	2600
B236-150 1/4-20	6,61	5,91	5,20	1,14	0,71	0,71	2,28	1,57	0,59	1/4-20	123	5900	1900
B236-150 5/16-18	6,61	5,91	5,20	1,14	0,71	0,71	2,28	1,57	0,55	5/16-18	121	5900	1900
B236-150 3/8-16	6,61	5,91	5,20	1,14	0,71	0,71	2,28	1,57	0,55	3/8-16	119	5900	1900
B236-179 5/16-18	7,76	7,05	6,34	1,14	0,71	0,71	2,28	1,57	0,55	5/16-18	135	3800	3200
B236-179 3/8-16	7,76	7,05	6,34	1,14	0,71	0,71	2,28	1,57	0,55	3/8-16	133	3800	3200

d1= UNC THREAD



BOTECA



ART. B236 AE

SELF-EXTINGUISHING SOLID HANDLE WITH THREADED INSERT

UL94-VO

MATERIAL:
Self-extinguishing reinforced polyamide UL94-VO with yellow card.
Oils and greases resistant.

SURFACE:
Satin.

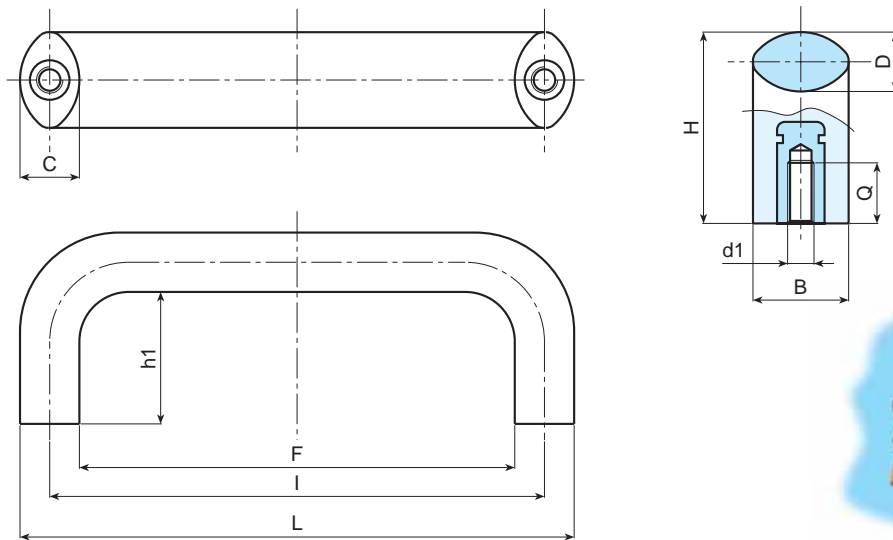
COLOUR:
Black (RAL 9011).

MAIN INSERT:
Brass blind threaded bush.



SPECIAL REQUESTS:

- It is possible to supply the inserts in different materials, on request and for quantities.
- It is possible to supply colours as shown in the table at page 19, on request and for quantities.



Art.	L	I	F	B	C	D	H	h1	Q	d1	Weight (gr)	F1 (N)	F2 (N)
B236086.TM0501AE	98,5	86	73,5	20	12,5	12,5	40	28	10	M5	40	4000	1500
B236086.TM0601AE	98,5	86	73,5	20	12,5	12,5	40	28	9	M6	40	4000	1500
B236094.TM0501AE	106,5	94	81,5	20	12,5	12,5	40	28	10	M5	40	3300	1600
B236094.TM0601AE	106,5	94	81,5	20	12,5	12,5	40	28	9	M6	40	3300	1600
B236117.TM0501AE	134	117	102	25	16	16	50	34	10	M5	84	4400	1800
B236117.TM0601AE	134	117	102	25	16	16	50	34	9	M6	81	4400	1800
B236117.TM0801AE	134	117	102	25	16	16	50	34	14	M8	80	4400	1800
B236120.TM0501AE	134	120	102	25	16	16	50	34	10	M5	84	5200	2400
B236120.TM0601AE	134	120	102	25	16	16	50	34	9	M6	81	5200	2400
B236120.TM0801AE	134	120	102	25	16	16	50	34	14	M8	80	5200	2400
B236132.TM0501AE	148	132	116	25	16	16	50	34	10	M5	90	3700	2600
B236132.TM0601AE	148	132	116	25	16	16	50	34	9	M6	88	3700	2600
B236132.TM0801AE	148	132	116	25	16	16	50	34	14	M8	85	3700	2600
B236150.TM0601AE	168	150	132	29	18	18	58	40	15	M6	123	5900	1900
B236150.TM0801AE	168	150	132	29	18	18	58	40	14	M8	121	5900	1900
B236150.TM1001AE	168	150	132	29	18	18	58	40	14	M10	119	5900	1900
B236179.TM0801AE	197	179	161	29	18	18	58	40	14	M8	135	3800	3200
B236179.TM1001AE	197	179	161	29	18	18	58	40	14	M10	133	3800	3200



BOTECA

ART. B236 CIN

SOLID HANDLE WITH THREADED STAINLESS STEEL INSERT

INOX

MATERIAL:

Reinforced polyamide.
Oils and greases resistant.

SURFACE:

Satin.

COLOUR:

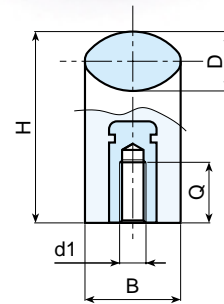
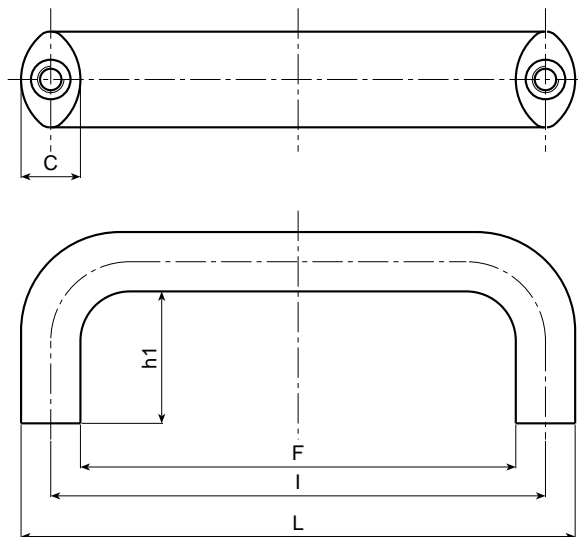
Black (RAL 9011).

MAIN INSERT:

Stainless steel blind threaded bush (AISI 303).

SPECIAL REQUESTS:

- It is possible to supply colours as shown in the table at page 19, on request and for quantities.



Art.	L	I	F	B	C	D	H	h1	Q	d1	Weight (gr)	F1 (N)	F2 (N)
B236 M5 CIN	98,5	86	73,5	20	12,5	12,5	40	28	9	M5	40	4000	1500
B236 M6 CIN	98,5	86	73,5	20	12,5	12,5	40	28	8	M6	40	4000	1500
B236 M5 CIN	106,5	94	81,5	20	12,5	12,5	40	28	9	M5	40	3300	1600
B236 M6 CIN	106,5	94	81,5	20	12,5	12,5	40	28	8	M6	40	3300	1600
B236 M5 CIN	134	117	102	25	16	16	50	34	9	M5	84	4400	1800
B236 M6 CIN	134	117	102	25	16	16	50	34	8	M6	81	4400	1800
B236 M8 CIN	134	117	102	25	16	16	50	34	13	M8	80	4400	1800
B236 M5 CIN	134	120	102	25	16	16	50	34	9	M5	84	5200	2400
B236 M6 CIN	134	120	102	25	16	16	50	34	8	M6	81	5200	2400
B236 M8 CIN	134	120	102	25	16	16	50	34	13	M8	80	5200	2400
B236 M5 CIN	148	132	116	25	16	16	50	34	9	M5	90	3700	2600
B236 M6 CIN	148	132	116	25	16	16	50	34	8	M6	88	3700	2600
B236 M8 CIN	148	132	116	25	16	16	50	34	13	M8	85	3700	2600
B236 M6 CIN	168	150	132	29	18	18	58	40	13	M6	123	5900	1900
B236 M8 CIN	168	150	132	29	18	18	58	40	13	M8	121	5900	1900
B236 M10 CIN	168	150	132	29	18	18	58	40	15	M10	119	5900	1900
B236 M8 CIN	197	179	161	29	18	18	58	40	13	M8	135	3800	3200
B236 M10 CIN	197	179	161	29	18	18	58	40	15	M10	133	3800	3200



BOTECA

ART. B236 CIN

SOLID BRIDGE HANDLE WITH THREADED STAINLESS STEEL INSERT

INDEX

MATERIAL:

Reinforced polyamide.
Oils and greases resistant.

SURFACE:

Satin.

COLOUR:

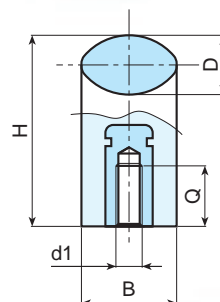
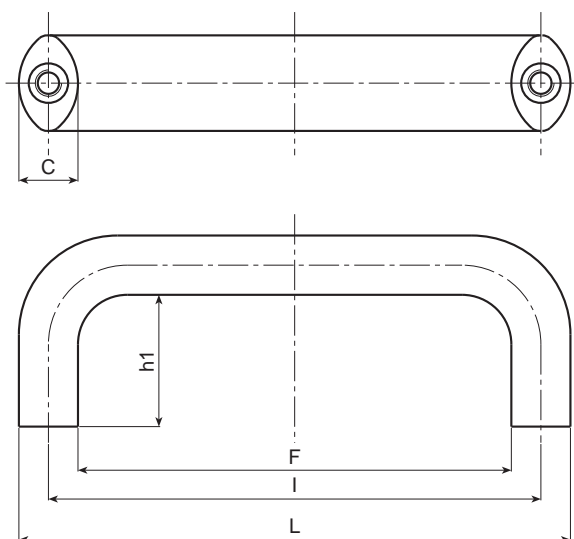
Black (RAL 9011).

MAIN INSERT:

Stainless steel blind threaded bush (AISI 303).

SPECIAL REQUESTS:

- It is possible to supply colours as shown in the table at page 19, on request and for quantities.



Art.	L	I	F	B	C	D	H	h1	Q	d1	Weight (gr)	F1 (N)	F2 (N)
B236-86 10-24 CIN	3,88	3,39	2,89	0,79	0,49	0,49	1,57	1,10	0,35	10-24	40	4000	1500
B236-86 1/4-20 CIN	3,88	3,39	2,89	0,79	0,49	0,49	1,57	1,10	0,31	1/4-20	40	4000	1500
B236-94 10-24 CIN	4,19	3,70	3,21	0,79	0,49	0,49	1,57	1,10	0,35	10-24	40	3300	1600
B236-94 1/4-20 CIN	4,19	3,70	3,21	0,79	0,49	0,49	1,57	1,10	0,31	1/4-20	40	3300	1600
B236-117 10-24 CIN	5,28	4,61	4,02	0,98	0,63	0,63	1,97	1,34	0,35	10-24	84	4400	1800
B236-117 1/4-20 CIN	5,28	4,61	4,02	0,98	0,63	0,63	1,97	1,34	0,31	1/4-20	81	4400	1800
B236-117 5/16-18 CIN	5,28	4,61	4,02	0,98	0,63	0,63	1,97	1,34	0,51	5/16-18	80	4400	1800
B236-120 10-24 CIN	5,28	4,72	4,02	0,98	0,63	0,63	1,97	1,34	0,35	10-24	84	5200	2400
B236-120 1/4-20 CIN	5,28	4,72	4,02	0,98	0,63	0,63	1,97	1,34	0,31	1/4-20	81	5200	2400
B236-120 5/16-18 CIN	5,28	4,72	4,02	0,98	0,63	0,63	1,97	1,34	0,51	5/16-18	80	5200	2400
B236-132 10-24 CIN	5,83	5,20	4,57	0,98	0,63	0,63	1,97	1,34	0,35	10-24	90	3700	2600
B236-132 1/4-20 CIN	5,83	5,20	4,57	0,98	0,63	0,63	1,97	1,34	0,31	1/4-20	88	3700	2600
B236-132 5/16-18 CIN	5,83	5,20	4,57	0,98	0,63	0,63	1,97	1,34	0,51	5/16-18	85	3700	2600
B236-150 1/4-20 CIN	6,61	5,91	5,20	1,14	0,71	0,71	2,28	1,57	0,51	1/4-20	123	5900	1900
B236-150 5/16-18 CIN	6,61	5,91	5,20	1,14	0,71	0,71	2,28	1,57	0,51	5/16-18	121	5900	1900
B236-150 3/8-16 CIN	6,61	5,91	5,20	1,14	0,71	0,71	2,28	1,57	0,59	3/8-16	119	5900	1900
B236-179 5/16-18 CIN	7,76	7,05	6,34	1,14	0,71	0,71	2,28	1,57	0,51	5/16-18	135	3800	3200
B236-179 3/8-16 CIN	7,76	7,05	6,34	1,14	0,71	0,71	2,28	1,57	0,59	3/8-16	133	3800	3200



BOTECA



ART. B320

BRIDGE HANDLE WITH TUBE D.20

PLASTIC END BRACKET MATERIAL:

Reinforced polyamide.
Oils and greases resistant.

TUBE MATERIAL:

Anodized aluminum UNI 4321.

PLASTIC END BRACKET SURFACE:

Satin.

TUBE SURFACE:

Satin.

PLASTIC END BRACKET COLOUR:

Black (RAL 9011).

TUBE COLOUR:

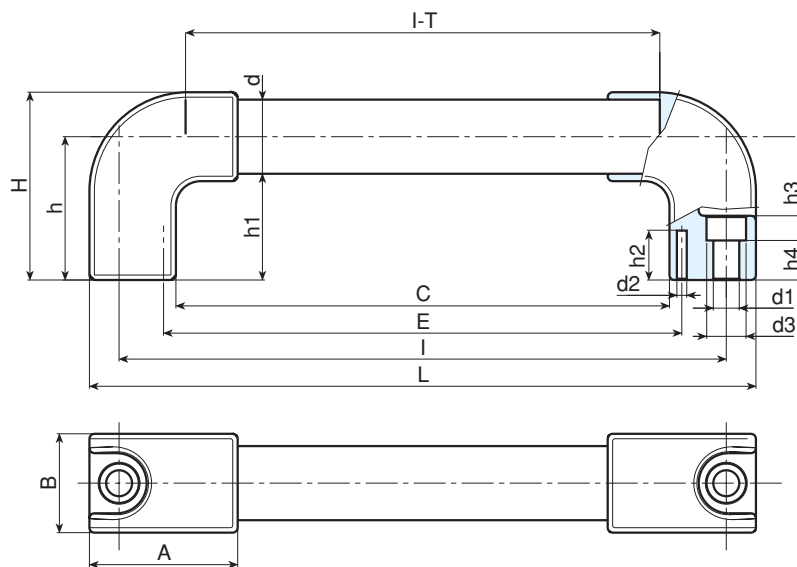
Silver.

HOLE :

Smooth right through hole obtained by moulding the plastic.

SPECIAL REQUESTS:

- It is possible to supply the bridge handle with different lengths, on request and for quantities.
- It is possible to supply the plastic end bracket with colours as shown in the table at page 19, on request and for quantities.
- It is possible to provide screw cover plugs on request.



Art.	L	I	C	E	A	B	T	H	h	h1	h4	h3	h2	d	d1	d3	d2	Weight (gr)	F1 (N)	F2 (N)
B320-200	220	200	162	174	50	30	45	57	43	33	12	8	15	20	8,5	14,5	4	130	2400	1850
B320-250	270	250	212	224	50	30	45	57	43	33	12	8	15	20	8,5	14,5	4	145	1800	1450
B320-300	320	300	262	274	50	30	45	57	43	33	12	8	15	20	8,5	14,5	4	155	1500	1500
B320-350	370	350	312	324	50	30	45	57	43	33	12	8	15	20	8,5	14,5	4	165	1500	1250
B320-400	420	400	362	374	50	30	45	57	43	33	12	8	15	20	8,5	14,5	4	176	1400	850
B320-500	520	500	462	474	50	30	45	57	43	33	12	8	15	20	8,5	14,5	4	200	1000	800
B320-600	620	600	562	574	50	30	45	57	43	33	12	8	15	20	8,5	14,5	4	225	900	750
B320-700	720	700	662	674	50	30	45	57	43	33	12	8	15	20	8,5	14,5	4	250	600	600



BOTECA

BRIDGE HANDLE WITH TUBE D.20

PLASTIC END BRACKET MATERIAL:

Reinforced polyamide.
Oils and greases resistant.

TUBE MATERIAL:

Anodized aluminum UNI 4321.

PLASTIC END BRACKET SURFACE:

Satin.

TUBE SURFACE:

Satin.

PLASTIC END BRACKET COLOUR:

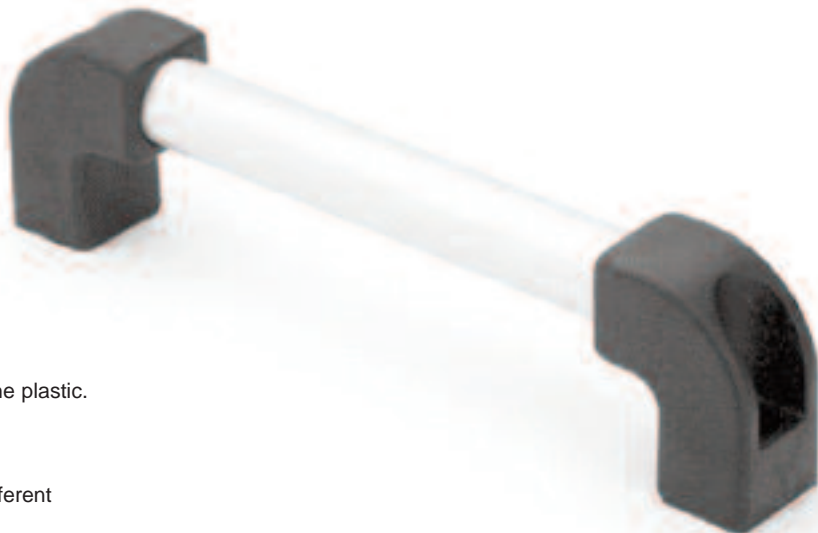
Black (RAL 9011).

TUBE COLOUR:

Silver.

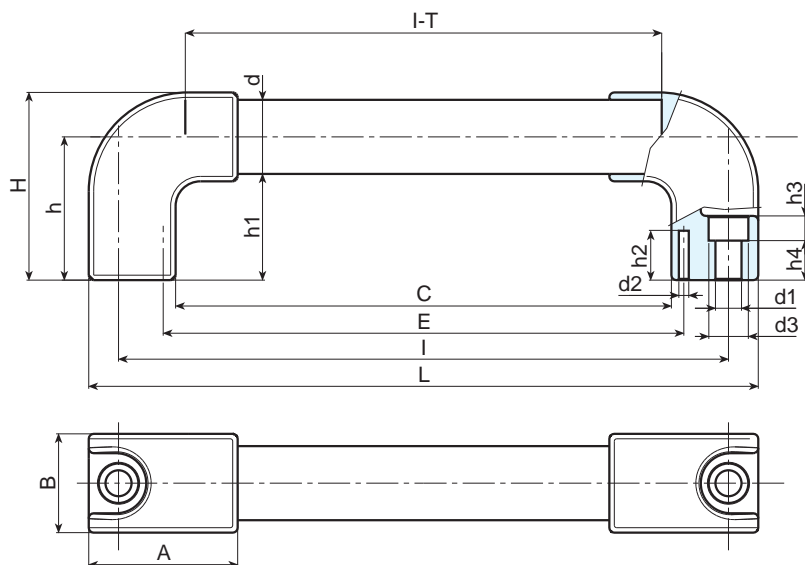
HOLE :

Smooth right through hole obtained by moulding the plastic.



SPECIAL REQUESTS:

- It is possible to supply the bridge handle with different lengths, on request and for quantities.
- It is possible to supply the plastic end bracket with colours as shown in the table at page 19, on request and for quantities.
- It is possible to provide screw cover plugs on request.



Art.	L	I	C	E	A	B	T	H	h	h1	h4	h3	h2	d	d1	d3	d2	Weight (gr)	F1 (N)	F2 (N)
B322-200	8,66	7,87	6,38	6,85	1,97	1,18	1,77	2,24	1,69	1,30	0,28	0,49	0,59	0,79	0,33	0,57	0,16	130	2400	1850
B322-250	10,63	9,84	8,35	8,82	1,97	1,18	1,77	2,24	1,69	1,30	0,28	0,49	0,59	0,79	0,33	0,57	0,16	145	1800	1450
B322-300	12,60	11,81	10,31	10,79	1,97	1,18	1,77	2,24	1,69	1,30	0,28	0,49	0,59	0,79	0,33	0,57	0,16	155	1500	1500
B322-350	14,57	13,78	12,28	12,76	1,97	1,18	1,77	2,24	1,69	1,30	0,28	0,49	0,59	0,79	0,33	0,57	0,16	165	1500	1250
B322-400	16,54	15,75	14,25	14,72	1,97	1,18	1,77	2,24	1,69	1,30	0,28	0,49	0,59	0,79	0,33	0,57	0,16	176	1400	850
B322-500	20,47	19,69	18,19	18,66	1,97	1,18	1,77	2,24	1,69	1,30	0,28	0,49	0,59	0,79	0,33	0,57	0,16	200	1000	800
B322-600	24,41	23,62	22,13	22,60	1,97	1,18	1,77	2,24	1,69	1,30	0,28	0,49	0,59	0,79	0,33	0,57	0,16	225	900	750
B322-700	28,35	27,56	26,06	26,54	1,97	1,18	1,77	2,24	1,69	1,30	0,28	0,49	0,59	0,79	0,33	0,57	0,16	250	600	600



ART. B321

BRACKET FOR HANDLE WITH TUBE D.20

MATERIAL:
Reinforced polyamide.
Oils and greases resistant.

SURFACE:
Satin.

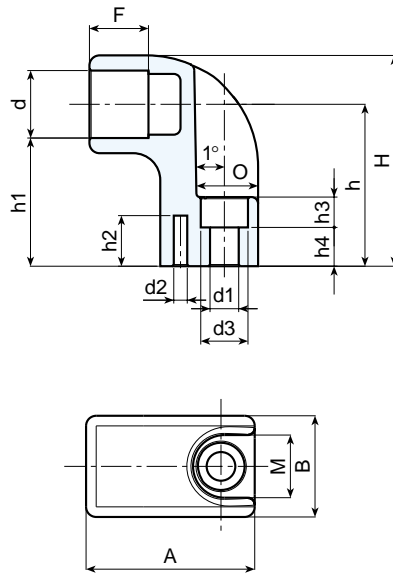
COLOUR:
Black (RAL 9011).

HOLE :
Smooth right through hole obtained by moulding the plastic.



SPECIAL REQUESTS:

- It is possible to supply colours as shown in the table at page 19, on request and for quantities.
- It is possible to provide screw cover plugs on request.



Art.	d	d1	d3	d2	A	B	H	h	h1	h4	h3	h2	M	O	F	Weight (gr)
B321	20	8,5	14,5	4	50	30	57	43	33	7	12,5	15	18,5	18	17	47

HANDLES



BOTECA

ART. B321

BRACKET FOR BRIDGE HANDLE WITH TUBE D.20

MATERIAL:

Reinforced polyamide.
Oils and greases resistant.

SURFACE:

Satin.

COLOUR:

Black (RAL 9011).

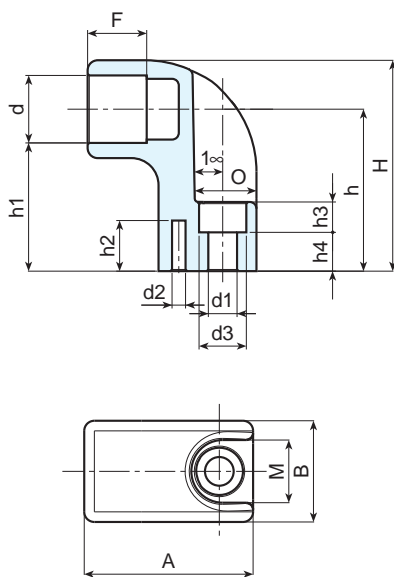
HOLE :

Smooth right through hole
obtained by moulding the plastic.



SPECIAL REQUESTS:

- It is possible to supply colours as shown in the table at page 19, on request and for quantities.
- It is possible to provide screw cover plugs on request.



Art.	d	d1	d3	d2	A	B	H	h	h1	h4	h3	h2	M	O	F	Weight (gr)
B321	0,79	0,33	0,57	0,16	1,97	1,18	2,24	1,69	1,30	0,28	0,49	0,59	0,73	0,71	0,67	47



ART. B322

HANDLE WITH TUBE D.20

PLASTIC END BRACKET MATERIAL:

Reinforced polyamide.
Oils and greases resistant.

TUBE MATERIAL:

Anodized aluminum UNI 4321.

PLASTIC END BRACKET SURFACE:

Satin.

TUBE SURFACE:

Satin.

PLASTIC END BRACKET COLOUR:

Black (RAL 9011).

TUBE COLOUR:

Black marbled.

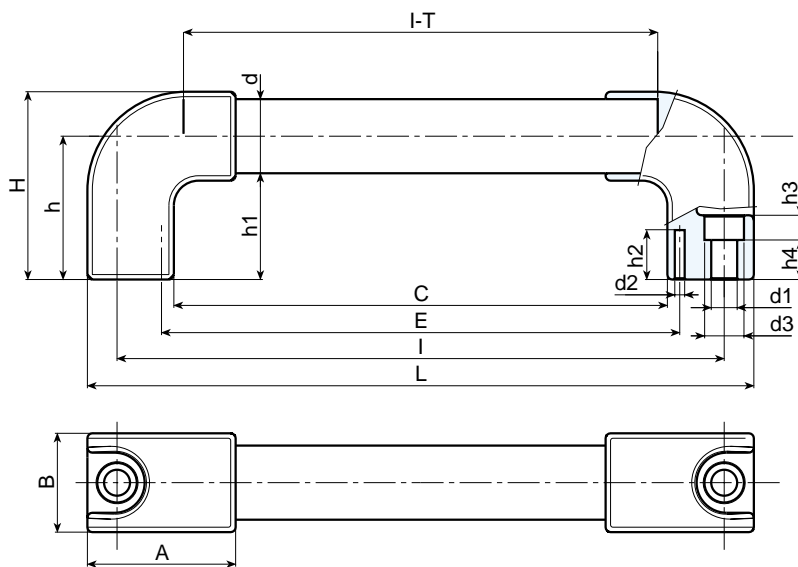
HOLE :

Smooth right through hole obtained by moulding the plastic.



SPECIAL REQUESTS:

- It is possible to supply the handle with different lengths, on request and for quantities.
- It is possible to supply the plastic end bracket with colours as shown in the table at page 19, on request and for quantities.
- It is possible to provide screw cover plugs on request.



Art.	L	I	C	E	A	B	T	H	h	h1	h4	h3	h2	d	d1	d3	d2	Weight (gr)	F1 (N)	F2 (N)
B322-200	220	200	162	174	50	30	45	57	43	33	7	12,5	15	20	8,5	14,5	4	130	2400	1850
B322-250	270	250	212	224	50	30	45	57	43	33	7	12,5	15	20	8,5	14,5	4	145	1800	1450
B322-300	320	300	262	274	50	30	45	57	43	33	7	12,5	15	20	8,5	14,5	4	155	1500	1500
B322-350	370	350	312	324	50	30	45	57	43	33	7	12,5	15	20	8,5	14,5	4	165	1500	1250
B322-400	420	400	362	374	50	30	45	57	43	33	7	12,5	15	20	8,5	14,5	4	176	2400	850
B322-500	520	500	462	474	50	30	45	57	43	33	7	12,5	15	20	8,5	14,5	4	200	1000	800
B322-600	620	600	562	574	50	30	45	57	43	33	7	12,5	15	20	8,5	14,5	4	225	900	750
B322-700	720	700	662	674	50	30	45	57	43	33	7	12,5	15	20	8,5	14,5	4	250	600	600



BOTECA

BRIDGE HANDLE WITH TUBE D.20

PLASTIC END BRACKET MATERIAL:

Reinforced polyamide.
Oils and greases resistant.

TUBE MATERIAL:

Anodized aluminum UNI 4321.

PLASTIC END BRACKET SURFACE:

Satin.

TUBE SURFACE:

Satin.

PLASTIC END BRACKET COLOUR:

Black (RAL 9011).

TUBE COLOUR:

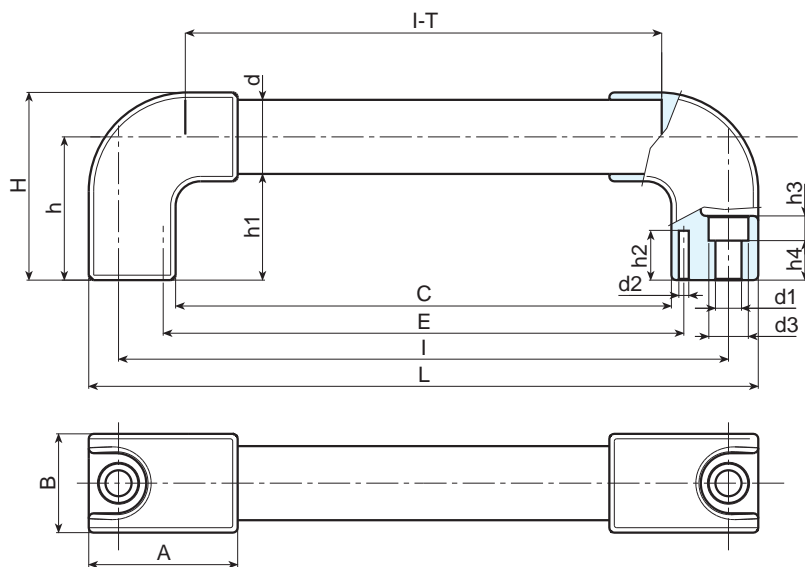
Black marbled.

HOLE :

Smooth right through hole obtained by moulding the plastic.

SPECIAL REQUESTS:

- It is possible to supply the bridge handle with different lengths, on request and for quantities.
- It is possible to supply the plastic end bracket with colours as shown in the table at page 19, on request and for quantities.
- It is possible to provide screw cover plugs on request.



Art.	L	I	C	E	A	B	T	H	h	h1	h4	h3	h2	d	d1	d3	d2	Weight (gr)	F1 (N)	F2 (N)
B322-200	8,66	7,87	6,38	6,85	1,97	1,18	1,77	2,24	1,69	1,30	0,28	0,49	0,59	0,79	0,33	0,57	0,16	130	2400	1850
B322-250	10,63	9,84	8,35	8,82	1,97	1,18	1,77	2,24	1,69	1,30	0,28	0,49	0,59	0,79	0,33	0,57	0,16	145	1800	1450
B322-300	12,60	11,81	10,31	10,79	1,97	1,18	1,77	2,24	1,69	1,30	0,28	0,49	0,59	0,79	0,33	0,57	0,16	155	1500	1500
B322-350	14,57	13,78	12,28	12,76	1,97	1,18	1,77	2,24	1,69	1,30	0,28	0,49	0,59	0,79	0,33	0,57	0,16	165	1500	1250
B322-400	16,54	15,75	14,25	14,72	1,97	1,18	1,77	2,24	1,69	1,30	0,28	0,49	0,59	0,79	0,33	0,57	0,16	176	1400	850
B322-500	20,47	19,69	18,19	18,66	1,97	1,18	1,77	2,24	1,69	1,30	0,28	0,49	0,59	0,79	0,33	0,57	0,16	200	1000	800
B322-600	24,41	23,62	22,13	22,60	1,97	1,18	1,77	2,24	1,69	1,30	0,28	0,49	0,59	0,79	0,33	0,57	0,16	225	900	750
B322-700	28,35	27,56	26,06	26,54	1,97	1,18	1,77	2,24	1,69	1,30	0,28	0,49	0,59	0,79	0,33	0,57	0,16	250	600	600



ART. B324

“EUROMODEL” BRIDGE HANDLE WITH THROUGH HOLE

**PROTECTED
MODEL**

MATERIAL:

Reinforced polyamide.
Oils and greases resistant.

SURFACE:

Satin.

COLOUR:

Black (RAL 9011).

CENTRAL CAP:

Grey polyamide (RAL 7035 code 13).

ALTERNATIVE CAP COLOUR:

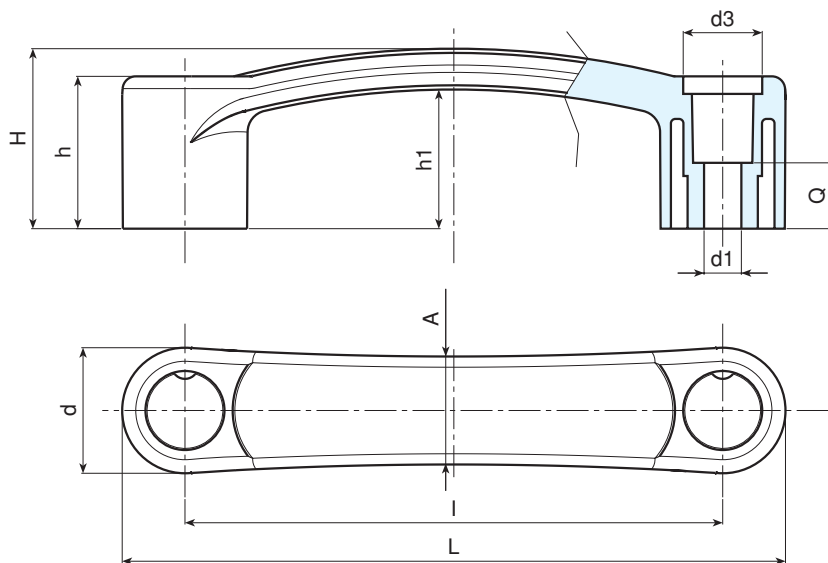
Orange (RAL 2004 cod. 02).
Blue (RAL 5015 cod. 07).
Yellow (RAL 1021 cod.10).
Red (RAL 3000 cod.16).
Green (RAL 6024 cod.17).
Black (RAL 9011 cod. 01).

HOLE :

Smooth right through hole obtained by moulding the plastic.

SPECIAL REQUESTS:

- It is possible to supply colours as shown in the table at page 19, on request and for quantities.



Art.	L	l	H	h	h1	A	d	d3	d1	Q	Weight (gr)	F1 (N)	F2 (N)
B324094.TG06.50113	118	94	37	33	30	21	24	16	6,5	14	37	2500	2000
B324117.TG06.50113	145	117	40,5	34	31,5	24	28	18	6,5	15	58	3700	3500
B324117.TG08.50113	145	117	40,5	34	31,5	24	28	18	8,5	15	57	3700	3500
B324120.TG06.50113	148	120	40,5	34	31,5	24	28	18	6,5	15	60	2900	3500
B324120.TG08.50113	148	120	40,5	34	31,5	24	28	18	8,5	15	59	2900	3500
B324132.TG08.50113	160	132	43	36,5	34	24	28	18	8,5	15	91	3200	3200
B324150.TG08.50113*	180	150	48	41	38	25	30	20	8,5	15	-	-	-
B324179.TG08.50113*	209	179	53	44	41	25	30	20	8,5	15	-	-	-

*planned

ART. B326

“EUROMODEL” BRIDGE HANDLE WITH THREADED INSERT

MATERIAL:

Reinforced polyamide.
Oils and greases resistant.

SURFACE:

Satin.

COLOUR:

Black (RAL 9011).

CENTRAL CAP:

Grey polyamide (RAL 7035 code 13).

ALTERNATIVE CAP COLOUR:

Orange (RAL 2004 cod. 02).
Blue (RAL 5015 cod. 07).
Yellow (RAL 1021 cod.10).
Red (RAL 3000 cod.16).
Green (RAL 6024 cod.17).
Black (RAL 9011 cod. 01).

MAIN INSERT:

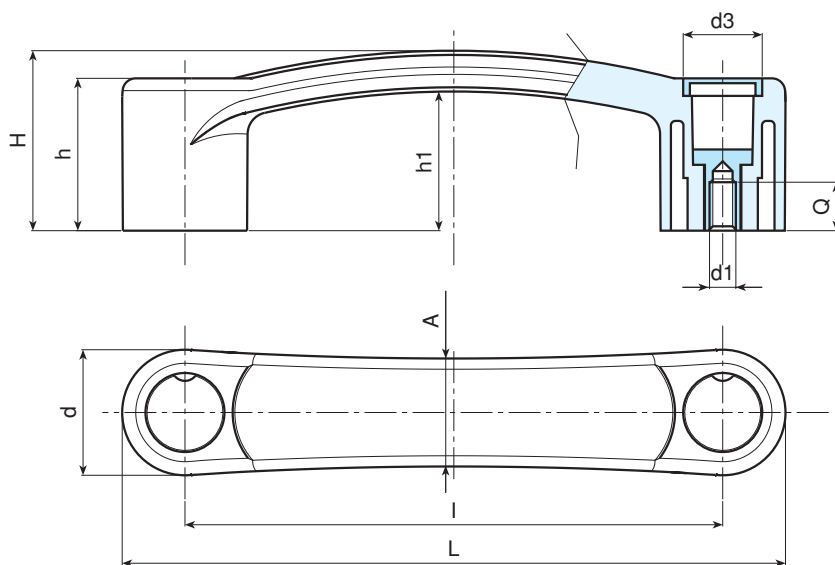
Brass blind threaded bush.

**PROTECTED
MODEL**



SPECIAL REQUESTS:

- It is possible to supply the inserts in different materials, on request and for quantities.
- It is possible to supply colours as shown in the table at page 19, on request and for quantities.



Art.	L	l	H	h	h1	A	d	d3	d1	Q	Weight (gr)	F1 (N)	F2 (N)
B326094.TM050113	118	94	37	33	30	21	24	16	M05	12	42	2000	2000
B326094.TM060113	118	94	37	33	30	21	24	16	M06	12	43	2000	2000
B326117.TM050113	145	117	40,5	34	31,5	24	28	18	M05	12	68	3400	2900
B326117.TM060113	145	117	40,5	34	31,5	24	28	18	M06	12	67	3400	2900
B326117.TM080113	145	117	40,5	34	31,5	24	28	18	M08	12	65	3400	2900
B326120.TM050113	148	120	40,5	34	31,5	24	28	18	M05	12	70	3500	1700
B326120.TM060113	148	120	40,5	34	31,5	24	28	18	M06	12	69	3500	1700
B326120.TM080113	148	120	40,5	34	31,5	24	28	18	M08	12	67	3500	1700
B326132.TM080113	160	132	43	36,5	34	24	28	18	M08	12	77	3500	2900
B326150.TM080113*	180	150	48	41	38	25	30	20	M08	12	76	-	-
B326179.TM080113*	209	179	53	44	41	25	30	20	M08	12	74	-	-

*planned



ART. B330

BRIDGE HANDLE WITH TUBE D.30

PLASTIC END BRACKET MATERIAL:

Reinforced polyamide.
Oils and greases resistant.

TUBE MATERIAL:

Anodized aluminum UNI 4321.

PLASTIC END BRACKET SURFACE:

Satin.

TUBE SURFACE:

Satin.

PLASTIC END BRACKET COLOUR:

Black (RAL 9011).

TUBE COLOUR:

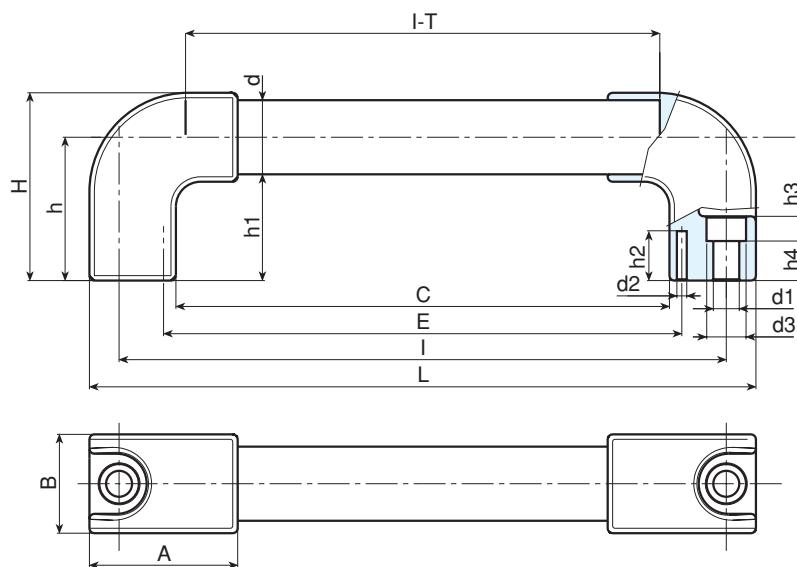
Silver.

HOLE :

Smooth right through hole obtained by moulding the plastic.

SPECIAL REQUESTS:

- It is possible to supply the bridge handle with different lengths, on request and for quantities.
- It is possible to supply the plastic end bracket with colours as shown in the table at page 19, on request and for quantities.
- It is possible to provide screw cover plugs on request.



Art.	L	I	C	E	A	B	T	H	h	h1	h4	h3	h2	d	d1	d3	d2	Weight (gr)	F1 (N)	F2 (N)
B330-200	224	200	154	164	60	40	54	77	58	43	16,5	10,5	19	30	10,5	16	4	235	3400	2900
B330-250	274	250	204	214	60	40	54	77	58	43	16,5	10,5	19	30	10,5	16	4	250	3800	3200
B330-300	324	300	254	264	60	40	54	77	58	43	16,5	10,5	19	30	10,5	16	4	270	3200	2900
B330-350	374	350	304	314	60	40	54	77	58	43	16,5	10,5	19	30	10,5	16	4	285	2700	2400
B330-400	424	400	354	364	60	40	54	77	58	43	16,5	10,5	19	30	10,5	16	4	305	2400	2200
B330-500	524	500	454	464	60	40	54	77	58	43	16,5	10,5	19	30	10,5	16	4	340	1900	1700
B330-600	624	600	554	564	60	40	54	77	58	43	16,5	10,5	19	30	10,5	16	4	370	1600	1400
B330-700	724	700	654	664	60	40	54	77	58	43	16,5	10,5	19	30	10,5	16	4	405	1400	1250



BOTECA

BRIDGE HANDLE WITH TUBE D.30

PLASTIC END BRACKET MATERIAL:

Reinforced polyamide.
Oils and greases resistant.

TUBE MATERIAL:

Anodized aluminum UNI 4321.

PLASTIC END BRACKET SURFACE:

Satin.

TUBE SURFACE:

Satin.

PLASTIC END BRACKET COLOUR:

Black (RAL 9011).

TUBE COLOUR:

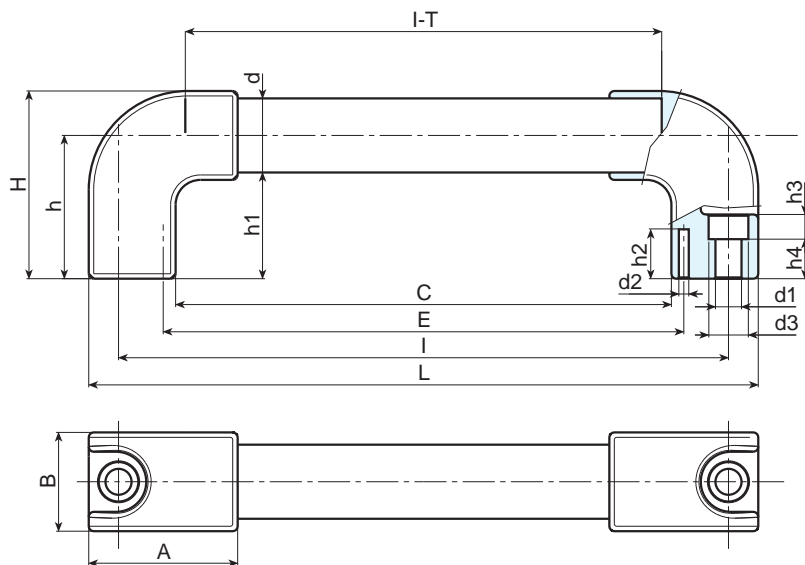
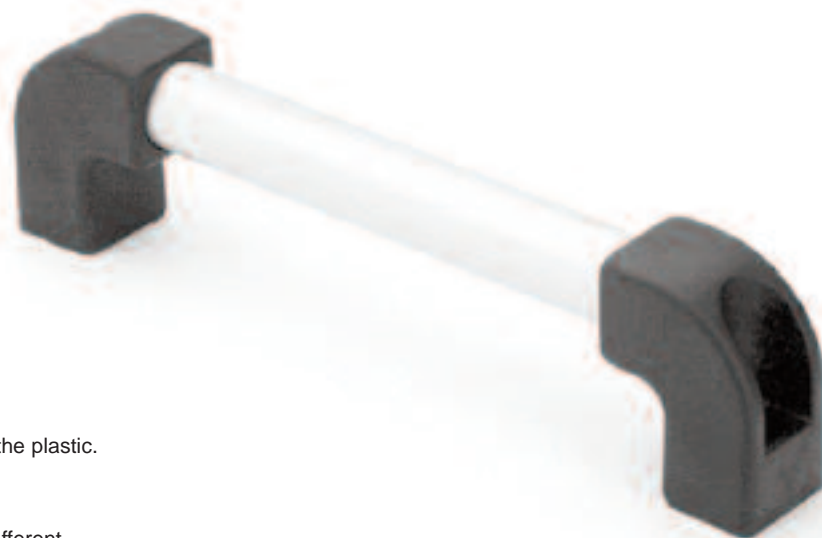
Silver.

HOLE :

Smooth right through hole obtained by moulding the plastic.

SPECIAL REQUESTS:

- It is possible to supply the bridge handle with different lengths, on request and for quantities.
- It is possible to supply the plastic end bracket with colours as shown in the table at page 19, on request and for quantities.
- It is possible to provide screw cover plugs on request.



Art.	L	I	C	E	A	B	T	H	h	h1	h4	h3	h2	d	d1	d3	d2	Weight (gr)	F1 (N)	F2 (N)
B330-200	8,82	7,87	6,06	6,46	2,36	1,57	2,13	3,03	2,28	1,69	0,47	0,59	0,75	1,18	0,41	0,63	0,16	235	3400	2900
B330-250	10,79	9,84	8,03	8,43	2,36	1,57	2,13	3,03	2,28	1,69	0,47	0,59	0,75	1,18	0,41	0,63	0,16	250	3800	3200
B330-300	12,76	11,81	10,00	10,39	2,36	1,57	2,13	3,03	2,28	1,69	0,47	0,59	0,75	1,18	0,41	0,63	0,16	270	3200	2900
B330-350	14,72	13,78	11,97	12,36	2,36	1,57	2,13	3,03	2,28	1,69	0,47	0,59	0,75	1,18	0,41	0,63	0,16	285	2700	2400
B330-400	16,69	15,75	13,94	14,33	2,36	1,57	2,13	3,03	2,28	1,69	0,47	0,59	0,75	1,18	0,41	0,63	0,16	305	2400	2200
B330-500	20,63	19,69	17,87	18,27	2,36	1,57	2,13	3,03	2,28	1,69	0,47	0,59	0,75	1,18	0,41	0,63	0,16	340	1900	1700
B330-600	24,57	23,62	21,81	22,20	2,36	1,57	2,13	3,03	2,28	1,69	0,47	0,59	0,75	1,18	0,41	0,63	0,16	370	1600	1400
B330-700	28,50	27,56	25,75	26,14	2,36	1,57	2,13	3,03	2,28	1,69	0,47	0,59	0,75	1,18	0,41	0,63	0,16	405	1400	1250



BRIDGE HANDLE WITH TUBE D.30

PLASTIC END BRACKET MATERIAL:

Reinforced polyamide.
Oils and greases resistant.

TUBE MATERIAL:

Anodized aluminum UNI 4321.

PLASTIC END BRACKET SURFACE:

Satin.

TUBE SURFACE:

Satin.

PLASTIC END BRACKET COLOUR:

Black (RAL 9011).

TUBE COLOUR:

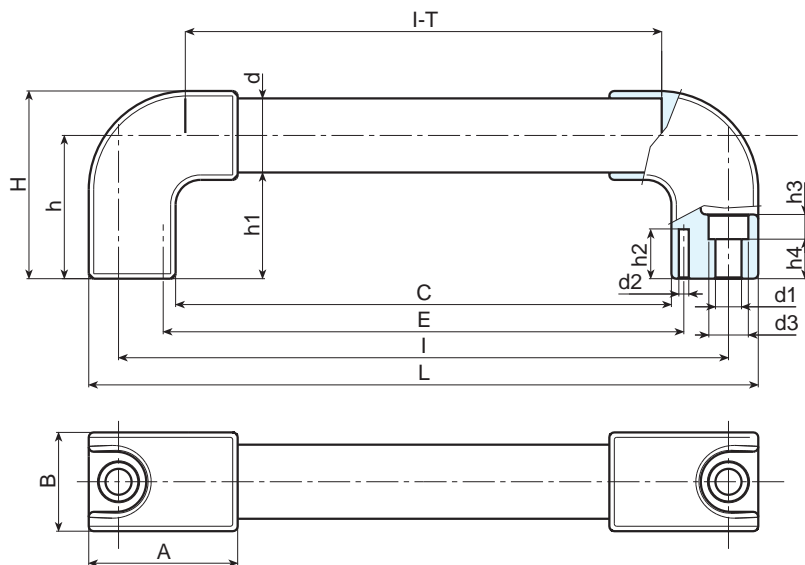
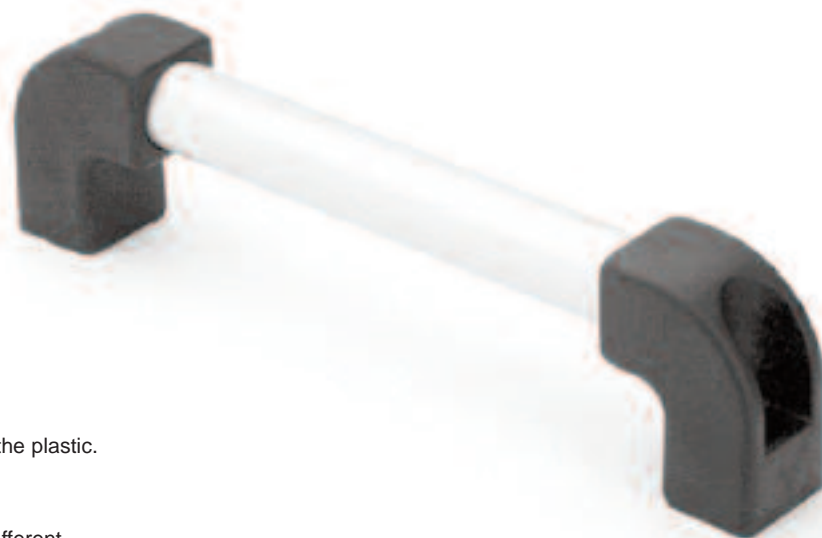
Silver.

HOLE :

Smooth right through hole obtained by moulding the plastic.

SPECIAL REQUESTS:

- It is possible to supply the bridge handle with different lengths, on request and for quantities.
- It is possible to supply the plastic end bracket with colours as shown in the table at page 19, on request and for quantities.
- It is possible to provide screw cover plugs on request.



Art.	L	I	C	E	A	B	T	H	h	h1	h4	h3	h2	d	d1	d3	d2	Weight (gr)	F1 (N)	F2 (N)
B330-200	8,82	7,87	6,06	6,46	2,36	1,57	2,13	3,03	2,28	1,69	0,47	0,59	0,75	1,18	0,41	0,63	0,16	235	3400	2900
B330-250	10,79	9,84	8,03	8,43	2,36	1,57	2,13	3,03	2,28	1,69	0,47	0,59	0,75	1,18	0,41	0,63	0,16	250	3800	3200
B330-300	12,76	11,81	10,00	10,39	2,36	1,57	2,13	3,03	2,28	1,69	0,47	0,59	0,75	1,18	0,41	0,63	0,16	270	3200	2900
B330-350	14,72	13,78	11,97	12,36	2,36	1,57	2,13	3,03	2,28	1,69	0,47	0,59	0,75	1,18	0,41	0,63	0,16	285	2700	2400
B330-400	16,69	15,75	13,94	14,33	2,36	1,57	2,13	3,03	2,28	1,69	0,47	0,59	0,75	1,18	0,41	0,63	0,16	305	2400	2200
B330-500	20,63	19,69	17,87	18,27	2,36	1,57	2,13	3,03	2,28	1,69	0,47	0,59	0,75	1,18	0,41	0,63	0,16	340	1900	1700
B330-600	24,57	23,62	21,81	22,20	2,36	1,57	2,13	3,03	2,28	1,69	0,47	0,59	0,75	1,18	0,41	0,63	0,16	370	1600	1400
B330-700	28,50	27,56	25,75	26,14	2,36	1,57	2,13	3,03	2,28	1,69	0,47	0,59	0,75	1,18	0,41	0,63	0,16	405	1400	1250



ART. B331

BRACKET FOR HANDLE WITH TUBE D.30

MATERIAL:

Reinforced polyamide.
Oils and greases resistant.

SURFACE:

Satin.

COLOUR:

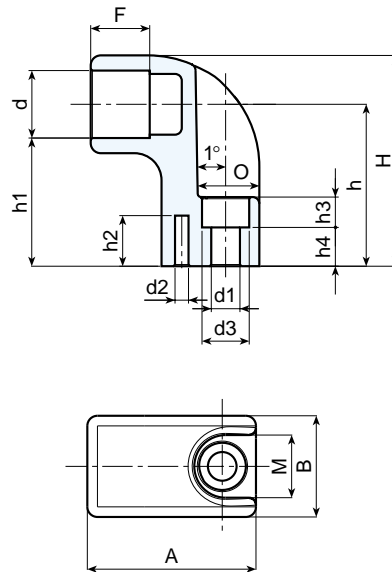
Black (RAL 9011).

HOLE :

Smooth right through hole obtained by moulding the plastic.

SPECIAL REQUESTS:

- It is possible to supply colours as shown in the table at page 19, on request and for quantities.
- It is possible to provide screw cover plugs on request.



Art.	d	d1	d3	d2	A	B	H	h	h1	h4	h3	h2	M	O	F	Weight (gr)
B331	30	10,5	16	4	60	40	77	58	43	12	15	19	23	22	21	92



BRACKET FOR BRIDGE HANDLE WITH TUBE D.30

MATERIAL:

Reinforced polyamide.
Oils and greases resistant.

SURFACE:

Satin.

COLOUR:

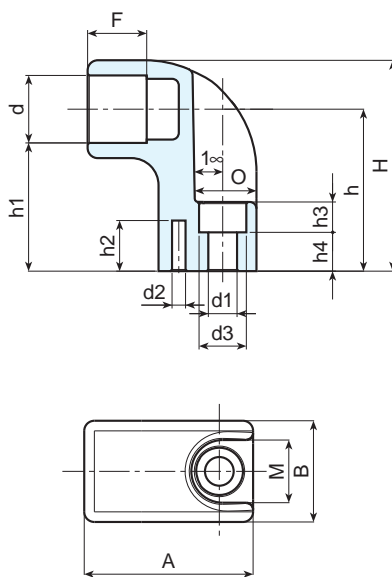
Black (RAL 9011).

HOLE :

Smooth right through hole obtained by moulding the plastic.

SPECIAL REQUESTS:

- It is possible to supply colours as shown in the table at page 19, on request and for quantities.
- It is possible to provide screw cover plugs on request.



Art.	d	d1	d3	d2	A	B	H	h	h1	h4	h3	h2	M	O	F	Weight (gr)
B331	1,18	0,41	0,63	0,16	2,36	1,57	3,03	2,28	1,69	0,47	0,59	0,75	0,91	0,87	0,83	92



ART. B332

HANDLE WITH TUBE D.30

PLASTIC END BRACKET MATERIAL:

Reinforced polyamide.
Oils and greases resistant.

TUBE MATERIAL:

Anodized aluminum UNI 4321.

PLASTIC END BRACKET SURFACE:

Satin.

TUBE SURFACE:

Satin.

PLASTIC END BRACKET COLOUR:

Black (RAL 9011).

TUBE COLOUR:

Black marbled.

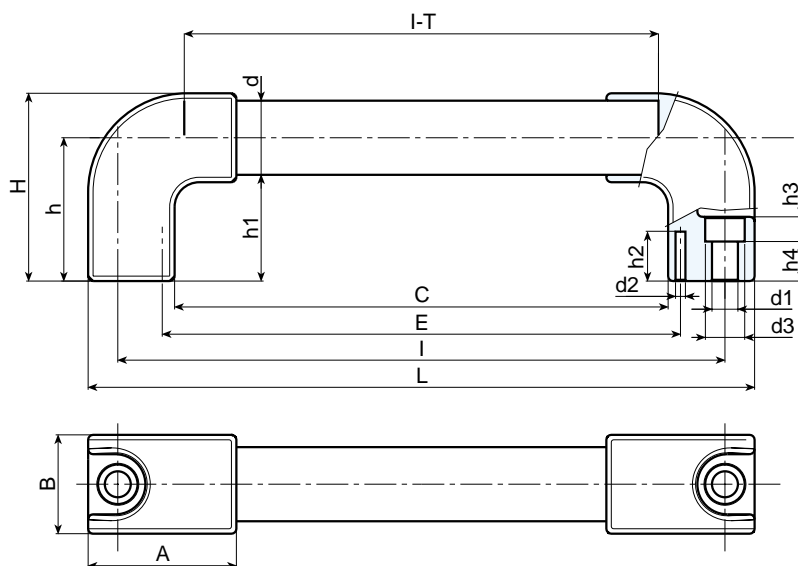
HOLE :

Smooth right through hole obtained by moulding the plastic.



SPECIAL REQUESTS:

- It is possible to supply the handle with different lengths, on request and for quantities.
- It is possible to supply the plastic end bracket with colours as shown in the table at page 19, on request and for quantities.
- It is possible to provide screw cover plugs on request.



Art.	L	I	C	E	A	B	T	H	h	h1	h4	h3	h2	d	d1	d3	d2	Weight (gr)	F1 (N)	F2 (N)
B332-200	224	200	154	164	60	40	54	77	58	43	12	15	19	30	10,5	16	4	235	3400	2900
B332-250	274	250	204	214	60	40	54	77	58	43	12	15	19	30	10,5	16	4	250	3800	3200
B332-300	324	300	254	264	60	40	54	77	58	43	12	15	19	30	10,5	16	4	270	3200	2900
B332-350	374	350	304	314	60	40	54	77	58	43	12	15	19	30	10,5	16	4	285	2700	2400
B332-400	424	400	354	364	60	40	54	77	58	43	12	15	19	30	10,5	16	4	305	2400	2200
B332-500	524	500	454	464	60	40	54	77	58	43	12	15	19	30	10,5	16	4	340	1900	1700
B332-600	624	600	554	564	60	40	54	77	58	43	12	15	19	30	10,5	16	4	370	1600	1400
B332-700	724	700	654	664	60	40	54	77	58	43	12	15	19	30	10,5	16	4	405	1400	1250

HANDLES



BOTECA

BRIDGE HANDLE WITH TUBE D.30

PLASTIC END BRACKET MATERIAL:

Reinforced polyamide.
Oils and greases resistant.

TUBE MATERIAL:

Anodized aluminum UNI 4321.

PLASTIC END BRACKET SURFACE:

Satin.

TUBE SURFACE:

Satin.

PLASTIC END BRACKET COLOUR:

Black (RAL 9011).

TUBE COLOUR:

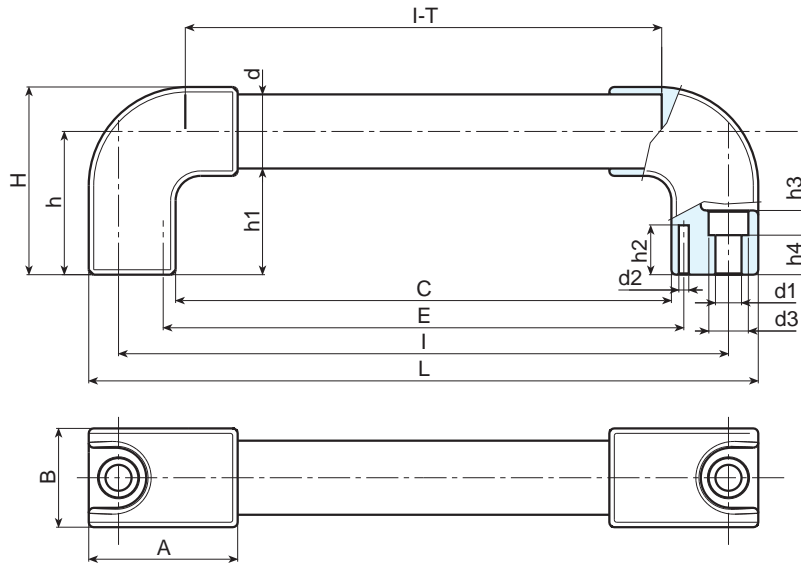
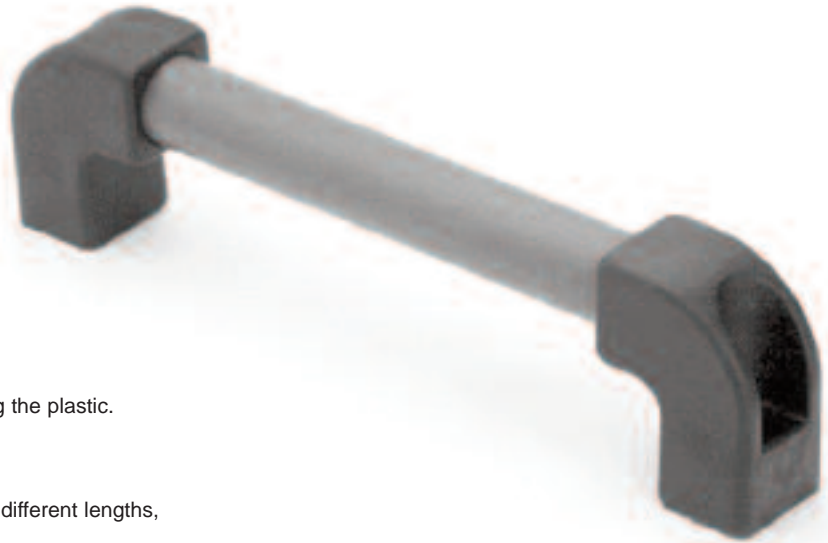
Black marbled.

HOLE :

Smooth right through hole obtained by moulding the plastic.

SPECIAL REQUESTS:

- It is possible to supply the bridge handle with different lengths, on request and for quantities.
- It is possible to supply the plastic end bracket with colours as shown in the table at page 19, on request and for quantities.
- It is possible to provide screw cover plugs on request.



Art.	L	I	C	E	A	B	T	H	h	h1	h4	h3	h2	d	d1	d3	d2	Weight (gr)	F1 (N)	F2 (N)
B330-200	8,82	7,87	6,06	6,46	2,36	1,57	2,13	3,03	2,28	1,69	0,47	0,59	0,75	1,18	0,41	0,63	0,16	235	3400	2900
B330-250	10,79	9,84	8,03	8,43	2,36	1,57	2,13	3,03	2,28	1,69	0,47	0,59	0,75	1,18	0,41	0,63	0,16	250	3800	3200
B330-300	12,76	11,81	10,00	10,39	2,36	1,57	2,13	3,03	2,28	1,69	0,47	0,59	0,75	1,18	0,41	0,63	0,16	270	3200	2900
B330-350	14,72	13,78	11,97	12,36	2,36	1,57	2,13	3,03	2,28	1,69	0,47	0,59	0,75	1,18	0,41	0,63	0,16	285	2700	2400
B330-400	16,69	15,75	13,94	14,33	2,36	1,57	2,13	3,03	2,28	1,69	0,47	0,59	0,75	1,18	0,41	0,63	0,16	305	2400	2200
B330-500	20,63	19,69	17,87	18,27	2,36	1,57	2,13	3,03	2,28	1,69	0,47	0,59	0,75	1,18	0,41	0,63	0,16	340	1900	1700
B330-600	24,57	23,62	21,81	22,20	2,36	1,57	2,13	3,03	2,28	1,69	0,47	0,59	0,75	1,18	0,41	0,63	0,16	370	1600	1400
B330-700	28,50	27,56	25,75	26,14	2,36	1,57	2,13	3,03	2,28	1,69	0,47	0,59	0,75	1,18	0,41	0,63	0,16	405	1400	1250

