

# ART. N240

## CONTROL KNOB WITH METAL INSERT AND THROUGH HOLE

**MATERIAL:**

Reinforced polyamide.  
Oils and greases resistant.

**SURFACE:**

Satin.

**COLOUR:**

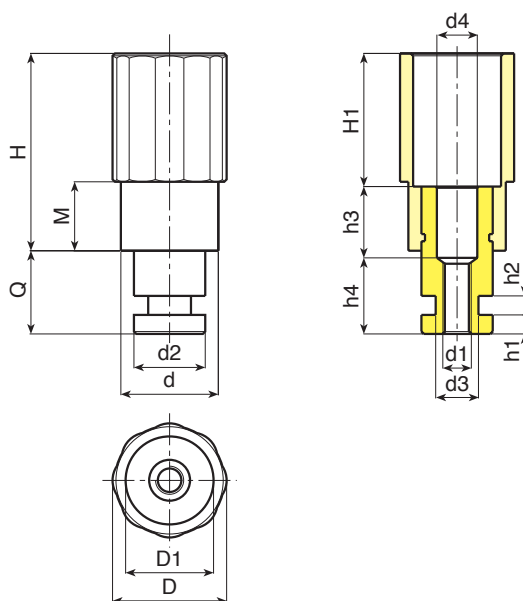
Black (RAL 9011).

**MAIN INSERT:**

Zinc plated steel right through hole.

**SPECIAL REQUESTS:**

- None.



Art.	D	D1	d	H	H1	M	Q	d2	d1	d3	d4	h1	h2	h3	h4
N24040.T	39	21	32	63	33	12	25÷40	20÷30	•	•	•	•	•	•	•
N24050.T	48	36	41	83	55	29	25÷40	28÷30	•	•	•	•	•	•	•

• Sizes: to customer's specifications.



**BOTECA**

# CONTROL KNOB WITH METAL INSERT AND THROUGH HOLE

**MATERIAL:**

Reinforced polyamide.  
Oils and greases resistant.

**SURFACE:**

Satin.

**COLOUR:**

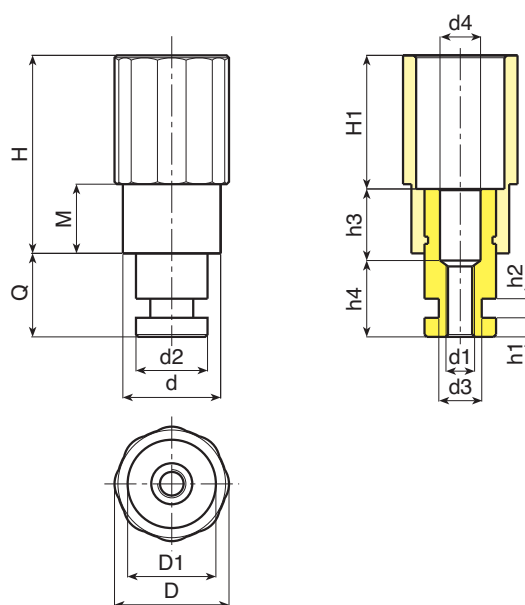
Black (RAL 9011).

**MAIN INSERT:**

Zinc plated steel right through hole.

**SPECIAL REQUESTS:**

- None.



Art.	D	D1	d	H	H1	M	Q	d2	d1	d3	d4	h1	h2	h3	h4
N240-40	1,54	0,83	1,26	2,48	1,30	0,47	0,98÷1,57	0,79	•	•	•	•	•	•	•
N240-50	1,89	1,42	1,61	3,27	2,17	1,14	0,98÷1,57	1,10÷1,18	•	•	•	•	•	•	•

\* Sizes: to customer's specifications.



# ART. N241

## CONTROL KNOB WITH CAP AND THREADED INSERT

**MATERIAL:**

Reinforced polyamide.  
Oils and greases resistant.

**SURFACE:**

Satin.

**COLOUR:**

Black (RAL 9011).

**CENTRAL CAP:**

Grey ABS (RAL 7035 code 13).

**ALTERNATIVE CAP COLOUR:**

Orange (RAL 2004 cod. 02).  
Blue (RAL 5015 cod. 07).  
Yellow (RAL 1021 cod.10).  
Red (RAL 3000 cod.16).  
Green (RAL 6024 cod.17).  
Black (RAL 9011 cod. 01).

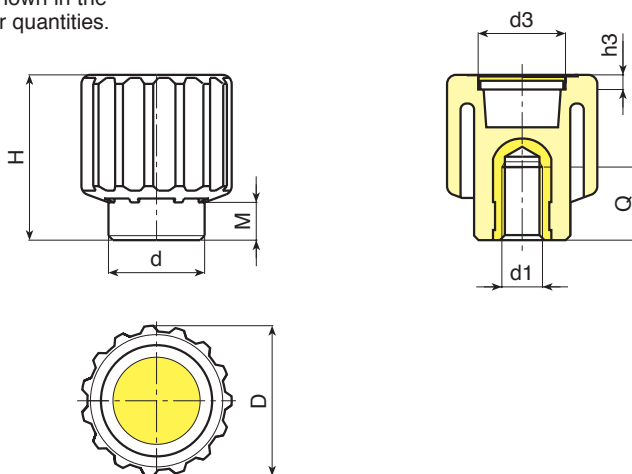
**MAIN INSERT:**

Brass blind threaded bush.  
(\* ) Zinc plated steel blind threaded bush.



**SPECIAL REQUESTS:**

- Upon request and for special quantities inserts are available with smooth hole d1 with H7 tolerance.
- It is possible to supply the inserts in different materials, on request and for quantities.
- It is possible to supply colours as shown in the table at page 15, on request and for quantities.



Art.	D	H	M	d	d3	h3	d1	Q	Weight (gr)
N24150.TM0801	49	55	13	32	34	5	M08	20	72
N24150.TM1001	49	55	13	32	34	5	M10	18	72
N24150.TM1201	49	55	13	32	34	5	M12	18	73
N24150.TM1401	49	55	13	32	34	5	M14	18	73
N24150.TM1601	49	55	13	32	34	5	M16 (*)	16	76



**BOTECA**

# ART. N244

## CONTROL KNOB WITH METAL INSERT AND THROUGH HOLE

**MATERIAL:**

Reinforced polyamide.  
Oils and greases resistant.

**SURFACE:**

Satin.

**COLOUR:**

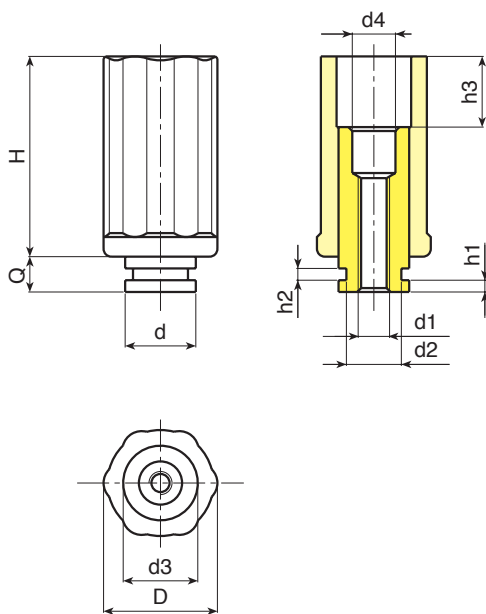
Black (RAL 9011).

**MAIN INSERT:**

Zinc plated steel right through hole.

**SPECIAL REQUESTS:**

- None.



CONTROL KNOBS

Art.	D	H	d3	h3	Q	d	d1	d2	d4	h1	h2
N24430.T	30	51	19	18	•	•	•	•	•	•	•
N24450.T	50	84	28	53	•	•	•	•	•	•	•

• Sizes: to customer's specifications.



BOTECA

# CONTROL KNOB WITH METAL INSERT AND THROUGH HOLE

**MATERIAL:**

Reinforced polyamide.  
Oils and greases resistant.

**SURFACE:**

Satin.

**COLOUR:**

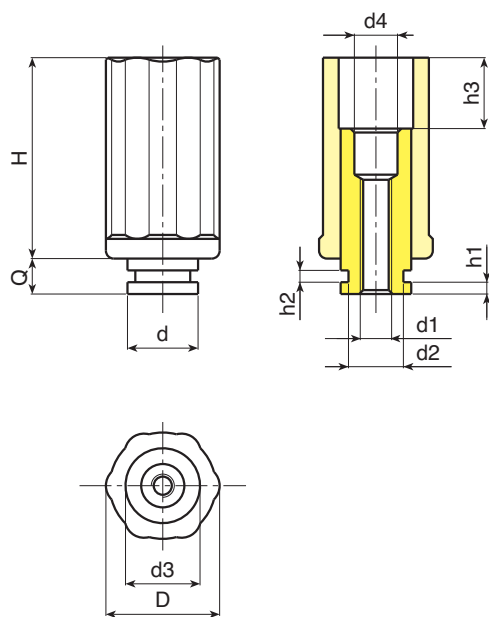
Black (RAL 9011).

**MAIN INSERT:**

Zinc plated steel right through hole.

**SPECIAL REQUESTS:**

- None.



Art.	D	H	d3	h3	Q	d	d1	d2	d4	h1	h2
N244-30	1,18	2,01	0,75	0,71	•	•	•	•	•	•	•
N244-50	1,97	3,31	1,10	2,09	•	•	•	•	•	•	•

• Sizes: to customer's specifications.



## KNURLED CONTROL KNOB WITH THREADED STUD

**MATERIAL:**  
Reinforced polyamide.  
Oils and greases resistant.

**SURFACE:**  
Satin.

**COLOUR:**  
Black (RAL 9011).

**PUSH FIT CENTRAL CAP:**  
Grey ABS (RAL 7035 code 13).

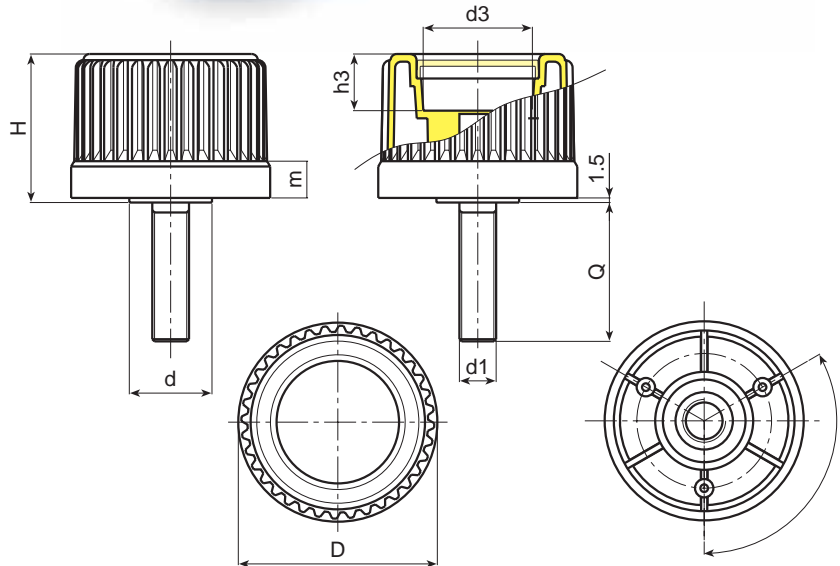
**MAIN INSERT:**  
Zinc plated steel threaded stud.

(\*) Fixing side flange.



**SPECIAL REQUESTS:**

- It is possible to supply the inserts with different lengths, on request and for quantities.
- Upon request and for special quantities smooth or partially threaded inserts are available.
- It is possible to supply the inserts in different materials, on request and for quantities.
- It is possible to supply colours as shown in the table at page 15, on request and for quantities.



Art.	D	H	m	d	d3	h3	d1	Q	LM	Weight (gr)
N24530.TM08X..01(*)	30	32	13	20	17	6	M08	20-40	45	23-30
N24530.TM10X..01(*)	30	32	13	20	17	6	M10	20-40	45	29-39
N24530.TM12X..01(*)	30	32	13	20	17	6	M12	20-40	45	36-50
N24543.TM08X..01	43	38	14	23	23	14	M08	20-30-50	90	49-52-59
N24543.TM10X..01	43	38	14	23	23	14	M10	20-30-50	90	55-60-70
N24543.TM12X..01	43	38	14	23	23	14	M12	20-30-50	90	64-71-86
N24543.TM14X..01	43	38	14	23	23	14	M14	30-50	90	83-101
N24554.TM10X..01	54	44	14	27	30	14	M10	20-40	100	82-91
N24554.TM12X..01	54	44	14	27	30	14	M12	30-50	100	97-111
N24554.TM14X5001	54	44	14	27	30	14	M14	50	100	130
N24565.TM12X..01	65	49	14	27	36	19	M12	30-50	120	-
N24565.TM14X5001	65	49	14	27	36	19	M14	50	120	-
N24565.TM16X6001	65	49	14	27	36	19	M16	60	120	-
N24578.TM10X4001(°)	78	56	15	31	52	24	M10	40	120	-
N24578.TM12X5001(°)	78	56	15	31	52	24	M12	50	120	-
N24578.TM14X6001(°)	78	56	15	31	52	24	M14	60	120	-

(°) December 2007 2007

LM = Maximum mouldable length

Enter the stud length in the two .. of the code number.



# ART. N740

## KNURLED CONTROL KNOB WITH THREADED INSERT

**MATERIAL:**

Reinforced polyamide.  
Oils and greases resistant.

**SURFACE:**

Satin.

**COLOUR:**

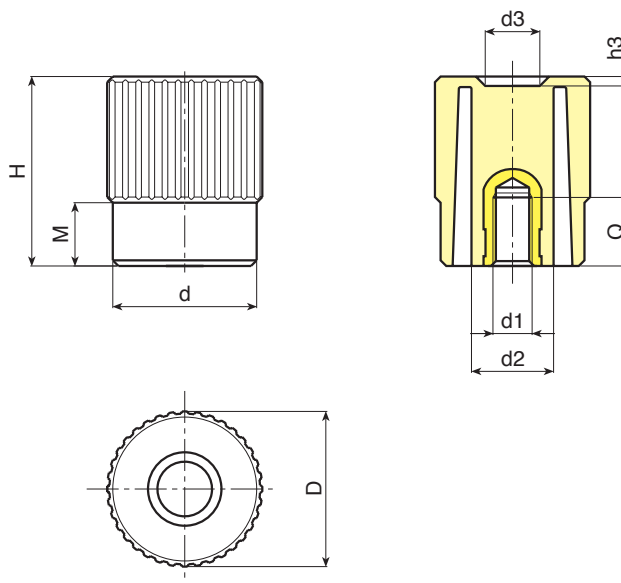
Black (RAL 9011).

**MAIN INSERT:**

Brass blind threaded bush.

**SPECIAL REQUESTS:**

- It is possible to supply the inserts in different materials, on request and for quantities.
- It is possible to supply colours as shown in the table at page 15, on request and for quantities.



Art.	D	H	M	h3	d	d2	d3	d1	Q	Weight (gr)
N74040.TM0601	41	51	16,5	2	38	22	14,5	M06	15	58
N74040.TM0801	41	51	16,5	2	38	22	14,5	M08	20	60
N74040.TM1001	41	51	16,5	2	38	22	14,5	M10	18	61
N74040.TM1201	41	51	16,5	2	38	22	14,5	M12	18	62
N74040.TM1401	41	51	16,5	2	38	22	14,5	M14	18	63

CONTROL KNOBS



BOTECA

**ART. N740**

## KNURLED CONTROL KNOB WITH THREADED INSERT

**MATERIAL:**

Reinforced polyamide.  
Oils and greases resistant.

**SURFACE:**

Satin.

**COLOUR:**

Black (RAL 9011).

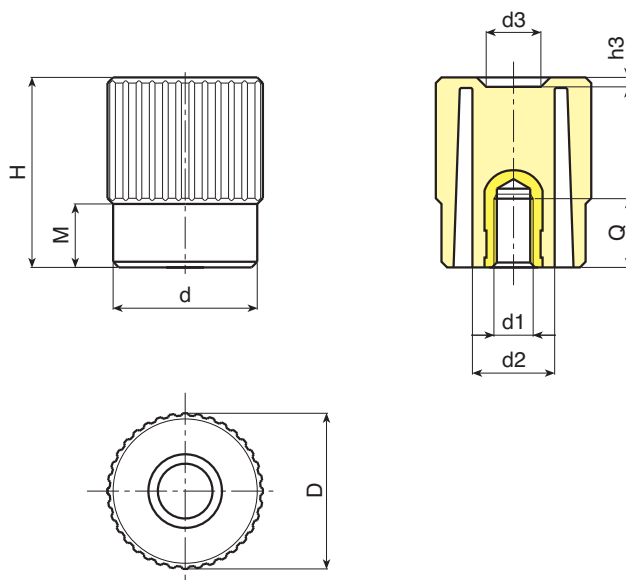
**MAIN INSERT:**

Brass blind threaded bush.



**SPECIAL REQUESTS:**

- It is possible to supply the inserts in different materials, on request and for quantities.
- It is possible to supply colours as shown in the table at page 15, on request and for quantities.



Art.	D	H	M	h3	d	d2	d3	d1	Q	Weight (gr)
N740-40 5/16-18	1,61	2,01	0,65	0,08	1,50	0,87	0,57	5/16-18	0,79	60
N740-40 3/8-16	1,61	2,01	0,65	0,08	1,50	0,87	0,57	3/8-16	0,71	61
N740-40 1/2-13	1,61	2,01	0,65	0,08	1,50	0,87	0,57	1/2-13	0,71	62



**BOTECA**





# ART. N741

## KNURLED CONTROL KNOB WITH THREADED STUD

**MATERIAL:**

Reinforced polyamide.  
Oils and greases resistant.

**SURFACE:**

Satin.

**COLOUR:**

Black (RAL 9011).

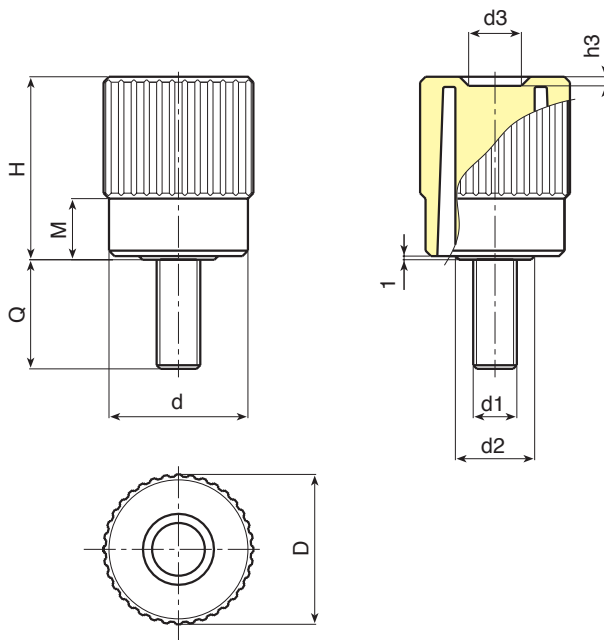
**MAIN INSERT:**

Zinc plated steel threaded stud.  
Maximum mouldable length:  
N741-38: 90mm



**SPECIAL REQUESTS:**

- It is possible to supply the inserts with different lengths, on request and for quantities.
- Upon request and for special quantities smooth or partially threaded inserts are available.
- It is possible to supply the inserts in different materials, on request and for quantities.
- It is possible to supply colours as shown in the table at page 15, on request and for quantities.



Art.	D	H	M	h3	d	d2	d3	d1	Q	Weight (gr)
N74140.TM10X..01	41	51	16,5	2	38	22	14,5	M10	20-25-30-35-40	86-88-91-93-95
N74140.TM12X..01	41	51	16,5	2	38	22	14,5	M12	20-25-30-35-40	97-100-103-107-110
N74140.TM14X..01	41	51	16,5	2	38	22	14,5	M14	20-25-30-35-40	100-105-110-115-120

Enter the stud length in the two .. of the code number.

---



---



---



---



---



---



**BOTECA**

## KNURLED CONTROL KNOB WITH THREADED STUD

**MATERIAL:**

Reinforced polyamide.  
Oils and greases resistant.

**SURFACE:**

Satin.

**COLOUR:**

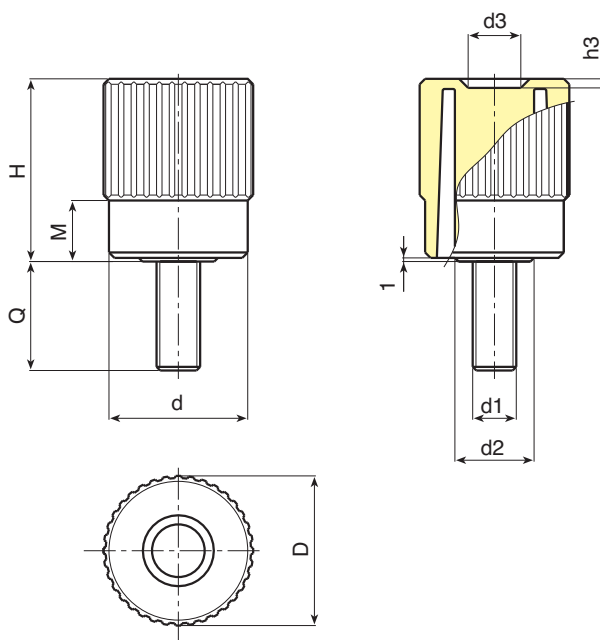
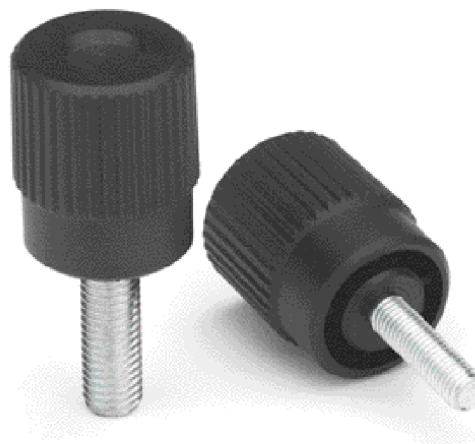
Black (RAL 9011).

**MAIN INSERT:**

Zinc plated steel threaded stud.

**SPECIAL REQUESTS:**

- It is possible to supply the inserts with different lengths, on request and for quantities.
- It is possible to supply the inserts in different materials, on request and for quantities.
- It is possible to supply colours as shown in the table at page 15, on request and for quantities.



Art.	D	H	M	h3	d	d2	d3	d1	Q
N741-40 3/8-16	1,61	2,01	0,65	0,08	1,50	0,87	0,57	3/8-16	0,75-1-1,25-1,5
N741-40 1/2-13	1,61	2,01	0,65	0,08	1,50	0,87	0,57	1/2-13	0,75-1-1,25-1,5



# ART. N742

## KNURLED CONTROL KNOB WITH SMOOTH BORED INSERT

**MATERIAL:**

Reinforced polyamide.  
Oils and greases resistant.

**SURFACE:**

Satin.

**COLOUR:**

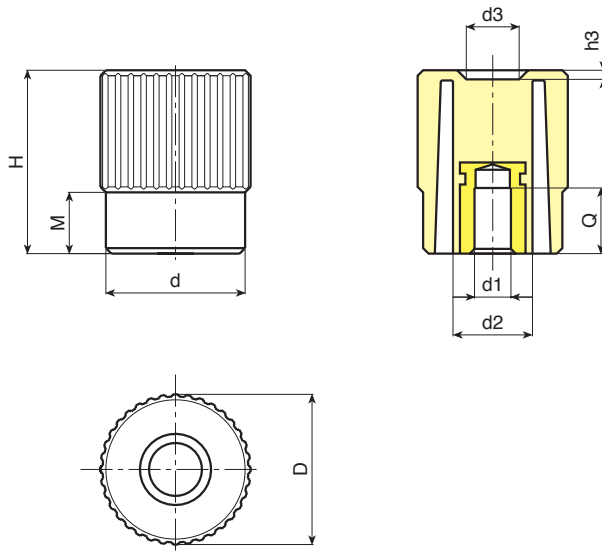
Black (RAL 9011).

**MAIN INSERT:**

Zinc plated steel blind bored bush  
with H7 tolerance.

**SPECIAL REQUESTS:**

- It is possible to supply the inserts with d1 diameter by customer design, on request and for quantities.
- It is possible to supply the inserts in different materials, on request and for quantities.
- It is possible to supply colours as shown in the table at page 15, on request and for quantities.



Art.	D	H	M	h3	d	d2	d3	dm	d1 H7	Q	Weight (gr)
N74240.TD0501	41	51	16,5	2	38	22	14,5	14	8	22	90
N74240.TD1001	41	51	16,5	2	38	22	14,5	14	10	18	80

It's possible to increase the hole, by boring, until dm.



**BOTECA**

ART. N742

## KNURLED CONTROL KNOB WITH SMOOTH BORED INSERT

**MATERIAL:**

Reinforced polyamide.  
Oils and greases resistant.

**SURFACE:**

Satin.

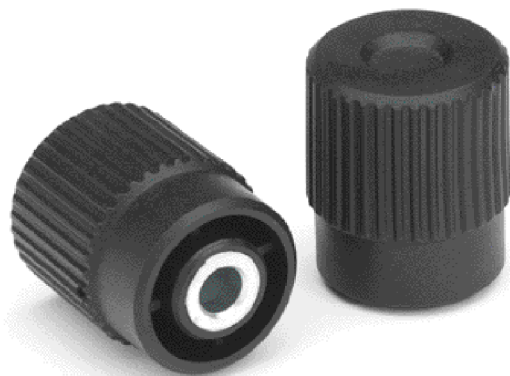
**COLOUR:**

Black (RAL 9011).

**MAIN INSERT:**

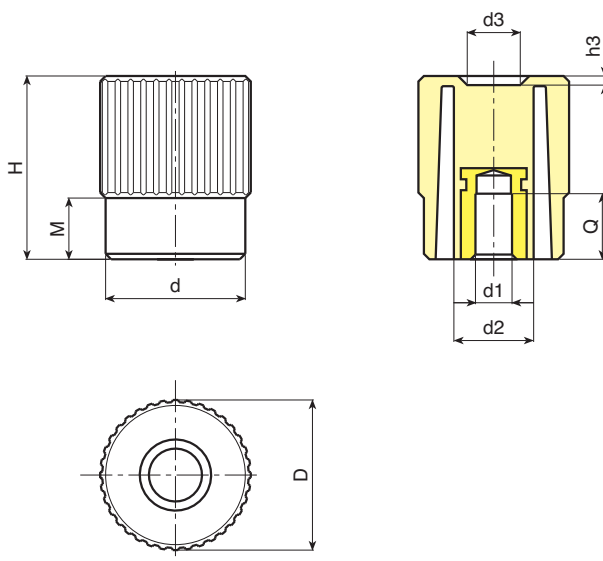
Zinc plated steel blind bored bush  
with H7 tolerance.

It's possible to increase the hole,  
by boring, until 0,55 mm.



**SPECIAL REQUESTS:**

- It is possible to supply the inserts with d1 diameter by customer design, on request and for quantities.
- It is possible to supply the inserts in different materials, on request and for quantities.
- It is possible to supply colours as shown in the table at page 15, on request and for quantities.



Art.	D	H	M	h3	d	d2	d3	d1 H7	Q	Weight (gr)
N742-40 5/16	1,61	2,01	0,65	0,08	1,50	0,87	0,57	5/16	0,87	90



BOTECO



CONTROL KNOBS

# ART. N775

## CONTROL KNOB WITH THREADED INSERT

**MATERIAL:**

Reinforced polyamide.  
Oils and greases resistant.

**SURFACE:**

Satin.

**COLOUR:**

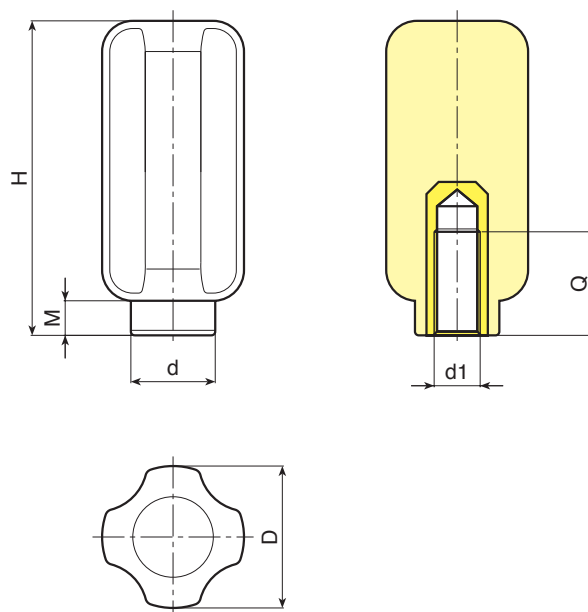
Black (RAL 9011).

**MAIN INSERT:**

Zinc plated steel blind threaded bush.

**SPECIAL REQUESTS:**

- It is possible to supply the inserts in different materials, on request and for quantities.



Art.	D	H	M	d	d1	Q	Weight (gr)
N77538.TM0801	37	81	9	22	M08	20	94
N77538.TM1001	37	81	9	22	M10	20	128
N77538.TM1201	37	81	9	22	M12	27	116
N77538.TM1401	37	81	9	22	M14	27	135
N77538.TM1601	37	81	9	22	M16	16	116



**BOTECA**

**ART. N775**

## CONTROL KNOB WITH THREADED INSERT

**MATERIAL:**

Reinforced polyamide.  
Oils and greases resistant.

**SURFACE:**

Satin.

**COLOUR:**

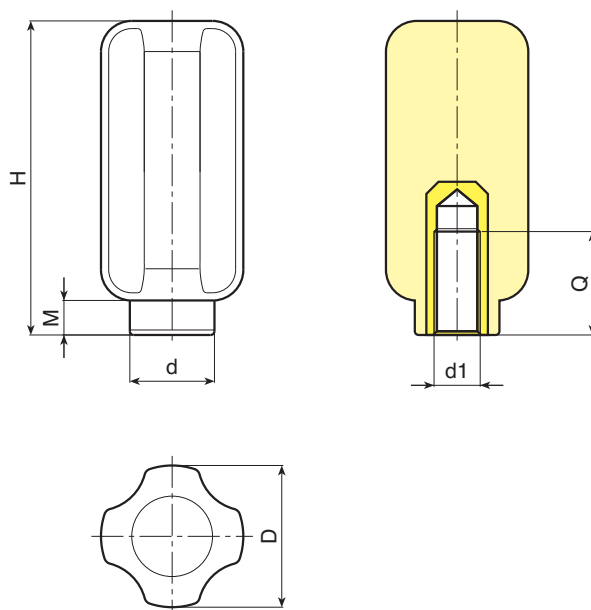
Black (RAL 9011).

**MAIN INSERT:**

Zinc plated steel blind threaded bush.

**SPECIAL REQUESTS:**

- It is possible to supply the inserts in different materials, on request and for quantities.



Art.	D	H	M	d	d1	Q	Weight (gr)
N775-38 5/16-18	1,46	3,19	0,35	0,87	5/16-18	0,79	94
N775-38 3/8-16	1,46	3,19	0,35	0,87	3/8-16	0,79	128
N775-38 1/2-13	1,46	3,19	0,35	0,87	1/2-13	1,06	116
N775-38 5/8-11	1,46	3,19	0,35	0,87	5/8-11	0,63	116

CONTROL KNOBS



**BOTECO**



# ART. N776

## CONTROL KNOB WITH THREADED STUD

**MATERIAL:**

Reinforced polyamide.  
Oils and greases resistant.

**SURFACE:**

Satin.

**COLOUR:**

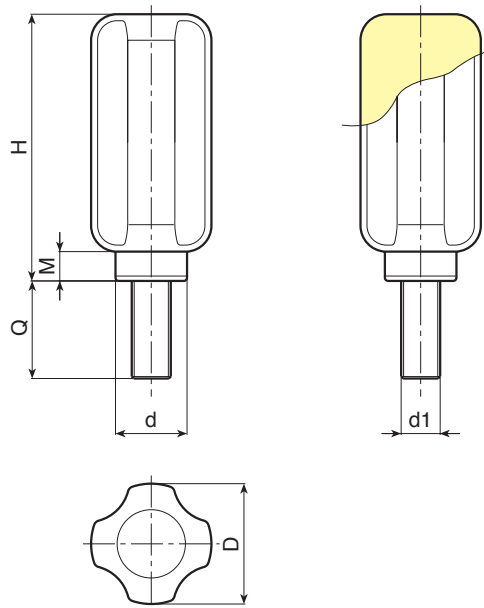
Black (RAL 9011).

**MAIN INSERT:**

Zinc plated steel threaded stud.  
Maximum mouldable length:  
N776-22: 100mm

**SPECIAL REQUESTS:**

- It is possible to supply the inserts with different lengths, on request and for quantities.
- It is possible to supply the inserts in different materials, on request and for quantities.



Art.	D	H	M	d	d1	Q	Weight (gr)
N77638.TM10X..01	37	81	9	22	M10	20-40	126-137
N77638.TM12X..01	37	81	9	22	M12	30-40-50	135-143-150

Enter the stud length in the two .. of the code number.

---



---



---



---



---



---



---



---



**BOTECA**

**ART. N776**

## CONTROL KNOB WITH THREADED STUD

**MATERIAL:**

Reinforced polyamide.  
Oils and greases resistant.

**SURFACE:**

Satin.

**COLOUR:**

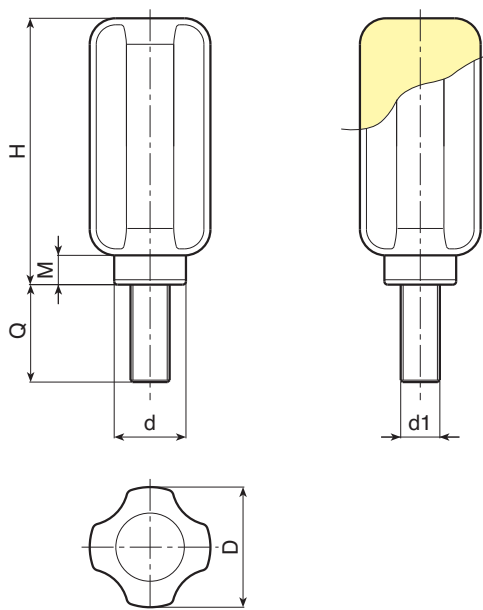
Black (RAL 9011).

**MAIN INSERT:**

Zinc plated steel threaded stud.

**SPECIAL REQUESTS:**

- It is possible to supply the inserts with different lengths, on request and for quantities.
- It is possible to supply the inserts in different materials, on request and for quantities.



Art.	D	H	M	d	d1	Q
N776-38 3/8-16	1,46	3,19	0,35	0,87	3/8-16	0,75-1,5
N776-38 1/2-13	1,46	3,19	0,35	0,87	1/2-13	0,75-1,5



**BOTECO**





# ART. N777

## CONTROL KNOB WITH SMOOTH BORED INSERT

**MATERIAL:**

Reinforced polyamide.  
Oils and greases resistant.

**SURFACE:**

Satin.

**COLOUR:**

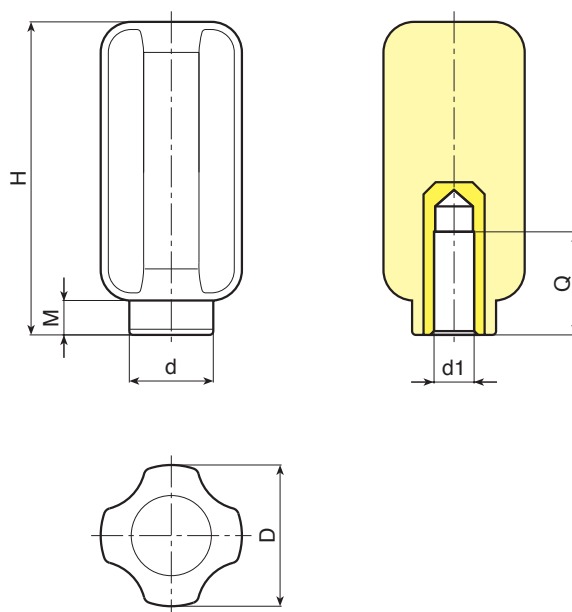
Black (RAL 9011).

**MAIN INSERT:**

Zinc plated steel blind bored bush  
with H7 tolerance.

**SPECIAL REQUESTS:**

- It is possible to supply the inserts with d1 diameter by customer design, on request and for quantities.
- It is possible to supply the inserts in different materials, on request and for quantities.



Art.	D	H	M	d	dm	d1 H7	Q	Weight (gr)
N77738.TD1001	37	81	9	22	14	10	25	108
N77738.TD1401	37	81	9	22	14	14	22	130

It's possible to increase the hole, by boring, until **dm**.



**BOTECA**

## CONTROL KNOB WITH SMOOTH BORED INSERT

**MATERIAL:**

Reinforced polyamide.  
Oils and greases resistant.

**SURFACE:**

Satin.

**COLOUR:**

Black (RAL 9011).

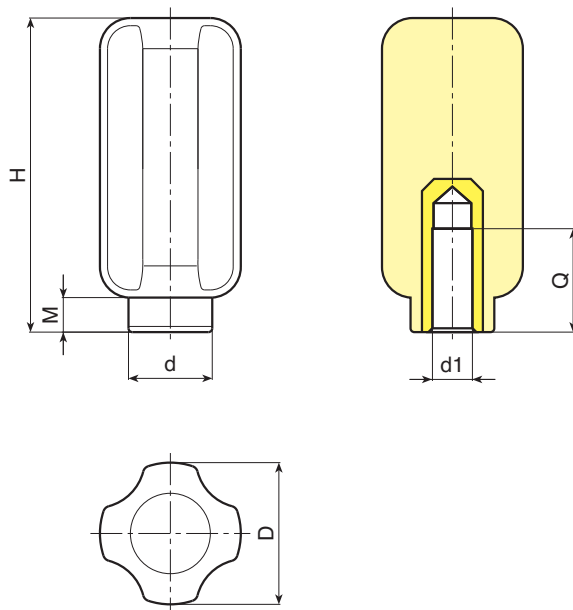
**MAIN INSERT:**

Zinc plated steel blind bored bush  
with H7 tolerance.

It's possible to increase the hole,  
by boring, until 0,55 mm.

**SPECIAL REQUESTS:**

- It is possible to supply the inserts with d1 diameter by customer design, on request and for quantities.
- It is possible to supply the inserts in different materials, on request and for quantities.



Art.	D	H	M	d	d1 H7	Q	Weight (gr)
N777-38 3/8-16	1,46	3,19	0,35	0,87	3/8-16	0,98	108



# ART. NFLAN

## FLANGE FOR CONTROL KNOB

**MATERIAL:**

Reinforced polyamide.  
Oils and greases resistant.

**SURFACE:**

Satin.

**COLOUR:**

Grey (RAL 7035 code13).

**SCALE:**

Printed on.

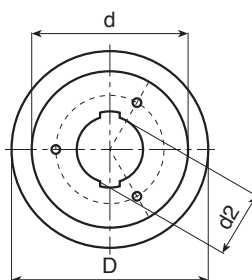
**FIXING SCREW:**

N° 3 Self-tapping screws 2,9x9,5 zinc plated UNI 6954.

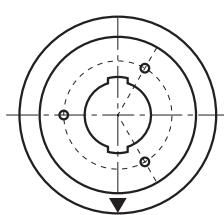


**SPECIAL REQUESTS:**

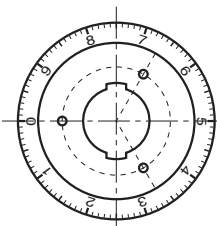
- It is possible to supply the flange with colours as shown in the table at page 15, on request and for quantities.
- Upon request black flange available.
- It is possible to supply customer design printing, on request and for quantities.



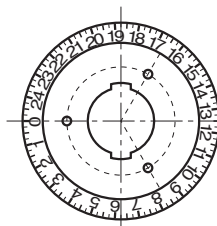
Type: Neutral base



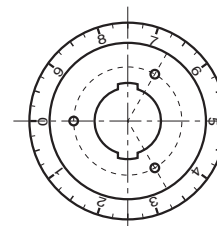
Type: Z1



Type: Z2



Type: Z3



Type: Z4

Art.	D	H	d/N246/N248	d1	d2	TYPE	Weight (gr)
NFLAN.T3013	38	7	30	-	20	NEUTRAL	5
NFLAN.T3013Z1	38	7	30	-	20	Z1/ ARROW INDICATOR	5
NFLAN.T4313	53	9	43	3	23	NEUTRAL	7
NFLAN.T4313Z1	53	9	43	3	23	Z1/ ARROW INDICATOR	7
NFLAN.T5413	66	11	54	3	27	NEUTRAL	13
NFLAN.T5413Z1	66	11	54	3	27	Z1/ ARROW INDICATOR	13
NFLAN.T6513Z	80	13	65	3	27	NEUTRAL	20
NFLAN.T6513Z1	80	13	65	3	27	Z1/ ARROW INDICATOR	20
NFLAN.T6513Z2	80	13	65	3	27	Z2/ numbering system 0:9 100 divisions	20
NFLAN.T6513Z3	80	13	65	3	27	Z3/ numbering system 0:24 100 divisions	20
NFLAN.T6513Z4	38	13	30	3	27	Z2/ numbering system 0:9 40 divisions	20
NFLAN.T7813	93	13	78	3	31	NEUTRAL	25
NFLAN.T7813Z1	93	13	78	3	31	Z1/ ARROW INDICATOR	25



BOTECA