

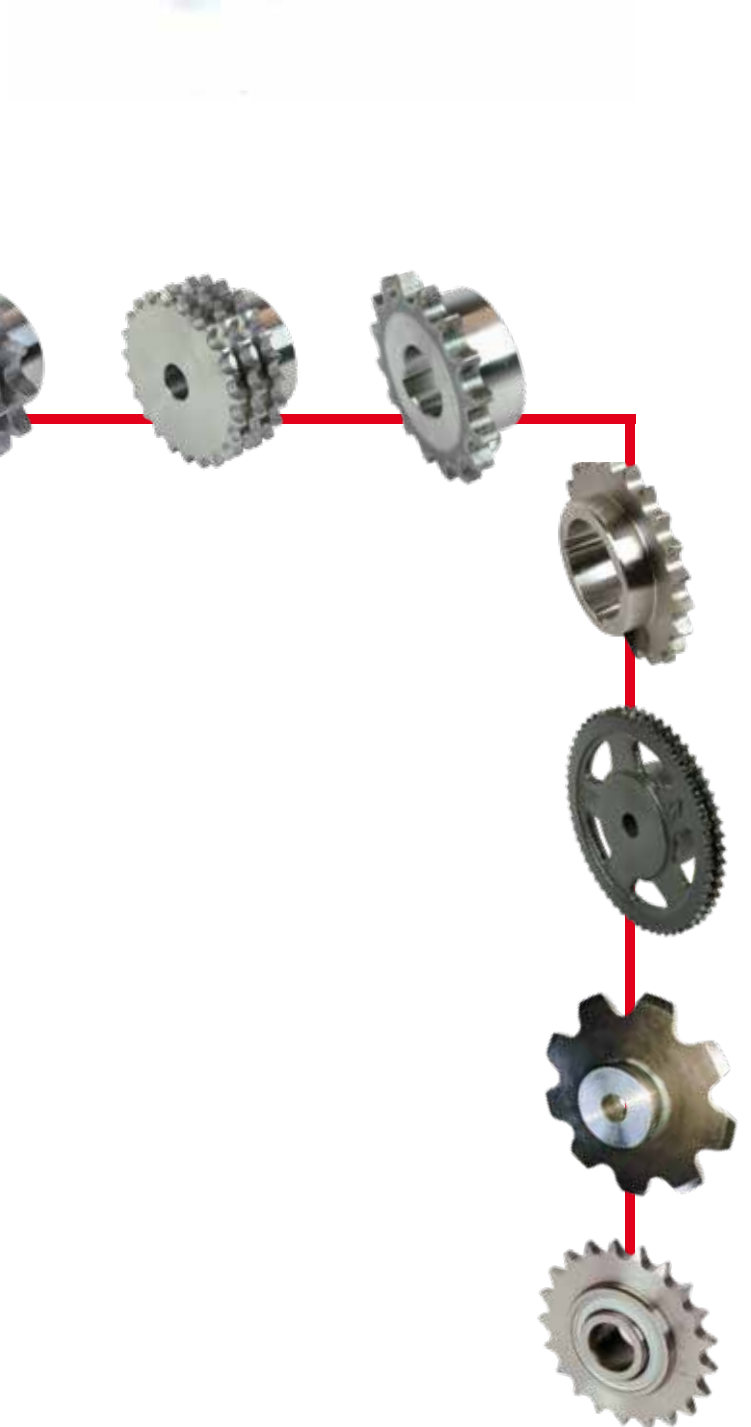
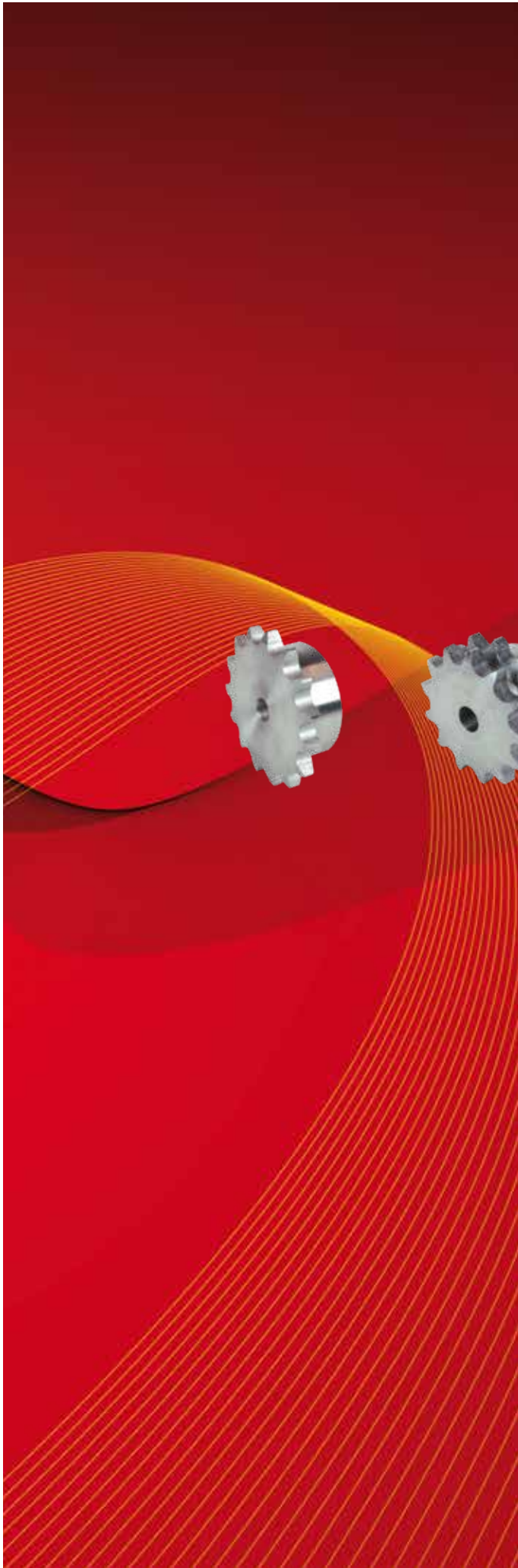


# SPROCKETS

<b>ISO CHAIN SPROCKETS</b>	page 4
<b>ASA CHAIN SPROCKETS</b>	21
<b>STAINLESS STEEL CHAIN SPROCKETS</b>	28
<b>SIMPLEX CHAIN SPROCKETS HARDENED</b>	30
<b>SIMPLEX CHAIN SPROCKETS WITH HARDENED TEETH WITH HOLE + KEYWAY + SCREW HOLES</b>	32
<b>TAPER LOCK<sup>®</sup> CHAIN SPROCKETS</b>	42
<b>CHAIN SPROCKETS IN CAST IRON</b>	46
<b>CHAIN SPROCKETS FOR CONVEYORS AND ELEVATORS</b>	50
<b>IDLER SPROCKETS</b>	52



# CHAIN SPROCKETS FOR ROLLER CHAINS





The range of sprockets designed for chains manufactured by our Company provides an all-round solution to the needs of industry in the sector of flexible mechanical transmissions and is the result of a manufacturing process that is designed to achieve the top in terms of technical and quality performance.

Our production programme includes sprockets and wheels designed for chains, produced in compliance with the principles and with the most recent Standards and International Unified Standards: UNI, ISO, DIN, ANSI, etc.

However, the standards define a profile with minimum dimensions and a profile with maximum dimensions for the wheel space for chains and rollers and the actual profile must lie within these values.

There is the option of selecting proportioning criteria for the profile, since the tolerances that the Standards leave to the manufacturer's discretion are quite wide. The profiles can be optimised in terms of smooth transmission and the tooth's capacity to support greater stresses. This has led to the systematic development of a series of standardised profiles for which the geometry can be reproduced with great precision by tools designed specifically by computer and the reference profile of which is protected by the Company's knowhow.

A valued feature of this optimised profile, which is a characteristic exclusive to CHIARAVALLI GROUP SpA, is that of enhancing the "polygonal" chain wrap-around on the sprocket and on the platewheel, reproducing the motion discontinuity which is achieved even in the case of unfavourable transmission ratios and centre distances.

As a result of this CHIARAVALLI GROUP SpA has been able to include sprockets with a very low number of teeth in its catalogue and production programme.

Respecting precision with limited machining errors is beneficial, even if the toothed wheel-chain set represents a somewhat "basic" transmission solution.

This precision is assured by the systematic use of CNC machines and technologies developed to minimise the shearing stress and to improve the degree of surface finish.

The sprockets and wheels designed for chains included in the catalogue are also manufactured in the version with the "Taperlock" taper bush piece system particularly favoured in applications that require easy assembly and very precise centring tolerances.

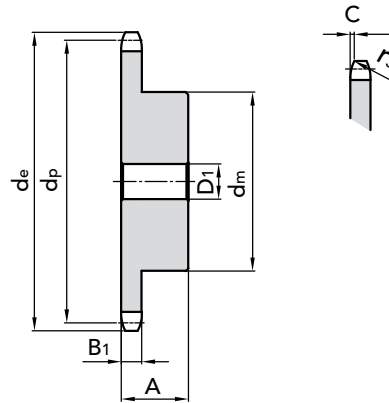
Our sales programme is completed with single and multiple roller chains, and special chains suitable for every industrial application and CHIARAVALLI GROUP SpA is also able to manufacture sprockets and platewheels suitable for chains in a specific execution, produced to drawing any of material and with induction hardening and case-hardening and hardening applied to steel wheels and sprockets.


**5 x 2.5 mm**
**CHAIN SPROCKETS**

Tooth radius $r_3$	5	mm
Radius width $\bar{C}$	0,6	mm
Sprockets tooth width $B_1$	2,3	mm

**CHAIN**

Pitch	5	mm
Inner width	2,5	mm
Roller $\varnothing$	3,2	mm


**SIMPLEX**

Z	d <sub>e</sub>	d <sub>p</sub>	PART NUMBER	d <sub>m</sub>	D <sub>1</sub>	A	kg.
8	15,20	13,06	10105008	7	4	10	0,01
9	16,80	14,62	10105009	8	4	10	0,01
10	18,30	16,18	10105010	9	4	10	0,01
11	19,90	17,75	10105011	11	5	10	0,01
12	21,50	19,32	10105012	12	5	10	0,01
13	23,00	20,89	10105013	14	5	10	0,01
14	24,60	22,47	10105014	15	5	10	0,02
15	26,20	24,04	10105015	16	5	10	0,02
16	27,80	25,63	10105016	18	6	13	0,02
17	29,40	27,20	10105017	18	6	13	0,03
18	30,90	28,79	10105018	18	6	13	0,03
19	32,50	30,38	10105019	18	6	13	0,03
20	34,10	31,96	10105020	18	6	13	0,03
21	35,70	33,54	10105021	20	8	13	0,04
22	37,30	35,13	10105022	20	8	13	0,04
23	38,90	36,72	10105023	20	8	13	0,04
24	40,50	38,30	10105024	20	8	13	0,04
25	42,00	39,89	10105025	20	8	13	0,04
26	43,60	41,48	10105026	25	8	15	0,05
27	45,20	43,07	10105027	25	8	15	0,07
28	46,80	44,65	10105028	25	8	15	0,07
29	48,40	46,25	10105029	25	8	15	0,07
30	50,00	47,83	10105030	25	8	15	0,07
31	51,60	49,42	10105031	30	8	15	0,10
32	53,20	51,01	10105032	30	8	15	0,10
33	54,80	52,60	10105033	30	8	15	0,10
34	56,30	54,19	10105034	30	8	15	0,10
35	57,90	55,78	10105035	30	8	15	0,11
36	59,50	57,37	10105036	30	8	15	0,11
37	61,10	58,96	10105037	30	8	15	0,11
38	62,70	60,54	10105038	30	8	15	0,11
39	64,30	62,13	10105039	30	8	15	0,12
40	65,90	63,73	10105040	30	8	15	0,12

 MATERIAL **C 45 UNI 7845**

 CAD drawings available on our site  
[www.chiaravalli.com](http://www.chiaravalli.com)

 Quantity, availability and prices  
 on B2B Chiaravalli



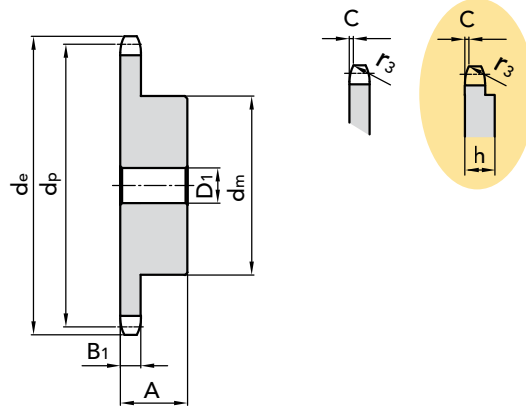

## 6 x 2.8 mm

### CHAIN SPROCKETS

Tooth radius $r_3$	6	mm
Radius width $\bar{C}$	0,7	mm
Sprockets tooth width $B_1$	2,6	mm

### CHAIN

Pitch	6	mm
Inner width	2,8	mm
Roller $\varnothing$	4	mm



### SIMPLEX

Z	d <sub>e</sub>	d <sub>p</sub>	PART NUMBER	d <sub>m</sub>	D <sub>1</sub>	A	kg.
8	18,00	15,67	10106008	9,8	5	10	0,01
9	19,90	17,54	10106009	11,5	5	10	0,01
10	21,70	19,42	10106010	13	6	10	0,01
11	23,60	21,30	10106011	14	6	10	0,01
12	25,40	23,18	10106012	16	6	10	0,02
13	27,30	25,05	10106013	18	8	10	0,02
14	29,20	26,96	10106014	20	8	10	0,03
15	31,00	28,86	10106015	20	8	10	0,03
16	33,00	30,76	10106016	20	8	13	0,03
17	35,00	32,65	10106017	20	8	13	0,04
18	36,90	34,55	10106018	20	8	13	0,04
19	38,80	36,44	10106019	20	8	13	0,04
20	40,70	38,34	10106020	20	8	13	0,04
21	42,60	40,25	10106021	25	8	13	0,06
22	44,50	42,16	10106022	25	8	13	0,06
23	46,40	44,06	10106023	25	8	13	0,06
24	48,30	45,96	10106024	25	8	13	0,07
25	50,20	47,87	10106025	25	8	13	0,07
26	52,10	49,76	10106026	30	8	15	0,10
27	54,00	51,67	10106027	30	8	15	0,10
28	55,90	53,58	10106028	30	8	15	0,11
29	57,80	55,50	10106029	30	8	15	0,11
30	59,80	57,42	10106030	30	8	15	0,11
31	61,70	59,31	10106031	30	8	15	0,11
32	63,60	61,21	10106032	30	8	15	0,12
33	65,50	63,11	10106033	30	8	15	0,12
34	67,40	65,02	10106034	30	8	15	0,12
35	69,30	66,93	10106035	30	8	15	0,13
36	71,20	68,84	10106036	30	8	15	0,13
37	73,10	70,75	10106037	30	8	15	0,14
38	75,00	72,66	10106038	30	8	15	0,14
39	76,90	74,57	10106039	30	8	15	0,14
40	78,90	76,47	10106040	30	8	15	0,15
45	88,50	86,01	10106045	40	10	16	0,46
48	94,20	91,74	10106048	62	12	18	0,48
50	98,00	95,55	10106050	50	12	20	0,49
57	111,40	108,93	10106057	50	12	20	0,53
76	147,60	145,19	10106076	60	12	20	1,58

MATERIAL C 45 UNI 7845

From Z 57 to Z 76 the width disk wheel is increased to h = 4mm

CAD drawings available on our site [www.chiaravalli.com](http://www.chiaravalli.com)

Quantity, availability and prices on B2B Chiaravalli



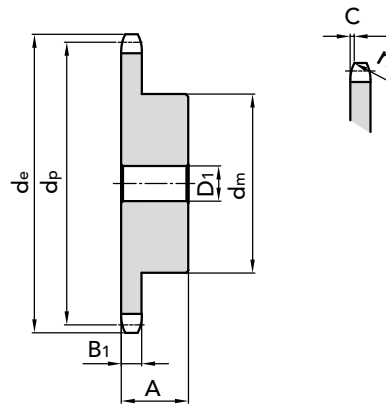
CHAIN SPROCKETS 6 x 2.8 mm for roller chains in compliance with DIN 8187 - ISO/R 606


**1/4" x 1/8"**
**CHAIN SPROCKETS**

Tooth radius $r_3$	6,4	mm
Radius width $\check{C}$	0,7	mm
Sprockets tooth width $B_{1a}$	2,9	mm

**CHAIN**

Pitch	6,35	mm
Inner width	3,18	mm
Roller $\varnothing$	3,3	mm


**SIMPLEX**

Z	d <sub>e</sub>	d <sub>p</sub>	PART NUMBER	d <sub>m</sub>	D <sub>1</sub>	A	kg.
8	19,40	16,58	10107008	10	6	12	0,01
9	21,40	18,56	10107009	11,5	6	12	0,01
10	23,30	20,55	10107010	13	6	12	0,02
11	25,30	22,54	10107011	15	8	13	0,02
12	27,30	24,53	10107012	17	8	13	0,02
13	29,30	26,53	10107013	17	8	13	0,03
14	31,30	28,53	10107014	17	8	13	0,03
15	33,30	30,53	10107015	20	8	13	0,04
16	35,30	32,55	10107016	22	8	14	0,05
17	37,30	34,55	10107017	22	8	14	0,05
18	39,40	36,56	10107018	25	8	14	0,06
19	41,40	38,58	10107019	25	8	14	0,06
20	43,40	40,58	10107020	25	8	14	0,06
21	45,40	42,60	10107021	30	8	14	0,08
22	47,40	44,62	10107022	30	8	14	0,09
23	49,40	46,63	10107023	30	8	14	0,09
24	51,40	48,64	10107024	30	8	14	0,09
25	53,50	50,66	10107025	30	8	14	0,10
26	55,50	52,67	10107026	30	8	16	0,11
27	57,50	54,69	10107027	30	8	16	0,12
28	59,50	56,71	10107028	30	8	16	0,12
29	61,50	58,73	10107029	30	8	16	0,12
30	63,60	60,75	10107030	30	8	16	0,13
31	65,60	62,76	10107031	30	8	16	0,13
32	67,60	64,78	10107032	30	8	16	0,13
33	69,60	66,80	10107033	30	8	16	0,14
34	71,60	68,82	10107034	30	8	16	0,17
35	73,60	70,84	10107035	30	8	16	0,17
36	75,60	72,85	10107036	30	8	16	0,15
37	77,70	74,87	10107037	30	8	16	0,18
38	79,70	76,89	10107038	30	8	16	0,16
39	81,70	78,91	10107039	30	8	16	0,19
40	83,70	80,93	10107040	30	8	16	0,17

 MATERIAL **C 45 UNI 7845**

 CAD drawings available on our site  
[www.chiaravalli.com](http://www.chiaravalli.com)

 Quantity, availability and prices  
 on B2B Chiaravalli



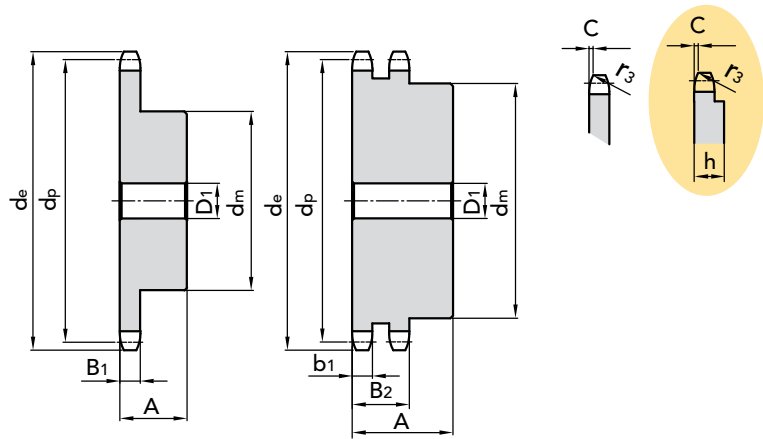

## 8 x 3 mm

### CHAIN SPROCKETS

Tooth radius $r_3$	8	mm
Radius width $\bar{C}$	1,0	mm
Sprockets tooth width $B_1$	2,8	mm
Sprockets tooth width $b_1$	2,7	mm
Sprockets tooth width $B_2$	8,3	mm

### CHAIN

Pitch	8	mm
Inner width	3	mm
Roller $\varnothing$	5	mm



### SIMPLEX

### DUPLEX

Z	$d_e$	$d_p$	PART NUMBER	$d_m$	$D_1$	A	kg.	PART NUMBER	$d_m$	$D_1$	A	kg.
8	24,00	20,90	10108008	13	6	12	0,01	10208008	12	8	18	0,02
9	26,60	23,39	10108009	15	6	12	0,02	10208009	15	8	18	0,03
10	29,20	25,89	10108010	17	8	12	0,02	10208010	17	8	18	0,03
11	31,70	28,39	10108011	18	8	13	0,03	10208011	19	10	18	0,04
12	34,20	30,91	10108012	20	8	13	0,04	10208012	21	10	18	0,05
13	36,70	33,42	10108013	23	8	13	0,05	10208013	24	10	18	0,07
14	39,20	35,95	10108014	25	8	13	0,05	10208014	26	10	18	0,08
15	41,70	38,48	10108015	28	8	13	0,07	10208015	29	10	18	0,10
16	44,30	41,01	10108016	30	8	14	0,08	10208016	32	10	20	0,13
17	46,80	43,53	10108017	30	8	14	0,09	10208017	34	10	20	0,15
18	49,30	46,07	10108018	30	8	14	0,09	10208018	37	10	20	0,17
19	51,90	48,61	10108019	30	8	14	0,09	10208019	39	10	20	0,20
20	54,40	51,14	10108020	30	8	14	0,10	10208020	40	10	20	0,21
21	57,00	53,68	10108021	35	8	14	0,12	10208021	40	10	20	0,25
22	59,50	56,21	10108022	35	8	14	0,13	10208022	40	10	20	0,26
23	62,00	58,75	10108023	35	8	14	0,13	10208023	40	10	20	0,28
24	64,60	61,29	10108024	35	8	14	0,14	10208024	40	10	20	0,23
25	67,50	63,83	10108025	35	8	14	0,15	10208025	40	10	20	0,31
26	69,50	66,37	10108026	40	10	16	0,19	10208026	50	12	22	0,38
27	72,20	68,91	10108027	40	10	16	0,20	10208027	50	12	22	0,40
28	74,80	71,45	10108028	40	10	16	0,21	10208028	50	12	22	0,42
29	77,30	73,99	10108029	40	10	16	0,22	10208029	50	12	22	0,44
30	79,80	76,53	10108030	40	10	16	0,22	10208030	50	12	22	0,45
31	82,40	79,08	10108031	40	10	16	0,22	10208031	60	12	22	0,58
32	84,90	81,61	10108032	40	10	16	0,23	10208032	60	12	22	0,59
33	87,50	84,16	10108033	40	10	16	0,24	10208033	60	12	22	0,62
34	90,00	86,70	10108034	40	10	16	0,25	10208034	60	12	22	0,64
35	92,50	89,25	10108035	40	10	16	0,25	10208035	60	12	22	0,65
36	95,00	91,79	10108036	40	10	16	0,26	10208036	60	12	22	0,67
37	97,60	94,33	10108037	40	10	16	0,27	10208037	60	12	22	0,71
38	100,20	96,88	10108038	40	10	16	0,28	10208038	60	12	22	0,72
39	102,70	99,42	10108039	40	10	16	0,29	10208039	60	12	22	0,74
40	105,30	101,97	10108040	40	10	16	0,58	10208040	60	12	22	0,77
45	118,00	114,69	10108045	60	12	20	0,67					
48	125,6	122,32	10108048	60	12	20	0,63					
50	130,70	127,41	10108050	60	12	20	1,00					
57	148,60	145,22	10108057	80	14	20	1,53					
76	197,70	193,59	10108076	80	20	25	1,94					

MATERIAL C 45 UNI 7845

From Z 57 to Z 76 the width of the wheel disk increased to  $h = 4\text{mm}$

CAD drawings available on our site  
[www.chiaravalli.com](http://www.chiaravalli.com)

Quantity, availability and prices  
 on B2B Chiaravalli



CHAIN SPROCKETS 8 x 3 mm for roller chains in compliance with DIN 8187 - ISO/R 606



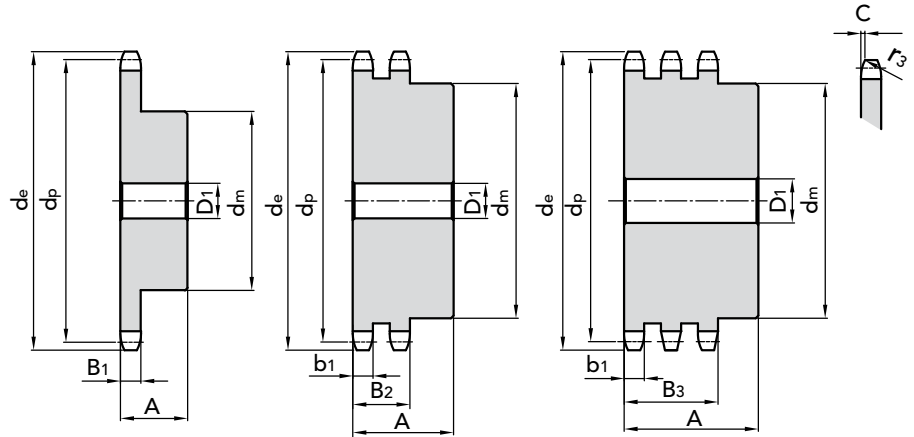
3/8" x 7/32"

## CHAIN SPROCKETS

Tooth radius $r_3$	10	mm
Radius width $\bar{C}$	1	mm
Sprockets tooth width $B_1$	5,3	mm
Sprockets tooth width $b_1$	5,2	mm
Sprockets tooth width $B_2$	15,4	mm
Sprockets tooth width $B_3$	25,6	mm

## CHAIN

Pitch	9,525	mm
Inner width	5,72	mm
Roller $\varnothing$	6,35	mm



## SIMPLEX

## DUPLEX

## TRIPLEX

Z	d <sub>e</sub>	d <sub>p</sub>	PART NUMBER	d <sub>m</sub>	D <sub>1</sub>	A	kg.	PART NUMBER	d <sub>m</sub>	D <sub>1</sub>	A	kg.	PART NUMBER	d <sub>m</sub>	D <sub>1</sub>	A	kg.
8	28,54	24,89	10109008	15	6	22	0,03	10209008	15	6	22	0,04	10309008	15	6	32	0,05
9	31,50	27,85	10109009	18	8	22	0,04	10209009	18	8	22	0,05	10309009	18	8	32	0,06
10	34,47	30,82	10109010	20	8	22	0,05	10209010	20	8	22	0,07	10309010	20	10	32	0,09
11	37,46	33,81	10109011	22	8	25	0,08	10209011	22	10	25	0,10	10309011	22	10	35	0,11
12	40,45	36,80	10109012	25	8	25	0,10	10209012	25	10	25	0,13	10309012	25	10	35	0,15
13	43,45	39,80	10109013	28	10	25	0,13	10209013	28	10	25	0,16	10309013	28	10	35	0,18
14	46,45	42,80	10109014	31	10	25	0,16	10209014	31	10	25	0,20	10309014	31	12	35	0,23
15	49,46	45,81	10109015	34	10	25	0,19	10209015	34	10	25	0,24	10309015	34	12	35	0,27
16	52,47	48,82	10109016	37	10	28	0,24	10209016	37	12	30	0,27	10309016	37	12	35	0,35
17	55,49	51,84	10109017	40	10	28	0,28	10209017	40	12	30	0,32	10309017	40	12	35	0,40
18	58,50	54,85	10109018	43	10	28	0,33	10209018	43	12	30	0,38	10309018	43	12	35	0,45
19	61,52	57,87	10109019	45	10	28	0,36	10209019	46	12	30	0,42	10309019	46	12	35	0,50
20	64,54	60,89	10109020	46	10	28	0,39	10209020	49	12	30	0,48	10309020	49	12	35	0,55
21	67,56	63,91	10109021	48	12	28	0,42	10209021	52	12	30	0,52	10309021	52	14	40	0,70
22	70,58	66,93	10109022	50	12	28	0,46	10209022	55	12	30	0,58	10309022	55	14	40	0,80
23	73,60	69,95	10109023	52	12	28	0,50	10209023	58	12	30	0,64	10309023	58	14	40	0,90
24	76,62	72,97	10109024	54	12	28	0,54	10209024	61	12	30	0,71	10309024	61	14	40	0,98
25	79,65	76,00	10109025	57	12	28	0,60	10209025	64	12	30	0,79	10309025	64	14	40	1,05
26	82,67	79,02	10109026	60	12	28	0,66	10209026	67	12	30	0,87	10309026	67	14	40	1,15
27	85,70	82,05	10109027	60	12	28	0,67	10209027	70	12	30	0,94	10309027	70	14	40	1,25
28	88,72	85,07	10109028	60	12	28	0,69	10209028	73	12	30	1,03	10309028	73	14	40	1,35
29	91,75	88,10	10109029	60	12	28	0,70	10209029	76	12	30	1,11	10309029	76	14	40	1,46
30	94,77	91,12	10109030	60	12	30	0,72	10209030	79	12	30	1,20	10309030	79	14	40	1,60
31	97,80	94,15	10109031	65	14	30	0,87	10209031	80	16	30	1,27	10309031	80	16	40	1,70
32	100,83	97,18	10109032	65	14	30	0,89	10209032	80	16	30	1,32	10309032	80	16	40	1,77
33	103,85	100,20	10109033	65	14	30	0,91	10209033	80	16	30	1,37	10309033	80	16	40	1,85
34	106,88	103,23	10109034	65	14	30	0,92	10209034	80	16	30	1,43	10309034	85	16	40	2,00
35	109,91	106,26	10109035	65	14	30	0,95	10209035	80	16	30	1,49	10309035	85	16	40	2,15
36	112,94	109,29	10109036	70	16	30	1,05	10209036	90	16	30	1,70	10309036	90	16	40	2,25
37	115,97	112,32	10109037	70	16	30	1,09	10209037	90	16	30	1,76	10309037	90	16	40	2,30
38	118,99	115,34	10109038	70	16	30	1,10	10209038	90	16	30	1,81	10309038	90	16	40	2,55
39	122,02	118,37	10109039	70	16	30	1,12	10209039	90	16	30	1,88	10309039	90	16	40	2,65
40	125,05	121,40	10109040	70	16	30	1,14	10209040	90	16	30	1,95	10309040	90	16	40	2,80
42	131,11	127,46	10109042	80	16	35	1,56	10209042	90	16	40	2,44					
45	140,20	136,55	10109045	80	16	35	1,66	10209045	90	16	40	3,15	10309045	90	16	56	4,72
48	149,29	145,64	10109048	80	16	35	1,75	10209048	90	16	40	3,43					
50	155,34	151,69	10109050	80	16	35	1,80	10209050	90	16	40	3,53	10309050	90	16	56	5,29
57	176,56	172,91	10109057	80	16	35	1,96	10209057	90	16	40	4,16	10309057	90	16	56	6,24
60	185,65	182,00	10109060	80	16	35	2,03	10209060	90	16	40	4,45	10309060	90	20	56	6,67
76	234,14	230,49	10109076	80	20	35	2,67	10209076	90	20	40	6,23	10309076	100	20	56	9,34

MATERIAL **C 45 UNI 7845**  
FOR MONOLITHIC CHAIN SPROCKETS

MATERIAL **FE**  
FOR CHAIN SPROCKETS WITH WELDED HUB

CAD drawings available on our site  
[www.chiaravalli.com](http://www.chiaravalli.com)

Quantity, availability and prices  
on B2B Chiaravalli







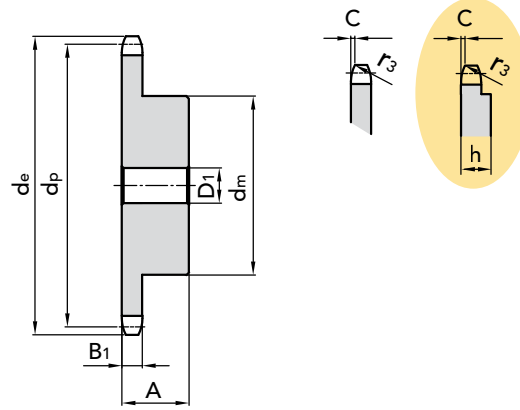
## 1/2" x 1/8"

### CHAIN SPROCKETS

Tooth radius $r_3$	13	mm
Radius width $\bar{C}$	1	mm
Sprockets tooth width $B_1$	3	mm

### CHAIN

Pitch	12,7	mm
Inner width	3,3	mm
Roller $\varnothing$	7,75	mm



### SIMPLEX

Z	d <sub>e</sub>	d <sub>p</sub>	PART NUMBER	d <sub>m</sub>	D <sub>1</sub>	A	kg.
8	38,44	33,18	10110008	21	8	14	0,04
9	42,38	37,13	10110009	25	8	14	0,06
10	46,35	41,10	10110010	28	8	14	0,07
11	50,33	45,07	10110011	31	8	16	0,10
12	54,32	49,07	10110012	35	8	16	0,13
13	58,32	53,06	10110013	39	8	16	0,16
14	62,32	57,07	10110014	43	8	16	0,19
15	66,33	61,09	10110015	47	8	16	0,23
16	70,35	65,10	10110016	50	10	18	0,29
17	74,37	69,11	10110017	50	10	18	0,30
18	78,39	73,14	10110018	50	10	18	0,31
19	82,41	77,16	10110019	50	10	18	0,32
20	86,43	81,19	10110020	50	10	18	0,33
21	90,46	85,22	10110021	60	12	20	0,48
22	94,49	89,24	10110022	60	12	20	0,49
23	98,52	93,27	10110023	60	12	20	0,51
24	102,55	97,29	10110024	60	12	20	0,52
25	106,58	101,33	10110025	60	12	20	0,53
26	110,61	105,36	10110026	70	16	20	0,67
27	114,65	109,40	10110027	70	16	20	0,69
28	118,68	113,42	10110028	70	16	20	0,70
29	122,71	117,46	10110029	70	16	20	0,72
30	126,75	121,50	10110030	70	16	20	0,74
31	130,76	125,54	10110031	70	16	20	0,76
32	134,82	129,56	10110032	70	16	20	0,77
33	138,86	133,60	10110033	70	16	20	0,79
34	142,89	137,64	10110034	70	16	20	0,81
35	146,93	141,68	10110035	70	16	20	0,83
36	150,97	145,72	10110036	70	16	25	1,00
37	155,00	149,76	10110037	70	16	25	1,02
38	159,04	153,80	10110038	70	16	25	1,04
39	163,08	157,83	10110039	70	16	25	1,06
40	167,12	161,87	10110040	70	16	25	1,09

MATERIAL **C 45 UNI 7845**

From **Z 31** the width of the disk wheel is increased to **h = 5mm**

CAD drawings available on our site  
[www.chiaravalli.com](http://www.chiaravalli.com)

Quantity, availability and prices  
 on B2B Chiaravalli



CHAIN SPROCKETS 1/2" x 1/8" for roller chains in compliance with DIN 8187 - ISO/R 606



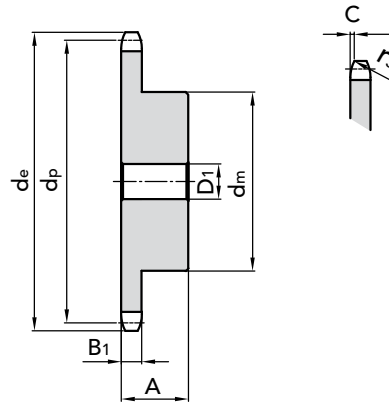
## 1/2" x 3/16"

## CHAIN SPROCKETS

Tooth radius $r_3$	13 mm
Radius width $\bar{C}$	1,3 mm
Sprockets tooth width $B_1$	4,5 mm

## CHAIN

Pitch	12,7 mm
Inner width	4,88 mm
Roller $\varnothing$	7,75 mm



## SIMPLEX

Z	$d_e$	$d_p$	PART NUMBER	$d_m$	$D_1$	A	kg.
8	38,50	33,18	10111008	21	8	14	0,02
9	41,50	37,13	10111009	25	8	14	0,03
10	46,20	41,10	10111010	28	8	14	0,04
11	49,60	45,07	10111011	31	8	16	0,05
12	53,90	49,07	10111012	35	8	16	0,05
13	58,40	53,06	10111013	39	8	16	0,06
14	62,80	57,07	10111014	43	8	16	0,08
15	66,80	61,09	10111015	47	8	16	0,09
16	70,90	65,10	10111016	50	10	18	0,10
17	74,90	69,11	10111017	50	10	18	0,12
18	78,90	73,14	10111018	50	10	18	0,13
19	82,90	77,16	10111019	50	10	18	0,15
20	86,90	81,19	10111020	50	10	18	0,16
21	91,00	85,22	10111021	60	12	20	0,18
22	95,00	89,24	10111022	60	12	20	0,20
23	99,00	93,27	10111023	60	12	20	0,22
24	103,00	97,29	10111024	60	12	20	0,24
25	107,10	101,33	10111025	60	12	20	0,26
26	111,20	105,36	10111026	70	16	20	0,28
27	115,40	109,40	10111027	70	16	20	0,30
28	119,40	113,42	10111028	70	16	20	0,33
29	123,40	117,46	10111029	70	16	20	0,35
30	127,50	121,50	10111030	70	16	20	0,38
31	131,50	125,54	10111031	70	16	20	0,40
32	135,50	129,56	10111032	70	16	20	0,43
33	139,60	133,60	10111033	70	16	20	0,46
34	143,60	137,64	10111034	70	16	20	0,49
35	147,60	141,68	10111035	70	16	20	0,52
36	151,70	145,72	10111036	70	16	25	0,55
37	155,70	149,76	10111037	70	16	25	0,58
38	159,80	153,80	10111038	70	16	25	0,62
39	163,80	157,83	10111039	70	16	25	0,65
40	167,80	161,87	10111040	70	16	25	0,68

MATERIAL C 45 UNI 7845

CAD drawings available on our site  
[www.chiaravalli.com](http://www.chiaravalli.com)

Quantity, availability and prices  
 on B2B Chiaravalli





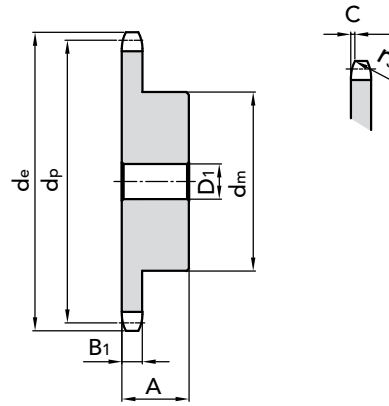
## 1/2" x 1/4" rullo 7.75

### CHAIN SPROCKETS

Tooth radius $r_3$	13	mm
Radius width $\bar{C}$	1,3	mm
Sprockets tooth width $B_1$	5,9	mm

### CHAIN

Pitch	12,7	mm
Inner width	6,4	mm
Roller $\varnothing$	7,75	mm



### SIMPLEX

Z	d <sub>e</sub>	d <sub>p</sub>	PART NUMBER	d <sub>m</sub>	D <sub>1</sub>	A	kg.
15							
16							
17	74,37	69,11	10113017	52	8	28	0,51
21	90,46	85,22	10113021	68	8	28	0,83
22	94,49	89,24	10113022	70	8	28	0,90
23	98,52	93,27	10113023	70	8	28	0,94
25							
26	110,61	105,36	10113026	70	8	30	1,09
27							
28	118,68	113,42	10113028	70	10	30	1,13
29							
30	126,75	121,50	10113030	80	10	30	1,41
31	130,78	125,54	10113031	90	10	30	1,22
32							
33							
34	142,89	137,64	10113034	90	10	30	1,83
35	146,93	141,68	10113035	90	10	30	1,89
36	150,97	145,72	10113036	90	10	30	2,14
38	159,04	153,80	10113038	90	12	35	2,22
39							
40							

MATERIAL C 45 UNI 7845

CAD drawings available on our site  
[www.chiaravalli.com](http://www.chiaravalli.com)

Quantity, availability and prices  
on B2B Chiaravalli

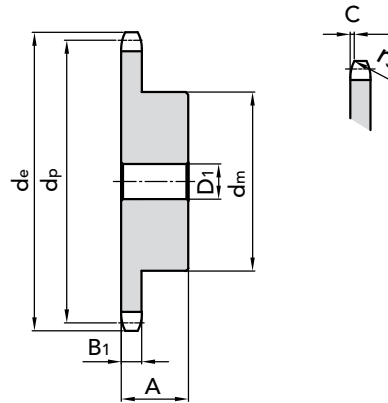



**1/2" x 1/4" rullo 8.51**
**CHAIN SPROCKETS**

Tooth radius $r_3$	13	mm
Radius width $\bar{C}$	1,3	mm
Sprockets tooth width $B_1$	5,9	mm

**CHAIN**

Pitch	12,7	mm
Inner width	6,4	mm
Roller $\varnothing$	8,51	mm


**SIMPLEX**

Z	$d_e$	$d_p$	PART NUMBER	$d_m$	$D_1$	A	kg.
8	37,68	33,19	10114008	20	8	25	0,45
9	41,62	37,13	10114009	24	8	25	0,48
11							
15	65,57	61,08	10114015	45	8	28	0,53
16							
17							
19	81,65	77,16	10114019	60	8	28	0,59
21							
22	93,73	89,24	10114022	70	10	28	0,78
23	97,76	93,27	10114023	70	10	28	0,91
25	105,82	101,33	10114025	70	10	28	0,98
26	109,85	105,36	10114026	70	10	30	1,01
27	113,89	109,40	10114027	70	10	30	1,04
28	117,92	113,43	10114028	70	10	30	1,18
29	121,95	117,46	10114029	80	10	30	1,25
30							
31	130,02	125,53	10114031	90	10	30	1,39
32	134,06	129,57	10114032	90	10	30	1,44
33	138,10	133,61	10114033	90	12	30	1,49
34							
35							
36	150,21	145,72	10114036	90	12	35	1,64
38	158,28	153,79	10114038	90	12	35	1,66
39							
40	166,36	161,87	10114040	90	12	35	1,78

 MATERIAL **C 45 UNI 7845**

 CAD drawings available on our site  
[www.chiaravalli.com](http://www.chiaravalli.com)

 Quantity, availability and prices  
 on B2B Chiaravalli



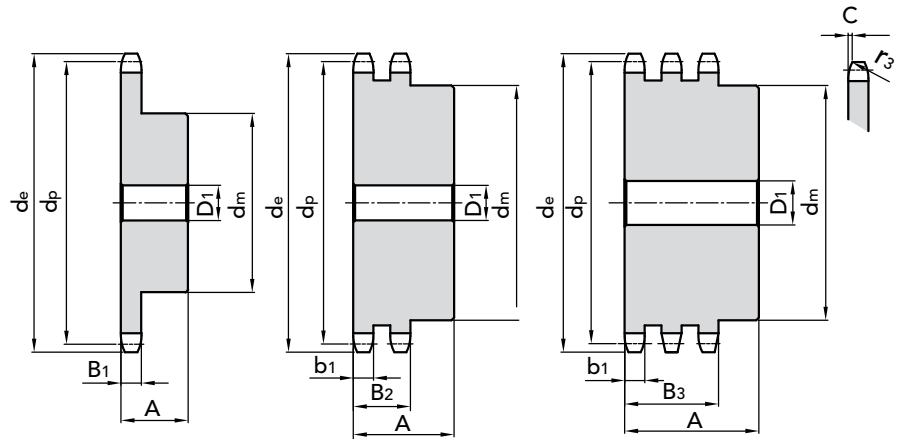

## 1/2" x 5/16"

### CHAIN SPROCKETS

Tooth radius $r_3$	13	mm
Radius width $\bar{C}$	1,3	mm
Sprockets tooth width $B_1$	7,2	mm
Sprockets tooth width $b_1$	7	mm
Sprockets tooth width $B_2$	21	mm
Sprockets tooth width $B_3$	34,9	mm

### CHAIN

Pitch	12,7	mm
Inner width	7,75	mm
Roller $\varnothing$	8,51	mm



#### SIMPLEX

#### DUPLEX

#### TRIPLEX

Z	d <sub>e</sub>	d <sub>p</sub>	PART NUMBER	d <sub>m</sub>	D <sub>1</sub>	A	kg.	PART NUMBER	d <sub>m</sub>	D <sub>1</sub>	A	kg.	PART NUMBER	d <sub>m</sub>	D <sub>1</sub>	A	kg.
8	37,68	33,18	10112008	20	10	25	0,06	10212008	20	10	32	0,09	10312008	20	10	46	0,13
9	41,62	37,13	10112009	24	10	25	0,09	10212009	24	10	32	0,13	10312009	24	12	46	0,18
10	45,59	41,10	10112010	26	10	25	0,12	10212010	28	10	32	0,18	10312010	28	12	46	0,24
11	49,57	45,07	10112011	29	10	25	0,15	10212011	32	12	35	0,24	10312011	32	14	50	0,31
12	53,56	49,07	10112012	33	10	28	0,21	10212012	35	12	35	0,30	10312012	35	14	50	0,39
13	57,56	53,06	10112013	37	10	28	0,26	10212013	38	12	35	0,36	10312013	38	14	50	0,49
14	61,56	57,07	10112014	41	10	28	0,32	10212014	42	12	35	0,44	10312014	42	14	50	0,60
15	65,57	61,09	10112015	45	10	28	0,38	10212015	46	12	35	0,52	10312015	46	14	50	0,72
16	69,59	65,10	10112016	50	12	28	0,46	10212016	50	14	35	0,63	10312016	50	16	50	0,85
17	73,61	69,11	10112017	52	12	28	0,51	10212017	54	14	35	0,73	10312017	54	16	50	0,99
18	77,63	73,14	10112018	56	12	28	0,59	10212018	58	14	35	0,85	10312018	58	16	50	1,14
19	81,65	77,16	10112019	60	12	28	0,67	10212019	62	14	35	0,97	10312019	62	16	50	1,30
20	85,67	81,19	10112020	64	12	28	0,76	10212020	66	14	35	1,10	10312020	66	16	50	1,47
21	89,70	85,22	10112021	68	12	28	0,85	10212021	70	16	40	1,29	10312021	70	20	55	1,79
22	93,73	89,24	10112022	70	12	28	0,91	10212022	70	16	40	1,37	10312022	70	20	55	1,93
23	97,76	93,27	10112023	70	14	28	0,95	10212023	70	16	40	1,46	10312023	70	20	55	2,08
24	101,79	97,29	10112024	70	14	28	0,98	10212024	75	16	40	1,64	10312024	75	20	55	2,32
25	105,82	101,33	10112025	70	14	28	1,01	10212025	80	16	40	1,82	10312025	80	20	55	2,57
26	109,65	105,36	10112026	70	16	30	1,09	10212026	85	20	40	2,02	10312026	85	20	55	2,79
27	113,89	109,40	10112027	70	16	30	1,13	10212027	85	20	40	2,12	10312027	85	20	55	2,96
28	117,92	113,42	10112028	70	16	30	1,17	10212028	90	20	40	2,34	10312028	90	20	55	3,25
29	121,95	117,46	10112029	80	16	30	1,42	10212029	95	20	40	2,56	10312029	95	20	55	3,55
30	125,99	121,50	10112030	80	16	30	1,46	10212030	100	20	40	2,79	10312030	100	20	55	3,86
31	130,02	125,54	10112031	90	16	30	1,74	10212031	100	20	40	2,87	10312031	110	20	55	4,42
32	134,40	129,56	10112032	90	16	30	1,78	10212032	100	20	40	3,00	10312032	110	20	55	4,53
33	138,10	133,60	10112033	90	16	30	1,83	10212033	100	20	40	3,13	10312033	110	20	55	4,74
34	142,13	137,64	10112034	90	16	30	1,88	10212034	100	20	40	3,26	10312034	110	20	55	4,97
35	146,17	141,68	10112035	90	16	30	1,93	10212035	100	20	40	3,40	10312035	110	20	55	5,20
36	150,21	145,72	10112036	90	16	35	2,22	10212036	110	20	40	3,54	10312036	120	25	55	5,64
37	154,24	149,76	10112037	90	16	35	2,27	10212037	110	20	40	3,69	10312037	120	25	55	5,88
38	158,28	153,80	10112038	90	16	35	2,32	10212038	110	20	40	3,84	10312038	120	25	55	6,14
39	162,32	157,83	10112039	90	16	35	2,38	10212039	110	20	40	4,00	10312039	120	25	55	6,40
40	166,36	161,87	10112040	90	16	35	2,43	10212040	110	20	40	4,15	10312040	120	25	55	6,66
42	174,43	169,94	10112042	90	20	40	2,80	10212042	110	20	50	5,67					
45	186,50	182,06	10112045	90	20	40	3,10	10212045	110	20	50	6,26	10312045	110	25	60	9,12
48	198,67	194,18	10112048	90	20	40	3,30	10212048	110	20	50	6,75					
50	206,75	202,26	10112050	90	20	40	3,50	10212050	110	20	50	7,17	10312050	110	25	60	10,74
57	235,03	230,54	10112057	90	20	40	4,10	10212057	110	25	50	8,65	10312057	110	25	60	13,26
60	247,15	242,66	10112060	90	20	40	4,30	10212060	110	25	50	9,35	10312060	110	25	60	14,40
76	311,81	307,32	10112076	90	25	40	5,80	10212076	110	25	56	13,3	10312076	110	25	60	21,78

MATERIAL **C 45 UNI 7845**  
FOR MONOLITHIC CHAIN SPROCKETS

MATERIAL **FE**  
FOR CHAIN SPROCKETS WITH WELDED HUB

CAD drawings available on our site  
[www.chiaravalli.com](http://www.chiaravalli.com)

Quantity, availability and prices  
on B2B Chiaravalli



CHAIN SPROCKETS 1/2" x 5/16" for roller chains in compliance with DIN 8187 - ISO/R 606



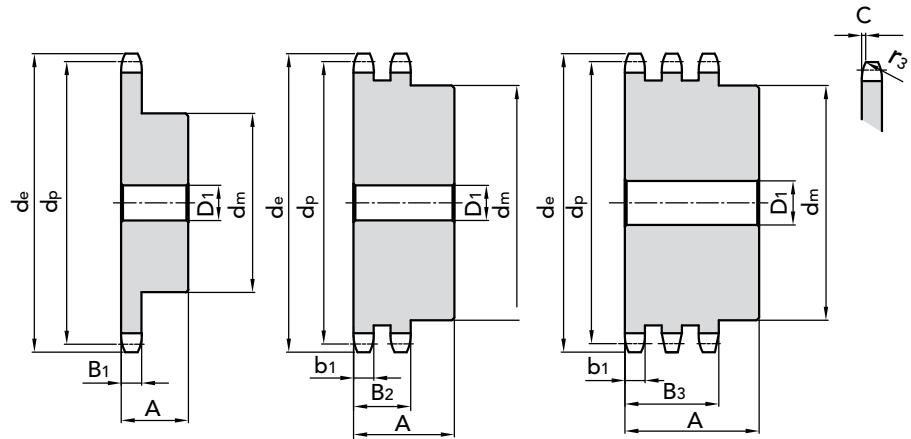
5/8" x 3/8"

## CHAIN SPROCKETS

Tooth radius $r_3$	16	mm
Radius width $\bar{C}$	1,6	mm
Sprockets tooth width $B_1$	9,1	mm
Sprockets tooth width $b_1$	9	mm
Sprockets tooth width $B_2$	25,5	mm
Sprockets tooth width $B_3$	42,1	mm

## CHAIN

Pitch	15,875	mm
Inner width	9,65	mm
Roller $\varnothing$	10,16	mm



## SIMPLEX

## DUPLEX

## TRIPLEX

Z	d <sub>e</sub>	d <sub>p</sub>	PART NUMBER	d <sub>m</sub>	D <sub>1</sub>	A	kg.	PART NUMBER	d <sub>m</sub>	D <sub>1</sub>	A	kg.	PART NUMBER	d <sub>m</sub>	D <sub>1</sub>	A	kg.
8	48,32	41,48	10115008	25	10	25	0,12	10215008	25	12	40	0,19	10315008	25	12	55	0,27
9	53,26	46,42	10115009	30	10	25	0,16	10215009	30	12	40	0,27	10315009	30	12	55	0,38
10	58,21	51,37	10115010	35	10	25	0,22	10215010	35	12	40	0,36	10315010	35	16	55	0,47
11	63,19	56,35	10115011	37	12	30	0,29	10215011	39	14	40	0,43	10315011	39	16	55	0,61
12	68,18	61,34	10115012	42	12	30	0,37	10215012	44	14	40	0,55	10315012	44	16	55	0,78
13	73,17	66,33	10115013	47	12	30	0,46	10215013	49	14	40	0,68	10315013	49	16	55	0,96
14	78,18	71,34	10115014	52	12	30	0,56	10215014	54	14	40	0,82	10315014	54	16	55	1,15
15	83,19	76,35	10115015	57	12	30	0,67	10215015	59	14	40	0,97	10315015	59	16	55	1,37
16	88,21	81,37	10115016	60	12	30	0,76	10215016	64	16	45	1,26	10315016	64	16	60	1,72
17	93,23	86,39	10115017	60	12	30	0,88	10215017	69	16	45	1,46	10315017	69	16	60	1,99
18	98,26	91,42	10115018	70	14	30	1,01	10215018	74	16	45	1,67	10315018	74	16	60	2,27
19	103,29	96,45	10115019	70	14	30	1,15	10215019	79	16	45	1,90	10315019	79	16	60	2,58
20	108,32	101,48	10115020	75	14	30	1,21	10215020	84	16	45	2,14	10315020	84	16	60	2,91
21	113,35	106,51	10115021	75	16	30	1,35	10215021	85	16	45	2,27	10315021	85	20	60	3,12
22	118,39	111,55	10115022	80	16	30	1,41	10215022	90	16	45	2,54	10315022	90	20	60	3,48
23	123,43	116,59	10115023	80	16	30	1,47	10215023	95	16	45	2,82	10315023	95	20	60	3,48
24	128,46	121,62	10115024	80	16	30	1,54	10215024	100	16	45	3,11	10315024	100	20	60	4,86
25	133,50	126,66	10115025	80	16	30	1,60	10215025	105	16	45	3,15	10315025	105	20	60	4,25
26	138,54	131,70	10115026	85	20	35	1,96	10215026	110	16	45	3,74	10315026	110	20	60	4,67
27	143,58	136,74	10115027	85	20	35	2,04	10215027	110	20	45	3,94	10315027	110	20	60	5,10
28	148,63	141,79	10115028	90	20	35	2,25	10215028	115	20	45	4,28	10315028	115	20	60	5,43
29	153,67	146,83	10115029	90	20	35	2,33	10215029	115	20	45	4,50	10315029	115	20	60	5,90
30	158,71	151,87	10115030	90	20	35	2,41	10215030	120	20	45	4,87	10315030	120	20	60	6,25
31	163,76	156,92	10115031	95	20	35	2,64	10215031	120	20	45	5,10	10315031	120	20	60	7,18
32	168,80	161,96	10115032	95	20	35	2,73	10215032	120	20	45	5,34	10315032	120	20	60	7,56
33	173,85	167,01	10115033	95	20	35	2,82	10215033	120	20	45	5,59	10315033	120	20	60	7,97
34	178,89	172,05	10115034	95	20	35	2,92	10215034	120	20	45	5,84	10315034	120	20	60	8,36
35	183,94	177,10	10115035	95	20	35	3,01	10215035	120	20	45	6,11	10315035	120	20	60	8,74
36	188,99	182,15	10115036	100	20	35	3,27	10215036	120	20	45	6,38	10315036	120	25	60	9,15
37	194,03	187,19	10115037	100	20	35	3,37	10215037	120	20	45	6,66	10315037	120	25	60	9,61
38	199,08	192,24	10115038	100	20	35	3,47	10215038	120	20	45	6,95	10315038	120	25	60	10,08
39	204,13	197,29	10115039	100	20	35	3,58	10215039	120	20	45	7,25	10315039	120	25	60	10,57
40	209,17	202,33	10115040	100	20	35	3,69	10215040	120	20	45	7,55	10315040	120	25	60	11,97
42	219,27	212,43	10115042	100	20	40	4,73	10215042	130	20	50	9,35					
45	234,42	227,58	10115045	100	20	40	5,09	10215045	130	20	50	10,32	10315045	130	25	60	15,70
48	249,57	242,73	10115048	100	20	40	5,43	10215048	130	20	50	11,40					
50	259,66	252,82	10115050	100	20	40	5,70	10215050	130	20	50	12,11	10315050	130	25	60	18,83
57	295,02	288,18	10115057	100	20	40	6,66	10215057	130	20	50	15,74	10315057	130	25	60	23,40
60	310,17	303,33	10115060	100	20	40	7,15	10215060	130	20	50	16,40	10315060	130	25	60	25,80
76	390,99	384,15	10115076	100	20	50	10,28	10215076	130	20	63	24,93	10315076	130	25	67	40,25

MATERIAL **C 45 UNI 7845**  
FOR MONOLITHIC CHAIN SPROCKETS

MATERIAL **FE**  
FOR CHAIN SPROCKETS WITH WELDED HUB

CAD drawings available on our site  
[www.chiaravalli.com](http://www.chiaravalli.com)

Quantity, availability and prices  
on B2B Chiaravalli





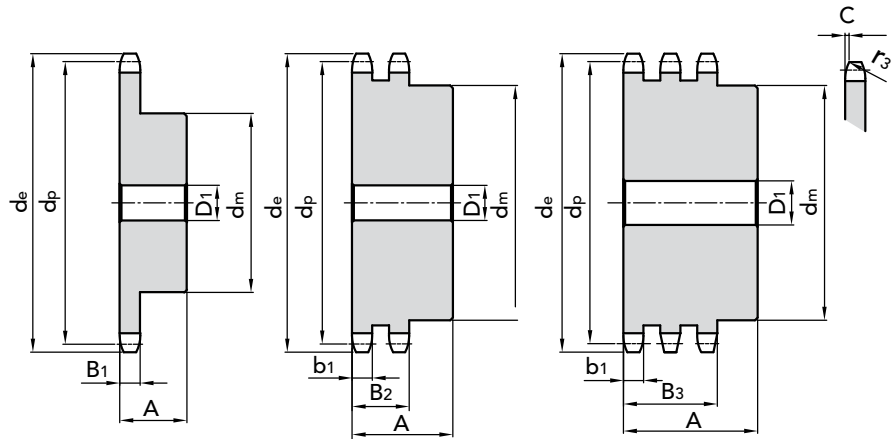
## 3/4" x 7/16"

### CHAIN SPROCKETS

Tooth radius $r_3$	19	mm
Radius width $\check{C}$	2	mm
Sprockets tooth width $B_1$	11,1	mm
Sprockets tooth width $b_1$	10,8	mm
Sprockets tooth width $B_2$	30,3	mm
Sprockets tooth width $B_3$	49,8	mm

### CHAIN

Pitch	19,05	mm
Inner width	11,68	mm
Roller $\varnothing$	12,07	mm



#### SIMPLEX

#### DUPLEX

#### TRIPLEX

Z	d <sub>e</sub>	d <sub>p</sub>	PART NUMBER	d <sub>m</sub>	D <sub>1</sub>	A	kg.	PART NUMBER	d <sub>m</sub>	D <sub>1</sub>	A	kg.	PART NUMBER	d <sub>m</sub>	D <sub>1</sub>	A	kg.
8	57,31	49,78	10119008	31	12	30	0,21	10219008	31	12	45	0,31	10319008	31	16	65	0,45
9	63,23	55,70	10119009	37	12	30	0,29	10219009	37	12	45	0,44	10319009	37	16	65	0,64
10	69,18	61,65	10119010	42	12	30	0,38	10219010	42	12	45	0,59	10319010	42	16	65	0,86
11	75,15	67,62	10119011	46	14	35	0,51	10219011	47	16	50	0,81	10319011	47	20	70	1,09
12	81,13	73,60	10119012	52	14	35	0,65	10219012	53	16	50	1,02	10319012	53	20	70	1,39
13	87,13	79,60	10119013	58	14	35	0,80	10219013	59	16	50	1,25	10319013	59	20	70	1,72
14	93,14	85,61	10119014	64	14	35	0,97	10219014	65	16	50	1,46	10319014	65	20	70	2,08
15	99,16	91,63	10119015	70	14	35	1,16	10219015	71	16	50	1,74	10319015	71	20	70	2,47
16	105,18	97,65	10119016	75	16	35	1,34	10219016	77	20	50	2,03	10319016	77	20	70	2,89
17	111,20	103,67	10119017	80	16	35	1,53	10219017	83	20	50	2,36	10319017	83	20	70	3,34
18	117,23	109,70	10119018	80	16	35	1,62	10219018	89	20	50	2,70	10319018	89	20	70	3,83
19	123,27	115,74	10119019	80	16	35	1,70	10219019	95	20	50	3,07	10319019	95	20	70	4,35
20	129,31	121,78	10119020	80	16	35	1,80	10219020	100	20	50	3,43	10319020	100	20	70	4,87
21	135,35	127,82	10119021	90	20	40	2,35	10219021	100	20	50	3,69	10319021	100	20	70	5,20
22	141,39	133,86	10119022	90	20	40	2,46	10219022	100	20	50	3,97	10319022	100	20	70	5,65
23	147,43	139,90	10119023	90	20	40	2,56	10219023	110	20	50	4,51	10319023	110	20	70	6,38
24	153,48	145,95	10119024	90	20	40	2,68	10219024	110	20	50	4,81	10319024	110	20	70	6,87
25	159,52	151,99	10119025	90	20	40	2,80	10219025	120	20	50	5,41	10319025	120	20	70	7,77
26	165,57	158,04	10119026	95	20	40	3,08	10219026	120	20	50	5,73	10319026	120	20	70	8,21
27	171,62	164,09	10119027	95	20	40	3,21	10219027	120	20	50	6,08	10319027	120	20	70	8,77
28	177,67	170,14	10119028	95	20	40	3,34	10219028	120	20	50	6,43	10319028	120	20	70	9,35
29	183,72	176,19	10119029	95	20	40	3,48	10219029	120	20	50	6,80	10319029	120	20	70	9,96
30	189,78	182,25	10119030	95	20	40	3,63	10219030	120	20	50	7,19	10319030	120	20	70	10,59
31	195,83	188,30	10119031	100	20	40	3,78	10219031	130	20	50	7,59	10319031	130	25	70	11,55
32	201,88	194,35	10119032	100	20	40	3,93	10219032	130	20	50	8,00	10319032	130	25	70	12,22
33	207,94	200,41	10119033	100	20	40	4,09	10219033	130	20	50	8,42	10319033	130	25	70	12,92
34	213,99	206,46	10119034	100	20	40	4,25	10219034	130	20	50	8,86	10319034	130	25	70	13,64
35	220,05	212,52	10119035	100	20	40	4,42	10219035	130	20	50	9,31	10319035	130	25	70	14,38
36	226,10	218,57	10119036	100	20	40	4,71	10219036	130	25	50	9,71	10319036	130	25	70	15,14
37	232,16	224,63	10119037	100	20	40	4,89	10219037	130	25	50	10,19	10319037	130	25	70	15,93
38	238,22	230,69	10119038	100	20	40	5,07	10219038	130	25	50	10,78	10319038	130	25	70	16,73
39	244,27	236,74	10119039	100	20	40	5,26	10219039	130	25	50	11,19	10319039	130	25	70	17,57
40	250,33	242,80	10119040	100	20	40	5,46	10219040	130	25	50	11,71	10319040	130	25	70	18,42
42	262,45	254,92	10119042	110	25	56	8,14	10219042	140	25	63	14,51					
45	280,62	273,09	10119045	110	25	56	8,85	10219045	140	25	63	16,35	10319045	140	25	70	23,55
48	298,80	291,27	10119048	110	25	56	9,67	10219048	140	25	63	18,18					
50	310,92	303,39	10119050	110	25	56	10,15	10219050	140	25	63	19,44	10319050	140	25	70	28,73
57	353,34	345,81	10119057	110	25	56	11,85	10219057	140	25	63	24,43	10319057	140	25	70	37,16
60	371,52	363,99	10119060	110	25	56	12,71	10219060	140	25	63	26,77	10319060	140	30	70	41,01
76	468,51	460,98	10119076	110	30	56	18,02	10219076	140	30	63	41,88	10319076	140	30	70	65,41

MATERIAL **C 45 UNI 7845**  
FOR MONOLITHIC CHAIN SPROCKETS

MATERIAL **FE**  
FOR CHAIN SPROCKETS WITH WELDED HUB

CAD drawings available on our site  
[www.chiaravalli.com](http://www.chiaravalli.com)

Quantity, availability and prices  
on B2B Chiaravalli



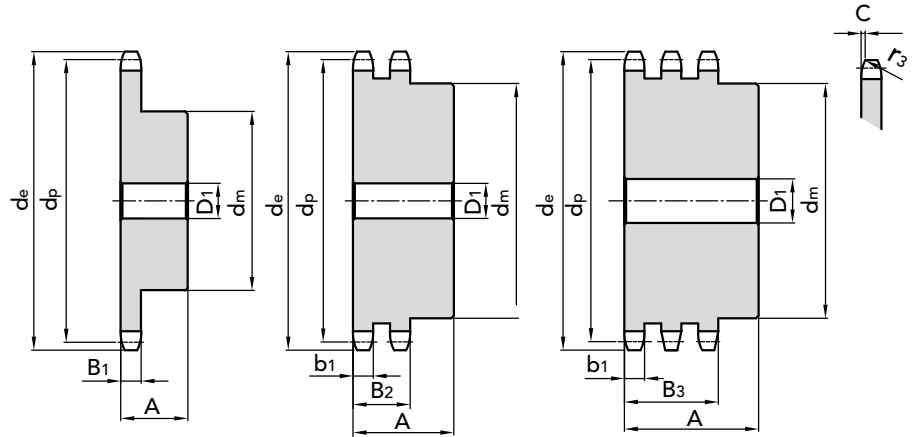
CHAIN SPROCKETS 3/4" x 7/16" for roller chains in compliance with DIN 8187 - ISO/R 606


**1" x 17.02 mm**
**CHAIN SPROCKETS**

Tooth radius $r_3$	26	mm
Radius width $\overset{\circ}{C}$	2,5	mm
Sprockets tooth width $B_1$	16,2	mm
Sprockets tooth width $b_1$	15,8	mm
Sprockets tooth width $B_2$	47,7	mm
Sprockets tooth width $B_3$	79,6	mm

**CHAIN**

Pitch	25,4	mm
Inner width	17,02	mm
Roller $\varnothing$	15,88	mm



Z	$d_e$	$d_p$	SIMPLEX				DUPLEX				TRIPLEX						
			PART NUMBER	$d_m$	$D_1$	A	kg.	PART NUMBER	$d_m$	$D_1$	A	kg.	PART NUMBER	$d_m$	$D_1$	A	kg.
8	77,49	66,37	10125008	42	16	35	0,47	10225008	42	16	65	0,81	10325008	42	20	95	1,19
9	85,38	74,26	10125009	50	16	35	0,66	10225009	50	16	65	1,15	10325009	50	20	95	1,68
10	93,32	82,20	10125010	55	16	35	0,83	10225010	56	16	65	1,52	10325010	56	20	95	2,24
11	101,28	90,16	10125011	61	16	40	1,14	10225011	64	20	70	2,08	10325011	64	25	100	2,86
12	109,26	98,14	10125012	69	16	40	1,43	10225012	72	20	70	2,60	10325012	72	25	100	3,62
13	117,26	106,14	10125013	78	16	40	1,77	10225013	80	20	70	3,18	10325013	80	25	100	4,45
14	125,27	114,15	10125014	84	16	40	2,08	10225014	88	20	70	3,82	10325014	88	25	100	5,37
15	133,29	122,17	10125015	92	20	40	2,46	10225015	96	20	70	4,51	10325015	96	25	100	6,37
16	141,32	130,20	10125016	100	20	45	3,14	10225016	104	20	70	5,17	10325016	104	30	100	7,45
17	149,35	138,23	10125017	100	20	45	3,33	10225017	112	20	70	5,98	10325017	112	30	100	8,60
18	157,39	146,27	10125018	100	20	45	3,56	10225018	120	20	70	6,84	10325018	120	30	100	9,84
19	165,44	154,32	10125019	100	20	45	3,78	10225019	128	20	70	7,76	10325019	128	30	100	11,16
20	173,49	162,37	10125020	100	20	45	4,03	10225020	130	20	70	8,52	10325020	130	30	100	12,36
21	181,54	170,42	10125021	110	20	50	5,01	10225021	130	25	70	9,24	10325021	130	30	100	13,56
22	189,60	178,48	10125022	110	20	50	5,28	10225022	130	25	70	10,00	10325022	130	30	100	14,82
23	197,66	186,54	10125023	110	20	50	5,56	10225023	130	25	70	10,8	10325023	130	30	100	16,15
24	205,72	194,60	10125024	110	20	50	5,86	10225024	130	25	70	11,64	10325024	130	30	100	17,53
25	213,78	202,66	10125025	110	20	50	6,16	10225025	130	25	70	12,52	10325025	130	30	100	18,99
26	221,84	210,72	10125026	120	20	50	6,96	10225026	130	25	70	13,43	10325026	130	30	100	20,34
27	229,91	218,79	10125027	120	20	50	7,30	10225027	130	25	70	14,38	10325027	130	30	100	21,92
28	237,98	226,86	10125028	120	20	50	7,64	10225028	130	25	70	15,38	10325028	130	30	100	23,57
29	246,05	234,93	10125029	120	20	50	8,00	10225029	130	25	70	16,41	10325029	130	30	100	25,27
30	254,12	243,00	10125030	120	20	50	8,38	10225030	130	25	70	17,48	10325030	130	30	100	27,05
31	262,19	251,07	10125031	120	25	50	8,69	10225031	140	25	70	18,96	10325031	140	30	100	29,23
32	270,26	259,14	10125032	120	25	50	9,09	10225032	140	25	70	20,10	10325032	140	30	100	31,13
33	278,33	267,21	10125033	120	25	50	9,50	10225033	140	25	70	21,29	10325033	140	30	100	33,10
34	286,40	275,28	10125034	120	25	50	9,93	10225034	140	25	70	22,21	10325034	140	30	100	35,13
35	294,48	283,36	10125035	120	25	50	10,36	10225035	140	25	70	23,77	10325035	140	30	100	37,23
36	302,55	291,43	10125036	120	25	50	10,81	10225036	140	25	70	25,07	10325036	140	30	100	39,39
37	310,63	299,51	10125037	120	25	50	11,28	10225037	140	25	70	26,41	10325038	140	30	100	43,90
38	318,70	307,58	10125038	120	25	50	11,76	10225038	140	25	70	27,79					
39	326,78	315,66	10125039	120	25	50	12,25	10225039	140	25	70	29,20					
40	334,86	323,74	10125040	120	25	50	12,75	10225040	140	25	70	30,65	10325040	140	30	100	48,67
42	351,01	339,89	10125042	125	25	70	16,54	10225042	150	25	80	33,63					
45	375,24	364,12	10125045	125	25	70	18,15	10225045	150	25	80	38,44	10325045	160	30	100	63,94
48	399,48	388,36	10125048	125	25	70	19,86	10225048	150	30	80	43,61					
50	415,64	404,52	10125050	125	25	70	20,89	10225050	150	30	80	47,25	10325050	160	30	100	78,58
57	472,20	461,08	10125057	125	30	70	25,52	10225057	160	30	90	63,45	10325057	180	40	110	103,03
60	496,45	485,33	10125060	125	30	70	27,76	10225060	160	30	90	70,00					
76	625,76	614,64	10125076	140	30	80	42,97	10225076	160	30	90	110,79	10325076	180	40	110	181,86

MATERIAL **C 45 UNI 7845**  
FOR MONOLITHIC CHAIN SPROCKETS

MATERIAL **FE**  
FOR CHAIN SPROCKETS WITH WELDED HUB

CAD drawings available on our site  
[www.chiaravalli.com](http://www.chiaravalli.com)

Quantity, availability and prices  
on B2B Chiaravalli







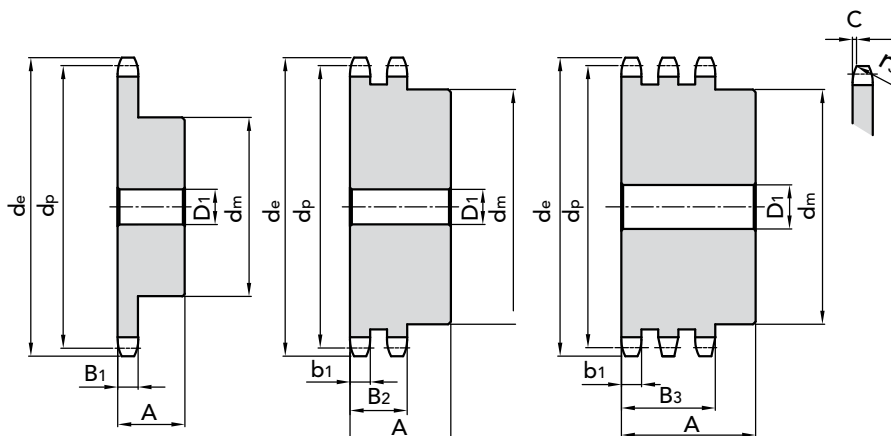
## 1" 1/4 x 3/4"

### CHAIN SPROCKETS

Tooth radius $r_3$	32	mm
Radius width $\bar{C}$	3,5	mm
Sprockets tooth width $B_1$	18,5	mm
Sprockets tooth width $b_1$	18,2	mm
Sprockets tooth width $B_2$	54,6	mm
Sprockets tooth width $B_3$	91	mm

### CHAIN

Pitch	31,75	mm
Inner width	19,56	mm
Roller $\varnothing$	19,05	mm



#### SIMPLEX

#### DUPLEX

#### TRIPLEX

Z	d <sub>e</sub>	d <sub>p</sub>	PART NUMBER	d <sub>m</sub>	D <sub>1</sub>	A	kg.	PART NUMBER	d <sub>m</sub>	D <sub>1</sub>	A	kg.	PART NUMBER	d <sub>m</sub>	D <sub>1</sub>	A	kg.
8	98,10	82,96	10131008	53	20	40	0,85	10231008	53	20	75	1,58	10331008	53	20	110	2,15
9	108,00	92,84	10131009	63	20	40	1,19	10231009	63	20	75	2,19	10331009	63	20	110	3,05
10	117,90	102,74	10131010	70	20	40	1,51	10231010	70	20	75	2,85	10331010	70	20	110	4,04
11	127,80	112,68	10131011	77	20	45	2,05	10231011	80	20	80	3,72	10331011	80	20	115	5,19
12	137,80	122,68	10131012	88	20	45	2,60	10231012	90	20	80	4,66	10331012	90	20	115	6,55
13	147,80	132,65	10131013	98	20	45	3,15	10231013	100	20	80	5,70	10331013	100	20	115	8,06
14	157,80	142,68	10131014	108	20	45	3,80	10231014	110	20	80	6,84	10331014	110	20	115	9,71
15	167,90	152,72	10131015	118	20	45	4,47	10231015	120	20	80	8,08	10331015	120	20	115	11,50
16	177,90	162,75	10131016	120	25	50	5,25	10231016	120	25	80	8,90	10331016	120	25	115	13,06
17	187,90	172,78	10131017	120	25	50	5,60	10231017	120	25	80	9,92	10331017	120	25	115	14,65
18	198,00	182,85	10131018	120	25	50	6,00	10231018	120	25	80	11,00	10331018	120	25	115	16,54
19	208,10	192,91	10131019	120	25	50	6,40	10231019	120	25	80	12,16	10331019	120	25	115	18,45
20	218,10	202,98	10131020	120	25	50	6,85	10231020	120	25	80	13,38	10331020	120	25	115	20,48
21	228,20	213,04	10131021	140	25	55	8,75	10231021	140	25	80	15,49	10331021	140	25	115	23,38
22	238,30	223,11	10131022	140	25	55	9,30	10231022	140	25	80	16,86	10331022	140	25	115	25,64
23	248,30	233,17	10131023	140	25	55	9,77	10231023	140	25	80	18,29	10331023	140	25	115	28,00
24	258,40	243,23	10131024	140	25	55	10,30	10231024	140	25	80	19,79	10331024	140	25	115	30,49
25	268,50	253,33	10131025	140	25	55	10,80	10231025	140	25	80	21,36	10331025	140	25	115	33,09
26	278,60	263,40	10131026	150	25	55	12,09	10231026	150	25	80	23,45	10331026	150	25	115	36,23
27	288,60	273,40	10131027	150	25	55	12,65	10231027	150	25	80	25,15	10331027	150	25	115	39,06
28	298,70	283,56	10131028	150	25	55	13,29	10231028	150	25	80	26,93	10331028	150	25	115	42,00
29	308,80	293,65	10131029	150	25	55	13,93	10231029	150	25	80	28,77	10331029	150	25	115	45,00
30	318,90	303,75	10131030	150	25	55	14,60	10231030	150	25	80	30,69	10331030	150	25	115	48,23
31	329,00	313,85	10131031	160	25	55	15,28	10231031	150	25	80	32,67	10331031	150	25	115	51,50
32	339,10	323,91	10131032	160	25	55	16,00	10231032	150	25	80	32,72	10331032	150	30	115	54,61
33	349,20	334,01	10131033	160	25	55	16,70	10231033	150	25	80	35,00	10331033	150	30	115	58,37
34	359,30	344,10	10131034	160	25	55	17,49	10231034	150	25	80	39,03	10331034	150	30	115	62,06
35	369,40	354,20	10131035	160	25	55	18,30	10231035	150	25	80	41,28	10331035	150	30	115	65,80
36	379,50	364,30	10131036	160	25	55	19,10	10231036	150	30	80	43,61	10331036	150	30	115	69,66
37	389,50	374,39	10131037	160	25	55	19,90						10331037	150	30	115	73,00
38	399,60	384,49	10131038	160	25	55	20,75	10231038	150	30	80	48,46	10331038	150	30	115	77,72
39	409,70	394,59	10131039	160	25	55	21,70	10231039	150	30	80	51,00					
40	419,80	404,68	10131040	160	25	55	22,53	10231040	150	30	80	53,60	10331040	150	30	115	86,24
42	440,00	424,88	10131042	160	30	70	28,84										
45	470,30	455,17	10131045	160	30	70	31,79	10231045	160	30	90	71,32	10331045	180	40	115	110,41
48	500,60	485,46	10131048	160	30	70	32,80										
50	520,80	505,65	10131050	160	30	70	35,00	10231050	160	30	90	87,08	10331050	180	40	115	136,59
57	591,50	576,36	10131057	160	30	80	37,21	10231057	160	30	100	116,28	10331057	180	40	125	181,21
60	621,80	606,65	10131060	160	30	80	45,79										
76	783,50	768,32	10131076	160	30	90	75,81	10231076	180	30	100	200,96	10331076	200	40	140	322,03

MATERIAL **C 45 UNI 7845**  
FOR MONOLITHIC CHAIN SPROCKETS

MATERIAL **FE**  
FOR CHAIN SPROCKETS WITH WELDED HUB

CAD drawings available on our site  
[www.chiaravalli.com](http://www.chiaravalli.com)

Quantity, availability and prices  
on B2B Chiaravalli



CHAIN SPROCKETS 1" 1/4 x 3/4" for roller chains in compliance with DIN 8187 - ISO/R 606



CHAIN SPROCKETS 1" 1/2 x 1" for roller chains in compliance with DIN 8187 - ISO/R 606

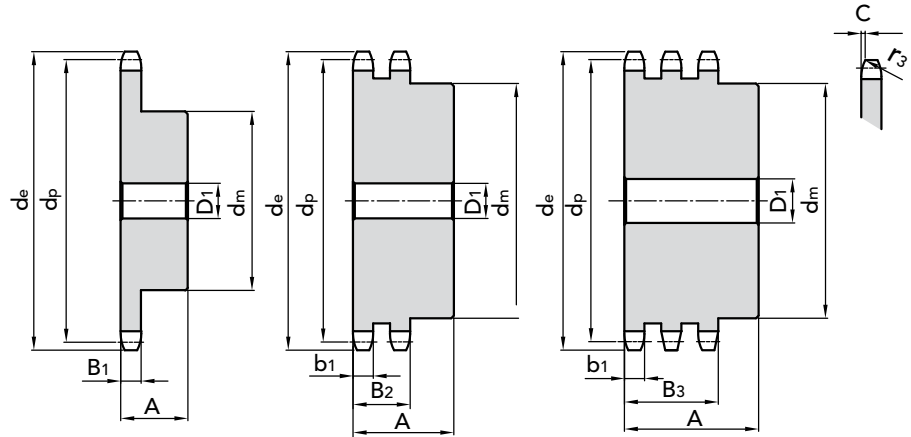
## 1" 1/2 x 1"

### CHAIN SPROCKETS

Tooth radius $r_s$	38	mm
Radius width $\check{C}$	4	mm
Sprockets tooth width $B_1$	24,1	mm
Sprockets tooth width $b_1$	23,6	mm
Sprockets tooth width $B_2$	72	mm
Sprockets tooth width $B_3$	120,3	mm

### CHAIN

Pitch	38,1	mm
Inner width	25,4	mm
Roller $\varnothing$	25,4	mm



Z	$d_e$	$d_p$	SIMPLEX				DUPLEX				TRIPLEX						
			PART NUMBER	$d_m$	$D_1$	A	kg.	PART NUMBER	$d_m$	$D_1$	A	kg.	PART NUMBER	$d_m$	$D_1$	A	kg.
8	115,00	99,55	10138008	58	20	45	1,38	10238008	58	25	95	2,70	10338008	58	25	140	4,00
9	126,40	111,40	10138009	70	20	45	1,90	10238009	70	25	95	3,79	10338009	70	25	140	5,62
10	138,00	123,29	10138010	80	20	45	2,47	10238010	80	25	95	5,01	10338010	80	25	140	7,45
11	150,00	135,21	10138011	90	25	50	3,27	10238011	90	25	100	6,62	10338011	90	25	150	9,73
12	162,00	147,22	10138012	102	25	50	4,09	10238012	102	25	100	8,28	10338012	102	25	150	12,24
13	174,20	159,18	10138013	114	25	50	5,00	10238013	114	25	100	10,13	10338013	114	25	150	15,02
14	186,20	171,22	10138014	128	25	50	6,09	10238014	128	25	100	12,24	10338014	128	25	150	18,16
15	198,20	183,26	10138015	140	25	50	6,84	10238015	140	25	100	14,08	10338015	140	25	150	21,09
16	210,30	195,30	10138016	140	25	55	8,20	10238016	140	25	100	15,88	10338016	140	25	150	24,25
17	222,30	207,34	10138017	140	25	55	8,87	10238017	150	25	100	17,80	10338017	150	25	150	27,42
18	234,30	219,42	10138018	140	25	55	9,59	10238018	160	25	100	21,08	10338018	160	25	150	32,12
19	246,50	231,49	10138019	140	25	55	10,36	10238019	160	25	100	23,26	10338019	160	25	150	35,74
20	258,60	243,57	10138020	140	25	55	11,16	10238020	160	25	100	25,57	10338020	160	25	150	39,57
21	270,60	255,65	10138021	150	25	60	13,35	10238021	160	25	100	28,01	10338021	160	30	150	42,98
22	282,70	267,73	10138022	150	25	60	14,24	10238022	160	25	100	30,59	10338022	160	30	150	47,25
23	294,80	279,80	10138023	150	25	60	15,18	10238023	160	25	100	33,29	10338023	160	30	150	51,74
24	306,80	291,88	10138024	150	25	60	16,16	10238024	160	25	100	33,13	10338024	160	30	150	56,44
25	319,00	304,00	10138025	150	25	60	17,19	10238025	160	25	100	39,09	10338025	160	30	150	61,37
26	331,00	316,08	10138026	160	30	60	18,25	10238026	160	30	100	42,19	10338026	160	30	150	66,52
27	343,20	328,19	10138027	160	30	60	19,37	10238027	160	30	100	45,41	10338027	160	30	150	71,88
28	355,20	340,27	10138028	160	30	60	20,52	10238028	160	30	100	48,77	10338028	160	30	150	77,46
29	367,30	352,38	10138029	160	30	60	21,72	10238029	160	30	100	52,26					
30	379,50	364,50	10138030	160	30	60	22,97	10238030	160	30	100	55,88	10338030	160	40	150	89,28
31	391,60	376,62	10138031	160	30	60	21,25	10238031	170	30	100	59,19	10338032	170	40	150	101,97
32	403,70	388,69	10138032	160	30	60	25,59	10238032	170	30	100	63,07	10338035	170	40	150	122,64
33	415,80	400,81	10138033	160	30	60	26,96	10238033	170	30	100	67,08	10338038	170	40	150	145,28
34	427,80	412,93	10138034	160	30	60	28,38	10238034	170	30	100	71,21	10338040	170	40	150	161,46
35	440,00	425,04	10138035	160	30	60	29,84	10238035	170	30	100	75,49	10338045	200	40	150	209,06
36	452,00	437,16	10138036	160	30	60	31,34	10238036	170	30	100	79,89	10338050	200	40	150	258,81
37	464,20	449,27	10138037	160	30	60	32,90	10238037	170	30	100	84,43	10338057	220	40	150	337,62
38	476,20	461,39	10138038	160	30	60	34,49	10238038	170	30	100	89,09	10338076	250	40	150	607,76
39																	
40	500,60	485,62	10138040	160	30	60	37,51	10238040	170	30	100	98,98					
42	524,70	509,85	10138042	160	30	90	48,52										
45	561,20	546,20	10138045	160	30	90	54,08	10238045	180	40	100	132,81					
48	597,40	582,55	10138048	160	30	90	60,04										
50	621,70	606,78	10138050	160	30	90	64,24	10238050	180	40	100	162,65					
57	706,50	691,63	10138057	160	30	100	80,28	10238057	200	40	110	209,91					
60	742,80	727,97	10138060	160	40	100	87,82										
76	936,90	921,98	10138076	170	40	100	140,54	10238076	220	40	120	373,88					

MATERIAL **C 45 UNI 7845**  
FOR MONOLITHIC CHAIN SPROCKETS

MATERIAL **FE WITH HUB**

CAD drawings available on our site  
[www.chiaravalli.com](http://www.chiaravalli.com)

Quantity, availability and prices  
on B2B Chiaravalli





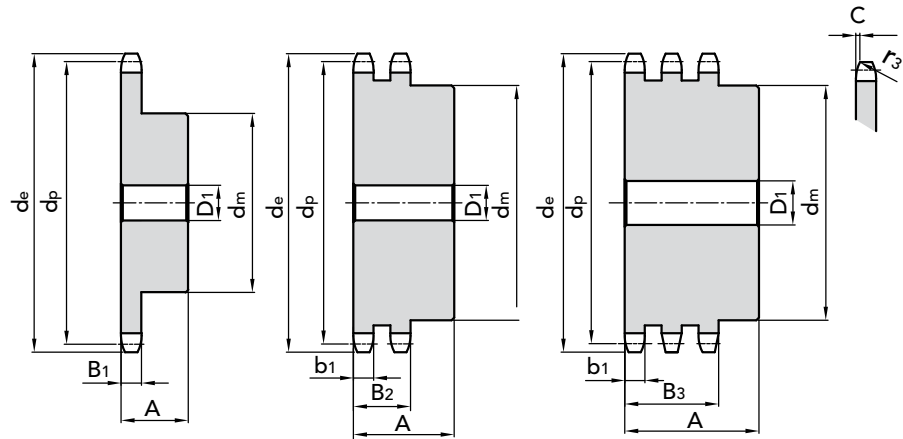
## 1" 3/4 x 1" 1/4

### CHAIN SPROCKETS

Tooth radius $r_3$	44	mm
Radius width $\bar{C}$	5	mm
Sprockets tooth width $B_1$	29,4	mm
Sprockets tooth width $b_1$	28,8	mm
Sprockets tooth width $B_2$	88,4	mm
Sprockets tooth width $B_3$	148	mm

### CHAIN

Pitch	44,45	mm
Inner width	30,99	mm
Roller $\varnothing$	27,94	mm



#### SIMPLEX

#### DUPLEX

#### TRIPLEX

Z	d <sub>e</sub>	d <sub>p</sub>	PART NUMBER	d <sub>m</sub>	D <sub>1</sub>	A	kg.	PART NUMBER	d <sub>m</sub>	D <sub>1</sub>	A	kg.	PART NUMBER	d <sub>m</sub>	D <sub>1</sub>	A	kg.
8	132,00	116,15	10144008	74	25	70	2,86	10244008	74	25	120	4,75	10344008	74	30	180	7,04
9	148,40	129,96	10144009	88	25	70	4,00	10244009	88	25	120	6,66	10344009	88	30	180	9,89
10	162,30	143,85	10144010	100	25	70	5,18	10244010	100	25	120	8,79	10344010	100	30	180	13,10
11	176,30	157,77	10144011	112	25	70	6,51	10244011	112	25	120	11,79	10344011	112	30	180	16,73
12	189,50	171,74	10144012	125	25	70	8,04	10244012	125	25	120	13,91	10344012	125	30	180	20,84
13	204,20	185,75	10144013	130	25	70	8,88	10244013	130	25	120	16,25	10344013	130	30	180	24,70
14	218,20	199,76	10144014	140	25	70	9,79	10244014	140	25	120	18,81	10344014	140	30	180	28,93
15	232,30	213,79	10144015	145	25	70	10,77	10244015	145	25	120	22,64	10344015	145	30	180	34,58
16	246,30	227,84	10144016	160	30	75	14,96	10244016	160	25	120	26,52	10344016	160	30	180	40,44
17	260,00	241,91	10144017	160	30	75	16,09	10244017	160	30	120	29,74	10344017	160	30	180	45,77
18	274,00	255,98	10144018	160	30	75	17,28	10244018	160	30	120	33,17	10344018	160	30	180	51,76
19	289,00	270,06	10144019	160	30	75	18,56	10244019	180	30	120	38,14	10344019	180	30	180	58,07
20	303,00	284,15	10144020	160	30	75	19,90	10244020	180	30	120	42,02	10344020	180	30	180	64,49
21	317,00	298,24	10144021	170	30	75	21,31	10244021	180	30	120	49,10	10344021	180	30	180	71,28
22	331,00	312,34	10144022	170	30	75	22,80	10244022	180	30	120	50,40					
23	345,00	326,44	10144023	170	30	75	24,36	10244023	180	30	120	54,92	10344023	180	30	180	85,94
24	359,00	340,55	10144024	170	30	75	26,00	10244024	180	30	120	59,50					
25	373,00	354,66	10144025	170	30	75	27,70	10244025	180	30	120	64,62	10344025	180	40	180	112,07
26	387,00	368,77	10144026	170	30	75	29,48	10244026	180	30	120	69,28					
27	401,40	382,88	10144027	170	30	75	31,36										
28	416,00	397,00	10144028	170	30	75	33,26	10244028	180	30	120	80,28					
29																	
30	444,00	425,24	10144030	170	30	75	37,33	10244030	180	30	120	92,17	10344030	180	40	180	148,79
31																	
32	472,00	453,49	10144032	180	30	75	43,59										
33																	
34	500,00	481,75	10144034	180	30	75	48,24										
35	514,00	495,88	10144035	180	30	75	50,57	10244035	200	30	120	127,17					
36	529,00	510,01	10144036	180	30	75	53,18										
37																	
38	557,00	538,27	10144038	180	30	75	58,40	10244038	200	30	120	149,9	10344038	200	40	180	244,01
39																	
40	585,00	566,54	10144040	180	30	75	63,92	10244040	200	30	120	167,15	10344040	200	40	180	271,10
45	656,00	637,22	10144045	180	30	90	79,12	10244045	200	30	120	218,10	10344045	200	40	180	352,63
50	726,00	707,91	10144050	180	30	90	96,00	10244050	200	30	120	267,99	10344057	220	40	180	567,76
57	825,00	806,90	10144057	180	40	90	125,13	10244057	200	40	120	346,99	10344076	250	40	190	1024,97
60	869,00	849,32	10144060	180	40	90	144,00										
76	1.095,0	1.075,62	10144076	200	40	100	215,46	10244076	250	40	130	615,35					

MATERIAL **C 45 UNI 7845**  
FOR MONOLITHIC CHAIN SPROCKETS

MATERIAL **FE**  
FOR CHAIN SPROCKETS WITH WELDED HUB

CAD drawings available on our site  
[www.chiaravalli.com](http://www.chiaravalli.com)

Quantity, availability and prices  
on B2B Chiaravalli



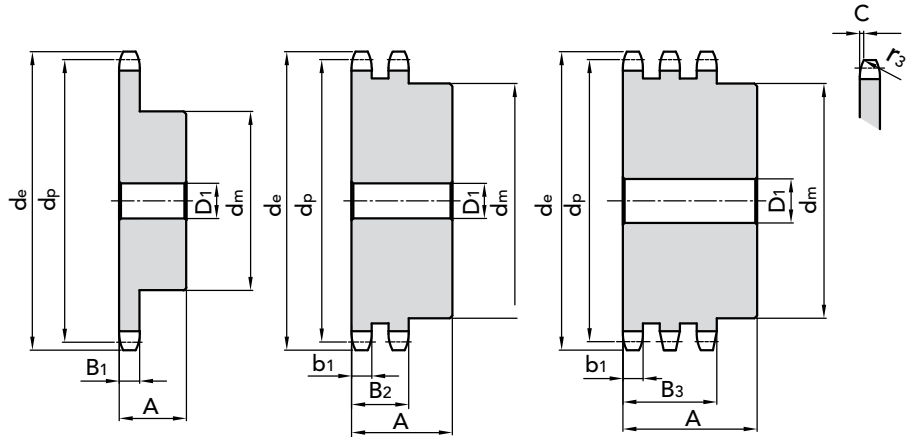
CHAIN SPROCKETS 1" 3/4 x 1" 1/4 for roller chains in compliance with DIN 8187 - ISO/R 606


**2" x 1" 1/4**
**CHAIN SPROCKETS**

Tooth radius $r_s$	51	mm
Radius width $\bar{C}$	5	mm
Sprockets tooth width $B_1$	29,4	mm
Sprockets tooth width $b_1$	28,8	mm
Sprockets tooth width $B_2$	87,4	mm
Sprockets tooth width $B_3$	146	mm

**CHAIN**

Pitch	50,8	mm
Inner width	30,99	mm
Roller $\varnothing$	29,21	mm



Z	$d_e$	$d_p$	SIMPLEX					DUPLEX				TRIPLEX					
			PART NUMBER	$d_m$	$D_1$	A	kg.	PART NUMBER	$d_m$	$D_1$	A	kg.	PART NUMBER	$d_m$	$D_1$	A	kg.
8	153,20	132,69	10150008	82	25	80	4,20	10250008	82	30	120	6,65	10350008	82	30	180	9,90
9	169,00	148,54	10150009	88	25	80	5,78	10250009	88	30	120	9,14	10350009	88	30	180	13,65
10	185,00	164,44	10150010	104	25	80	7,60	10250010	104	30	120	12,01	10350010	104	30	180	17,97
11	200,80	180,34	10150011	120	30	80	9,26	10250011	120	30	120	14,75	10350011	120	30	180	22,22
12	216,80	196,29	10150012	133	30	80	10,91	10250012	133	30	120	17,95	10350012	133	30	180	27,23
13	232,80	212,29	10150013	145	30	80	13,05	10250013	145	30	120	21,68	10350013	145	30	180	32,98
14	248,80	228,29	10150014	160	30	80	14,25	10250014	160	30	120	25,03	10350014	160	30	180	38,50
15	264,80	244,30	10150015	160	30	80	15,53	10250015	160	30	120	29,30	10350015	160	30	180	45,04
16	280,90	260,40	10150016	160	30	90	19,87	10250016	160	30	120	33,21	10350016	160	30	180	51,50
17	296,90	276,40	10150017	170	30	90	21,35	10250017	180	30	120	38,76	10350017	180	30	180	61,45
18	313,00	292,55	10150018	170	30	90	22,92	10250018	180	30	120	43,24	10350018	180	30	180	68,85
19	329,10	308,66	10150019	170	30	90	24,53	10250019	200	30	120	49,52	10350019	200	30	180	76,73
20	345,20	324,71	10150020	180	30	90	28,50	10250020	200	30	120	54,56	10350020	200	30	180	85,07
21	361,30	340,82	10150021	180	30	90	30,36	10250021	200	30	120	59,87	10350021	200	40	180	93,89
22	377,50	356,98	10150022	180	30	90	32,31	10250022	200	30	120	65,47					
23	393,60	373,08	10150023	180	30	90	34,36	10250023	200	30	120	71,35	10350023	200	40	180	112,93
24	409,70	389,18	10150024	180	30	90	36,50	10250024	200	30	120	77,52					
25	425,80	405,33	10150025	180	30	90	38,74	10250025	200	30	120	83,66	10350025	200	40	180	133,86
26	441,90	421,44	10150026	180	30	90	41,07	10250026	200	30	120	90,69					
27	458,10	437,69	10150027	180	30	90	46,01	10250027	200	30	120	98,50					
28	474,20	453,69	10150028	180	30	90	46,01	10250028	200	30	120	104,99					
29																	
30	506,50	486,00	10150030	180	30	90	51,34	10250030	200	30	120	120,41	10350030	200	40	180	194,42
32	538,80	518,28	10150032	180	30	90	59,89										
35	589,50	566,72	10150035	180	30	90	69,16	10250035	200	30	120	163,85					
38	635,50	615,14	10150038	180	30	90	79,28	10250038	200	40	120	193,33	10350038	200	40	180	316,22
40	670,30	647,49	10150040	180	30	90	86,50	10250040	200	40	120	214,39					
45	751,00	728,26	10150045	180	40	100	118,87	10250045	200	40	120	282,32	10350045	200	40	180	456,64
50	831,80	809,04	10150050	180	40	100	140,96	10250050	200	40	120	346,95	10350050	200	40	180	564,27
57	945,00	922,17	10150057	180	40	100	175,86	10250057	220	40	120	449,27	10350057	250	40	180	734,72
60	993,40	970,63	10150060	180	40	100	192,24										
76	1.252,0	1.229,28	10150076	200	40	110	294,00	10250076	250	40	130	796,60	10350076	250	40	190	1319,64

MATERIAL **C 45 UNI 7845**  
FOR MONOLITHIC CHAIN SPROCKETS

MATERIAL **FE**  
FOR CHAIN SPROCKETS WITH WELDED HUB

CAD drawings available on our site  
[www.chiaravalli.com](http://www.chiaravalli.com)

Quantity, availability and prices  
on B2B Chiaravalli





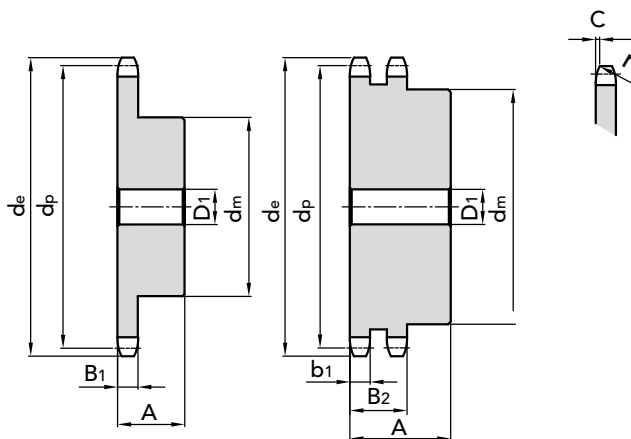
pitch 3/8" x 3/16"

### CHAIN SPROCKETS

Tooth radius $r_3$	10	mm
Radius width $\bar{C}$	1,2	mm
Sprockets tooth width $B_1$	4,4	mm
Sprockets tooth width $b_1$	4,3	mm
Sprockets tooth width $B_2$	14,4	mm

### CHAIN

Pitch	9,525	mm
Inner width	4,77	mm
Roller $\varnothing$	5,08	mm



#### SIMPLEX

#### DUPLEX

Z	d <sub>e</sub>	d <sub>p</sub>	PART NUMBER	d <sub>m</sub>	D <sub>1</sub>	A	kg.	PART NUMBER	d <sub>m</sub>	D <sub>1</sub>	A	kg.
8												
9	31,50	27,85	11103009	18	8	20	0,05					
10	35,70	30,82	11103010	20	8	22	0,05	11203010	20	8	22	0,15
11	38,69	33,80	11103011	22	8	25	0,08	11203011	22	10	25	0,15
12	41,68	36,80	11103012	25	8	25	0,10					
13	44,68	39,80	11103013	28	10	25	0,12	11203013	28	10	25	0,16
14	47,68	42,80	11103014	31	10	25	0,15	11203014	31	10	25	0,19
15	50,69	45,81	11103015	34	10	25	0,19	11203015	34	10	25	0,23
16	53,70	48,82	11103016	37	10	28	0,24	11203016	37	12	30	0,27
17	56,72	51,83	11103017	38	10	28	0,28	11203017	40	12	30	0,31
18	59,73	54,85	11103018	38	10	28	0,32	11203018	43	12	30	0,36
19	62,75	57,87	11103019	46	10	28	0,36	11203019	46	12	30	0,42
20	65,77	60,89	11103020	46	10	28	0,38	11203020	49	12	30	0,42
21	68,79	63,91	11103021	46	10	28	0,41	11203021	52	12	30	0,51
22	71,81	66,93	11103022	52	12	28	0,45	11203022	55	12	30	0,57
23	74,83	69,95	11103023	52	12	28	0,49	11203023	58	12	30	0,64
24	77,85	72,97	11103024	52	12	28	0,54	11203024	61	12	30	0,71
25	80,88	76,00	11103025	58	12	28	0,60	11203025	64	12	30	0,78
26	83,90	79,02	11103026	58	12	28	0,66	11203026	67	12	30	0,78
27	86,93	82,04	11103027	58	12	28	0,67	11203027	70	12	30	0,94
28	89,95	85,07	11103028	60	12	28	0,68	11203028	73	12	30	1,02
30	96,00	91,12	11103030	60	12	28	0,71					
31	97,9	94,15	11103031	65	14	30	0,87	11203031	80	16	30	1,02
32	100,9	97,17	11103032	65	14	30	0,86	11203032	80	16	30	1,31
33	103,9	100,20	11103033	65	14	30	1,13					
34	106,9	103,23						11203034	80	16	30	1,42
35	110,0	106,26	11103035	65	14	30	0,94	11203035	80	16	30	1,48
36	114,17	109,29	11103036	70	16	30	1,05					
37	116,0	112,32	11103037	70	16	30	1,09					
38	119,0	115,34	11103038	70	16	30	1,08	11203038	90	16	30	1,48
39	122,1	118,37	11103039	70	16	30	1,10	11203039	90	16	30	1,48
40												

MATERIAL C 45 UNI 7845

CAD drawings available on our site  
[www.chiaravalli.com](http://www.chiaravalli.com)

Quantity, availability and prices  
 on B2B Chiaravalli



CHAIN SPROCKETS ASA 35 pitch 3/8" x 3/16" for roller chains in compliance with DIN 8188 - ISO/R 606 - ANSI B 29.1



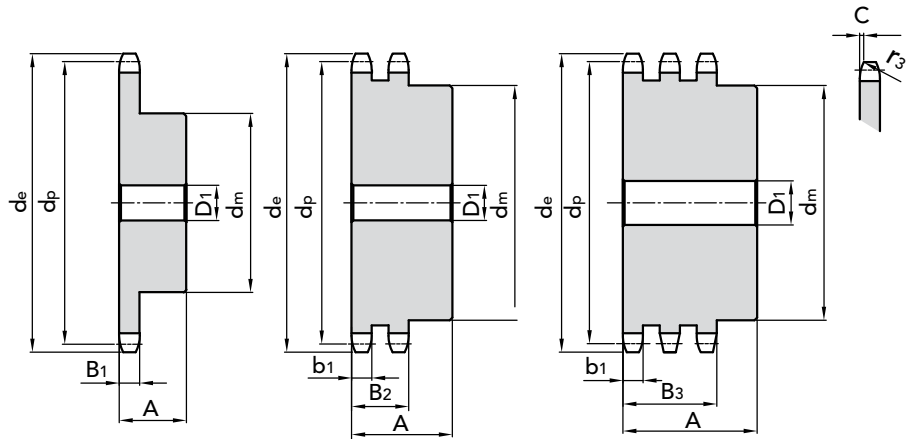
pitch 1/2" x 5/16"

## CHAIN SPROCKETS

Tooth radius $r_3$	13,5 mm
Radius width $\bar{C}$	1,6 mm
Sprockets tooth width $B_1$	7,4 mm
Sprockets tooth width $b_1$	7,2 mm
Sprockets tooth width $B_2$	21,6 mm
Sprockets tooth width $B_3$	36 mm

## CHAIN

Pitch	12,7 mm
Inner width	7,94 mm
Roller $\varnothing$	7,94 mm



## SIMPLEX

## DUPLEX

## TRIPLEX

Z	d <sub>e</sub>	d <sub>p</sub>	PART NUMBER	d <sub>m</sub>	D <sub>1</sub>	A	kg.	PART NUMBER	d <sub>m</sub>	D <sub>1</sub>	A	kg.	PART NUMBER	d <sub>m</sub>	D <sub>1</sub>	A	kg.
8	39,30	33,18	11104008	26	10	25	0,10										
10	47,66	41,10	11104010	29	10	25	0,12	11204010	28	10	32	0,19	11304010	28	14	50	0,24
11	51,64	45,08	11104011	35	10	28	0,14	11204011	32	12	35	0,29					
12	55,63	49,07	11104012	35	10	28	0,20	11204012	35	12	35	0,35	11304012	35	14	50	0,39
13	59,63	53,07	11104013	35	10	28	0,26	11204013	38	12	35	0,43	11304013	38	14	50	0,49
14	63,63	57,07	11104014	46	10	28	0,32	11204014	42	12	35	0,52	11304014	42	14	50	0,60
15	67,64	61,08	11104015	48	10	28	0,38	11204015	46	12	35	0,62	11304015	46	14	50	0,72
16	71,66	65,10	11104016	48	10	28	0,45	11204016	50	14	35	0,73	11304016	50	16	50	0,85
17	75,68	69,12	11104017	48	10	28	0,50	11204017	54	14	35	0,83	11304017	54	16	50	0,99
18	79,70	73,14	11104018	60	12	28	0,58	11204018	58	14	35	0,97	11304018	58	16	50	1,14
19	83,72	77,16	11104019	60	12	28	0,67	11204019	62	14	35	1,12	11304019	62	16	50	1,30
20	87,74	81,18	11104020	65	12	28	0,77	11204020	66	14	35	1,28	11304020	66	16	50	1,47
21	91,77	85,21	11104021	65	12	28	0,84	11204021	70	16	40	1,37	11304021	70	20	55	1,79
22	95,80	89,24	11104022	65	12	28	0,91	11204022	70	16	40	1,46	11304022	70	20	55	1,93
23	99,83	93,27	11104023	70	12	28	0,94	11204023	70	16	40	1,63	11304023	70	20	55	2,08
24	103,86	97,30	11104024	70	14	28	0,97	11204024	75	16	40	1,82	11304024	75	20	55	2,32
25	107,89	101,33	11104025	70	14	28	1,01	11204025	80	16	40	2,01	11304025	80	20	55	2,57
26	111,92	105,36	11104026	70	14	28	1,09	11204026	85	20	40	2,12	11304026	85	20	55	2,79
27	115,96	109,40	11104027	70	16	30	1,13	11204027	85	20	40	2,33	11304027	85	20	55	2,96
28	119,99	113,43	11104028	70	16	30	1,16	11204028	90	20	40	2,79	11304028	90	20	55	3,25
29																	
30	128,06	121,50	11104030	80	16	30	1,46	11204030	100	20	40	3,25					
31								11204031	100	20	40	3,33					
32	136,13	129,57	11104032	80	16	30	1,78										
33								11204033	100	20	40	3,40	11304033	110	20	55	4,74
34								11204034	100	20	40	3,50					
35	148,24	141,68	11104035	90	16	30	1,92	11204035	100	20	40	3,60					
36	152,28	145,72	11104036	90	16	30	2,21										
37								11204037	100	20	40	3,69					
38	160,35	153,79	11104038	90	16	35	2,32	11204038	100	20	40	3,84	11304038	120	25	55	6,14
39								11204039	100	20	40	4,00					
40	168,43	161,87	11104040	90	16	35	2,43						11304040	120	25	55	6,66

MATERIAL C 45 UNI 7845

CAD drawings available on our site  
[www.chiaravalli.com](http://www.chiaravalli.com)

Quantity, availability and prices  
 on B2B Chiaravalli





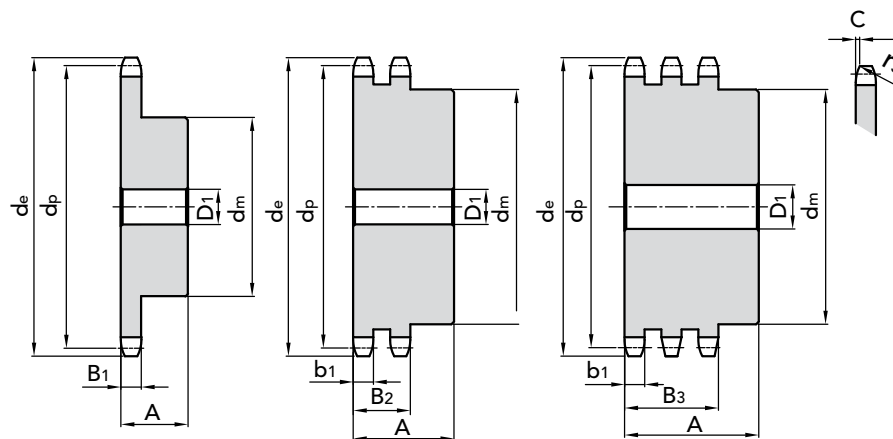
pitch 5/8" x 3/8"

### CHAIN SPROCKETS

Tooth radius $r_3$	17	mm
Radius width $\bar{C}$	2	mm
Sprockets tooth width $B_1$	9	mm
Sprockets tooth width $b_1$	8,8	mm
Sprockets tooth width $B_2$	26,9	mm
Sprockets tooth width $B_3$	45	mm

### CHAIN

Pitch	15,875	mm
Inner width	9,52	mm
Roller $\varnothing$	10,16	mm



#### SIMPLEX

#### DUPLEX

#### TRIPLEX

Z	d <sub>e</sub>	d <sub>p</sub>	PART NUMBER	d <sub>m</sub>	D <sub>1</sub>	A	kg.	PART NUMBER	d <sub>m</sub>	D <sub>1</sub>	A	kg.	PART NUMBER	d <sub>m</sub>	D <sub>1</sub>	A	kg.
8	47,00	41,48	10115008	25	10	25	0,12										
9	52,60	46,42	10115009	30	10	25	0,16										
10	57,50	51,37	10115010	35	10	25	0,22										
11	63,00	56,34	10115011	37	12	30	0,29										
12	68,00	61,34	10115012	42	12	30	0,37						11305012	44	16	55	0,54
13	73,00	66,32	10115013	47	12	30	0,46	11205013	49	14	40	0,67	11305013	49	16	55	0,67
14	78,00	71,34	10115014	52	12	30	0,56	11205014	54	14	40	0,82	11305014	54	16	55	0,82
15	83,00	76,36	10115015	57	12	30	0,67	11205015	59	14	40	0,97	11305015	59	16	55	0,97
16	88,00	81,37	10115016	60	12	30	0,76	11205016	64	16	45	1,25	11305016	64	16	60	1,25
17	93,00	86,39	10115017	60	12	30	0,88	11205017	69	16	45	1,45	11305017	69	16	60	1,45
18	98,00	91,42	10115018	70	14	30	1,01	11205018	74	16	45	1,56	11305018	74	16	60	1,56
19	103,30	96,45	10115019	70	14	30	1,15	11205019	79	16	45	1,67	11305019	79	16	60	1,67
20	108,40	101,49	10115020	75	14	30	1,21	11205020	84	16	45	2,14	11305020	84	16	60	2,14
21	113,40	106,52	10115021	75	16	30	1,35	11205021	85	16	45	2,27	11305021	85	20	60	2,27
22	118,00	111,55	10115022	80	16	30	1,41	11205022	90	16	45	2,54	11305022	90	20	60	2,54
23	123,40	116,58	10115023	80	16	30	1,47	11205023	95	16	45	2,81	11305023	95	20	60	2,81
24	128,30	121,62	10115024	80	16	30	1,54	11205024	100	16	45	3,11	11305024	100	20	60	3,11
25	134,00	126,66	10115025	80	16	30	1,60	11205025	105	16	45	3,14	11305025	105	20	60	3,14
26	139,00	131,70	10115026	85	20	35	1,96						11305026	110	20	60	3,74
27	144,00	136,75	10115027	85	20	35	2,04						11305027	110	20	60	3,94
28	148,70	141,78	10115028	90	20	35	2,25						11305028	115	20	60	4,28
29	153,80	146,83	10115029	90	20	35	2,33										
30	158,80	151,87	10115030	90	20	35	2,41										
31	163,90	156,92	10115031	95	20	35	2,64										
32	168,90	161,95	10115032	95	20	35	2,73										
33	174,50	167,00	10115033	95	20	35	2,82										
34	179,00	172,05	10115034	95	20	35	2,92										
35	184,10	177,10	10115035	95	20	35	3,01										
36	189,10	182,15	10115036	100	20	35	3,27										
37	194,20	187,20	10115037	100	20	35	3,37										
38	199,20	192,24	10115038	100	20	35	3,47										
39	104,20	197,29	10115039	100	20	35	3,58										
40	209,30	202,34	10115040	100	20	35	3,69										

MATERIAL **C 45 UNI 7845**

Simple sprockets correspond to 5/8 pitch ISO sprockets

CAD drawings available on our site  
[www.chiaravalli.com](http://www.chiaravalli.com)

Quantity, availability and prices  
 on B2B Chiaravalli



CHAIN SPROCKETS ASA 50 pitch 5/8" x 3/8" for roller chains in compliance with DIN 8188 - ISO/R 606 - ANSI B 29.1



CHAIN SPROCKETS ASA 60 pitch 3/4" x 1/2" for roller chains in compliance with DIN 8188 - ISO/R 606 - ANSI B 29.1

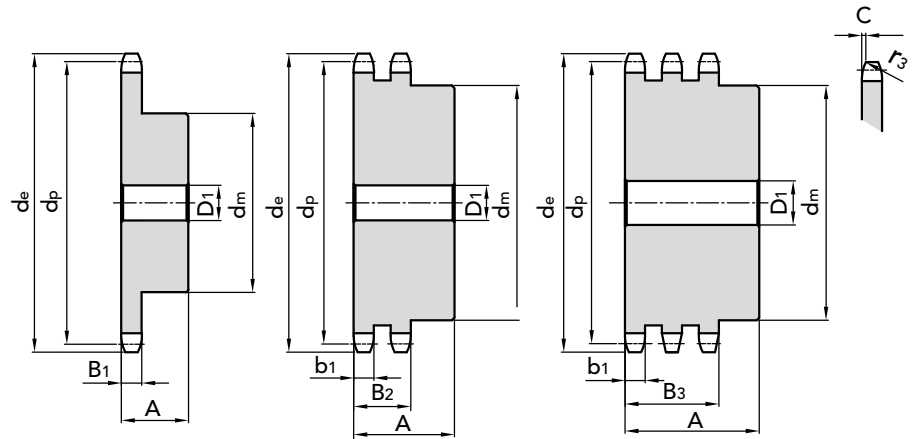
pitch 3/4" x 1/2"

**CHAIN SPROCKETS**

Tooth radius $r_3$	20	mm
Radius width $\check{C}$	2,4	mm
Sprockets tooth width $B_1$	12	mm
Sprockets tooth width $b_1$	11,8	mm
Sprockets tooth width $B_2$	34,6	mm
Sprockets tooth width $B_3$	57,4	mm

**CHAIN**

Pitch	19,05	mm
Inner width	12,7	mm
Roller $\varnothing$	11,91	mm



Z	$d_e$	$d_p$	SIMPLEX					DUPLEX				TRIPLEX					
			PART NUMBER	$d_m$	$D_1$	A	kg.	PART NUMBER	$d_m$	$D_1$	A	kg.	PART NUMBER	$d_m$	$D_1$	A	kg.
10	71,54	61,64	11106010	42	12	30	0,38	11206010	42	12	45	0,58	11306010	42	16	65	0,86
11	77,51	67,61	11106011	45	12	30	0,50	11206011	47	16	50	0,80					
12	83,49	73,61	11106012	45	12	30	0,64	11206012	53	16	50	1,01	11306012	53	20	70	1,47
13	89,49	79,59	11106013	60	14	35	0,80	11206013	59	16	50	1,24	11306013	59	20	70	1,78
14	95,50	85,61	11106014	60	14	35	0,97	11206014	65	16	50	1,45	11306014	65	20	70	2,16
15	101,52	91,63	11106015	60	14	35	1,16	11206015	71	16	50	1,73	11306015	71	20	70	2,52
16	107,54	97,65	11106016	75	16	35	1,34	11206016	77	20	50	2,03	11306016	77	20	70	2,93
17	113,56	103,67	11106017	75	16	35	1,53	11206017	83	20	50	2,35	11306017	83	20	70	3,44
18	119,59	109,71	11106018	75	16	35	1,61	11206018	89	20	50	2,70	11306018	89	20	70	3,91
19	125,63	115,75	11106019	80	16	35	1,70	11206019	95	20	50	3,06	11306019	95	20	70	4,43
20	131,67	121,78	11106020	80	16	35	1,84	11206020	100	20	50	3,45	11306020	100	20	70	4,96
21	137,71	127,82	11106021	80	16	35	2,35	11206021	100	20	50	3,69	11306021	100	20	70	5,41
22	143,75	133,86	11106022	90	20	40	2,45	11206022	100	20	50	3,96	11306022	100	20	70	59,7
23	149,79	139,90	11106023	90	20	40	2,56	11206023	110	20	50	4,50	11306023	110	20	70	6,64
24	155,84	145,94	11106024	90	20	40	2,67	11206024	110	20	50	4,81	11306024	110	20	70	7,21
25	161,88	152,00	11106025	90	20	40	2,79	11206025	120	20	50	5,40	11306025	120	20	70	7,97
26	167,93	158,04	11106026	90	20	40	3,08	11206026	120	20	50	5,73					
27	173,98	164,09	11106027	90	20	40	3,21	11206027	120	20	50	6,05					
28	180,03	170,13	11106028	95	20	40	3,34	11206028	120	20	50	6,43					
30	192,14	182,25	11106030	95	20	40	3,62	11206030	120	20	50	7,18					

MATERIAL C 45 UNI 7845

 CAD drawings available on our site  
[www.chiaravalli.com](http://www.chiaravalli.com)

 Quantity, availability and prices  
 on B2B Chiaravalli





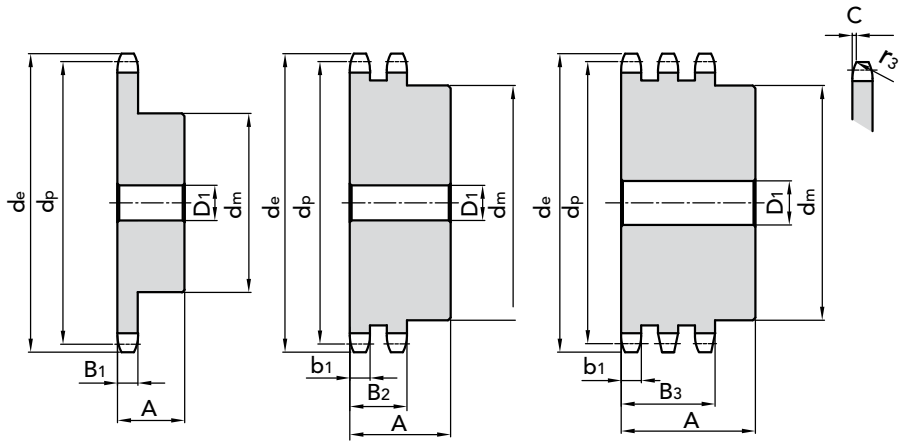

pitch 1" x 5/8"

### CHAIN SPROCKETS

Tooth radius $r_3$	27	mm
Radius width $\bar{C}$	3,2	mm
Sprockets tooth width $B_1$	15	mm
Sprockets tooth width $b_1$	14,7	mm
Sprockets tooth width $B_2$	44	mm
Sprockets tooth width $B_3$	73,3	mm

### CHAIN

Pitch	25,4	mm
Inner width	15,88	mm
Roller $\varnothing$	15,88	mm



#### SIMPLEX

#### DUPLEX

#### TRIPLEX

Z	d <sub>e</sub>	d <sub>p</sub>	PART NUMBER	d <sub>m</sub>	D <sub>1</sub>	A	kg.	PART NUMBER	d <sub>m</sub>	D <sub>1</sub>	A	kg.	PART NUMBER	d <sub>m</sub>	D <sub>1</sub>	A	kg.
8																	
9																	
10	95,32	82,79	11108010	55	16	35	0,82	11208010	56	20	65	1,52					
11	103,28	90,14	11108011	61	16	40	1,13										
12	111,26	98,14	11108012	69	16	40	1,42	11208012	72	20	70	2,60	11308012	72	25	100	3,62
13	119,26	106,12	11108013	78	16	40	1,77	11208013	78	20	70	3,22	11308013	78	25	100	4,45
14	127,27	114,15	11108014	84	16	40	2,07	11208014	86	20	70	3,82	11308014	86	25	100	5,37
15	135,29	122,17	11108015	92	16	40	2,46	11208015	94	20	70	4,51	11308015	94	25	100	6,37
16	143,32	130,20	11108016	100	20	45	3,13	11208016	102	20	70	5,17	11308016	102	30	100	7,45
17	151,35	138,22	11108017	100	20	45	3,34	11208017	110	20	70	5,97	11308017	110	30	100	8,60
18	159,39	146,28	11108018	100	20	45	3,55	11208018	118	20	70	6,84	11308018	118	30	100	9,84
19	167,44	154,33	11108019	100	20	45	3,78	11208019	126	20	70	7,75	11308019	126	30	100	11,16
20	175,49	162,38	11108020	100	20	45	4,02	11208020	130	20	70	8,43	11308020	130	30	100	12,36
21	183,54	170,43	11108021	110	20	50	5,01	11208021	130	25	70	9,24					
22	191,60	178,48	11108022	110	20	50	5,26										
23	199,66	186,53	11108023	110	20	50	5,56										
24	207,72	194,59	11108024	110	20	50	5,85										
25	215,78	202,66	11108025	110	20	50	6,16	11208025	130	25	70	12,52					
26	223,84	210,72	11108026	120	20	50	6,96										
27	231,91	218,79	11108027	120	20	50	7,29										
28	239,98	226,85	11108028	120	20	50	7,64										
29																	
30	256,12	243,00	11108030	120	20	50	7,96										

MATERIAL C 45 UNI 7845

CAD drawings available on our site  
[www.chiaravalli.com](http://www.chiaravalli.com)

Quantity, availability and prices  
 on B2B Chiaravalli



CHAIN SPROCKETS ASA 80 pitch 1" x 5/8" for roller chains in compliance with DIN 8188 - ISO/R 606 - ANSI B 29.1



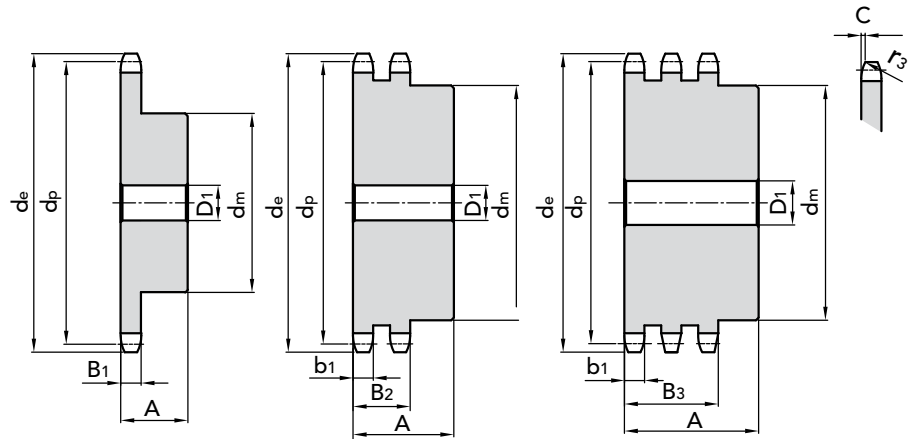
pitch 1" 1/4 x 3/4"

**CHAIN SPROCKETS**

Tooth radius $r_3$	33,5	mm
Radius width $\check{C}$	4	mm
Sprockets tooth width $B_1$	18	mm
Sprockets tooth width $b_1$	17,7	mm
Sprockets tooth width $B_2$	53,5	mm
Sprockets tooth width $B_3$	89,2	mm

**CHAIN**

Pitch	31,75	mm
Inner width	19,05	mm
Roller $\varnothing$	19,05	mm



Z	$d_e$	$d_p$	SIMPLEX				DUPLEX				TRIPLEX						
			PART NUMBER	$d_m$	$D_1$	A	kg.	PART NUMBER	$d_m$	$D_1$	A	kg.	PART NUMBER	$d_m$	$D_1$	A	kg.
8	98,10	82,96	11110008	53	20	40	0,85										
9	108,00	92,84	11110009	63	20	40	1,18										
10	117,90	102,74	11110010	70	20	40	1,57										
11	127,80	112,68	11110011	77	20	45	2,04	11210011	80	25	80	3,72					
12	137,80	122,68	11110012	88	20	45	2,58	11210012	90	20	80	4,66					
13	147,80	132,65	11110013	98	20	45	3,15	11210013	100	20	80	5,70					
14	157,80	142,68	11110014	108	20	45	3,78	11210014	110	20	80	6,84	11310014	110	30	115	9,71
15	167,90	152,72	11110015	118	20	45	4,47	11210015	120	20	80	8,08					
16	177,90	162,75	11110016	120	25	50	5,25	11210016	120	25	80	8,90					
17	187,90	172,78	11110017	120	25	50	5,61	11210017	120	25	80	9,92	11310017	420	30	115	14,60
18	198,00	182,85	11110018	120	25	50	5,99										
19	208,10	192,91	11110019	120	25	50	6,40										
20	218,10	202,95	11110020	120	25	50	6,82										
21	228,20	213,04	11110021	140	25	55	8,79										
22	238,30	223,11	11110022	140	25	55	9,27										
23	248,30	233,17	11110023	140	25	55	9,77										
24	258,40	243,23	11110024	140	25	55	10,30										
25	268,50	253,33	11110025	140	25	55	10,85										

MATERIAL C 45 UNI 7845

 CAD drawings available on our site  
[www.chiaravalli.com](http://www.chiaravalli.com)

 Quantity, availability and prices  
 on B2B Chiaravalli



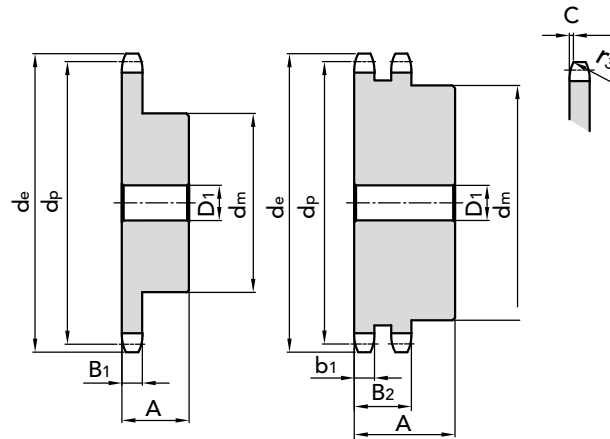

## pitch 1" 1/2 x 1"

### CHAIN SPROCKETS

Tooth radius $r_3$	40,5	mm
Radius width $\bar{C}$	4,8	mm
Sprockets tooth width $B_1$	24,1	mm
Sprockets tooth width $b_1$	23,6	mm
Sprockets tooth width $B_2$	69	mm

### CHAIN

Pitch	38,1	mm
Inner width	25,4	mm
Roller $\varnothing$	22,22	mm



### SIMPLEX

### DUPLEX

Z	$d_e$	$d_p$	PART NUMBER	$d_m$	$D_1$	A	kg.	PART NUMBER	$d_m$	$D_1$	A	kg.
8	119,04	99,55	11112008	58	20	45	2,05					
9	130,88	111,40	11112009	70	20	45	2,67					
10	142,77	123,29	11112010	80	20	45	3,45					
11	154,71	135,21	11112011	90	25	50	4,26	11212011	90	25	100	6,62
12	165,00	147,22	11112012	102	25	50	5,22	11212012	102	25	100	8,28
13	178,68	159,18	11112013	114	25	50	6,29	11212013	114	25	100	10,13
14	190,70	171,22	11112014	128	25	50	7,05	11212014	128	25	100	12,24
15	202,73	183,26	11112015	140	25	50	8,12	11212015	140	25	100	14,08
17												
18												
19	245,5	231,49	11112019	136	25	55	10,05					

MATERIAL C 45 UNI 7845

On demand we can manufacture ASA sprockets and pitches not shown on this catalogue.

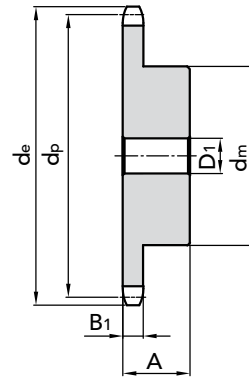
Quantity, availability and prices on B2B Chiaravalli



CHAIN SPROCKETS ASA 120 pitch 1"1/2 x 1" for roller chains in compliance with DIN 8188 - ISO/R 606 - ANSI B 29.1



MATERIAL **STAINLESS STEEL**  
**AISI 304 L**



PITCH	Z	de	PART NUMBER	dp	dm	D1	A	B <sub>1</sub>	Kg
3/8" x 7/32"	12	40,00	14109012	36,80	25,00	8,00	25,00	5,3	0,12
	13	43,00	14109013	39,79	28,00	10,00	25,00	5,3	0,13
	15	49,00	14109015	45,81	34,00	10,00	25,00	5,3	0,19
	16	52,30	14109016	48,82	37,00	10,00	28,00	5,3	0,24
	17	55,30	14109017	51,83	40,00	10,00	28,00	5,3	0,28
	18	58,30	14109018	54,85	43,00	10,00	28,00	5,3	0,33
	19	61,30	14109019	57,87	45,00	10,00	28,00	5,3	0,36
	20	64,30	14109020	60,89	46,00	10,00	28,00	5,3	0,39
	21	68,00	14109021	63,91	48,00	12,00	28,00	5,3	0,42
	23	73,50	14109023	69,65	52,00	12,00	28,00	5,3	0,50
1/2" x 5/16"	25	80,00	14109025	76,00	57,00	12,00	28,00	5,3	0,60
	30	94,70	14109030	91,12	60,00	12,00	30,00	5,3	0,72
	12	53,00	14112012	49,07	33,00	10,00	28,00	7,2	0,21
	13	57,90	14112013	53,06	37,00	10,00	28,00	7,2	0,26
	15	65,90	14112015	61,09	45,00	10,00	28,00	7,2	0,38
	16	69,90	14112016	65,10	50,00	12,00	28,00	7,2	0,46
	17	74,00	14112017	69,11	52,00	12,00	28,00	7,2	0,51
	18	78,00	14112018	73,14	56,00	12,00	28,00	7,2	0,59
	19	82,00	14112019	77,16	60,00	12,00	28,00	7,2	0,67
	20	86,00	14112020	81,19	64,00	12,00	28,00	7,2	0,76
5/8" x 3/8"	21	90,01	14112021	85,22	68,00	14,00	28,00	7,2	0,85
	23	98,01	14112023	93,27	70,00	14,00	28,00	7,2	0,94
	25	106,20	14112025	101,33	70,00	14,00	28,00	7,2	1,01
	30	126,30	14112030	121,50	80,00	16,00	30,00	7,2	1,46
	12	68,00	14115012	61,34	42,00	12,00	30,00	9,1	0,37
	13	73,00	14115013	66,32	47,00	12,00	30,00	9,1	0,46
	15	83,00	14115015	76,36	57,00	12,00	30,00	9,1	0,67
	16	88,00	14115016	81,37	60,00	12,00	30,00	9,1	0,76
	17	93,00	14115017	86,39	60,00	12,00	30,00	9,1	0,88
	18	98,30	14115018	91,42	70,00	12,00	30,00	9,1	1,01
19	103,30	14115019	96,45	70,00	14,00	30,00	9,1	1,15	
20	108,40	14115020	101,49	75,00	14,00	30,00	9,1	1,21	
21	113,40	14115021	106,52	80,00	16,00	30,00	9,1	1,35	
23	123,40	14115023	116,58	80,00	16,00	30,00	9,1	1,47	
25	134,00	14115025	126,66	80,00	16,00	30,00	9,1	1,60	
30	158,80	14115030	151,87	90,00	20,00	35,00	9,1	2,41	

MATERIAL **STAINLESS STEEL**  
**AISI 304 L**

CAD drawings available on our site  
[www.chiaravalli.com](http://www.chiaravalli.com)

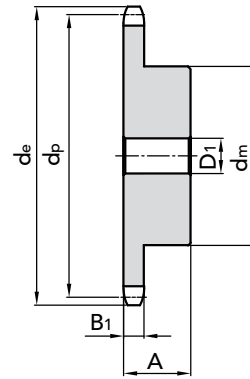
Quantity, availability and prices  
on B2B Chiaravalli





# STAINLESS STEEL CHAIN SPROCKETS

MATERIAL **STAINLESS STEEL**  
AISI 304 L



PITCH	Z	de	PART NUMBER	dp	dm	D1	A	B <sub>1</sub>	Kg
3/4" x 7/16"	12	81,50	14119012	73,61	52,00	14,00	35,00	11,1	0,65
	13	87,50	14119013	79,59	58,00	16,00	35,00	11,1	0,80
	15	99,80	14119015	91,63	70,00	16,00	35,00	11,1	1,16
	16	105,50	14119016	97,65	75,00	16,00	35,00	11,1	1,34
	17	111,50	14119017	103,67	80,00	16,00	35,00	11,1	1,53
	18	118,00	14119018	109,71	80,00	16,00	35,00	11,1	1,61
	19	124,20	14119019	115,75	80,00	16,00	35,00	11,1	1,70
	20	129,70	14119020	121,78	80,00	16,00	35,00	11,1	1,80
	21	136,00	14119021	127,82	90,00	20,00	40,00	11,1	2,35
	23	149,00	14119023	139,90	90,00	20,00	40,00	11,1	2,56
1" x 17,02	25	160,00	14119025	152,00	90,00	20,00	40,00	11,1	2,80
	30	189,78	14119030	182,25	95,00	20,00	40,00	11,1	2,63
	12	109,00	14125012	98,14	69,00	16,00	40,00	16,2	1,43
	13	117,00	14125013	106,12	78,00	16,00	40,00	16,2	1,77
	15	133,00	14125015	122,17	92,00	16,00	40,00	16,2	2,46
	16	141,00	14125016	130,20	100,00	19,00	45,00	16,2	3,14
	17	149,00	14125017	138,22	100,00	20,00	45,00	16,2	3,34
	18	157,00	14125018	146,28	100,00	20,00	45,00	16,2	3,56
	19	165,20	14125019	154,33	100,00	20,00	45,00	16,2	3,78
	20	173,50	14125020	162,38	100,00	20,00	45,00	16,2	4,03
	21	181,20	14125021	170,43	110,00	20,00	50,00	16,2	5,01
	23	197,50	14125023	182,25	110,00	20,00	50,00	16,2	5,56
	25	213,50	14125025	202,66	110,00	20,00	50,00	16,2	6,16
	30	254,00	14125030	243,00	120,00	20,00	55,00	16,2	8,38

MATERIAL **STAINLESS STEEL**  
AISI 304 L



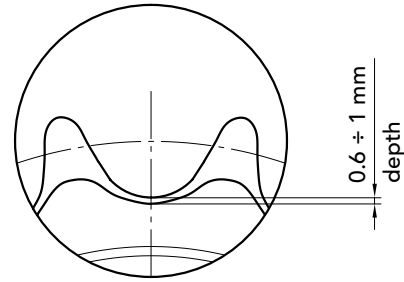
CAD drawings available on our site  
[www.chiaravalli.com](http://www.chiaravalli.com)

Quantity, availability and prices  
on B2B Chiaravalli

STAINLESS STEELCHAIN SPROCKETS for roller chains in compliance with DIN 8187 - ISO/R 606

# SIMPLEX CHAIN SPROCKETS HARDENED

## HRC 45 ÷ 53


**SIMPLEX CHAIN SPROCKETS HARDENED HRC 45 ÷ 53**
**MATERIAL C 45 UNI 7845**


PITCH	Z	de	PART NUMBER	dp	dm	D1	A	Kg
3/8" x 7/32"	13	43,00	15109013	39,79	28,00	10,00	25,00	0,13
	14	46,50	15109014	42,80	31,00	10,00	25,00	0,16
	15	49,30	15109015	45,81	34,00	10,00	25,00	0,18
	16	52,30	15109016	48,82	37,00	10,00	28,00	0,24
	17	55,30	15109017	51,83	40,00	10,00	28,00	0,28
	18	59,30	15109018	54,85	43,00	10,00	28,00	0,33
	19	61,30	15109019	57,87	45,00	10,00	28,00	0,36
	20	64,30	15109020	60,89	46,00	10,00	28,00	0,39
	21	68,00	15109021	63,91	48,00	12,00	28,00	0,42
	23	73,50	15109023	69,95	52,00	12,00	28,00	0,50
	25	80,00	15109025	76,00	57,00	12,00	28,00	0,60
1/2" x 5/16"	27	86,00	15109027	82,05	60,00	12,00	28,00	0,65
	30	94,70	15109030	91,12	60,00	12,00	30,00	0,72
	13	57,40	15112013	53,60	37,00	10,00	28,00	0,26
	14	61,80	15112014	57,07	41,00	10,00	28,00	0,32
	15	65,90	15112015	61,09	45,00	10,00	28,00	0,38
	16	69,90	15112016	65,10	50,00	12,00	28,00	0,46
	17	74,00	15112017	69,11	52,00	12,00	28,00	0,51
	18	78,00	15112018	73,14	56,00	12,00	28,00	0,59
	19	82,00	15112019	77,16	60,00	12,00	28,00	0,67
	20	86,00	15112020	81,19	64,00	12,00	28,00	0,76
	21	90,10	15112021	85,22	68,00	14,00	28,00	0,85
5/8" x 3/8"	23	98,10	15112023	93,27	70,00	14,00	28,00	0,91
	25	106,20	15112025	101,33	70,00	14,00	28,00	1,01
	27	114,00	15112027	109,40	70,00	16,00	30,00	1,26
	30	126,30	15112030	121,50	80,00	16,00	30,00	1,46
	13	73,00	15115013	66,32	47,00	12,00	30,00	0,46
	14	78,20	15115014	71,34	52,00	12,00	30,00	0,56
	15	83,00	15115015	76,36	57,00	12,00	30,00	0,67
	16	88,00	15115016	81,37	60,00	12,00	30,00	0,76
	17	93,00	15115017	86,39	60,00	12,00	30,00	0,88
	18	98,30	15115018	91,42	70,00	12,00	30,00	1,01
	19	103,30	15115019	96,45	70,00	14,00	30,00	1,15
20	108,40	15115020	101,49	75,00	14,00	30,00	1,21	
21	113,40	15115021	106,52	80,00	16,00	30,00	1,35	
23	123,40	15115023	116,58	80,00	16,00	30,00	1,47	
25	134,00	15115025	126,66	80,00	16,00	30,00	1,60	
27	143,50	15115027	136,74	80,00	16,00	30,00	2,00	
30	158,70	15115030	151,87	90,00	20,00	35,00	2,41	

**MATERIAL C 45 UNI 7845**

 CAD drawings available on our site  
[www.chiaravalli.com](http://www.chiaravalli.com)

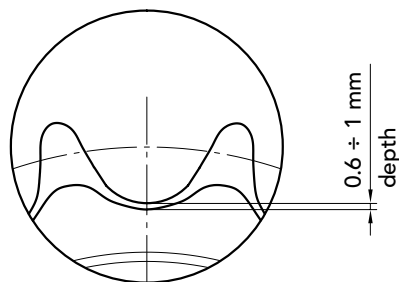
 Quantity, availability and prices  
 on B2B Chiaravalli



# SIMPLEX CHAIN SPROCKETS HARDENED

## HRC 45 ÷ 53

MATERIAL C 45 UNI 7845



PITCH	Z	de	PART NUMBER	dp	dm	D1	A	Kg
3/4" x 7/16"	13	87,50	15119013	79,59	58,00	14,00	35,00	0,80
	14	93,80	15119014	85,61	64,00	16,00	35,00	0,97
	15	99,80	15119015	91,63	70,00	16,00	35,00	1,16
	16	105,50	15119016	97,65	75,00	16,00	35,00	1,34
	17	111,50	15119017	103,67	80,00	16,00	35,00	1,53
	18	118,00	15119018	109,71	80,00	16,00	35,00	1,62
	19	124,20	15119019	115,75	80,00	16,00	35,00	1,70
	20	129,70	15119020	121,78	80,00	16,00	35,00	1,80
	21	136,00	15119021	127,82	90,00	20,00	40,00	2,35
	23	149,00	15119023	139,90	90,00	20,00	40,00	2,56
	25	160,00	15119025	152,00	90,00	20,00	40,00	2,80
1" x 17,02	27	171,60	15119027	164,09	90,00	20,00	40,00	3,10
	30	189,80	15119030	182,25	95,00	20,00	40,00	3,30
	13	117,00	15125013	106,12	78,00	16,00	40,00	1,77
	14	125,70	15125014	114,15	84,00	16,00	40,00	2,08
	15	133,00	15125015	122,17	92,00	16,00	40,00	2,46
	16	141,00	15125016	130,20	100,00	19,00	45,00	3,14
	17	149,00	15125017	138,22	100,00	20,00	45,00	3,34
	18	157,00	15125018	146,28	100,00	20,00	45,00	3,56
	19	165,20	15125019	154,33	100,00	20,00	45,00	3,78
	20	173,00	15125020	162,38	100,00	20,00	45,00	4,03
	21	181,20	15125021	170,43	110,00	20,00	50,00	5,14
23	197,60	15125023	186,54	110,00	20,00	50,00	5,56	
25	213,70	15125025	202,66	110,00	20,00	50,00	6,16	
27	229,60	15125027	218,79	110,00	20,00	50,00	7,00	
30	254,60	15125030	243,00	120,00	20,00	50,00	8,38	

MATERIAL C 45 UNI 7845

CAD drawings available on our site  
[www.chiaravalli.com](http://www.chiaravalli.com)

Quantity, availability and prices  
on B2B Chiaravalli



# SIMPLEX CHAIN SPROCKETS WITH HARDENED TEETH WITH HOLE + KEYWAY + SCREW HOLES



## 3/8" x 7/32" 06B-1

### CHAIN SPROCKETS

Sprockets tooth width  $B_1$  5,3 mm

### CHAIN

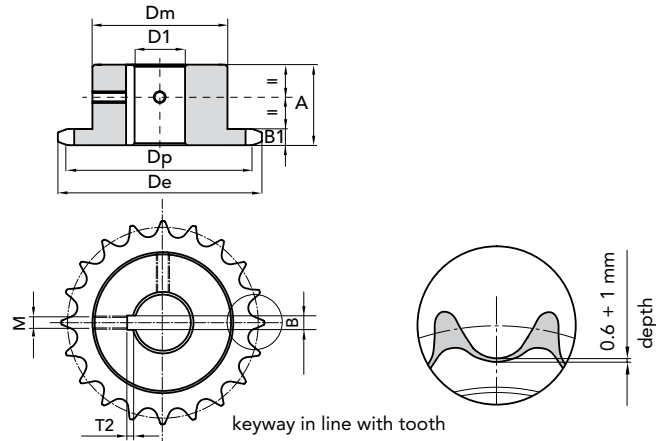
Pitch 9,525 mm

Inner width 5,72 mm

Roller  $\varnothing$  9,35 mm

**KEYWAY DIN 6885 UNI 6604**

Hardened teeth HRC 45±53



SIMPLEX CHAIN SPROCKETS 3/8"x7/32" 06B-1 for roller chains in compliance with DIN 8187 - ISO/R 606

Z	P. NUMBER	$d_e$	$d_p$	$d_m$	A	$\varnothing D1$ H7	B H9	T2	M	Z	P. NUMBER	$d_e$	$d_p$	$d_m$	A	$\varnothing D1$ H7	B H9	T2	M
12	16091212	40,45	36,8	25	25	12	4	1,8	M4	18	16091814	58,3	54,85	43	28	14	5	2,3	M4
	16091214			29		14	5	2,3	M4		16091815					15	5	2,3	M4
	16091215			30		15	5	2,3	M4		16091816					16	5	2,3	M4
	16091216			31		16	5	2,3	M4		16091818					18	6	2,8	M5
13	16091312	43,5	39,8	28	25	12	4	1,8	M4		16091819					19	6	2,8	M5
	16091314					14	5	2,3	M4		16091820					20	6	2,8	M5
	16091315					15	5	2,3	M4		16091822					22	6	2,8	M5
	16091316					16	5	2,3	M4		16091824					24	8	3,3	M6
	16091318					18	6	2,8	M5	19	16091915	61,6	57,87	45	28	15	5	2,3	M4
14	16091412	46,5	42,8	31	25	12	4	1,8	M4		16091916					16	5	2,3	M4
	16091414					14	5	2,3	M4		16091918					18	6	2,8	M5
	16091415					15	5	2,3	M4		16091919					19	6	2,8	M5
	16091416					16	5	2,3	M4		16091920					20	6	2,8	M5
	16091418					18	6	2,8	M5		16091922					22	6	2,8	M5
15	16091514	49,5	45,81	34	25	14	5	2,3	M4		16091924					24	8	3,3	M6
	16091515					15	5	2,3	M4		16091925					25	8	3,3	M6
	16091516					16	5	2,3	M4	20	16092015	64,3	60,89	46	28	15	5	2,3	M4
	16091518					18	6	2,8	M5		16092016					16	5	2,3	M4
	16091519					19	6	2,8	M5		16092018					18	6	2,8	M5
	16091520					20	6	2,8	M5		16092019					19	6	2,8	M5
	16091522					22	6	2,8	M5		16092020					20	6	2,8	M5
	16091524					24	8	3,3	M6		16092022					22	6	2,8	M5
16	16091614	52,3	48,82	37	28	14	5	2,3	M4		16092024					24	8	3,3	M6
	16091615					15	5	2,3	M4		16092025					25	8	3,3	M6
	16091616					16	5	2,3	M4		16092115	67,6	63,91	48	28	15	5	2,3	M4
	16091618					18	6	2,8	M5		16092116					16	5	2,3	M4
	16091619					19	6	2,8	M5		16092118					18	6	2,8	M5
	16091620					20	6	2,8	M5		16092119					19	6	2,8	M5
	16091622					22	6	2,8	M5		16092120					20	6	2,8	M5
	16091624					24	8	3,3	M6		16092122					22	6	2,8	M5
17	16091714	55,5	51,83	40	28	14	5	2,3	M4		16092124					24	8	3,3	M6
	16091715					15	5	2,3	M4		16092125					25	8	3,3	M6
	16091716					16	5	2,3	M4										
	16091718					18	6	2,8	M5										
	16091719					19	6	2,8	M5										
	16091720					20	6	2,8	M5										
	16091722					22	6	2,8	M5										
	16091724					24	8	3,3	M6										

MATERIAL **C 45 UNI 7845**

CAD drawings available on our site  
[www.chiaravalli.com](http://www.chiaravalli.com)

Quantity, availability and prices  
 on B2B Chiaravalli







# SIMPLEX CHAIN SPROCKETS WITH HARDENED TEETH WITH HOLE + KEYWAY + SCREW HOLES

3/8" x 7/32" 06B-1

## CHAIN SPROCKETS

Sprockets tooth width  $B_1$  5,3 mm

## CHAIN

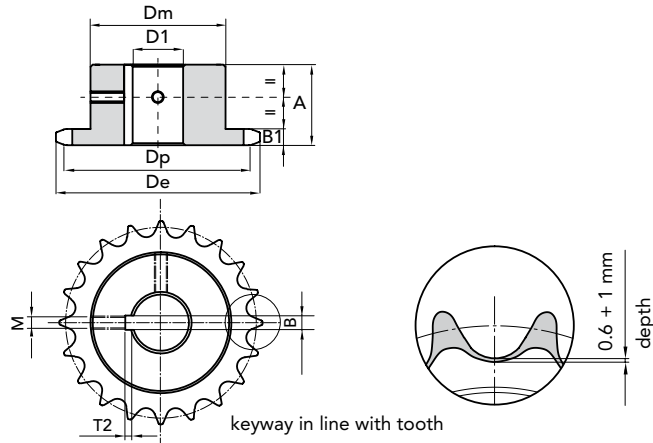
Pitch 9,525 mm

Inner width 5,72 mm

Roller  $\varnothing$  9,35 mm

**KEYWAY DIN 6885 UNI 6604**

Hardened teeth HRC 45÷53



Z	P. NUMBER	$d_e$	$d_p$	dm	A	$\varnothing D1 H7$	B H9	T2	M
23	16092315	73,7	69,95	52	28	15	5	2,3	M4
	16092316					16	5	2,3	M4
	16092318					18	6	2,8	M5
	16092319					19	6	2,8	M5
	16092320					20	6	2,8	M5
	16092322					22	6	2,8	M5
	16092324					24	8	3,3	M6
	16092325					25	8	3,3	M6
24	16092418	76,7	72,97	54	28	18	6	2,8	M5
	16092419					19	6	2,8	M5
	16092420					20	6	2,8	M5
	16092422					22	6	2,8	M5
	16092424					24	8	3,3	M6
	16092425					25	8	3,3	M6
	16092428					28	8	3,3	M6
	16092430					30	8	3,3	M6
25	16092518	79,7	76	57	28	18	6	2,8	M5
	16092519					19	6	2,8	M5
	16092520					20	6	2,8	M5
	16092522					22	6	2,8	M5
	16092524					24	8	3,3	M6
	16092525					25	8	3,3	M6
	16092528					28	8	3,3	M6
	16092530					30	8	3,3	M6
27	16092720	85,7	82,05	60	28	20	6	2,8	M5
	16092722					22	6	2,8	M5
	16092724					24	8	3,3	M6
	16092725					25	8	3,3	M6
	16092728					28	8	3,3	M6
	16092730					30	8	3,3	M6
30	16093020	94,8	91,12	60	30	20	6	2,8	M5
	16093022					22	6	2,8	M5
	16093024					24	8	3,3	M6
	16093025					25	8	3,3	M6
	16093028					28	8	3,3	M6
	16093030					30	8	3,3	M6

MATERIAL **C 45 UNI 7845**

CAD drawings available on our site  
[www.chiaravalli.com](http://www.chiaravalli.com)

Quantity, availability and prices  
 on B2B Chiaravalli



SIMPLEX CHAIN SPROCKETS 3/8" x 7/32" 06B-1 for roller chains in compliance with DIN 8187 - ISO/R 606

# SIMPLEX CHAIN SPROCKETS WITH HARDENED TEETH WITH HOLE + KEYWAY + SCREW HOLES



1/2" x 5/16" 08B-1

## CHAIN SPROCKETS

Sprockets tooth width  $B_1$  7,2 mm

## CHAIN

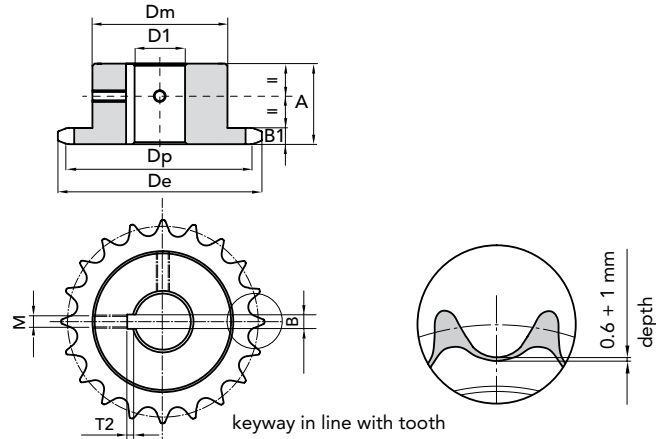
Pitch 12,7 mm

Inner width 7,75 mm

Roller  $\varnothing$  8,51 mm

**KEYWAY DIN 6885 UNI 6604**

Hardened teeth HRC 45÷53



SIMPLEX CHAIN SPROCKETS 1/2"x5/16" 08B-1 for roller chains in compliance with DIN 8187 - ISO/R

Z	P. NUMBER	$d_e$	$d_p$	$d_m$	A	$\varnothing D1$ H7	B H9	T2	M	ZP. NUMBER	$d_e$	$d_p$	$d_m$	A	$\varnothing D1$ H7	B H9	T2	M	
12	1612121 2	53,9	49,07	33	28	12	4	1,8	M4	16	16121615	69,5	65,1	50	28	15	5	2,3	M4
	16121214					14	5	2,3	M4		16121616					16	5	2,3	M4
	16121215					15	5	2,3	M4		16121618					18	6	2,8	M5
	16121216					16	5	2,3	M4		16121619					19	6	2,8	M5
	16121218					18	6	2,8	M5		16121620					20	6	2,8	M5
	16121219					19	6	2,8	M5		16121622					22	6	2,8	M5
	16121220					20	6	2,8	M5		16121624					24	8	3,3	M6
13	16121312	57,9	53,06	37	28	12	4	1,8	M4		16121625					25	8	3,3	M6
	16121314					14	5	2,3	M4		16121628					28	8	3,3	M6
	16121315					15	5	2,3	M4		16121630					30	8	3,3	M6
	16121316					16	5	2,3	M4	17	16121715	74	69,11	52	28	15	5	2,3	M4
	16121318					18	6	2,8	M5		16121716					16	5	2,3	M4
	16121319					19	6	2,8	M5		16121718					18	6	2,8	M5
	16121320					20	6	2,8	M5		16121719					19	6	2,8	M5
	16121322					22	6	2,8	M5		16121720					20	6	2,8	M5
	16121324					24	8	3,3	M6		16121722					22	6	2,8	M5
14	16121414	61,6	57,07	41	28	14	5	2,3	M4		16121724					24	8	3,3	M6
	16121415					15	5	2,3	M4		16121725					25	8	3,3	M6
	16121416					16	5	2,3	M4		16121728					28	8	3,3	M6
	16121418					18	6	2,8	M5		16121730					30	8	3,3	M6
	16121419					19	6	2,8	M5	18	16121816	77,8	73,14	56	28	16	5	2,3	M4
	16121420					20	6	2,8	M5		16121818					18	6	2,8	M5
	16121422					22	6	2,8	M5		16121819					19	6	2,8	M5
	16121424					24	8	3,3	M6		16121820					20	6	2,8	M5
	16121425					25	8	3,3	M6		16121822					22	6	2,8	M5
15	16121514	65,9	61,09	45	28	14	5	2,3	M4		16121824					24	8	3,3	M6
	16121515					15	5	2,3	M4		16121825					25	8	3,3	M6
	16121516					16	5	2,3	M4		16121828					28	8	3,3	M6
	16121518					18	6	2,8	M5		16121830					30	8	3,3	M6
	16121519					19	6	2,8	M5		16121832					32	10	3,3	M8
	16121520					20	6	2,8	M5		16121835					35	10	3,3	M8
	16121522					22	6	2,8	M5										
	16121524					24	8	3,3	M6										
	16121525					25	8	3,3	M6										
	16121528					28	8	3,3	M6										
	16121530					30	8	3,3	M6										

MATERIAL **C 45 UNI 7845**

CAD drawings available on our site  
[www.chiaravalli.com](http://www.chiaravalli.com)

Quantity, availability and prices  
 on B2B Chiaravalli





# SIMPLEX CHAIN SPROCKETS WITH HARDENED TEETH WITH HOLE + KEYWAY + SCREW HOLES

1/2" x 5/16" 08B-1

## CHAIN SPROCKETS

Sprockets tooth width  $B_1$  7,2 mm

## CHAIN

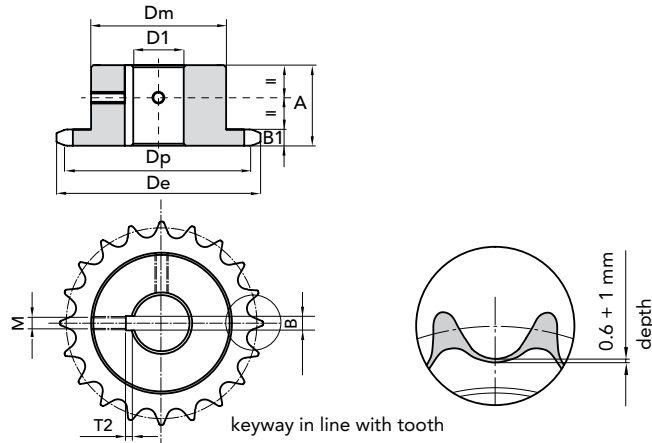
Pitch 12,7 mm

Inner width 7,75 mm

Roller  $\varnothing$  8,51 mm

**KEYWAY DIN 6885 UNI 6604**

Hardened teeth HRC 45÷53



Z	P. NUMBER	$d_e$	$d_p$	$d_m$	A	$\varnothing D1$ H7	B H9	T2	M
19	16121919	82	77,16	60	28	19	6	2,8	M5
	16121920					20	6	2,8	M5
	16121922					22	6	2,8	M5
	16121924					24	8	3,3	M6
	16121925					25	8	3,3	M6
	16121928					28	8	3,3	M6
	16121930					30	8	3,3	M6
	16121932					32	10	3,3	M8
	16121935					35	10	3,3	M8
20	16122019	85,8	81,19	64	28	19	6	2,8	M5
	16122020					20	6	2,8	M5
	16122022					22	6	2,8	M5
	16122024					24	8	3,3	M6
	16122025					25	8	3,3	M6
	16122028					28	8	3,3	M6
	16122030					30	8	3,3	M6
	16122032					32	10	3,3	M8
	16122035					35	10	3,3	M8
21	16122119	90,1	85,22	68	28	19	6	2,8	M5
	16122120					20	6	2,8	M5
	16122122					22	6	2,8	M5
	16122124					24	8	3,3	M6
	16122125					25	8	3,3	M6
	16122128					28	8	3,3	M6
	16122130					30	8	3,3	M6
	16122132					32	10	3,3	M8
	16122135					35	10	3,3	M8
23	16122320	98,1	93,27	70	28	20	6	2,8	M5
	16122322					22	6	2,8	M5
	16122324					24	8	3,3	M6
	16122325					25	8	3,3	M6
	16122328					28	8	3,3	M6
	16122330					30	8	3,3	M6
	16122332					32	10	3,3	M8
	16122335					35	10	3,3	M8
	16122338					38	10	3,3	M8

Z	P. NUMBER	$d_e$	$d_p$	$d_m$	A	$\varnothing D1$ H7	B H9	T2	M
24	16122420	102,1	97,29	70	28	20	6	2,8	M5
	16122422					22	6	2,8	M5
	16122424					24	8	3,3	M6
	16122425					25	8	3,3	M6
	16122428					28	8	3,3	M6
	16122430					30	8	3,3	M6
	16122432					32	8	3,3	M8
	16122435					35	10	3,3	M8
	16122438					38	10	3,3	M8
25	16122520	105,8	101,33	70	28	20	6	2,8	M5
	16122522					22	6	2,8	M5
	16122524					24	8	3,3	M6
	16122525					25	8	3,3	M6
	16122528					28	8	3,3	M6
	16122530					30	8	3,3	M6
	16122532					32	10	3,3	M8
	16122535					35	10	3,3	M8
	16122538					38	10	3,3	M8
27	16122722	114	109,4	70	30	22	6	2,8	M5
	16122725					25	8	3,3	M6
	16122728					28	8	3,3	M6
	16122730					30	8	3,3	M6
	16122732					32	10	3,3	M8
	16122735					35	10	3,3	M8
	16122738					38	10	3,3	M8
30	16123025	126	121,5	80	30	25	8	3,3	M6
	16123028					28	8	3,3	M6
	16123030					30	8	3,3	M6
	16123032					32	10	3,3	M8
	16123035					35	10	3,3	M8
	16123038					38	10	3,3	M8

MATERIAL C 45 UNI 7845

CAD drawings available on our site  
[www.chiaravalli.com](http://www.chiaravalli.com)

Quantity, availability and prices  
with B2B Chiaravalli



SIMPLEX CHAIN SPROCKETS 1/2"x5/16" 08B-1 for roller chains in compliance with DIN 8187 - ISO/R

# SIMPLEX CHAIN SPROCKETS WITH HARDENED TEETH WITH HOLE + KEYWAY + SCREW HOLES



## 5/8" x 3/8" 10B-1

### CHAIN SPROCKETS

Sprockets tooth width  $B_1$  9,1 mm

### CHAIN

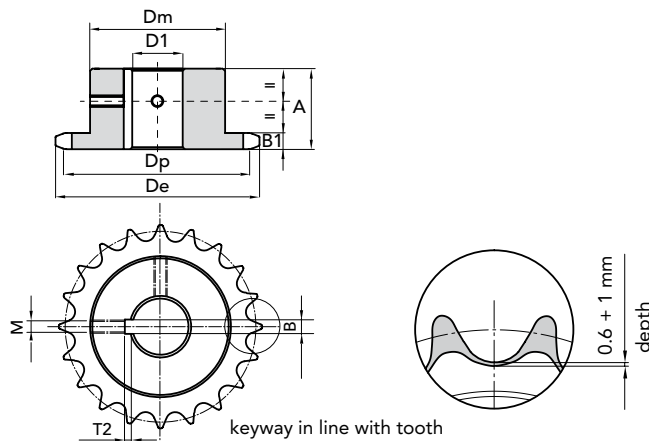
Pitch 15,875 mm

Inner width 9,65 mm

Roller  $\varnothing$  10,16 mm

### KEYWAY DIN 6885 UNI 6604

Hardened teeth HRC 45÷53



SIMPLEX CHAIN SPROCKETS 5/8"x3/8" 10B-1 for roller chains in compliance with DIN 8187 - ISO/R 606

Z	P. NUMBER	$d_e$	$d_p$	$d_m$	A	$\varnothing D1$ H7	B H9	T2	M	Z	P. NUMBER	$d_e$	$d_p$	$d_m$	A	$\varnothing D1$ H7	B H9	T2	M
12	16151216	68,2	61,34	42	30	16	5	2,3	M4	16	16151620	88	81,37	60	30	20	6	2,8	M5
	16151219					19	6	2,8	M5		16151622					22	6	2,8	M5
	16151220					20	6	2,8	M5		16151624					24	8	3,3	M6
	16151222					22	6	2,8	M5		16151625					25	8	3,3	M6
	16151224					24	8	3,3	M6		16151628					28	8	3,3	M6
	16151225					25	8	3,3	M6		16151630					30	8	3,3	M6
	16151228			51		28	8	3,3	M6		16151632					32	10	3,3	M8
	16151230			51		30	8	3,3	M6		16151635					35	10	3,3	M8
13	16151316	73,2	66,32	47	30	16	5	2,3	M4	17	16151720	93,2	86,39	60	30	20	6	2,8	M5
	16151319					19	6	2,8	M5		16151722					22	6	2,8	M5
	16151320					20	6	2,8	M5		16151724					24	8	3,3	M6
	16151322					22	6	2,8	M5		16151725					25	8	3,3	M6
	16151324					24	8	3,3	M6		16151728					28	8	3,3	M6
	16151325					25	8	3,3	M6		16151730					30	8	3,3	M6
	16151328					28	8	3,3	M6		16151732					32	10	3,3	M8
	16151330					30	8	3,3	M6		16151735					35	10	3,3	M8
14	16151416	78,2	71,34	52	30	16	5	2,3	M4	18	16151820	98,3	91,42	70	30	20	6	2,8	M5
	16151419					19	6	2,8	M5		16151822					22	6	2,8	M5
	16151420					20	6	2,8	M5		16151824					24	8	3,3	M6
	16151422					22	6	2,8	M5		16151825					25	8	3,3	M6
	16151424					24	8	3,3	M6		16151828					28	8	3,3	M6
	16151425					25	8	3,3	M6		16151830					30	8	3,3	M6
	16151428					28	8	3,3	M6		16151832					32	10	3,3	M8
	16151430					30	8	3,3	M6		16151835					35	10	3,3	M8
15	16151519	83,2	76,36	57	30	19	6	2,8	M5		16151838					38	10	3,3	M8
	16151520					20	6	2,8	M5		16151840					40	12	3,3	M10
	16151522					22	6	2,8	M5	19	16151920	103,3	96,45	70	30	20	6	2,8	M5
	16151524					24	8	3,3	M6		16151922					22	6	2,8	M5
	16151525					25	8	3,3	M6		16151924					24	8	3,3	M6
	16151528					28	8	3,3	M6		16151925					25	8	3,3	M6
	16151530					30	8	3,3	M6		16151928					28	8	3,3	M6
	16151532					32	10	3,3	M8		16151930					30	8	3,3	M6
	16151535					35	10	3,3	M8		16151932					32	10	3,3	M8
											16151935					35	10	3,3	M8
											16151938					38	10	3,3	M8
											16151940					40	12	3,3	M10

MATERIAL **C 45 UNI 7845**

CAD drawings available on our site  
[www.chiaravalli.com](http://www.chiaravalli.com)

Quantity, availability and prices  
 on B2B Chiaravalli





# SIMPLEX CHAIN SPROCKETS WITH HARDENED TEETH WITH HOLE + KEYWAY + SCREW HOLES

5/8" x 3/8" 10B-1

**CHAIN SPROCKETS**

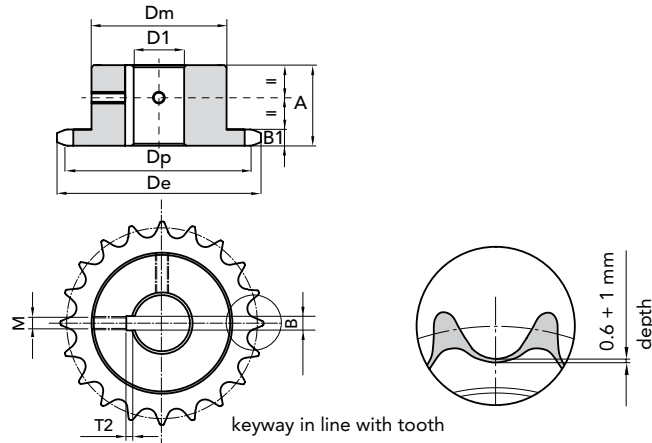
Sprockets tooth width  $B_1$  9,1 mm

**CHAIN**

Pitch 15,875 mm  
 Inner width 9,65 mm  
 Roller  $\varnothing$  10,16 mm

**KEYWAY DIN 6885 UNI 6604**

Hardened teeth HRC 45÷53



Z	P. NUMBER	$d_e$	$d_p$	$d_m$	A	$\varnothing D1$ H7	B H9	T2	M
20	16152020	108,4	101,49	75	30	20	6	2,8	M5
	16152022					22	6	2,8	M5
	16152024					24	8	3,3	M6
	16152025					25	8	3,3	M6
	16152028					28	8	3,3	M6
	16152030					30	8	3,3	M6
	16152032					32	10	3,3	M8
	16152035					35	10	3,3	M8
	16152038					38	10	3,3	M8
	16152040					40	12	3,3	M10
21	16152120	113,4	106,52	75	30	20	6	2,8	M5
	16152122					22	6	2,8	M5
	16152124					24	8	3,3	M6
	16152125					25	8	3,3	M6
	16152128					28	8	3,3	M6
	16152130					30	8	3,3	M6
	16152132					32	10	3,3	M8
	16152135					35	10	3,3	M8
	16152138					38	10	3,3	M8
	16152140					40	12	3,3	M10
23	16152320	123,4	116,58	80	30	20	6	2,8	M5
	16152322					22	6	2,8	M5
	16152324					24	8	3,3	M6
	16152325					25	8	3,3	M6
	16152328					28	8	3,3	M6
	16152330					30	8	3,3	M6
	16152332					32	10	3,3	M8
	16152335					35	10	3,3	M8
	16152338					38	10	3,3	M8
	16152340					40	12	3,3	M10
	16152342					42	12	3,3	M10

Z	P. NUMBER	$d_e$	$d_p$	$d_m$	A	$\varnothing D1$ H7	B H9	T2	M
24	16152420	128,5	121,62	80	30	20	6	2,8	M5
	16152422					22	6	2,8	M5
	16152424					24	8	3,3	M6
	16152425					25	8	3,3	M6
	16152428					28	8	3,3	M6
	16152430					30	8	3,3	M6
	16152432					32	10	3,3	M8
	16152435					35	10	3,3	M8
	16152438					38	10	3,3	M8
	16152440					40	12	3,3	M10
	16152442					42	12	3,3	M10
25	16152522	133,5	126,66	80	30	22	6	2,8	M5
	16152524					24	8	3,3	M6
	16152525					25	8	3,3	M6
	16152528					28	8	3,3	M6
	16152530					30	8	3,3	M6
	16152532					32	10	3,3	M8
	16152535					35	10	3,3	M8
	16152538					38	10	3,3	M8
	16152540					40	12	3,3	M10
	16152542					42	12	3,3	M10

SIMPLEX CHAIN SPROCKETS 5/8"x3/8" 10B-1 for roller chains in compliance with DIN 8187 - ISO/R 606

MATERIAL C 45 UNI 7845

CAD drawings available on our site [www.chiaravalli.com](http://www.chiaravalli.com)

Quantity, availability and prices on B2B Chiaravalli



# SIMPLEX CHAIN SPROCKETS WITH HARDENED TEETH WITH HOLE + KEYWAY + SCREW HOLES



SIMPLEX CHAIN SPROCKETS 3/4"x7/16" 12B-1 for roller chains in compliance with DIN 8187 - ISO/R

**3/4" x 7/16" 12B-1**

**CHAIN SPROCKETS**

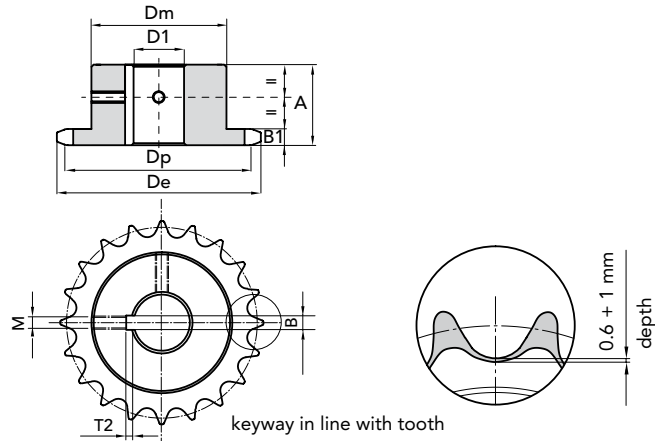
Sprockets tooth width  $B_1$  11,1 mm

**CHAIN**

Pitch 19,05 mm  
 Inner width 11,68 mm  
 Roller  $\varnothing$  12,07 mm

**KEYWAY DIN 6885 UNI 6604**

Hardened teeth HRC 45÷53



Z	P. NUMBER	$d_e$	$d_p$	$d_m$	A	$\varnothing D1$ H7	B H9	T2	M	Z	P. NUMBER	$d_e$	$d_p$	$d_m$	A	$\varnothing D1$ H7	B H9	T2	M
12	16191220	81,8	73,6	52	35	20	6	2,8	M5	16	16191620	105,5	97,65	75	35	20	6	2,8	M5
	16191222					22	6	2,8	M5		16191622					22	6	2,8	M5
	16191224					24	8	3,3	M6		16191624	ON DEMAND				24	8	3,3	M6
	16191225					25	8	3,3	M6		16191625					25	8	3,3	M6
	16191228					28	8	3,3	M6		16191628					28	8	3,3	M6
	16191230					30	8	3,3	M6		16191630					30	8	3,3	M6
13	16191320	87,1	79,6	58	35	20	6	2,8	M5		16191632					32	10	3,3	M8
	16191322					22	6	2,8	M5		16191635					35	10	3,3	M8
	16191324					24	8	3,3	M6		16191638					38	10	3,3	M8
	16191325					25	8	3,3	M6		16191640					40	12	3,3	M10
	16191328					28	8	3,3	M6	17	16191722	111,2	103,67	80	35	22	6	2,8	M5
	16191330					30	8	3,3	M6		16191725					25	8	3,3	M6
	16191332					32	10	3,3	M8		16191728					28	8	3,3	M6
	16191335					35	10	3,3	M8		16191730					30	8	3,3	M6
14	16191420	93,8	85,61	64	35	20	6	2,8	M5		16191732					32	10	3,3	M8
	16191422					22	6	2,8	M5		16191735					35	10	3,3	M8
	16191424					24	8	3,3	M6		16191738					38	10	3,3	M8
	16191425					25	8	3,3	M6		16191740					40	12	3,3	M10
	16191428					28	8	3,3	M6	18	16191822	118	109,71	80	35	22	6	2,8	M5
	16191430					30	8	3,3	M6		16191825					25	8	3,3	M6
	16191432					32	10	3,3	M8		16191828					28	8	3,3	M6
	16191435					35	10	3,3	M8		16191830					30	8	3,3	M6
15	16191520	99,2	91,63	70	35	20	6	2,8	M5		16191832					32	10	3,3	M8
	16191522					22	6	2,8	M5		16191835					35	10	3,3	M8
	16191524					24	8	3,3	M6		16191838					38	10	3,3	M8
	16191525					25	8	3,3	M6		16191840					40	12	3,3	M10
	16191528					28	8	3,3	M6	19	16191925	123,3	115,75	80	35	25	8	3,3	M6
	16191530					30	8	3,3	M6		16191928					28	8	3,3	M6
	16191532					32	10	3,3	M8		16191930					30	8	3,3	M6
	16191535					35	10	3,3	M8		16191932					32	10	3,3	M8
	16191538					38	10	3,3	M8		16191935					35	10	3,3	M8
	16191540					40	12	3,3	M10		16191938					38	10	3,3	M8
											16191940					40	12	3,3	M10
											16191942					42	12	3,3	M10
											16191945					45	14	3,8	M12

MATERIAL **C 45 UNI 7845**

CAD drawings available on our site  
[www.chiaravalli.com](http://www.chiaravalli.com)

Quantity, availability and prices  
 on B2B Chiaravalli





# SIMPLEX CHAIN SPROCKETS WITH HARDENED TEETH WITH HOLE + KEYWAY + SCREW HOLES

**3/4" x 7/16" 12B-1**

**CHAIN SPROCKETS**

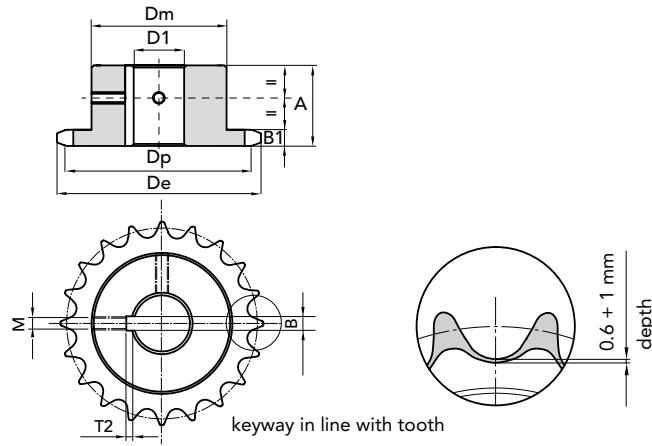
Sprockets tooth width  $B_1$  11,1 mm

**CHAIN**

Pitch 19,05 mm  
 Inner width 11,68 mm  
 Roller  $\varnothing$  12,07 mm

**KEYWAY DIN 6885 UNI 6604**

Hardened teeth HRC 45÷53



Z	P. NUMBER	$d_e$	$d_p$	$d_m$	A	$\varnothing D1$ H7	B H9	T2	M
20	16192025	129,7	121,78	80	35	25	8	3,3	M6
	16192028					28	8	3,3	M6
	16192030					30	8	3,3	M6
	16192032					32	10	3,3	M8
	16192035					35	10	3,3	M8
	161920a38					38	10	3,3	M8
	16192040					40	12	3,3	M10
	16192042					42	12	3,3	M10
	16192045					45	14	3,8	M12
21	16192128	135,4	127,82	90	40	28	8	3,3	M6
	16192130					30	8	3,3	M6
	16192132					32	10	3,3	M8
	16192135					35	10	3,3	M8
	16192138					38	10	3,3	M8
	16192140					40	12	3,3	M10
	16192142					42	12	3,3	M10
	16192145					45	14	3,8	M12
	16192148					48	14	3,8	M12
	16192150					50	14	3,8	M12
23	16192328	147,4	139,9	90	40	28	8	3,3	M6
	16192330					30	8	3,3	M6
	16192332					32	10	3,3	M8
	16192335					35	10	3,3	M8
	16192338					38	10	3,3	M8
	16192340					40	12	3,3	M10
	16192342					42	12	3,3	M10
	16192345					45	14	3,8	M12
	16192348					48	14	3,8	M12
	16192350					50	14	3,8	M12

Z	P. NUMBER	$d_e$	$d_p$	$d_m$	A	$\varnothing D1$ H7	B H9	T2	M
24	16192428	154,1	145,94	90	40	28	8	3,3	M6
	16192430					30	8	3,3	M6
	16192432					32	10	3,3	M8
	16192435					35	10	3,3	M8
	16192438					38	10	3,3	M8
	16192440					40	12	3,3	M10
	16192442					42	12	3,3	M10
	16192445					45	14	3,8	M12
	16192448					48	14	3,8	M12
	16192450					50	14	3,8	M12
25	16192528	159,5	152	90	40	28	8	3,3	M6
	16192530					30	8	3,3	M6
	16192532					32	10	3,3	M8
	16192535					35	10	3,3	M8
	16192538					38	10	3,3	M8
	16192540					40	12	3,3	M10
	16192542					42	12	3,3	M10
	16192545					45	14	3,8	M12
	16192548					48	14	3,8	M12
	16192550					50	14	3,8	M12

SIMPLEX CHAIN SPROCKETS 3/4"x7/16" 12B-1 for roller chains in compliance with DIN 8187 - ISO/R

MATERIAL **C 45 UNI 7845**

CAD drawings available on our site  
[www.chiaravalli.com](http://www.chiaravalli.com)

Quantity, availability and prices  
 on B2B Chiaravalli



# SIMPLEX CHAIN SPROCKETS WITH HARDENED TEETH WITH HOLE + KEYWAY + SCREW HOLES



## 1" x 17.02 16B-1

### CHAIN SPROCKETS

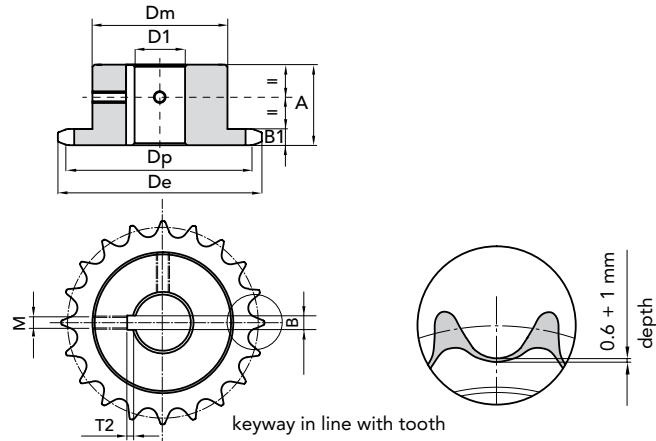
Sprockets tooth width  $B_1$  16,2 mm

### CHAIN

Pitch 25,4 mm  
Inner width 17,02 mm  
Roller  $\varnothing$  15,88 mm

### KEYWAY DIN 6885 UNI 6604

Hardened teeth HRC 45÷53



SIMPLEX CHAIN SPROCKETS 1" x 17.02 16B-1 for roller chains in compliance with DIN 8187 - ISO/R 606

Z	P. NUMBER	$d_e$	$d_p$	dm	A	$\varnothing D1$ H7	B H9	T2	M	Z	P. NUMBER	$d_e$	$d_p$	dm	A	$\varnothing D1$ H7	B H9	T2	M
12	16251225	109,71	98,14	69	40	25	8	3,3	M6	16	16251630	141	130,2	100	45	30	8	3,3	M6
	16251228					28	8	3,3	M6		16251632					32	10	3,3	M8
	16251230					30	8	3,3	M6		16251635					35	10	3,3	M8
	16251232					32	10	3,3	M8		16251638					38	10	3,3	M8
	16251235					35	10	3,3	M8		16251640					40	12	3,3	M10
	16251238					38	10	3,3	M8		16251642					42	12	3,3	M10
	16251240					40	12	3,3	M10		16251645					45	14	3,8	M12
13	16251325	117,2	106,14	78	40	25	8	3,3	M6		16251648					48	14	3,8	M12
	16251328					28	8	3,3	M6		16251650					50	14	3,8	M12
	16251330					30	8	3,3	M6	17	16251730	149,4	138,22	100	45	30	8	3,3	M6
	16251332					32	10	3,3	M8		16251732					32	10	3,3	M8
	16251335					35	10	3,3	M8		16251735					35	10	3,3	M8
	16251338					38	10	3,3	M8		16251738					38	10	3,3	M8
	16251340					40	12	3,3	M10		16251740					40	12	3,3	M10
	16251342					42	12	3,3	M10		16251742					42	12	3,3	M10
	16251345					45	14	3,8	M12		16251745					45	14	3,8	M12
14	16251425	125,7	114,15	84	40	25	8	3,3	M6		16251748					48	14	3,8	M12
	16251428					28	8	3,3	M6		16251750					50	14	3,8	M12
	16251430					30	8	3,3	M6	18	16251830	157	146,28	100	45	30	8	3,3	M6
	16251432					32	10	3,3	M8		16251832					32	10	3,3	M8
	16251435					35	10	3,3	M8		16251835					35	10	3,3	M8
	16251438					38	10	3,3	M8		16251838					38	10	3,3	M8
	16251440					40	12	3,3	M10		16251840					40	12	3,3	M10
	16251442					42	12	3,3	M10		16251842					42	12	3,3	M10
	16251445					45	14	3,8	M12		16251845					45	14	3,8	M12
	16251448					48	14	3,8	M12		16251848					45	14	3,8	M12
	16251450					50	14	3,8	M12		16251850					50	14	3,8	M12
15	16251528	133,3	122,17	92	40	28	8	3,3	M6	19	16251930	165,5	154,33	100	45	30	8	3,3	M6
	16251530					30	8	3,3	M6		16251932					32	10	3,3	M8
	16251532					32	10	3,3	M8		16251935					35	10	3,3	M8
	16251535					35	10	3,3	M8		16251938					38	10	3,3	M8
	16251538					38	10	3,3	M8		16251940					40	12	3,3	M10
	16251540					40	12	3,3	M10		16251942					45	12	3,3	M10
	16251542					42	12	3,3	M10		16251945					45	14	3,8	M12
	16251545					45	14	3,8	M12		16251948					48	14	3,8	M12
	16251548					48	14	3,8	M12		16251950					50	14	3,8	M12
	16251550					50	14	3,8	M12										

MATERIAL **C 45 UNI 7845**

CAD drawings available on our site  
[www.chiaravalli.com](http://www.chiaravalli.com)

Quantity, availability and prices  
on B2B Chiaravalli







# SIMPLEX CHAIN SPROCKETS WITH HARDENED TEETH WITH HOLE + KEYWAY + SCREW HOLES

1" x 17.02 16B-1

## CHAIN SPROCKETS

Sprockets tooth width  $B_1$  16,2 mm

## CHAIN

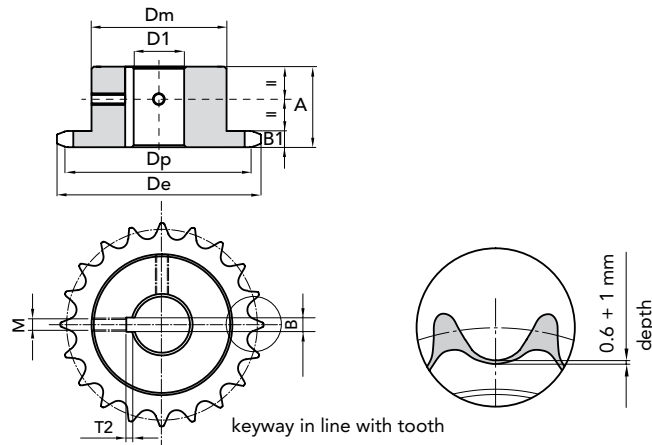
Pitch 25,4 mm

Inner width 17,02 mm

Roller  $\varnothing$  15,88 mm

## KEYWAY DIN 6885 UNI 6604

Hardened teeth HRC 45÷53



Z	P. NUMBER	$d_e$	$d_p$	$d_m$	A	$\varnothing D1$ H7	B H9	T2	M
20	16252030	173,2	162,38	100	45	30	8	3,3	M6
	16252032					32	10	3,3	M8
	16252035					35	10	3,3	M8
	16252038					38	10	3,3	M8
	16252040					40	12	3,3	M10
	16252042					42	12	3,3	M10
	16252045					45	14	3,8	M12
	16252048					48	14	3,8	M12
	16252050					50	14	3,8	M12
21	16252130	181,6	170,43	110	50	30	8	3,3	M6
	16252132					32	10	3,3	M8
	16252135					35	10	3,3	M8
	16252138					38	10	3,3	M8
	16252140					40	12	3,3	M10
	16252142					42	12	3,3	M10
	16252145					45	14	3,8	M12
	16252148					48	14	3,8	M12
	16252150					50	14	3,8	M12
23	16252330	198,1	186,1	110	50	30	8	3,3	M6
	16252332					32	10	3,3	M8
	16252335					35	10	3,3	M8
	16252338					38	10	3,3	M8
	16252340					40	12	3,3	M10
	16252342					42	12	3,3	M10
	16252345					45	14	3,8	M12
	16252348					48	14	3,8	M12
	16252350					50	14	3,8	M12
25	16252530	214,2	202,66	110	50	30	8	3,3	M6
	16252532					32	10	3,3	M8
	16252535					35	10	3,3	M8
	16252538					38	10	3,3	M8
	16252540					40	12	3,3	M10
	16252542					42	12	3,3	M10
	16252545					45	14	3,8	M12
	16252548					48	14	3,8	M12
	16252550					50	14	3,8	M12

MATERIAL C 45 UNI 7845

CAD drawings available on our site  
[www.chiaravalli.com](http://www.chiaravalli.com)

Quantity, availability and prices  
 on B2B Chiaravalli



# TAPER LOCK® CHAIN SPROCKETS



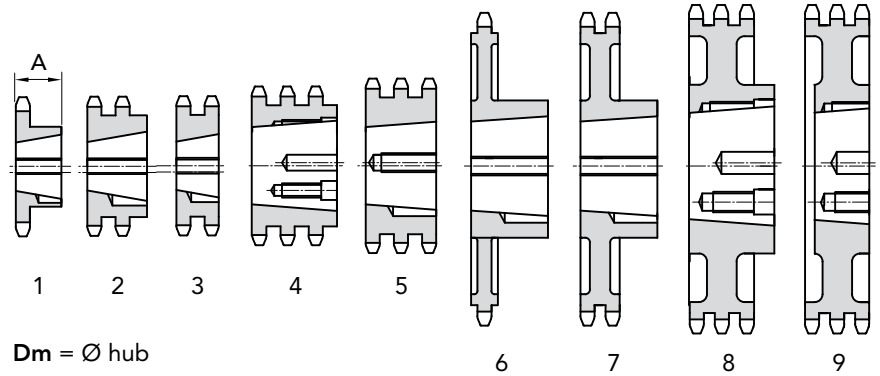
TAPER LOCK® CHAIN SPROCKETS

MATERIAL **STEEL**  
C 45 UNI 5007

AVAILABLE ALSO  
WITH INDUCTION  
HARDENED TEETH

MATERIAL **IN CAST IRON**  
GG20 UNI 5007

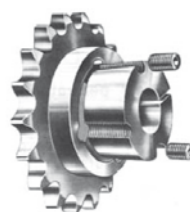
Hardened teeth HRC 45÷53



### SIMPLEX

### DUPLEX

PITCH	STEEL HARDENED		COD. PITCH	Z	for	Exec.	Dm	A	Kg	COD. PITCH		Z	for	Exec.	Dm	A	Kg
	P. NUMBER	P. NUMBER								P. NUMBER	P. NUMBER						
3/8" 9,52 mm	17109017	18109017	031-17	17	1008	1	44,5	22	0,11	17209017	032-17	17	1008	2	42,5	22	0,11
	17109018	-	031-18	18	1008	1	43	22	0,14	17209018	032-18	18	1008	2	43	22	0,15
	17109019	18109019	031-19	19	1008	1	46	22	0,15	17209019	032-19	19	1008	2	46	22	0,18
	17109020	-	031-20	20	1008	1	46	22	0,16	17209020	032-20	20	1008	2	48	22	0,22
	17109021	18109021	031-21	21	1008	1	46	22	0,18	17209021	032-21	21	1008	2	49	22	0,16
	17109022	-	031-22	22	1108	1	50	22	0,25	17209022	032-22	22	1108	2	52	22	0,28
	17109023	18109023	031-23	23	1210	1	62	25	0,27	17209023	032-23	23	1210	2	58	25	0,27
	17109024	-	031-24	24	1210	1	62	25	0,30	17209024	032-24	24	1210	2	61	25	0,32
	17109025	18109025	031-25	25	1210	1	63	25	0,32	17209025	032-25	25	1210	2	64	25	0,37
	17109026	-	031-26	26	1210	1	60	25	0,33	17209026	032-26	26	1210	2	65	25	0,44
	17109027	18109027	031-27	27	1210	1	60	25	0,34	17209027	032-27	27	1210	2	65	25	0,50
	17109028	-	031-28	28	1210	1	60	25	0,37	17209028	032-28	28	1210	2	65	25	0,57
	17109030	18109030	031-30	30	1210	1	63	25	0,39	17209030	032-30	30	1210	2	65	25	0,68
	17109038	-	031-38	38	1210	1	73	25	0,65	17209038	032-38	38	1610	2	76	25	1,03
	17109045	-	031-45	45	1210	1	73	25	1,01	17209045	032-45	45	1610	2	89	25	1,08
	17109057	-	031-57	57	1210	6	83	25	1,34	17209057	032-57	57	1610	7	89	25	1,16
	17109076	-	031-76	76	1210	6	83	25	1,84	17209076	032-76	76	1610	7	89	25	2,19
	17109095	-	031-95	95	1210	6	83	25	2,30	17209095	032-95	95	1610	7	89	25	3,00
	17109114	-	031-114	114	1215	6	83	38	3,50	17209114	032-114	114	1615	7	89	38	5,00
	1/2" 12,70 mm	17112015	18112015	041-15	15	1008	1	46	22	0,16	17212015	042-15	15	1008	2	46	22
17112016		-	041-16	16	1108	1	50	22	0,20	17212016	042-16	16	1108	2	50	22	0,22
17112017		18112017	041-17	17	1210	1	59,5	25	0,22	17212017	042-17	17	1210	2	56	25	0,23
17112018		-	041-18	18	1210	1	60	25	0,27	17212018	042-18	18	1210	2	58	25	0,30
17112019		18112019	041-19	19	1210	1	63	25	0,33	17212019	042-19	19	1210	2	64	25	0,38
17112020		-	041-20	20	1610	1	71	25	0,36	17212020	042-20	20	1610	2	66	25	0,45
17112021		18112021	041-21	21	1610	1	71	25	0,36	17212021	042-21	21	1610	2	71	25	0,50
17112022		-	041-22	22	1610	1	70	25	0,36	17212022	042-22	22	1610	2	76	25	0,55
17112023		18112023	041-23	23	1610	1	76	25	0,50	17212023	042-23	23	1610	2	79	25	0,62
17112024		-	041-24	24	1610	1	70	25	0,53	17212024	042-24	24	2012	2	84	32	0,68
17112025		18112025	041-25	25	1610	1	76	25	0,56	17212025	042-25	25	2012	2	87	32	0,72
17112026		-	041-26	26	1610	1	70	32	0,60	17212026	042-26	26	2012	2	85	32	0,82
17112027		18112027	041-27	27	1610	1	76	32	0,63	17212027	042-27	27	2012	2	87	32	0,92
17112028		-	041-28	28	2012	1	90	32	0,87	17212028	042-28	28	2012	2	87	32	1,10
17112030		18112030	041-30	30	2012	1	90	32	0,91	17212030	042-30	30	2012	2	87	32	1,24
17112038		-	041-38	38	2012	1	102	32	1,25	17212038	042-38	38	2012	2	102	32	2,50
17112045		-	041-45	45	2012	1	102	32	1,68	17212045	042-45	45	2012	2	111	32	3,05
17112057		-	041-57	57	2012	6	111	32	2,78	17212057	042-57	57	2012	7	111	32	5,64
17112076		-	041-76	76	2012	6	111	32	3,81	17212076	042-76	76	2012	7	111	32	5,69
17112095		-	041-95	95	2012	6	111	32	5,00	17212095	042-95	95	2012	7	111	32	5,10
17112114	-	041-114	114	2517	6	124	45	6,50	17212114	042-114	114	2517	7	124	45	6,00	



CAD drawings available on our site  
[www.chiaravalli.com](http://www.chiaravalli.com)

Quantity, availability and prices  
on B2B Chiaravalli



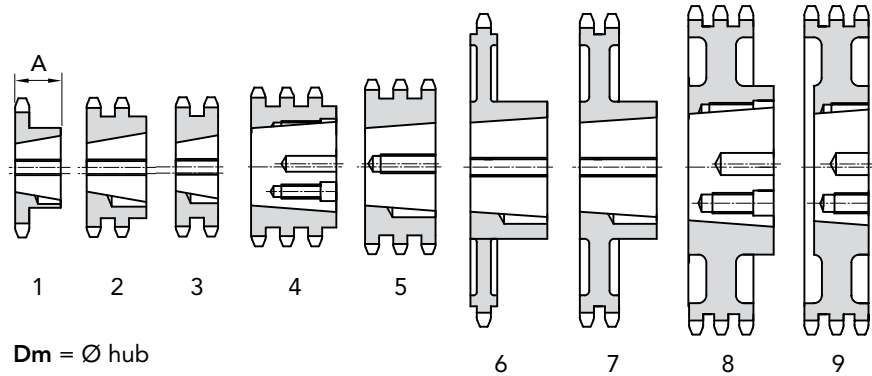
# TAPER LOCK® CHAIN SPROCKETS

**MATERIAL STEEL**  
**C 45 UNI 5007**

**AVAILABLE ALSO WITH INDUCTION HARDENED TEETH**

**MATERIAL IN CAST IRON**  
**GG20 UNI 5007**

Hardened teeth HRC 45÷53



**SIMPLEX**

**DUPLEX**

PITCH	P. NUMBER		COD. PITCH	Z	for		Dm hub	A	Kg	P. NUMBER		COD. PITCH	Z	for		Dm hub	A	Kg	
	ACCIAIO	TEMPRATI			taper	Exec. bush Type				taper	Exec. bush Type								
5/8" 15,87 mm	17115013	18115013	051-13	13	1008	1	46	22	0,23										
	17115014	-	051-14	14	1108	1	52	22	0,27										
	17115015	18115015	051-15	15	1210	1	63	25	0,30	17215015	052-15	15	1210	3	-	25,5	0,38		
	17115016	-	051-16	16	1610	1	70	25	0,38	17215016	052-16	16	1610	3	-	25,5	0,42		
	17115017	18115017	051-17	17	1610	1	71	25	0,38	17215017	052-17	17	1610	3	-	25,5	0,47		
	17115018	-	051-18	18	1610	1	75	25	0,43	17215018	052-18	18	1610	3	-	25,5	0,66		
	17115019	18115019	051-19	19	1610	1	76	25	0,54	17215019	052-19	19	1610	3	-	25,5	0,72		
	17115020	-	051-20	20	1610	1	75	25	0,61	17215020	052-20	20	1610	3	-	25,5	0,87		
	17115021	18115021	051-21	21	1610	1	76	25	0,65	17215021	052-21	21	1610	3	-	25,5	1,01		
	17115022	-	051-22	22	1610	1	76	25	0,72	17215022	052-22	22	1610	3	-	25,5	1,18		
	17115023	18115023	051-23	23	1610	1	76	25	0,77	17215023	052-23	23	1610	3	-	25,5	1,35		
	17115024	-	051-24	24	2012	1	90	32	0,98	17215024	052-24	24	2012	2	90	32	1,45		
	17115025	18115025	051-25	25	2012	1	90	32	1,05	17215025	052-25	25	2012	2	90	32	1,55		
	17115026	-	051-26	26	2012	1	85	32	1,11	17215026	052-26	26	2012	2	90	32	1,75		
	17115027	18115027	051-27	27	2012	1	90	32	1,17	17215027	052-27	27	2012	2	90	32	1,98		
	17115028	-	051-28	28	2012	1	90	32	1,29	17215028	052-28	28	2012	2	90	32	2,03		
	17115030	18115030	051-30	30	2012	1	90	32	1,40	17215030	052-30	30	2012	2	90	32	2,63		
	17115038	-	051-38	38	2012	1	102	32	2,43	17215038	052-38	38	2517	2	108	45	3,10		
	17115045	-	051-45	45	2012	1	111	32	3,55	17215045	052-45	45	2517	7	110	45	4,00		
	17115057	-	051-57	57	2012	6	111	32	4,28										
17115076	-	051-76	76	2012	6	111	32	5,95											
17115095	-	051-95	95	2517	6	124	45	7,50											
17115114	-	051-114	114	2517	6	124	45	11,20											
3/4" 19,05 mm	17119013	18119013	061-13	13	1210	1	63	25	0,35										
	17119014	-	061-14	14	1610	1	71	25	0,40	17219014	062-14	14	1610	3	-	30,3	0,60		
	17119015	18119015	061-15	15	1610	1	71	25	0,44	17219015	062-15	15	1610	3	-	30,3	0,68		
	17119016	-	061-16	16	1610	1	75	25	0,53	17219016	062-16	16	1610	3	-	30,3	0,89		
	17119017	18119017	061-17	17	1610	1	76	25	0,66	17219017	062-17	17	1610	3	-	30,3	1,14		
	17119018	-	061-18	18	2012	1	90	32	0,86	17219018	062-18	18	2012	2	89	32	1,18		
	17119019	18119019	061-19	19	2012	1	90	32	0,94	17219019	062-19	19	2012	2	95	32	1,24		
	17119020	-	061-20	20	2012	1	90	32	1,04	17219020	062-20	20	2517	2	108	45	1,40		
	17119021	18119021	061-21	21	2517	1	102	45	1,24	17219021	062-21	21	2517	2	108	45	1,68		
	17119022	-	061-22	22	2517	1	102	45	1,60	17219022	062-22	22	2517	2	108	45	1,99		
	17119023	18119023	061-23	23	2517	1	108	45	1,70	17219023	062-23	23	2517	2	108	45	2,24		
	17119024	-	061-24	24	2517	1	108	45	1,81	17219024	062-24	24	2517	2	108	45	2,54		
	17119025	18119025	061-25	25	2517	1	108	45	1,93	17219025	062-25	25	2517	2	108	45	2,87		
	17119026	-	061-26	26	2517	1	108	45	2,04	17219026	062-26	26	2517	2	108	45	3,17		
	17119027	18119027	061-27	27	2517	1	108	45	2,14	17219027	062-27	27	2517	2	108	45	3,55		
	17119028	-	061-28	28	2517	1	108	45	2,37	17219028	062-28	28	2517	2	108	45	4,10		
	17119030	18119030	061-30	30	2517	1	108	45	2,60	17219030	062-30	30	2517	2	108	45	4,62		
	17119038	-	061-38	38	2517	1	124	45	3,93	17219038	062-38	38	3020	2	152	51	8,11		
	17119045	-	061-45	45	2517	1	124	45	5,54	17219045	062-45	45	3020	7	154	51	9,00		
	17119057	-	061-57	57	2517	6	124	45	6,48	17219057	062-57	57	3020	7	160	51	10,28		
17119076	-	061-76	76	2517	6	124	45	9,71	17219076	062-76	76	3020	7	160	51	15,24			
17119095	-	061-95	95	2517	6	124	45	12,20	17219095	062-95	95	3020	7	160	51	20,00			
17119114	-	061-114	114	2525	6	124	63	16,80	17219114	062-114	114	3030	7	160	76	25,00			

CAD drawings available on our site  
[www.chiaravalli.com](http://www.chiaravalli.com)

Quantity, availability and prices  
on B2B Chiaravalli

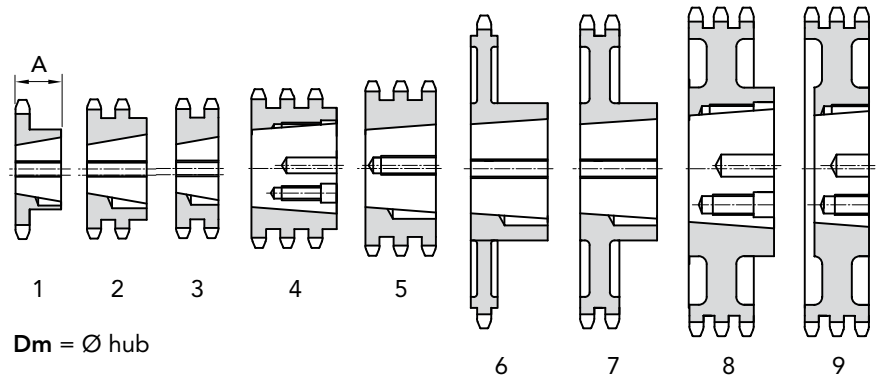


MATERIAL **STEEL**  
**C 45 UNI 5007**

**AVAILABLE ALSO  
WITH INDUCTION  
HARDENED TEETH**

MATERIAL **IN CAST IRON**  
**GG20 UNI 5007**

Hardened teeth HRC 45÷53


**SIMPLEX**
**DUPLEX**

PITCH	P.NUMBER	P.NUMBER	COD.	Z	SIMPLEX			Dm	A	Kg	P.NUMBER	COD.	Z	DUPLEX			Dm	A	Kg
					for	Exec.	taper bush Type							for	Exec.	taper bush Type			
25,40 mm	ACCIAIO	TEMPRATI	PITCH				hub				PITCH				hub				
	17125013	-	081-13	13	1610	1	78	25	0,98		17225013	081-13	13	2012	3	-	47,7	1,70	
	17125014	-	081-14	14	1610	1	78	25	1,14		17225014	081-14	14	2012	3	-	47,7	1,90	
	17125015	18125015	081-15	15	1610	1	78	25	1,30		17225015	082-15	15	2012	3	-	47,7	2,11	
	17125016	-	081-16	16	2012	1	90	32	1,40		17225016	082-16	16	2517	3	-	47,7	2,25	
	17125017	18125017	081-17	17	2012	1	90	32	1,59		17225017	082-17	17	2517	3	-	47,7	2,53	
	17125018	-	081-18	18	2517	1	108	45	2,10		17225018	082-18	18	2517	3	-	47,7	3,10	
	17125019	18125019	081-19	19	2517	1	108	45	2,29		17225019	082-19	19	2517	3	-	47,7	3,50	
	17125020	-	081-20	20	2517	1	108	45	2,60		17225020	082-20	20	2517	3	-	47,7	4,10	
	17125021	18125021	081-21	21	2517	1	108	45	2,81		17225021	082-21	21	3020	2	143	51	4,15	
	17125022	-	081-22	22	2517	1	108	45	3,10		17225022	082-22	22	3020	2	150	51	4,90	
	17125023	18125023	081-23	23	2517	1	108	45	3,38		17225023	082-23	23	3020	2	160	51	5,69	
	17125024	-	081-24	24	2517	1	108	45	3,70		17225024	082-24	24	3020	2	166	51	6,00	
	17125025	18125025	081-25	25	2517	1	108	45	3,97		17225025	082-25	25	3020	2	175	51	6,38	
	17125026	-	081-26	26	2517	1	108	45	4,26		17225026	082-26	26	3020	2	175	51	7,80	
	17125027	18125027	081-27	27	2517	1	108	45	4,55		17225027	082-27	27	3020	2	175	51	9,27	
	17125028	-	081-28	28	2517	1	108	45	5,26		17225028	082-28	28	3020	2	175	51	11,4	
	17125030	18125030	081-30	30	3020	1	160	51	5,97		17225030	082-30	30	3020	2	175	51	13,5	
	17125038	-	081-38	38	3020	1	160	51	8,73		17225038	082-38	38	3030	7	160	76	13,8	
	17125045	-	081-45	45	3020	1	160	51	12,49		17225045	082-45	45	3030	7	160	76	17,4	
	17125057	-	081-57	57	3020	6	160	51	13,87		17225057	082-57	57	3535	7	175	89	22,4	
	17125076	-	081-76	76	3020	6	160	51	22,63		17225076	082-76	76	3535	7	175	89	33,2	
	17125095	-	081-95	95	3020	6	160	51	32,00		17225095	082-95	95	4040	7	215	102	52,5	
	17125114	-	081-114	114	3030	6	150	76	50,00		17225114	082-114	114	4040	7	215	102	80,0	
<b>1" 1/4</b>																			
<b>31,75 mm</b>	17131015	18131015	081-15	15	2517	1	108	45	3,39										
	17131017	18131017	081-17	17	2517	1	108	45	5,07										
	17131019	18131019	081-19	19	2517	1	108	45	6,75										
	17131021	18131021	081-21	21	2517	1	108	45	7,70										
	17131023	18131023	081-23	23	2517	1	108	45	8,78										
	17131025	18131025	081-25	25	2517	1	108	45	9,50										
	17131030	18131030	081-30	30	3020	1	160	51	15,90										
	17131038	-	081-38	38	3020	6	160	51	12,80										
	17131045	-	081-45	45	3020	6	160	51	14,50										
	17131057	-	081-57	57	3020	6	160	51	18,40										
	17131076	-	081-76	76	3020	6	160	51	28,90										
	17131095	-	081-95	95	3030	6	160	76	40,50										
	17131114	-	081-114	114	4040	6	240	102	54,00										



CAD drawings available on our site  
[www.chiaravalli.com](http://www.chiaravalli.com)

Quantity, availability and prices  
on B2B Chiaravalli

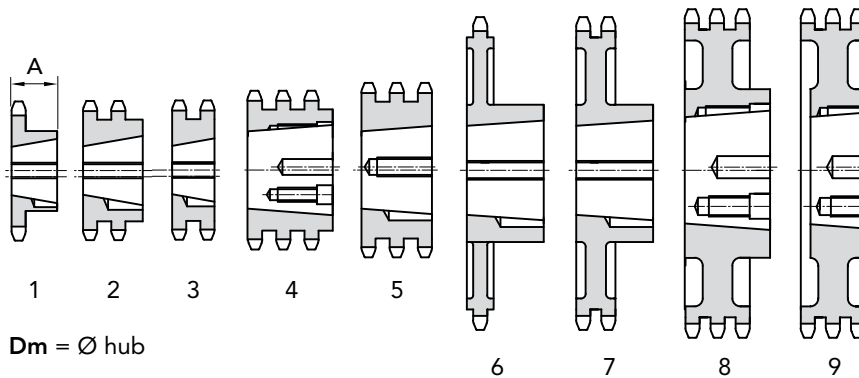


# TAPER LOCK® CHAIN SPROCKETS

MATERIAL **STEEL**  
C 45 UNI 5007

MATERIAL **IN CAST IRON**  
GG20 UNI 5007

Hardened teeth HRC 45÷53



### TRIPLEX

PITCH	P.NUMBER	COD.	Z	for	Exec.	Dm	A	Kg
		PITCH	taper bush	Type	hub			
3/4" 19,05 mm	17319015	063-15	15	1615	5	-	49,8	1,11
	17319017	063-17	17	2012	5	-	49,8	1,75
	17319019	063-19	19	2012	5	-	49,8	2,02
	17319021	063-21	21	2517	5	-	49,8	2,49
	17319023	063-23	23	2517	5	-	49,8	3,00
	17319025	063-25	25	2517	5	-	49,8	3,98
	17319027	063-27	27	3020	4	140	51	3,90
	17319030	063-30	30	3020	4	140	51	5,64
	17319038	063-38	38	3020	4	140	51	11,58
	17319045	063-45	45	3020	4	159	51	12,11
	17319057	063-57	57	3020	8	160	51	11,40
	17319076	063-76	76	3020	8	160	51	17,20
	17319095	063-95	95	3030	8	160	76	27,60
	17319114	063-114	114	3030	8	160	76	35,00
1" 25,40 mm	17325017	083-17	17	2517	5	-	79,6	4,29
	17325019	083-19	19	3020	5	-	79,6	4,36
	17325021	083-21	21	3020	5	-	79,6	6,69
	17325023	083-23	23	3525	5	-	79,6	7,80
	17325025	083-25	25	3525	5	-	79,6	10,93
	17325027	083-27	27	3525	5	-	79,6	14,06
	17325030	083-30	30	3525	5	-	79,6	19,10
	17325038	083-38	38	3535	8	178	89,0	19,50
	17325045	083-45	45	4040	8	216	102	29,80
	17325057	083-57	57	4040	8	216	102	38,50
	17325076	083-76	76	4040	8	216	102	53,75
	17325095	083-95	95	4040	8	240	102	80,80
	17325114	083-114	114	4545	8	260	114	120,00



CAD drawings available on our site  
[www.chiaravalli.com](http://www.chiaravalli.com)

Quantity, availability and prices  
on B2B Chiaravalli

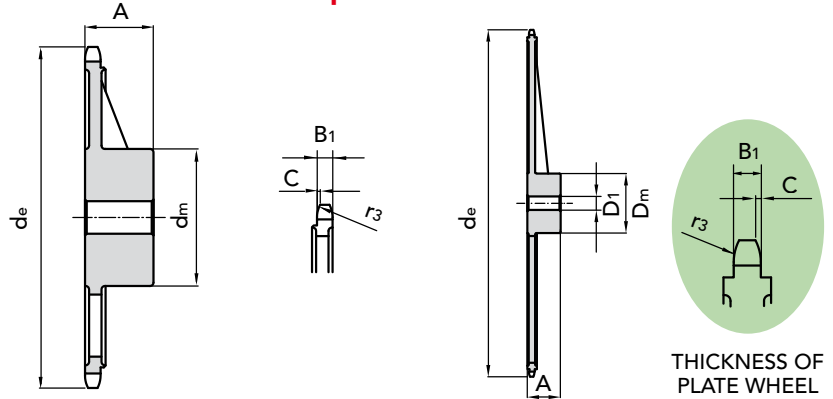

**3/8" x 7/32"**
**CHAIN SPROCKETS**

Tooth radius $r_3$	10	mm
Radius width $C$	1	mm
Sprockets tooth width $B_1$ (S)	5,3	mm
Sprockets tooth width $b_1$ (D-T)	5,2	mm
Sprockets tooth width $B_2$ (D)	15,4	mm
Sprockets tooth width $B_3$ (T)	25,6	mm

**CHAIN**

Pitch	9,525	mm
Inner width	5,72	mm
Roller $\varnothing$	6,35	mm

for roller chains in compliance with DIN 8187 ISO/R 606



THICKNESS OF PLATE WHEEL

SIMPLEX								DUPLEX				TRIPLEX					
Z	de	dp	PART NUMBER	dm	D1	A	kg.	PART NUMBER	dm	D1	A	kg.	PART NUMBER	dm	D1	A	kg.
38	119,5	115,35	12109038	70	20	32	1,12	12209038	80	24	40	1,90	12309038	90	24	56	3,00
45	140,7	136,55	12109045	70	20	32	1,30	12209045	80	24	40	2,06	12309045	90	24	56	3,56
57	176,9	172,91	12109057	70	20	32	1,55	12209057	80	24	40	2,30	12309057	90	24	56	3,97
76	234,9	230,49	12109076	70	20	32	2,00	12209076	80	24	40	3,02	12309076	100	24	56	4,52
95	292,5	288,08	12109095	80	20	40	3,83	12209095	90	24	45	4,68	12309095	100	24	56	6,12
114	349,6	345,68	12109114	80	20	40	4,05	12209114	95	24	45	5,90	12309114	100	24	56	10,00
150	459,2	454,82	12109150	90	21	45	4,05	12209150	100	24	50	5,90	12309150	125	24	60	9,00

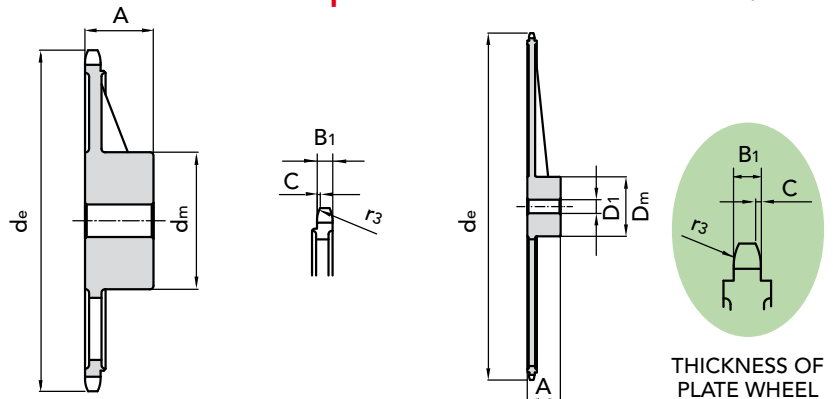
**1/2" x 5/16"**
**CHAIN SPROCKETS**

Tooth radius $r_3$	13	mm
Radius width $C$	1,3	mm
Sprockets tooth width $B_1$ (S)	7,2	mm
Sprockets tooth width $b_1$ (D-T)	7	mm
Sprockets tooth width $B_2$ (D)	21	mm
Sprockets tooth width $B_3$ (T)	34,9	mm

**CHAIN**

Pitch	12,7	mm
Inner width	7,75	mm
Roller $\varnothing$	8,51	mm

for roller chains in compliance with DIN 8187 ISO/R 606



THICKNESS OF PLATE WHEEL

SIMPLEX								DUPLEX				TRIPLEX					
Z	de	dp	PART NUMBER	dm	D1	A	kg.	PART NUMBER	dm	D1	A	kg.	PART NUMBER	dm	D1	A	kg.
38	158,6	153,8	12112038	70	20	40	1,56	12212038	90	24	50	3,15	12312038	100	24	60	4,45
45	188,0	182,0	12112045	70	20	40	1,95	12212045	90	24	50	3,56	12312045	100	24	60	5,85
57	236,4	230,54	12112057	70	20	40	2,46	12212057	90	24	50	4,00	12312057	100	24	60	6,28
76	313,3	307,33	12112076	80	24	40	4,20	12212076	100	24	56	6,35	12312076	100	24	60	8,60
95	390,1	384,11	12112095	80	24	45	5,45	12212095	100	24	56	8,00	12312095	120	24	67	11,9
114	466,9	460,9	12112114	91	24	45	8,35	12212114	100	24	63	11,9	12312114	120	24	67	15,0

We do not manufacture SPROCKETS in cast iron version ASA

SIMPLE CHAIN SPROCKETS WITH DUPLEX REINFORCE

 CAD drawings available on our site  
[www.chiaravalli.com](http://www.chiaravalli.com)

Quantity, availability and prices on B2B Chiaravalli





## 5/8" x 3/8"

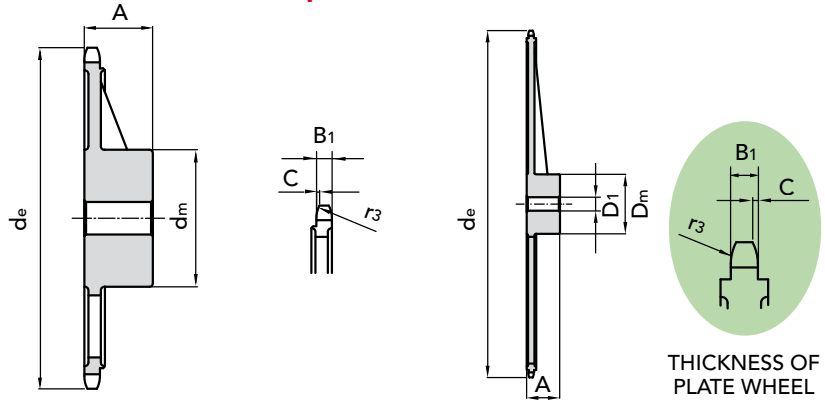
for roller chains in compliance with DIN 8187 ISO/R 606

### CHAIN SPROCKETS

Tooth radius $r_3$	16	mm
Radius width $C$	1,6	mm
Sprockets tooth width $B_1$ (S)	9,1	mm
Sprockets tooth width $b_1$ (D-T)	9	mm
Sprockets tooth width $B_2$ (D)	25,5	mm
Sprockets tooth width $B_3$ (T)	42,1	mm

### CHAIN

Pitch	15,875	mm
Inner width	9,65	mm
Roller $\varnothing$	10,16	mm



### SIMPLEX

### DUPLEX

### TRIPLEX

Z	d <sub>e</sub>	d <sub>p</sub>	PART NUMBER	d <sub>m</sub>	D <sub>1</sub>	A	kg.	PART NUMBER	d <sub>m</sub>	D <sub>1</sub>	A	kg.	PART NUMBER	d <sub>m</sub>	D <sub>1</sub>	A	kg.
38	199,2	192,24	12115038	80	20	40	2,32	12215038	100	30	50	4,56	12315038	100	32	60	6,50
45	235	227,58	12115045	80	20	40	2,88	12215045	100	30	50	4,93	12315045	100	32	60	7,04
57	296	288,18	12115057	90	24	45	4,30	12215057	100	30	56	6,50	12315057	100	32	63	8,00
76	392,1	384,16	12115076	90	24	50	7,00	12215076	100	30	63	9,10	12315076	110	35	67	12,0
95	488,5	480,14	12115095	100	24	56	10,65	12215095	110	30	63	12,6	12315095	125	35	70	19,4
114	584,1	576,13	12115114	100	24	56	14,50	12215114	125	30	70	17,8	12315114	125	35	80	24,0

## 3/4" x 7/16"

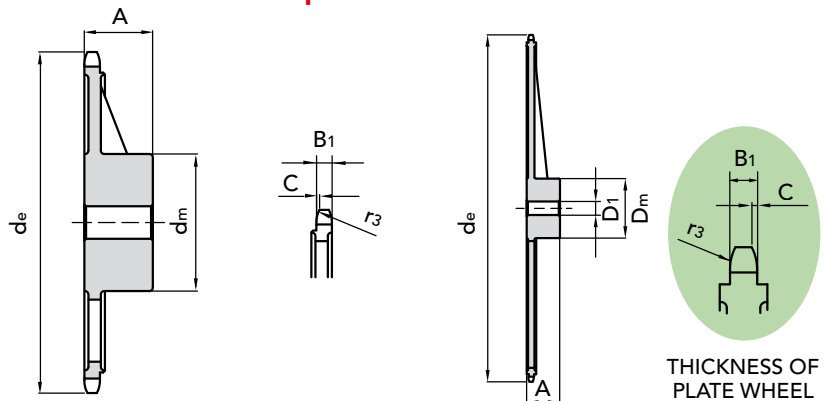
for roller chains in compliance with DIN 8187 ISO/R 606

### CHAIN SPROCKETS

Tooth radius $r_3$	19	mm
Radius width $C$	2	mm
Sprockets tooth width $B_1$ (S)	11,1	mm
Sprockets tooth width $b_1$ (D-T)	10,8	mm
Sprockets tooth width $B_2$ (D)	30,3	mm
Sprockets tooth width $B_3$ (T)	49,8	mm

### CHAIN

Pitch	19,05	mm
Inner width	11,68	mm
Roller $\varnothing$	12,07	mm



### SIMPLEX

### DUPLEX

### TRIPLEX

Z	d <sub>e</sub>	d <sub>p</sub>	PART NUMBER	d <sub>m</sub>	D <sub>1</sub>	A	kg.	PART NUMBER	d <sub>m</sub>	D <sub>1</sub>	A	kg.	PART NUMBER	d <sub>m</sub>	D <sub>1</sub>	A	kg.
38	239	230,69	12119038	100	24	56	4,75	12219038	110	24	63	7,50	12319038	140	31	70	10,00
45	282,5	273,1	12119045	100	24	56	5,90	12219045	110	24	63	8,30	12319045	140	31	70	13,30
57	354	345,81	12119057	100	30	56	6,45	12219057	120	30	63	10,3	12319057	140	39	70	15,25
76	469,9	460,99	12119076	100	30	56	12,30	12219076	135	30	63	15,2	12319076	160	39	75	27,20
95	585,1	576,17	12119095	100	30	56	15,40	12219095	135	30	70	21,2	12319095	170	39	82	36,40
114	700,6	691,36	12119114	100	30	56	24,80	12219114	135	30	70	30,4	12319114	170	49	82	41,10

We do not manufacture SPROCKETS in cast iron version ASA

SIMPLE CHAIN SPROCKETS WITH DUPLEX REINFORCE

CAD drawings available on our site [www.chiaravalli.com](http://www.chiaravalli.com)

Quantity, availability and prices on B2B Chiaravalli



CHAIN SPROCKETS IN CAST IRON GG 20 UNI 5007 for roller chains in compliance with DIN 8187 ISO/R 606



CHAIN SPROCKETS IN CAST IRON GG 20 UNI 5007 for roller chains in compliance with DIN 8187 ISO/R 606

## 1" x 17.02 mm

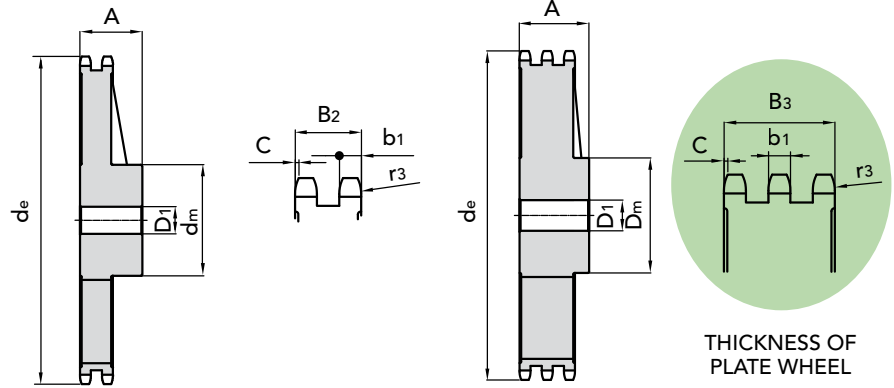
### CHAIN SPROCKETS

Tooth radius $r_3$	26	mm
Radius width $C$	2,5	mm
Sprockets tooth width $B_1$	16,2	mm
Sprockets tooth width $b_1$	15,8	mm
Sprockets tooth width $B_2$	47,7	mm
Sprockets tooth width $B_3$	79,6	mm

### CHAIN

Pitch	25,4	mm
Inner width	17,02	mm
Roller $\varnothing$	5,88	mm

for roller chains in compliance with DIN 8187 ISO/R 606



SIMPLEX								DUPLEX				TRIPLEX					
Z	de	dp	PART NUMBER	d <sub>m</sub>	D <sub>1</sub>	A	kg.	PART NUMBER	d <sub>m</sub>	D <sub>1</sub>	A	kg.	PART NUMBER	d <sub>m</sub>	D <sub>1</sub>	A	kg.
30	254	243	12125030	110	29	65	7,00	12225030	125	39	75	13,30	12325030	145	39	90	20,00
38	320	307,59	12125038	110	29	65	8,26	12225038	140	39	75	16,45	12325038	160	44	100	25,40
45	377	364,13	12125045	125	29	70	10,75	12225045	150	39	75	19,20	12325045	160	44	100	33,60
57	474	461,08	12125057	125	34	70	12,90	12225057	170	39	90	29,50	12325057	165	44	100	44,70
76	627	614,65	12125076	140	34	80	24,70	12225076	175	39	95	46,30	12325076	200	44	110	63,10
95	781	768,22	12125095	140	39	80	32,00	12225095	175	44	95	53,00	12325095	200	49	110	77,00
114	933	921,81	12125114	150	39	80	45,50	12225114	175	44	95	74,00	12325114	200	49	115	97,00

## 1" 1/4 x 3/4"

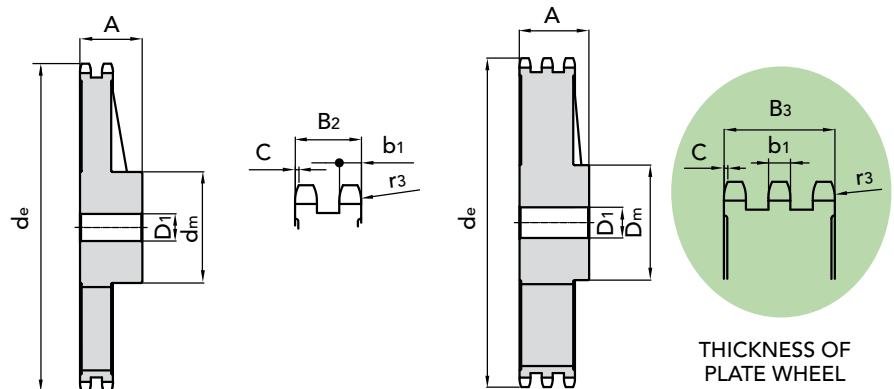
### CHAIN SPROCKETS

Tooth radius $r_3$	32	mm
Radius width $C$	3,5	mm
Sprockets tooth width $B_1$	18,5	mm
Sprockets tooth width $b_1$	18,2	mm
Sprockets tooth width $B_2$	54,6	mm
Sprockets tooth width $B_3$	91	mm

### CHAIN

Pitch	31,75	mm
Inner width	19,56	mm
Roller $\varnothing$	19,05	mm

for roller chains in compliance with DIN 8187 ISO/R 606



SIMPLEX								DUPLEX				TRIPLEX					
Z	de	dp	PART NUMBER	d <sub>m</sub>	D <sub>1</sub>	A	kg.	PART NUMBER	d <sub>m</sub>	D <sub>1</sub>	A	kg.	PART NUMBER	d <sub>m</sub>	D <sub>1</sub>	A	kg.
30	318,9	303,75	12131030	115	34	70	8,50	12231030	130	39	80	22,00					
38	399,6	384,49	12131038	125	34	70	12,30	12231038	140	44	90	24,80	12331038	170	55	110	52,00
45	470,3	455,17	12131045	125	34	70	18,00	12231045	140	44	90	32,00					
57	591,5	576,36	12131057	135	39	80	25,60	12231057	160	49	100	43,00	12331057	180	62	125	71,50
76	783,5	768,32	12131076	140	49	90	29,10	12231076	180	55	100	62,50					

We do not manufacture SPROCKETS in cast iron version ASA

SIMPLE CHAIN SPROCKETS WITH DUPLEX REINFORCE

CAD drawings available on our site [www.chiaravalli.com](http://www.chiaravalli.com)

Quantity, availability and prices on B2B Chiaravalli







1" 1/2 x 1"

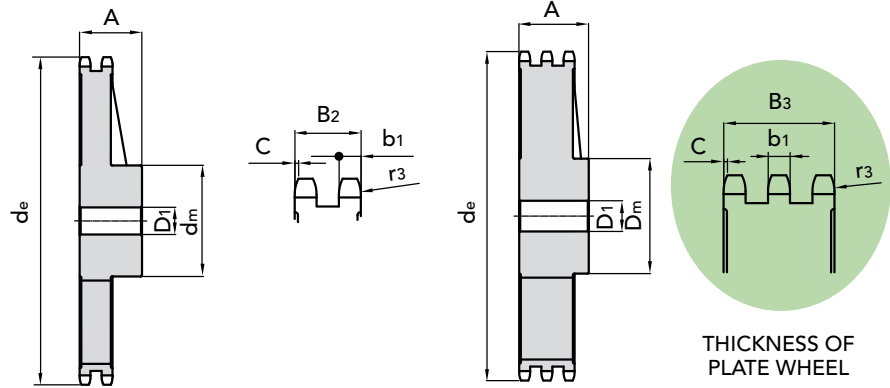
### CHAIN SPROCKETS

Tooth radius $r_3$	38	mm
Radius width $C$	4	mm
Sprockets tooth width $B_1$	24,1	mm
Sprockets tooth width $b_1$	23,6	mm
Sprockets tooth width $B_2$	72	mm
Sprockets tooth width $B_3$	120,3	mm

### CHAIN

Pitch	38,1	mm
Inner width	25,4	mm
Roller $\varnothing$	25,4	mm

for roller chains in compliance with DIN 8187 ISO/R 606



### SIMPLEX

### DUPLEX

### TRIPLEX

Z	$d_e$	$d_p$	PART NUMBER	$d_m$	$D_1$	A	kg.	PART NUMBER	$d_m$	$D_1$	A	kg.	PART NUMBER	$d_m$	$D_1$	A	kg.	
30	379,5	364,5	12138030	130	39	85	18,50											
38	476,2	461,39	12138038	140	44	90	21,80	12238038	180	44	100	42,20	12338038	200	62	150	42,50	
45	561,2	546,2	12138045	140	44	90	30,00											
57	706,5	691,63	12138057	160	44	100	46,20	12238057	200	54	110	72,70	12338057	200	62	150	119,40	
76	936,9	921,98	12138076	170	44	100	63,60	12238076	220	54	120	125,00	12338076	250	69	150	150,00	

We do not manufacture SPROCKETS in cast iron version ASA

CAD drawings available on our site [www.chiaravalli.com](http://www.chiaravalli.com)

Quantity, availability and prices on B2B Chiaravalli



CHAIN SPROCKETS IN CAST IRON GG 20 UNI 5007 for roller chains in compliance with DIN 8187 ISO/R 606

# CHAIN SPROCKETS FOR CONVEYORS AND ELEVATORS



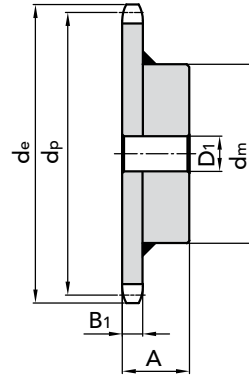
## CHAIN SPROCKETS P50 R 25 - 31

### CHAIN

Pitch	50	mm
Inner width	11,5	mm
Roller Ø	25	mm
Plate thickness B <sub>1</sub>	10,5	mm

### CHAIN

Pitch	50	mm
Inner width	15	mm
Roller Ø	31	mm
Plate thickness B <sub>1</sub>	13,8	mm



### CHAIN SPROCKETS P50

### ROLLER 25

### ROLLER 31

Z	d <sub>e</sub>	d <sub>p</sub>	PART NUMBER	D <sub>1</sub>	d <sub>m</sub>	A	kg.	PART NUMBER	d <sub>e</sub>	d <sub>p</sub>	D <sub>1</sub>	d <sub>m</sub>	A	kg.
6	115,0	100,0	14502506	20	60	40,5	1,11	14503106	116,2	100	20	60	43,8	1,18
7	132,7	115,24	14502507	20	60	40,5	1,37	14503107	133,8	115,24	20	60	43,8	1,44
8	148,1	130,6	14502508	20	60	40,5	1,55	14503108	152,3	130,6	20	60	43,8	1,72
9	163,7	146,2	14502509	20	60	40,5	1,89	14503109	167,9	146,2	20	60	43,8	2,05
10	179,3	161,85	14502510	25	90	43,3	3,10	14503110	183,5	161,85	25	90	46,6	4,40
11	195,0	177,5	14502511	25	90	43,3	3,44	14503111	199,2	177,5	25	90	46,6	3,80
12	211,0	193,2	14502512	25	90	43,3	4,79	14503112	212,0	193,2	25	90	46,6	4,30
13	226,4	208,95	14502513	30	90	43,3	4,17	14503113	230,6	208,95	30	90	46,6	4,78
14	242,2	224,7	14502514	30	90	43,3	4,63	14503114	246,4	224,7	30	90	46,6	5,37
15	257,9	240,45	14502515	30	90	43,3	5,09	14503115	262,1	240,45	30	90	46,6	5,98
16	273,8	456,3	14502516	30	110	55,4	8,26	14503116	278,0	256,3	30	110	58,7	9,05
17	289,5	272,05	14502517	30	110	55,4	9,10							
18	305,4	287,95	14502518	30	110	55,4	9,26	14503118	309,6	287,95	30	110	58,7	10,30
19								14503119	325,5	303,8	30	110	58,7	11,10
20	337,1	319,6	14502520	30	110	55,4	10,42	14503120	341,3	319,6	30	110	58,7	11,90
21	352,9	335,45	14502521	30	110	55,4	11,71							
22								14503122	373,0	351,35	30	110	58,7	13,54
23								14503123	388,9	367,2	30	110	58,7	14,38
24	400,0	383,05	14502524	30	110	55,4	13,00	14503124	404,7	383,05	30	110	58,7	15,35
25	416,4	398,95	14502525	30	110	55,4	13,98	14503125	419,7	398,95	30	110	58,7	16,40
26	432,3	414,8	14502526	30	133	61,1	15,20	14503126	436,5	414,8	30	133	64,4	18,81
27	448,2	430,7	14502527	30	133	61,1	17,03	14503127	452,4	430,7	30	133	64,4	19,00
28	464,0	446,55	14502528	30	133	61,1	18,62	14503128	468,2	446,55	30	133	64,4	21,00
30	495,8	478,35	14502530	30	133	61,1	20,29							
32								14503132	531,8	510,1	30	133	64,4	25,93
35								14503135	579,5	557,8	30	133	64,4	28,40
38	622,9	605,45	14502538	30	133	61,1	26,97	14503138	622	605,45	30	133	64,4	32,10

ALL THE CHAIN SPROCKETS FOR  
TRANSPORTERS AND ELEVATORS  
ARE REALIZED WITH WELDED HUB.

CAD drawings available on our site  
[www.chiaravalli.com](http://www.chiaravalli.com)

Quantity, availability and prices  
on B2B Chiaravalli



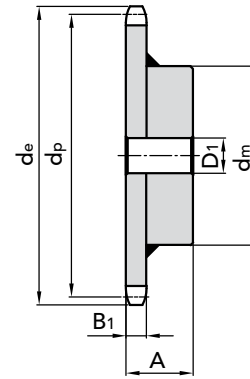
## CHAIN SPROCKETS P75 R 31

### CHAIN

Pitch	75	mm
Inner width	15	mm
Roller Ø	31	mm
Plate thickness B <sub>1</sub>	13,8	mm

## CHAIN SPROCKETS P75 ROLLER 31

Z	d <sub>e</sub>	d <sub>p</sub>	PART NUMBER	D <sub>1</sub>	d <sub>m</sub>	A	kg.
8	217,6	195,98	14753108	30	90	46,6	4,52
9	241	219,3	14753109	30	90	46,6	5,36
10	264,4	242,77	14753110	30	110	58,7	8,70
11	287,9	266,25	14753111	30	110	58,7	9,60
12	311,5	289,8	14753112	30	110	58,7	10,73
13	334,1	313,42	14753113	30	110	58,7	11,83
14	358,7	337,05	14753114	30	110	58,7	11,83
15	382,3	360,67	14753115	30	110	58,7	14,45
16	406,1	384,45	14753116	30	133	64,4	17,43
17	429,7	408,07	14753117	30	133	64,4	17,43
21	524,8	503,17	14753121	30	133	64,4	26,07
25	620,1	598,42	14753125	30	133	64,4	26,07



## CHAIN SPROCKETS P100 R 31 - 40

### CHAIN

Pitch	100	mm
Inner width	15	mm
Roller Ø	31	mm
Plate thickness B <sub>1</sub>	13,8	mm

### CHAIN

Pitch	100	mm
Inner width	22	mm
Roller Ø	40	mm
Plate thickness B <sub>1</sub>	20	mm

ALL THE CHAIN SPROCKETS FOR TRANSPORTERS AND ELEVATORS ARE REALIZED WITH WELDED HUB.

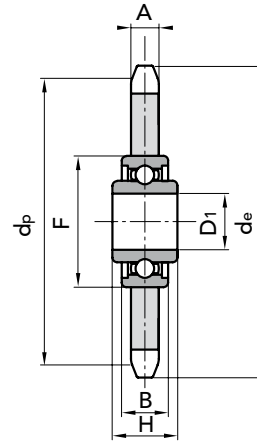
## CHAIN SPROCKETS P100 ROLLER 31

## ROLLER 40

Z	d <sub>e</sub>	d <sub>p</sub>	PART NUMBER	D <sub>1</sub>	d <sub>m</sub>	A	kg.	PART NUMBER	d <sub>e</sub>	d <sub>p</sub>	D <sub>1</sub>	d <sub>m</sub>	A	kg.
8	282,9	261,31	14993108	30	110	58,7	9,67	14994008	283	261,31	30	110	65	11,97
9	314,1	292,4	14993109	30	110	58,7	10,95	14994009	314	292,4	30	110	65	14,04
10	345,4	323,61	14993110	30	110	58,7	12,63	14994010	345	323,61	30	110	65	16,35
11	376,7	354,95	14993111	30	110	58,7	12,14	14994011	378	354,95	30	110	65	18,82
12	408,1	386,4	14993112	30	110	58,7	16,51	14994012	409	386,4	30	110	65	21,58
13	439,6	417,9	14993113	30	110	58,7	18,51							
14								14994014	473	449,4	30	110	65	28,14
15														
16	534,3	512,6	14993116	30	133	64,4	27,16	14994016	536	512,6	30	133	70,6	33,87
17	565,8	544,1	14993117	30	133	64,4	30,01							
18	597,6	575,9	14993118	30	133	64,4	51,20							
19														
20								14994020	663	639,2	30	133	70,6	48,50


**WITH BEARING**
**INA KRR-AH02-C5**

Our chain tensioning sprockets are supplied complete with bearing, ready for assembly in special tension or transmission points. The accurate machining and stable assembly on a dual protective shield ball bearing ensure greater resistance to loads and wear. The central elongated ring of the bearing facilitates assembly on special machines of every type.



Z	PITCH	d <sub>e</sub>	d <sub>p</sub>	PART NUMBER	A	D1	F	B	H	kg.
23	8 x 3	62,15	58,75	30008123	2,8	16 <sup>+0,26 +0,13</sup>	40	12	18,3	0,13
21	3/8" x 7/32"	68,00	63,90	30009121	5,3	16 <sup>+0,26 +0,13</sup>	40	12	18,3	0,15
18	1/2" x 1/8"	78,90	73,14	30010118	3,0	16 <sup>+0,26 +0,13</sup>	40	12	18,3	0,18
18	1/2" x 3/16"	78,90	73,13	30011118	4,5	16 <sup>+0,26 +0,13</sup>	40	12	18,3	0,20
16	1/2" x 5/16"	69,50	65,10	30012116	7,2	16 <sup>+0,26 +0,13</sup>	40	12	18,3	0,17
18	1/2" x 5/16"	77,80	73,14	30012118	7,2	16 <sup>+0,26 +0,13</sup>	40	12	18,3	0,22
14	5/8" x 3/8"	78,00	71,34	30015114	9,1	16 <sup>+0,26 +0,13</sup>	40	12	18,3	0,23
15	5/8" x 3/8"	83,00	76,36	30015115	9,1	16 <sup>+0,26 +0,13</sup>	40	12	18,3	0,27
17	5/8" x 3/8"	93,00	86,39	30015117	9,1	16 <sup>+0,26 +0,13</sup>	40	12	18,3	0,36
13	3/4" x 7/16"	87,50	79,59	30019113	11,1	16 <sup>+0,26 +0,13</sup>	40	12	18,3	0,34
15	3/4" x 7/16"	99,80	91,63	30019115	11,1	16 <sup>+0,26 +0,13</sup>	40	12	18,3	0,47
12	1" x 17.02	109,00	98,14	30025112	16,2	20 <sup>+0 +0,1</sup>	47	14	17,7	0,72
13	1"1/4 x 3/4"	147,80	132,65	30031113	18,5	25 <sup>+0 +0,1</sup>	52	15	21,0	1,64

CAD drawings available on our site  
[www.chiaravalli.com5](http://www.chiaravalli.com5)

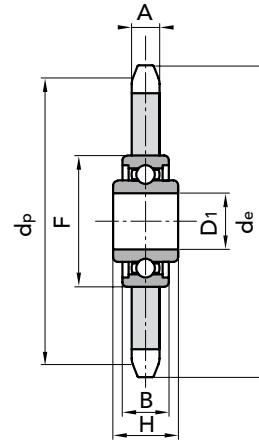
Quantity, availability and prices  
 on B2B Chiaravalli





## WITH ECONOMIC BEARING

Our chain tensioning sprockets are supplied complete with bearing, ready for assembly in special tension or transmission points. The accurate machining and stable assembly on a dual protective shield ball bearing ensure greater resistance to loads and wear. The central elongated ring of the bearing facilitates assembly on special machines of every type.

**IDLER SPROCKET**

Z	PITCH	d <sub>e</sub>	d <sub>p</sub>	PART NUMBER	A	D1	F	B	H	kg.
23	8 x 3	62,15	58,75	30008023	2,8	16 $\begin{smallmatrix} +0,26 \\ +0,13 \end{smallmatrix}$	40	12	18,3	0,13
21	3/8" x 7/32"	68,00	63,90	30009021	5,3	16 $\begin{smallmatrix} +0,26 \\ +0,13 \end{smallmatrix}$	40	12	18,3	0,15
22	3/8" x 7/32"	71,00	66,93	30009022	5,3	16 $\begin{smallmatrix} +0,26 \\ +0,13 \end{smallmatrix}$	40	12	18,3	0,16
18	1/2" x 1/8"	78,90	73,14	30010018	3,0	16 $\begin{smallmatrix} +0,26 \\ +0,13 \end{smallmatrix}$	40	12	18,3	0,18
15	1/2" x 3/16"	66,80	61,09	30011015	4,5	16 $\begin{smallmatrix} +0,26 \\ +0,13 \end{smallmatrix}$	40	12	18,3	0,16
16	1/2" x 3/16"	70,90	65,10	30011016	4,5	16 $\begin{smallmatrix} +0,26 \\ +0,13 \end{smallmatrix}$	40	12	18,3	0,17
18	1/2" x 3/16"	78,90	73,13	30011018	4,5	16 $\begin{smallmatrix} +0,26 \\ +0,13 \end{smallmatrix}$	40	12	18,3	0,20
14	1/2" x 5/16"	61,80	57,07	30012014	7,2	16 $\begin{smallmatrix} +0,26 \\ +0,13 \end{smallmatrix}$	40	12	18,3	0,13
16	1/2" x 5/16"	69,50	65,10	30012016	7,2	16 $\begin{smallmatrix} +0,26 \\ +0,13 \end{smallmatrix}$	40	12	18,3	0,17
18	1/2" x 5/16"	77,80	73,14	30012018	7,2	16 $\begin{smallmatrix} +0,26 \\ +0,13 \end{smallmatrix}$	40	12	18,3	0,22
14	5/8" x 3/8"	78,00	71,34	30015014	9,1	16 $\begin{smallmatrix} +0,26 \\ +0,13 \end{smallmatrix}$	40	12	18,3	0,23
15	5/8" x 3/8"	83,00	76,36	30015015	9,1	16 $\begin{smallmatrix} +0,26 \\ +0,13 \end{smallmatrix}$	40	12	18,3	0,27
17	5/8" x 3/8"	93,00	86,39	30015017	9,1	16 $\begin{smallmatrix} +0,26 \\ +0,13 \end{smallmatrix}$	40	12	18,3	0,36
13	3/4" x 7/16"	87,50	79,59	30019013	11,1	16 $\begin{smallmatrix} +0,26 \\ +0,13 \end{smallmatrix}$	40	12	18,3	0,34
15	3/4" x 7/16"	99,80	91,63	30019015	11,1	16 $\begin{smallmatrix} +0,26 \\ +0,13 \end{smallmatrix}$	40	12	18,3	0,47
12	1" x 17.02	109,00	98,14	30025012	16,2	20 $\begin{smallmatrix} +0 \\ +0,1 \end{smallmatrix}$	47	14	17,7	0,72
13	1"1/4 x 3/4"	147,80	132,65	30031013	18,5	25 $\begin{smallmatrix} +0 \\ +0,1 \end{smallmatrix}$	52	15	21,0	1,64



Quantity, availability and prices  
on B2B Chiaravalli