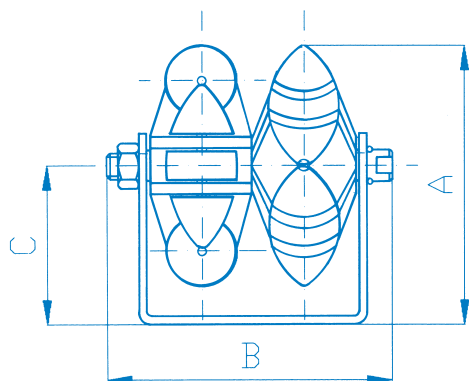


OKARROLL MULTIDIRECTIONAL ROLLERS / TECHNICAL DATA



DUPLEX ROLLER IN PROFILE

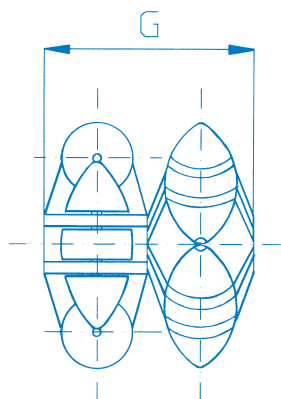
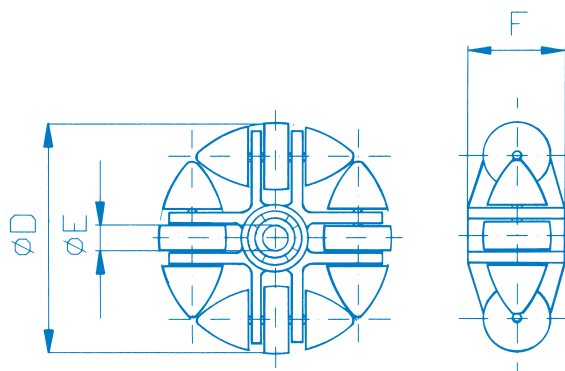
	ø50	ø60	ø80	ø120
A	60.0	70.0	90.0	140.0
B	56.0	68.8	78.0	113.0
C	35.0	40.0	50.0	70.0

Recommended maximal weight of transported goods.*

per roller kg	10	20	40	200

SIMPLEX ROLLER

	ø50	ø60	ø80	ø120
D	50.0	60.0	80.0	120.0
E	8.3	8.3	8.3	17.0
F	19.5	25.0	30.0	39.0

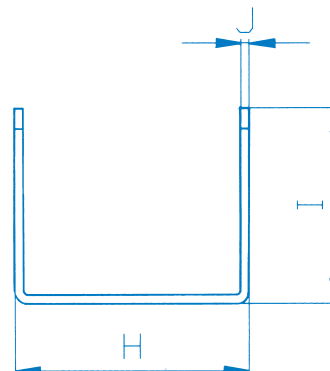


DUPLEX ROLLER

	ø50	ø60	ø80	ø120
G	39.0	51.0	60.0	78.0

PROFILES

	ø50	ø60	ø80	ø120
H	44.0	56.0	65.0	90.0
I	42.0	47.0	60.0	90.0
J	2.0	2.0	2.0	3.0
L=	52.0	62.0	82.0	100.0
L=	1000	1000	1000	



* Depends on roller distance and quality of surface of plate.

Manufacturer:

OKARTEK

Leipurinkatu 5, FI-20780 Kaarina, FINLAND
tel. +358 2 273 9400, fax. +358 2 273 9460
www.okartek.fi