

ART. I103

BALL WITH THREADED HOLE

MATERIAL:

Reinforced polyamide.
Oils and greases resistant.

SURFACE:

Satin.

COLOUR:

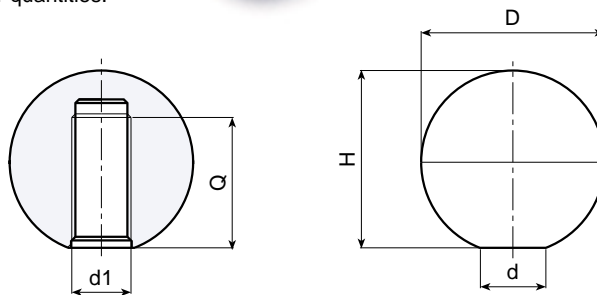
Black (RAL 9011).

HOLE :

Female threaded blind hole obtained by moulding the plastic.

SPECIAL REQUESTS:

- It is possible to supply colours as shown in the table at page 23, on request and for quantities.
(* Reduced colour range.



Art.	D	H	d	d1	Q	Weight (gr)
I103-15 M04	15	14	9	M4	10	2
I103-15 M05	15	14	9	M5	10	2
I103-20 M04	20	19	10	M4	14	6
I103-20 M05	20	19	10	M5	15	6
I103-20 M06	20	19	10	M6	14	6
I103-20 M08	20	19	10	M8	13	6
I103-25 M05	25	23	14	M5	18	10
I103-25 M06	25	23	14	M6	18	10
I103-25 M08	25	23	14	M8	19	10
I103-25 M10	25	23	14	M10	18	8
I103-30 M05	30	29	14	M5	20	18
I103-30 M06	30	29	14	M6	23	18
I103-30 M08	30	29	14	M8	22	16
I103-30 M10	30	29	14	M10	22	16
I103-30 M12	30	29	14	M12	22	14
I103-35 M06	35	33	16	(*) M6	25	28
I103-35 M08	35	33	16	(*) M8	24	26
I103-35 M10	35	33	16	(*) M10	25	26
I103-35 M12	35	33	16	(*) M12	25	26
I103-40 M08	40	39	16	(*) M8	30	42
I103-40 M10	40	39	16	(*) M10	24	36
I103-40 M12	40	39	16	(*) M12	25	36
I103-40 M14	40	39	16	(*) M14	25	34
I103-45 M08	45	44	18	(*) M8	30	60
I103-45 M10	45	44	18	(*) M10	30	58
I103-45 M12	45	44	18	(*) M12	31	58
I103-45 M14	45	44	18	(*) M14	30	56
I103-50 M10	50	49	18	(*) M10	32	80
I103-50 M12	50	49	18	(*) M12	32	78
I103-50 M14	50	49	18	(*) M14	33	76
I103-50 M16	50	49	18	(*) M16	33	75



BOTECA

ART. 1104

BALL WITH SELF-FIX HOLE

MATERIAL:

Reinforced polyamide.
Oils and greases resistant.

SURFACE:

Satin.

COLOUR:

Black (RAL 9011).

HOLE :

Female smooth blind hole obtained by moulding the plastic.

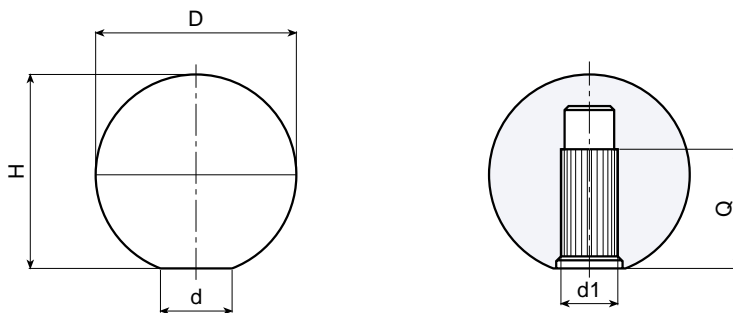
FIXING:

Push fit.



SPECIAL REQUESTS:

- It is possible to supply colours as shown in the table at page 23, on request and for quantities.
(*) Reduced colour range.



Art.	D	H	d	d1	Q	Weight (gr)
I104-20 D05	20	19	10	D5	15	4
I104-20 D06	20	19	10	D6	15	4
I104-25 D06	25	23	14	D6	17	10
I104-25 D08	25	23	14	D8	20	10
I104-30 D08	30	29	14	D8	17	16
I104-30 D10	30	29	14	D10	17	16
I104-35 D08	35	33	16	(*) D8	25	26
I104-35 D10	35	33	16	(*) D10	27	26
I104-40 D10	40	39	16	(*) D10	32	42
I104-40 D12	40	39	16	(*) D12	32	38
I104-45 D10	45	44	18	(*) D10	30	58
I104-45 D12	45	44	18	(*) D12	32	58
I104-45 D14	45	44	18	(*) D14	34	56
I104-50 D10	50	49	18	(*) D10	28	80
I104-50 D12	50	49	18	(*) D12	30	78
I104-50 D14	50	49	18	(*) D14	30	76



ART. I105

BALL WITH THREADED INSERT

MATERIAL:

Reinforced polyamide.
Oils and greases resistant.

SURFACE:

Satin.

COLOUR:

Black (RAL 9011).

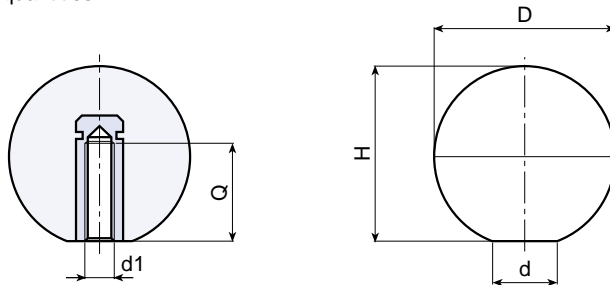
MAIN INSERT:

Brass blind threaded bush.



SPECIAL REQUESTS:

- It is possible to supply the inserts in different materials, on request and for quantities.
 - It is possible to supply colours as shown in the table at page 23, on request and for quantities.
- (*) Reduced colour range.



Art.	D	H	d	d1	Q	Weight (gr)
I105-15 M04	15	14	8	M4	8	4
I105-15 M05	15	14	8	M5	7	4
I105-20 M04	20	19	10	M4	8	8
I105-20 M05	20	19	10	M5	7	8
I105-20 M06	20	19	10	M6	7	8
I105-20 M08	20	19	10	M8	7	8
I105-25 M05	25	23	14	M5	10	12
I105-25 M06	25	23	14	M6	10	12
I105-25 M08	25	23	14	M8	11	14
I105-25 M10	25	23	14	M10	14	12
I105-30 M05	30	29	14	M5	15	22
I105-30 M06	30	29	14	M6	16	22
I105-30 M08	30	29	14	M8	14	22
I105-30 M10	30	29	14	M10	14	22
I105-30 M12	30	29	14	M12	18	26
I105-35 M06	35	33	16	(*) M6	16	34
I105-35 M08	35	33	16	(*) M8	14	34
I105-35 M10	35	33	16	(*) M10	14	34
I105-35 M12	35	33	16	(*) M12	18	32
I105-40 M08	40	39	16	(*) M8	14	52
I105-40 M10	40	39	16	(*) M10	14	52
I105-40 M12	40	39	16	(*) M12	18	52
I105-40 M14	40	39	16	(*) M14	19	50
I105-45 M08	45	44	18	(*) M8	14	60
I105-45 M10	45	44	18	(*) M10	18	60
I105-45 M12	45	44	18	(*) M12	18	58
I105-45 M14	45	44	18	(*) M14	19	56
I105-50 M10	50	49	18	(*) M10	18	94
I105-50 M12	50	49	18	(*) M12	18	92
I105-50 M14	50	49	18	(*) M14	19	90



BOTECA

ART. 1107

SHORT HANDLE WITH THREADED INSERT

MATERIAL:

Reinforced polyamide.
Oils and greases resistant.

SURFACE:

Satin.

COLOUR:

Black (RAL 9011).

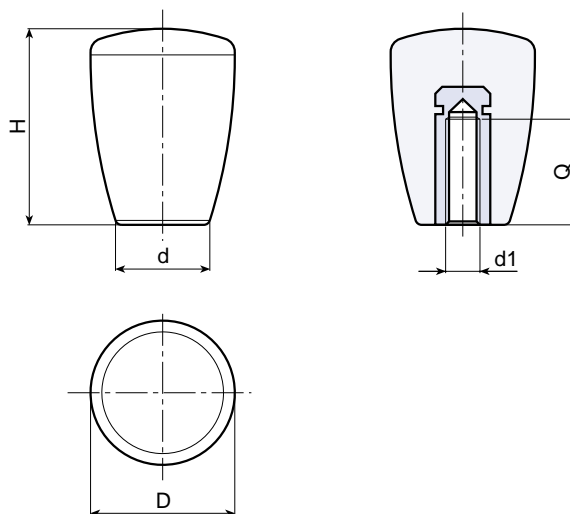
MAIN INSERT:

Brass blind threaded bush.



SPECIAL REQUESTS:

- It is possible to supply the inserts in different materials, on request and for quantities.
- It is possible to supply colours as shown in the table at page 23, on request and for quantities.
(* Reduced colour range.



Art.	D	H	d	d1	Q	Weight (gr)
I107-21 M04	21	28	13	M4	10	14
I107-21 M05	21	28	13	M5	10	13
I107-21 M06	21	28	13	M6	10	13
I107-25 M06	25	34	17	M6	10	18
I107-25 M08	25	34	17	M8	13	20
I107-25 M10	25	34	17	M10	14	22
I107-32 M08	32	43	21	M8	14	40
I107-32 M10	32	43	21	M10	14	40
I107-32 M12	32	43	21	M12	18	44
I107-43 M10	43	58	27	(*) M10	18	90
I107-43 M12	43	58	27	(*) M12	18	90
I107-43 M14	43	58	27	(*) M14	19	92



ART. I107 CIN

SHORT HANDLE WITH THREADED STAINLESS STEEL INSERT

INOX

MATERIAL:

Reinforced polyamide.
Oils and greases resistant.

SURFACE:

Satin.

COLOUR:

Black (RAL 9011).

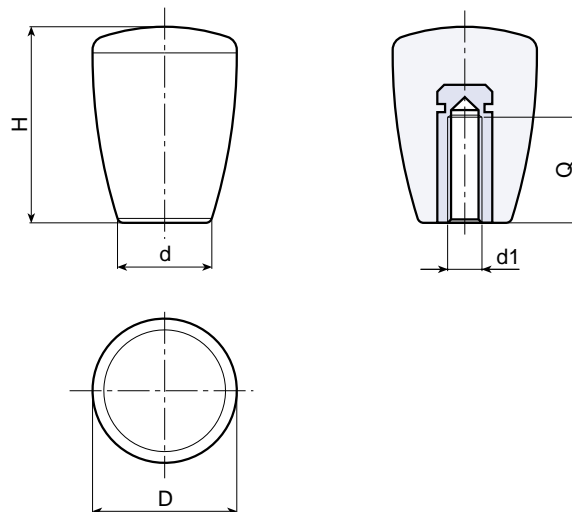
MAIN INSERT:

Stainless steel blind threaded bush (AISI 303).



SPECIAL REQUESTS:

- It is possible to supply colours as shown in the table at page 23, on request and for quantities.
(* Reduced colour range.



Art.	D	H	d	d1	Q	Weight (gr)
I107-21 M05 CIN	21	28	13	M5	15	16
I107-25 M06 CIN	25	34	16	M6	16	20
I107-25 M08 CIN	25	34	16	M8	16	22
I107-25 M10 CIN	25	34	16	M10	16	25
I107-32 M08 CIN	32	43	20	M8	16	43
I107-32 M10 CIN	32	43	20	M10	16	43
I107-32 M12 CIN	32	43	20	M12	20	48
I107-43 M10 CIN	43	58	27	(*) M10	16	92
I107-43 M12 CIN	43	58	27	(*) M12	20	92

HANDGRIPS

ART. 1108

SHORT HANDLE WITH THREADED HOLE

MATERIAL:

Reinforced polyamide.
Oils and greases resistant.

SURFACE:

Satin.

COLOUR:

Black (RAL 9011).

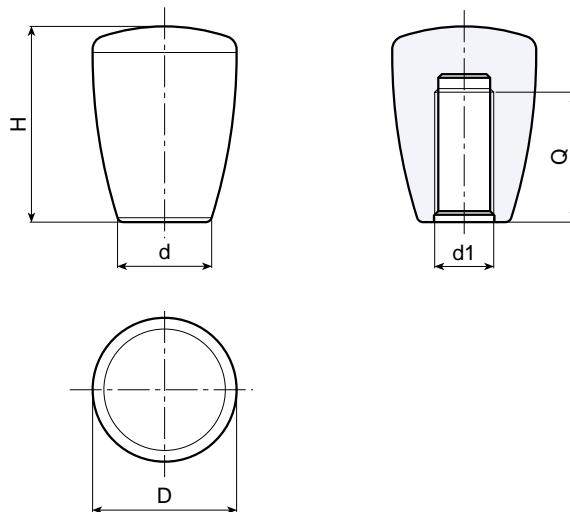
HOLE :

Female threaded blind hole obtained by moulding the plastic.



SPECIAL REQUESTS:

- It is possible to supply colours as shown in the table at page 23, on request and for quantities.
(* Reduced colour range.



Art.	D	H	d	d1	Q	Weight (gr)
I108-21 M04	21	28	13	M4	20	13
I108-21 M05	21	28	13	M5	20	12
I108-21 M06	21	28	13	M6	20	11
I108-25 M05	25	34	17	M5	20	16
I108-25 M06	25	34	17	M6	27	16
I108-25 M08	25	34	17	M8	28	14
I108-25 M10	25	34	17	M10	27	14
I108-32 M08	32	43	21	M8	34	32
I108-32 M10	32	43	21	M10	33	32
I108-32 M12	32	43	21	M12	33	32
I108-43 M10	43	58	27	(*) M10	38	80
I108-43 M12	43	58	27	(*) M12	38	78
I108-43 M14	43	58	27	(*) M14	38	76
I108-43 M16	43	58	27	(*) M16	38	74



BOTECA

ART. I 109

SHORT HANDLE WITH SELF-FIX HOLE

MATERIAL:

Reinforced polyamide.
Oils and greases resistant.

SURFACE:

Satin.

COLOUR:

Black (RAL 9011).

HOLE :

Female smooth blind hole obtained by moulding the plastic.

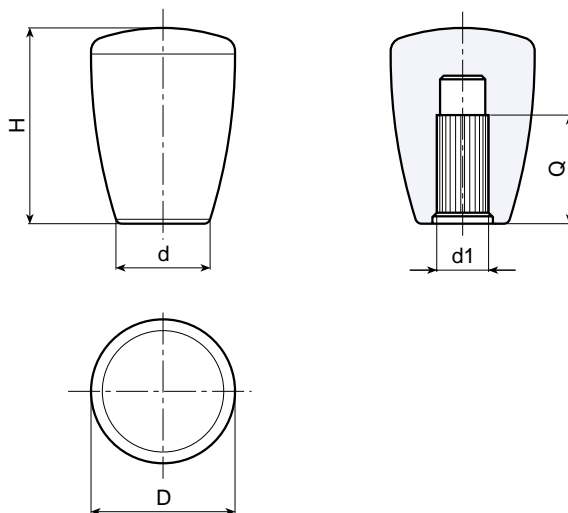
FIXING:

Push fit.



SPECIAL REQUESTS:

- It is possible to supply colours as shown in the table at page 23, on request and for quantities.
(* Reduced colour range.



Art.	D	H	d	d1	Q	Weight (gr)
I109-21 D05	21	28	13	D5	24	13
I109-25 D06	25	34	17	D6	24	16
I109-25 D08	25	34	17	D8	27	16
I109-25 D10	25	34	17	D10	26	14
I109-32 D08	32	43	21	D8	27	36
I109-32 D10	32	43	21	D10	27	34
I109-32 D11	32	43	21	D11	26	32
I109-32 D12	32	43	21	D12	28	30
I109-43 D10	43	58	27	(* D10	30	80
I109-43 D12	43	58	27	(* D12	30	78
I109-43 D14	43	58	27	(* D14	36	76
I109-43 D15	43	58	27	(* D15	36	74
I109-43 D16	43	58	27	(* D16	36	72

HANDGRIPS

ART. 112

SHORT HANDLE WITH THREADED STUD

MATERIAL:

Reinforced polyamide.
Oils and greases resistant.

SURFACE:

Satin.

COLOUR:

Black (RAL 9011).

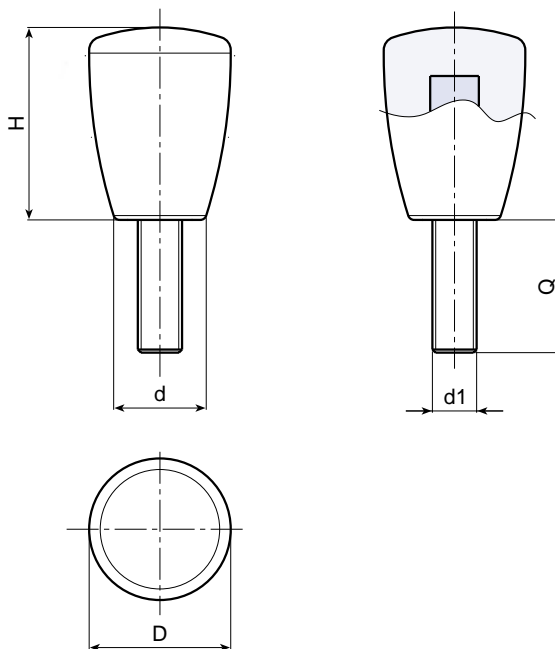
MAIN INSERT:

Zinc plated steel threaded stud.



SPECIAL REQUESTS:

- It is possible to supply the inserts in different materials, on request and for quantities.
- It is possible to supply the inserts with different lengths, on request and for quantities.
- It is possible to supply colours as shown in the table at page 23, on request and for quantities.
(* Reduced colour range.



Art.	D	H	d	d1	Q	Weight (gr)
I112-21 M04	21	28	13	M4	16	16
I112-21 M05	21	28	13	M5	16-30	17-19
I112-21 M06	21	28	13	M6	16-30	18-21
I112-25 M06	25	34	17	M6	16-30	20
I112-25 M08	25	34	17	M8	16-30	21-23
I112-25 M10	25	34	17	M10	16-20-30	22-23,5-25
I112-32 M08	32	43	21	M8	16-20-30	44-45-48
I112-32 M10	32	43	21	M10	16-20-30	50-52-57
I112-32 M12	32	43	21	M12	20-30	64-71
I112-43 M10	43	58	27	(*) M10	16-30	98-105
I112-43 M12	43	58	27	(*) M12	20-30	108-115
I112-43 M14	43	58	27	(*) M14	30	130



BOTECA

ART. 1113

SHORT HANDLE WITH LEVER ARM

MATERIAL:

Reinforced polyamide.
Oils and greases resistant.

SURFACE:

Satin.

COLOUR:

Black (RAL 9011).

LEVER ARM:

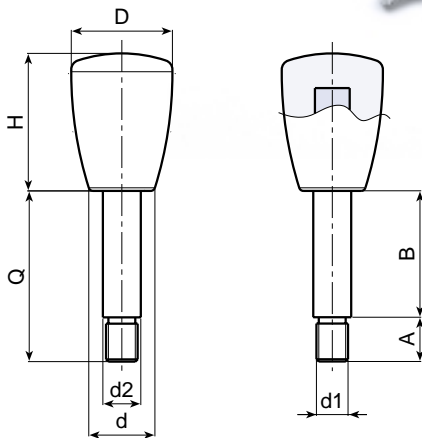
Partially threaded zinc plated steel stud.

FIXING:

Push fit (cannot be dismantled).

SPECIAL REQUESTS:

- It is possible to supply the inserts with custom size, on request and for quantities.
- It is possible to supply the inserts with different treatment-finishes, on request and for quantities.
- It is possible to supply colours as shown in the table at page 23, on request and for quantities.



Art.	D	H	d	A	B	d2	d1	Q	Weight (gr)
I113-25 M08x40	25	34	17	10	30	10	M8	40	42
I113-25 M08x55	25	34	17	10	45	10	M8	55	48
I113-25 M08x80	25	34	17	10	70	10	M8	80	75
I113-32 M10x55	32	43	21	15	40	12	M10	55	86
I113-32 M10x65	32	43	21	15	50	12	M10	65	97
I113-32 M12x65	32	43	21	15	50	14	M12	65	114

ART. 1500

SHORT HANDLE WITH SELF-FIX HOLE

MATERIAL:

Reinforced polyamide.
Oils and greases resistant.

SURFACE:

Satin.

COLOUR:

Black (RAL 9011).

HOLE :

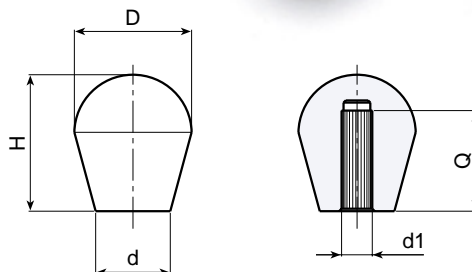
Female smooth blind hole obtained by moulding the plastic.

FIXING:

Push fit.

SPECIAL REQUESTS:

- It is possible to supply colours as shown in the table at page 23, on request and for quantities.



Art.	D	H	d	d1	Q	Weight (gr)
I500-30 D10	27	32	18	D10	23	11
I500-30 D12	27	32	18	D12	22	11
I500-30 D14	27	32	18	D14	20	10
I500-37 D16	37	43	24	D16	30	33
I500-37 D18	37	43	24	D18	30	31



BOTECA

ART. 1117

GEAR STICK WITH THREADED INSERT

MATERIAL:

Reinforced polyamide.
Oils and greases resistant.

SURFACE:

Satin.

COLOUR:

Black (RAL 9011).

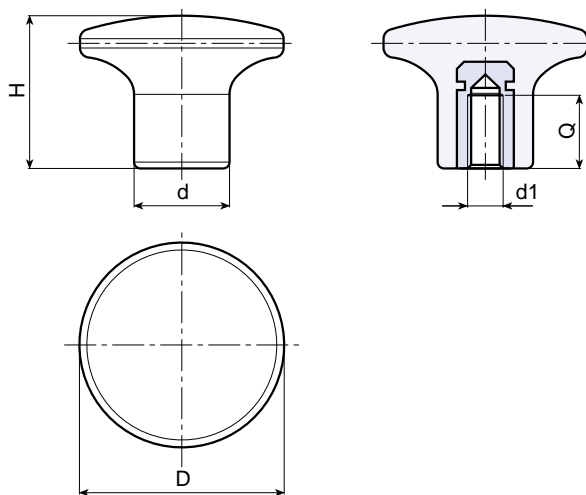
MAIN INSERT:

Brass blind threaded bush.



SPECIAL REQUESTS:

- It is possible to supply the inserts in different materials, on request and for quantities.
- It is possible to supply colours as shown in the table at page 23, on request and for quantities.



Art.	D	H	d	d1	Q	Weight (gr)
I117-22 M04	22	17	11	M4	8	6
I117-22 M05	22	17	11	M5	10	6
I117-22 M06	22	17	11	M6	11	6
I117-26 M05	26	20,5	13	M5	10	9
I117-26 M06	26	20,5	13	M6	11	9
I117-26 M08	26	20,5	13	M8	15	10
I117-32 M05	32	24	15	M5	10	12
I117-32 M06	32	24	15	M6	9	12
I117-32 M08	32	24	15	M8	15	14
I117-45 M08	45	32	21	M8	20	32
I117-45 M10	45	32	21	M10	18	33
I117-45 M12	45	32	21	M12	18	34
I117-45 M14	45	32	21	M14	33	38
I117-45 M16	45	32	21	M16	33	43



ART. I117 CIN

GEAR STICK WITH THREADED STAINLESS STEEL INSERT

INOX

MATERIAL:

Reinforced polyamide.
Oils and greases resistant.

SURFACE:

Satin.

COLOUR:

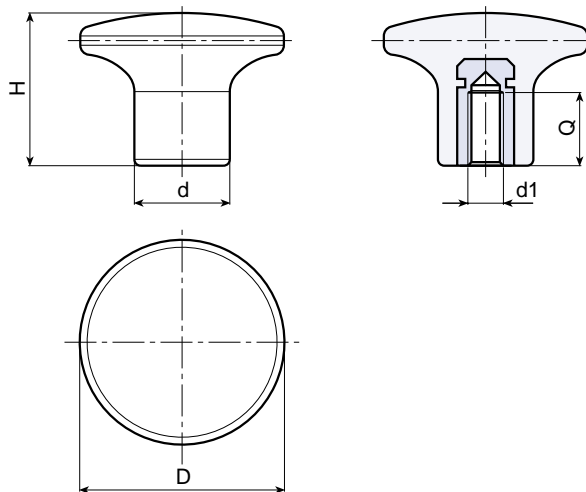
Black (RAL 9011).

MAIN INSERT:

Stainless steel blind threaded bush (AISI 303).

SPECIAL REQUESTS:

- It is possible to supply colours as shown in the table at page 23, on request and for quantities.



Art.	D	H	d	d1	Q	Weight (gr)
I117-22 M05 CIN	22	17	11	M5	13	8
I117-22 M06 CIN	22	17	11	M6	16	9
I117-26 M05 CIN	26	20,5	13	M5	13	10
I117-26 M06 CIN	26	20,5	13	M6	16	11
I117-26 M08 CIN	26	20,5	13	M8	16	12
I117-32 M05 CIN	32	24	15	M5	16	14
I117-32 M06 CIN	32	24	15	M6	16	16
I117-32 M08 CIN	32	24	15	M8	16	18
I117-45 M10 CIN	45	32	21	M10	16	35
I117-45 M12 CIN	45	32	21	M12	20	39

ART. 1118

GEAR STICK WITH THREADED HOLE

MATERIAL:

Reinforced polyamide.
Oils and greases resistant.

SURFACE:

Satin.

COLOUR:

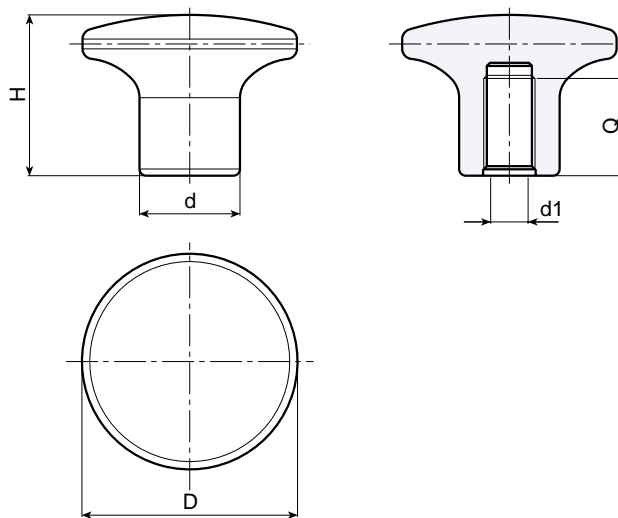
Black (RAL 9011).

HOLE :

Female threaded blind hole obtained by moulding the plastic.

SPECIAL REQUESTS:

- It is possible to supply colours as shown in the table at page 23, on request and for quantities.



Art.	D	H	d	d1	Q	Weight (gr)
I118-22 M04	22	17	11	M4	12	4
I118-22 M05	22	17	11	M5	12	4
I118-22 M06	22	17	11	M6	12	4
I118-26 M05	26	20,5	13	M5	16	6
I118-26 M06	26	20,5	13	M6	16	6
I118-26 M08	26	20,5	13	M8	16	6
I118-32 M05	32	24	15	M5	18	10
I118-32 M06	32	24	15	M6	18	10
I118-32 M08	32	24	15	M8	18	10
I118-45 M08	45	32	21	M8	27	26
I118-45 M10	45	32	21	M10	27	25
I118-45 M12	45	32	21	M12	27	25
I118-45 M14	45	32	21	M14	27	23
I118-45 M16	45	32	21	M16	27	20



BOTECA

ART. 1119

GEAR STICK WITH THREADED STUD

MATERIAL:

Reinforced polyamide.
Oils and greases resistant.

SURFACE:

Satin.

COLOUR:

Black (RAL 9011).

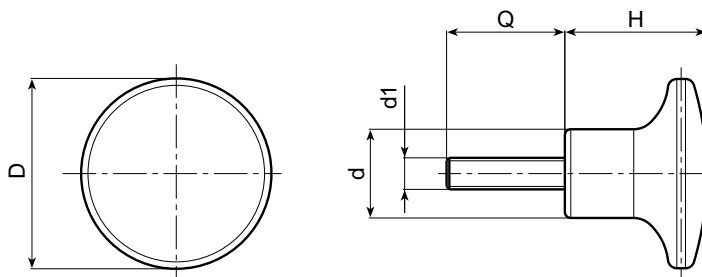
MAIN INSERT:

Zinc plated steel threaded stud.



SPECIAL REQUESTS:

- It is possible to supply the inserts in different materials, on request and for quantities.
- It is possible to supply the inserts with different lengths, on request and for quantities.
- It is possible to supply colours as shown in the table at page 23, on request and for quantities.



Art.	D	H	d	d1	Q	Weight (gr)
I119-22 M04	22	17	11	M4	16-20-30	5-6-8
I119-22 M05	22	17	11	M5	16-20-30	7-8-9
I119-22 M06	22	17	11	M6	16-20-30	9-10-12
I119-26 M05	26	20,5	13	M5	16-20-30	9-10-11
I119-26 M06	26	20,5	13	M6	16-20-30	11-12-14
I119-26 M08	26	20,5	13	M8	16-20-30	22-28-30
I119-32 M05	32	24	15	M5	16-20-30	13-14-16
I119-32 M06	32	24	15	M6	16-20-30	15-16-18
I119-32 M08	32	24	15	M8	20-30-40	20-26-28
I119-45 M08	45	32	21	M8	20-30	39-42
I119-45 M10	45	32	21	M10	20-30	46-51
I119-45 M12	45	32	21	M12	20-40	58-72



ART. 1123

SHORT HANDLE WITH CAP AND THREADED INSERT

MATERIAL:

Reinforced polyamide.
Oils and greases resistant.

SURFACE:

Satin.

COLOUR:

Black (RAL 9011).

CENTRAL CAP:

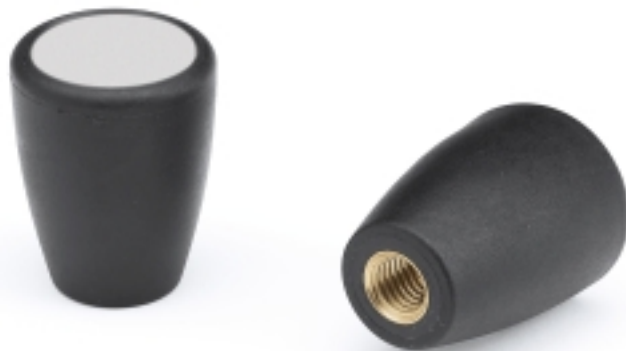
Grey polyamide (RAL 7035 code 13).

ALTERNATIVE CAP COLOUR:

Orange (RAL 2004 cod. 02).
Blue (RAL 5015 cod. 07).
Yellow (RAL 1021 cod.10).
Red (RAL 3000 cod.16).
Green (RAL 6024 cod.17).
Black (RAL 9011 cod. 01).

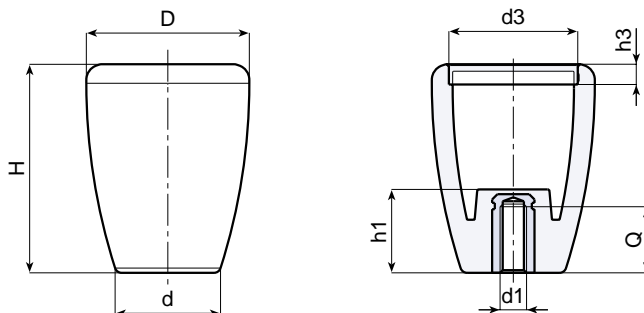
MAIN INSERT:

Brass blind threaded bush.



SPECIAL REQUESTS:

- It is possible to supply the inserts in different materials, on request and for quantities.
- It is possible to supply the short handle with colours as shown in the table at page 23, on request and for quantities.



PAD PRINTING SERVICE:

- Upon request and for special quantities caps can be supplied with customized pad printing.



Art.	D	H	d	h1	d3	h3	d1	Q	Weight (gr)
I123-43 M08	43	55	27	22	34	5,5	M8	16	37
I123-43 M10	43	55	27	22	34	5,5	M10	15	38
I123-43 M12	43	55	27	22	34	5,5	M12	15	40



BOTECA

ART. 1124

SHORT HANDLE WITH CAP AND THREADED HOLE

MATERIAL:

Reinforced polyamide.
Oils and greases resistant.

SURFACE:

Satin.

COLOUR:

Black (RAL 9011).

CENTRAL CAP:

Grey polyamide (RAL 7035 code 13).

ALTERNATIVE CAP COLOUR:

Orange (RAL 2004 cod. 02).
Blue (RAL 5015 cod. 07).
Yellow (RAL 1021 cod.10).
Red (RAL 3000 cod.16).
Green (RAL 6024 cod.17).
Black (RAL 9011 cod. 01)..

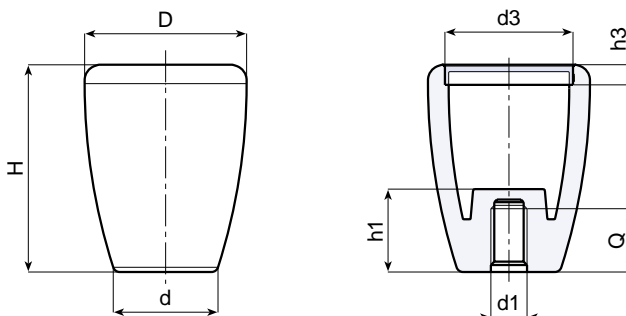
HOLE :

Female threaded blind hole obtained by moulding the plastic.



SPECIAL REQUESTS:

- It is possible to supply the short handle with colours as shown in the table at page 23, on request and for quantities.



PAD PRINTING SERVICE:

- Upon request and for special quantities caps can be supplied with customized pad printing.



Art.	D	H	d	h1	d3	h3	d1	Q	Weight (gr)
I124-43 M08	43	55	27	22	34	5,5	M8	18	34
I124-43 M10	43	55	27	22	34	5,5	M10	18	32
I124-43 M12	43	55	27	22	34	5,5	M12	18	30



BOTECA

ART. 1125

SHORT HANDLE WITH CAP AND SELF-FIX HOLE

MATERIAL:

Reinforced polyamide.
Oils and greases resistant.

SURFACE:

Satin.

COLOUR:

Black (RAL 9011).

CENTRAL CAP:

Grey polyamide (RAL 7035 code 13).

ALTERNATIVE CAP COLOUR:

Orange (RAL 2004 cod. 02).
Blue (RAL 5015 cod. 07).
Yellow (RAL 1021 cod.10).
Red (RAL 3000 cod.16).
Green (RAL 6024 cod.17).
Black (RAL 9011 cod. 01).

HOLE :

Female smooth blind hole obtained by moulding the plastic.

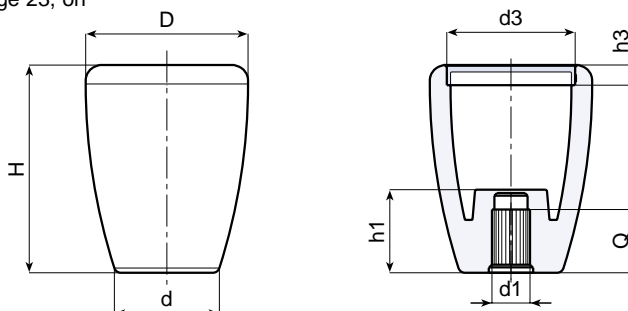
FIXING:

Push fit.



SPECIAL REQUESTS:

- It is possible to supply the short handle with colours as shown in the table at page 23, on request and for quantities.



PAD PRINTING SERVICE:

- Upon request and for special quantities caps can be supplied with customized pad printing.



Art.	D	H	d	h1	d3	h3	d1	Q	Weight (gr)
I125-43 D08	43	55	27	22	34	5,5	D8	16	34
I125-43 D10	43	55	27	22	34	5,5	D10	16	32
I125-43 D12	43	55	27	22	34	5,5	D12	16	30



BOTECA

SHORT HANDLE WITH CAP AND THREADED INSERT

MATERIAL:

Reinforced polyamide.
Oils and greases resistant.

SURFACE:

Satin.

COLOUR:

Black (RAL 9011).

CENTRAL CAP:

Grey polyamide (RAL 7035 code 13).

ALTERNATIVE CAP COLOUR:

Orange (RAL 2004 cod. 02).
Blue (RAL 5015 cod. 07).
Yellow (RAL 1021 cod.10).
Red (RAL 3000 cod.16).
Green (RAL 6024 cod.17).
Black (RAL 9011 cod. 01).

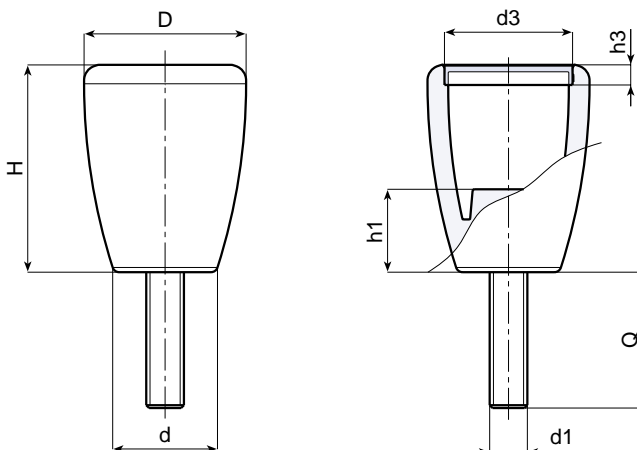
MAIN INSERT:

Zinc plated steel threaded stud.



SPECIAL REQUESTS:

- It is possible to supply the inserts with different lengths, on request and for quantities.
- It is possible to supply the inserts in different materials, on request and for quantities.
- It is possible to supply the short handle with colours as shown in the table at page 23, on request and for quantities.



PAD PRINTING SERVICE:

- Upon request and for special quantities caps can be supplied with customized pad printing.



Art.	D	H	d	h1	d3	h3	d1	Q	Weight (gr)
1126-43 M08	43	55	27	22	34	5,5	M8	20-30	47-50
1126-43 M10	43	55	27	22	34	5,5	M10	20-40	52-62
1126-43 M12	43	55	27	22	34	5,5	M12	20-40	62-76



ART. 1130

GEAR STICK WITH CAP AND THREADED STUD

MATERIAL:

Reinforced polyamide.
Oils and greases resistant.

SURFACE:

Satin.

COLOUR:

Black (RAL 9011).

CENTRAL CAP:

Grey polyamide (RAL 7035 code 13).

ALTERNATIVE CAP COLOUR:

Orange (RAL 2004 cod. 02).
Blue (RAL 5015 cod. 07).
Yellow (RAL 1021 cod.10).
Red (RAL 3000 cod.16).
Green (RAL 6024 cod.17).
Black (RAL 9011 cod. 01).

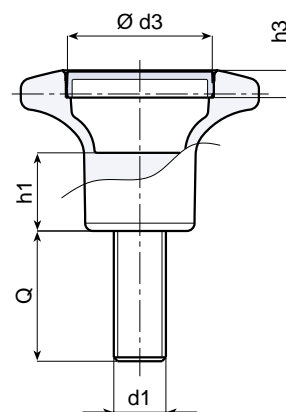
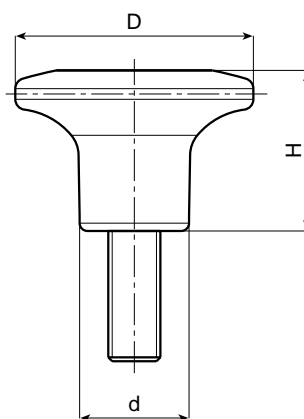
MAIN INSERT:

Zinc plated steel threaded stud.



SPECIAL REQUESTS:

- It is possible to supply the inserts with different lengths, on request and for quantities.
- It is possible to supply the inserts in different materials, on request and for quantities.
- It is possible to supply the gear stick with colours as shown in the table at page 23, on request and for quantities.



PAD PRINTING SERVICE:

- Upon request and for special quantities caps can be supplied with customized pad printing.



Art.	D	H	d	h1	d3	h3	d1	Q	Weight (gr)
1130-45 M08	45	31	21	15	28	5	M8	20-30	32-36
1130-45 M10	45	31	21	15	28	5	M10	20-30	40-45
1130-45 M12	45	31	21	15	28	5	M12	20-40	53-65



BOTECA

ART. 1131

GEAR STICK WITH CAP AND THREADED INSERT

MATERIAL:

Reinforced polyamide.
Oils and greases resistant.

SURFACE:

Satin.

COLOUR:

Black (RAL 9011).

CENTRAL CAP:

Grey polyamide (RAL 7035 code 13).

ALTERNATIVE CAP COLOUR:

Orange (RAL 2004 cod. 02).

Blue (RAL 5015 cod. 07).

Yellow (RAL 1021 cod.10).

Red (RAL 3000 cod.16).

Green (RAL 6024 cod.17).

Black (RAL 9011 cod. 01).

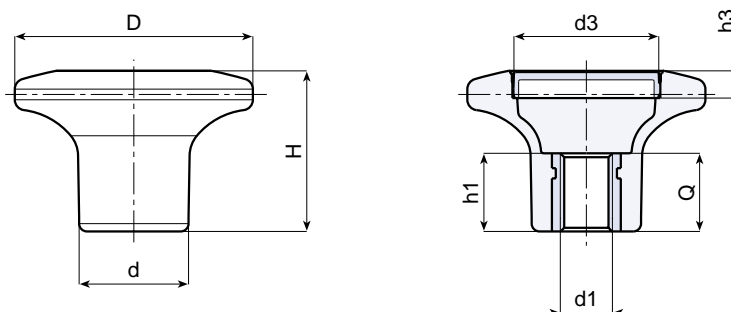
MAIN INSERT:

Brass right through threaded bush.



SPECIAL REQUESTS:

- It is possible to supply the inserts in different materials, on request and for quantities.
- It is possible to supply the gear stick with colours as shown in the table at page 23, on request and for quantities.



PAD PRINTING SERVICE:

- Upon request and for special quantities caps can be supplied with customized pad printing.



Art.	D	H	d	h1	d3	h3	d1	Q	Weight (gr)
I131-45 M08	45	31	21	15	28	5	M8	15	18
I131-45 M10	45	31	21	15	28	5	M10	15	17
I131-45 M12	45	31	21	15	28	5	M12	15	15
I131-45 M14	45	31	21	15	28	5	M14	15	14



BOTECA

ART. 1132

GEAR STICK WITH CAP AND THREADED HOLE

MATERIAL:

Reinforced polyamide.
Oils and greases resistant.

SURFACE:

Satin.

COLOUR:

Black (RAL 9011).

CENTRAL CAP:

Grey polyamide (RAL 7035 code 13).

ALTERNATIVE CAP COLOUR:

Orange (RAL 2004 cod. 02).
Blue (RAL 5015 cod. 07).
Yellow (RAL 1021 cod.10).
Red (RAL 3000 cod.16).
Green (RAL 6024 cod.17).
Black (RAL 9011 cod. 01).

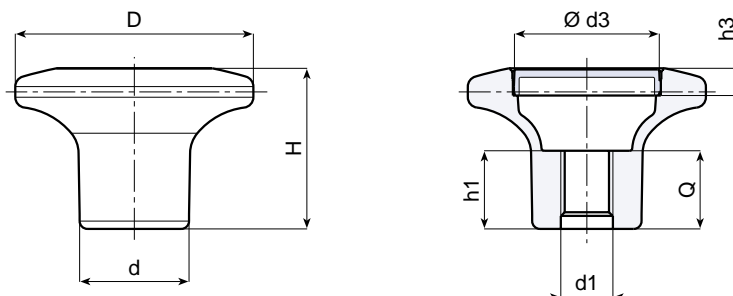
HOLE :

Female threaded blind hole obtained by moulding the plastic.



SPECIAL REQUESTS:

- It is possible to supply the gear stick with colours as shown in the table at page 23, on request and for quantities.



PAD PRINTING SERVICE:

- Upon request and for special quantities caps can be supplied with customized pad printing.



Art.	D	H	d	h1	d3	h3	d1	Q	Weight (gr)
I132-45 M08	45	31	21	15	28	5	M8	15	16
I132-45 M10	45	31	21	15	28	5	M10	15	15
I132-45 M12	45	31	21	15	28	5	M12	15	14



BOTECO

ART. 1113

SHORT HANDLE WITH LEVER ARM

MATERIAL:

Reinforced polyamide.
Oils and greases resistant.

SURFACE:

Satin.

COLOUR:

Black (RAL 9011).

LEVER ARM:

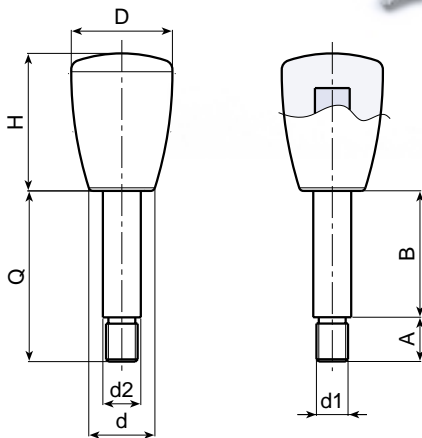
Partially threaded zinc plated steel stud.

FIXING:

Push fit (cannot be dismantled).

SPECIAL REQUESTS:

- It is possible to supply the inserts with custom size, on request and for quantities.
- It is possible to supply the inserts with different treatment-finishes, on request and for quantities.
- It is possible to supply colours as shown in the table at page 23, on request and for quantities.



Art.	D	H	d	A	B	d2	d1	Q	Weight (gr)
I113-25 M08x40	25	34	17	10	30	10	M8	40	42
I113-25 M08x55	25	34	17	10	45	10	M8	55	48
I113-25 M08x80	25	34	17	10	70	10	M8	80	75
I113-32 M10x55	32	43	21	15	40	12	M10	55	86
I113-32 M10x65	32	43	21	15	50	12	M10	65	97
I113-32 M12x65	32	43	21	15	50	14	M12	65	114

ART. 1500

SHORT HANDLE WITH SELF-FIX HOLE

MATERIAL:

Reinforced polyamide.
Oils and greases resistant.

SURFACE:

Satin.

COLOUR:

Black (RAL 9011).

HOLE :

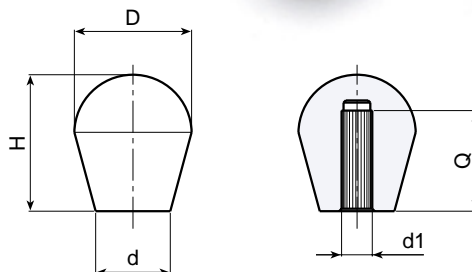
Female smooth blind hole obtained by moulding the plastic.

FIXING:

Push fit.

SPECIAL REQUESTS:

- It is possible to supply colours as shown in the table at page 23, on request and for quantities.



Art.	D	H	d	d1	Q	Weight (gr)
I500-30 D10	27	32	18	D10	23	11
I500-30 D12	27	32	18	D12	22	11
I500-30 D14	27	32	18	D14	20	10
I500-37 D16	37	43	24	D16	30	33
I500-37 D18	37	43	24	D18	30	31



BOTECA