

ART. A148

LOCKING HANDLE WITH THREADED INSERT

MATERIAL:
Reinforced polyamide.
Oils and greases resistant.

SURFACE:
Satin.

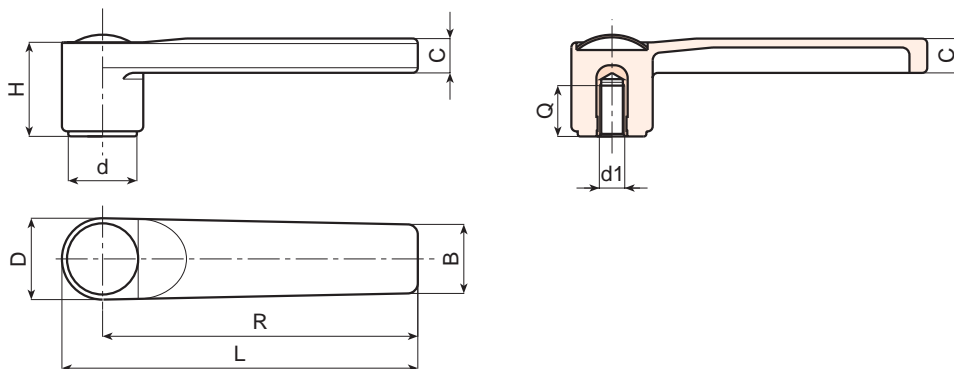
COLOUR:
Black (RAL 9011).

CENTRAL CAP:
Grey polyamide (RAL 7035 code 13).

MAIN INSERT:
Brass blind threaded bush.

SPECIAL REQUESTS:

- It is possible to supply the inserts in different materials, on request and for quantities.



Art.	L	R	H	D	c	B	h1	d	d1	Q	Weight (gr)
A148125.TM1001	139	125	37	31	13	26	35	27,5	M10	20	78
A148125.TM1201	139	125	37	31	13	26	35	27,5	M12	18	84
A148125.TM1401	139	125	37	31	13	26	35	27,5	M14	19	90



BOTECA

ART. A149

LOCKING HANDLE WITH THREADED INSERT

MATERIAL:
Reinforced polyamide.
Oils and greases resistant.

SURFACE:
Satin.

COLOUR:
Black (RAL 9011).

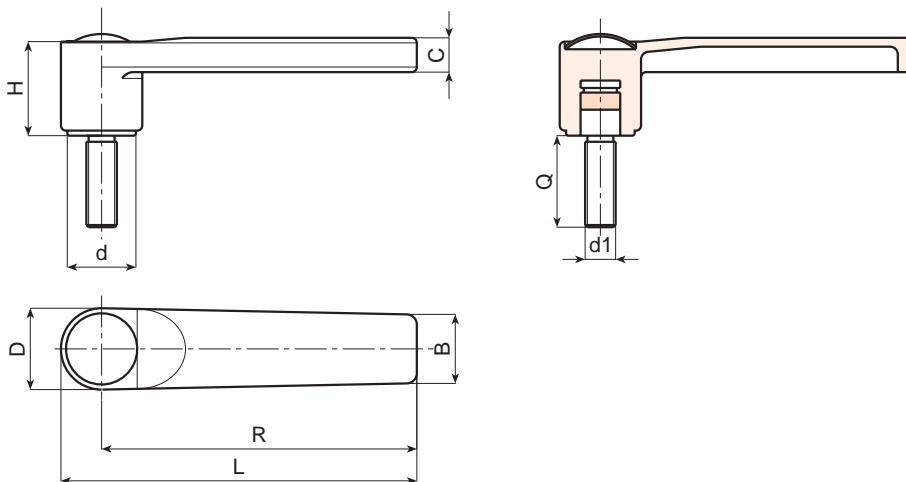
CENTRAL CAP:
Grey polyamide (RAL 7035 code 13).

MAIN INSERT:
Zinc plated steel threaded stud.



SPECIAL REQUESTS:

- It is possible to supply the inserts with different lengths, on request and for quantities.
- It is possible to supply the inserts in different materials, on request and for quantities.



Art.	L	R	H	D	c	B	h1	d	d1	Q	LM	Weight (gr)
A149125.TM1001	139	125	37	31	13	26	35	27,5	M10	20-30-50	80	91-96-106
A149125.TM1201	139	125	37	31	13	26	35	27,5	M12	20-30-50	80	120-112-140
A149125.TM1401	139	125	37	31	13	26	35	27,5	M14	30-40-50	80	148-156-166

LM = Maximum mouldable length

FIXED AND INDEXED LEVERS



BOTECA

ART. A150

“EUROMODEL” FIXED LEVER WITH THREADED INSERT

MATERIAL:

Special high resistance glass fibre reinforced technopolymer.
Oils and greases resistant.

SURFACE:

Satin.

COLOUR:

Black (RAL 9011).

CENTRAL CAP:

Grey polyamide (RAL 7035 code 13).

MAIN INSERT:

Zinc plated steel right through threaded bush.

ALTERNATIVE CAP COLOUR:

Orange (RAL 2004 code 02).

Blue (RAL 5015 code 07).

Yellow (RAL 1021 code 10).

Red (RAL 3000 code 16).

Green (RAL 6024 code 17).

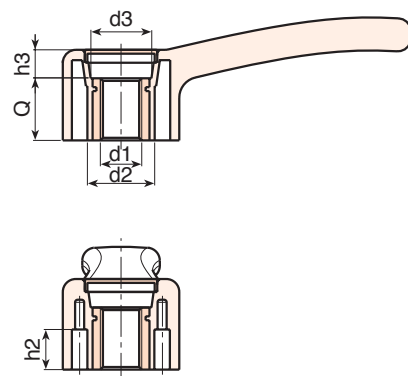
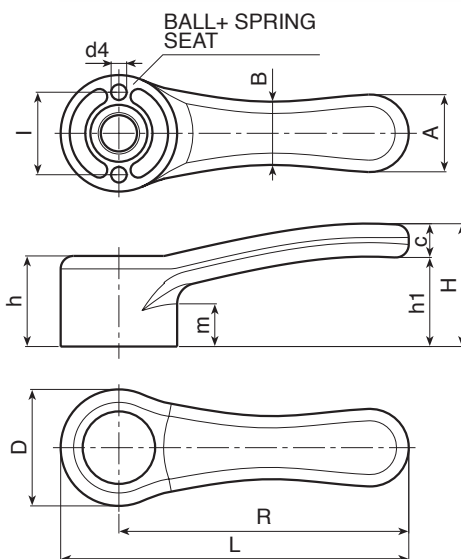
Black (RAL 9011 code 01).

**PROTECTED
MODEL**



SPECIAL REQUESTS:

- Fixing springs and balls (zinc plated steel) available upon request.
- It is possible to supply the inserts in different materials, on request and for quantities.
- It is possible to supply the inserts with different treatment-finishes, on request and for quantities.
- It is possible to supply the push fit central cap with colours as shown in the table at page 29, on request.
- It is possible to supply colours as shown in the table at page 29, on request and for quantities.



Art.	R	L	D	H	h	h1	h2	h3	m	l	A	B	c	d2	d3	d4	d1	Q	Weight (gr)
A150068.TM0601	68	84,5	33	37	25	27	11,5	9	12	24	20	17	10	20	16	4	M06	16	42
A150068.TM0801	68	84,5	33	37	25	27	11,5	9	12	24	20	17	10	20	16	4	M08	16	40
A150068.TM1001	68	84,5	33	37	25	27	11,5	9	12	24	20	17	10	20	16	4	M10	16	40
A150086.TM0801	86	104	36	40	28	29	14	12	13	26	24	19	11	22	18	5	M08	16	72
A150086.TM1001	86	104	36	40	28	29	14	12	13	26	24	19	11	22	18	5	M10	16	71
A150086.TM1201	86	104	36	40	28	29	14	12	13	26	24	19	11	22	18	5	M12	16	70
A150112.TM1201	112	134,5	45	47	36	35	14,5	12	16	32	30	24	13	26	23,5	6	M12	24	99
A150112.TM1401	112	134,5	45	47	36	35	14,5	12	16	32	30	24	13	26	23,5	6	M14	24	98
A150112.TM1601	112	134,5	45	47	36	35	14,5	12	16	32	30	24	13	26	23,5	6	M16	24	95
A150142.TM1401	142	169,5	55	52	40	36	18	13	17,5	40	37	30	16	32	28	8	M14	27	240
A150142.TM1601	142	169,5	55	52	40	36	18	13	17,5	40	37	30	16	32	28	8	M16	27	235
A150142.TM1801	142	169,5	55	52	40	36	18	13	17,5	40	37	30	16	32	28	8	M18	27	230

ART. A151

“EUROMODEL” FIXED LEVER WITH SMOOTH INSERT

PROTECTED MODEL

MATERIAL:

Special high resistance glass fibre reinforced technopolymer.
Oils and greases resistant.

SURFACE:

Satin.

COLOUR:

Black (RAL 9011).

CENTRAL CAP:

Grey polyamide (RAL 7035 code 13).

MAIN INSERT:

Zinc plated steel right through bored bush with H7 tolerance.

ALTERNATIVE CAP COLOUR:

Orange (RAL 2004 code 02).

Blue (RAL 5015 code 07).

Yellow (RAL 1021 code 10).

Red (RAL 3000 code 16).

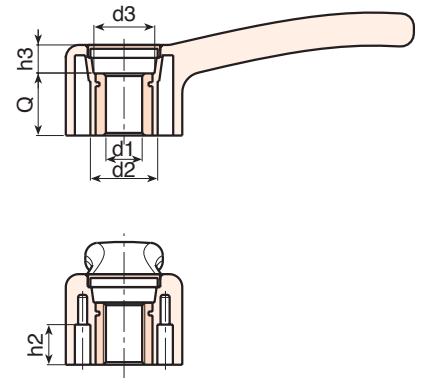
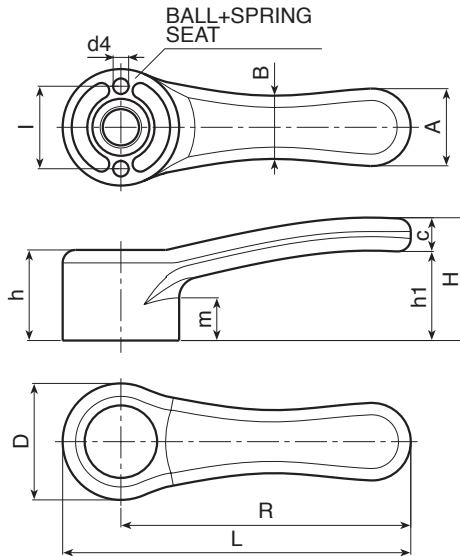
Green (RAL 6024 code 17).

Black (RAL 9011 code 01).



SPECIAL REQUESTS:

- Fixing springs and balls (zinc plated steel) available upon request.
- It is possible to supply the inserts with d1 diameter by customer design, on request and for quantities.
- It is possible to supply the inserts in different materials, on request and for quantities.
- It is possible to supply the inserts with different treatment-finishes, on request and for quantities.
- It is possible to supply the push fit central cap with colours as shown in the table at page 29, on request.
- It is possible to supply colours as shown in the table at page 29, on request and for quantities.



Art.	R	L	D	H	h	h1	h2	h3	m	l	A	B	c	d2	d3	d4	dm	d1 H7	Q	Weight (gr)
A151068.TD0501	68	84,5	33	37	25	27	11,5	9	12	24	20	17	10	20	16	4	10	D05	16	45
A151068.TD1001	68	84,5	33	37	25	27	11,5	9	12	24	20	17	10	20	16	4	10	D10	16	44
A151086.TD0501	86	104	36	40	28	29	14	12	13	26	24	19	11	22	18	5	12	D05	16	65
A151086.TD1001	86	104	36	40	28	29	14	12	13	26	24	19	11	22	18	5	12	D10	16	61
A151112.TD0501	112	134,5	45	47	36	35	14,5	12	16	32	30	24	13	26	23,5	6	16	D05	24	128
A151112.TD1201	112	134,5	45	47	36	35	14,5	12	16	32	30	24	13	26	23,5	6	16	D12	24	124
A151142.TD0501	142	169,5	55	52	40	36	18	13	17,5	40	37	30	16	32	28	8	20	D05	27	250
A151142.TD1401	142	169,5	55	52	40	36	18	13	17,5	40	37	30	16	32	28	8	20	D14	27	240

INDEXED CLAMPING LEVER WITH THREADED INSERT

MATERIAL:
Special high resistance glass fibre reinforced technopolymer.
Oils and greases resistant.

SURFACE:
Satin.

LEVER BODY AND INSERT COLOUR:
Black (RAL 9011).

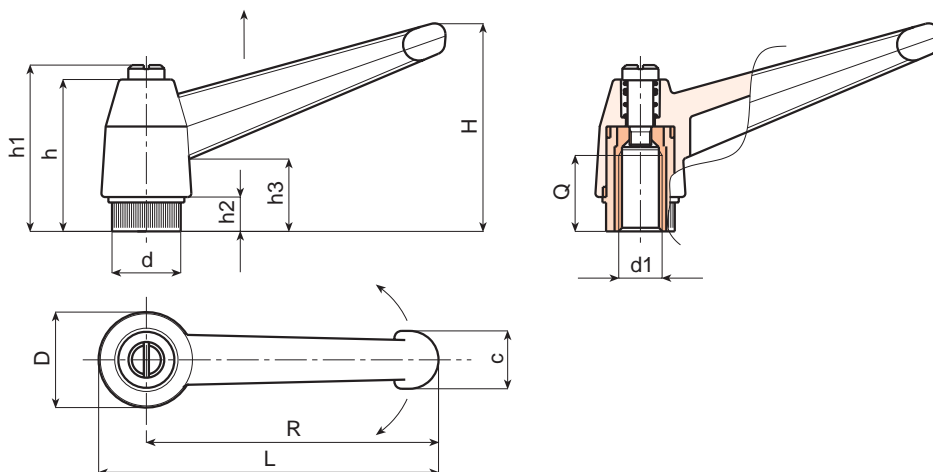
MAIN INSERT:
Zinc plated steel blind threaded bush.

FIXING SCREW:
Black-oxide treated screw with head for fitting screwdriver.

SPRING:
Zinc plated steel spring.

SPECIAL REQUESTS:

- It is possible to supply the inserts in different materials, on request and for quantities.
- It is possible to supply the lever body with colours as shown in the table at page 29, on request and for quantities.



Art.	L	R	H	D	d	c	h	h1	h2	h3	d1	Q	Weight (gr)
A522043.TM0401	52	43	33	17	11,5	11	27	30	6	14	M04	10	14
A522043.TM0501	52	43	33	17	11,5	11	27	30	6	14	M05	9	14
A522043.TM0601	52	43	33	17	11,5	11	27	30	6	14	M06	9	14
A522065.TM0601	77	65	45	23	15	13	34	38	8	17	M06	15	28
A522065.TM0801	77	65	45	23	15	13	34	38	8	17	M08	15	26
A522065.TM1001	77	65	45	23	15	13	34	38	8	17	M10	13	28
A522083.TM0801	97	83	57	27	19	16	43	47	10	23	M08	17	52
A522083.TM1001	97	83	57	27	19	16	43	47	10	23	M10	17	48
A522083.TM1201	97	83	57	27	19	16	43	47	10	23	M12	16	48
A522104.TM1001	121	104	70	33	24	19	50	53	11	26	M10	20	114
A522104.TM1201	121	104	70	33	24	19	50	53	11	26	M12	22	106
A522104.TM1401	121	104	70	33	24	19	50	53	11	26	M14	21	100
A522104.TM1601	121	104	70	33	24	19	50	53	11	26	M16	23	100

INDEXED CLAMPING LEVER WITH THREADED STUD

MATERIAL:
Special high resistance glass fibre reinforced technopolymer.
Oils and greases resistant.

SURFACE:
Satin.

LEVER BODY AND INSERT COLOUR:
Black (RAL 9011).

MAIN INSERT:
Zinc plated steel threaded stud.

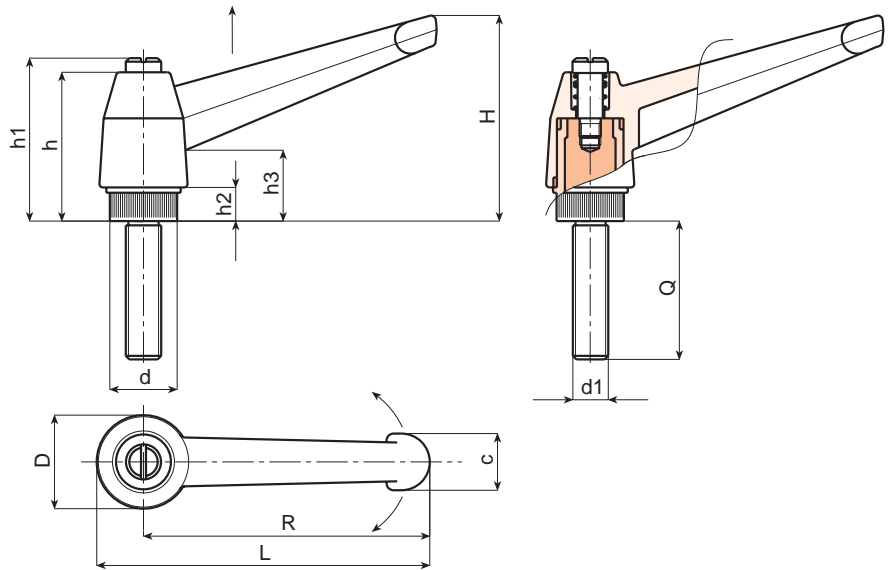
FIXING SCREW:
Black-oxide treated screw with head for fitting screwdriver.

SPRING:
Zinc plated steel spring.



SPECIAL REQUESTS:

- It is possible to supply the inserts with different lengths, on request and for quantities.
- It is possible to supply the inserts in different materials, on request and for quantities.
- It is possible to supply the lever body with colours as shown in the table at page 29, on request and for quantities.



Art.	L	R	H	D	d	c	h	h1	h2	h3	d1	Q	LM	Weight (gr)
A523043.TM04X..01	52	43	33	17	11,5	11	27	30	6	14	M04	10-16-20-25-30-40	70	16-16-17-18-18-19
A523043.TM05X..01	52	43	33	17	11,5	11	27	30	6	14	M05	10-16-20-25-30-40	70	16-17-17-17-18-19
A523043.TM06X..01	52	43	33	17	11,5	11	27	30	6	14	M06	10-16-20-25-30-40	70	18-18-19-20-20-21
A523065.TM06X..01	77	65	45	23	15	13	34	38	8	17	M06	16-20-25-30-40	80	33-34-35-37
A523065.TM08X..01	77	65	45	23	15	13	34	38	8	17	M08	16-20-25-30-35-40-45-50	80	35-37-38-40-42-43-44-46
A523083.TM08X..01	97	83	57	27	19	16	43	47	10	23	M08	20-25-30-35-40-50-60	80	58-59-61-62-64-67-70
A523083.TM10X..01	97	83	57	27	19	16	43	47	10	23	M10	20-25-30-35-40-50-60	80	67-70-72-74-77-82-87
A523083.TM12X..01	97	83	57	27	19	16	43	47	10	23	M12	20-25-30-35-40-50-60	80	79-82-86-89-93-100-107
A523104.TM10X..01	121	104	70	33	24	19	50	53	11	26	M10	20-30-40-50-60	80	109-114-119-124-129
A523104.TM12X..01	121	104	70	33	24	19	50	53	11	26	M12	20-30-40-50-60	80	115-122-129-136-143
A523104.TM14X..01	121	104	70	33	24	19	50	53	11	26	M14	30-40-50-60-70	80	140-150-160-170-180
A523104.TM16X..01	121	104	70	33	24	19	50	53	11	26	M16	30-40-50-60-70	80	156-170-184-198-212

LM = Maximum mouldable length

Enter the stud length in the two .. of the code number



ART. A524

FIXED LEVER WITH THREADED INSERT

MATERIAL:
Reinforced polyamide.
Oils and greases resistant.

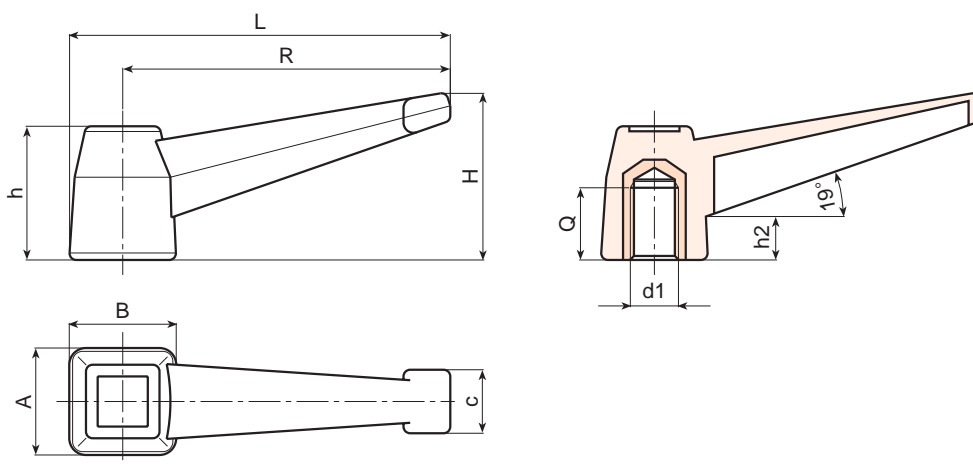
SURFACE:
Satin.

COLOUR:
Black (RAL 9011).

MAIN INSERT:
Brass blind threaded bush.
(*) Zinc plated steel blind threaded bush.

SPECIAL REQUESTS:

- It is possible to supply the inserts in different materials, on request and for quantities.



Art.	L	R	H	A	B	c	h	h2	d1	Q	Weight (gr)
A524098.TM1201	112	96	51	32	32	19	40	12	M12	19	64
A524098.TM1401	112	96	51	32	32	19	40	12	M14	19	68
A524098.TM1601	112	96	51	32	32	19	40	12	(*) M16	16	80

(*) Zinc plated steel blind threaded bush



BOTECA

ART. A525

FIXED LEVER WITH THREADED STUD

MATERIAL:
Reinforced polyamide.
Oils and greases resistant.

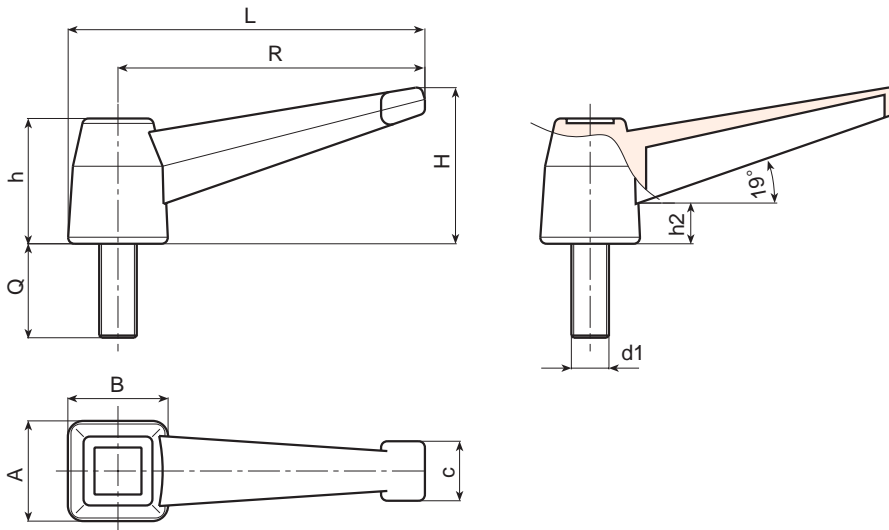
SURFACE:
Satin.

COLOUR:
Black (RAL 9011).

MAIN INSERT:
Zinc plated steel threaded stud.

SPECIAL REQUESTS:

- It is possible to supply the inserts with different lengths, on request and for quantities.
- It is possible to supply the inserts in different materials, on request and for quantities.



Art.	L	R	H	A	B	c	h	h2	d1	Q	LM	Weight (gr)
A52598.TM10X..01	112	96	51	32	32	19	40	12	M10	40	50	95
A52598.TM12X..01	112	96	51	32	32	19	40	12	M12	20-40	50	99-113
A52598.TM14X..01	112	96	51	32	32	19	40	12	M14	20-25-40	50	105-125
A52598.TM16X..01	112	96	51	32	32	19	40	12	M16	30-40	50	127-141

LM = Maximum mouldable length

Enter the stud length in the two .. of the code number

FIXED AND INDEXED LEVERS



BOTECA

ART. A528

FIXED LEVER WITH THREADED INSERT

MATERIAL:
Reinforced polyamide.
Oils and greases resistant.

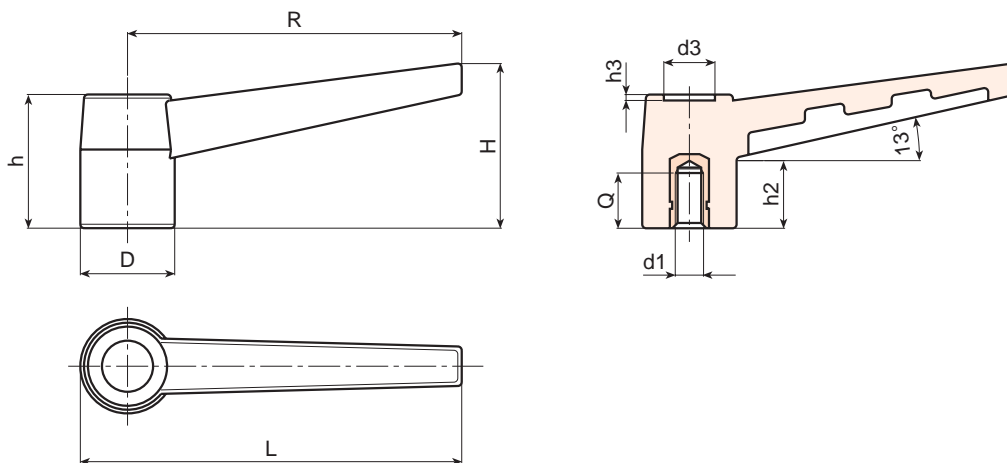
SURFACE:
Satin.

COLOUR:
Black (RAL 9011).

MAIN INSERT:
Brass blind threaded bush.

SPECIAL REQUESTS:

- It is possible to supply the inserts in different materials, on request and for quantities.
- It is possible to supply colours as shown in the table at page 29, on request and for quantities.



Art.	L	R	H	D	h	h2	h3	d3	d1	Q	Weight (gr)
A528043.TM0501	50	43	21,5	15	19	9	1	7	M05	10	8
A528043.TM0601	50	43	21,5	15	19	9	1	7	M06	10	8
A528068.TM0601	78	68	36	21	28,5	11	2	10	M06	10	24
A528068.TM0801	78	68	36	21	28,5	11	2	10	M08	15	22
A528083.TM0601	93	83	40	24	34	18	2	13	M06	10	30
A528083.TM0801	93	83	40	24	34	18	2	13	M08	15	32
A528083.TM1001	93	83	40	24	34	18	2	13	M10	14	32



BOTECA

ART. A529

FIXED LEVER WITH THREADED STUD

MATERIAL:
Reinforced polyamide.
Oils and greases resistant.

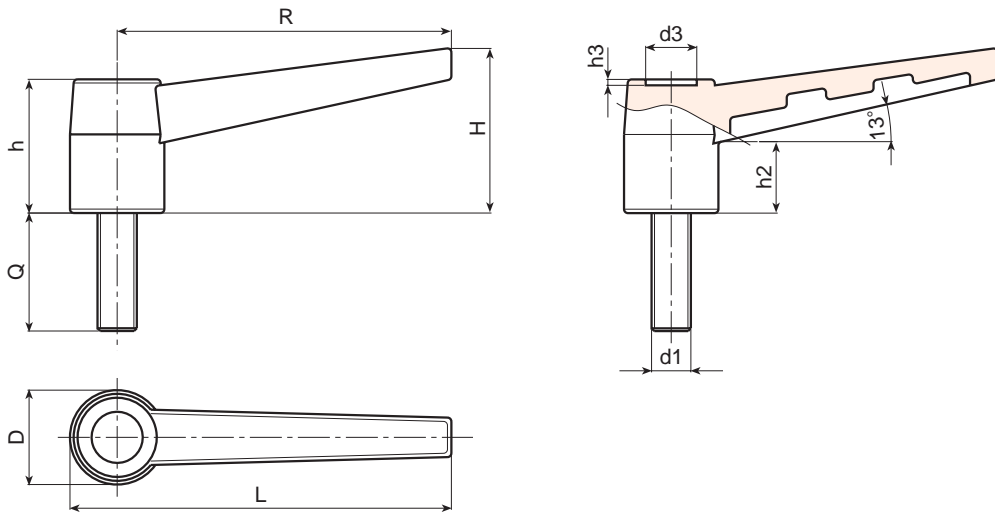
SURFACE:
Satin.

COLOUR:
Black (RAL 9011).

MAIN INSERT:
Zinc plated steel threaded stud.

SPECIAL REQUESTS:

- It is possible to supply the inserts with different lengths, on request and for quantities.
- It is possible to supply the inserts in different materials, on request and for quantities.
- It is possible to supply colours as shown in the table at page 29, on request and for quantities.



Art.	L	R	H	D	h	h2	h3	d3	d1	Q	LM	Weight (gr)
A529043.TM05X..01	50	43	21,5	15	19	9	1	7	M05	10-20-30	50	9-10-11
A529043.TM06X..01	50	43	21,5	15	19	9	1	7	M06	10-20-30-40	50	10-12-14-16
A529068.TM06X..01	78	68	36	21	28,5	11	2	10	M06	10-20-30-40	50	25-27-29-31
A529068.TM08X..01	78	68	36	21	28,5	11	2	10	M08	16-20-30-40	50	30-32-36-39
A529083.TM06X..01	93	83	40	24	34	18	2	13	M06	20-30	50	41-43
A529083.TM08X..01	93	83	40	24	34	18	2	13	M08	20-30-40-50-60	50	44-47-50-53-56
A529083.TM10X..01	93	83	40	24	34	18	2	13	M10	20-30-40	50	48-53-58

LM = Maximum mouldable length

Enter the stud length in the two .. of the code number



BOTECA

ART. A562

INDEXED CLAMPING LEVER WITH PLASTIC PUSH BUTTON AND THREADED INSERT

MATERIAL:
Special high resistance glass fibre reinforced technopolymer.
Oils and greases resistant.

SURFACE:
Satin.

LEVER BODY AND INSERT COLOUR:
Black (RAL 9011).

MAIN INSERT:
Brass blind threaded bush.

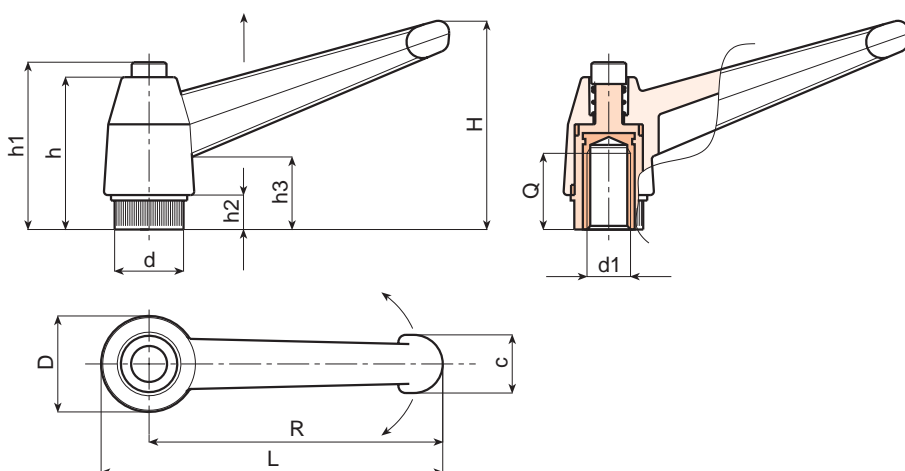
PUSH BUTTON:
Push button in black polyamide (RAL 9011).

SPRING:
Zinc plated steel spring.

ALTERNATIVE COLOURS FOR BUTTON:
Orange (RAL 2004 code 02).
Blue (RAL 5015 code 07).
Yellow (RAL 1021 code 10).
Red (RAL 3000 code 16).
Green (RAL 6024 code 17).
Grey (RAL 7035 code 13).

SPECIAL REQUESTS:

- It is possible to supply the inserts in different materials, on request and for quantities.
- It is possible to supply the lever body and button with colours as shown in the table at page 29, on request and for quantities.



Art.	L	R	H	D	d	c	h	h1	h2	h3	d1	Q	Weight (gr)
A562043.TM0401	52	43	33	17	11,5	11	27	32	6	14	M4	8	10
A562043.TM0501	52	43	33	17	11,5	11	27	32	6	14	M5	10	10
A562043.TM0601	52	43	33	17	11,5	11	27	32	6	14	M6	10	10
A562065.TM0601	77	65	45	23	15	13	34	39	8	17	M6	10	20
A562065.TM0801	77	65	45	23	15	13	34	39	8	17	M8	15	22
A562065.TM1001	77	65	45	23	15	13	34	39	8	17	M10	14	21
A562083.TM0801	97	83	57	27	19	16	43	48	9	23	M8	15	36
A562083.TM1001	97	83	57	27	19	16	43	48	9	23	M10	14	36
A562083.TM1201	97	83	57	27	19	16	43	48	9	23	M12	19	40
A562104.TM1001	121	104	70	34	24	19	50	56	11	26	M10	21	68
A562104.TM1201	121	104	70	34	24	19	50	56	11	26	M12	19	68
A562104.TM1401	121	104	70	34	24	19	50	56	11	26	M14	21	72
A562104.TM1601	121	104	70	34	24	19	50	56	11	26	M16	21	76

ART. A562 CIN

INDEXED CLAMPING LEVER WITH PLASTIC PUSH BUTTON AND STAINLESS STEEL THREADED INSERT

MATERIAL:
Special high resistance glass fibre reinforced technopolymer.
Oils and greases resistant.

SURFACE:
Satin.

LEVER BODY AND INSERT COLOUR:
Black (RAL 9011).

MAIN INSERT:
Stainless steel blind threaded bush (AISI 303).

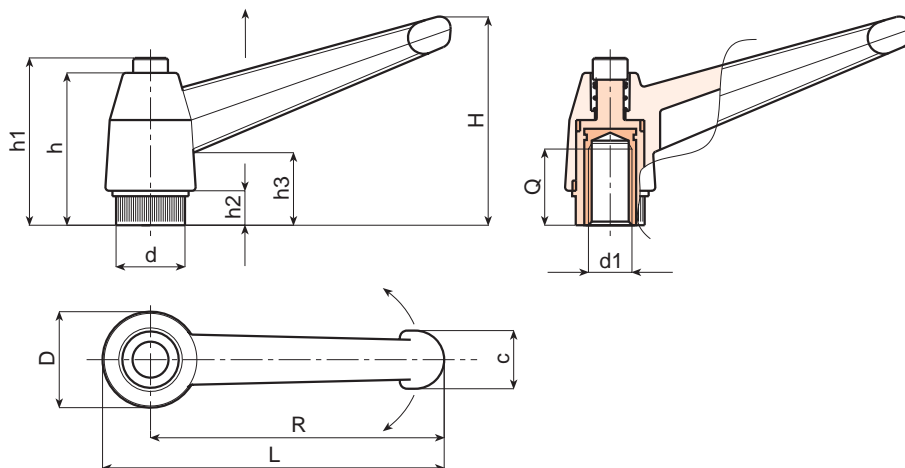
PUSH BUTTON:
Push button in black polyamide (RAL 9011).

SPRING:
Stainless steel spring (AISI 303).

SPECIAL REQUESTS:

- It is possible to supply the lever body and button with colours as shown in the table at page 29, on request and for quantities.

INOX



Art.	L	R	H	D	d	c	h	h1	h2	h3	d1	Q	Weight (gr)
A562043.TM0401 CIN	52	43	33	17	11,5	11	27	32	6	14	M4	8	13
A562043.TM0501 CIN	52	43	33	17	11,5	11	27	32	6	14	M5	10	13
A562043.TM0601 CIN	52	43	33	17	11,5	11	27	32	6	14	M6	10	14
A562065.TM0601 CIN	77	65	45	23	15	13	34	39	8	17	M6	10	24
A562065.TM0801 CIN	77	65	45	23	15	13	34	39	8	17	M8	15	25
A562065.TM1001 CIN	77	65	45	23	15	13	34	39	8	17	M10	14	25
A562083.TM0801 CIN	97	83	57	27	19	16	43	48	9	23	M8	15	46
A562083.TM1001 CIN	97	83	57	27	19	16	43	48	9	23	M10	14	47
A562083.TM1201 CIN	97	83	57	27	19	16	43	48	9	23	M12	19	48
A562104.TM1001 CIN	121	104	70	34	24	19	50	56	11	26	M10	21	72
A562104.TM1201 CIN	121	104	70	34	24	19	50	56	11	26	M12	19	76
A562104.TM1401 CIN	121	104	70	34	24	19	50	56	11	26	M14	21	77
A562104.TM1601 CIN	121	104	70	34	24	19	50	56	11	26	M16	21	77



BOTECA

ART. A563

INDEXED CLAMPING LEVER WITH PLASTIC PUSH BUTTON AND THREADED STUD

MATERIAL:
Special high resistance glass fibre reinforced technopolymer.
Oils and greases resistant.

SURFACE:
Satin.

LEVER BODY AND INSERT COLOUR:
Black (RAL 9011).

MAIN INSERT:
Zinc plated steel threaded stud.

PUSH BUTTON:
Push button in black polyamide (RAL 9011).

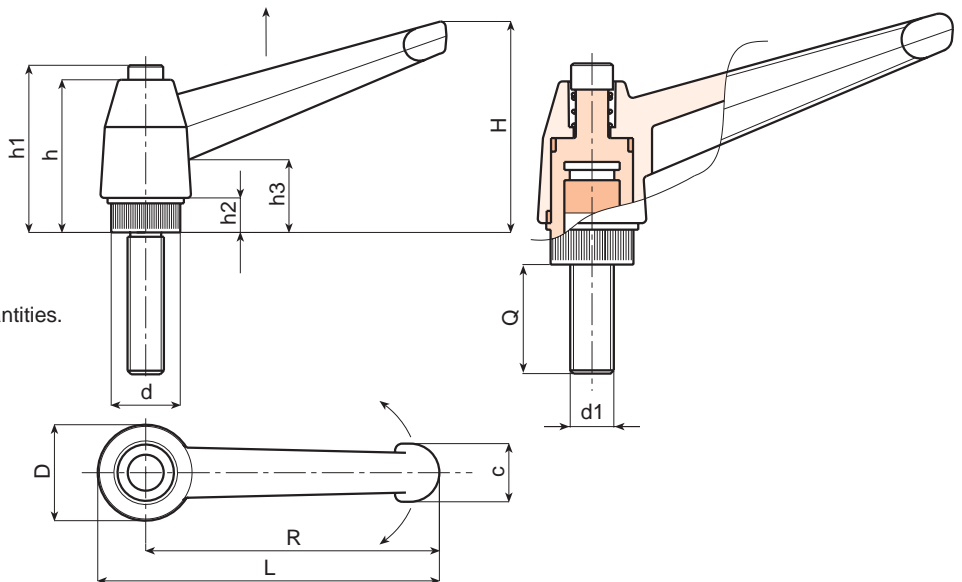
SPRING:
Zinc plated steel spring.

ALTERNATIVE COLOURS FOR BUTTON:
Orange (RAL 2004 code 02).
Blue (RAL 5015 code 07).
Yellow (RAL 1021 code 10).
Red (RAL 3000 code 16).
Green (RAL 6024 code 17).
Grey (RAL 7035 code 13).



SPECIAL REQUESTS:

- It is possible to supply the inserts with different lengths, on request and for quantities.
- It is possible to supply the inserts in different materials, on request and for quantities.
- It is possible to supply the lever body and button with colours as shown in the table at page 29, on request and for quantities.



Art.	L	R	H	D	d	c	h	h1	h2	h3	d1	Q	LM	Weight (gr)
A563043.TM04X..01	52	43	33	17	11,5	11	27	32	6	14	M4	10-15-20-25-30-40	70	8-8-9-9-10-11
A563043.TM05X..01	52	43	33	17	11,5	11	27	32	6	14	M5	10-16-20-25-30-40	70	11-12-13-13-14-14
A563043.TM06X..01	52	43	33	17	11,5	11	27	32	6	14	M6	10-16-20-25-30-35-40-50	70	11-12-14-15-16-17-18-20
A563065.TM06X..01	77	65	45	23	15	13	34	39	8	17	M6	16-20-25-30-35-40-45-50	80	22-23-24-25-26-27-28-29
A563065.TM08X..01	77	65	45	23	15	13	34	39	8	17	M8	16-20-25-30-35-40-45-50	80	25-26-27-29-30-32-33-35
A563065.TM10X..01	77	65	45	23	15	13	34	39	8	17	M10	20-25-30-35-40-50	80	31-33-36-39-41-46
A563083.TM08X..01	97	83	57	27	19	16	43	48	9	23	M8	20-25-30-35-40-50-60-70	80	42-44-45-47-48-51-54-57
A563083.TM10X..01	97	83	57	27	19	16	43	48	9	23	M10	20-25-30-35-40-45-50-60-70	80	50-53-55-57-60-63-65-70-75
A563083.TM12X..01	97	83	57	27	19	16	43	48	9	23	M12	20-25-30-35-40-50-60-70	80	62-65-69-72-76-83-90-97
A563104.TM12X..01	121	104	70	34	24	19	50	56	11	26	M12	20-25-30-35-40-50-60-70	80	84-87-91-96-98-105-112-119
A563104.TM14X..01	121	104	70	34	24	19	50	56	11	26	M14	20-25-30-35-40-50-60-70	80	90-95-100-105-110-120-130-140
A563104.TM16X..01	121	104	70	34	24	19	50	56	11	26	M16	20-30-40-50-60	80	108-120-132-146-158

LM = Maximum mouldable length

Enter the stud length in the two .. of the code number



BOTECA

ART. A563 CIN

INDEXED CLAMPING LEVER WITH PLASTIC PUSH BUTTON AND STAINLESS STEEL THREADED STUD

MATERIAL:
Special high resistance glass fibre reinforced technopolymer.
Oils and greases resistant.

SURFACE:
Satin.

LEVER BODY AND INSERT COLOUR:
Black (RAL 9011).

MAIN INSERT:
Stainless steel threaded stud. (AISI 303).

PUSH BUTTON:
Push button in black polyamide (RAL 9011).

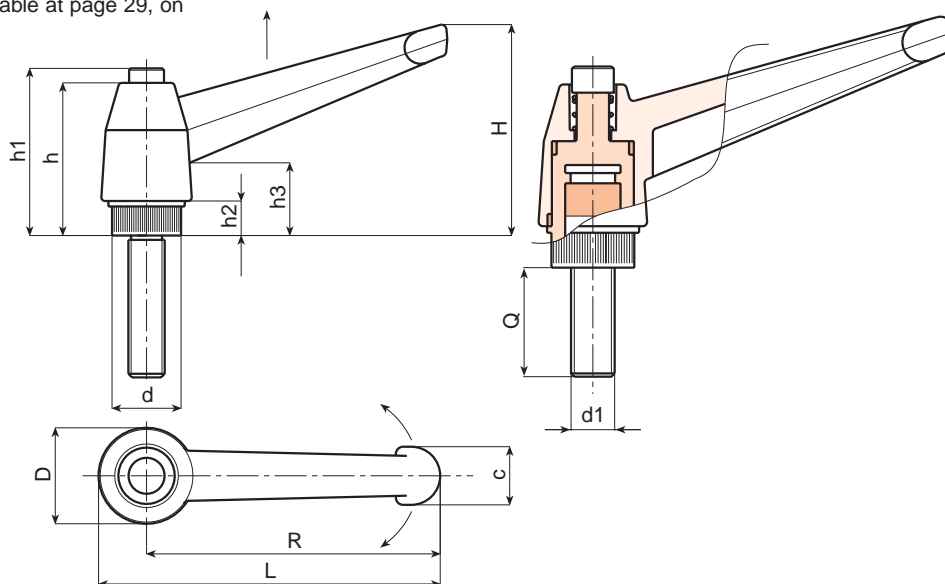
SPRING:
Stainless steel spring (AISI 303).

INOX



SPECIAL REQUESTS:

- It is possible to supply the inserts with different lengths, on request and for quantities.
- It is possible to supply the lever body and button with colours as shown in the table at page 29, on request and for quantities.



Art.	L	R	H	D	d	c	h	h1	h2	h3	d1	Q	LM	Weight (gr)
A563043.TM04X..01 CIN	52	43	33	17	11,5	11	27	32	6	14	M4	16-20-30	70	10-11-12
A563043.TM05X..01 CIN	52	43	33	17	11,5	11	27	32	6	14	M5	16-20-30	70	14-15-16
A563043.TM06X..01 CIN	52	43	33	17	11,5	11	27	32	6	14	M6	16-20-30	70	15-16-18
A563065.TM06X..01 CIN	77	65	45	23	15	13	34	39	8	17	M6	16-20-30-40	80	24-25-27-29
A563065.TM08X..01 CIN	77	65	45	23	15	13	34	39	8	17	M8	16-20-30-40	80	27-28-31-34
A563065.TM10X..01 CIN	77	65	45	23	15	13	34	39	8	17	M10	16-20-30-40	80	30-33-38-43
A563083.TM08X..01 CIN	97	83	57	27	19	16	43	48	9	23	M8	20-30-40-50	80	44-47-50-53
A563083.TM10X..01 CIN	97	83	57	27	19	16	43	48	9	23	M10	20-30-40-50	80	52-57-62-67
A563083.TM12X..01 CIN	97	83	57	27	19	16	43	48	9	23	M12	20-30-40-50	80	61-64-71-78
A563104.TM12X..01 CIN	121	104	70	34	24	19	50	56	11	26	M12	20-30-40-50	80	86-93-101-108
A563104.TM14X..01 CIN	121	104	70	34	24	19	50	56	11	26	M14	20-30-40-50	80	92-102-112-122
A563104.TM16X..01 CIN	121	104	70	34	24	19	50	56	11	26	M16	20-30-40-50	80	111-122-134-146

LM = Maximum mouldable length

Enter the stud length in the two .. of the code number



BOTECA

ART. A572

INDEXED CLAMPING LEVER WITH ARM AT 90° AND THREADED INSERT

MATERIAL:
Special high resistance glass fibre reinforced technopolymer.
Oils and greases resistant.

SURFACE:
Satin.

LEVER BODY AND INSERT COLOUR:
Black (RAL 9011).

MAIN INSERT:
Zinc plated steel blind threaded bush.

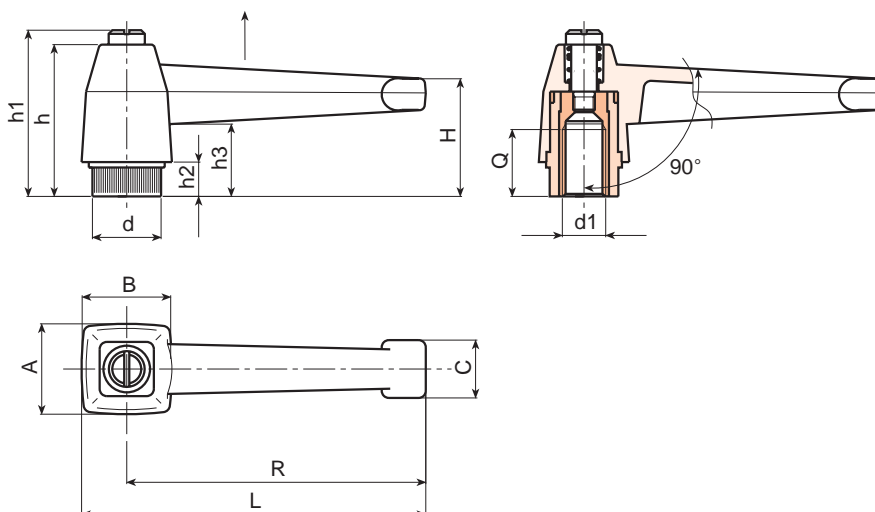
FIXING SCREW:
Black-oxide treated screw with head for fitting screwdriver.

SPRING:
Zinc plated steel spring.



SPECIAL REQUESTS:

- It is possible to supply the inserts in different materials, on request and for quantities.
- It is possible to supply the lever body with colours as shown in the table at page 29, on request and for quantities.



Art.	L	R	H	A	B	c	h	h1	h2	h3	d1	Q	Weight (gr)
A572083.TM0801	94	83	33,5	25	25	16	42	47	10	21	M08	17	52
A572083.TM1001	94	83	33,5	25	25	16	42	47	10	21	M10	17	48
A572083.TM1201	94	83	33,5	25	25	16	42	47	10	21	M12	16	48



BOTECA

ART. A573

INDEXED CLAMPING LEVER WITH ARM AT 90° AND THREADED STUD

MATERIAL:
Special high resistance glass fibre reinforced technopolymer.
Oils and greases resistant.

SURFACE:
Satin.

LEVER BODY AND INSERT COLOUR:
Black (RAL 9011).

MAIN INSERT:
Zinc plated steel threaded stud.

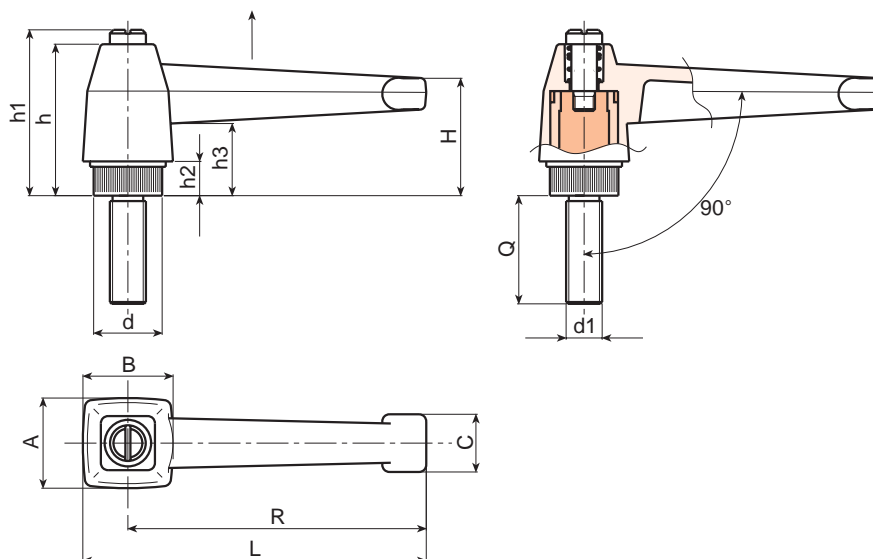
FIXING SCREW:
Black-oxide treated screw with head for fitting screwdriver.

SPRING:
Zinc plated steel spring.



SPECIAL REQUESTS:

- It is possible to supply the inserts with different lengths, on request and for quantities.
- It is possible to supply the inserts in different materials, on request and for quantities.
- It is possible to supply the lever body with colours as shown in the table at page 29, on request and for quantities.



Art.	L	R	H	A	B	c	h	h1	h2	h3	d1	Q	LM	Weight (gr)
A573083.TM08X..01	94	83	33,5	25	25	16	42	47	10	21	M08	20-30-40-50	80	58-60-64-66
A573083.TM10X..01	94	83	33,5	25	25	16	42	47	10	21	M10	20-30-40-50	80	68-72-76-80
A573083.TM12X..01	94	83	33,5	25	25	16	42	47	10	21	M12	30-40-50	80	87-94-100

LM = Maximum mouldable length

Enter the stud length in the two .. of the code number



BOTECA

ART. A580

“EUROMODEL” INDEXED CLAMPING LEVER WITH THREADED INSERT

MATERIAL:
Special high resistance glass fibre reinforced technopolymer.
Oils and greases resistant.

SURFACE:
Satin.

LEVER BODY AND INSERT COLOUR:
Black (RAL 9011).

MAIN INSERT:
Zinc plated steel blind threaded bush.

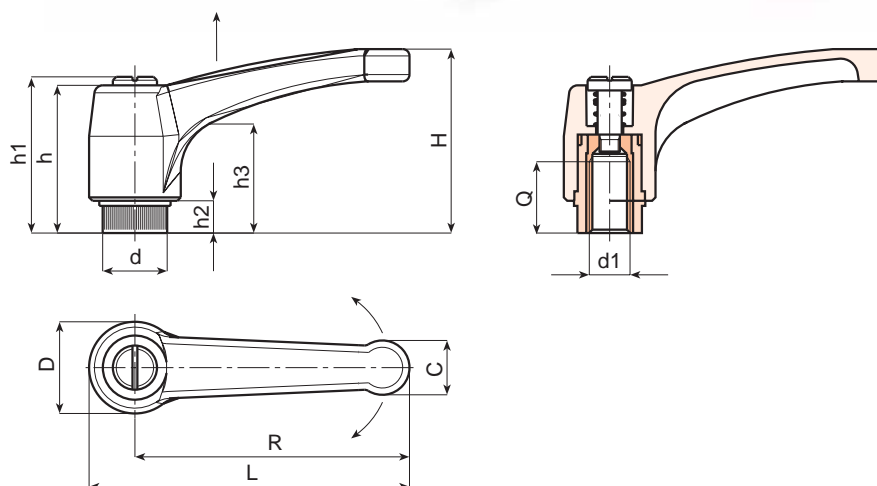
FIXING SCREW:
Black-oxide treated screw with head for fitting screwdriver.

SPRING:
Zinc plated steel spring.

ALTERNATIVE COLOURS FOR LEVER BODY:
Orange (RAL 2004 code 02).
Blue (RAL 5015 code 07).
Yellow (RAL 1021 code 10).
Red (RAL 3000 code 16).
Green (RAL 6024 code 17).
Grey (RAL 7035 code 13).

SPECIAL REQUESTS:

- It is possible to supply the inserts in different materials, on request and for quantities.
- It is possible to supply the lever body with colours as shown in the table at page 29, on request and for quantities.



Art.	L	R	H	D	d	c	h	h1	h2	h3	d1	Q	Weight (gr)
A580043.TM0401	51	43	33	17	11,5	9	29	32	6	18	M04	8	15
A580043.TM0501	51	43	33	17	11,5	9	29	32	6	18	M05	10	15
A580043.TM0601	51	43	33	17	11,5	9	29	32	6	18	M06	10	14
A580052.TM0601	63	52	41	22	15	12	36	40	8	23	M06	14	31
A580052.TM0801	63	52	41	22	15	12	36	40	8	23	M08	14	30
A580052.TM1001	63	52	41	22	15	12	36	40	8	23	M10	14	30
A580065.TM0601	76	65	43	23	15	13	36	40	8	24	M06	14	36
A580065.TM0801	76	65	43	23	15	13	36	40	8	24	M08	14	35
A580065.TM1001	76	65	43	23	15	13	36	40	8	24	M10	14	35
A580080.TM0801	93	80	54	27	19	15,5	44	48	8,5	29	M08	19	55
A580080.TM1001	93	80	54	27	19	15,5	44	48	8,5	29	M10	19	54
A580080.TM1201	93	80	54	27	19	15,5	44	48	8,5	29	M12	19	54
A580094.TM0801	109	94	56	30	19	18	45	49	9	30	M08	19	80
A580094.TM1001	109	94	56	30	19	18	45	49	9	30	M10	19	81
A580094.TM1201	109	94	56	30	19	18	45	49	9	30	M12	19	83
A580108.TM1201	125	108	64	34	24	21	51	55	10	35	M12	22	144
A580108.TM1401	125	108	64	34	24	21	51	55	10	35	M14	21	146
A580108.TM1601	125	108	64	34	24	21	51	55	10	35	M16	23	149



ART. A581

“EUROMODEL” INDEXED CLAMPING LEVER WITH THREADED STUD

MATERIAL:
Special high resistance glass fibre reinforced technopolymer.
Oils and greases resistant.

SURFACE:
Satin.

LEVER BODY AND INSERT COLOUR:
Black (RAL 9011).

MAIN INSERT:
Zinc plated steel threaded stud.

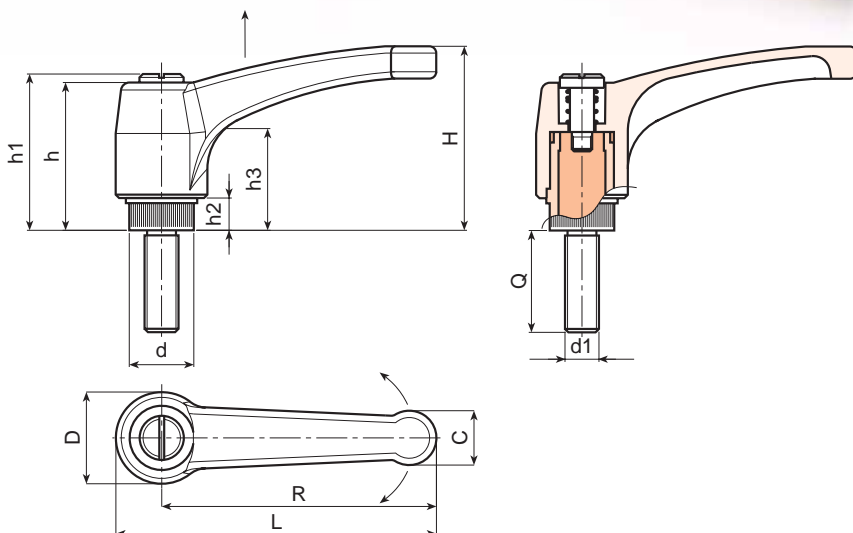
FIXING SCREW:
Black-oxide treated screw with head for fitting screwdriver.

SPRING:
Zinc plated steel spring.

ALTERNATIVE COLOURS FOR LEVER BODY:
Orange (RAL 2004 code 02).
Blue (RAL 5015 code 07).
Yellow (RAL 1021 code 10).
Red (RAL 3000 code 16).
Green (RAL 6024 code 17).
Grey (RAL 7035 code 13).

SPECIAL REQUESTS:

- It is possible to supply the inserts with different lengths, on request and for quantities.
- It is possible to supply the inserts in different materials, on request and for quantities.
- It is possible to supply the lever body with colours as shown in the table at page 29, on request and for quantities.



Art.	L	R	H	D	d	c	h	h1	h2	h3	d1	Q	LM	Weight (gr)
A581043.TM04X..01	51	43	33	17	11,5	9	29	32	6	18	M04	10-16-20-25-30-40	70	18-19-19-20-21-21,5
A581043.TM05X..01	51	43	33	17	11,5	9	29	32	6	18	M05	10-16-20-25-30-40	70	20-20-21-22-22-23
A581043.TM06X..01	51	43	33	17	11,5	9	29	32	6	18	M06	10-16-20-25-30-40-50	70	19,5-21-22-23-23,5-25-26,5
A581052.TM06X..01	63	52	41	22	15	12	36	40	8	23	M06	16-20-25-30-35-40-50	80	38-38-39-40-41-42-43
A581052.TM08X..01	63	52	41	22	15	12	36	40	8	23	M08	16-20-25-30-35-40-45-50	80	38,5-40-41,5-43-44,5-46-47,5-49
A581065.TM06X..01	76	65	43	23	15	13	36	40	8	24	M06	16-20-25-30-35-40-45-50	80	40-40-41-42-43-44-44-46
A581065.TM08X..01	76	65	43	23	15	13	36	40	8	24	M08	16-20-25-30-35-40-45-50	80	41,5-44-45,5-47-48,5-50-51,5-53
A581080.TM08X..01	93	80	54	27	19	15,5	44	48	8,5	29	M08	20-25-30-35-40-45-50	80	66-67-69-70,5-72-74-76
A581080.TM10X..01	93	80	54	27	19	15,5	44	48	8,5	29	M10	20-25-30-35-40-45-50	80	74-76,5-79-81,5-84-87
A581080.TM12X..01	93	80	54	27	19	15,5	44	48	8,5	29	M12	20-25-30-35-40-50-60-70-80	80	89-92-95-99-101-108-115-123-130
A581094.TM08X..01	109	94	56	30	19	18	45	49	9	30	M08	20-25-30-35-40-50	80	73-74-76-78-79-81
A581094.TM10X..01	109	94	56	30	19	18	45	49	9	30	M10	20-25-30-35-40-45-50-60-70-80	80	79-80-81-83,5-86-88-91-94-97-100
A581094.TM12X..01	109	94	56	30	19	18	45	49	9	30	M12	20-25-30-35-40-45-50-60-70-80	80	96-97-99-102-106-108-115-123-130-138
A581108.TM12X..01	125	108	64	34	24	21	51	55	10	35	M12	20-30-40-50-60-70	80	137-144-151-158-165-172
A581108.TM14X..01	125	108	64	34	24	21	51	55	10	35	M14	30-40-50-60	80	150-157-164-171
A581108.TM16X..01	125	108	64	34	24	21	51	55	10	35	M16	40-50-60	80	175-187-199

LM = Maximum mouldable length

Enter the stud length in the two .. of the code number



ART. A582

“EUROMODEL” INDEXED CLAMPING LEVER WITH PLASTIC PUSH BUTTON AND THREADED INSERT

MATERIAL:
Special high resistance glass fibre reinforced technopolymer.
Oils and greases resistant.

SURFACE:
Satin.

LEVER BODY AND INSERT COLOUR:
Black (RAL 9011).

MAIN INSERT:
Brass blind threaded bush.

PUSH BUTTON:
Push button in black polyamide (RAL 9011).

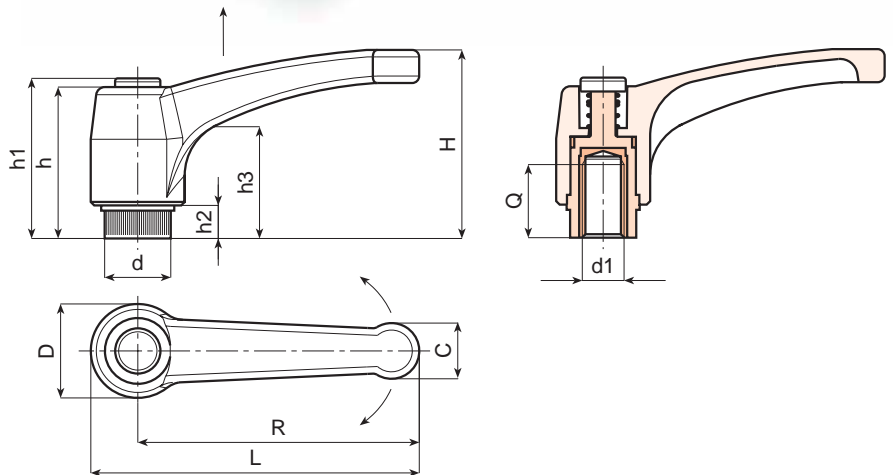
SPRING:
Zinc plated steel spring.

ALTERNATIVE COLOURS FOR LEVER BODY AND BUTTON:

Orange (RAL 2004 code 02).
Blue (RAL 5015 code 07).
Yellow (RAL 1021 code 10).
Red (RAL 3000 code 16).
Green (RAL 6024 code 17).
Grey (RAL 7035 code 13).

SPECIAL REQUESTS:

- It is possible to supply the inserts in different materials, on request and for quantities.
- It is possible to supply the lever body and button with colours as shown in the table at page 29, on request and for quantities.



Art.	L	R	H	D	d	c	h	h1	h2	h3	d1	Q	Weight (gr)
A582043.TM0401	51	43	33	17	11,5	9	29	32	6	18	M04	8	11
A582043.TM0501	51	43	33	17	11,5	9	29	32	6	18	M05	10	11
A582043.TM0601	51	43	33	17	11,5	9	29	32	6	18	M06	10	11
A582052.TM0601	63	52	41	22	15	12	36	39	8	23	M06	15	20
A582052.TM0801	63	52	41	22	15	12	36	39	8	23	M08	15	22
A582052.TM1001	63	52	41	22	15	12	36	39	8	23	M10	15	22
A582065.TM0601	76	65	43	23	15	13	36	39	8	24	M06	15	24
A582065.TM0801	76	65	43	23	15	13	36	39	8	24	M08	15	24
A582065.TM1001	76	65	43	23	15	13	36	39	8	24	M10	12	24
A582080.TM0801	93	80	54	27	19	15,5	44	47	8,5	29	M08	15	40
A582080.TM1001	93	80	54	27	19	15,5	44	47	8,5	29	M10	14	40
A582080.TM1201	93	80	54	27	19	15,5	44	47	8,5	29	M12	19	40
A582094.TM0801	109	94	56	30	19	18	45	48	9	30	M08	21	75
A582094.TM1001	109	94	56	30	19	18	45	48	9	30	M10	19	76
A582094.TM1201	109	94	56	30	19	18	45	48	9	30	M12	21	80
A582108.TM1201	125	108	64	34	24	21	51	55	10	35	M12	19	108
A582108.TM1401	125	108	64	34	24	21	51	55	10	35	M14	21	110
A582108.TM1601	125	108	64	34	24	21	51	55	10	35	M16	21	116

ART. A582 CIN

“EUROMODEL” INDEXED CLAMPING LEVER WITH PLASTIC PUSH BUTTON AND STAINLESS STEEL THREADED INSERT

MATERIAL:
Special high resistance glass fibre reinforced technopolymer.
Oils and greases resistant.

SURFACE:
Satin.

LEVER BODY AND INSERT COLOUR:
Black (RAL 9011).

MAIN INSERT:
Stainless steel blind threaded bush (AISI 303).

PUSH BUTTON:
Push button in black polyamide (RAL 9011).

SPRING:
Stainless steel spring (AISI 303).

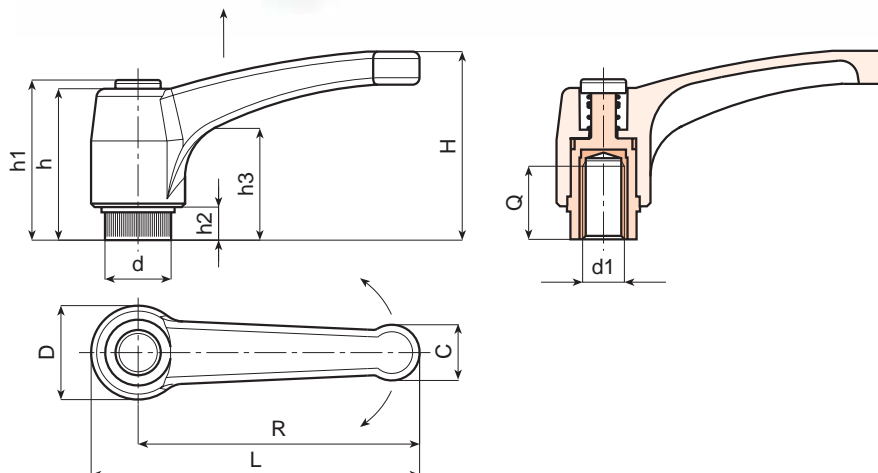
ALTERNATIVE COLOURS FOR LEVER BODY AND BUTTON:

Orange (RAL 2004 code 02).
Blue (RAL 5015 code 07).
Yellow (RAL 1021 code 10).
Red (RAL 3000 code 16).
Green (RAL 6024 code 17).
Grey (RAL 7035 code 13).

SPECIAL REQUESTS:

- It is possible to supply the lever body and button with colours as shown in the table at page 29, on request and for quantities.

INOX



Art.	L	R	H	D	d	c	h	h1	h2	h3	d1	Q	Weight (gr)
A582043.TM0401 CIN	51	43	33	17	11,5	9	29	32	6	18	M04	8	13
A582043.TM0501 CIN	51	43	33	17	11,5	9	29	32	6	18	M05	10	13
A582043.TM0601 CIN	51	43	33	17	11,5	9	29	32	6	18	M06	10	13
A582052.TM0601 CIN	63	52	41	22	15	12	36	39	8	23	M06	14	23
A582052.TM0801 CIN	63	52	41	22	15	12	36	39	8	23	M08	14	23
A582052.TM1001 CIN	63	52	41	22	15	12	36	39	8	23	M10	14	23
A582065.TM0601 CIN	76	65	43	23	15	13	36	39	8	24	M06	14	27
A582065.TM0801 CIN	76	65	43	23	15	13	36	39	8	24	M08	14	26
A582065.TM1001 CIN	76	65	43	23	15	13	36	39	8	24	M10	14	25
A582080.TM0801 CIN	93	80	54	27	19	15,5	44	47	8,5	29	M08	15	45
A582080.TM1001 CIN	93	80	54	27	19	15,5	44	47	8,5	29	M10	15	43
A582094.TM0801 CIN	109	94	56	30	19	18	45	48	9	30	M08	15	78
A582094.TM1001 CIN	109	94	56	30	19	18	45	48	9	30	M10	15	80
A582094.TM1201 CIN	109	94	56	30	19	18	45	48	9	30	M12	15	82
A582108.TM1201 CIN	125	108	65	34	24	21	51	55	10	35	M12	19	108
A582108.TM1401 CIN	125	108	65	34	24	21	51	55	10	35	M14	19	110
A582108.TM1601 CIN	125	108	65	34	24	21	51	55	10	35	M16	19	116



ART. A583

“EUROMODEL” INDEXED CLAMPING LEVER WITH PLASTIC PUSH BUTTON AND THREADED STUD

MATERIAL:
Special high resistance glass fibre reinforced technopolymer.
Oils and greases resistant.

SURFACE:
Satin.

LEVER BODY AND INSERT COLOUR:
Black (RAL 9011).

MAIN INSERT:
Zinc plated steel threaded stud.

PUSH BUTTON:
Push button in black polyamide (RAL 9011).

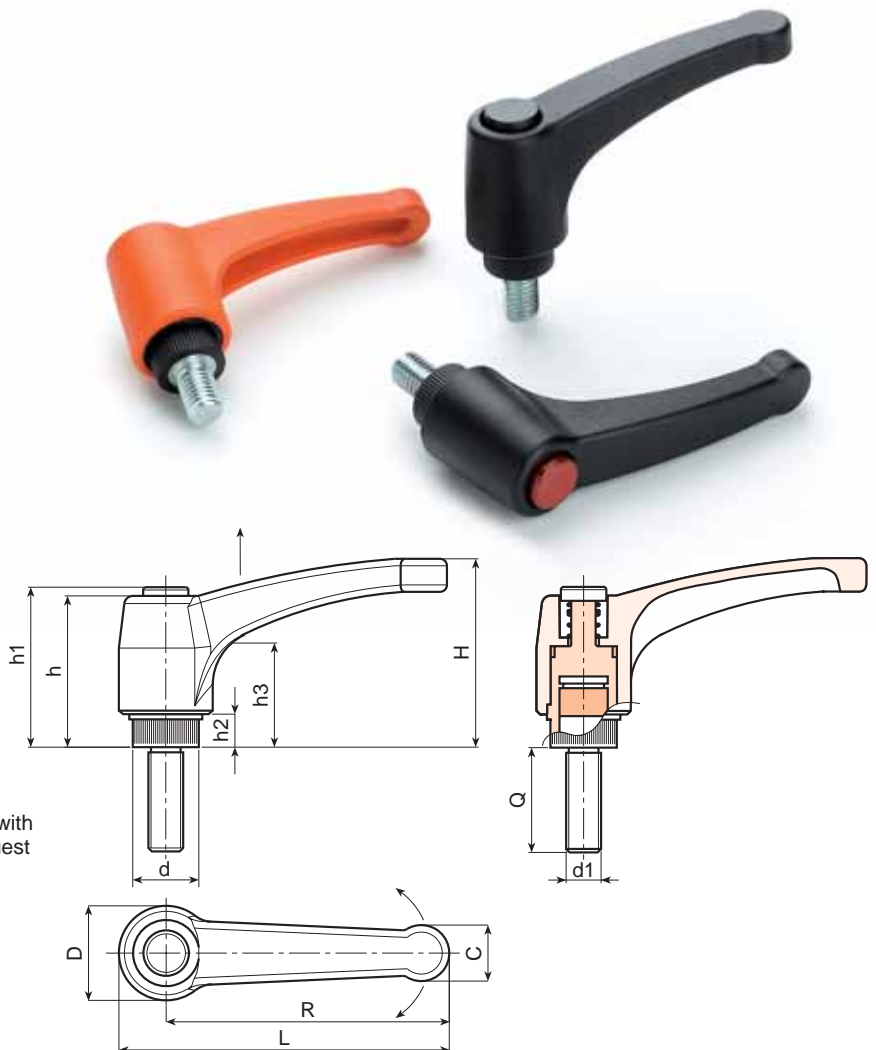
SPRING:
Zinc plated steel spring.

ALTERNATIVE COLOURS FOR LEVER BODY AND BUTTON:

Orange (RAL 2004 code 02).
Blue (RAL 5015 code 07).
Yellow (RAL 1021 code 10).
Red (RAL 3000 code 16).
Green (RAL 6024 code 17).
Grey (RAL 7035 code 13).

SPECIAL REQUESTS:

- It is possible to supply the inserts with different lengths, on request and for quantities.
- It is possible to supply the inserts in different materials, on request and for quantities.
- It is possible to supply the lever body and button with colours as shown in the table at page 29, on request and for quantities.



Art.	L	R	H	D	d	c	h	h1	h2	h3	d1	Q	LM	Weight (gr)
A583043.TM04X..01	51	43	33	17	11,5	9	29	32	6	18	M04	10-15-20-25-30-40	70	9-10-10-11-11-12
A583043.TM05X..01	51	43	33	17	11,5	9	29	32	6	18	M05	10-16-20-25-30-40	70	12-13-13-14-15-16
A583043.TM06X..01	51	43	33	17	11,5	9	29	32	6	18	M06	10-16-20-25-30-35-40-50	70	14-15-15,5-16-16,5-18-19,5
A583052.TM06X..01	63	52	41	22	15	12	36	39	8	23	M06	16-20-25-30-35-40-50	80	22-23-24-25-26-27-28
A583052.TM08X..01	63	52	41	22	15	12	36	39	8	23	M08	16-20-25-30-35-40-45-50	80	24-25-27-28,5-30-31,5-33-34,5
A583052.TM10X..01	63	52	41	22	15	12	36	39	8	23	M10	20-25-30-35-40-50	80	31-33,5-36-38,5-41-46
A583065.TM06X..01	76	65	43	23	15	13	36	39	8	24	M06	16-20-25-30-35-40-45-50	80	26-26-27-27-28-28-29-30
A583065.TM08X..01	76	65	43	23	15	13	36	39	8	24	M08	16-20-25-30-35-40-45-50-60	80	31,5-33-34,5-36-37,5-39-41-42,5-44
A583065.TM10X..01	76	65	43	23	15	13	36	39	8	24	M10	20-25-30-35-40-45-50	80	37-39,5-42-44,5-47-49,5-52
A583080.TM08X..01	93	80	54	27	19	15,5	44	47	8,5	29	M08	20-25-30-35-40-50	80	47-49-50,5-52-54-57
A583080.TM10X..01	93	80	54	27	19	15,5	44	47	8,5	29	M10	20-25-30-35-40-45-50-60-70	80	54-56,5-59-61,5-64-66,5-69-74-79
A583080.TM12X..01	93	80	54	27	19	15,5	44	47	8,5	29	M12	20-25-30-35-40-45-50-60-70-80	80	65-69-72-75-79-83-86-93-100-107
A583094.TM08X..01	109	94	56	30	19	18	45	48	9	30	M08	20-25-30-35-40-50	80	55-57-58-60-62-65
A583094.TM10X..01	109	94	56	30	19	18	45	48	9	30	M10	20-30-35-40-45-50-60-70-80	80	62-67-69-72-75-77-82-87-92
A583094.TM12X..01	109	94	56	30	19	18	45	48	9	30	M12	20-30-35-40-45-50-60-70-80	80	73-80-83-87-91-94-101-108-115
A583108.TM12X..01	125	108	64	34	24	21	51	55	10	35	M12	20-30-40-50-60-70	80	101-108-115-122-129-136
A583108.TM14X..01	125	108	64	34	24	21	51	55	10	35	M14	30-40-50-60	80	114-121-128-134
A583108.TM16X..01	125	108	64	34	24	21	51	55	10	35	M16	40-50-60	80	139-151-163

LM = Maximum mouldable length

Enter the stud length in the two .. of the code number

ART. A583 CIN

“EUROMODEL” INDEXED CLAMPING LEVER WITH PLASTIC PUSH BUTTON AND STAINLESS STEEL THREADED STUD

INOX

MATERIAL:
Special high resistance glass fibre reinforced technopolymer.
Oils and greases resistant.

SURFACE:
Satin.

LEVER BODY AND INSERT COLOUR:
Black (RAL 9011).

MAIN INSERT:
Stainless steel threaded stud. (AISI 303).

PUSH BUTTON:
Push button in black polyamide (RAL 9011).

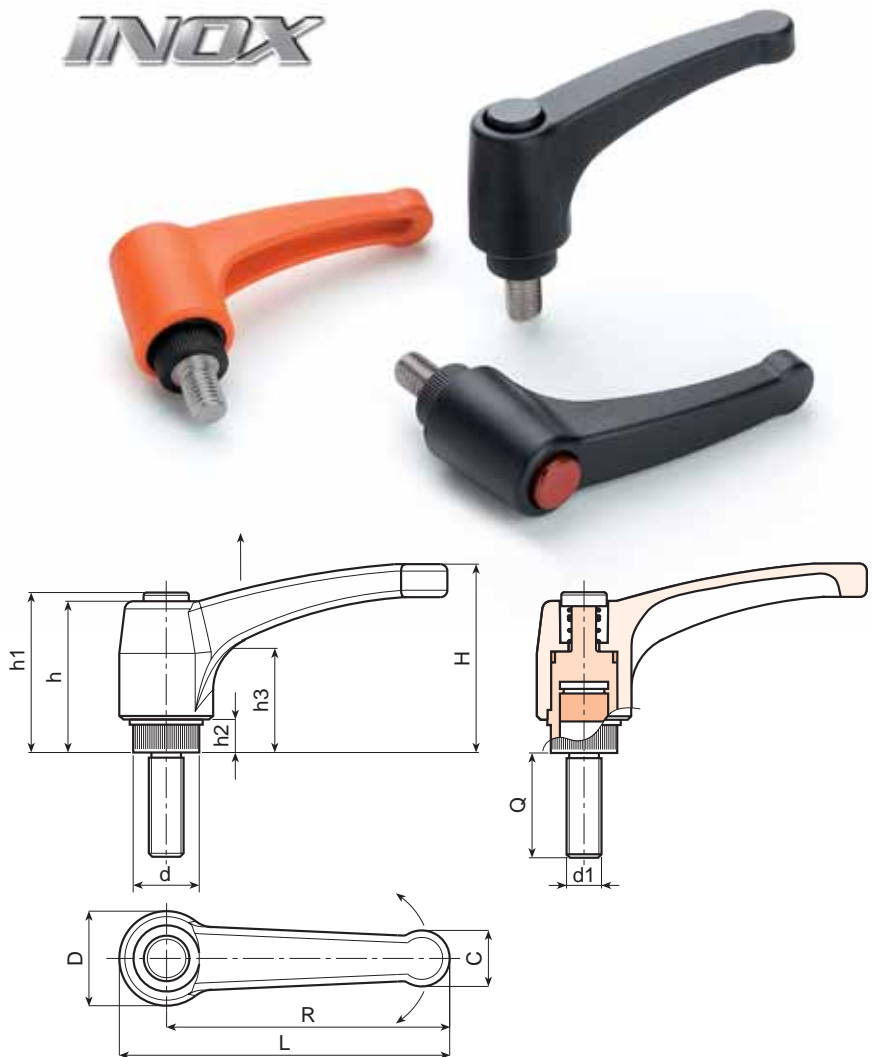
SPRING:
Stainless steel spring (AISI 303).

ALTERNATIVE COLOURS FOR LEVER BODY AND BUTTON:

Orange (RAL 2004 code 02).
Blue (RAL 5015 code 07).
Yellow (RAL 1021 code 10).
Red (RAL 3000 code 16).
Green (RAL 6024 code 17).
Grey (RAL 7035 code 13).

SPECIAL REQUESTS:

- It is possible to supply the inserts with different lengths, on request and for quantities.
- It is possible to supply the lever body and button with colours as shown in the table at page 29, on request and for quantities.



Art.	L	R	H	D	d	c	h	h1	h2	h3	d1	Q	LM	Weight (gr)
A583043.TM04X..01 CIN	51	43	33	17	11,5	9	29	32	6	18	M04	16-20-30	70	12-13-14
A583043.TM05X..01 CIN	51	43	33	17	11,5	9	29	32	6	18	M05	16-20-30	70	13-14-15
A583043.TM06X..01 CIN	51	43	33	17	11,5	9	29	32	6	18	M06	16-20-30-40	70	17-18-20-22
A583052.TM06X..01 CIN	62	52	41	22	15	12	36	39	8	23	M06	16-20-30-40	80	25-26-28-30
A583052.TM08X..01 CIN	62	52	41	22	15	12	36	39	8	23	M08	16-20-30-40	80	27-28-31-33
A583052.TM10X..01 CIN	62	52	41	22	15	12	36	39	8	23	M10	16-20-30-40	80	33-35-40-45
A583065.TM06X..01 CIN	76	65	43	23	15	13	36	39	8	24	M06	16-20-30-40	80	28-29-31-32,5
A583065.TM08X..01 CIN	76	65	43	23	15	13	36	39	8	24	M08	16-20-30-40	80	33-35-38-41
A583065.TM10X..01 CIN	76	65	43	23	15	13	36	39	8	24	M10	16-20-30-40	80	39-41-46-51
A583080.TM08X..01 CIN	93	80	54	27	19	15,5	44	47	8,5	29	M08	16-20-30-40-50	80	46-49-51-54-57
A583080.TM10X..01 CIN	93	80	54	27	19	15,5	44	47	8,5	29	M10	20-30-40-50	80	56-61-66-71
A583080.TM12X..01 CIN	93	80	54	27	19	15,5	44	47	8,5	29	M12	20-30-40-50	80	68-75-82-89
A583094.TM08X..01 CIN	109	94	56	30	19	18	45	48	9	30	M08	20-30-40-50	80	52-55-58-61
A583094.TM10X..01 CIN	109	94	56	30	19	18	45	48	9	30	M10	20-30-40-50	80	63-68-73-78
A583094.TM12X..01 CIN	109	94	56	30	19	18	45	48	9	30	M12	20-30-40-50	80	75-82-89-96
A583108.TM12X..01 CIN	125	108	65	34	24	21	51	55	10	35	M12	20-30-40-50	80	103-110-117-124
A583108.TM14X..01 CIN	125	108	65	34	24	21	51	55	10	35	M14	20-30-40-50	80	109-116-123-130
A583108.TM16X..01 CIN	125	108	65	34	24	21	51	55	10	35	M16	20-30-40-50	80	127-139-151-163

LM = Maximum mouldable length

Enter the stud length in the two .. of the code number

ART. A592

ZAMAK ALLOY INDEXED CLAMPING LEVER WITH THREADED INSERT

MATERIAL:

Die cast Zamak lever body (zinc,aluminium, copper alloy).

SURFACE:

Smooth. Epoxy powder painted finish.

COLOURS:

Shiny black (RAL 9005 cod. 01).
 Matt black (RAL 9005 cod. 20).
 Orange (RAL 2004 cod. 02).
 Red (RAL 3000 cod. 16).
 Metalized grey (RAL 9006 cod. 83).
 Grey (RAL 7031 cod. 80).
 Blue (RAL 5015 cod. 07).

MAIN INSERT:

Black oxide treated steel insert with female threaded hole.

FIXING SCREW:

Black-oxide treated screw with hexagon socket head.

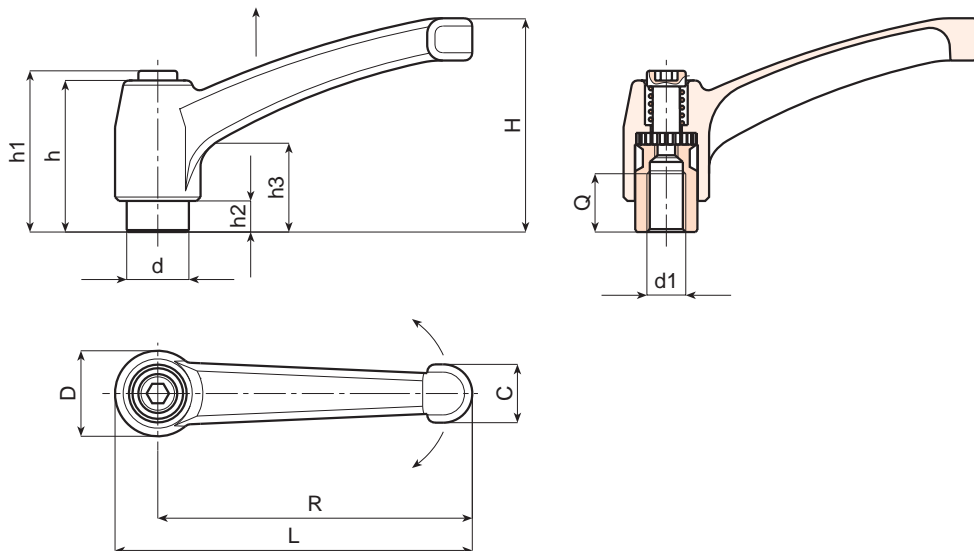
SPRING:

Zinc plated steel spring.



SPECIAL REQUESTS:

- None.



Art.	L	R	H	D	d	c	h	h1	h2	h3	d1	Q	Weight (gr)
A592043.ZM0401	50	43	30	14	10	9	26	30	5	14	M04	7	30
A592043.ZM0501	50	43	30	14	10	9	26	30	5	14	M05	9	30
A592043.ZM0601	50	43	30	14	10	9	26	30	5	14	M06	9	28
A592065.ZM0601	75	65	45	19	14	13	32	34	7	14	M06	10	76
A592065.ZM0801	75	65	45	19	14	13	32	34	7	14	M08	10	76
A592065.ZM1001	75	65	45	19	14	13	32	34	7	14	M10	9	73
A592080.ZM0801	91	80	57	22	16	16	40	42	8	16	M08	14	134
A592080.ZM1001	91	80	57	22	16	16	40	42	8	16	M10	13	130
A592080.ZM1201	91	80	57	22	16	16	40	42	8	16	M12	12	128
A592094.ZM1201	107	94	65	26	20	18	47	50	10,5	19	M12	20	195
A592094.ZM1401	107	94	65	26	20	18	47	50	10,5	19	M14	20	190
A592094.ZM1601	107	94	65	26	20	18	47	50	10,5	19	M16	20	188
A592108.ZM1401	123	108	75	30	23	20	54	56	12	23	M14	26	298
A592108.ZM1601	123	108	75	30	23	20	54	56	12	23	M16	26	284
A592108.ZM1801	123	108	75	30	23	20	54	56	12	23	M18	25	270



BOTECA

ART. A592 CIN

ZAMAK ALLOY INDEXED CLAMPING LEVER WITH THREADED STAINLESS STEEL INSERT

MATERIAL:
Die cast Zamak lever body (zinc, aluminium, copper alloy).

INOX

SURFACE:
Smooth. Epoxy powder painted finish.

COLOURS:
Shiny black (RAL 9005 cod. 01).
Matt black (RAL 9005 cod. 20).
Orange (RAL 2004 cod. 02).
Red (RAL 3000 cod. 16).
Metalized grey (RAL 9006 cod. 83).
Grey (RAL 7031 cod. 80).
Blue (RAL 5015 cod. 07).

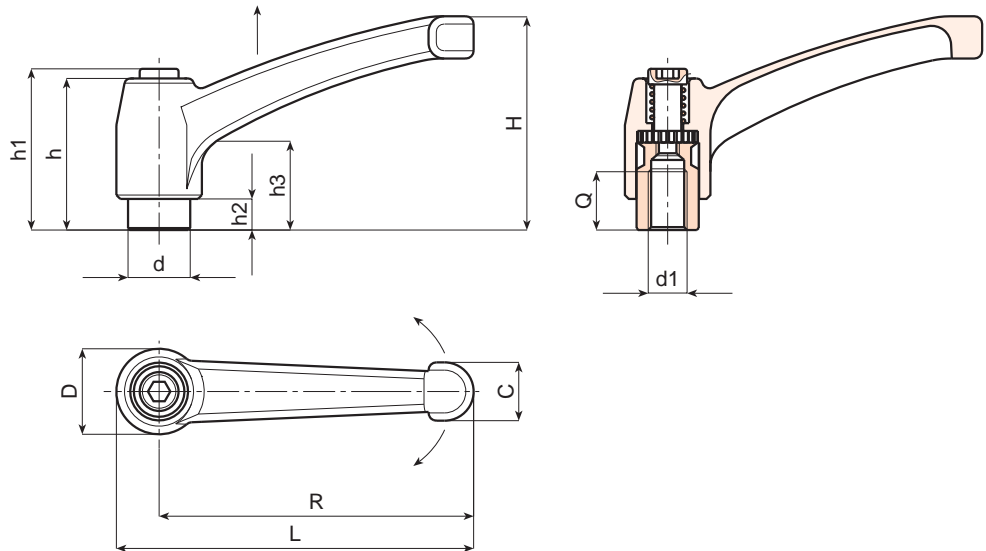
MAIN INSERT:
Stainless steel insert with female threaded hole (AISI 303).

FIXING SCREW:
Stainless steel socket head screw (AISI 304).

SPRING:
Stainless steel spring (AISI 302).

SPECIAL REQUESTS:

- None.



Art.	L	R	H	D	d	c	h	h1	h2	h3	d1	Q	Weight (gr)
A592043.ZM0501 CIN	50	43	30	14	10	9	26	30	5	14	M05	9	30
A592043.ZM0601 CIN	50	43	30	14	10	9	26	30	5	14	M06	9	28
A592065.ZM0601 CIN	75	65	45	19	14	13	32	34	7	14	M06	10	76
A592065.ZM0801 CIN	75	65	45	19	14	13	32	34	7	14	M08	10	76
A592065.ZM1001 CIN	75	65	45	19	14	13	32	34	7	14	M10	9	73
A592080.ZM0801 CIN	91	80	57	22	16	16	40	42	8	16	M08	14	134
A592080.ZM1001 CIN	91	80	57	22	16	16	40	42	8	16	M10	13	130
A592080.ZM1201 CIN	91	80	57	22	16	16	40	42	8	16	M12	12	128
A592094.ZM1201 CIN	107	94	65	26	20	18	47	50	10,5	19	M12	20	195
A592094.ZM1401 CIN	107	94	65	26	20	18	47	50	10,5	19	M14	20	190
A592108.ZM1401 CIN	123	108	75	30	23	20	54	56	12	23	M14	26	298
A592108.ZM1601 CIN	123	108	75	30	23	20	54	56	12	23	M16	26	284



BOTECA

ART. A593

ZAMAK ALLOY INDEXED CLAMPING LEVER WITH THREADED STUD

MATERIAL:

Die cast Zamak lever body (zinc, aluminium, copper alloy).

SURFACE:

Smooth. Epoxy powder painted finish.

COLOURS:

Shiny black (RAL 9005 cod. 01).
 Matt black (RAL 9005 cod. 20).
 Orange (RAL 2004 cod. 02).
 Red (RAL 3000 cod. 16).
 Metalized grey (RAL 9006 cod. 83).
 Grey (RAL 7031 cod. 80).
 Blue (RAL 5015 cod. 07).

MAIN INSERT:

Black oxide treated steel insert with male threaded stud.

FIXING SCREW:

Black-oxide treated screw with hexagon socket head.

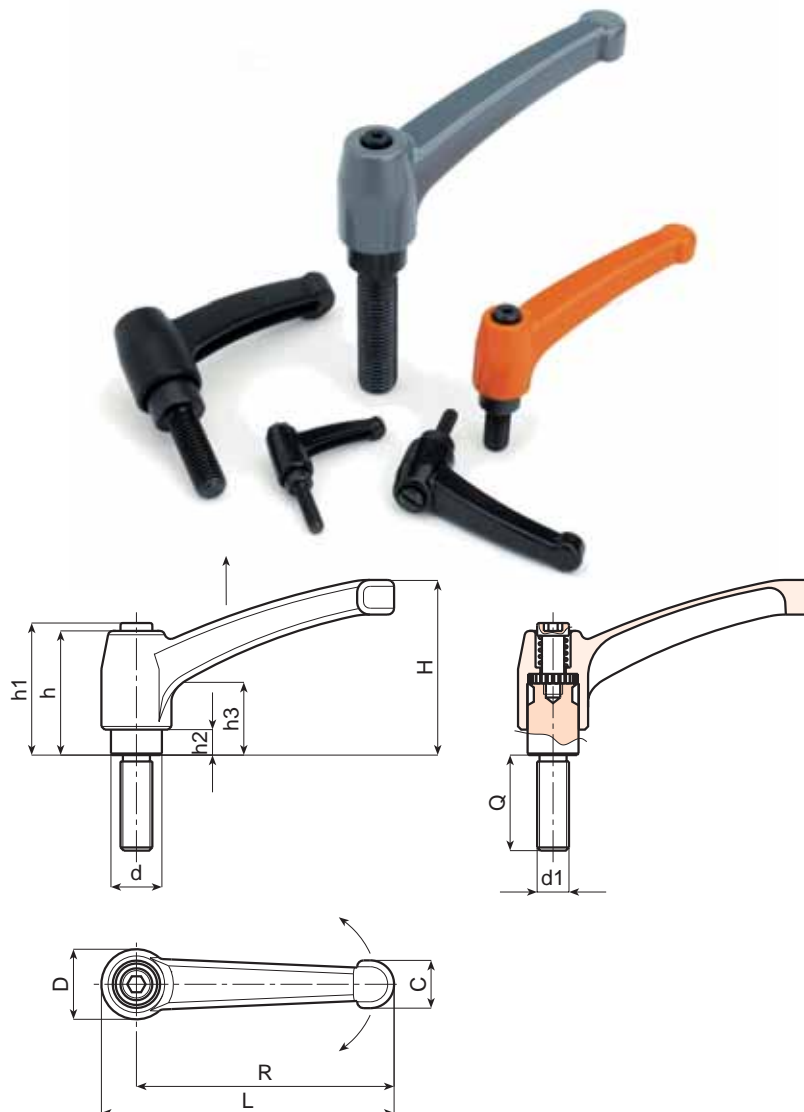
SPRING:

Zinc plated steel spring.

SPECIAL REQUESTS:

- It is possible to supply the inserts with different lengths, on request and for quantities.

Attention: for out of standard lengths, inserts with threaded stud will be zinc plated.



Art.	L	R	H	D	d	c	h	h1	h2	h3	d1	Q	LM	Weight (gr)
A593043.TM04X..01	50	43	30	14	10	9	26	30	5	14	M04	16-20-25-30	70	30-30-31-31
A593043.TM05X..01	50	43	30	14	10	9	26	30	5	14	M05	16-20-25-30-40	70	31-32-33-34-35
A593043.TM06X..01	50	43	30	14	10	9	26	30	5	14	M06	16-20-25-30-40-50	70	31-32-33-34-35-36
A593043.TM08X..01	50	43	30	14	10	9	26	30	5	14	M08	25-40-50	80	38-43-46
A593065.TM06X..01	75	65	45	19	14	13	32	34	7	14	M06	16-20-25-30-40-50	80	79-82-83-84-86-88
A593065.TM08X..01	75	65	45	19	14	13	32	34	7	14	M08	16-20-25-30-35-40-45-50-60	80	82-83-84-86-88-89-90-92-95
A593065.TM10X..01	75	65	45	19	14	13	32	34	7	14	M10	20-25-30-35-40-45-50-60	80	89-91-94-97-99-101-104-109
A593080.TM08X..01	91	80	57	22	16	16	40	42	8	16	M08	20-25-30-35-40-45-50-60	80	142-144-145-147-148-150-151-154
A593080.TM10X..01	91	80	57	22	16	16	40	42	8	16	M10	20-25-30-35-40-45-50-60	80	146-148-151-153-156-159-161-166
A593080.TM12X..01	91	80	57	22	16	16	40	42	8	16	M12	20-25-30-35-40-50-60	80	150-154-157-160-164-171-178
A593094.TM12X..01	107	94	65	26	20	17,5	47	50	10,5	19	M12	20-25-30-35-40-50-60	80	229-232-236-240-243-250-257
A593094.TM14X..01	107	94	65	26	20	17,5	47	50	10,5	19	M14	30-35-40-50-60	80	240-245-250-260-270
A593094.TM16X..01	107	94	65	26	20	17,5	47	50	10,5	19	M16	30-40-50-60	80	254-266-278-290
A593108.TM12X..01	123	108	75	30	23	20	54	56	12	23	M12	25-50	80	330-347
A593108.TM14X..01	123	108	75	30	23	20	54	56	12	23	M14	20-30-40-50-60	80	340-350-360-370-380
A593108.TM16X..01	123	108	75	30	23	20	54	56	12	23	M16	20-30-40-50-60	80	328-342-356-370-384
A593108.TM18X..01	123	108	75	30	23	20	54	56	12	23	M18	20-30-40-50-60	80	360-380-400-420

LM = Maximum mouldable length

Enter the stud length in the two .. of the code number



BOTECA

ART. A593 CIN

ZAMAK ALLOY INDEXED CLAMPING LEVER WITH STAINLESS STEEL THREADED STUD

INOX

MATERIAL:

Die cast Zamak lever body (zinc, aluminium, copper alloy).

SURFACE:

Smooth. Epoxy powder painted finish.

COLOURS:

Shiny black (RAL 9005 cod. 01).
 Matt black (RAL 9005 cod. 20).
 Orange (RAL 2004 cod. 02).
 Red (RAL 3000 cod. 16).
 Metalized grey (RAL 9006 cod. 83).
 Grey (RAL 7031 cod. 80).
 Blue (RAL 5015 cod. 07).

MAIN INSERT:

Stainless steel insert with threaded stud (AISI 303).

FIXING SCREW:

Stainless steel socket head screw (AISI 304)

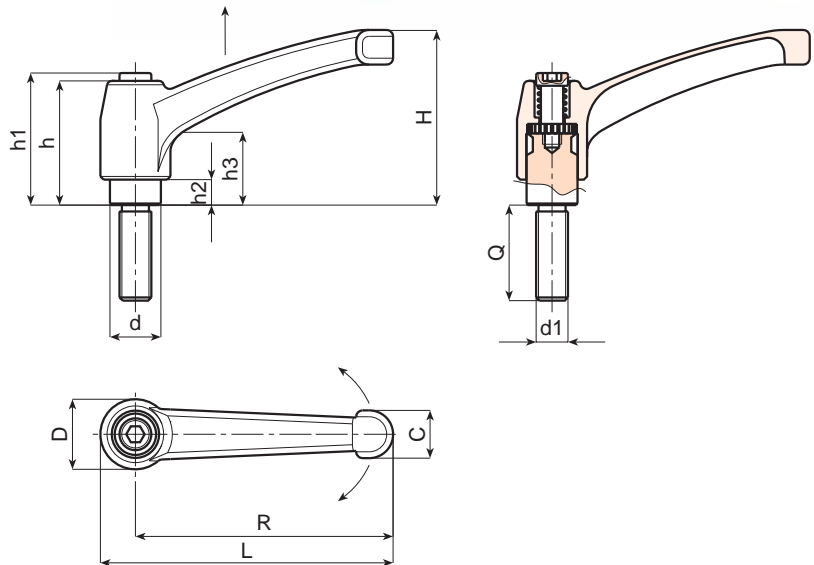
SPRING:

Stainless steel spring (AISI 302).

SPECIAL REQUESTS:

- It is possible to supply the inserts with different lengths, on request and for quantities.

Attention: for out of standard lengths, inserts with threaded stud will be zinc plated.



Art.	L	R	H	D	d	c	h	h1	h2	h3	d1	Q	LM	Weight (gr)
A593043.ZM05X..01 CIN	50	43	30	14	10	9	26	30	5	14	M05	16-20-30	70	31-32-34
A593043.ZM06X..01 CIN	50	43	30	14	10	9	26	30	5	14	M06	16-20-30	70	31-32-34
A593043.ZM08X..01 CIN	50	43	30	14	10	9	26	30	5	14	M08	25	70	38
A593065.ZM08X..01 CIN	75	65	45	19	14	13	32	34	7	14	M08	16-20-30-40	80	82-83-86-89
A593065.ZM10X..01 CIN	75	65	45	19	14	13	32	34	7	14	M10	20-30-40	80	89-94-99
A593080.ZM10X..01 CIN	91	80	57	22	16	16	40	42	8	16	M10	20-30-40-50	80	146-151-156-161
A593080.ZM12X..01 CIN	91	80	57	22	16	16	40	42	8	16	M12	20-30-50	80	150-157-171
A593094.ZM12X..01 CIN	107	94	65	26	20	17,5	47	50	10,5	19	M12	20-30	80	229-236
A593094.ZM14X..01 CIN	107	94	65	26	20	17,5	47	50	10,5	19	M14	30-50	80	240-260
A593094.ZM16X..01 CIN	107	94	65	26	20	17,5	47	50	10,5	19	M16	50	80	278
A593108.ZM14X..01 CIN	123	108	75	30	23	20	54	56	12	23	M14	20-50	80	340-370
A593108.ZM16X..01 CIN	123	108	75	30	23	20	54	56	12	23	M16	20-50	80	328-370

LM = Maximum mouldable length

Enter the stud length in the two .. of the code number



BOTECA