

# ART. F110

## 6-LOBE SOLID KNOB WITH THREADED INSERT

**MATERIAL:**

Reinforced polyamide.  
Oils and greases resistant.

**SURFACE:**

Satin.

**COLOUR:**

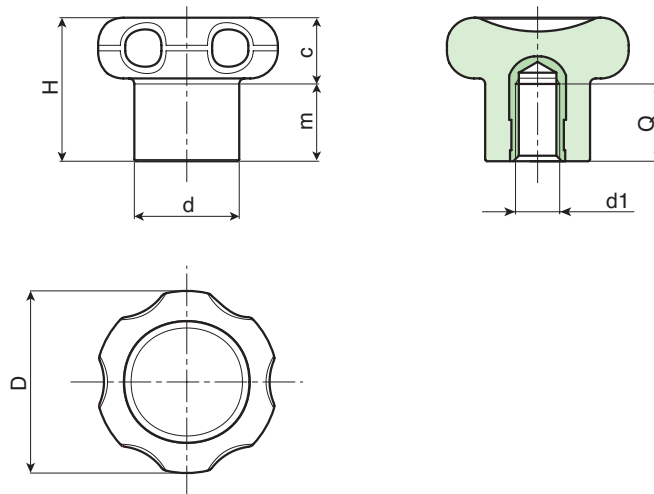
Black (RAL 9011).

**MAIN INSERT:**

Brass blind threaded bush.

**SPECIAL REQUESTS:**

- It is possible to supply the inserts in different materials, on request and for quantities.
- It is possible to supply colours as shown in the table at page 23, on request and for quantities.



| Art.           | D  | d  | H    | m  | c   | d1  | Q  | Weight (gr) |
|----------------|----|----|------|----|-----|-----|----|-------------|
| F110022.TM0401 | 22 | 12 | 17,5 | 11 | 6,5 | M04 | 8  | 6           |
| F110022.TM0501 | 22 | 12 | 17,5 | 11 | 6,5 | M05 | 8  | 7           |
| F110027.TM0501 | 27 | 14 | 22   | 13 | 9   | M05 | 10 | 10,5        |
| F110027.TM0601 | 27 | 14 | 22   | 13 | 9   | M06 | 10 | 11          |
| F110033.TM0801 | 33 | 19 | 26   | 15 | 11  | M08 | 13 | 20          |
| F110033.TM1001 | 33 | 19 | 26   | 15 | 11  | M10 | 13 | 21          |



# ART. F 1 1 1

## 6-LOBE SOLID KNOB WITH THREADED STUD

**MATERIAL:**

Reinforced polyamide.  
Oils and greases resistant.

**SURFACE:**

Satin.

**COLOUR:**

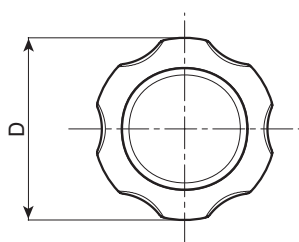
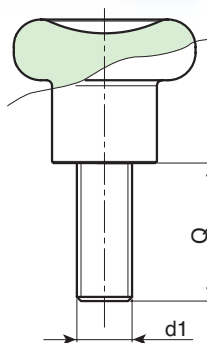
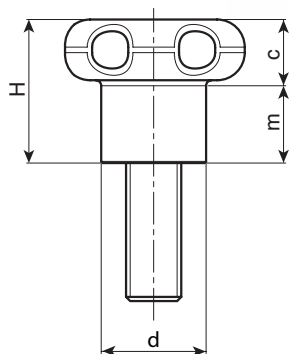
Black (RAL 9011).

**MAIN INSERT:**

Zinc plated steel threaded stud.

**SPECIAL REQUESTS:**

- It is possible to supply the inserts in different materials, on request and for quantities.
- It is possible to supply colours as shown in the table at page 23, on request and for quantities.



| Art.              | D  | d  | H    | m  | c   | d1  | Q     | LM | Weight (gr) |
|-------------------|----|----|------|----|-----|-----|-------|----|-------------|
| F111022.TM04X..01 | 22 | 12 | 17,5 | 11 | 6,5 | M04 | 16-30 | 50 | -           |
| F111022.TM05X..01 | 22 | 12 | 17,5 | 11 | 6,5 | M05 | 16-30 | 50 | -           |
| F111027.TM05X..01 | 27 | 14 | 22   | 13 | 9   | M05 | 20-40 | 60 | -           |
| F111027.TM06X..01 | 27 | 14 | 22   | 13 | 9   | M06 | 20-40 | 60 | -           |
| F111033.TM08X..01 | 33 | 19 | 26   | 15 | 11  | M08 | 20-40 | 70 | -           |
| F111033.TM10X..01 | 33 | 19 | 26   | 15 | 11  | M10 | 20-50 | 70 | -           |

Enter the stud length in the two .. of the code number

LM = Maximum mouldable length



**BOTECA**

# ART. F175

## 6-LOBE HANDWHEEL WITH THREADED FEMALE INSERT

**MATERIAL:**  
Reinforced polyamide.  
Oils and greases resistant.

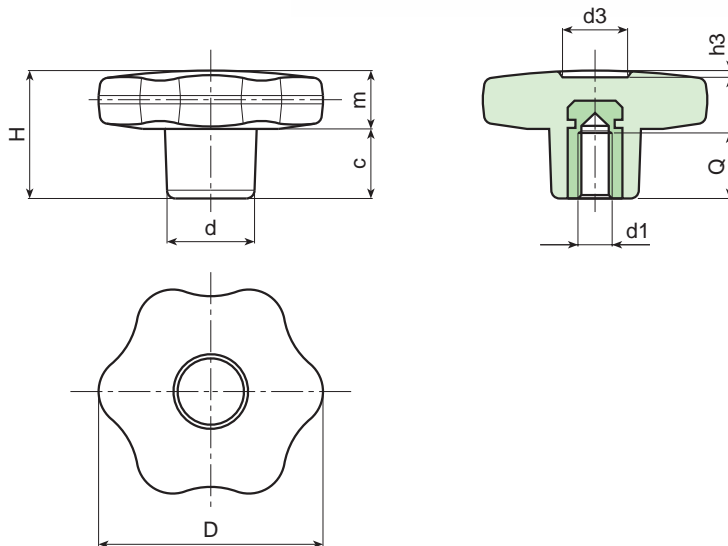
**SURFACE:**  
Satin.

**COLOUR:**  
Black (RAL 9011).

**MAIN INSERT:**  
Brass blind threaded bush.

**SPECIAL REQUESTS:**

- It is possible to supply the inserts in different materials, on request and for quantities.
- It is possible to supply colours as shown in the table at page 23, on request and for quantities.



| Art.          | D  | H    | d  | c  | m    | d3   | h3  | Q  | d1  | Weight (gr) |
|---------------|----|------|----|----|------|------|-----|----|-----|-------------|
| F17530.TM0401 | 30 | 22   | 15 | 11 | 11   | 9    | 1,5 | 7  | M4  | 11,5        |
| F17530.TM0501 | 30 | 22   | 15 | 11 | 11   | 9    | 1,5 | 14 | M5  | 11,5        |
| F17530.TM0601 | 30 | 22   | 15 | 11 | 11   | 9    | 1,5 | 10 | M6  | 12          |
| F17530.TM0801 | 30 | 22   | 15 | 11 | 11   | 9    | 1,5 | 14 | M8  | 13,5        |
| F17530.TM1001 | 30 | 22   | 15 | 11 | 11   | 9    | 1,5 | 14 | M10 | 14          |
| F17540.TM0501 | 40 | 24,5 | 17 | 12 | 12,5 | 12   | 1   | 14 | M5  | 22          |
| F17540.TM0601 | 40 | 24,5 | 17 | 12 | 12,5 | 12   | 1   | 16 | M6  | 22          |
| F17540.TM0801 | 40 | 24,5 | 17 | 12 | 12,5 | 12   | 1   | 14 | M8  | 21,5        |
| F17540.TM1001 | 40 | 24,5 | 17 | 12 | 12,5 | 12   | 1   | 14 | M10 | 21          |
| F17550.TM0601 | 50 | 29   | 20 | 14 | 15   | 14,5 | 1,5 | 16 | M6  | 36          |
| F17550.TM0801 | 50 | 29   | 20 | 14 | 15   | 14,5 | 1,5 | 14 | M8  | 36          |
| F17550.TM1001 | 50 | 29   | 20 | 14 | 15   | 14,5 | 1,5 | 14 | M10 | 37          |
| F17550.TM1201 | 50 | 29   | 20 | 14 | 15   | 14,5 | 1,5 | 18 | M12 | 39          |
| F17560.TM0801 | 60 | 34   | 24 | 16 | 18   | 18   | 1,5 | 19 | M8  | 59          |
| F17560.TM1001 | 60 | 34   | 24 | 16 | 18   | 18   | 1,5 | 21 | M10 | 59          |
| F17560.TM1201 | 60 | 34   | 24 | 16 | 18   | 18   | 1,5 | 18 | M12 | 62          |
| F17560.TM1401 | 60 | 34   | 24 | 16 | 18   | 18   | 1,5 | 19 | M14 | 63          |



**BOTECA**

# ART. F175 CIN

## 6-LOBE HANDWHEEL WITH STAINLESS STEEL THREADED FEMALE INSERT

**INOX**

**MATERIAL:**  
Reinforced polyamide.  
Oils and greases resistant.

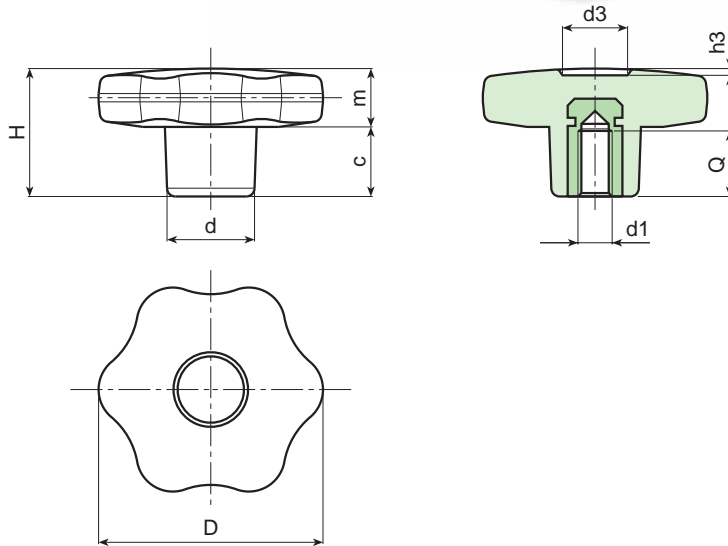
**SURFACE:**  
Satin.

**COLOUR:**  
Black (RAL 9011).

**MAIN INSERT:**  
Stainless steel blind threaded bush (AISI 303).

**SPECIAL REQUESTS:**

- It is possible to supply colours as shown in the table at page 23, on request and for quantities.



| Art.              | D  | H    | d  | c  | m    | d3   | h3  | Q  | d1  | Weight (gr) |
|-------------------|----|------|----|----|------|------|-----|----|-----|-------------|
| F17530.TM0501 CIN | 30 | 22   | 15 | 11 | 11   | 9    | 1,5 | 14 | M5  | 13          |
| F17530.TM0601 CIN | 30 | 22   | 15 | 11 | 11   | 9    | 1,5 | 10 | M6  | 13          |
| F17530.TM0801 CIN | 30 | 22   | 15 | 11 | 11   | 9    | 1,5 | 14 | M8  | 13          |
| F17540.TM0601 CIN | 40 | 24,5 | 17 | 12 | 12,5 | 12   | 1   | 16 | M6  | 13          |
| F17540.TM0801 CIN | 40 | 24,5 | 17 | 12 | 12,5 | 12   | 1   | 14 | M8  | 13          |
| F17540.TM1001 CIN | 40 | 24,5 | 17 | 12 | 12,5 | 12   | 1   | 14 | M10 | 13          |
| F17550.TM0801 CIN | 50 | 29   | 20 | 14 | 15   | 14,5 | 1,5 | 14 | M8  | 13          |
| F17550.TM1001 CIN | 50 | 29   | 20 | 14 | 15   | 14,5 | 1,5 | 14 | M10 | 13          |
| F17560.TM1001 CIN | 60 | 34   | 24 | 16 | 18   | 18   | 1,5 | 21 | M10 | 13          |
| F17560.TM1201 CIN | 60 | 34   | 24 | 16 | 18   | 18   | 1,5 | 18 | M12 | 13          |



**BOTECA**

# ART. F176

## 6-LOBE HANDWHEEL WITH SMOOTH HOLE

**MATERIAL:**  
Reinforced polyamide.  
Oils and greases resistant.

**SURFACE:**  
Satin.

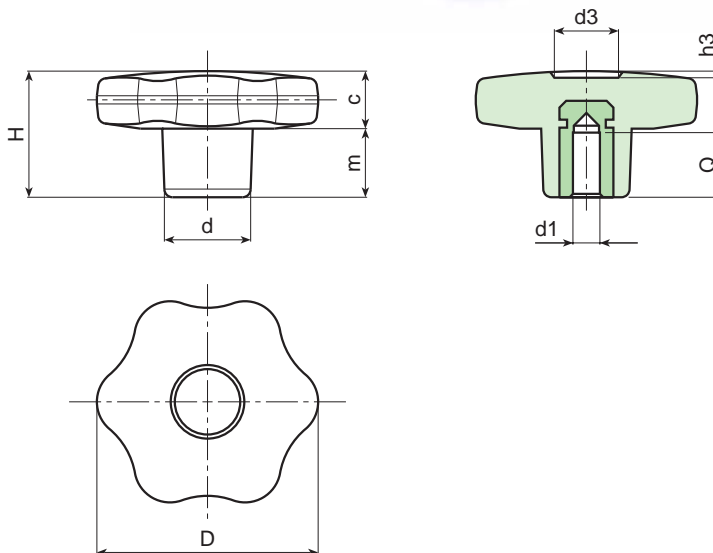
**COLOUR:**  
Black (RAL 9011).

**MAIN INSERT:**  
Brass blind bored bush with H7 tolerance.  
(\* ) Zinc plated steel blind bored bush with H7 tolerance.



**SPECIAL REQUESTS:**

- It is possible to supply the inserts with d1 diameter by customer design, on request and for quantities.
- It is possible to supply the inserts in different materials, on request and for quantities.
- It is possible to supply colours as shown in the table at page 23, on request and for quantities.



| Art.          | D  | H    | d  | c  | m    | d3   | h3  | Q  | d1 H7   | Weight (gr) |
|---------------|----|------|----|----|------|------|-----|----|---------|-------------|
| F17630.TD0601 | 30 | 22   | 15 | 11 | 11   | 9    | 1,5 | 15 | 06      | 17          |
| F17630.TD0801 | 30 | 22   | 15 | 11 | 11   | 9    | 1,5 | 15 | 08      | 19          |
| F17640.TD0601 | 40 | 24,5 | 17 | 12 | 12,5 | 12   | 1   | 15 | 06      | 24          |
| F17640.TD0801 | 40 | 24,5 | 17 | 12 | 12,5 | 12   | 1   | 15 | 08      | 26          |
| F17640.TD1001 | 40 | 24,5 | 17 | 12 | 12,5 | 12   | 1   | 17 | 10      | 28          |
| F17650.TD0601 | 50 | 29   | 20 | 14 | 15   | 14,5 | 1,5 | 15 | 06      | 39          |
| F17650.TD0801 | 50 | 29   | 20 | 14 | 15   | 14,5 | 1,5 | 15 | 08      | 41          |
| F17650.TD1001 | 50 | 29   | 20 | 14 | 15   | 14,5 | 1,5 | 17 | 10      | 42          |
| F17660.TD0801 | 60 | 34   | 24 | 16 | 18   | 18   | 1,5 | 18 | (* ) 08 | 78          |
| F17660.TD1001 | 60 | 34   | 24 | 16 | 18   | 18   | 1,5 | 25 | (* ) 10 | 73          |
| F17660.TD1201 | 60 | 34   | 24 | 16 | 18   | 18   | 1,5 | 22 | (* ) 12 | 75          |



**BOTECA**

# ART. F177

## 6-LOBE HANDWHEEL WITH THREADED THROUGH FEMALE INSERT

**MATERIAL:**  
Reinforced polyamide.  
Oils and greases resistant.

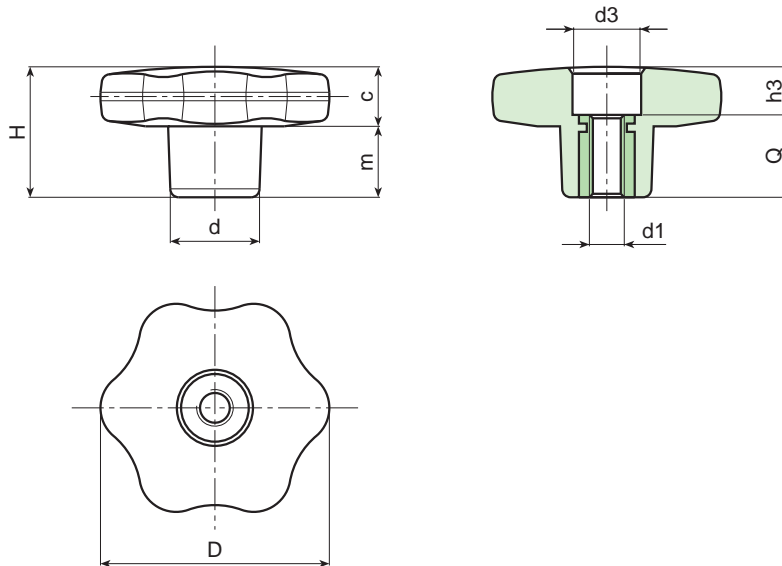
**SURFACE:**  
Satin.

**COLOUR:**  
Black (RAL 9011).

**MAIN INSERT:**  
Brass right through threaded bush.

**SPECIAL REQUESTS:**

- It is possible to supply the inserts in different materials, on request and for quantities.
- It is possible to supply colours as shown in the table at page 23, on request and for quantities.



| Art.          | D  | H    | d  | c  | m    | d3 | h3 | Q  | d1  | Weight (gr) |
|---------------|----|------|----|----|------|----|----|----|-----|-------------|
| F17730.TM0501 | 30 | 22   | 15 | 11 | 11   | 11 | 4  | 18 | M5  | 12          |
| F17730.TM0601 | 30 | 22   | 15 | 11 | 11   | 11 | 4  | 18 | M6  | 13          |
| F17730.TM0801 | 30 | 22   | 15 | 11 | 11   | 11 | 4  | 18 | M8  | 13          |
| F17730.TM1001 | 30 | 22   | 15 | 11 | 11   | 11 | 4  | 18 | M10 | 14          |
| F17740.TM0601 | 40 | 24,5 | 17 | 12 | 12,5 | 12 | 6  | 18 | M6  | 20          |
| F17740.TM0801 | 40 | 24,5 | 17 | 12 | 12,5 | 12 | 6  | 18 | M8  | 21          |
| F17740.TM1001 | 40 | 24,5 | 17 | 12 | 12,5 | 12 | 6  | 18 | M10 | 22          |
| F17750.TM0601 | 50 | 29   | 20 | 14 | 15   | 14 | 11 | 18 | M6  | 33          |
| F17750.TM0801 | 50 | 29   | 20 | 14 | 15   | 14 | 11 | 18 | M8  | 34          |
| F17750.TM1001 | 50 | 29   | 20 | 14 | 15   | 14 | 11 | 18 | M10 | 35          |
| F17750.TM1201 | 50 | 29   | 20 | 14 | 15   | 14 | 11 | 18 | M12 | 35          |
| F17760.TM0801 | 60 | 34   | 24 | 16 | 18   | 15 | 16 | 18 | M8  | 54          |
| F17760.TM1001 | 60 | 34   | 24 | 16 | 18   | 15 | 16 | 18 | M10 | 55          |
| F17760.TM1201 | 60 | 34   | 24 | 16 | 18   | 15 | 16 | 18 | M12 | 55          |
| F17760.TM1401 | 60 | 34   | 24 | 16 | 18   | 15 | 16 | 18 | M14 | 56          |



**BOTECA**

# ART. F177 CIN

## 6-LOBE HANDWHEEL WITH STAINLESS STEEL THREADED THROUGH FEMALE INSERT

**INOX**

MATERIAL:  
Reinforced polyamide.  
Oils and greases resistant.

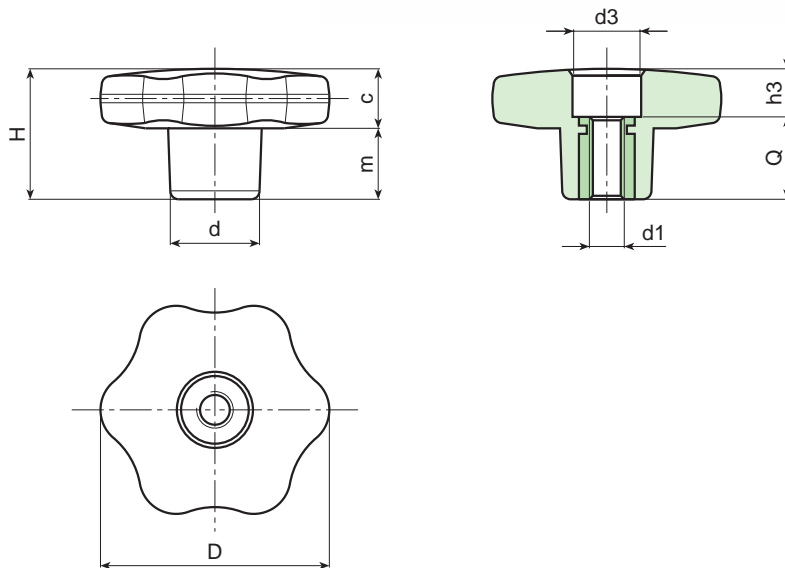
SURFACE:  
Satin.

COLOUR:  
Black (RAL 9011).

MAIN INSERT:  
Stainless steel right through threaded bush (AISI 303).

**SPECIAL REQUESTS:**

- It is possible to supply colours as shown in the table at page 23, on request and for quantities.



| Art.              | D  | H    | d  | c  | m    | d3 | h3 | Q  | d1  | Weight (gr) |
|-------------------|----|------|----|----|------|----|----|----|-----|-------------|
| F17730.TM0501 CIN | 30 | 22   | 15 | 11 | 11   | 11 | 4  | 18 | M5  | 14          |
| F17730.TM0601 CIN | 30 | 22   | 15 | 11 | 11   | 11 | 4  | 18 | M6  | 15          |
| F17730.TM0801 CIN | 30 | 22   | 15 | 11 | 11   | 11 | 4  | 18 | M8  | 14          |
| F17740.TM0601 CIN | 40 | 24,5 | 17 | 12 | 12,5 | 12 | 6  | 18 | M6  | 22          |
| F17740.TM0801 CIN | 40 | 24,5 | 17 | 12 | 12,5 | 12 | 6  | 18 | M8  | 21          |
| F17740.TM1001 CIN | 40 | 24,5 | 17 | 12 | 12,5 | 12 | 6  | 18 | M10 | 20          |
| F17750.TM0801 CIN | 50 | 29   | 20 | 14 | 15   | 14 | 11 | 18 | M8  | 37          |
| F17750.TM1001 CIN | 50 | 29   | 20 | 14 | 15   | 14 | 11 | 18 | M10 | 36          |
| F17750.TM1201 CIN | 50 | 29   | 20 | 14 | 15   | 14 | 11 | 18 | M12 | 36          |
| F17760.TM1001 CIN | 60 | 34   | 24 | 16 | 18   | 15 | 16 | 18 | M10 | 59          |
| F17760.TM1201 CIN | 60 | 34   | 24 | 16 | 18   | 15 | 16 | 18 | M12 | 59          |



**BOTECA**

# ART. F178

## 6-LOBE HANDWHEEL WITH THREADED STUD

**MATERIAL:**  
Reinforced polyamide.  
Oils and greases resistant.

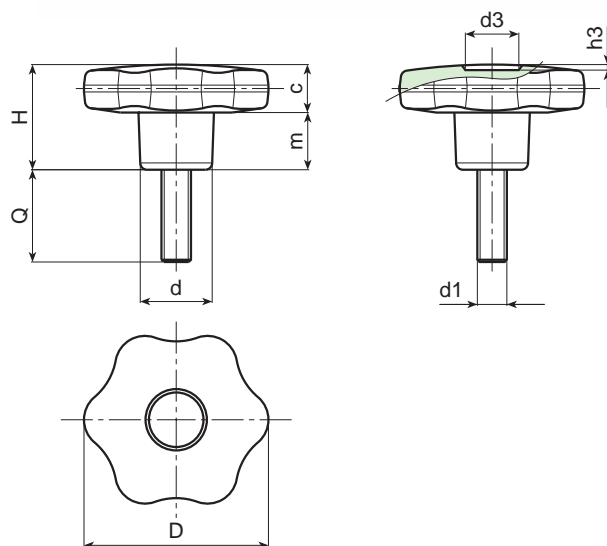
**SURFACE:**  
Satin.

**COLOUR:**  
Black (RAL 9011).

**MAIN INSERT:**  
Zinc plated steel threaded stud.

**SPECIAL REQUESTS:**

- It is possible to supply the inserts with different lengths, on request and for quantities.
- It is possible to supply the inserts in different materials, on request and for quantities.
- It is possible to supply colours as shown in the table at page 23, on request and for quantities.



| Art.             | D  | H    | d  | c  | m    | d3   | h3  | d1  | Q           | LM  | Weight (gr)    |
|------------------|----|------|----|----|------|------|-----|-----|-------------|-----|----------------|
| F17830.TM05X..01 | 30 | 22   | 15 | 11 | 11   | 9    | 1,5 | M5  | 16-20-30    | 80  | 14-15-16       |
| F17830.TM06X..01 | 30 | 22   | 15 | 11 | 11   | 9    | 1,5 | M6  | 16-20-30    | 80  | 16-17-18       |
| F17830.TM08X..01 | 30 | 22   | 15 | 11 | 11   | 9    | 1,5 | M8  | 16-20-30-40 | 80  | 19-21-25-28    |
| F17830.TM10X..01 | 30 | 22   | 15 | 11 | 11   | 9    | 1,5 | M10 | 20-30-40    | 80  | 28-33-39       |
| F17840.TM06X..01 | 40 | 24,5 | 17 | 12 | 12,5 | 12   | 1   | M6  | 16-20-30-40 | 130 | 25-25-27-28    |
| F17840.TM08X..01 | 40 | 24,5 | 17 | 12 | 12,5 | 12   | 1   | M8  | 20-30-40-50 | 130 | 30-33-36-39    |
| F17840.TM10X..01 | 40 | 24,5 | 17 | 12 | 12,5 | 12   | 1   | M10 | 20-30-40-50 | 130 | 37-41-45-49    |
| F17850.TM08X..01 | 50 | 29   | 20 | 14 | 15   | 14,5 | 1,5 | M8  | 20-30-40    | 80  | 49-52-55       |
| F17850.TM10X..01 | 50 | 29   | 20 | 14 | 15   | 14,5 | 1,5 | M10 | 20-30-40-50 | 80  | 55-60-61-64    |
| F17850.TM12X..01 | 50 | 29   | 20 | 14 | 15   | 14,5 | 1,5 | M12 | 20-30-40-50 | 80  | 63-67-72-77    |
| F17860.TM08X..01 | 60 | 34   | 24 | 16 | 18   | 18   | 1,5 | M8  | 20-30-40    | 80  | 68-71-74       |
| F17860.TM10X..01 | 60 | 34   | 24 | 16 | 18   | 18   | 1,5 | M10 | 20-30-40-50 | 80  | 74-80-85-88    |
| F17860.TM12X..01 | 60 | 34   | 24 | 16 | 18   | 18   | 1,5 | M12 | 20-30-40-50 | 80  | 95-102-109-116 |
| F17860.TM14X..01 | 60 | 34   | 24 | 16 | 18   | 18   | 1,5 | M14 | 30-40-50    | 80  | 103-113-122    |

Enter the stud length in the two .. of the code number

LM = Maximum mouldable length



**BOTECA**



# ART. F178 CIN

## 6-LOBE HANDWHEEL WITH STAINLESS STEEL THREADED STUD

**INOX**

**MATERIAL:**  
Reinforced polyamide.  
Oils and greases resistant.

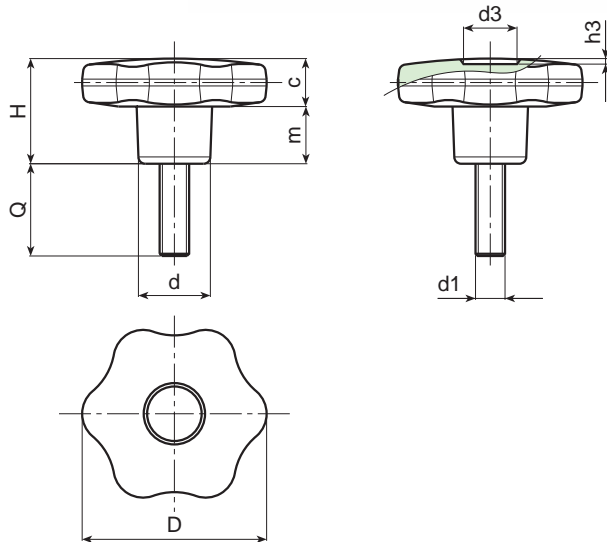
**SURFACE:**  
Satin.

**COLOUR:**  
Black (RAL 9011).

**MAIN INSERT:**  
Stainless steel threaded stud (AISI 304).

**SPECIAL REQUESTS:**

- It is possible to supply the inserts with different lengths, on request and for quantities.
- It is possible to supply colours as shown in the table at page 23, on request and for quantities.



| Art.                 | D  | H    | d  | c  | m    | d3   | h3  | d1  | Q           | LM  | Weight (gr)     |
|----------------------|----|------|----|----|------|------|-----|-----|-------------|-----|-----------------|
| F17830.TM05X..01 CIN | 30 | 22   | 15 | 11 | 11   | 9    | 1,5 | M5  | 20-40       | 80  | 18-20           |
| F17830.TM06X..01 CIN | 30 | 22   | 15 | 11 | 11   | 9    | 1,5 | M6  | 20-40       | 80  | 20-22           |
| F17830.TM08X..01 CIN | 30 | 22   | 15 | 11 | 11   | 9    | 1,5 | M8  | 20-30-40    | 80  | 24-28-32        |
| F17830.TM10X..01 CIN | 30 | 22   | 15 | 11 | 11   | 9    | 1,5 | M10 | 20-30-40    | 80  | 33-39-42        |
| F17840.TM06X..01 CIN | 40 | 24,5 | 17 | 12 | 12,5 | 12   | 1   | M6  | 20-40       | 130 | 26-31           |
| F17840.TM08X..01 CIN | 40 | 24,5 | 17 | 12 | 12,5 | 12   | 1   | M8  | 20-30-40    | 130 | 33-36-39        |
| F17840.TM10X..01 CIN | 40 | 24,5 | 17 | 12 | 12,5 | 12   | 1   | M10 | 20-30-40    | 130 | 40-44-49        |
| F17850.TM08X..01 CIN | 50 | 29   | 20 | 14 | 15   | 14,5 | 1,5 | M8  | 20-30-40    | 130 | 52-55-58        |
| F17850.TM10X..01 CIN | 50 | 29   | 20 | 14 | 15   | 14,5 | 1,5 | M10 | 20-30-40-50 | 130 | 59-63-64-67     |
| F17850.TM12X..01 CIN | 50 | 29   | 20 | 14 | 15   | 14,5 | 1,5 | M12 | 20-30-40-50 | 130 | 67-72-77-82     |
| F17860.TM08X..01 CIN | 60 | 34   | 24 | 16 | 18   | 18   | 1,5 | M8  | 20-30-40    | 130 | 70-73-77        |
| F17860.TM10X..01 CIN | 60 | 34   | 24 | 16 | 18   | 18   | 1,5 | M10 | 20-30-40-50 | 130 | 79-85-90-93     |
| F17860.TM12X..01 CIN | 60 | 34   | 24 | 16 | 18   | 18   | 1,5 | M12 | 20-30-40-50 | 130 | 101-108-115-123 |
| F17860.TM14X..01 CIN | 60 | 34   | 24 | 16 | 18   | 18   | 1,5 | M14 | 30-40-50    | 130 | 111-123-132     |

Enter the stud length in the two .. of the code number

LM = Maximum mouldable length



**BOTECA**

# ART. F186

## CROSS HANDWHEEL WITH THREADED FEMALE INSERT

**MATERIAL:**  
Reinforced polyamide.  
Oils and greases resistant.

**SURFACE:**  
Satin.

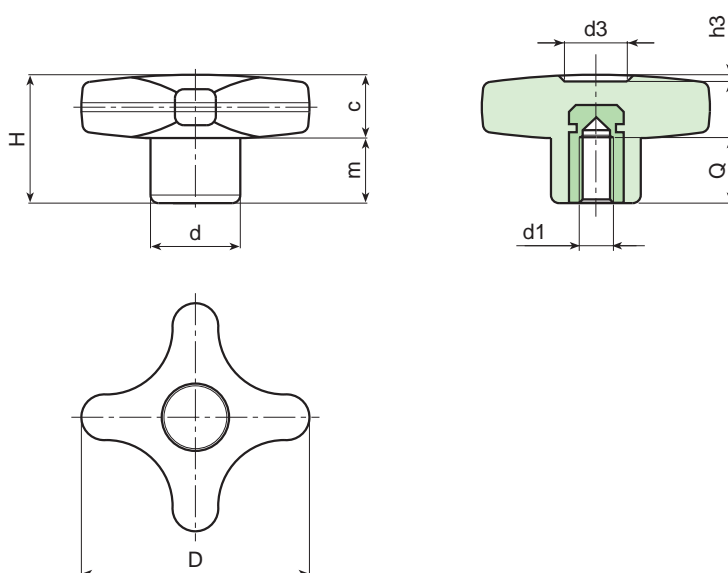
**COLOUR:**  
Black (RAL 9011).

**MAIN INSERT:**  
Brass blind threaded bush.



**SPECIAL REQUESTS:**

- It is possible to supply the inserts in different materials, on request and for quantities.
- It is possible to supply colours as shown in the table at page 23, on request and for quantities.



| Art.          | D  | H    | d  | c    | m    | d3 | h3  | Q  | d1  | Weight (gr) |
|---------------|----|------|----|------|------|----|-----|----|-----|-------------|
| F18632.TM0401 | 32 | 23   | 15 | 11   | 12   | 11 | 1,5 | 7  | M4  | 11          |
| F18632.TM0501 | 32 | 23   | 15 | 11   | 12   | 11 | 1,5 | 14 | M5  | 11,5        |
| F18632.TM0601 | 32 | 23   | 15 | 11   | 12   | 11 | 1,5 | 10 | M6  | 12          |
| F18632.TM0801 | 32 | 23   | 15 | 11   | 12   | 11 | 1,5 | 14 | M8  | 12,5        |
| F18632.TM1001 | 32 | 23   | 15 | 11   | 12   | 11 | 1,5 | 14 | M10 | 13          |
| F18640.TM0501 | 40 | 24,5 | 16 | 12   | 12,5 | 13 | 1,5 | 14 | M5  | 14          |
| F18640.TM0601 | 40 | 24,5 | 16 | 12   | 12,5 | 13 | 1,5 | 16 | M6  | 15          |
| F18640.TM0801 | 40 | 24,5 | 16 | 12   | 12,5 | 13 | 1,5 | 14 | M8  | 16          |
| F18640.TM1001 | 40 | 24,5 | 16 | 12   | 12,5 | 13 | 1,5 | 14 | M10 | 17          |
| F18650.TM0601 | 50 | 29   | 20 | 14   | 15   | 14 | 2   | 16 | M6  | 25          |
| F18650.TM0801 | 50 | 29   | 20 | 14   | 15   | 14 | 2   | 14 | M8  | 26          |
| F18650.TM1001 | 50 | 29   | 20 | 14   | 15   | 14 | 2   | 14 | M10 | 27          |
| F18650.TM1201 | 50 | 29   | 20 | 14   | 15   | 14 | 2   | 18 | M12 | 29          |
| F18660.TM0801 | 60 | 34   | 24 | 15,5 | 18,5 | 18 | 2   | 19 | M8  | 40          |
| F18660.TM1001 | 60 | 34   | 24 | 15,5 | 18,5 | 18 | 2   | 21 | M10 | 43          |
| F18660.TM1201 | 60 | 34   | 24 | 15,5 | 18,5 | 18 | 2   | 18 | M12 | 44          |
| F18660.TM1401 | 60 | 34   | 24 | 15,5 | 18,5 | 18 | 2   | 19 | M14 | 47          |



**BOTECA**

# ART. F186 CIN

## CROSS HANDWHEEL WITH STAINLESS STEEL THREADED FEMALE INSERT

**INOX**

**MATERIAL:**  
Reinforced polyamide.  
Oils and greases resistant.

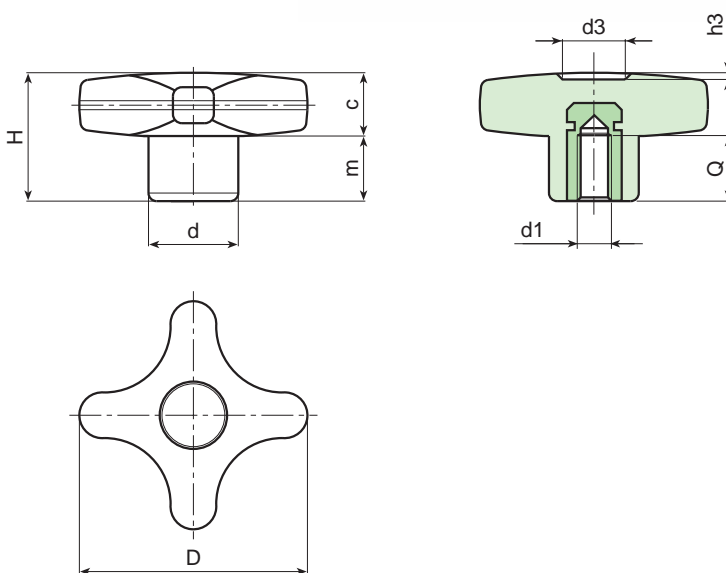
**SURFACE:**  
Satin.

**COLOUR:**  
Black (RAL 9011).

**MAIN INSERT:**  
Stainless steel blind threaded bush (AISI 303).

**SPECIAL REQUESTS:**

- It is possible to supply colours as shown in the table at page 23, on request and for quantities.



| Art.              | D  | H    | d  | c    | m    | d3 | h3  | Q  | d1  | Weight (gr) |
|-------------------|----|------|----|------|------|----|-----|----|-----|-------------|
| F18632.TM0501 CIN | 32 | 23   | 15 | 11   | 12   | 11 | 1,5 | 14 | M5  | 13          |
| F18632.TM0601 CIN | 32 | 23   | 15 | 11   | 12   | 11 | 1,5 | 10 | M6  | 15          |
| F18632.TM0801 CIN | 32 | 23   | 15 | 11   | 12   | 11 | 1,5 | 14 | M8  | 15          |
| F18640.TM0601 CIN | 40 | 24,5 | 16 | 12   | 12,5 | 13 | 1,5 | 16 | M6  | 17          |
| F18640.TM0801 CIN | 40 | 24,5 | 16 | 12   | 12,5 | 13 | 1,5 | 14 | M8  | 18          |
| F18640.TM1001 CIN | 40 | 24,5 | 16 | 12   | 12,5 | 13 | 1,5 | 14 | M10 | 19          |
| F18650.TM0801 CIN | 50 | 29   | 20 | 14   | 15   | 14 | 2   | 14 | M08 | 27          |
| F18650.TM1001 CIN | 50 | 29   | 20 | 14   | 15   | 14 | 2   | 14 | M10 | 29          |
| F18650.TM1201 CIN | 50 | 29   | 20 | 14   | 15   | 14 | 2   | 14 | M12 | 30          |
| F18660.TM1001 CIN | 60 | 34   | 24 | 15,5 | 18,5 | 18 | 2   | 21 | M10 | 45          |
| F18660.TM1201 CIN | 60 | 34   | 24 | 15,5 | 18,5 | 18 | 2   | 18 | M12 | 46          |



**BOTECA**

# ART. F187

## CROSS HANDWHEEL WITH SMOOTH HOLE

**MATERIAL:**  
Reinforced polyamide.  
Oils and greases resistant.

**SURFACE:**  
Satin.

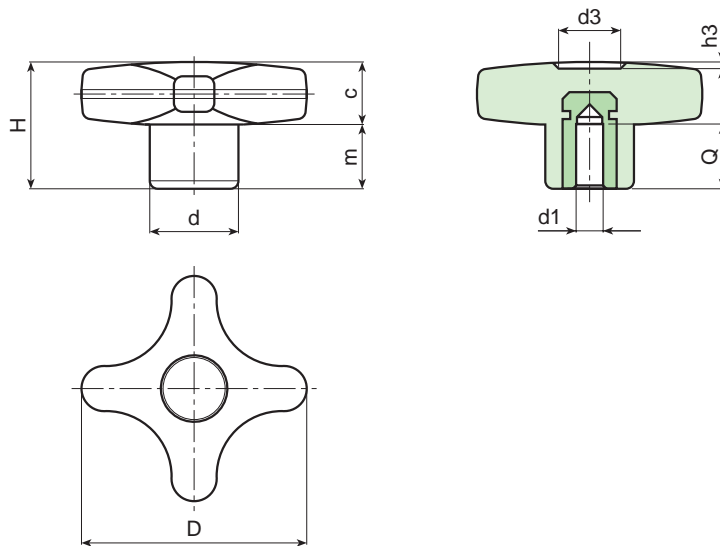
**COLOUR:**  
Black (RAL 9011).

**MAIN INSERT:**  
Brass blind bored bush with H7 tolerance.  
(\* ) Zinc plated steel blind bored bush with H7 tolerance.



**SPECIAL REQUESTS:**

- It is possible to supply the inserts with d1 diameter by customer design, on request and for quantities.
- It is possible to supply the inserts in different materials, on request and for quantities.
- It is possible to supply colours as shown in the table at page 23, on request and for quantities.



| Art.          | D  | H    | d  | c    | m    | d3 | h3  | Q  | d1 H7   | Weight (gr) |
|---------------|----|------|----|------|------|----|-----|----|---------|-------------|
| F18732.TD0601 | 32 | 23   | 15 | 11   | 12   | 11 | 1,5 | 15 | 06      | 13          |
| F18732.TD0801 | 32 | 23   | 15 | 11   | 12   | 11 | 1,5 | 15 | 08      | 14          |
| F18740.TD0601 | 40 | 24,5 | 16 | 12   | 12,5 | 13 | 1,5 | 15 | 06      | 18          |
| F18740.TD0801 | 40 | 24,5 | 16 | 12   | 12,5 | 13 | 1,5 | 15 | 08      | 21          |
| F18740.TD1001 | 40 | 24,5 | 16 | 12   | 12,5 | 13 | 1,5 | 17 | 10      | 20          |
| F18750.TD0601 | 50 | 29   | 20 | 14   | 15   | 14 | 2   | 15 | 06      | 29          |
| F18750.TD0801 | 50 | 29   | 20 | 14   | 15   | 14 | 2   | 15 | 08      | 31          |
| F18750.TD1001 | 50 | 29   | 20 | 14   | 15   | 14 | 2   | 17 | 10      | 32          |
| F18760.TD0801 | 60 | 34   | 24 | 15,5 | 18,5 | 18 | 2   | 18 | (* ) 08 | 70          |
| F18760.TD1001 | 60 | 34   | 24 | 15,5 | 18,5 | 18 | 2   | 25 | (* ) 10 | 65          |
| F18760.TD1201 | 60 | 34   | 24 | 15,5 | 18,5 | 18 | 2   | 22 | (* ) 12 | 60          |



**BOTECA**

# ART. F188

## CROSS HANDWHEEL WITH THREADED THROUGH FEMALE INSERT

**MATERIAL:**  
Reinforced polyamide.  
Oils and greases resistant.

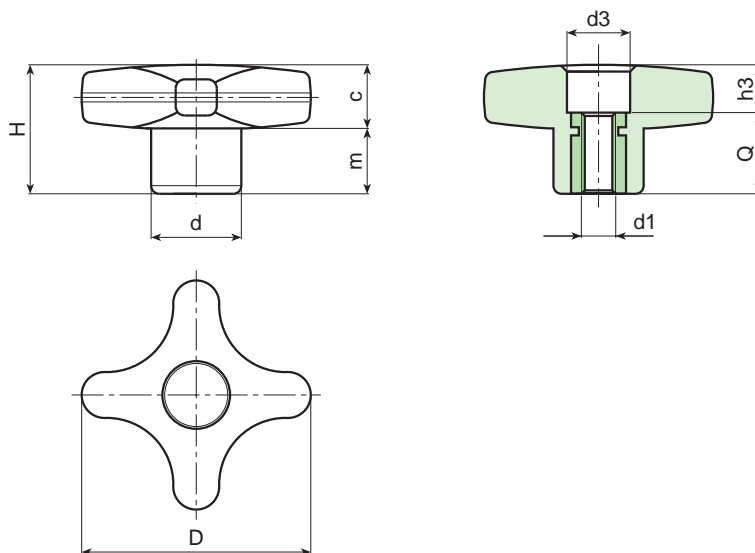
**SURFACE:**  
Satin.

**COLOUR:**  
Black (RAL 9011).

**MAIN INSERT:**  
Brass right through threaded bush.

**SPECIAL REQUESTS:**

- It is possible to supply the inserts in different materials, on request and for quantities.
- It is possible to supply colours as shown in the table at page 23, on request and for quantities.



| Art.          | D  | H    | d  | c    | m    | d3 | h3  | Q  | d1  | Weight (gr) |
|---------------|----|------|----|------|------|----|-----|----|-----|-------------|
| F18832.TM0401 | 32 | 23   | 15 | 11   | 11   | 10 | 5   | 18 | M4  | 9           |
| F18832.TM0501 | 32 | 23   | 15 | 11   | 11   | 10 | 5   | 18 | M5  | 10          |
| F18832.TM0601 | 32 | 23   | 15 | 11   | 11   | 10 | 5   | 18 | M6  | 10,5        |
| F18832.TM0801 | 32 | 23   | 15 | 11   | 11   | 10 | 5   | 18 | M8  | 11          |
| F18840.TM0601 | 40 | 24,5 | 16 | 12   | 12,5 | 12 | 6,5 | 18 | M6  | 13          |
| F18840.TM0801 | 40 | 24,5 | 16 | 12   | 12,5 | 12 | 6,5 | 18 | M8  | 15          |
| F18840.TM1001 | 40 | 24,5 | 16 | 12   | 12,5 | 12 | 6,5 | 18 | M10 | 16          |
| F18850.TM0601 | 50 | 29   | 20 | 14   | 15   | 14 | 11  | 18 | M6  | 23          |
| F18850.TM0801 | 50 | 29   | 20 | 14   | 15   | 14 | 11  | 18 | M8  | 24          |
| F18850.TM1001 | 50 | 29   | 20 | 14   | 15   | 14 | 11  | 18 | M10 | 25          |
| F18850.TM1201 | 50 | 29   | 20 | 14   | 15   | 14 | 11  | 18 | M12 | 26          |
| F18860.TM0801 | 60 | 34   | 24 | 15,5 | 18,5 | 16 | 16  | 18 | M8  | 34          |
| F18860.TM1001 | 60 | 34   | 24 | 15,5 | 18,5 | 16 | 16  | 18 | M10 | 38          |
| F18860.TM1201 | 60 | 34   | 24 | 15,5 | 18,5 | 16 | 16  | 18 | M12 | 40          |
| F18860.TM1401 | 60 | 34   | 24 | 15,5 | 18,5 | 16 | 16  | 18 | M14 | 45          |



**BOTECA**

# ART. F188 CIN

## CROSS HANDWHEEL WITH STAINLESS STEEL THREADED THROUGH FEMALE INSERT

**INOX**

**MATERIAL:**  
Reinforced polyamide.  
Oils and greases resistant.

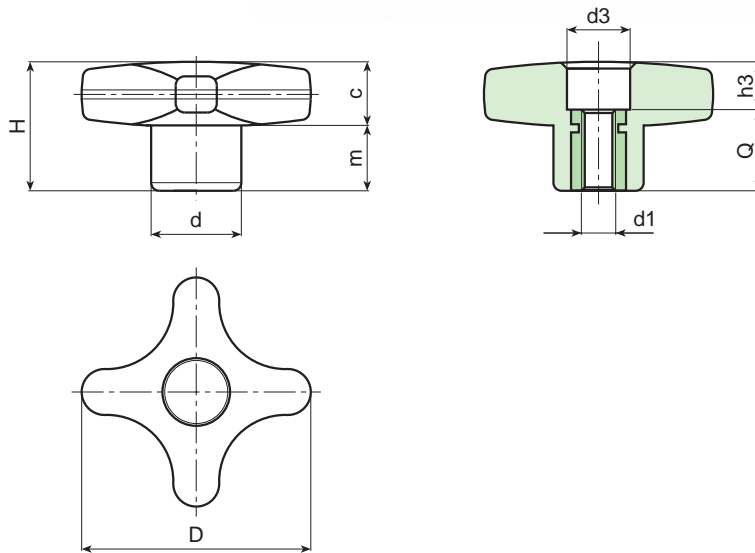
**SURFACE:**  
Satin.

**COLOUR:**  
Black (RAL 9011).

**MAIN INSERT:**  
Stainless steel right through threaded bush (AISI 303).

**SPECIAL REQUESTS:**

- It is possible to supply colours as shown in the table at page 23, on request and for quantities.



| Art.              | D  | H    | d  | c    | m    | d3 | h3  | Q  | d1  | Weight (gr) |
|-------------------|----|------|----|------|------|----|-----|----|-----|-------------|
| F18832.TM0501 CIN | 32 | 23   | 15 | 11   | 11   | 10 | 5   | 18 | M5  | 10          |
| F18832.TM0601 CIN | 32 | 23   | 15 | 11   | 11   | 10 | 5   | 18 | M6  | 10,5        |
| F18832.TM0801 CIN | 32 | 23   | 15 | 11   | 11   | 10 | 5   | 18 | M8  | 11          |
| F18840.TM0601 CIN | 40 | 24,5 | 16 | 12   | 12,5 | 12 | 6,5 | 18 | M6  | 13          |
| F18840.TM0801 CIN | 40 | 24,5 | 16 | 12   | 12,5 | 12 | 6,5 | 18 | M8  | 15          |
| F18840.TM1001 CIN | 40 | 24,5 | 16 | 12   | 12,5 | 12 | 6,5 | 18 | M10 | 16          |
| F18850.TM0801 CIN | 50 | 29   | 20 | 14   | 15   | 14 | 11  | 18 | M8  | 24          |
| F18850.TM1001 CIN | 50 | 29   | 20 | 14   | 15   | 14 | 11  | 18 | M10 | 25          |
| F18850.TM1201 CIN | 50 | 29   | 20 | 14   | 15   | 14 | 11  | 18 | M12 | 26          |
| F18860.TM1001 CIN | 60 | 34   | 24 | 15,5 | 18,5 | 16 | 16  | 18 | M10 | 38          |
| F18860.TM1201 CIN | 60 | 34   | 24 | 15,5 | 18,5 | 16 | 16  | 18 | M12 | 40          |



**BOTECA**

# ART. F189

## CROSS HANDWHEEL WITH THREADED STUD

**MATERIAL:**  
Reinforced polyamide.  
Oils and greases resistant.

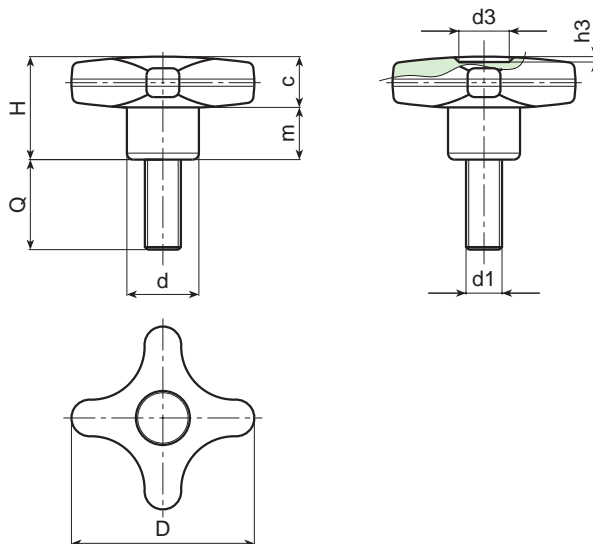
**SURFACE:**  
Satin.

**COLOUR:**  
Black (RAL 9011).

**MAIN INSERT:**  
Zinc plated steel threaded stud.

**SPECIAL REQUESTS:**

- It is possible to supply the inserts with different lengths, on request and for quantities.
- It is possible to supply the inserts in different materials, on request and for quantities.
- It is possible to supply colours as shown in the table at page 23, on request and for quantities.



| Art.             | D  | H    | d  | c    | m    | d3   | h3  | d1  | Q           | LM | Weight (gr) |
|------------------|----|------|----|------|------|------|-----|-----|-------------|----|-------------|
| F18932.TM05X..01 | 32 | 23   | 15 | 11   | 11   | 9    | 1,5 | M5  | 16-20-30    | 80 | 14-15-16    |
| F18932.TM06X..01 | 32 | 23   | 15 | 11   | 11   | 9    | 1,5 | M6  | 16-20-30    | 80 | 15-16-17    |
| F18932.TM08X..01 | 32 | 23   | 15 | 11   | 11   | 9    | 1,5 | M8  | 16-20-30-40 | 80 | 19-21-23-25 |
| F18932.TM10X..01 | 32 | 23   | 15 | 11   | 11   | 9    | 1,5 | M10 | 20-30-40    | 80 | 24-27-30    |
| F18940.TM06X..01 | 40 | 24,5 | 17 | 12   | 12,5 | 12   | 1   | M6  | 20-30-40-50 | 85 | 20-21-22-25 |
| F18940.TM08X..01 | 40 | 24,5 | 17 | 12   | 12,5 | 12   | 1   | M8  | 20-30-40-50 | 85 | 24-29-33-37 |
| F18940.TM10X..01 | 40 | 24,5 | 17 | 12   | 12,5 | 12   | 1   | M10 | 20-30-40-50 | 85 | 30-35-41-47 |
| F18950.TM08X..01 | 50 | 29   | 20 | 14   | 15   | 14,5 | 1,5 | M8  | 20-30-40    | 80 | 38-42-46    |
| F18950.TM10X..01 | 50 | 29   | 20 | 14   | 15   | 14,5 | 1,5 | M10 | 20-30-40-50 | 80 | 49-55-61-65 |
| F18950.TM12X..01 | 50 | 29   | 20 | 14   | 15   | 14,5 | 1,5 | M12 | 20-30-40-50 | 80 | 51-57-63-70 |
| F18960.TM08X..01 | 60 | 34   | 24 | 15,5 | 18,5 | 18   | 1,5 | M8  | 20-30-40    | 80 | 47-50-53    |
| F18960.TM10X..01 | 60 | 34   | 24 | 15,5 | 18,5 | 18   | 1,5 | M10 | 20-30-40-50 | 80 | 64-68-72    |
| F18960.TM12X..01 | 60 | 34   | 24 | 15,5 | 18,5 | 18   | 1,5 | M12 | 20-30-40-50 | 80 | 78-85-91-99 |
| F18960.TM14X..01 | 60 | 34   | 24 | 15,5 | 18,5 | 18   | 1,5 | M14 | 30-40-50    | 80 | 82-91-103   |

Enter the stud length in the two .. of the code number

LM = Maximum mouldable length



**BOTECA**

# ART. F189 CIN

## CROSS HANDWHEEL WITH STAINLESS STEEL THREADED STUD

**INOX**

**MATERIAL:**  
Reinforced polyamide.  
Oils and greases resistant.

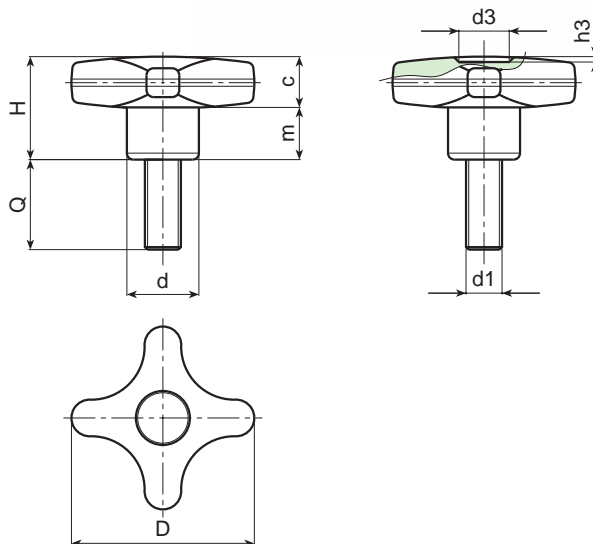
**SURFACE:**  
Satin.

**COLOUR:**  
Black (RAL 9011).

**MAIN INSERT:**  
Stainless steel threaded stud (AISI 304).

**SPECIAL REQUESTS:**

- It is possible to supply the inserts with different lengths, on request and for quantities.
- It is possible to supply colours as shown in the table at page 23, on request and for quantities.



| Art.                 | D  | H    | d  | c    | m    | d3   | h3  | d1  | Q           | LM | Weight (gr) |
|----------------------|----|------|----|------|------|------|-----|-----|-------------|----|-------------|
| F18932.TM05X..01 CIN | 32 | 23   | 15 | 11   | 11   | 9    | 1,5 | M5  | 20-40       | 80 | 17-19       |
| F18932.TM06X..01 CIN | 32 | 23   | 15 | 11   | 11   | 9    | 1,5 | M6  | 20-30       | 80 | 19-22       |
| F18932.TM08X..01 CIN | 32 | 23   | 15 | 11   | 11   | 9    | 1,5 | M8  | 20-30-40    | 80 | 24-26-29    |
| F18940.TM06X..01 CIN | 40 | 24,5 | 17 | 12   | 12,5 | 12   | 1   | M6  | 20-30-40    | 85 | 20-21-22    |
| F18940.TM08X..01 CIN | 40 | 24,5 | 17 | 12   | 12,5 | 12   | 1   | M8  | 20-30-40    | 85 | 24-29-33    |
| F18940.TM10X..01 CIN | 40 | 24,5 | 17 | 12   | 12,5 | 12   | 1   | M10 | 20-30-40    | 85 | 30-35-41-47 |
| F18950.TM08X..01 CIN | 50 | 29   | 20 | 14   | 15   | 14,5 | 1,5 | M8  | 20-30-40    | 80 | 38-42-46    |
| F18950.TM10X..01 CIN | 50 | 29   | 20 | 14   | 15   | 14,5 | 1,5 | M10 | 20-30-40-50 | 80 | 49-55-61-65 |
| F18950.TM12X..01 CIN | 50 | 29   | 20 | 14   | 15   | 14,5 | 1,5 | M12 | 20-30-40-50 | 80 | 51-57-63-70 |
| F18960.TM08X..01 CIN | 60 | 34   | 24 | 15,5 | 18,5 | 18   | 1,5 | M8  | 20-30-40    | 80 | 47-50-53    |
| F18960.TM10X..01 CIN | 60 | 34   | 24 | 15,5 | 18,5 | 18   | 1,5 | M10 | 20-30-40-50 | 80 | 64-68-72-76 |
| F18960.TM12X..01 CIN | 60 | 34   | 24 | 15,5 | 18,5 | 18   | 1,5 | M12 | 20-30-40-50 | 80 | 78-85-91-99 |
| F18960.TM14X..01 CIN | 60 | 34   | 24 | 15,5 | 18,5 | 18   | 1,5 | M14 | 30-40       | 80 | 100-110     |

Enter the stud length in the two .. of the code number

LM = Maximum mouldable length



**BOTECA**





# ART. F761-F661

## 3-LOBE HANDWHEEL WITH THREADED FEMALE INSERT

**MATERIAL:**  
Reinforced polyamide.  
Oils and greases resistant.

**SURFACE:**  
Satin.

**COLOUR:**  
Black (RAL 9011).

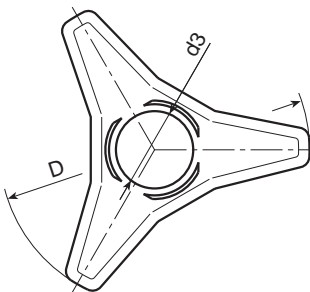
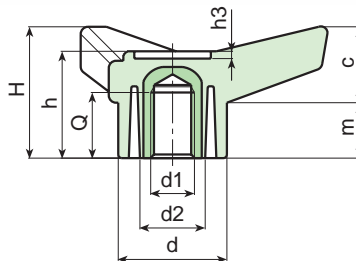
**MAIN INSERT:**  
Brass blind threaded bush.  
(\* ) Zinc plated steel blind threaded bush.

**HUB:**  
F661 Version - solid.  
F761 Version - hollow underneath.



**SPECIAL REQUESTS:**

- It is possible to supply the inserts in different materials, on request and for quantities.
- It is possible to supply colours as shown in the table at page 23, on request and for quantities.



| Art.       |           | Insert   | D   | H  | h    | d    | c    | m    | d2   | d3   | h3  | Q  | d1       | Weight (gr) |
|------------|-----------|----------|-----|----|------|------|------|------|------|------|-----|----|----------|-------------|
| hollow hub | solid hub |          |     |    |      |      |      |      |      |      |     |    |          |             |
| -          | F661      | -45 M06  | 45  | 21 | 18   | 16   | 11   | 10   | -/-  | 11   | 1   | 9  | M06      | 10          |
| -          | F661      | -45 M08  | 45  | 21 | 18   | 16   | 11   | 10   | -/-  | 11   | 1   | 11 | M08      | 14          |
| -          | F661      | -45 M10  | 45  | 21 | 18   | 16   | 11   | 10   | -/-  | 11   | 1   | 10 | M10      | 15          |
| -          | F661      | -65 M08  | 65  | 28 | 23,5 | 22   | 16,5 | 11,5 | -/-  | 15,5 | 1,5 | 11 | M08      | 28          |
| -          | F661      | -65 M10  | 65  | 28 | 23,5 | 22   | 16,5 | 11,5 | -/-  | 15,5 | 1,5 | 11 | M10      | 29          |
| -          | F661      | -65 M12  | 65  | 28 | 23,5 | 22   | 16,5 | 11,5 | -/-  | 15,5 | 1,5 | 13 | M12      | 31          |
| F761       | F661      | -85 M08  | 85  | 37 | 30,5 | 30   | 21   | 16   | 18/- | 21   | 2   | 15 | M08      | 53          |
| F761       | F661      | -85 M10  | 85  | 37 | 30,5 | 30   | 21   | 16   | 18/- | 21   | 2   | 14 | M10      | 55          |
| F761       | F661      | -85 M12  | 85  | 37 | 30,5 | 30   | 21   | 16   | 18/- | 21   | 2   | 19 | M12      | 60          |
| F761       | F661      | -105 M08 | 105 | 46 | 37,5 | 35   | 26   | 19   | 20/- | 25   | 2   | 15 | M08      | 89          |
| F761       | F661      | -105 M10 | 105 | 46 | 37,5 | 35   | 26   | 19   | 20/- | 25   | 2   | 17 | M10      | 90          |
| F761       | F661      | -105 M12 | 105 | 46 | 37,5 | 35   | 26   | 19   | 20/- | 25   | 2   | 17 | M12      | 97          |
| F761       | F661      | -105 M14 | 105 | 46 | 37,5 | 35   | 26   | 19   | 20/- | 25   | 2   | 19 | M14      | 98          |
| F761       | F661      | -125 M12 | 125 | 54 | 44   | 42,5 | 31   | 23   | 26/- | 28,5 | 2   | 18 | M12      | 160         |
| F761       | F661      | -125 M14 | 125 | 54 | 44   | 42,5 | 31   | 23   | 26/- | 28,5 | 2   | 18 | M14      | 165         |
| -          | F661      | -125 M16 | 125 | 54 | 44   | 42,5 | 31   | 23   | -/-  | 28,5 | 2   | 21 | (* ) M16 | 177         |
| -          | F661      | -125 M18 | 125 | 54 | 44   | 42,5 | 31   | 23   | -/-  | 28,5 | 2   | 21 | (* ) M18 | 182         |



**BOTECA**

# ART. F763-F663

## 3-LOBE HANDWHEEL WITH THREADED THROUGH FEMALE INSERT

**MATERIAL:**  
Reinforced polyamide.  
Oils and greases resistant.

**SURFACE:**  
Satin.

**COLOUR:**  
Black (RAL 9011).

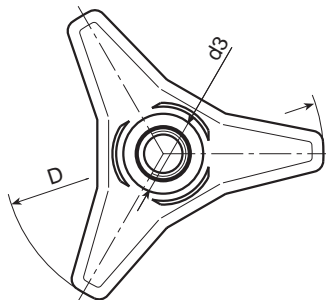
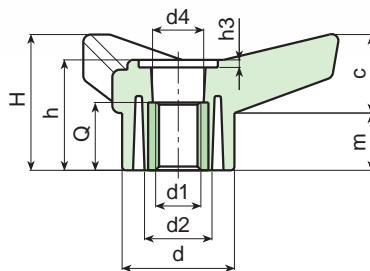
**MAIN INSERT:**  
Brass right through threaded bush.  
(\* ) Zinc plated steel blind threaded bush.

**HUB:**  
F661 Version - solid.  
F761 Version - hollow underneath.



**SPECIAL REQUESTS:**

- It is possible to supply the inserts in different materials, on request and for quantities.
- It is possible to supply colours as shown in the table at page 23, on request and for quantities.



| Art.       |           | D        | H   | h  | d    | c    | m    | d2   | d3   | d4   | h3   | Q   | d1   | Weight (gr) |     |
|------------|-----------|----------|-----|----|------|------|------|------|------|------|------|-----|------|-------------|-----|
| hollow hub | solid hub |          |     |    |      |      |      |      |      |      |      |     |      |             |     |
| -          | F663      | -45 M06  | 45  | 21 | 18   | 16   | 11   | 10   | -/-  | 11   | 10   | 1   | 12,5 | M06         | 11  |
| -          | F663      | -45 M08  | 45  | 21 | 18   | 16   | 11   | 10   | -/-  | 11   | 10   | 1   | 12,5 | M08         | 11  |
| -          | F663      | -45 M10  | 45  | 21 | 18   | 16   | 11   | 10   | -/-  | 11   | 10   | 1   | 12,5 | M10         | 11  |
| -          | F663      | -65 M08  | 65  | 28 | 23,5 | 22   | 16,5 | 11,5 | -/-  | 15,5 | 13,5 | 1,5 | 15,5 | M08         | 25  |
| -          | F663      | -65 M10  | 65  | 28 | 23,5 | 22   | 16,5 | 11,5 | -/-  | 15,5 | 13,5 | 1,5 | 15,5 | M10         | 26  |
| -          | F663      | -65 M12  | 65  | 28 | 23,5 | 22   | 16,5 | 11,5 | -/-  | 15,5 | 13,5 | 1,5 | 15,5 | M12         | 28  |
| F763       | F663      | -85 M08  | 85  | 37 | 30,5 | 30   | 21   | 16   | 18/- | 21   | 13   | 2   | 13,5 | M08         | 50  |
| F763       | F663      | -85 M10  | 85  | 37 | 30,5 | 30   | 21   | 16   | 18/- | 21   | 13   | 2   | 13,5 | M10         | 52  |
| F763       | F663      | -85 M12  | 85  | 37 | 30,5 | 30   | 21   | 16   | 18/- | 21   | 13   | 2   | 13,5 | M12         | 52  |
| F763       | F663      | -105 M10 | 105 | 46 | 37,5 | 35   | 26   | 19   | 20/- | 25   | 23,5 | 2   | 23   | M10         | 88  |
| F763       | F663      | -105 M12 | 105 | 46 | 37,5 | 35   | 26   | 19   | 20/- | 25   | 23,5 | 2   | 23   | M12         | 88  |
| F763       | F663      | -105 M14 | 105 | 46 | 37,5 | 35   | 26   | 19   | 20/- | 25   | 23,5 | 2   | 21   | M14         | 91  |
| -          | F663      | -105 M16 | 105 | 46 | 37,5 | 35   | 26   | 19   | -/-  | 25   | 23,5 | 2   | 21   | (* ) M16    | 108 |
| F763       | F663      | -125 M12 | 125 | 54 | 44   | 42,5 | 31   | 23   | 26/- | 28,5 | 26   | 2   | 31   | M12         | 152 |
| F763       | F663      | -125 M14 | 125 | 54 | 44   | 42,5 | 31   | 23   | 26/- | 28,5 | 26   | 2   | 31   | M14         | 160 |
| -          | F663      | -125 M16 | 125 | 54 | 44   | 42,5 | 31   | 23   | -/-  | 28,5 | 26   | 2   | 31   | (* ) M16    | 180 |
| -          | F663      | -125 M18 | 125 | 54 | 44   | 42,5 | 31   | 23   | -/-  | 28,5 | 26   | 2   | 31   | (* ) M18    | 186 |



**BOTECA**

# ART. F764-F664

## 3-LOBE HANDWHEEL WITH THREADED STUD

**MATERIAL:**  
Reinforced polyamide.  
Oils and greases resistant.

**SURFACE:**  
Satin.

**COLOUR:**  
Black (RAL 9011).

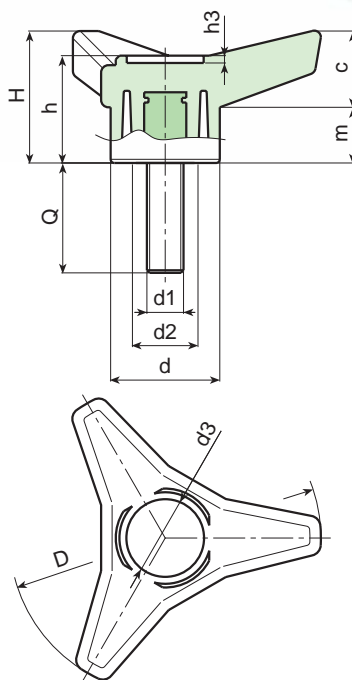
**MAIN INSERT:**  
Zinc plated steel threaded stud.

**HUB:**  
F661 Version - solid.  
F761 Version - hollow underneath.



### SPECIAL REQUESTS:

- It is possible to supply the inserts with different lengths, on request and for quantities.
- It is possible to supply the inserts in different materials, on request and for quantities.
- It is possible to supply colours as shown in the table at page 23, on request and for quantities.



| Art.       |               | D   | H  | h    | d    | c    | m    | d2   | d3   | h3  | d1  | Q        | LM  | Weight (gr) |
|------------|---------------|-----|----|------|------|------|------|------|------|-----|-----|----------|-----|-------------|
| hollow hub | solid hub     |     |    |      |      |      |      |      |      |     |     |          |     |             |
| -          | F664 -45 M06  | 45  | 21 | 18   | 16   | 11   | 10   | -/-  | 11   | 1   | M06 | 20-30    | 60  | 14-17       |
| -          | F664 -45 M08  | 45  | 21 | 18   | 16   | 11   | 10   | -/-  | 11   | 1   | M08 | 20-30    | 60  | 19-22       |
| -          | F664 -45 M10  | 45  | 21 | 18   | 16   | 11   | 10   | -/-  | 11   | 1   | M10 | 30       | 60  | 23          |
| -          | F664 -65 M08  | 65  | 28 | 23,5 | 22   | 16,5 | 11,5 | -/-  | 15,5 | 1,5 | M08 | 20-30    | 80  | 36-39       |
| -          | F664 -65 M10  | 65  | 28 | 23,5 | 22   | 16,5 | 11,5 | -/-  | 15,5 | 1,5 | M10 | 20-30    | 80  | 43-47       |
| -          | F664 -65 M12  | 65  | 28 | 23,5 | 22   | 16,5 | 11,5 | -/-  | 15,5 | 1,5 | M12 | 40       | 80  | 67          |
| F764       | F664 -85 M08  | 85  | 37 | 30,5 | 30   | 21   | 16   | 18/- | 21   | 2   | M08 | 20-30-40 | 60  | 61-65-69    |
| F764       | F664 -85 M10  | 85  | 37 | 30,5 | 30   | 21   | 16   | 18/- | 21   | 2   | M10 | 20-30-40 | 60  | 66-74-80    |
| F764       | F664 -85 M12  | 85  | 37 | 30,5 | 30   | 21   | 16   | 18/- | 21   | 2   | M12 | 20-40    | 60  | 83-94       |
| F764       | F664 -105 M10 | 105 | 46 | 37,5 | 35   | 26   | 19   | 20/- | 25   | 2   | M10 | 20-30-40 | 80  | 113-116-122 |
| F764       | F664 -105 M12 | 105 | 46 | 37,5 | 35   | 26   | 19   | 20/- | 25   | 2   | M12 | 30-50    | 80  | 121-136     |
| F764       | F664 -105 M14 | 105 | 46 | 37,5 | 35   | 26   | 19   | 20/- | 25   | 2   | M14 | 30       | 80  | 134         |
| F764       | F664 -125 M12 | 125 | 54 | 44   | 42,5 | 31   | 23   | 26/- | 28,5 | 2   | M12 | 30-50    | 100 | 200-214     |
| F764       | F664 -125 M14 | 125 | 54 | 44   | 42,5 | 31   | 23   | 26/- | 28,5 | 2   | M14 | 30       | 100 | 219         |
| -          | F664 -125 M16 | 125 | 54 | 44   | 42,5 | 31   | 23   | -/-  | 28,5 | 2   | M16 | 30       | 100 | 232         |
| -          | F664 -125 M18 | 125 | 54 | 44   | 42,5 | 31   | 23   | -/-  | 28,5 | 2   | M18 | 30       | 100 | 256         |

LM = Maximum mouldable length



**BOTECA**