

# ART. G210

## INDICATOR KNOB WITH PUSH FIT HALFMOON HOLE

**MATERIAL:**

Reinforced polypropylene.

**SURFACE:**

Glossy.

**COLOUR:**

Black (RAL 9011).

**POINTER COLOUR:**

White obtained by pad printing.

**HOLE:**

Halfmoon-shaped smooth female hole obtained by moulding.

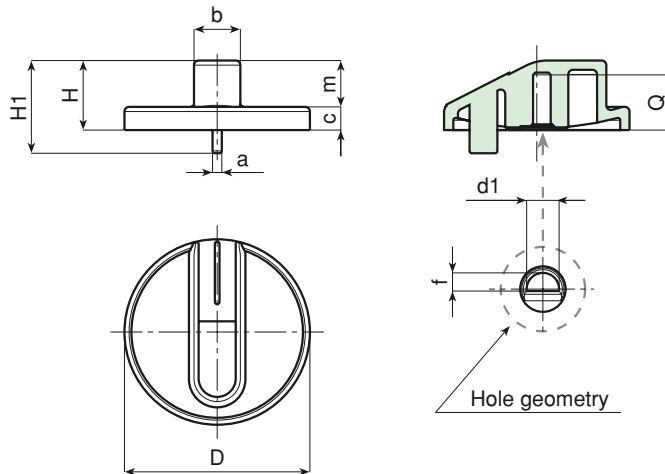
**FIXING:**

Push fit.



**SPECIAL REQUESTS:**

- It is possible to supply colours as shown in the table at page 19, on request and for quantities (Chapter G).



Art.	D	H	H1	a	b	c	m	f	d1	Q	Weight (gr)
G210-40 D06	39,5	15	20	2	9,5	5	10	3,8	D 06	12	5



**BOTECA**

# ART. G650

## 6-LOBE HANDWHEEL WITH PLUG AND THREADED INSERT

**MATERIAL:**

Reinforced polyamide.  
Oils and greases resistant.

**SURFACE:**

Satin.

**COLOUR:**

Black (RAL 9011).

**CENTRAL CAP:**

Grey polyamide (RAL 7035 code 13).

**ALTERNATIVE CAP COLOUR:**

Orange (RAL 2004 cod. 02).  
Blue (RAL 5015 cod. 07).  
Yellow (RAL 1021 cod.10).  
Red (RAL 3000 cod.16).  
Green (RAL 6024 cod.17).  
Black (RAL 9011 cod. 01).

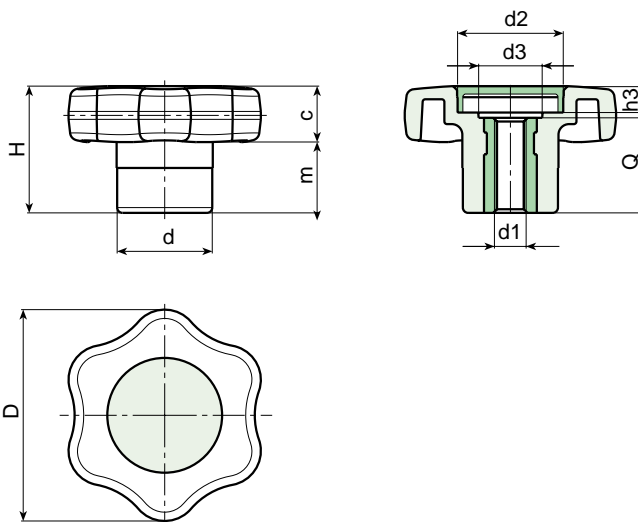
**MAIN INSERT:**

Brass right through threaded bush.



**SPECIAL REQUESTS:**

- It is possible to supply the inserts in different materials, on request and for quantities.
- It is possible to supply the handwheel with colours as shown in the table at page 19, on request and for quantities.



**PAD PRINTING SERVICE:**

- Upon request and for special quantities caps can be supplied with customized pad printing.



Art.	D	H	d	m	c	d2	d3	h3	d1	Q	Weight (gr)
G650-40 M06	40	24	18	10,5	13,5	20	13	6	M6	18	18
G650-40 M08	40	24	18	10,5	13,5	20	13	6	M8	18	19
G650-40 M10	40	24	18	10,5	13,5	20	13	6	M10	18	20

The extension of the range with the addition of diameters 50-60 is planned for the end of 2004.



**BOTECA**

# ART. G651

## 6-LOBE HANDWHEEL WITH PLUG AND THREADED STUD

**MATERIAL:**

Reinforced polyamide.  
Oils and greases resistant.

**SURFACE:**

Satin.

**COLOUR:**

Black (RAL 9011).

**CENTRAL CAP:**

Grey polyamide (RAL 7035 code 13).

**ALTERNATIVE CAP COLOUR:**

Orange (RAL 2004 cod. 02).  
Blue (RAL 5015 cod. 07).  
Yellow (RAL 1021 cod.10).  
Red (RAL 3000 cod.16).  
Green (RAL 6024 cod.17).  
Black (RAL 9011 cod. 01).

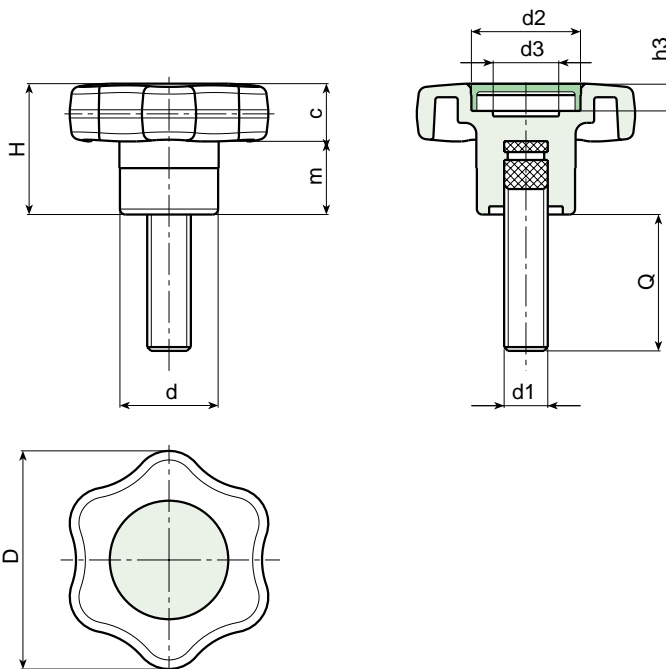
**MAIN INSERT:**

Zinc plated steel threaded stud.



**SPECIAL REQUESTS:**

- It is possible to supply the inserts with different lengths, on request and for quantities.
- It is possible to supply the inserts in different materials, on request and for quantities.
- It is possible to supply the handwheel with colours as shown in the table at page 19, on request and for quantities.



**PAD PRINTING SERVICE:**

- Upon request and for special quantities caps can be supplied with customized pad printing.



Art.	D	H	d	m	c	d2	d3	h3	d1	Q	Weight (gr)
G651-40 M06	40	24	18	10,5	13,5	20	13	6	M6	16-20-30-40	17-17,5-19-21
G651-40 M08	40	24	18	10,5	13,5	20	13	6	M8	20-30-40	20-23-27
G651-40 M10	40	24	18	10,5	13,5	20	13	6	M10	20-30-40-50	24-29-34-39

The extension of the range with the addition of diameters 50-60 is planned for the end of 2004.



**BOTECA**

# ART. G730

## 4-LOBE HANDWHEEL WITH THREADED INSERT

**MATERIAL:**

Reinforced polyamide.  
Oils and greases resistant.

**SURFACE:**

Satin.

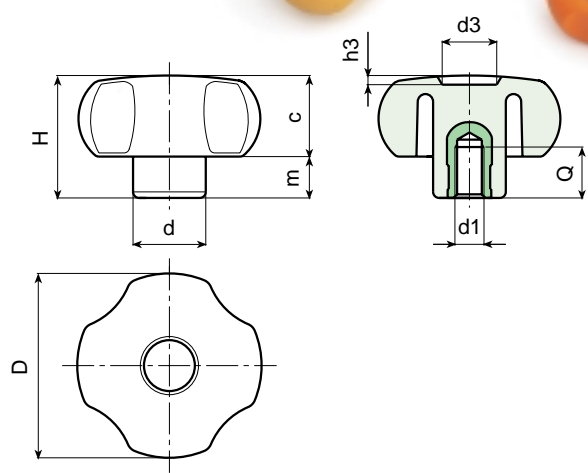
**COLOUR:**

Black (RAL 9011).

**MAIN INSERT:**

Brass blind threaded bush.

(\*) Zinc plated steel blind threaded bush.



**SPECIAL REQUESTS:**

- It is possible to supply the inserts in different materials, on request and for quantities.
- It is possible to supply colours as shown in the table at page 19, on request and for quantities.

Art.	D	H	d	c	m	d3	h3	d1	Q	Weight (gr)
G730-20 M04	21	14	11	8,5	5,5	8	1,5	M04	13	5
G730-20 M05	21	14	11	8,5	5,5	8	1,5	M05	13	5
G730-20 M06	21	14	11	8,5	5,5	8	1,5	M06	13	5
G730-25 M04	26	16	12	10	6	10	1,5	M04	7	6
G730-25 M05	26	16	12	10	6	10	1,5	M05	7	6
G730-25 M06	26	16	12	10	6	10	1,5	M06	7	7
G730-25 M08	26	16	12	10	6	10	1,5	M08	7	8
G730-30 M05	30	23	15	13,5	9,5	12	2	M05	13	12
G730-30 M06	30	23	15	13,5	9,5	12	2	M06	10	12
G730-30 M08	30	23	15	13,5	9,5	12	2	M08	16	14
G730-30 M10	30	23	15	13,5	9,5	12	2	M10	16	14
G730-40 M05	40,5	29,5	15,5	18,5	11	12	3	M05	13	21
G730-40 M06	40,5	29,5	15,5	18,5	11	12	3	M06	10	21
G730-40 M08	40,5	27,5	15	18,5	11	12	3	M08	14	22
G730-40 M10	40,5	29,5	17,5	18,5	11	12	3	M10	13	26
G730-40 M12	40,5	29,5	21	18,5	11	12	3	M12	11	30
G730-50 M06	52	32,5	20,5	21,5	11	14,5	2,5	M06	10	35
G730-50 M08	52	32,5	20,5	21,5	11	14,5	2,5	M08	14	42
G730-50 M10	52	32,5	20,5	21,5	11	14,5	2,5	M10	13	43
G730-50 M12	52	32,5	20,5	21,5	11	14,5	2,5	M12	17	48
G730-60 M08	59	40	23	25	15	24	4	M08	15	60
G730-60 M10	59	40	23	25	15	24	4	M10	14	62
G730-60 M12	59	40	23	25	15	24	4	M12	18	67
G730-60 M14	59	40	23	25	15	24	4	M14	19	70
G730-60 M16	59	40	23	25	15	24	4	(*) M16	17	82
G730-80 M10	79	41	30	24	17	21	3	M10	14	88
G730-80 M12	79	41	30	24	17	21	3	M12	16	88
G730-80 M14	79	41	30	24	17	21	3	M14	19	97
G730-80 M16	79	41	30	24	17	21	3	(*) M16	17	109
G730-80 M20	79	41	30	24	17	21	3	(*) M20	16	115



BOTECA

# ART. G731

## 4-LOBE HANDWHEEL WITH THREADED THROUGH INSERT

**MATERIAL:**

Reinforced polyamide.  
Oils and greases resistant.

**SURFACE:**

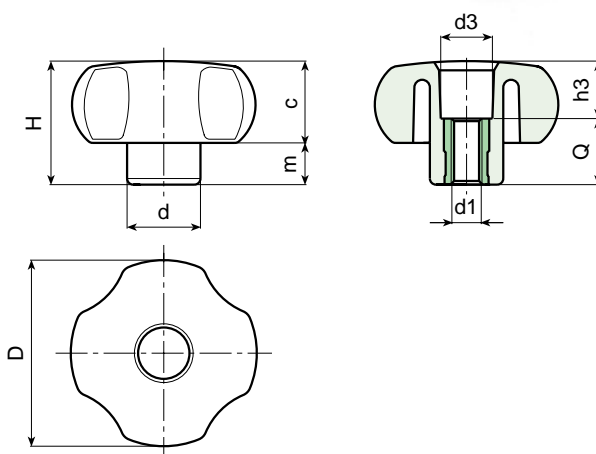
Satin.

**COLOUR:**

Black (RAL 9011).

**MAIN INSERT:**

Brass right through threaded bush.  
(\* ) Zinc plated steel right through threaded bush.



**SPECIAL REQUESTS:**

- It is possible to supply the inserts in different materials, on request and for quantities.
- It is possible to supply colours as shown in the table at page 19, on request and for quantities.

Art.	D	H	d	c	m	d3	h3	d1	Q	Weight (gr)
G731-20 M04	21	14	11	8,5	5,5	8	4,5	M04	9,5	4
G731-20 M05	21	14	11	8,5	5,5	8	7,5	M05	6,5	5
G731-20 M06	21	14	11	8,5	5,5	8	7,5	M06	6,5	5
G731-25 M04	26	16	12	10	6	9	7,5	M04	8,5	5
G731-25 M05	26	16	12	10	6	9	9,5	M05	6,5	6
G731-25 M06	26	16	12	10	6	9	9,5	M06	6,5	6
G731-25 M08	26	16	12	10	6	10,5	1,5	M08	14,5	10
G731-30 M05	30	23	15	13,5	9,5	12	8,5	M05	14,5	11
G731-30 M06	30	23	15	13,5	9,5	12	8,5	M06	14,5	11
G731-30 M08	30	23	15	13,5	9,5	12	8,5	M08	14,5	12
G731-30 M10	30	23	15	13,5	9,5	12	8,5	M10	14,5	13
G731-40 M06	41	29,5	16	18,5	11	13	11,5	M06	18	21
G731-40 M08	41	29,5	16	18,5	11	13	11,5	M08	18	21
G731-40 M10	41	29,5	16	18,5	11	13	11,5	M10	18	23
G731-40 M12	41	29,5	21	18,5	11	13	11,5	M12	18	26
G731-50 M06	52	32,5	20,5	21,5	11	13,5	14,5	M06	18	37
G731-50 M08	52	32,5	20,5	21,5	11	13,5	14,5	M08	18	38
G731-50 M10	52	32,5	20,5	21,5	11	13,5	14,5	M10	18	39
G731-50 M12	52	32,5	20,5	21,5	11	13,5	14,5	M12	18	40
G731-60 M08	59	40	23	25	15	20	22	M08	18	54
G731-60 M10	59	40	23	25	15	20	22	M10	18	55
G731-60 M12	59	40	23	25	15	20	22	M12	18	55
G731-60 M14	59	40	23	25	15	20	22	M14	18	56
G731-80 M08	79	41	30,5	24	17	20	23	M08	18	80
G731-80 M10	79	41	30,5	24	17	20	23	M10	18	82
G731-80 M12	79	41	30,5	24	17	20	23	M12	18	79
G731-80 M14	79	41	31	24	17	20	23	M14	18	80
G731-80 M16	79	41	30,5	24	17	21	15	(* ) M16	26	102



BOTECA

# ART. G733

## 4-LOBE HANDWHEEL WITH SMOOTH HOLE INSERT

**MATERIAL:**

Reinforced polyamide.  
Oils and greases resistant.

**SURFACE:**

Satin.

**COLOUR:**

Black (RAL 9011).

**MAIN INSERT:**

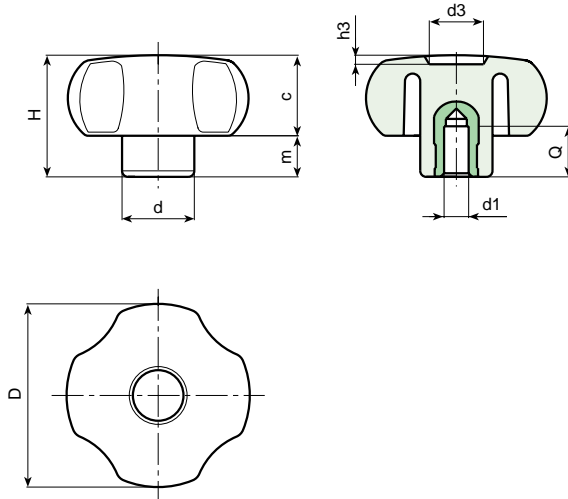
Zinc plated steel blind bored bush with H7 tolerance.  
(\* ) Brass blind bored bush with H7 tolerance.

**Bore not remachinable.**



**SPECIAL REQUESTS:**

- It is possible to supply the inserts with d1 diameter by customer design, on request and for quantities.
- It is possible to supply the inserts in different materials, on request and for quantities.
- It is possible to supply colours as shown in the table at page 19, on request and for quantities.



Art.	D	H	d	c	m	d3	h3	dm	d1 H7	Q	Weight (gr)
G733-30 D06	30	23	15	13,5	9,5	12,5	2	-	(*) 06	15	16
G733-30 D08	30	23	15	13,5	9,5	12,5	2	-	(*) 08	15	17
G733-40 D06	41	29,5	16	18,5	11	12	3	-	(*) 06	15	24
G733-40 D08	41	29,5	16	18,5	11	12	3	-	(*) 08	15	28
G733-40 D10	41	29,5	16	18,5	11	12	3	-	(*) 10	15	30
G733-50 D05	52	33	21	21,5	11,5	15	2,5	12	05 H9	18	60
G733-50 D10	52	33	21	21,5	11,5	15	2,5	12	10	18	60
G733-60 D05	59	40	23	24,5	15,5	24	4	12	05 H9	18	90
G733-60 D12	59	40	23	24,5	15,5	24	4	12	12	16	90
G733-80 D05	79	41	30,5	24	17	21	3	18	05 H9	24	165
G733-80 D12	79	41	30,5	24	17	21	3	18	12	24	140

It's possible to increase the hole, by boring, until **dm**.

# ART. G734

## 4-LOBE HANDWHEEL WITH ELONGATED HUB AND THREADED INSERT

**MATERIAL:**

Reinforced polyamide.  
Oils and greases resistant.

**SURFACE:**

Satin.

**COLOUR:**

Black (RAL 9011).

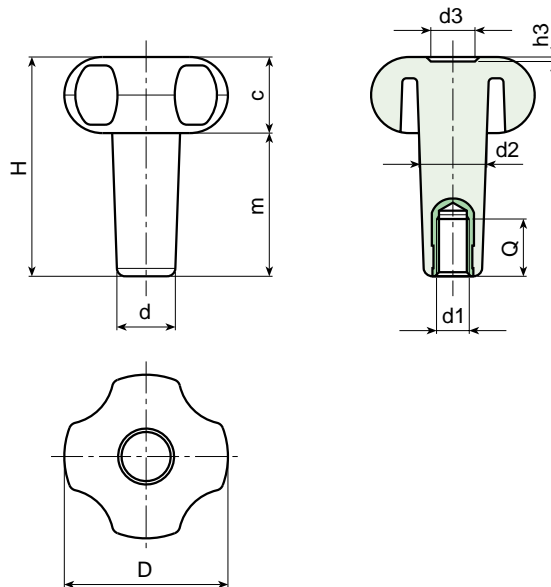
**MAIN INSERT:**

Brass blind threaded bush.



**SPECIAL REQUESTS:**

- It is possible to supply the inserts with different threads, on request and for quantities.
- It is possible to supply the inserts in different materials, on request and for quantities.
- It is possible to supply the handwheels with hubs to drawing, on request and for quantities.



Art.	D	H	T	d	c	d2	d3	h3	d1	Q	Weight (gr)
G734-30 T25 M06	30	37,5	23,5	13,5	14	14,5	12	2	M06	10	15
G734-30 T35 M06	30	47	33,5	13,5	14	15	12	2	M06	16	16
G734-30 T35 M08	30	47	33,5	13,5	14	15	12	2	M08	21	17
G734-40 T35 M10	41	54	35	16,5	19	17	12	3	M10	15	30
G734-40 T66 M06	41	85	66	16,5	19	18	12	3	M06	18	35
G734-50 T40 M08	52	61	39	17,5	22	19	14	2,5	M08	15	47
G734-50 T40 M10	52	61	39	17,5	22	19	14	2,5	M10	15	49
G734-50 T50 M08	52	71	49	18	22	20,5	14	2,5	M08	15	55
G734-50 T50 M10	52	71	49	18	22	20,5	14	2,5	M10	15	56
G734-50 T60 M10	52	80	58	18	22	21	14	2,5	M10	15	62
G734-60 T60 M08	59	83	58	23	25	24	24	4	M08	21	91
G734-60 T60 M10	59	83	58	23	25	24	24	4	M10	15	91
G734-60 T60 M12	59	83	58	23	25	24	24	4	M12	21	96
G734-60 T80 M08	59	103	78	23	25	24	24	4	M08	21	105
G734-60 T80 M10	59	103	78	23	25	24	24	4	M10	15	104
G734-60 T80 M12	59	103	78	23	25	24	24	4	M12	21	107



BOTECA

# ART. G735

## 4-LOBE HANDWHEEL WITH ELONGATED HUB AND THREADED STUD

**MATERIAL:**

Reinforced polyamide.  
Oils and greases resistant.

**SURFACE:**

Satin.

**COLOUR:**

Black (RAL 9011).

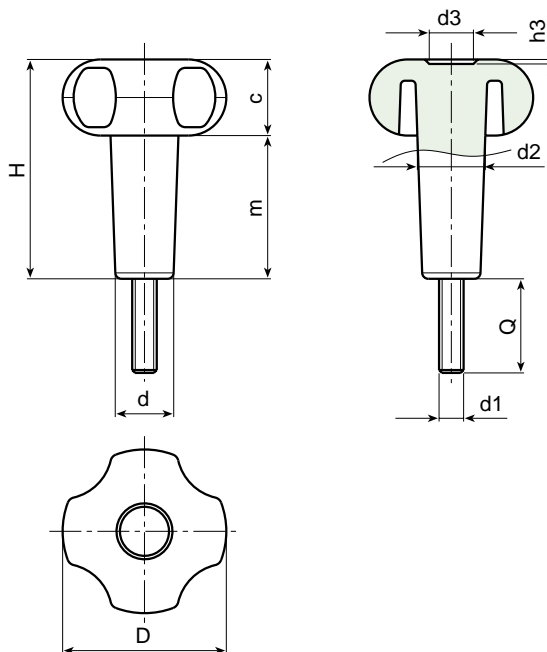
**MAIN INSERT:**

Zinc plated steel threaded stud.



**SPECIAL REQUESTS:**

- It is possible to supply the inserts with different lengths, on request and for quantities.
- It is possible to supply the inserts with different threads, on request and for quantities.
- It is possible to supply the inserts in different materials, on request and for quantities.
- It is possible to supply the handwheels with hubs to drawing, on request and for quantities.



Art.	D	H	T	d	c	d2	d3	h3	d1	Q	Weight (gr)
G735-30 T35 M06	30	47	33,5	13,5	14	15	12	2	M06	15	23
G735-30 T35 M08	30	47	33,5	13,5	14	15	12	2	M08	30	36
G735-40 T35 M08	41	54	35	16,5	19	17	12	3	M08	20-30-40	47-49-53
G735-40 T35 M10	41	54	35	16,5	19	17	12	3	M10	15	54
G735-50 T40 M08	52	61	39	17,5	22	19	14	2,5	M08	15-20-30	64-67-69
G735-50 T40 M10	52	61	39	17,5	22	19	14	2,5	M10	15-20-30-40	74-77-79-82
G735-50 T50 M08	52	71	49	18	22	20,5	14	2,5	M08	30	75
G735-50 T60 M08	52	80	58	18	22	21	14	2,5	M08	30	86
G735-60 T60 M08	59	83	58	23	25	24	24	4	M08	20	115
G735-60 T60 M10	59	83	58	23	25	24	24	4	M10	30-40	130-138
G735-60 T80 M10	59	103	78	23	25	24	24	4	M10	50	150



BOTECA



# ART. G745 - G746

## 4-LOBE HANDWHEEL WITH PLUG WITH THREADED BLIND OR THROUGH INSERT

**MATERIAL:**

Reinforced polyamide.  
Oils and greases resistant.

**SURFACE:**

Satin.

**COLOUR:**

Black (RAL 9011).

**CENTRAL CAP:**

Grey ABS (RAL 7035 code 13).

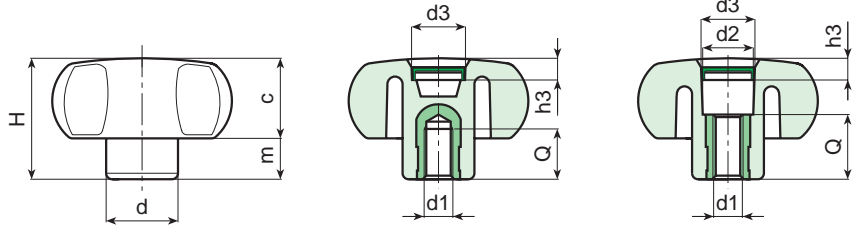
**ALTERNATIVE CAP COLOUR:**

Orange (RAL 2004 cod. 02).  
Blue (RAL 5015 cod. 07).  
Yellow (RAL 1021 cod. 10).  
Red (RAL 3000 cod. 16).  
Green (RAL 6024 cod. 17).  
Black (RAL 9011 cod. 01).

**INSERT:**

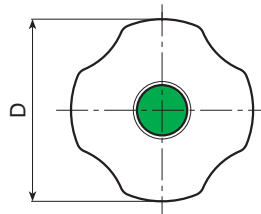
**G745:** Brass blind threaded bush.

**G746:** Brass right through threaded bush.



G745

G746



**SPECIAL REQUESTS:**

- It is possible to supply the inserts in different materials, on request and for quantities.
- It is possible to supply colours as shown in the table at page 19 (chapter G), on request and for quantities.

**G745 BLIND THREADED BUSH**

Art.	D	H	d	c	m	d3	h3	d1	Q	Weight (gr)
G745-50 M06	50	32,5	20,5	21,5	11	20	7,5	M06	10	30
G745-50 M08	50	32,5	20,5	21,5	11	20	7,5	M08	14	37
G745-50 M10	50	32,5	20,5	21,5	11	20	7,5	M10	13	38
G745-50 M12	50	32,5	20,5	21,5	11	20	7,5	M12	17	53
G745-60 M08	59	40	23	25	15	22	7,5	M08	15	59
G745-60 M10	59	40	23	25	15	22	7,5	M10	14	62
G745-60 M12	59	40	23	25	15	22	7,5	M12	18	65
G745-60 M14	59	40	23	25	15	22	7,5	M14	19	68

**G746 RIGHT THROUGH THREADED BUSH**

Art.	D	H	d	c	m	d2	d3	h3	d1	Q	Weight (gr)
G746-50 M06	50	32,5	20,5	21,5	11	13,5	20	7,5	M06	18	30
G746-50 M08	50	32,5	20,5	21,5	11	13,5	20	7,5	M08	18	31
G746-50 M10	50	32,5	20,5	21,5	11	13,5	20	7,5	M10	18	32
G746-50 M12	50	32,5	20,5	21,5	11	13,5	20	7,5	M12	18	33
G746-60 M08	59	40	23	25	15	20	22	7,5	M08	18	53
G746-60 M10	59	40	23	25	15	20	22	7,5	M10	18	53
G746-60 M12	59	40	23	25	15	20	22	7,5	M12	18	54
G746-60 M14	59	40	23	25	15	20	22	7,5	M14	18	55



**BOTECA**

# ART. G747

## 4-LOBE HANDWHEEL WITH PLUG AND THREADED STUD

**MATERIAL:**

Reinforced polyamide.  
Oils and greases resistant.

**SURFACE:**

Satin.

**COLOUR:**

Black (RAL 9011).

**CENTRAL CAP:**

Grey ABS (RAL 7035 code 13).

**ALTERNATIVE CAP COLOUR:**

Orange (RAL 2004 cod. 02).  
Blue (RAL 5015 cod. 07).  
Yellow (RAL 1021 cod. 10).  
Red (RAL 3000 cod. 16).  
Green (RAL 6024 cod. 17).  
Black (RAL 9011 cod. 01).

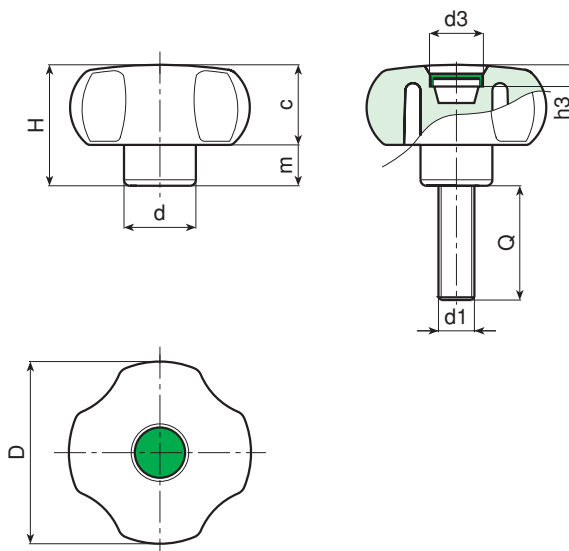
**MAIN INSERT:**

Zinc plated steel threaded stud.



**SPECIAL REQUESTS:**

- It is possible to supply the inserts with different lengths, on request and for quantities.
- It is possible to supply the inserts in different materials, on request and for quantities.
- It is possible to supply colours as shown in the table at page 19 (chapter G), on request and for quantities.



Art.	D	H	d	c	m	d3	h3	d1	Q	Weight (gr)
G747-50 M06	50	32,5	20,5	21,5	11	20	7,5	M06	16-20-30-40-50	37-38-40-42-47
G747-50 M08	50	32,5	20,5	21,5	11	20	7,5	M08	16-20-30-40-50-60	44-46-49-52-55-59
G747-50 M10	50	32,5	20,5	21,5	11	20	7,5	M10	16-20-30-40-50-60	50-53-58-63-67-72
G747-50 M12	50	32,5	20,5	21,5	11	20	7,5	M12	20-30-40-50-60	65-62-68-85-92
G747-60 M08	59	40	23	25	15	22	7,5	M08	16-20-30-40-50-60	72-75-78-80-84
G747-60 M10	59	40	23	25	15	22	7,5	M10	16-20-30-40-50-60	76-78-83-88-93-99
G747-60 M12	59	40	23	25	15	22	7,5	M12	20-30-40-50-60	90-96-103-110-118
G747-60 M14	59	40	23	25	15	22	7,5	M14	30-40-50	110-120-130



**BOTECA**

# ART. G791

## CYLINDRICAL HANDWHEEL WITH THREADED INSERT

**MATERIAL:**

Reinforced polyamide.  
Oils and greases resistant.

**SURFACE:**

Satin.

**COLOUR:**

Black (RAL 9011).

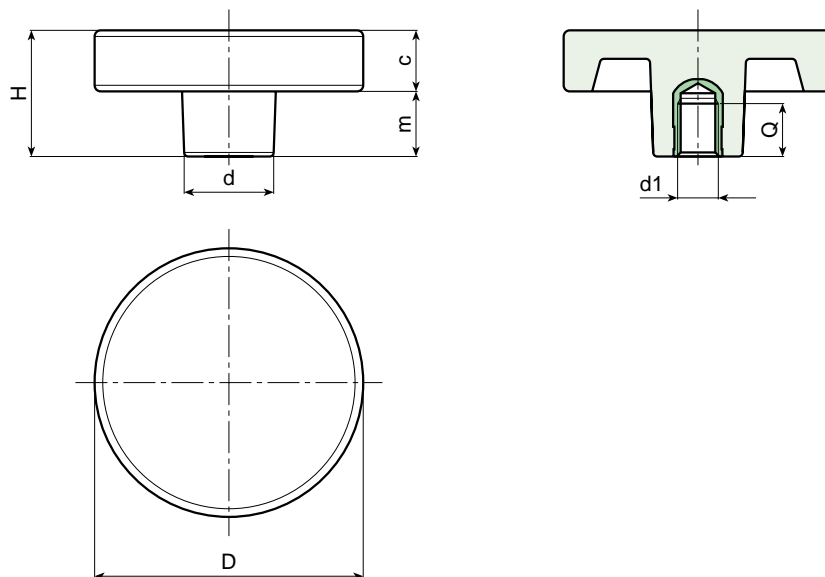
**MAIN INSERT:**

Brass blind threaded bush.



**SPECIAL REQUESTS:**

- It is possible to supply the inserts in different materials, on request and for quantities.
- It is possible to supply colours as shown in the table at page 19, on request and for quantities.



Art.	D	H	d	c	m	d1	Q	Weight (gr)
G791-36 M06	36	17	18	16	1	M06	10	18
G791-36 M08	36	17	18	16	1	M08	15	18
G791-36 M10	36	18	18	16	2	M10	14	19
G791-50 M08	50	30,5	22	15	15,5	M08	15	35
G791-50 M10	50	30,5	22	15	15,5	M10	14	36
G791-50 M12	50	30,5	22	15	15,5	M12	18	40
G791-66 M08	65	30	22	15	15	M08	15	52
G791-66 M10	65	30	22	15	15	M10	14	55
G791-66 M12	65	30	22	15	15	M12	18	58
G791-66 M14	65	30	22	15	15	M14	19	60

# ART. G792

## CYLINDRICAL HANDWHEEL WITH SMOOTH HOLE INSERT

**MATERIAL:**

Reinforced polyamide.  
Oils and greases resistant.

**SURFACE:**

Satin.

**COLOUR:**

Black (RAL 9011).

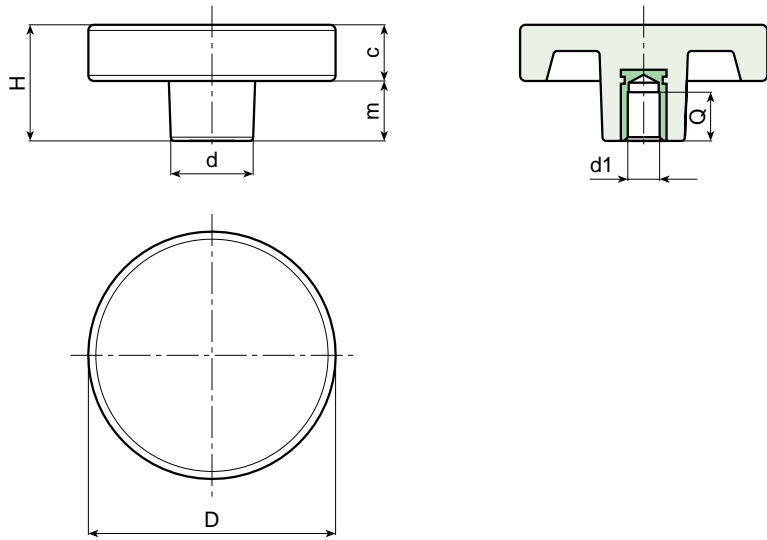
**MAIN INSERT:**

Zinc plated steel blind bored bush with H7 tolerance.



**SPECIAL REQUESTS:**

- It is possible to supply the inserts with d1 diameter by customer design, on request and for quantities.
- It is possible to supply the inserts in different materials, on request and for quantities.
- It is possible to supply colours as shown in the table at page 19, on request and for quantities.



Art.	D	H	d	c	m	dm	d1 (H7)	Q	Weight (gr)
G792-50 D08	50	30,5	22	15	15	12	8	20	62
G792-66 D05	65	30	22	15	15	12	05 H9	20	80
G792-66 D12	65	30	22	15	15	12	12	20	75

It's possible to increase the hole, by boring, until **dm**.

LOCKING HANDWHEELS



BOTECA

# ART. G793

## CYLINDRICAL HANDWHEEL WITH THREADED STUD

**MATERIAL:**

Reinforced polyamide.  
Oils and greases resistant.

**SURFACE:**

Satin.

**COLOUR:**

Black (RAL 9011).

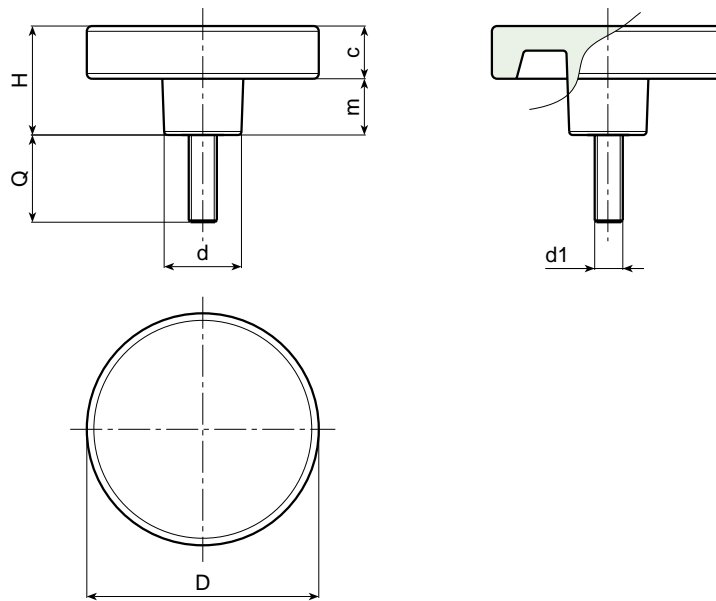
**MAIN INSERT:**

Zinc plated steel threaded stud.



**SPECIAL REQUESTS:**

- It is possible to supply the inserts with different lengths, on request and for quantities.
- It is possible to supply the inserts in different materials, on request and for quantities.
- It is possible to supply colours as shown in the table at page 19, on request and for quantities.



Art.	D	H	d	c	m	d1	Q	Weight (gr)
G793-36 M06	36	17	18	16	1	M06	16-20-30	16-17-20
G793-36 M08	36	17	18	16	1	M08	16-20-30-40	18-21-25-30
G793-36 M10	36	18	18	16	2	M10	20-30-40	27-34-42
G793-50 M08	50	30,5	22	15	15,5	M08	20-30	40-44
G793-50 M10	50	30,5	22	15	15,5	M10	20-30-40	46-53-61
G793-50 M12	50	30,5	22	15	15,5	M12	30-40	68-80
G793-66 M08	65	30	22	15	15	M08	20-30	59-63
G793-66 M10	65	30	22	15	15	M10	25-50	68-80
G793-66 M12	65	30	22	15	15	M12	25-50	80-97



**BOTECA**

# ART. G794

## KNOB WITH THREADED INSERT

**MATERIAL:**

Reinforced polyamide.  
Oils and greases resistant.

**SURFACE:**

Satin.

**COLOUR:**

Black (RAL 9011).

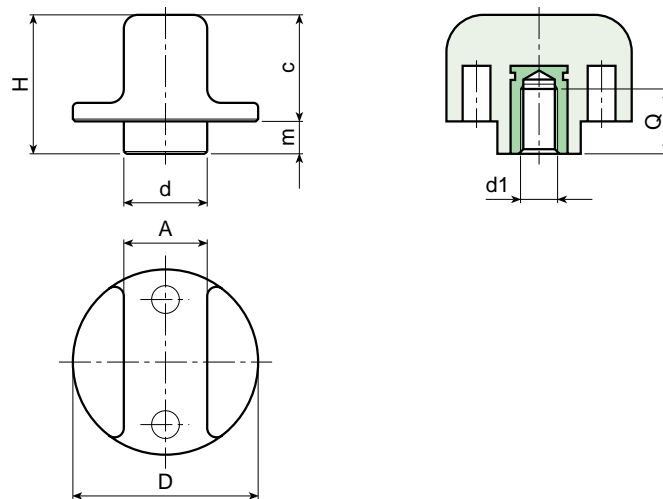
**MAIN INSERT:**

Brass blind threaded bush.



**SPECIAL REQUESTS:**

- It is possible to supply the inserts in different materials, on request and for quantities.
- It is possible to supply colours as shown in the table at page 19, on request and for quantities.



Art.	D	H	d	A	c	m	d1	Q	Weight (gr)
G794-25 M05	25	20	12	10	17	5	M05	11	8
G794-25 M06	25	20	12	10	17	5	M06	9	9
G794-25 M08	25	20	12	10	17	5	M08	8	10
G794-40 M08	40	30	18	18	22,5	7,5	M08	15	25
G794-40 M10	40	30	18	18	22,5	7,5	M10	14	26
G794-40 M12	40	30	18	18	22,5	7,5	M12	14	28



**BOTECO**

# ART. G795

## KNOB WITH THREADED STUD

**MATERIAL:**

Reinforced polyamide.  
Oils and greases resistant.

**SURFACE:**

Satin.

**COLOUR:**

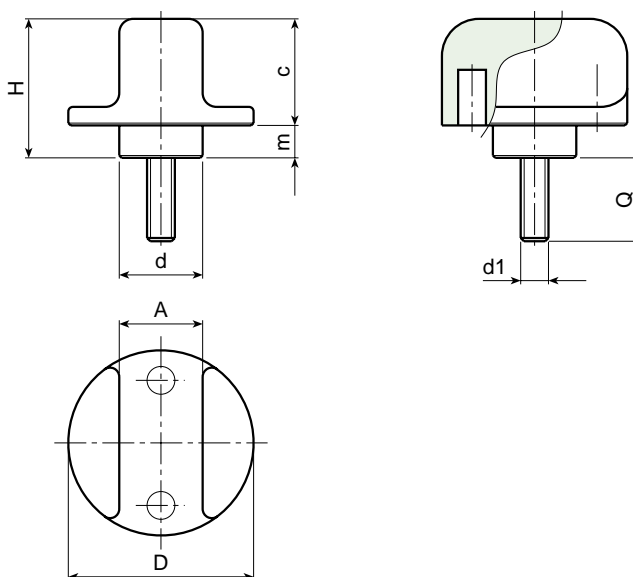
Black (RAL 9011).

**MAIN INSERT:**

Zinc plated steel threaded stud.

**SPECIAL REQUESTS:**

- It is possible to supply the inserts with different lengths, on request and for quantities.
- It is possible to supply the inserts in different materials, on request and for quantities.
- It is possible to supply colours as shown in the table at page 19, on request and for quantities.



Art.	D	H	d	A	c	m	d1	Q	Weight (gr)
G795-25 M05	25	20	12	10	17	5	M05	16-20-25	9-10-12
G795-25 M06	25	20	12	10	17	5	M06	16-20-30-40	10,5-11-13-14,5
G795-25 M08	25	20	12	10	17	5	M08	16-20-30-40	18-19-22-25
G795-40 M08	40	30	18	18	22,5	7,5	M08	16-20-30-40	33-34-37-40
G795-40 M10	40	30	18	18	22,5	7,5	M10	20-30-40	41-46-51
G795-40 M12	40	30	18	18	22,5	7,5	M12	20-40	53-67



**BOTECA**

# ART. G796

## KNOB WITH THREADED INSERT

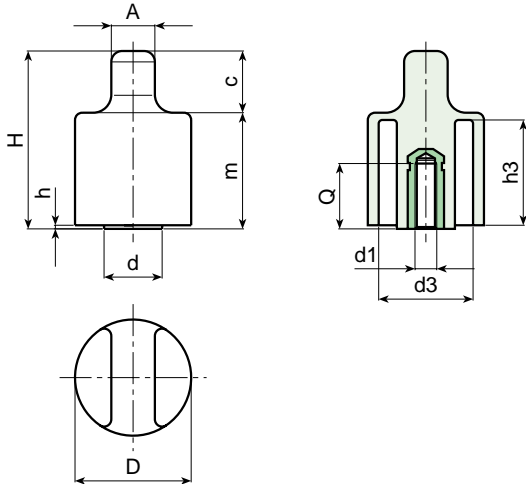
**MATERIAL:**  
Reinforced polyamide.  
Oils and greases resistant.

**SURFACE:**  
Satin.

**COLOUR:**  
Black (RAL 9011).

**MAIN INSERT:**  
Brass blind threaded bush.

- SPECIAL REQUESTS:**
- It is possible to supply the inserts in different materials, on request and for quantities.
  - It is possible to supply colours as shown in the table at page 19, on request and for quantities.



Art.	D	H	d	A	c	m	h	h3	d3	d1	Q	Weight (gr)
G796-32 M06	32	49	16	12	15	34	1	29	25,5	M06	16	33
G796-32 M08	32	49	16	12	15	34	1	29	25,5	M08	14	35
G796-32 M10	32	49	16	12	15	34	1	29	25,5	M10	13	36

LOCKING HANDWHEELS



# ART. G797

## KNOB WITH THREADED INSERT

**MATERIAL:**

Reinforced polyamide.  
Oils and greases resistant.

**SURFACE:**

Satin.

**COLOUR:**

Black (RAL 9011).

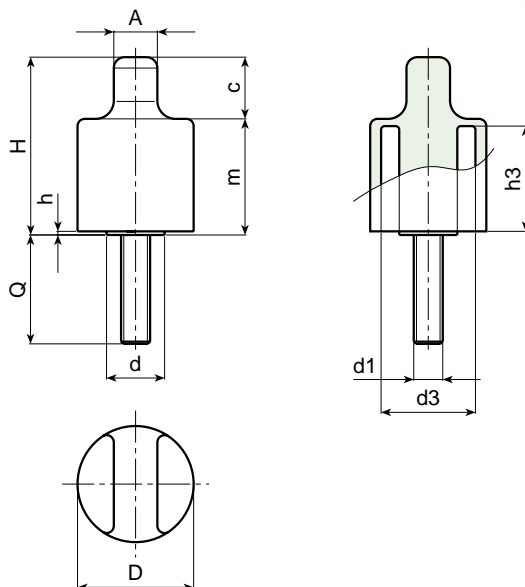
**MAIN INSERT:**

Zinc plated steel threaded stud.



**SPECIAL REQUESTS:**

- It is possible to supply the inserts in different materials, on request and for quantities.
- It is possible to supply colours as shown in the table at page 19, on request and for quantities.



Art.	D	H	d	A	c	m	h	h3	d3	d1	Q	Weight (gr)
G797-32 M06	32	49	16	12	15	34	1	29	25,5	M06	16-20	33-37
G797-32 M08	32	49	16	12	15	34	1	29	25,5	M08	16-32	42-45
G797-32 M10	32	49	16	12	15	34	1	29	25,5	M10	20-40	51-57
G797-32 M12	32	49	16	12	15	34	1	29	25,5	M12	20	59



**BOTECA**

# ART. G798

## ELONGATED KNOB WITH THREADED INSERT

**MATERIAL:**  
Reinforced polyamide.  
Oils and greases resistant.

**SURFACE:**  
Satin.

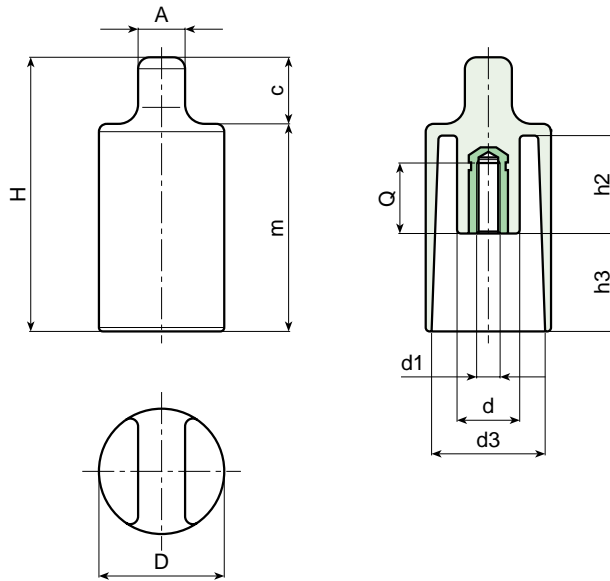
**COLOUR:**  
Black (RAL 9011).

**MAIN INSERT:**  
Brass blind threaded bush.



**SPECIAL REQUESTS:**

- It is possible to supply the inserts in different materials, on request and for quantities.
- It is possible to supply colours as shown in the table at page 19, on request and for quantities.



Art.	D	H	d	A	c	m	h2	h3	d3	d1	Q	Weight (gr)
G798-32 M06	32	69	12	12	15	54	25	26	28	M06	22	32
G798-32 M08	32	69	12	12	15	54	25	26	28	M08	20	35

LOCKING HANDWHEELS

# ART. G799

## ELONGATED KNOB WITH THREADED STUD

**MATERIAL:**

Reinforced polyamide.  
Oils and greases resistant.

**SURFACE:**

Satin.

**COLOUR:**

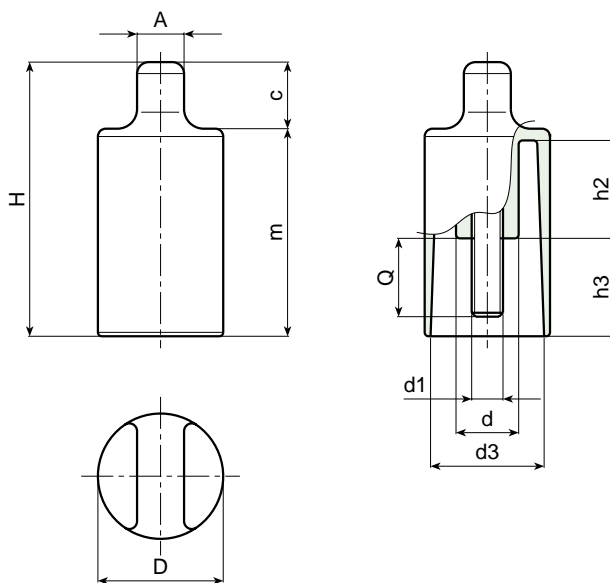
Black (RAL 9011).

**MAIN INSERT:**

Zinc plated steel threaded stud.

**SPECIAL REQUESTS:**

- It is possible to supply the inserts in different materials, on request and for quantities.
- It is possible to supply colours as shown in the table at page 19, on request and for quantities.



Art.	D	H	d	A	c	m	h2	h3	d3	d1	Q	Weight (gr)
G799-32 M06	32	69	12	12	15	54	25	26	29	M06	16	40
G799-32 M08	32	69	12	12	15	54	25	26	29	M08	10-16	42-48