

ART. M128

GEAR STICK HANDLE

MATERIAL:
Reinforced polyamide.
Oils and greases resistant.

SURFACE:
Satin.

COLOUR:
Black (RAL 9011).

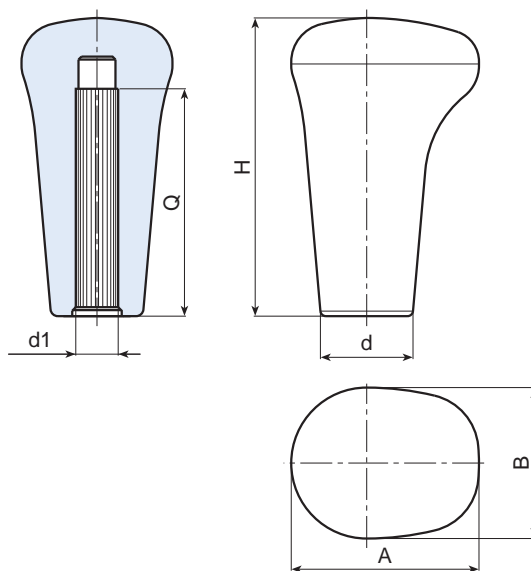
HOLE:
Female smooth blind hole obtained by moulding the plastic.

FIXING:
Push fit.



SPECIAL REQUESTS:

- It is possible to supply the handle with d1 diameter by customer design, on request and for quantities.
- It is possible to supply colours as shown in the table at page 29, on request and for quantities.



Art.	H	A	B	d	d1	Q	Weight (gr)
M12880.TG1201	80	50	40	26	12	75	80
M12880.TG1401	80	50	40	26	14	75	74
M12880.TG1601	80	50	40	26	16	75	68

ART. M129

REVOLVING HANDLE WITH HEXAGON SOCKET HEAD STUD

MATERIAL:
Reinforced polyamide.
Oils and greases resistant.

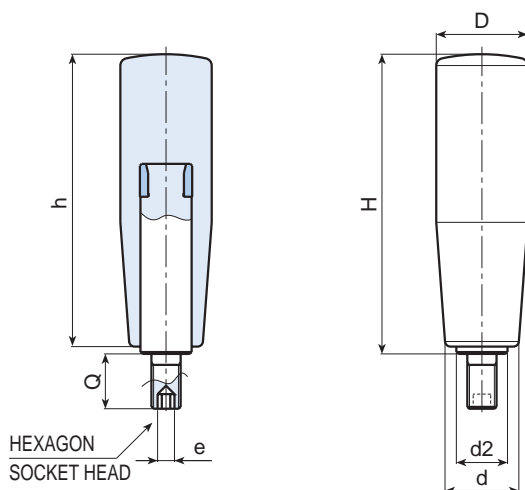
SURFACE:
Satin.

COLOUR:
Black (RAL 9011).

REVOLVING INSERT:
Zinc plated steel threaded stud with hexagon socket head.

SPECIAL REQUESTS:

- It is possible to supply the inserts with different treatment-finishes, on request and for quantities.
- It is possible to supply colours as shown in the table at page 29, on request and for quantities.



Art.	H	D	h	d	d1	d2	e	Q	Weight (gr)
M12950.TM06X1201	52	20	51	16	M6	11	3	12	42
M12960.TM06X1201	62	23	60	18	M6	11	3	12	54
M12960.TM08X1501	62	23	60	18	M8	11	4	15	60
M12970.TM08X1501	72	25	70	19	M8	14	4	15	92
M12970.TM10X1501	72	25	70	19	M10	14	5	15	94
M12980.TM08X1501	81	25	79	20	M8	14	4	15	98
M12980.TM10X1501	81	25	79	20	M10	14	5	15	104
M12980.TM12X1501	82	26	81	20	M12	14	5	15	104
M12990.TM10X1501	93	27	90	22,5	M10	14	5	15	118
M12990.TM12X1501	93	27	90	22,5	M12	14	5	15	120



BOTECA

ART. M129 CIN

REVOLVING HANDLE WITH STAINLESS STEEL HEXAGON SOCKET HEAD STUD

INOX

MATERIAL:
Reinforced polyamide.
Oils and greases resistant.

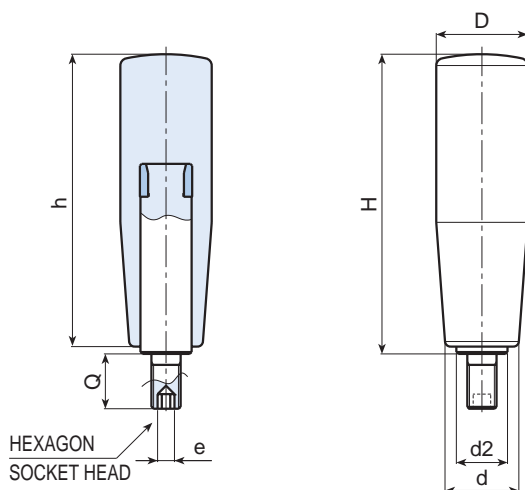
SURFACE:
Satin.

COLOUR:
Black (RAL 9011).

REVOLVING INSERT:
Threaded stud stainless steel (AISI 303) with
hexagon socket head and brass ring.

SPECIAL REQUESTS:

- It is possible to supply colours as shown in the table at page 29, on request and for quantities.



Art.	H	D	h	d	d1	d2	e	Q	Weight (gr)
M12950.TM06X1201CIN	52	20	51	16	M06	11	3	12	42
M12960.TM06X1201CIN	62	23	60	18	M06	11	3	12	54
M12960.TM08X1501CIN	62	23	60	18	M08	11	4	15	60
M12970.TM08X1501CIN	72	25	70	19	M08	14	4	15	92
M12970.TM10X1501CIN	72	25	70	19	M10	14	5	15	94
M12980.TM08X1501CIN	81	25	79	20	M08	14	4	15	98
M12980.TM10X1501CIN	81	25	79	20	M10	14	5	15	104
M12980.TM12X1501CIN	82	26	81	20	M12	14	5	15	104
M12990.TM10X1501CIN	93	27	90	22,5	M10	14	5	15	118
M12990.TM12X1501CIN	93	27	90	22,5	M12	14	5	15	120



BOTECA

ART. M135

ROUNDED HANDLE WITH SELF-FIX HOLE

MATERIAL:
Reinforced polyamide.
Oils and greases resistant.

SURFACE:
Satin.

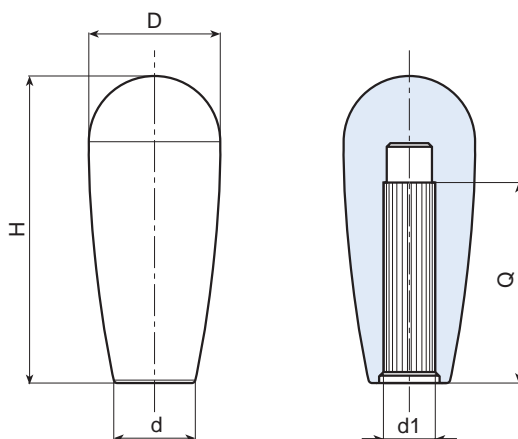
COLOUR:
Black (RAL 9011).

HOLE:
Female smooth blind hole obtained by moulding the plastic.

FIXING:
Push fit.

SPECIAL REQUESTS:

- It is possible to supply the handle with a threaded blind hole, on request and for quantities.
- It is possible to supply the handle with d1 diameter by customer design, on request and for quantities.
- It is possible to supply colours as shown in the table at page 29, on request and for quantities.



Art.	H	D	d	d1	Q	Weight (gr)
M13583.TG1001	84	35	22	10	58	64
M13583.TG1201	84	35	22	12	62	62
M13583.TG1401	84	35	22	14	60	59



BOTECA

ART. M136

REVOLVING AND FOLDING HANDLE

MATERIAL:
Reinforced polyamide.
Oils and greases resistant.

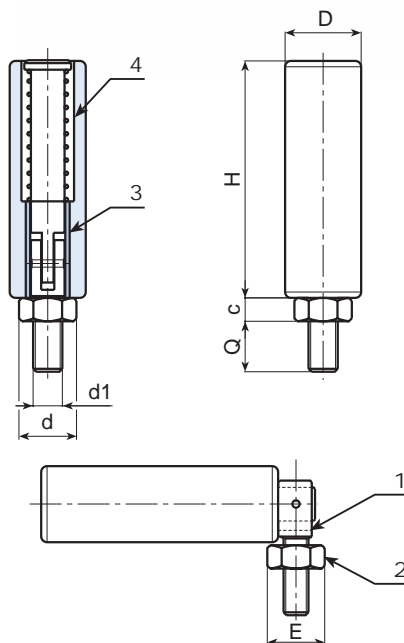
SURFACE:
Satin.

COLOUR:
Black (RAL 9011).

INSERTS:
(1) Black oxide-treated steel revolving and folding stud with head for fitting screwdriver.
(2) Threaded black oxide-treated steel nut DIN 934.
(3) Zinc plated steel spring.
(4) Zinc plated steel insert with smooth hole.

SPECIAL REQUESTS:

- It is possible to supply the inserts with different treatment-finishes, on request and for quantities.
- It is possible to supply colours as shown in the table at page 29, on request and for quantities.



Art.	H	D	d	E	d1	c	Q	Weight (gr)	F1 (N)
M13650.TM06X1201	49	20	15	10 (11)	M6	5	9	39	270
M13670.TM08X1501	69	25	19	13 (15)	M8	6	10	71	840
M13682.TM10X1701	81	26	-	17 (19)	M10	8	17	152	1700
M13690.TM10X1701	89	26	-	17 (19)	M10	8	17	160	2700



BOTECA

ART. M137

HANDLE WITH LEVER ARM

MATERIAL:
Reinforced polyamide.
Oils and greases resistant.

SURFACE:
Satin.

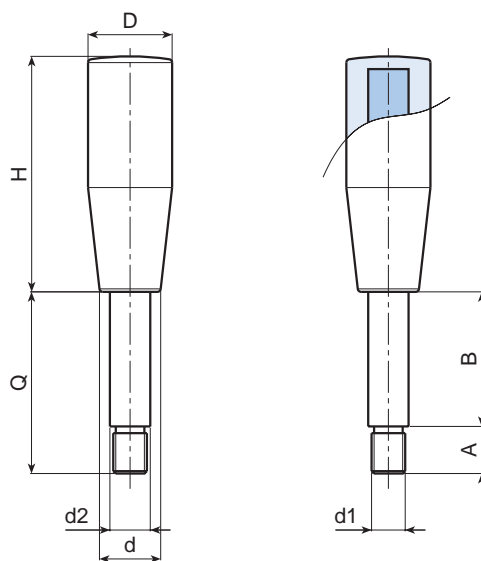
COLOUR:
Black (RAL 9011).

LEVER ARM:
Partially threaded zinc plated steel stud.

FIXING:
Push fit (cannot be dismantled).

SPECIAL REQUESTS:

- It is possible to supply the inserts with custom size , on request and for quantities.
- It is possible to supply the inserts with different treatment-finishes, on request and for quantities.
- It is possible to supply colours as shown in the table at page 29, on request and for quantities.



Art.	H	D	d	A	B	d2	d1	Q	Weight (gr)
M13750.TI10X4001	50	20	15	10	30	10	M8	40	40
M13750.TI10X5501	50	20	15	10	45	10	M8	55	46
M13750.TI10X8001	50	20	15	10	70	10	M8	80	61
M13760.TI12X5501	60	23	17	15	40	12	M10	55	68
M13760.TI12X6501	60	23	17	15	50	12	M10	65	77
M13760.TI12X9501	60	23	17	15	80	12	M10	95	104
M13770.TI12X6501	70	25	19	15	50	12	M12	65	106
M13770.TI12X10501	70	25	19	15	90	12	M12	105	154
M13780.TI14X6501	80	25	20	15	50	14	M12	65	112
M13780.TI14X10501	80	25	20	15	90	14	M12	105	164
M13790.TI16X6701	91	27	22,5	17	50	16	M14	67	115
M13790.TI16X9701	91	27	22,5	17	80	16	M14	97	193
M13790.TI16X11701	91	27	22,5	17	100	16	M14	117	224



BOTECA

ART. M138

HANDLE WITH THREADED HOLE

MATERIAL:
Reinforced polyamide.
Oils and greases resistant.

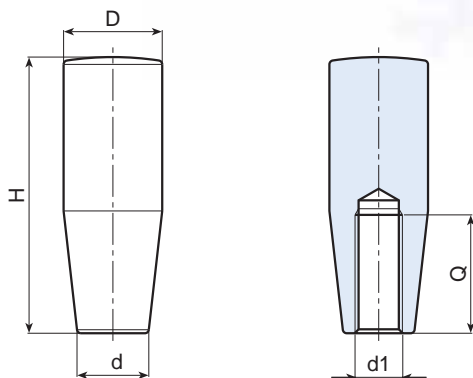
SURFACE:
Satin.

COLOUR:
Black (RAL 9011).

HOLE:
Female threaded blind hole obtained by moulding the plastic.

SPECIAL REQUESTS:

- It is possible to supply colours as shown in the table at page 29, on request and for quantities.



Art.	H	D	d	d1	Q	Weight (gr)
M138027.TM0401	27	14	10	M4	20	6
M138027.TM0501	27	14	10	M5	20	5
M138027.TM0601	27	14	10	M6	20	5
M138040.TM0501	40	18	16	M5	20	10
M138040.TM0601	40	18	16	M6	27	10
M138040.TM0801	40	18	16	M8	27	10
M138050.TM0601	50	20	15	M6	24	16
M138050.TM0801	50	20	15	M8	23	14
M138050.TM1001	50	20	15	M10	25	14
M138060.TM0801	60	23	18	M8	30	24
M138060.TM1001	60	23	18	M10	30	24
M138060.TM1201	60	23	18	M12	29	22
M138070.TM0801	69	25	19	M8	30	34
M138070.TM1001	69	25	19	M10	30	32
M138070.TM1201	69	25	19	M12	31	28
M138080.TM0801	80	26	20	M8	31	40
M138080.TM1001	80	26	20	M10	31	38
M138080.TM1201	80	26	20	M12	37	36
M138080.TM1401	80	26	20	M14	40	34
M138090.TM0801	91	27	22	M8	30	58
M138090.TM1001	91	27	22	M10	31	54
M138090.TM1201	91	27	22	M12	37	50
M138090.TM1401	91	27	22	M14	40	46
M1380110.TM1001	109	32	27	M10	31	105
M1380110.TM1201	109	32	27	M12	50	104
M1380110.TM1401	109	32	27	M14	50	100



BOTECA

ART. M139

HANDLE WITH SMOOTH HOLE

MATERIAL:
Reinforced polyamide.
Oils and greases resistant.

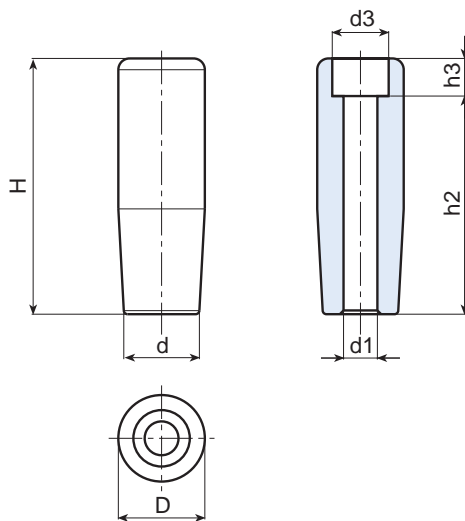
SURFACE:
Satin.

COLOUR:
Black (RAL 9011).

HOLE:
Smooth right through hole obtained by moulding the plastic.

SPECIAL REQUESTS:

- It is possible to supply colours as shown in the table at page 29, on request and for quantities.



Art.	H	D	d	h2	h3	d1	d3	Weight (gr)
M13950.TG06,501	49	20	15	42,5	6,5	6,5	11	13
M13950.TG08,501	49	20	15	42,5	6,5	8,5	11	10
M13960.TG06,501	59	21	19	51	8	6,5	12	23
M13960.TG08,501	59	21	19	49	10	8,5	14	20
M13970.TG08,501	68	23	20	57,5	10,5	8,5	14	28
M13970.TG10,501	68	23	20	56	12	10,5	17	25
M13980.TG10,501	79	25,5	22	67	12	10,5	17	38
M13990.TG08,501	88	27,5	22,5	76	12,5	8,5	19	46
M13990.TG12,501	88	27,5	22,5	76	12,5	12,5	19	42



BOTECA

ART. M140

HANDLE WITH THREADED STUD

MATERIAL:
Reinforced polyamide.
Oils and greases resistant.

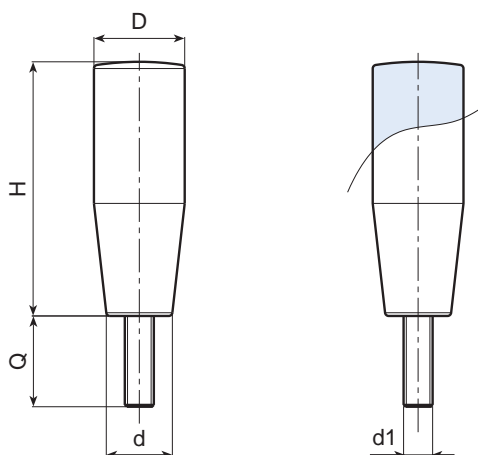
SURFACE:
Satin.

COLOUR:
Black (RAL 9011).

MAIN INSERT:
Zinc plated steel threaded stud.

SPECIAL REQUESTS:

- It is possible to supply the inserts with different lengths, on request and for quantities.
- It is possible to supply the inserts in different materials, on request and for quantities.
- It is possible to supply colours as shown in the table at page 29, on request and for quantities.



Art.	H	D	d	d1	Q	Weight (gr)
M14027.TM04X2001	27	14	10	M4	20	10
M14027.TM05X2001	27	14	10	M5	20	15
M14027.TM06X2001	27	14	10	M6	20	20
M14040.TM05X2001	40	18	15,5	M5	20	20
M14040.TM06X..01	40	18	15	M6	10-20-25	18-20-21
M14050.TM06X..01	50	20	15	M6	10-20-30	24-27-30
M14050.TM08X..01	50	20	15	M8	10-15-20	34-32-30
M14060.TM06X..01	60	23	17,5	M6	10-20-30	38-40-42
M14060.TM08X..01	60	23	17,5	M8	10-20-30	34-42-50
M14060.TM10X1501	60	23	17,5	M10	15	40
M14070.TM08X..01	70	25	18	M8	10-20-30	51-54-57
M14080.TM06X1001	81	26	20	M6	10	68
M14080.TM08X..01	81	26	20	M8	10-20-30	74-77-80
M14080.TM10X..01	81	26	20	M10	10-20-30	84-86-88
M14090.TM08X..01	90	27	22	M8	10-20-30	74-77-80
M14090.TM10X..01	90	27	22	M10	10-20-30	95-100-105
M14090.TM12X..01	90	27	22	M12	20-30-40	104-112-119
M140110.TM12X..01	111	32	27	M12	20-40	162-175
M140110.TM14X..01	111	32	27	M14	20-40	170-190



BOTECA

ART. M141

CYLINDRICAL HANDLE WITH SMOOTH HOLE

MATERIAL:
Reinforced polyamide.
Oils and greases resistant.

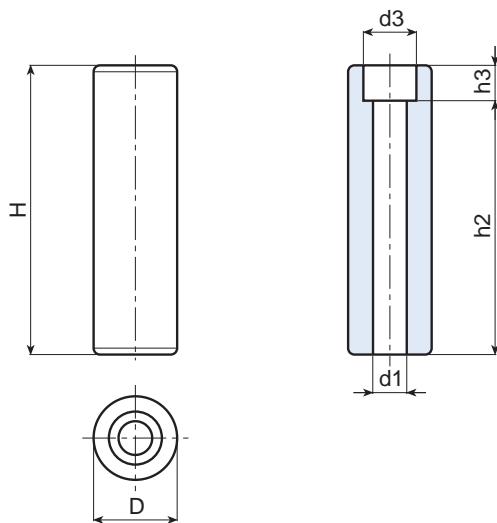
SURFACE:
Satin.

COLOUR:
Black (RAL 9011).

HOLE:
Smooth right through hole obtained by moulding the plastic.

SPECIAL REQUESTS:

- It is possible to supply colours as shown in the table at page 29, on request and for quantities.



Art.	H	D	h2	h3	d1	d3	Weight (gr)
M14182.TG10,501	80	26	69	11	10,5	16,5	44
M14190.TG10,501	89	26	78	11	10,5	16,5	51

TAPERED AND REVOLVING HANDLES



BOTECA

ART. M144

REVOLVING HANDLE WITH SCREW AND NUT

MATERIAL:
Reinforced polyamide.
Oils and greases resistant.

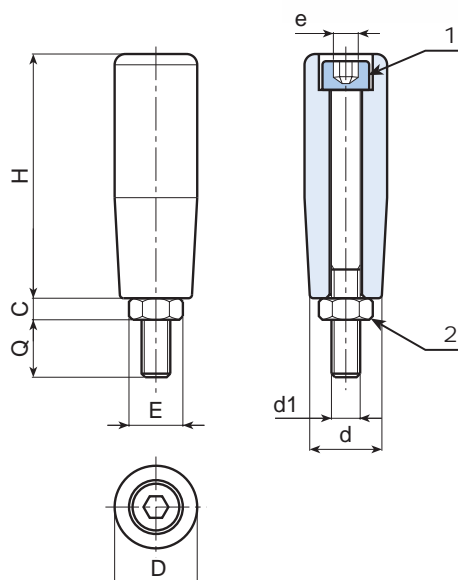
SURFACE:
Satin.

COLOUR:
Black (RAL 9011).

INSERTS:
(1) Threaded black oxide-treated steel screw TCCE
DIN 912.
(2) Threaded black oxide-treated steel nut DIN 934.

SPECIAL REQUESTS:

- It is possible to supply the inserts in different materials, on request and for quantities.
- It is possible to supply the inserts with different treatment-finishes, on request and for quantities.
- It is possible to supply colours as shown in the table at page 29, on request and for quantities.



Art.	H	D	d	c	E	e	d1	Q	Weight (gr)
M14450.TM06X1201	49	19	17	5	10 (11)	5 (6)	M6	9	30
M14450.TM08X1501	49	19	17	5	10 (11)	5 (6)	M8	12	32
M14460.TM08X1501	59	21	19	6	13 (15)	6 (7)	M8	15	56
M14470.TM08X1601	68	23	20	8	17 (19)	8 (9)	M8	16	68
M14470.TM10X1601	68	23	20	8	17 (19)	8 (9)	M10	16	92
M14480.TM10X1501	78	25	22	8	17 (19)	8 (9)	M10	15	110
M14490.TM12X1701	88	28	22,5	7	19 (21)	10 (12)	M12	17	150



ART. M144 CIN

REVOLVING HANDLE WITH STAINLESS STEEL SCREW AND NUT

INOX

MATERIAL:
Reinforced polyamide.
Oils and greases resistant.

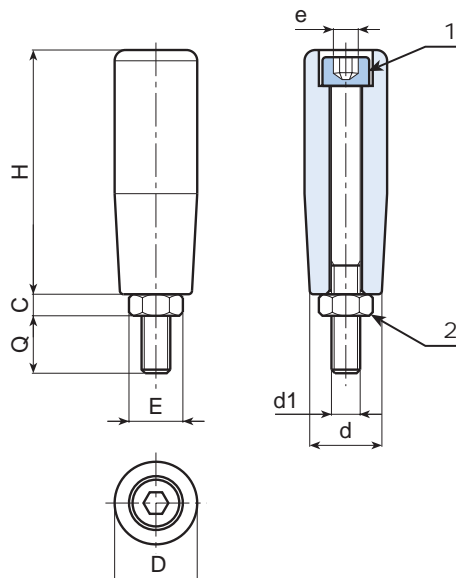
SURFACE:
Satin.

COLOUR:
Black (RAL 9011).

INSERTS:
(1) Threaded stainless steel screw (AISI 304)
TCCE DIN 912.
(2) Stainless steel nut (AISI 304) DIN 934.

SPECIAL REQUESTS:

- It is possible to supply colours as shown in the table at page 29, on request and for quantities.



Art.	H	D	d	c	E	e	d1	Q	Weight (gr)
M14450.TM06X1201CIN	49	19	17	5	10 (11)	5 (6)	M6	9	33
M14450.TM06X1501CIN	49	19	17	5	10 (11)	5 (6)	M8	12	35
M14460.TM08X1501CIN	59	21	19	6	13 (15)	6 (7)	M8	15	60
M14470.TM08X1601CIN	68	23	20	8	17 (19)	8 (9)	M8	16	73
M14470.TM10X1601CIN	68	23	20	8	17 (19)	8 (9)	M10	16	96
M14480.TM10X1501CIN	78	25	22	7	17 (19)	8 (9)	M10	15	115
M14490.TM12X1701CIN	88	28	22,5	7	19 (21)	10 (12)	M12	17	160



BOTECA

ART. M145

REVOLVING HANDLE WITH RING NUT

MATERIAL:
Reinforced polyamide.
Oils and greases resistant.

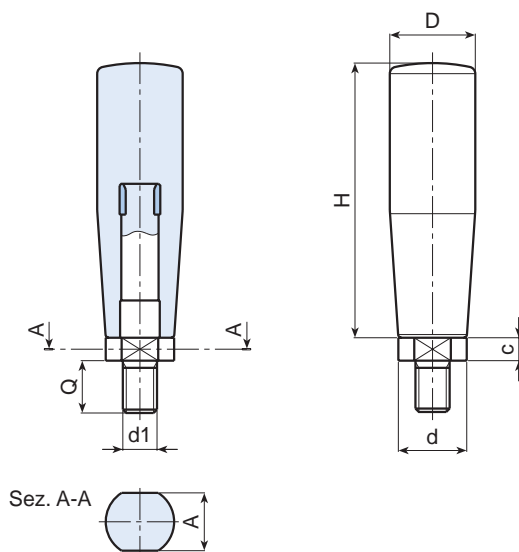
SURFACE:
Satin.

COLOUR:
Black (RAL 9011).

REVOLVING INSERT:
Zinc plated steel threaded stud with ring nut and wrench seat.

SPECIAL REQUESTS:

- It is possible to supply the inserts with different treatment-finishes, on request and for quantities.
- It is possible to supply colours as shown in the table at page 29, on request and for quantities.



Art.	H	D	d	d1	c	A	Q	Weight (gr)
M14550.TM06X1201	50	20	12	M6	5	10	12	32
M14560.TM08X1501	60	23	18	M8	6	16	15	74
M14570.TM08X1501	69	25	18	M8	7	16	15	82
M14570.TM10X1501	69	25	18	M10	7	16	15	86
M14580.TM10X1501	80	25	20	M10	7	17	15	92
M14580.TM12X1501	80	25	20	M12	7	17	15	96
M14590.TM10X1501	89	27	20	M10	7	17	15	104
M14590.TM12X1501	89	27	20	M12	7	17	15	108



BOTECA

ART. M145 CIN

REVOLVING HANDLE WITH STAINLESS STEEL RING NUT

INOX

MATERIAL:
Reinforced polyamide.
Oils and greases resistant.

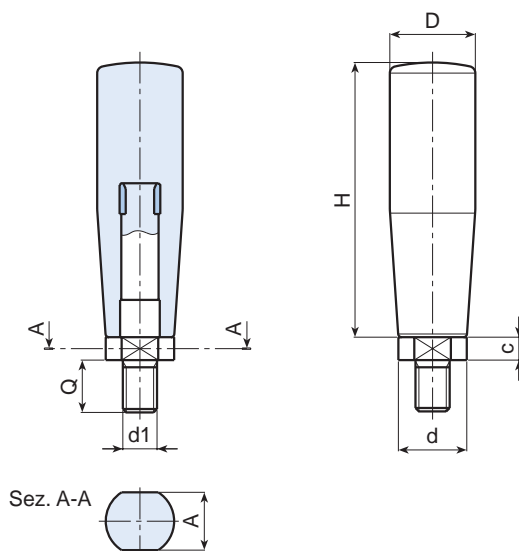
SURFACE:
Satin.

COLOUR:
Black (RAL 9011).

REVOLVING INSERT:
Stainless steel (AISI 303) threaded stud with ring brass nut and wrench seat.

SPECIAL REQUESTS:

- It is possible to supply colours as shown in the table at page 29, on request and for quantities.



Art.	H	D	d	d1	c	A	Q	Weight (gr)
M14550.TM06X1201CIN	50	20	12	M06	5	10	12	32
M14560.TM08X1501CIN	60	23	18	M08	6	16	15	74
M14570.TM08X1501CIN	69	25	18	M08	7	16	15	82
M14570.TM10X1501CIN	69	25	18	M10	7	16	15	86
M14580.TM10X1501CIN	80	25	20	M10	7	17	15	92
M14580.TM12X1501CIN	80	25	20	M12	7	17	15	96
M14590.TM10X1501CIN	89	27	20	M10	7	17	15	104
M14590.TM12X1501CIN	89	27	20	M12	7	17	15	108



BOTECA

ART. M146

HANDLE WITH SELF-FIX HOLE

MATERIAL:
Reinforced polyamide.
Oils and greases resistant.

SURFACE:
Satin.

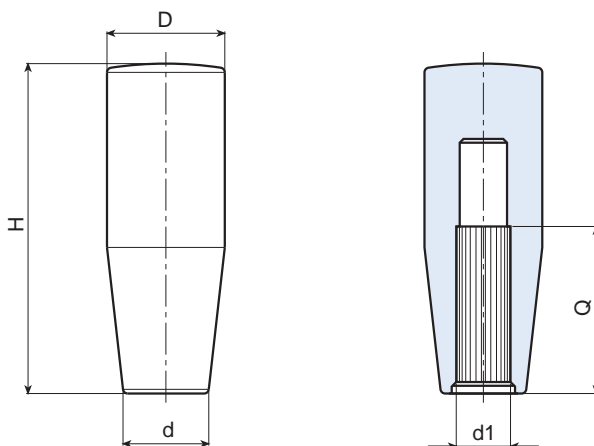
COLOUR:
Black (RAL 9011).

HOLE:
Female smooth blind hole obtained by moulding the plastic.

FIXING:
Push fit.

SPECIAL REQUESTS:

- It is possible to supply colours as shown in the table at page 29, on request and for quantities.



Art.	H	D	d	d1	Q	Weight (gr)
M14650.TG0801	50	20	15	D8	38	14
M14650.TG1001	50	20	15	D10	38	12
M14660.TG0801	60	23	17	D8	50	24
M14660.TG1001	60	23	17	D10	50	20
M14660.TG1201	60	23	17	D12	50	20
M14670.TG0801	70	25	19	D8	50	32
M14670.TG1001	70	25	19	D10	54	30
M14670.TG1201	70	25	19	D12	54	28
M14680.TG1001	80	25	20	D10	54	40
M14680.TG1201	80	25	20	D12	54	38
M14680.TG1401	80	25	20	D14	50	34
M14690.TG1201	91	27	22,5	D12	54	46
M14690.TG1401	91	27	22,5	D14	71	42
M14690.TG1601	91	27	22,5	D16	70	38



BOTECA

“EUROMODEL” REVOLVING HANDLE WITH SCREW

MATERIAL:
Reinforced polyamide.
Oils and greases resistant.

SURFACE:
Satin.

COLOUR:
Black (RAL 9011).

CENTRAL CAP:
(1) Grey polyamide (RAL 7035 code 13).

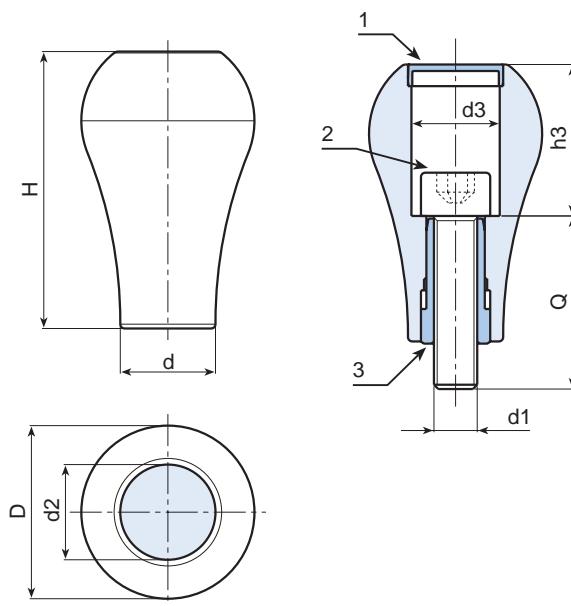
ALTERNATIVE CAP COLOUR:
Orange (RAL 2004 code 02).
Blue (RAL 5015 code 07).
Yellow (RAL 1021 code 10).
Red (RAL 3000 code 16).
Green (RAL 6024 code 17).
Black (RAL 9011 code 01).

INSERTS:
(2) Zinc plated steel threaded screw DIN 912/UNI 5931.
(3) Zinc plated steeladapter bush with through-hole.

CAUTION: The handle is delivered unassembled and packaged separately.

SPECIAL REQUESTS:

- It is possible to supply the inserts with different lengths, on request and for quantities.
- It is possible to supply the inserts in different materials, on request and for quantities.
- It is possible to supply colours as shown in the table at page 29, on request and for quantities.



Art.	H	D	d	d2	d3	h3	d1	Q	Weight (gr)
M20264.TM08X1101	64	40	22,5	22	20,5	34,5	M08	40	90
M20264.TM10X1101	64	40	22,5	22	20,5	34,5	M10	40	95

ART. M229

“EUROMODEL” REVOLVING HANDLE WITH HEXAGON SOCKET HEAD STUD

MATERIAL:
Reinforced polyamide.
Oils and greases resistant.

SURFACE:
Satin.

COLOUR:
Black (RAL 9011).

CENTRAL CAP:
Grey ABS (RAL 7035 code 13).

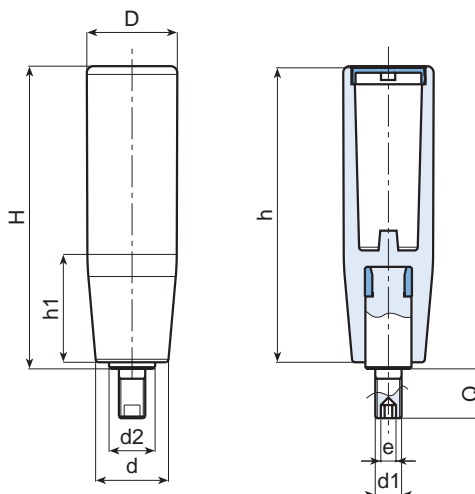
ALTERNATIVE CAP COLOUR:
Orange (RAL 2004 cod. 02).
Blue (RAL 5015 cod. 07).
Yellow (RAL 1021 cod. 10).
Red (RAL 3000 cod. 16).
Green (RAL 6024 cod. 17).
Black (RAL 9011 cod. 01).

REVOLVING INSERT:
Zinc plated steel threaded stud with hexagon socket head.



SPECIAL REQUESTS:

- It is possible to supply the inserts with different treatment-finishes, on request and for quantities.
- It is possible to supply colours as shown in the table at page 29, on request and for quantities.



Art.	H	D	d	d2	e	h	h1	d1	Q	Weight (gr)
M22990.TM10X150113	91,5	27	22	14	5	89,5	32	M10	15	78
M22990.TM12X150113	91,5	27	22	14	5	89,5	32	M12	15	82

ART. M229 CIN

“EUROMODEL” REVOLVING HANDLE WITH STAINLESS STEEL HEXAGON SOCKET HEAD STUD

INOX



MATERIAL:
Reinforced polyamide.
Oils and greases resistant.

SURFACE:
Satin.

COLOUR:
Black (RAL 9011).

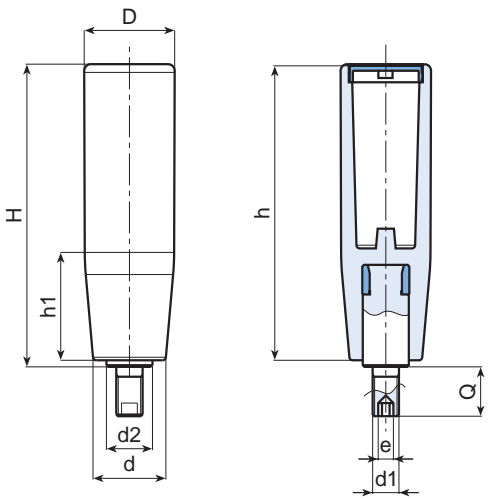
CENTRAL CAP:
Grey ABS (RAL 7035 code 13).

ALTERNATIVE CAP COLOUR:
Orange (RAL 2004 cod. 02).
Blue (RAL 5015 cod. 07).
Yellow (RAL 1021 cod. 10).
Red (RAL 3000 cod. 16).
Green (RAL 6024 cod. 17).
Black (RAL 9011 cod. 01).

REVOLVING INSERT:
Threaded stud stainless steel (AISI 303) with hexagon socket head and brass ring.

SPECIAL REQUESTS:

- It is possible to supply colours as shown in the table at page 29, on request and for quantities.



Art.	H	D	d	d2	e	h	h1	d1	Q	Weight (gr)
M22990.TM10X150113CIN	91,5	27	22	14	5	89,5	32	M10	15	78
M22990.TM12X150113CIN	91,5	27	22	14	5	89,5	32	M12	15	82

ART. M238

“EUROMODEL” HANDLE WITH THREADED HOLE

MATERIAL:
Reinforced polyamide.
Oils and greases resistant.

SURFACE:
Satin.

COLOUR:
Black (RAL 9011).

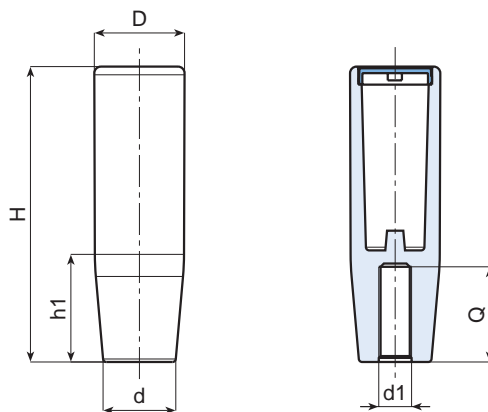
CENTRAL CAP:
Grey ABS (RAL 7035 code 13).

ALTERNATIVE CAP COLOUR:
Orange (RAL 2004 cod. 02).
Blue (RAL 5015 cod. 07).
Yellow (RAL 1021 cod. 10).
Red (RAL 3000 cod. 16).
Green (RAL 6024 cod. 17).
Black (RAL 9011 cod. 01).

HOLE:
Female threaded blind hole obtained by moulding the plastic.

SPECIAL REQUESTS:

- It is possible to supply colours as shown in the table at page 29, on request and for quantities.



Art.	H	D	d	h1	d1	Q	Weight (gr)
M23890.TM120113	89,5	27	22	32	M12	30	40
M23890.TM100113	89,5	27	22	32	M10	30	39
M23890.TM120113	89,5	27	22	32	M12	30	37

ART. M240

“EUROMODEL” HANDLE WITH THREADED STUD

MATERIAL:
Reinforced polyamide.
Oils and greases resistant.

SURFACE:
Satin.

COLOUR:
Black (RAL 9011).

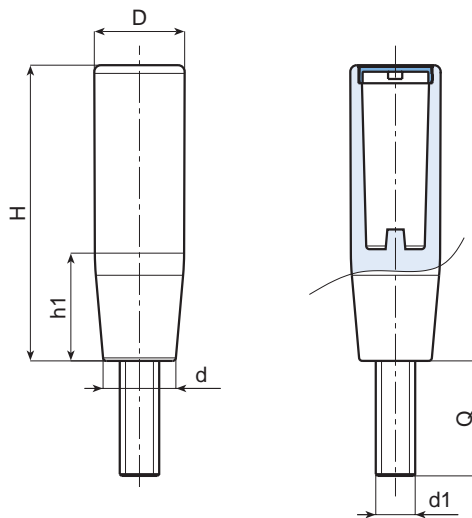
CENTRAL CAP:
Grey ABS (RAL 7035 code 13).

ALTERNATIVE CAP COLOUR:
Orange (RAL 2004 cod. 02).
Blue (RAL 5015 cod. 07).
Yellow (RAL 1021 cod. 10).
Red (RAL 3000 cod. 16).
Green (RAL 6024 cod. 17).
Black (RAL 9011 cod. 01).

MAIN INSERT:
Zinc plated steel threaded stud (maximum length available 80 mm.).

SPECIAL REQUESTS:

- It is possible to supply the inserts with different lengths, on request and for quantities.
- It is possible to supply the inserts in different materials, on request and for quantities.
- It is possible to supply colours as shown in the table at page 29, on request and for quantities.



Art.	H	D	d	h1	d1	Q	Weight (gr)
M24090.TM08X..0113	89,5	27	22	32	M8	10-20-30	65-68-71
M24090.TM10X..0113	89,5	27	22	32	M10	10-20-30	70-75-80
M24090.TM12X..0113	89,5	27	22	32	M12	20-30-40	83-90-97

ART. M245

“EUROMODEL” REVOLVING HANDLE WITH RING NUT

MATERIAL:
Reinforced polyamide.
Oils and greases resistant.

SURFACE:
Satin.

COLOUR:
Black (RAL 9011).

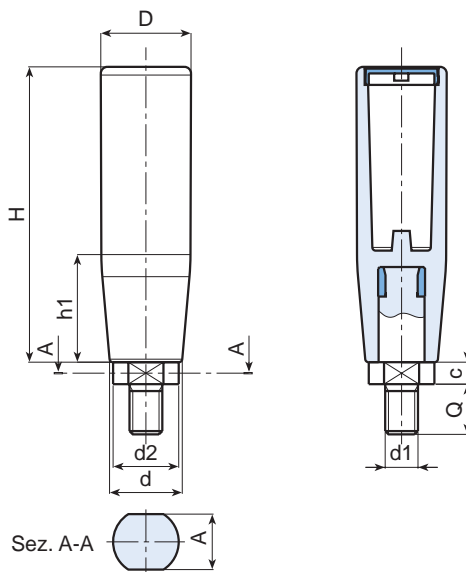
CENTRAL CAP:
Grey ABS (RAL 7035 code 13).

ALTERNATIVE CAP COLOUR:
Orange (RAL 2004 cod. 02).
Blue (RAL 5015 cod. 07).
Yellow (RAL 1021 cod. 10).
Red (RAL 3000 cod. 16).
Green (RAL 6024 cod. 17).
Black (RAL 9011 cod. 01).

REVOLVING INSERT:
Zinc plated steel threaded stud with ring nut and wrench seat.

SPECIAL REQUESTS:

- It is possible to supply the inserts with different treatment-finishes, on request and for quantities.
- It is possible to supply colours as shown in the table at page 29, on request and for quantities.



Art.	H	D	d	d2	A	c	h1	d1	Q	Weight (gr)
M24590.TM10X150113	89,5	27	22	20	17	7	32	M10	15	89
M24590.TM12X150113	89,5	27	22	20	17	7	32	M12	15	89

ART. M245 CIN

“EUROMODEL” REVOLVING HANDLE WITH STAINLESS STEEL RING NUT

INOX

MATERIAL:
Reinforced polyamide.
Oils and greases resistant.

SURFACE:
Satin.

COLOUR:
Black (RAL 9011).

CENTRAL CAP:
Grey ABS (RAL 7035 code 13).

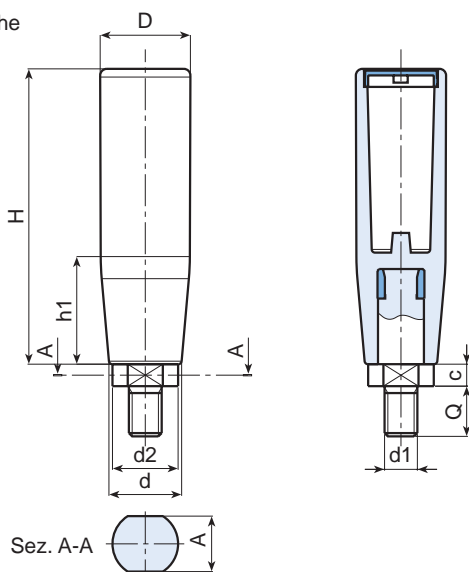
ALTERNATIVE CAP COLOUR:
Orange (RAL 2004 cod. 02).
Blue (RAL 5015 cod. 07).
Yellow (RAL 1021 cod. 10).
Red (RAL 3000 cod. 16).
Green (RAL 6024 cod. 17).
Black (RAL 9011 cod. 01).

REVOLVING INSERT:
Stainless steel (AISI 303) threaded stud with ring brass nut and wrench seat.



SPECIAL REQUESTS:

- It is possible to supply colours as shown in the table at page 29, on request and for quantities.



Art.	H	D	d	d2	A	c	h1	d1	Q	Weight (gr)
M24590.TM10X150113CIN	89,5	27	22	20	17	7	32	M10	15	89
M24590.TM12X150113CIN	89,5	27	22	20	17	7	32	M12	15	89

ART. M246

“EUROMODEL” HANDLE WITH SELF-FIX HOLE

MATERIAL:
Reinforced polyamide.
Oils and greases resistant.

SURFACE:
Satin.

COLOUR:
Black (RAL 9011).

CENTRAL CAP:
Grey ABS (RAL 7035 code 13).

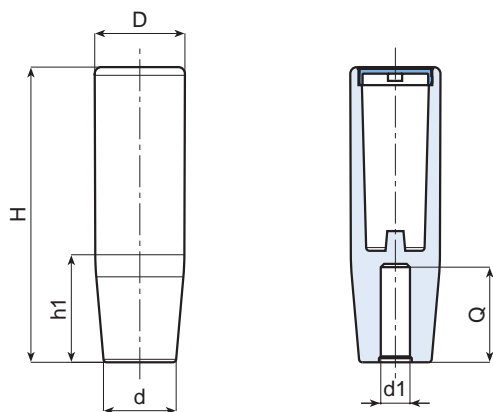
ALTERNATIVE CAP COLOUR:
Orange (RAL 2004 cod. 02).
Blue (RAL 5015 cod. 07).
Yellow (RAL 1021 cod. 10).
Red (RAL 3000 cod. 16).
Green (RAL 6024 cod. 17).
Black (RAL 9011 cod. 01).

HOLE:
Female smooth blind hole obtained by moulding the plastic.

FIXING:
Push fit.

SPECIAL REQUESTS:

- It is possible to supply colours as shown in the table at page 29, on request and for quantities.



Art.	H	D	d	h1	d1	Q	Weight (gr)
M24690.TG080113	89,5	27	22	32	D8	28	40
M24690.TG100113	89,5	27	22	32	D10	28	39
M24690.TG120113	89,5	27	22	32	D12	28	38
M24690.TG140113	89,5	27	22	32	D14	28	37

ART. M510

HANDLE WITH SELF-FIX HOLE

MATERIAL:
Polyethylene.

SURFACE:
Glossy.

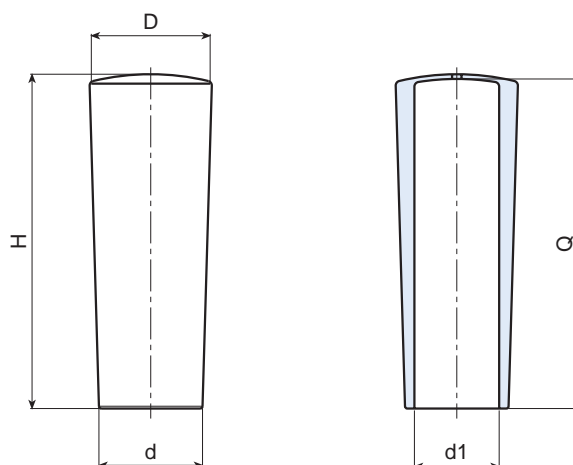
COLOUR:
Black (RAL 9011).

HOLE:
Female smooth blind hole obtained by moulding the plastic.

FIXING:
Push fit.

SPECIAL REQUESTS:

- None.



Art.	H	D	d	d1	Q	Weight (gr)
M51033.EG0801	33	16	14	08	31	3
M51033.EG0901	33	16	14	09	31	3
M51036.EG1001	38	18	15,5	10	35	5
M51036.EG1101	38	18	15,5	11	35	5
M51037.EG1201	43	20	16	12	40	6
M51047.EG1401	47	22,5	18	14	44	8
M51063.EG1601	62	24	20	16	59	11
M51072.EG1801	71	26	21	18	70	14
M51078.EG2001	79	29	23,5	20	75	18



BOTECA

ART. M720

RECTANGULAR HANDLE WITH SELF-FIX HOLE

MATERIAL:
Polyethylene.

SURFACE:
Satin.

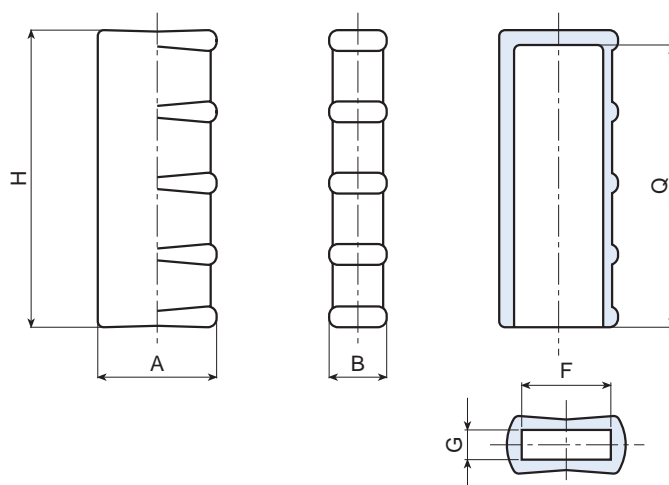
COLOUR:
Black (RAL 9011).

HOLE:
Female rectangular smooth blind hole obtained by moulding the plastic.

FIXING:
Push fit.

SPECIAL REQUESTS:

- None.



Art.	H	A	B	F	G	Q	Weight (gr)
M72079.EG05X2001	77	32	17	20,5	5,5	74	23
M72079.EG06X2001	77	32	17	20,5	6,5	74	21
M72079.EG08X2001	77	32	17	20,5	9	74	19
M72079.EG10X2001	77	32	17	20,5	10	74	18
M720100.EG10X2801	99	40	20	28,5	10,5	93	34
M720100.EG10X3001	99	40	20	29,5	10,5	93	33



BOTECA