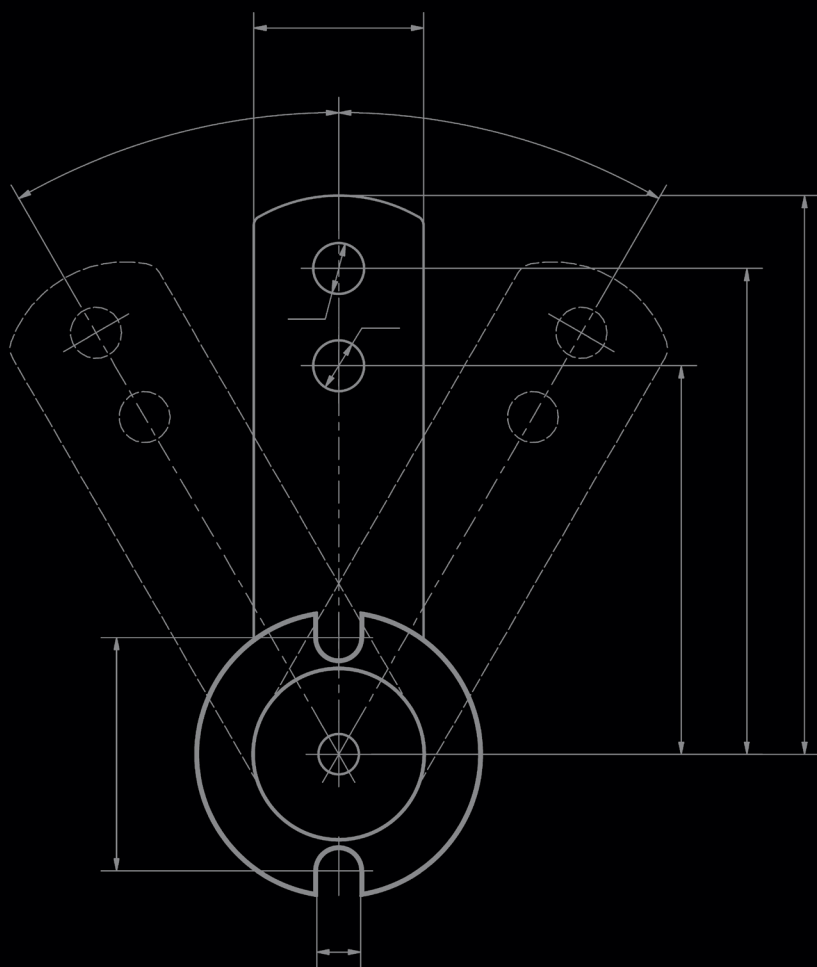




TENSIONERS CATALOGUE

Made in Italy





LINEAR TENSIONERS

PAGE 07

- ASSEMBLY INSTRUCTIONS TYPE AS - TYPE L
- LINEAR TENSIONER CHT-L
- LINEAR TENSIONER CHT-AS
- LINEAR CHAIN TENSIONER CHT-ASR CHT-ASTN
- LINEAR CHAIN TENSIONER CHT-ASFR TN
- LINEAR BELT TENSIONER CHT-ASRU
- LINEAR CHAIN TENSIONER CHT-LP
- LINEAR CHAIN TENSIONER CHT-ASGE
- LINEAR CHAIN TENSIONER CHT-ASGO
- LINEAR CHAIN TENSIONER CHT-ASGA
- LINEAR CHAIN TENSIONER CHT-PAE-PAO

COMPONENTS

PAGE 36

- BELT TENSIONER ROLLER CHT-RU
- SLIDING BLOCK CHT-GE-P
- CHAIN TENSIONER SLIDING BLOCK CHT-GA CHT-GE CHT-GO
- CHAIN TENSIONER SLIDING BLOCK SPARE PARTS ASGA - ASGE - ASGO
- CHAIN TENSIONER SPROCKET CHT-R
- CHAIN TENSIONER SPROCKET CHT-TN

STAINLESS STEEL TENSIONERS

PAGE 42

- ASSEMBLY INSTRUCTIONS TYPE T SS
- ROTATING TENSIONERS CHT-T SS
- ROTATING BELT TENSIONER CHT-TRU SS
- ASSEMBLY INSTRUCTIONS TYPE E SS
- ROTATING TENSIONER CHT-E SS
- ROTATING TENSIONER CHT-ER SS
- ROTATING BELT TENSIONER CHT-ERU SS
- ROTATING CHAIN TENSIONER CHT-EGE SS
- ROTATING TENSIONER CHT-T SS
- ROTATING TENSIONER CHT-TR SS
- ROTATING TENSIONER CHT-TRU SS
- LINEAR TENSIONER CHT-AS SS
- LINEAR TENSIONER CHT-ASR SS
- LINEAR TENSIONER CHT-ASRU SS

ROTATING TENSIONERS

PAGE 21

- ASSEMBLY INSTRUCTIONS TYPE T
- ROTATING CHAIN TENSIONER CHT-T
- ROTATING CHAIN TENSIONER CHT-TR CHT-TTN
- ROTATING CHAIN TENSIONER CHT-TGE
- ROTATING CHAIN TENSIONER CHT-TRU
- ASSEMBLY INSTRUCTIONS TYPE E
- ROTATING TENSIONER CHT-E
- ROTATING TENSIONER CHT-ER
- ROTATING CHAIN TENSIONER CHT-ERU
- ROTATING CHAIN TENSIONER CHT-EGE



CONSTRUCTION FEATURES

Chiaravalli Group SpA manufactures all its automatic tensioners in Italy. Our automatic tensioners keep the chains and belts at a constant tension. Their automatic tensioning action improves performance and increases the lifespan of the chains and belts, eliminating the need for maintenance. Moreover, the tensioners can also be used as presses to hold any moving parts in the desired position on the conveyor lines. The built-in spring mechanism acts as a shock absorber, handling overload and reducing vibrations. The lubrication and self-lubricating dry bushings with standard PTFE in all axial AS versions and standard sintered bronze in all rotating T versions make our tensioners reliable, silent, and maintenance-free. The force expressed in N is obtained through “pressure” tests carried out in the laboratory. All tensioners have undergone load verification with continuous compression, as indicated by the relevant certifications available in the tensioners section of our website. A tolerance of +/- 5% should be considered for the indicated values.





MADE IN ITALY TENSIONERS BRAND CHT®

The tensioners are available in a wide variety of models and sizes, and they are used in various applications such as agricultural machinery, conveyor belts, packaging machines, bottling machines, printing, and a multitude of other industrial applications, wherever there are chains and belts. The high quality of the materials used and the precision of the manufacturing make our tensioners superior products, outstanding for durability, and capacity of withstanding heavy loads in any environment.

All tensioners with an aluminum shaft are painted black through the cataphoresis coating process. Cataphoresis coating is an immersion electro-deposition of paint using electric current. The deposited film provides the products with excellent appearance and anticorrosive characteristics, prolonging their preservation over time.

The tensioners can be supplied as individual components in linear AS and L versions, as well as rotating T and E versions. Alternatively, they can be supplied already complete with a chain tensioner sprocket, belt tensioner roller, or UHMW polyethylene chain tensioner sliding block with a high molecular weight of 1,000,000, available in black but also in different colors.

Furthermore, upon request, special tensioners with customized dimensions and loads can be provided.





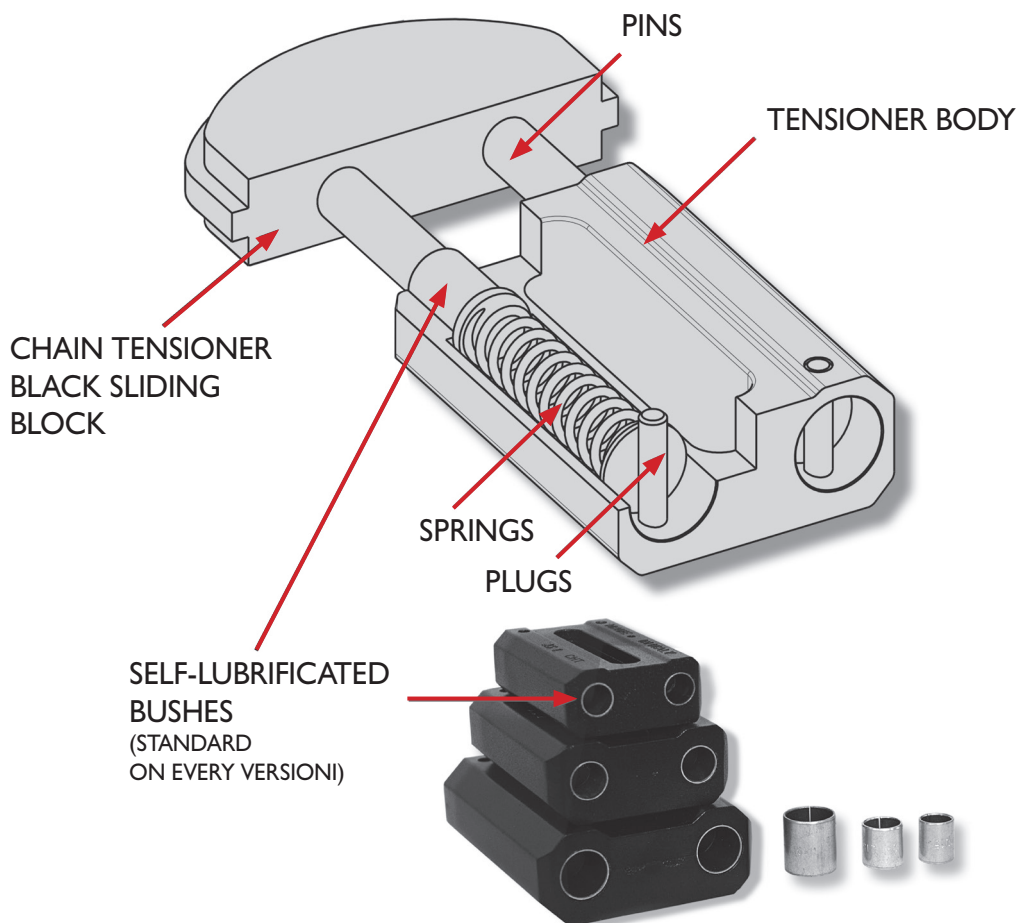
SPECIAL
TENSIONERS
ON DEMAND



LINEAR TENSIONERS TYPE CHT-AS

The CHT-AS series of automatic tensioners and their respective variants (which can be found on the following pages) maintain constant tension on the chains or belts by axially recovering their elongation through multiple compression springs inserted inside the base shaft. The structural parts are made of high-strength die-cast aluminum, painted black using the cathoporesis coating process. PTFE self-lubricating bushes are used on all sizes and versions to provide perfectly smooth seats for the pins to slide without any wear points. Multiple compression springs made of carefully wound steel alloy elements provide constant tension. The force expressed in N is obtained through “pressure” tests performed in the laboratory.

All tensioners have undergone continuous compression load verification, as indicated by the relevant certifications available on our website. A tolerance of $\pm 5\%$ should be considered for the indicated values. Simple installation with the possibility of preloading the tensioner through the front hole.





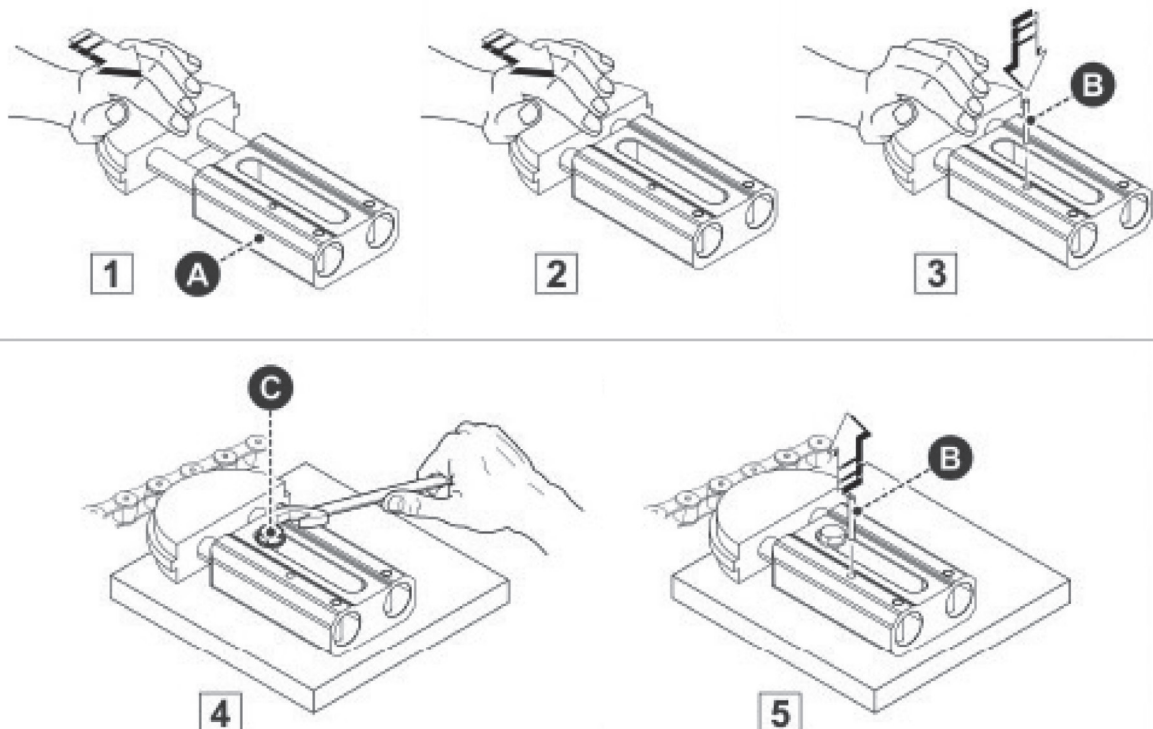
ASSEMBLY INSTRUCTIONS TYPE AS - TYPE L

TYPE AS - TYPE L

- 1) Preload tensioner "A".
- 2) Compress the spring.
- 3) Insert pin "B" into the front hole, on the basic frame.
- 4) Secure locking screw "C" at the highest point of the loop to allow for forward movement of the tensioner if necessary.
- 5) Remove pin "B".

NOTE

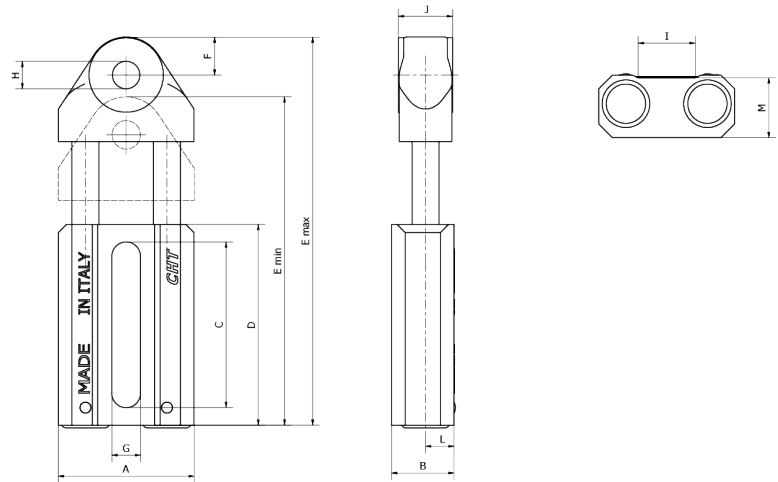
In case of irregular surfaces or heavy-duty applications, it is recommended to use two fixing screws to prevent the tensioner from rotating.





LINEAR TENSIONER CHT - L

- Tensioner Type L: the compact version allows for a different choice of tension force while keeping a very small footprint. By changing the springs and the accessory head on the same frame, it is possible to install chain tensioner sprockets R or TN or belt rollers RU. The base structure is made of high resistance die-cast aluminium.
- Dry standard self-lubricating bushings with PTFE
- Available with Stainless Steel springs, studs, plugs and washers.
- With bottom closure caps for the tensioner.



CAD drawings available on www.chiaravalli.com
Availability, quantity and prices on B2B Chiaravalli

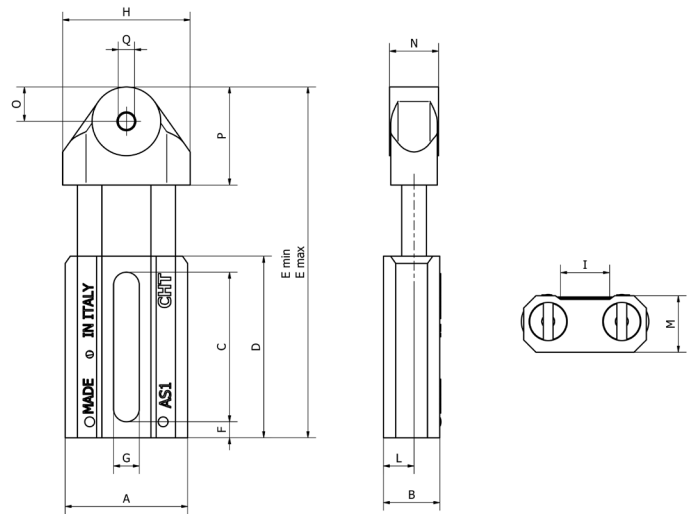
Type	Part Number	Newton	A	B	C	D	E min	E max	F	G	H	I	J	L	M	Weight kg.
L 1	94020001	240	50	23	61	74	119	143	14	10,5	M 12	20	20	12,5	22	0,26
L 2	94020002	350	50	23	61	74	129	153	14	12	M 12	20	20	12,5	22	0,28
L 3	94020003	450	50	23	61	74	139	163	14	12	M 12	20	20	12,5	22	0,32





LINEAR TENSIONER CHT - AS

- Tensioner AS with aluminium head for accessories mounting.
- Dry standard self-lubricating bushings with PTFE
- The force (N) is calculated through pressure tests performed in the laboratory.
- Available with Stainless Steel springs, studs, plugs and washers.



CAD drawings available on www.chiaravalli.com
Availability, quantity and prices on B2B Chiaravalli

Type	Part Number	Newton	A	B	C	D	E min	E max	F	G	H	I	L	M	N	O	P	Q	Weight kg.
AS1 M8	94021008N	280	50	23	61	74	119	143	6,5	10,5	52	20	12,5	22	20	14	40	M8	0,28
AS1 M10	94021010N	280	50	23	61	74	119	143	6,5	10,5	52	20	12,5	22	20	14	40	M10	0,27
AS1 M12	94021012N	280	50	23	61	74	119	143	6,5	10,5	52	20	12,5	22	20	14	40	M12	0,26
AS1 M16	94021016N	280	50	23	61	74	119	143	6,5	10,5	52	20	12,5	22	20	14	40	M16	0,25
AS2 M12	94022012N	460	67	28	73	87	144	176	7	12,5	67	25	15	25,5	25	11	50	M12	0,52
AS2 M16	94022016N	460	67	28	73	87	144	176	7	12,5	67	25	15	25,5	25	11	50	M16	0,51
AS3 M12	94023012N	690	80	32,5	88	104	172	209	8	14,5	80	29,5	17,5	28,5	30	11	60	M12	0,89
AS3 M14	94023014N	690	80	32,5	88	104	172	209	8	14,5	80	29,5	17,5	28,5	30	11	60	M14	0,88
AS3 M16	94023016N	690	80	32,5	88	104	172	209	8	14,5	80	29,5	17,5	28,5	30	11	60	M16	0,88
AS3 M20	94AS3M20	690	80	32,5	88	104	172	209	8	14,5	80	29,5	17,5	28,5	30	11	60	M20	0,88

ON DEMAND
SPECIAL TENSIONERS WITH
PASSING RODS

TRACTION OPERATION



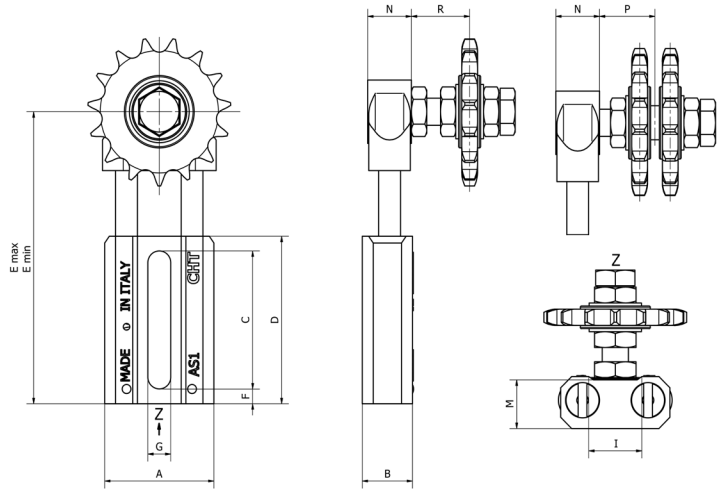
ON DEMAND
SPECIAL TENSIONERS WITH
TRACTION OPERATION





LINEAR TENSIONER CHT - ASR

- Tensioner AS with chain tensioner sprocket
- Dry standard self-lubricating bushings with PTFE
- The force (N) is calculated through pressure tests performed in the laboratory.
- Available with Stainless Steel springs, studs, plugs and washers.



CAD drawings available on www.chiaravalli.com
 Availability, quantity and prices on B2B Chiaravalli

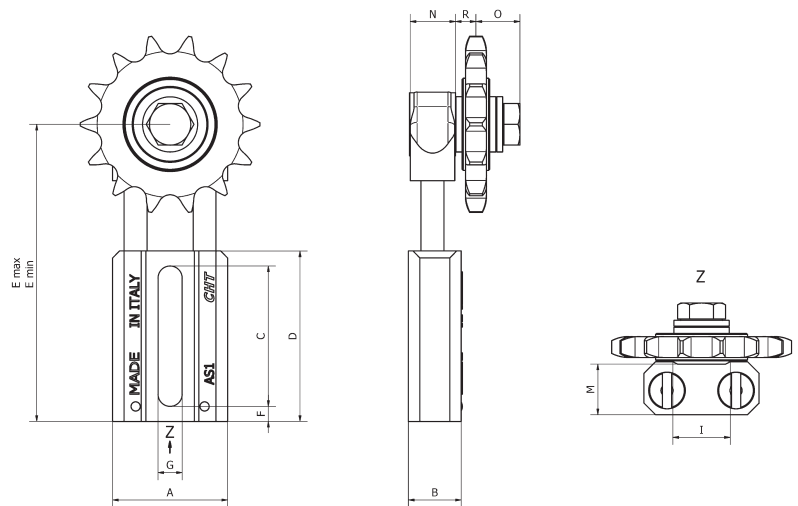
Type	Part Num. Simple	Part Num. Double	Newton	Chain pitch	Teeth	A	B	C	D	E Min	E Max	F	G	I	L	M	N	R Min single	R Max single	P Min double	P Max double	Weight kg.
ASR1-3/8"15	94021091	94021092	280	3/8"x 7/32"	15	50	23	61	74	105	129	6,5	10,5	20	12,5	22	20	19,5	26,05	25,34	25,34	0,45
ASR1-1/2"16	94021121	94021122	280	1/2"x 5/16"	15	50	23	61	74	105	129	6,5	10,5	20	12,5	22	20	20,45	23,70	27,32	27,32	0,50
ASR1-5/8"17	94021151	94021152	280	5/8"x 3/8"	15	50	23	61	74	105	129	6,5	10,5	20	12,5	22	20	20,31	44,47	28,12	35,02	0,70
ASR2-5/8"17	94022151	94022152	460	5/8"x 3/8"	15	67	28	73	87	133	165	7	12,5	25	15	25	25	20,95	40,05	27,78	30,14	0,95
ASR2-3/4"15	94022191	94022192	460	3/4"x 7/16"	15	67	28	73	87	133	165	7	14,5	25	15	25	25	21,75	39,18	31,38	31,38	1,15
ASR3-1"12	94022351	94023252	690	1"x 17mm	12	80	32,5	88	104	154	165	8	14,5	29,5	17,5	28,5	30	28,05	54,70	38,55	38,55	1,75





LINEAR CHAIN TENSIONER CHT - ASTN

- Tensioner AS with tensioner chain sprocket TN
- Dry standard self-lubricating bushings with PTFE
- The force (N) is calculated through pressure tests performed in the laboratory.
- Available with Stainless Steel springs, studs, plugs and washers.



CAD drawings available on www.chiaravalli.com
Availability, quantity and prices on B2B Chiaravalli

Type	Part Num. Simple	Part Num. Double	Newton N	Chain Pitch	Teeth	A	B	C	D	E Min	E Max	F	G	I	L	M	N	O	R	Weight kg.
ASTN1-3/8"21	940210921	-	280	3/8" x 7/32"	21	50	23	61	74	105	129	6,5	10,5	20	12,5	22	20	19,2	9,1	0,47
ASTN1-1/2"16	940211216	-	280	1/2" x 5/16"	16	50	23	61	74	105	129	6,5	10,5	20	12,5	22	20	19,2	9,1	0,49
ASTN1-5/8"17	940211517	-	280	5/8" x 3/8"	17	50	23	61	74	105	129	6,5	10,5	20	12,5	22	20	19,2	9,1	0,68
ASTN1-5/8"17	940211517	-	280	5/8" x 3/8"	17	67	28	73	87	133	165	7	12,5	25	15	25,5	25	19,2	9,1	1,04

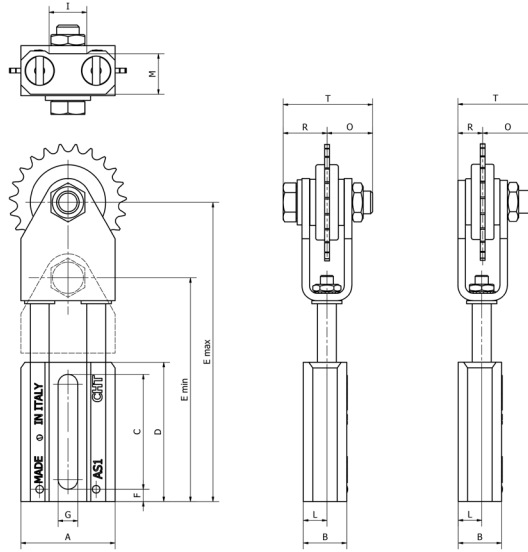




LINEAR CHAIN TENSIONER CHT - ASFR TN

- Tensioner ASFR with chain tensioner sprocket TN
- Dry standard self-lubricating bushings with PTFE
- Available with Stainless S teel springs, studs, plugs and washers.
- Available with bolts for mounting chain tensioner sprocket TN.
- Without any obstruction on the mounting surface for the ASFR-SV versions, which come with flared head

CAD drawings available on www.chiaravalli.com
 Availability, quantity and prices on B2B Chiaravalli



Type	Part Num. simple	Newton	A	B	C	D	E min	E max	F	G	I	L	M	O	R	T	Weight kg.
ASFR1 10 SV	94ASFR1SV	280	50	23	61	74	133	157	6,5	10,5	20	12,5	22	22	13	35	0,39
ASFR1 12	94ASFR112	280	50	23	61	74	133	157	6,5	10,5	20	12,5	22	27	21	48	0,39
ASFR2 10 SV	94ASFR2SV	460	67	28	73	87	161	193	7	12,5	25	15	25,5	22	13	35	0,63
ASFR2 12	94ASFR212	460	67	28	73	87	161	193	7	12,5	25	15	25,5	27	21	48	0,63
ASFR3 12 SV	94ASFR3SV	690	80	32,5	88	104	188	225	8	14,5	29,5	17,5	28,5	28,7	16,3	45	1,07
ASFR3 12	94ASFR312	690	80	32,5	88	104	188	225	8	14,5	29,5	17,5	28,5	33	17	52	1,07

Chain tensioner sprocket TN usable:

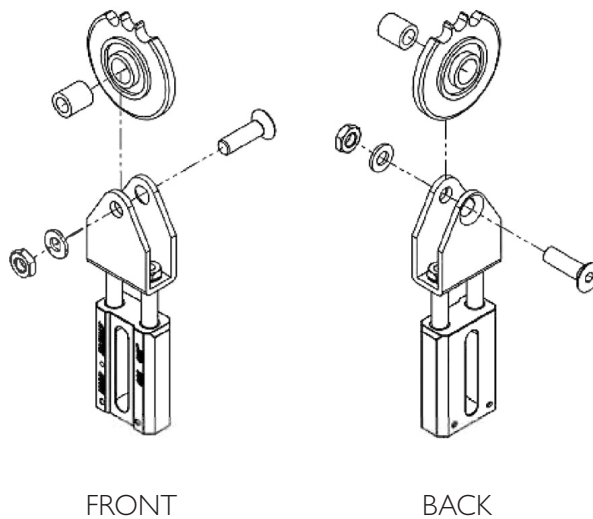
ASFR1: From Z 23 pitch 8 x 3 to Z 15 pitch 5/8" x 3/8" included

ASFR2: From Z 14 pitch 5/8" x 3/8" a Z 15 pitch 3/4" x 7/16" included

ASFR3: Z 12 pitch 1" x 17 .02

For more information regarding TN Sprocket refer to page 41

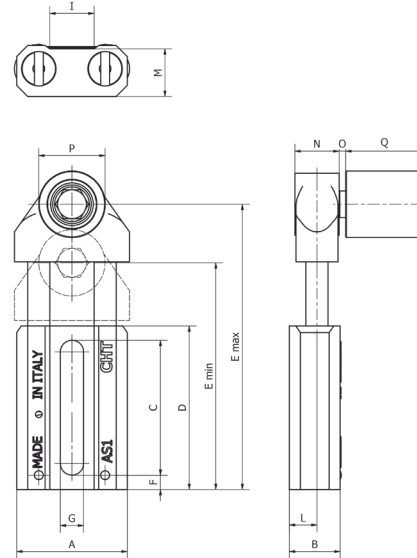
ASFR1 10 SV
 ASFR2 10 SV
 ASFR2 12 SV





LINEAR CHAIN TENSIONER CHT - ASRU

- Tensioner AS with roller belt-tensioner RU
- Dry standard self-lubricating bushings with PTFE
- The force (N) is calculated through pressure tests performed in the laboratory, with a tolerance +/- 5%.
- Available with Stainless Steel springs, studs, plugs and washers.



CAD drawings available on www.chiaravalli.com
Availability, quantity and prices on B2B Chiaravalli

Type	Part Num. Aluminium	Part Num. Stainless	Part Num. Polyamide	Newton	A	B	C	D	E Min	E Max	F	G	I	L	M	N	O	P	Q
ASRU1-3035	94021035	94021235	94021135	280	50	23	61	74	105	129	6,5	10,5	20	12,5	22	20	2,5	30	35
ASRU1-4045	94021045	94021245	94021145	280	50	23	61	74	105	129	6,5	10,5	20	12,5	22	20	2,5	40	45
ASRU1-5050	94021050	94021250	94021150	280	50	23	61	74	105	129	6,5	10,5	20	12,5	22	20	2,5	50	50
ASRU2-5050	94022050	94022250	94022150	460	67	28	73	87	133	165	7	12,5	25	15	25,5	25	2,5	50	50
ASRU3-5050	94023050	94023250	94023150	690	80	32,5	88	104	161	198	8	14,5	29,5	17,5	28,5	30	2,5	50	50
ASRU3-6060	94023060	94023260	94023160	690	80	32,5	88	104	161	198	8	14,5	29,5	17,5	28,5	30	2,5	60	60

Type	Weight kg. Aluminium	Weight kg. Stainless	Weight kg. Polyamide
ASRU1-3035	0,35	0,40	0,32
ASRU1-4045	0,46	0,59	0,43
ASRU1-5050	0,55	0,86	0,50
ASRU2-5050	0,81	1,13	0,76
ASRU3-5050	1,18	1,48	1,11
ASRU3-6060	1,34	1,95	1,22

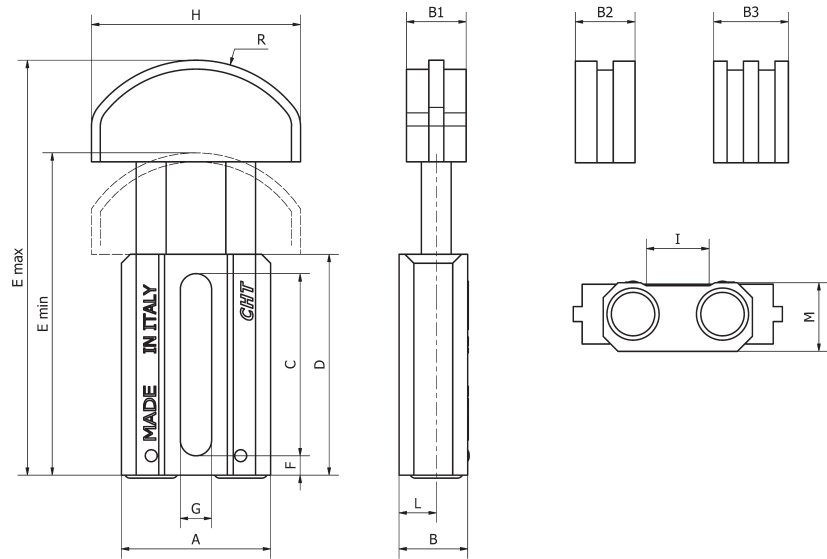




LINEAR CHAIN TENSIONER CHT - LP

- Tensioners LP: this compact version allows, on the same base, the use of different springs and tensioner the chain up to 24B3
- High molecular weight polyethylene UHMW sliding block (1.000.000).
- Elliptical profile for increased contact surface area on the chain.
- Dry standard self-lubricating bushes with PTFE
- Available with stainless steel springs, studs, plugs and washers.
- Supplied with the closing caps .

CAD drawings available on www.chiaravalli.com
 Availability, quantity and prices on B2B Chiaravalli



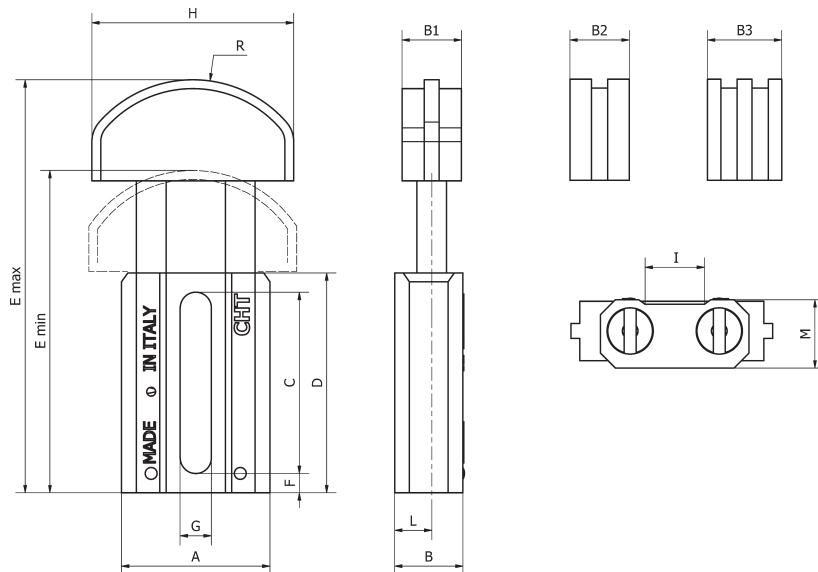
Type	Part Num. simple	Part Num. double	Part Num. triple	Newton	A	B	B1	B2	B3	C	E min	E max	F	G	H	I	L	M	R	Weight kg.
LP 1 3/8"	94010901	94010902	94010903	240	50	23	20	20	25	61	114	138	6,5	10,5	70 ^{+0,3}	20	12,5	22	42	0,24
LP 1 1/2"	94011201	94011202	94011203	240	50	23	20	20	35	61	114	138	6,5	10,5	70 ^{+0,3}	20	12,5	22	42	0,24
LP 2 5/8"	94011501	94011502	94011503	350	50	23	20	25	40	61	120	142	6,5	12	85 ^{+0,3}	20	12,5	22	50	0,25
LP 2 3/4"	94011901	94011902	94011903	350	50	23	20	30	49	61	120	142	6,5	12	85 ^{+0,3}	20	12,5	22	50	0,25
LP 3 1"	94012501	94012502	94012503	450	50	23	20	45	78	61	118	148	6,5	12	100 ^{+0,3}	20	12,5	22	58	0,27
LP 3 1"1/4	94013101	94013102	94013103	450	50	23	20	54	90	61	118	148	6,5	12	100 ^{+0,3}	20	12,5	22	58	0,27
LP 3 1"1/2	94013801	94013802	94013803	450	50	23	20	70	119	61	118	148	6,5	12	100 ^{+0,3}	20	12,5	22	58	0,27





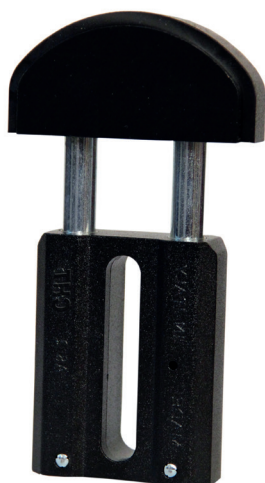
LINEAR CHAIN TENSIONER CHT - ASGE

- Tensioner AS with high molecular weight polyethylene UHMW sliding block (1.000.000).
- Elliptical profile for increased contact surface area on the chain.
- Dry standard self-lubricating bushes with PTFE.
- The force (N) is calculated through pressure tests performed in the laboratory, with a tolerance +/- 5%.
- Available with Stainless Steel springs, studs, plugs and washers.



CAD drawings available on www.chiaravalli.com
Availability, quantity and prices on B2B Chiaravalli

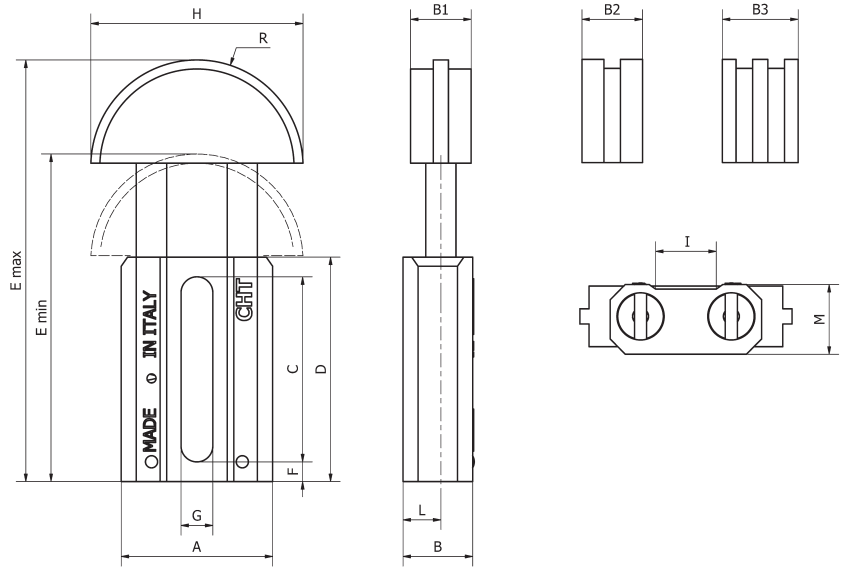
Type	Part Num. simple	Part Num. double	Part Num. triple	Newton	Chain pitch	A	B	BI	B2	B3	C	D	E Min	E Max	F	G	H	I	L	M	R	Weight kg.
ASGE1 - 3/8"	94000901N	94000902N	94000903N	280	3/8"x7/32"	50	23	20	20	25	61	74	114	138	6,5	10,5	70 ^{±0,3}	20	12,5	22	42	0,24
ASGE1 - 1/2"	94001201N	94001202N	94001203N	280	1/2"x5/16"	50	23	20	20	35	61	74	114	138	6,5	10,5	70 ^{±0,3}	20	12,5	22	42	0,24
ASGE1 - 5/8"	94001501N	94001502N	94001503N	280	5/8"x3/8"	50	23	20	25	40	61	74	114	138	6,5	10,5	70 ^{±0,3}	20	12,5	22	42	0,24
ASGE2 - 5/8"	94001511N	94001512N	94001513N	460	5/8"x3/8"	67	28	20	25	40	73	87	138	170	7	12,5	90 ^{±0,3}	25	15	25,5	54	0,44
ASGE2 - 3/4"	94001911N	94001912N	94001913N	460	3/4"x7/16"	67	28	20	30	49	73	87	138	170	7	12,5	90 ^{±0,3}	25	15	25,5	54	0,45
ASGE2 - 1"	94002501N	94002502N	-	460	1"x17mm	67	28	25	45	-	73	87	138	170	7	12,5	90 ^{±0,3}	25	15	25,5	54	0,46
ASGE3 - 1"	94002511N	94002512N	94002513N	690	1"x17 mm	80	32,5	25	45	78	88	104	166	202	8	14,5	110 ^{±0,3}	29,5	17,5	28,5	66	0,75
ASGE3 - 1"1/4"	94003101N	94003102N	94003103N	690	1"1/4x3/4"	80	32,5	25	54	90	88	104	166	202	8	14,5	110 ^{±0,3}	29,5	17,5	28,5	66	0,75
ASGE3-1"1/2"	94003801N	94003802N	94003803N	690	1"1/2x1"	80	32,5	25	71	119	88	104	166	202	8	14,5	110 ^{±0,3}	29,5	17,5	28,5	66	0,75
ASGE3 - 1"3/4"	94004401N	-	-	690	1"3/4x1"1/4"	80	32,5	31	-	-	88	104	166	202	8	14,5	110 ^{±0,3}	29,5	17,5	28,5	66	0,80
ASGE3 - 2"	94005001N	-	-	690	2"x1"1/4"	80	32,5	30	-	-	88	104	166	202	8	14,5	110 ^{±0,3}	29,5	17,5	28,5	66	0,80





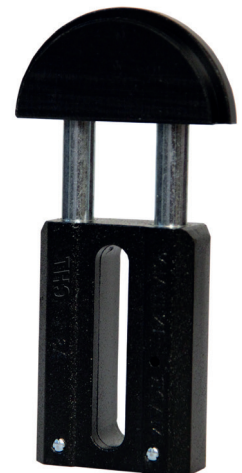
LINEAR CHAIN TENSIONER CHT - ASGO

- Tensioner AS with high molecular weight polyethylene UHMW sliding block (1.000.000)..
- Semicircular profile for 180° redirection.
- Dry standard self-lubricating bushes with PTFE.
- The force (N) is calculated through pressure tests performed in the laboratory, with a tolerance +/- 5%.
- Available with Stainless Steel springs, studs, plugs and washers.



CAD drawings available on www.chiaravalli.com
 Availability, quantity and prices on B2B Chiaravalli

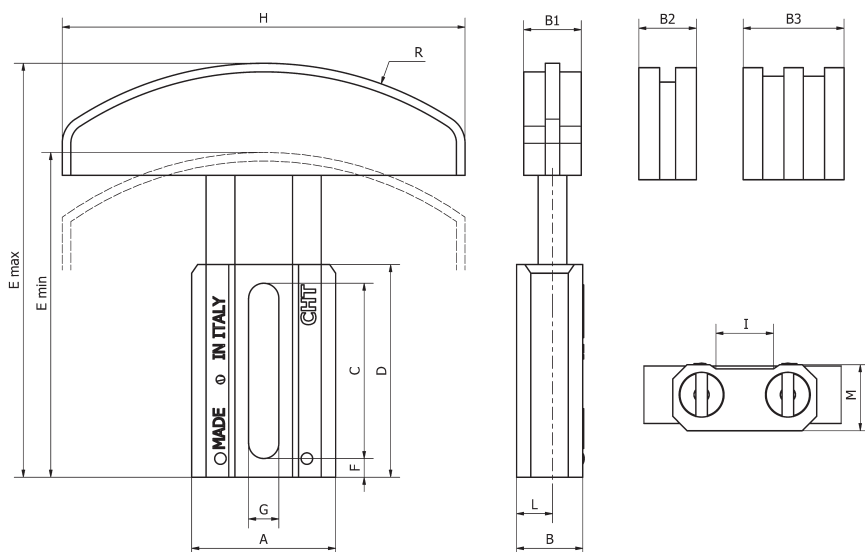
Type	Part Num. simple	Part Num. double	Part Num. triple	Newton	Chain Pitch	A	B	BI	B2	B3	C	D	E Min	E Max	F	G	H	I	L	M	R	Weight kg.
ASGO1 - 3/8"	94100901N	94100902N	94100903N	280	3/8"x7/32"	50	23	20	20	25	61	74	114	138	6,5	10,5	70	20	12,5	22	35	0,24
ASGO1 - 1/2"	94101201N	94101202N	94101203N	280	1/2"x5/16"	50	23	20	20	35	61	74	114	138	6,5	10,5	70	20	12,5	22	35	0,24
ASGO1 - 5/8"	94101501N	94101502N	94101503N	280	5/8"x3/8"	50	23	20	25	40	61	74	114	138	6,5	10,5	70	20	12,5	22	35	0,24
ASGO2 - 5/8"	94101511N	94101512N	94101513N	460	5/8"x3/8"	67	28	20	25	40	73	87	138	170	7	12,5	90	25	15	25,5	45	0,42
ASGO2 - 3/4"	94101901N	94101902N	94101903N	460	3/4"x7/16"	67	28	20	30	49	73	87	138	170	7	12,5	90	25	15	25,5	45	0,42
ASGO2 - 1"	94102501N	94102502N	94102503N	460	1"x17mm	67	28	25	45	-	73	87	138	170	7	12,5	90	25	15	25,5	45	0,42
ASGO3 - 1"	94102511N	94102512N	94102513N	690	1"x17 mm	80	32,5	25	45	78	88	104	168	202	8	14,5	110	29,5	17,5	28,5	55	0,74
ASGO3 - 1"1/4	94103101N	94103102N	94103103N	690	1"1/4x3/4"	80	32,5	25	54	90	88	104	168	202	8	14,5	110	29,5	17,5	28,5	55	0,74
ASGO3 - 1"1/2	94103101N	94103802N	94103803N	690	1"1/2x1"	80	32,5	25	71	119	88	104	168	202	8	14,5	110	29,5	17,5	28,5	55	0,74
ASGO3 - 1"3/4	94104401N	-	-	690	1"3/4x1"1/4	80	32,5	31	-	-	88	104	168	202	8	14,5	110	29,5	17,5	28,5	55	0,79
ASGO3 - 2"	94105001N	-	-	690	2"x1"1/4	80	32,5	30	-	-	88	104	168	202	8	14,5	110	29,5	17,5	28,5	55	0,79





LINEAR BELT TENSIONER CHT - ASGA

- Tensioner AS with high molecular weight polyethylene UHMW sliding block (1.000.000).
- Arched profile for long stretches of chain.
- Dry standard self-lubricating bushes with PTFE.
- The force (N) is calculated through pressure tests performed in the laboratory, with a tolerance +/- 5%.
- Available with Stainless Steel springs, studs, plugs and washers.



CAD drawings available on www.chiaravalli.com
Availability, quantity and prices on B2B Chiaravalli

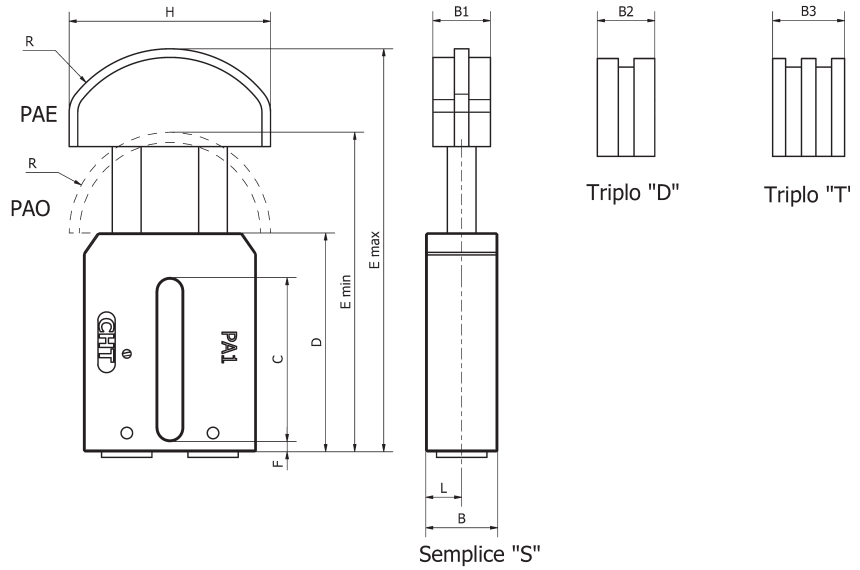
Type	Part Num. single	Part Num. double	Part Num. triple	Newton	Chain pitch	A	B	BI	B2	B3	C	D	E Min	E Max	F	G	H	I	L	M	R	Weight kg.
ASGA1 - 3/8"	94200901N	94200902N	94200903N	280	3/8"x7/32"	50	23	20	20	25	61	74	119	143	6,5	10,5	140	20	12,5	22	120	0,26
ASGA1 - 1/2"	94201201N	94201202N	94201203N	280	1/2"x5/16"	50	23	20	20	35	61	74	119	143	6,5	10,5	140	20	12,5	22	120	0,26
ASGA1 - 5/8"	94201501N	94201502N	94201503N	280	5/8"x3/8"	50	23	20	25	40	61	74	119	143	6,5	10,5	140	20	12,5	22	120	0,26
ASGA2 - 5/8"	94201511N	94201512N	94201513N	460	5/8"x3/8"	67	28	20	25	40	73	87	132	164	7	12,5	140	25	15	25,5	140	0,48
ASGA2 - 3/4"	94201901N	94201902N	94201903N	460	3/4"x7/16"	67	28	20	30	49	73	87	132	164	7	12,5	140	25	15	25,5	140	0,50
ASGA3 - 1"	94202511N	94202512N	94202513N	690	1"x17 mm	80	32,5	25	45	78	88	104	152	187	8	14,5	140	29,5	17,5	28,5	160	0,74
ASGA3 - 1"1/4	94203101N	94203102N	94203103N	690	1"1/4x3/4"	80	32,5	25	54	90	88	104	152	187	8	14,5	140	29,5	17,5	28,5	160	0,74
ASGA3 - 1"1/2	94203801N	94203802N	94203803N	690	1"1/2x1"	80	32,5	25	71	119	88	104	152	187	8	14,5	140	29,5	17,5	28,5	160	0,74
ASGA3 - 1"3/4	94204401N	-	-	690	1"3/4x1"1/4	80	32,5	31	-	-	88	104	152	187	8	14,5	140	29,5	17,5	28,5	160	0,79
ASGA3 - 2"	94205001N	-	-	690	2"x1"1/4	80	32,5	30	-	-	88	104	152	187	8	14,5	140	29,5	17,5	28,5	160	0,79





LINEAR CHAIN TENSIONER IN POLYAMIDE CHT - PAE - PAO

- Base structure made of polyamide 66 FV 50.
- Available with Stainless Steel springs, studs, plugs and washers.
- CHT-PA tensioner element with a high-density polyethylene slider block set up on the pins of the base structure.



CAD drawings available on www.chiaravalli.com
Availability, quantity and prices on B2B Chiaravalli

Type	Part Num. simple	Part Num. double	Part Num. triple	Newton	Chain pitch	A	B	C	D	E	E Min	F	G	H	L	B1	B2	B3	R	Weight kg.
PAE 1	94PAE138S	94PAE138D	94PAE138T	210	3/8"	60	25	56	76	140	110	4	8,5	70	12,5	20	20	25	42	0,21
PAO 1	94PAO138S	94PAO138D	94PAO138T	210	3/8"	60	25	56	76	140	110	4	8,5	70	12,5	20	20	25	35	0,21
PAE 1	94PAE112S	94PAE112D	94PAE112T	210	1/2"	60	25	56	76	140	110	4	8,5	70	12,5	20	20	35	42	0,21
PAO 1	94PAO112S	94PAO112D	94PAO112T	210	1/2"	60	25	56	76	140	110	4	8,5	70	12,5	20	20	35	35	0,21
PAE 1	94PAE158S	94PAE158D	94PAE158T	210	5/8"	60	25	56	76	140	110	4	8,5	70	12,5	20	25	40	50	0,21
PAO 1	94PAO158S	94PAO158D	94PAO158T	210	5/8"	60	25	56	76	140	110	4	8,5	70	12,5	20	25	40	35	0,21





ROTATING TENSIONERS BRAND CHT®

ROTATING TENSIONERS BRAND CHT®



159



Ø78,18



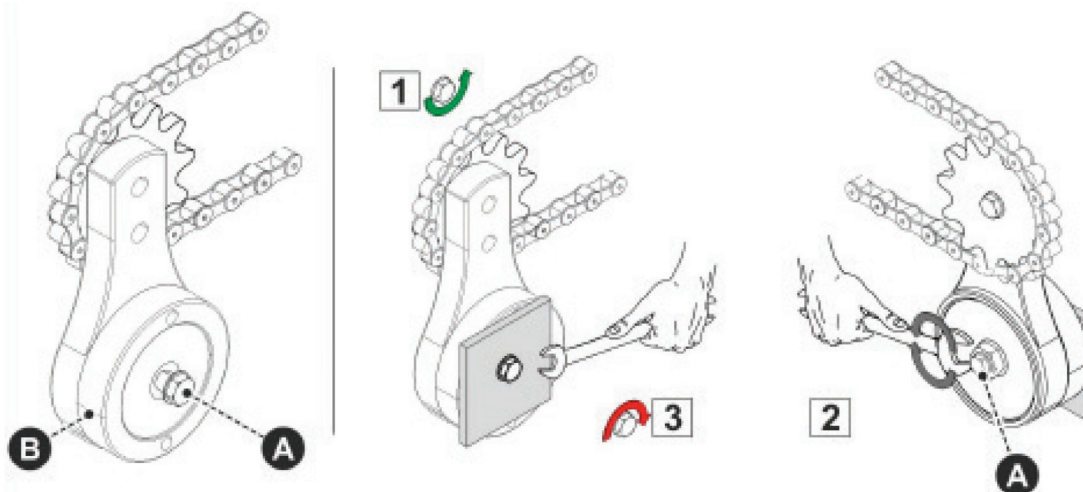
ROTATING TENSIONERS TYPE CHT - T

TYPE T

- 1) Loosen the fixing screw "A" slightly, which can be fastened from both sides.
- 2) Rotate the tensioner "B" in the desired direction using a 24 wrench, placed on the central hexagon.
- 3) Lock the screw "A".

NOTE

In case of irregular surfaces or heavy-duty applications, it is recommended to use an anti-rotation pin, using one of the two slots on the back of the tensioner base.





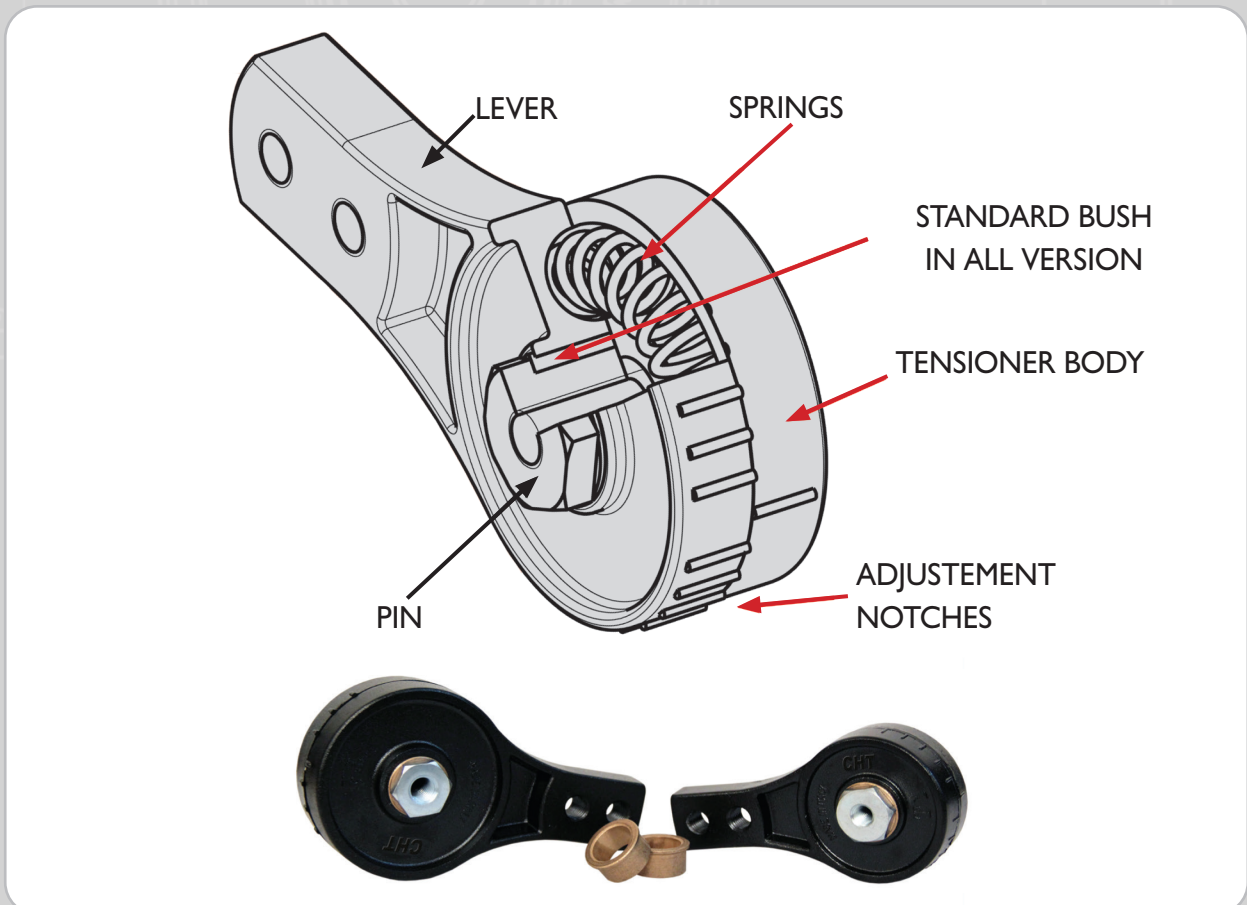
ROTATING TENSIONER TYPE CHT - T

The CHT-T series of automatic tensioners and their respective variants (found on the following pages) maintain constant tension on the chains or belts by radially recovering their elongation through multiple compression springs inserted inside the tensioner body. The two structural parts of the body are made of high-strength die-cast aluminum, painted black using the cathaphoresis coating process.

The standard sintered bronze self-lubricating bushing on all sizes and versions provides a perfectly smooth seat for the lever's movement on the central pin without any wear points. Multiple compression carefully wound springs made of steel alloy elements provide constant tension, and the springs are lubricated with grease to ensure durability and quiet operations.

Simple installation is achieved through a single screw that can be mounted from both sides. Adjustment notches on the base body allow for easy and fast tension adjustment. There are two blind holes for preloading on the mounting surface of the base body.

The lever features two fixing holes for accessories allows for a wide choice of tension.

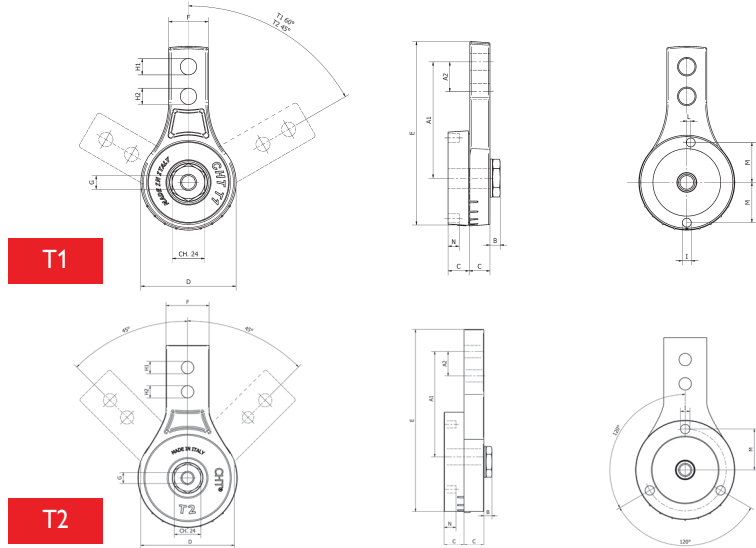




ROTATING TENSIONER CHT - T

- Tensioner T with two holes for accessory fastening.
- Standard sintered bronze self-lubricating bushing.
- Available version with Stainless Steel pin and springs.

CAD drawings available on www.chiaravalli.com
 Availability, quantity and prices on B2B Chiaravalli



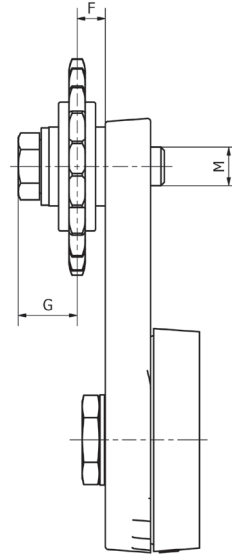
Type	Part Num. simple	Newton H1	Newton H2	A1	A2	B	C	D	E	F	G	H1	H2	I	L	M	N	Weight kg.
T1 8.5	94030108N	180	250	86	22	7	15	70	135	30	M10	8,5	8,5	6	3	29,5	8	0,36
T1 10	94030110N	180	250	86	22	7	15	70	135	30	M10	M10	M10	6	3	29,5	8	0,36
T1 10.5	94030111N	180	250	86	22	7	15	70	135	30	M10	10,5	10,5	6	3	29,5	8	0,36
T1 12	94030112N	180	250	86	22	7	15	70	135	30	M10	M12	M12	6	3	29,5	8	0,34
T1 16	94030116N	180	250	86	22	7	15	70	135	30	M10	M16	M16	6	3	29,5	8	0,30
T2 8.5	94030208N	340	440	100	22	7	18	90	160	39	M12	8,5	8,5	8	-	37,5	10	0,62
T2 10.5	94030211N	340	440	100	22	7	18	90	160	39	M12	10,5	10,5	8	-	37,5	10	0,62
T2 12	94030212N	340	440	100	22	7	18	90	160	39	M12	M12	M12	8	-	37,5	10	0,62
T2 16	94030216N	340	440	100	22	7	18	90	160	39	M12	M16	M16	8	-	37,5	10	0,60
T2 20	94030220N	340	440	100	22	7	18	90	160	39	M12	M20	M20	8	-	37,5	10	0,58





ROTATING CHAIN TENSIONERS CHT - TTN

- Tensioner T with two holes for accessory fastening.
- Standard sintered bronze self-lubricating bushing.
- Available version with Stainless Steel pin and springs.



CAD drawings available on www.chiaravalli.com
Availability, quantity and prices on B2B Chiaravalli

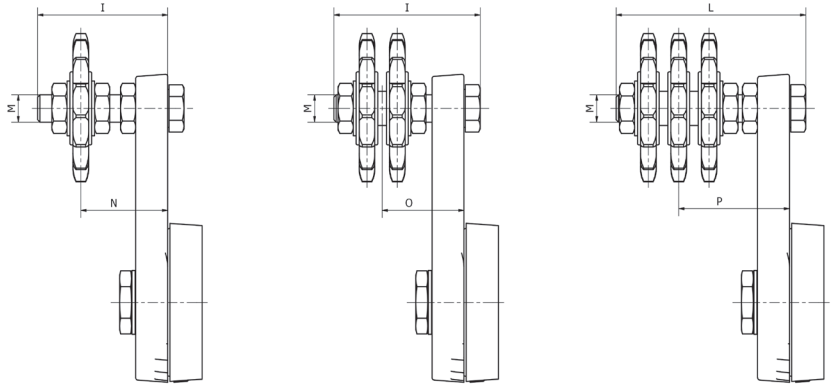
Type	Part Num single	Chain pitch	Newton H1	Newton H2	Z Teeth	F	G	M	Weight kg.
TTN1-3/8	94030921	3/8" x 7/32"	180	250	21	9,2	19,2	M12	0,55
TTN1 -1/2	94031216	1/2" x 5/16"	180	250	16	9,2	19,2	M12	0,57
TTN1-5/8	94031517	5/8" x 3/8"	180	250	17	9,2	19,2	M12	0,76
TTN2 -5/8	94031918	5/8" x 3/8"	340	440	17	9,2	19,2	M12	1,04
TTN2 -3/4	94031915	3/4" x 7/16"	340	440	15	9,2	19,2	M12	1,15
TTN2-1	94032512	1" x 17mm	340	440	12	8,9	19	M12	1,45





ROTATING CHAIN TENSIONER CHT - TR

- Tensioner T with chain tensioner sprocket R (single, double, triple).
- Standard sintered bronze self-lubricating bushing.
- Available version with Stainless Steel pin and springs.



CAD drawings available on www.chiaravalli.com
 Availability, quantity and prices on B2B Chiaravalli

Type	Part Num. single	Part Num. double	Part Num. triple	Chain pitch	Newton H1	Newton H2	Z Teeth	I	L	M	N	O	P	Weight kg.
TR1-3/8	94030901	94030902	94030903	3/8"x 7/32"	180	250	15	60	80	M10	40-63	48-57	53-72	0,50
TR1 -1/2	94031201	94031202	94031203	1/2"x 5/16"	180	250	15	60	80	M12	40-63	50-55	57-68	0,55
TR1-5/8	94031501	94031502	94031503	5/8"x 3/8"	180	250	15	80	80	M12	40-80	54-71	60-65	0,70
TR2 -5/8	94031511	94031512	94031513	5/8"x 3/8"	340	440	15	80	80	M12	46-84	59-82	68-84	0,97
TR2 -3/4	94031901	94031902	94031903	3/4"x 7/16"	340	440	15	80	100	M12	48-84	59-82	68-84	1,25
TR2-1	94032501	94032502	-	1"x 17mm	340	440	12	100	-	M12	51-98	65-98	-	1,55



DOPPIO



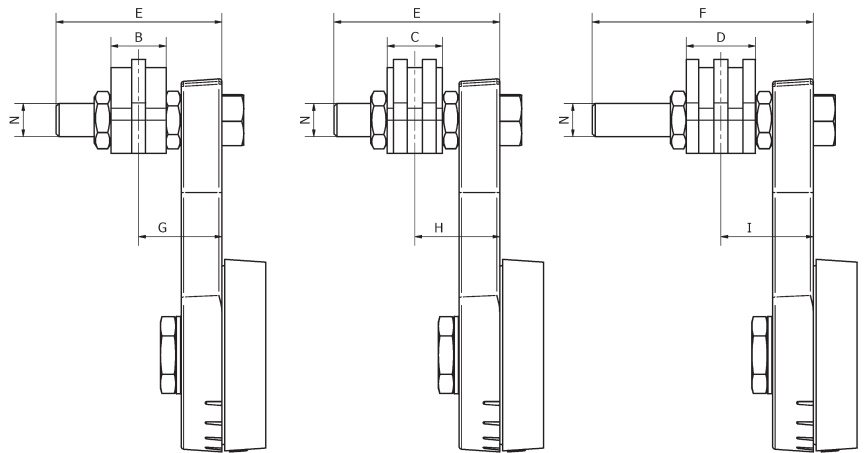
TRIPLO





ROTATING CHAIN TENSIONER CHT - TGE

- Rotating chain tensioner CHT- TGE
- Tensioner AS with high molecular weight polyethylene UHMW sliding block (1.000.000).
- Provided with a bushing kit that allows free movement of the slider .
- Standard sintered bronze self-lubricating bushes.
- Available version with Stainless Steel pin and springs



CAD drawings available on www.chiaravalli.com
 Availability, quantity and prices on B2B Chiaravalli

CHT - TGE

Type	Part Num single	Part Num double	Part Num triple	Chain pitch	Newton H1	Newton H2	A	B	C	D	E	F	G	H	I	N kg.	Weight kg.
TGE1-3/8	94030901P	94030902P	94030903P	3/8"x 7/32"	180	250	68 ^{+0.2}	20	20	25	60	80	40-58	40-58	43-75	M12	0,47
TGE1-1/2	94031201P	94031202P	94031203P	1/2"x5/16"	180	250	68 ^{+0.2}	20	20	35	60	80	40-58	40-58	48-70	M12	0,47
TGE1-5/8	94031501P	94031502P	94031503P	5/8"x3/8"	180	250	88 ^{+0.2}	20	25	40	80	80	40-78	43-75	50-68	M12	0,47
TGE2-5/8	94031511P	94031512P	94031513P	5/8"x3/8"	340	440	88 ^{+0.2}	20	25	40	80	80	46-81	49-78	57-90	M12	0,76
TGE2-3/4	94031901P	94031902P	94031903P	3/4"x7/16"	340	440	108 ^{+0.2}	20	30	49	80	100	46-81	51-76	61-86	M12	0,76
TGE2-1	94032501P	94032502P	94032503P	1"x17mm	340	440	108 ^{+0.2}	25	45	-	100	-	46-100	59-88	-	M12	0,76

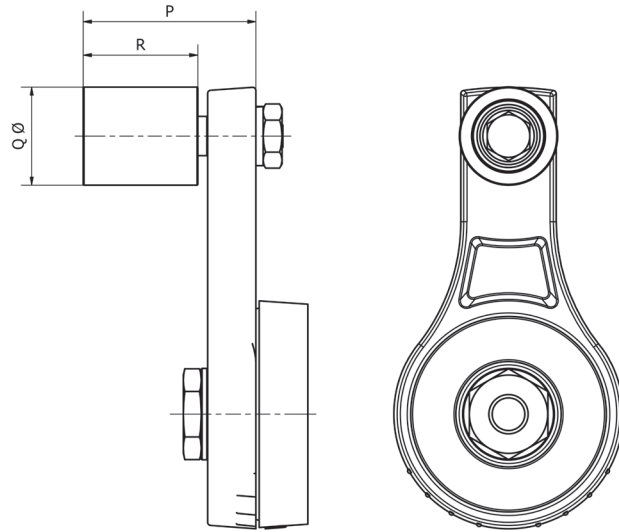
For more information refer to page 38





ROTATING BELT TENSIONER CHT - TRU

- Rotating belt tensioner CHT-TRU.
- Tensioners T with belt tensioner roller RU.
- Standard sintered bronze self-lubricating bushes.
- Available version with Stainless Steel pin and springs



CAD drawings available on www.chiaravalli.com
Availability, quantity and prices on B2B Chiaravalli

Type	Part Num Stainless	Part Num Aluminium	Part Num Polyamide	Newton H1	Newton H2	P	Q Ø	R	Weight kg. Stainless	Weight kg. Aluminium	Weight kg. Polyamide
TRU1 - 3035	94031235	94031035	94031135	180	250	53	30	35	0,51	0,45	0,43
TRU1 - 4045	94031245	94031045	94031145	180	250	66	40	45	0,70	0,57	0,53
TRU1 - 5050	94031250	94031050	94031150	180	250	67	50	50	0,97	0,65	0,59
TRU2 - 5050	94032250	94032050	94032150	340	440	70	50	50	1,22	0,90	0,84
TRU2 - 6060	94032260	94032060	94032160	340	440	80	60	60	1,69	1,06	0,94





ROTATING TENSIONERS BRAND CHT®

ROTATING TENSIONERS SERIE CHT - T



159

Ø78,18

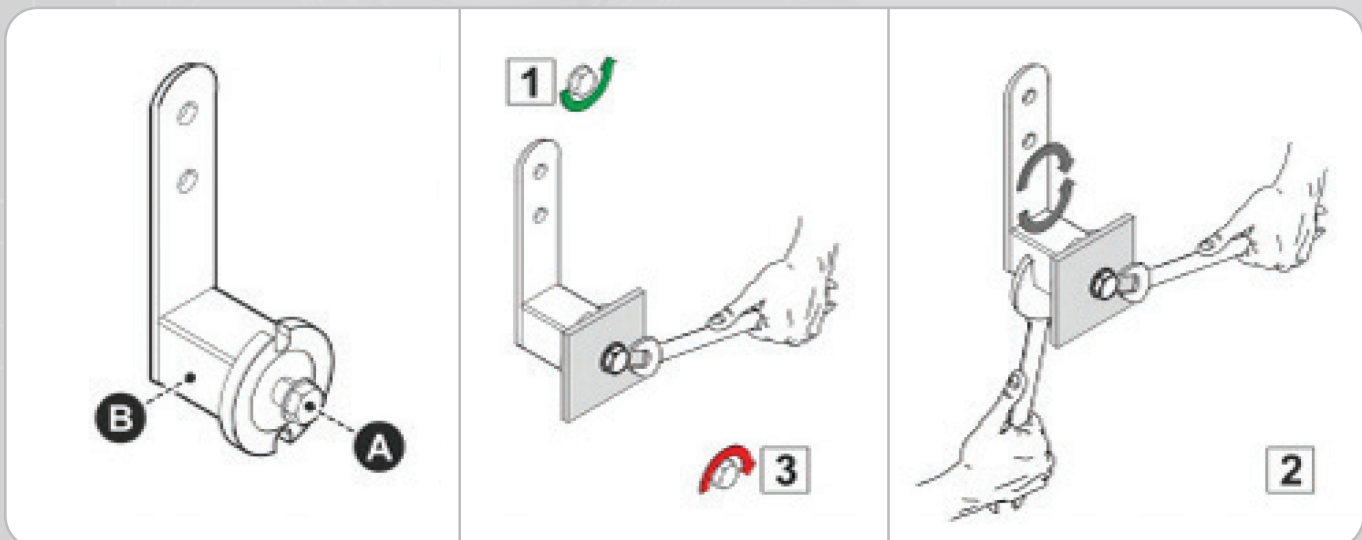


ASSEMBLY INSTRUCTIONS TYPE E

- 1) Loosen the fixing screw "A" slightly.
- 2) Rotate the tensioner "B" in the desired direction using a second wrench located on the frame of the base body.
- 3) Lock the screw "A".

NOTE

In case of irregular surfaces or heavy-duty applications, it is recommended to use an anti-rotation pin, using one of the two slots on the base of the tensioner.



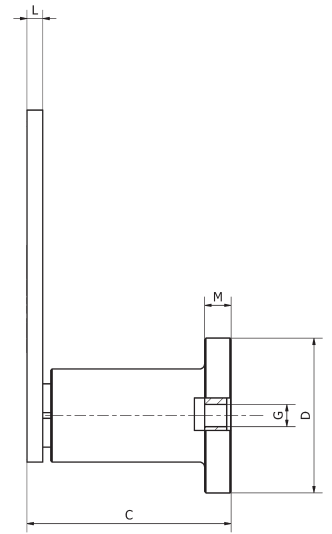
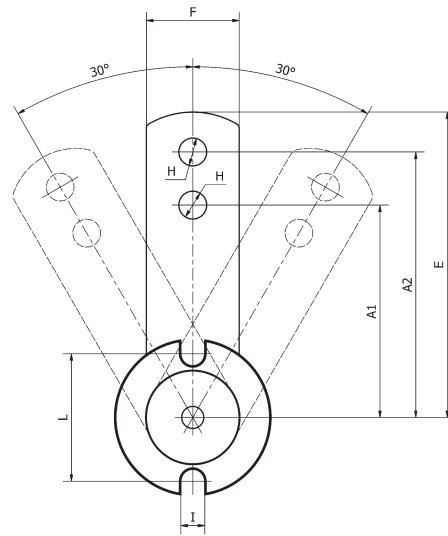


ROTATING TENSIONER CHT - E

- Tensioner E with two holes for accessory fastening
- Rubber elastic elements.
- Supplied with assembly bolt.

- FRONT MOUNTED VERSION AVAILABLE UPON REQUEST

CAD drawings available on www.chiaravalli.com
Availability, quantity and prices on B2B Chiaravalli



Type	Part Num	Newton A2	Newton A1	A1	A2	B	C	D Ø	E	F	G	H	I	L	M	Weight kg.
E1	94070001	0 - 90	0 - 110	60	80	5	50	35	90	25	M6	8,5	7	31	6	0,18
E2	94070002	0 - 130	0 - 160	80	100	5	63	45	112,5	30	M8	10,5	9	41	8	0,35
E3	94070003	0 - 330	0 - 410	80	100	6	77	59	115	35	M10	10,5	9	48	10	0,60
E4	94070004	0 - 800	0 - 1000	100	130	8	107	79	155	50	M12	12,5	11	63	15	1,90
E5	94070005	0 - 1500	0 - 1850	140	175	10	139	98	205	60	M16	20,5	13	84	15	3,80
E6	94070006	0 - 2500	0 - 3100	180	225	12	199	118	260	70	M20	20,5	13	100	18	6,50
E7	94070007	0 - 3800	0 - 4800	200	250	20	210	128	290	80	M24	20,5	17	107	20	9,00



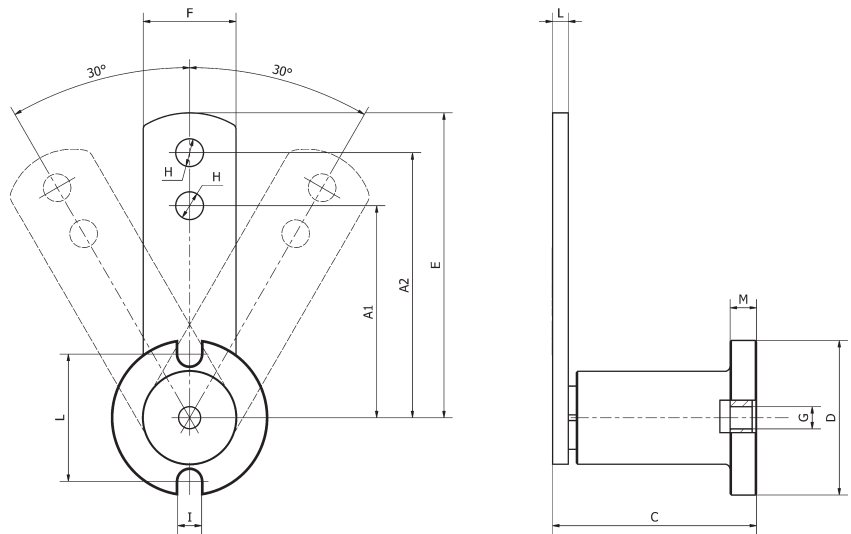


ROTATING TENSIONER CHT - E FRONT-MOUNTED

- Tensioners E with the holes for accessory fastening
- Rubber elastic elements.
- Supplied with assembly bolt.

- FRONT MOUNTED VERSION AVAILABLE UPON REQUEST

CAD drawings available on www.chiaravalli.com
Availability, quantity and prices on B2B Chiaravalli



Type	Part Num	Newton A2	Newton A1	A1	A2	B	C	D Ø	E	F	G	H	I	L	M	Weight kg.
E1	94070001MF	0 - 90	0 - 110	60	80	5	50	35	90	20	M5	8,5	7	31	6	0,18
E2	94070002MF	0 - 130	0 - 160	80	100	5	63	45	112,5	30	M6	10,5	9	41	8	0,35
E3	94070003MF	0 - 330	0 - 410	80	100	6	77	59	115	35	M8	10,5	9	48	10	0,60
E4	94070004MF	0 - 800	0 - 1000	100	130	8	107	79	155	50	M10	12,5	11	63	15	1,90
E5	94070005MF	0 - 1500	0 - 1850	140	175	10	139	98	205	60	M12	20,5	13	84	15	3,80
E6	94070006MF	0 - 2500	0 - 3100	180	225	12	199	118	260	70	M16	20,5	13	100	18	6,50
E7	94070007MF	0 - 3800	0 - 4800	200	250	20	210	128	290	80	M20	20,5	17	117	20	9,00



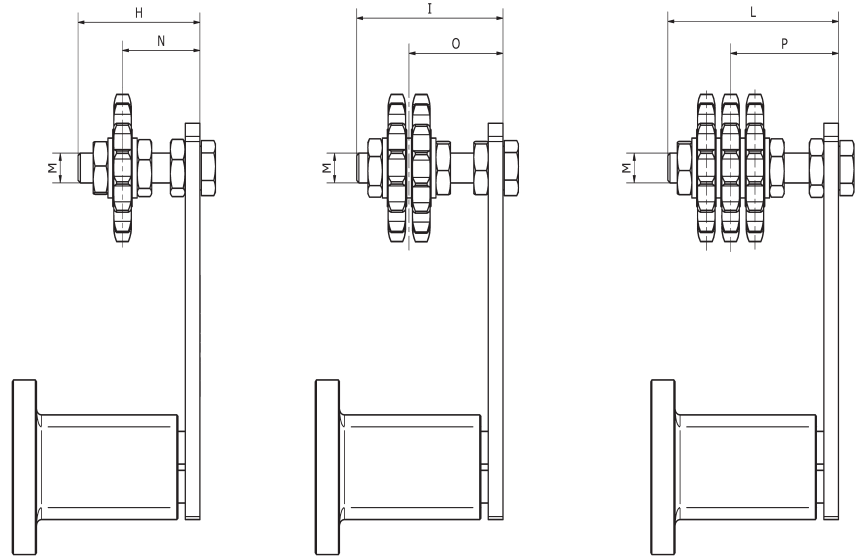


ROTATING TENSIONER CHT - ER

- Tensioner E with chain tensioner sprocket R (simple, double or triple).
- Rubber elastic elements.
- Supplied with assembly bolt.

FRONT MOUNTED VERSION AVAILABLE UPON REQUEST

CAD drawings available on www.chiaravalli.com
Availability, quantity and prices on B2B Chiaravalli



Type	Part Num simple	Part Num double	Part Num triple	Chain pitch	Teeth	Newton A2	Newton A1	H	I	L	M	N	O	P	Weight kg.
ER 2 - 3/8"	94070921	94070922	-	3/8x7/32"	Z15	0-130	0-160	55	55	-	M10	22-43	27-39	-	0,48
ER 3 - 3/8"	94070931	94070932	94070933	3/8x7/32"	Z15	0-330	0-410	55	60	70	M10	23-43	28-39	33-48	0,73
ER 3 - 1/2"	94071231	94071232	-	1/2"x5/16"	Z15	0-330	0-410	55	60	-	M10	23-44	30-37	-	0,81
ER 4 - 1/2"	-	-	94071243	1/2"x5/16"	-	0-800	0-1000	-	-	80	M12	-	-	41-51	2,50
ER 4 - 5/8"	94071541	94071542	94071543	5/8"x3/8"	Z15	0-800	0-1000	80	80	80	M12	27-65	36-57	43-50	2,28
ER 4 - 3/4"	94071941	94071942	-	3/4"x7/16"	Z15	0-800	0-1000	80	80	-	M12	27-65	37-56	-	2,46
ER 5 - 5/8"	-	-	94071553	5/8"x3/8"	-	0-1500	0-1850	-	-	120	M20	-	-	56-84	5,00
ER 5 - 3/4"	94071951	94071952	94071953	3/4"x7/16"	Z15	0-1500	0-1850	100	120	120	M20	40-80	50-90	59-80	4,61
ER 5 - 1"	94072551	94072552	-	1"x17 mm	Z12	0-1500	0-1850	100	120	-	M20	40-80	55-84	-	5,43
ER 6 - 1"	-	-	94072563	1"x17 mm	-	0-2500	0-3100	-	-	160	M20	-	-	74-108	9,50
ER 6 - 1 1/4"	94073161	94073162	94073163	1"1/4x3/4"	Z13	0-2500	0-3100	100	140	160	M20	40-80	60-120	78-105	9,28
ER 6 - 1 1/2"	94073861	94073862	94073863	1"1/2x1"	Z11	0-2500	0-3100	140	140	180	M20	40-120	65-97	90-111	9,33
ER 7 - 1"	-	-	94072573	1"x17 mm	Z12	0-3800	0-4800	-	-	-	-	-	-	-	12
ER 7 - 1 1/4"	94071141	94071142	94071143	1"1/4x3/4"	Z13	0-3800	0-4800	-	-	-	-	-	-	-	12
ER 7 - 1 1/2"	94071121	94071122	94071123	1"1/2x1"	Z11	0-3800	0-4800	-	-	-	-	-	-	-	12



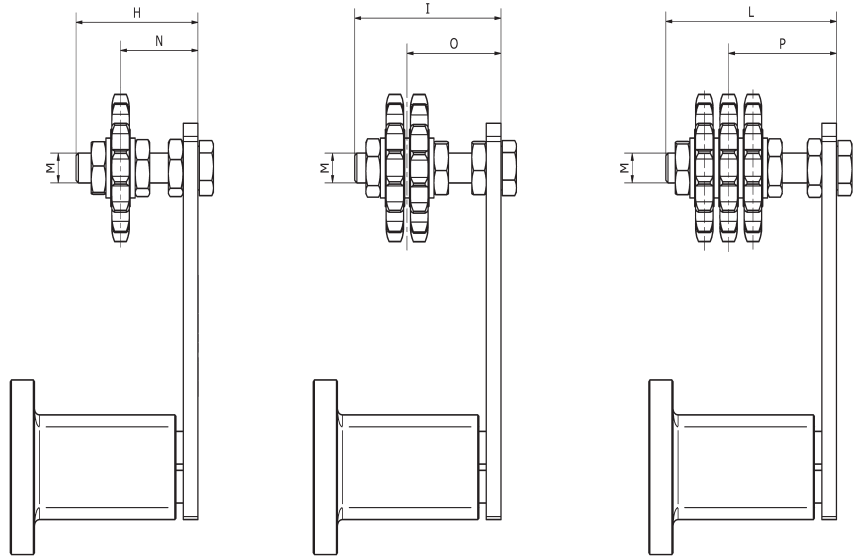


ROTATING TENSIONER CHT - ER FRONT-MOUNTED

- Tensioner E with chain tensioner sprocket R (simple, double or triple).
- Rubber elastic elements.
- Supplied with assembly bolt.

FRONT MOUNTED VERSION AVAILABLE UPON REQUEST

CAD drawings available on www.chiaravalli.com
Availability, quantity and prices on B2B Chiaravalli



Type	Part Num simple	Part Num double	Part Num triple	Chain pitch	Teeth	Newton A2	Newton A1	H	I	L	M	N	O	P	Weight kg.
ER 2 - 3/8"	94070921MF	94070922MF	-	3/8x7/32"	Z15	0-130	0-160	55	55	-	M10	22-43	27-39	-	0,48
ER 3 - 3/8"	94070931MF	94070932MF	94070933MF	3/8x7/32"	Z15	0-330	0-410	55	60	70	M10	23-43	28-39	33-48	0,73
ER 3 - 1/2"	94071231MF	94071232MF	-	1/2"x5/16"	Z15	0-330	0-410	55	60	-	M10	23-44	30-37	-	0,81
ER 4 - 1/2"	-	-	94071243MF	1/2"x5/16"	-	0-800	0-1000	-	-	80	M12	-	-	41-51	2,50
ER 4 - 5/8"	94071541MF	94071542MF	94071543MF	5/8"x3/8"	Z15	0-800	0-1000	80	80	80	M12	27-65	36-57	43-50	2,28
ER 4 - 3/4"	94071941MF	94071942MF	-	3/4"x7/16"	Z15	0-800	0-1000	80	80	-	M12	27-65	37-56	-	2,46
ER 5 - 5/8"	-	-	94071553MF	5/8"x3/8"	-	0-1500	0-1850	-	-	120	M20	-	-	56-84	5,00
ER 5 - 3/4"	94071951MF	94071952MF	94071953MF	3/4"x7/16"	Z15	0-1500	0-1850	100	120	120	M20	40-80	50-90	59-80	4,61
ER 5 - 1"	94072551MF	94072552MF	-	1"x17 mm	Z12	0-1500	0-1850	100	120	-	M20	40-80	55-84	-	5,43
ER 6 - 1"	-	-	94072563MF	1"x17 mm	-	0-2500	0-3100	-	-	160	M20	-	-	74-108	9,50
ER 6 - 1 1/4"	94073161MF	94073162MF	94073163MF	1"1/4x3/4"	Z13	0-2500	0-3100	100	140	160	M20	40-80	60-120	78-105	9,28
ER 6 - 1 1/2"	94073161MF	94073862MF	94073863MF	1"1/2x1"	Z11	0-2500	0-3100	140	140	180	M20	40-120	65-97	90-111	9,33
ER 7 - 1"	-	-	94072573MF	1"x17 mm	Z12	0-3800	0-4800	-	-	-	-	-	-	-	12
ER 7 - 1 1/4"	94071141MF	94071142MF	94071143MF	1"1/4x3/4"	Z13	0-3800	0-4800	-	-	-	-	-	-	-	12
ER 7 - 1 1/2"	94071121MF	94071122MF	94071123MF	1"1/2x1"	Z11	0-3800	0-4800	-	-	-	-	-	-	-	12



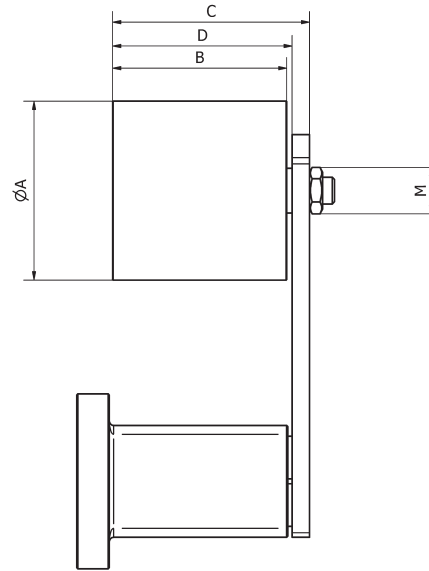


ROTATING BELT TENSIONER CHT - ERU

- Tensioner E with belt tensioner roller RU (simple, double or triple).
- Rubber elastic elements.
- Supplied with assembly bolt.

FRONT MOUNTED VERSION AVAILABLE UPON REQUEST

CAD drawings available on www.chiaravalli.com
Availability, quantity and prices on B2B Chiaravalli



Type	Part Num Steel	Part Num Aluminium	Part Num Polyamide	Newton A2	Newton A1	ØA	B	C	D	M	Weight kg. Steel	Weight kg. Aluminium	Weight kg. Polyamide
ERU 1 - 3035	94073521	94073501	94073511	0-90	0-110	30	35	51	43	M8	0,33	0,27	0,25
ERU 1 - 4045	94074522	94074502	94074512	0-130	0-160	40	45	67	56	M10	0,68	0,57	0,53
ERU 2 - 5050	94075022	94075002	94075012	0-130	0-160	50	50	69	58	M12	0,95	0,64	0,58
ERU 3 - 4045	94074523	94074503	94074513	0-330	0-410	40	45	67	57	M10	0,93	0,82	0,78
ERU 3 - 5050	94075023	94075003	94075013	0-330	0-410	50	50	69	59	M12	1,20	0,89	0,83
ERU 4 - 6060	94076024	94076004	94076014	0-800	0-1000	60	60	89	76	M12	2,98	2,35	2,24
ERU 5 - 8090	94078025	94078005	94078015	0-1500	0-1850	80	90	127	109	M20	6,50	4,90	4,40
ERU 6 - 90135	94079013526	94079013506	94079016	0-2500	0-3100	90	135	169	154	M20	9,00	7,50	8,20
ERU 7 - 90135	94079013517	94079013507	94079013527	0-3800	0-4800	90	135	169	154	M20	12,00	11,00	10,70



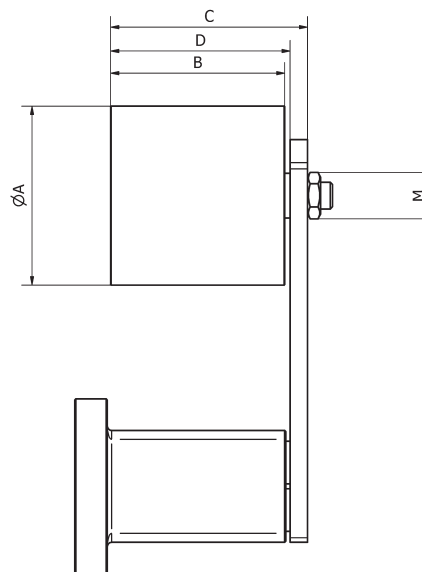


ROTATING BELT TENSIONER CHT - ERU FRONT-MOUNTED

- Tensioner E with belt tensioner roller RU (simple, double or triple).
- Rubber elastic elements.
- Supplied with assembly bolt.

FRONT MOUNTED VERSION AVAILABLE UPON REQUEST

CAD drawings available on www.chiaravalli.com
Availability, quantity and prices on B2B Chiaravalli



Type	Part Num Steel	Part Num Aluminium	Part Num Polyamide	Newton A2	Newton A1	AØ	B	C	D	M	Weight kg. Steel	Weight kg. Aluminium	Weight kg. Polyamide
ERU 1 - 3035	94073521MF	94073501MF	94073511MF	0-90	0-110	30	35	51	43	M8	0,33	0,27	0,25
ERU 1 - 4045	94074522MF	94074502MF	94074512MF	0-130	0-160	40	45	67	56	M10	0,68	0,57	0,53
ERU 2 - 5050	94075022MF	94075002MF	94075012MF	0-130	0-160	50	50	69	58	M12	0,95	0,64	0,58
ERU 3 - 4045	94074523MF	94074503MF	94074513MF	0-330	0-410	40	45	67	57	M10	0,93	0,82	0,78
ERU 3 - 5050	94075023MF	94075003MF	94075013MF	0-330	0-410	50	50	69	59	M12	1,20	0,89	0,83
ERU 4 - 6060	94076024MF	94076004MF	94076014MF	0-800	0-1000	60	60	89	76	M12	2,98	2,35	2,24
ERU 5 - 8090	94078025MF	94078005MF	94078015MF	0-1500	0-1850	80	90	127	109	M20	6,50	4,90	4,40
ERU 6 - 90135	94079013526MF	94079013506MF	94079016MF	0-2500	0-3100	90	135	169	154	M20	9,00	7,50	8,20
ERU 7 - 90135	94079013517MF	94079013507MF	94079013527MF	0-3800	0-4800	90	135	169	154	M20	12,00	11,00	10,70

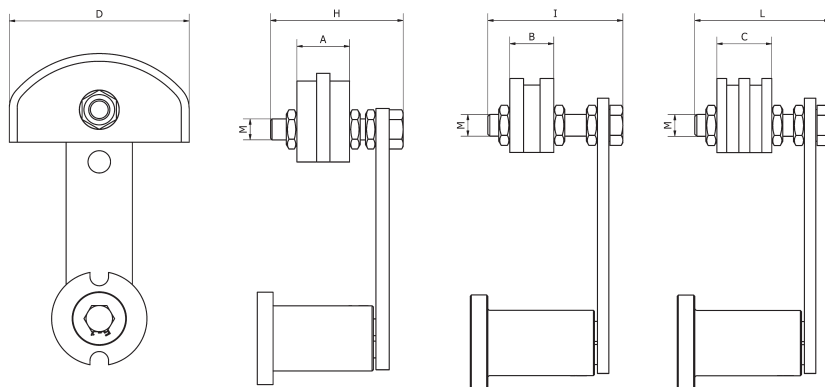




ROTATING CHAIN TENSIONER CHT - EGE

- Tensioner E with high molecular weight (1,000,000) UHMW polyethylene chain tensioner sliding block.
- Provided with a bushing kit that allows free movement of the sliding.
- Rubber elastic elements.
- Also available with GA and GO shoes, sizes indicated on page 38.
- Supplied with assembly bolt.

FRONT MOUNTED VERSION AVAILABLE UPON REQUEST



CAD drawings available on www.chiaravalli.com
Availability, quantity and prices on B2B Chiaravalli

Type	Part Num simple	Part Num double	Part Num triple	Chain pitch	Newton A2	Newton A1	A	B	C	D	H	I	L	M	Weight kg.
EGE 1 - 3/8	94070901	94070902	-	3/8" x 7/32"	0-90	0-110	20	20	-	68 ^{+0.2} _{-0.2}	45	45	-	M8	0,30
EGE 2 - 3/8	-	-	94070903	3/8" x 7/32"	0-130	0-160	-	-	25	68 ^{+0.2} _{-0.2}	-	-	45	M10	0,50
EGE 2 - 1/2	94071201	94071202	-	1/2" x 5/16"	0-130	0-160	20	20	-	68 ^{+0.2} _{-0.2}	55	55	-	M10	0,50
EGE 3 - 1/2	94071211	94071212	94071213	1/2" x 5/16"	0-330	0-410	20	20	35	68 ^{+0.2} _{-0.2}	55	60	70	M10	0,75
EGE 3 - 5/8	94071501	94071502	-	5/8" x 3/8"	0-330	0-410	20	25	-	88 ^{+0.2} _{-0.2}	55	70	-	M10	0,78
EGE 3 - 3/4	94071901	94071902	-	3/4" x 7/16"	0-330	0-410	20	30	-	88 ^{+0.2} _{-0.2}	60	70	-	M10	0,80
EGE 4 - 5/8	-	-	94071503	5/8" x 3/8"	0-800	0-1000	-	-	40	88 ^{+0.2} _{-0.2}	-	-	100	M12	2,10
EGE 4 - 3/4	94071911	94071912	94071913	3/4" x 7/16"	0-800	0-1000	20	30	49	88 ^{+0.2} _{-0.2}	80	80	100	M12	2,10
EGE 4 - 1	94072501	94072502	94072503	1" x 17 mm	0-800	0-1000	20	45	78	108 ^{+0.2} _{-0.2}	80	90	100	M12	2,20
EGE 5 - 1	-	94072512	94072513	1" x 17 mm	0-1500	0-1850	-	45	78	108 ^{+0.2} _{-0.2}	-	100	120	M20	4,00
EGE 5 - 1 1/4	94073101	94073102	94073103	1 1/4" x 3/4"	0-1500	0-1850	20	54	90	108 ^{+0.2} _{-0.2}	100	120	130	M20	4,20
EGE 5 - 1 1/2	94073801	94073802	94073803	1 1/2" x 1"	0-1500	0-1850	20	71	119	108 ^{+0.2} _{-0.2}	100	120	130	M20	4,20



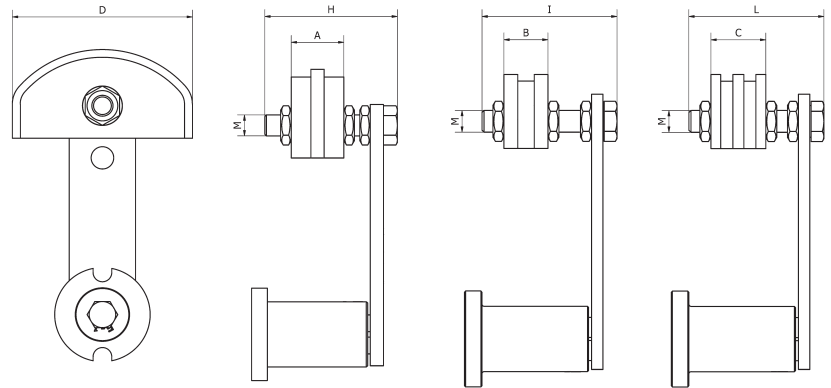


ROTATING CHAIN TENSIONER CHT - EGE FRONT-MOUNTED

- Tensioner E with high molecular weight (1,000,000) UHMW polyethylene chain tensioner sliding.
- Provided with a bushing kit that allows free movement of the slider.
- Rubber elastic elements.
- Also available with GA and GO shoes, sizes indicated on page 38.
- Supplied with assembly bolt.

FRONT MOUNTED VERSION AVAILABLE UPON REQUEST

CAD drawings available on www.chiaravalli.com
Availability, quantity and prices on B2B Chiaravalli



Type	Part Num simple	Part Num double	Part Num triple	Chain pitch	Newton A2	Newton A1	A	B	C	D	H	I	L	M	Weight kg.
EGE 1 - 3/8	94070901MF	94070902MF	-	3/8 x 7/32"	0-110	0-110	20	20	-	68 ^{+0.2} _{-0.2}	45	45	-	M8	0,30
EGE 2 - 3/8	-	-	94070903MF	3/8 x 7/32"	0-160	0-160	-	-	25	68 ^{+0.2} _{-0.2}	-	-	45	M10	0,50
EGE 2 - 1/2	94071201MF	94071202MF	-	1/2" x 5/16"	0-160	0-160	20	20	-	68 ^{+0.2} _{-0.2}	55	55	-	M10	0,50
EGE 3 - 1/2	94071211MF	94071212MF	94071213MF	1/2" x 5/16"	0-410	0-410	20	20	35	68 ^{+0.2} _{-0.2}	55	60	70	M10	0,75
EGE 3 - 5/8	94071501MF	94071502MF	-	5/8" x 3/8"	0-410	0-410	20	25	-	88 ^{+0.2} _{-0.2}	55	70	-	M10	0,78
EGE 3 - 3/4	94071901MF	94071902MF	-	3/4" x 7/16"	0-410	0-410	20	30	-	88 ^{+0.2} _{-0.2}	60	70	-	M10	0,80
EGE 4 - 5/8	-	-	94071503MF	5/8" x 3/8"	0-1000	0-1000	-	-	40	88 ^{+0.2} _{-0.2}	-	-	100	M12	2,10
EGE 4 - 3/4	94071911MF	94071912MF	94071913MF	3/4" x 7/16"	0-1000	0-1000	20	30	49	88 ^{+0.2} _{-0.2}	80	80	100	M12	2,10
EGE 4 - 1	94072501MF	94072502MF	94072503MF	1" x 17 mm	0-1000	0-1000	20	45	78	108 ^{+0.2} _{-0.2}	80	90	100	M12	2,20
EGE 5 - 1	-	94072512MF	94072513MF	1" x 17 mm	0-1850	0-1850	-	45	78	108 ^{+0.2} _{-0.2}	-	100	120	M20	4,00
EGE 5 - 1 1/4	94073101MF	94073102MF	94073103MF	1"1/4 x 3/4"	0-1850	0-1850	20	54	90	108 ^{+0.2} _{-0.2}	100	120	130	M20	4,20
EGE 5 - 1 1/2	94073801MF	94073802MF	94073803MF	1"1/2 x 1"	0-1850	0-1850	20	71	119	108 ^{+0.2} _{-0.2}	100	120	130	M20	4,20

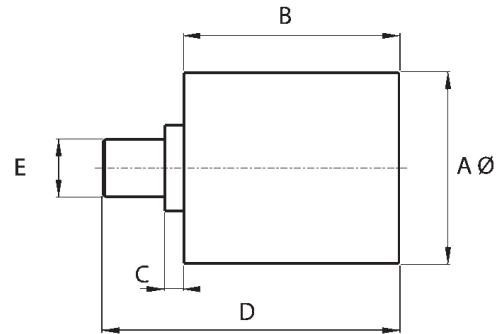




BELT TENSIONER ROLLER TYPE CHT - RU

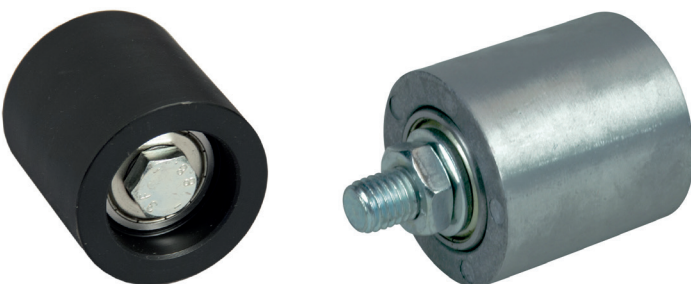
- Belt tensioner rollers provided with screws and bearings.

- Available in aluminum, galvanized steel, or plastic material.



CAD drawings available on www.chiaravalli.com
Availability, quantity and prices on B2B Chiaravalli

Type	Part Num Steel	Part Num Aluminium	Part Num Polyamide	A \varnothing	B	C	D	E	Weight kg. Steel	Weight kg. Aluminium	Weight kg. Polyamide
RU 3035	94040235	94040035	94040135	30	35	2	51	M8	0,15	0,09	0,07
RU 4045	94040245	94040045	94040145	40	45	6	67	M10	0,33	0,22	0,18
RU 5050	94040250	94040050	94040150	50	50	2,5	70	M12	0,60	0,29	0,23
RU 6060	94040260	94040060	94040160	60	60	2,5	80	M12	1,08	0,45	-
RU 6060	-	-	-	60	60	8	85	M12	-	-	0,34
RU 8080	94040280	94040080	94040180	80	80	2,5	100	M12	2,70	1,10	0,60
RU 8090	94040290	94040090	94040190	80	90	8,5	125	M20	-	-	1,10
RU 90135	940402135	940400135	940401135	90	135	8,5	170	M20	-	-	1,70

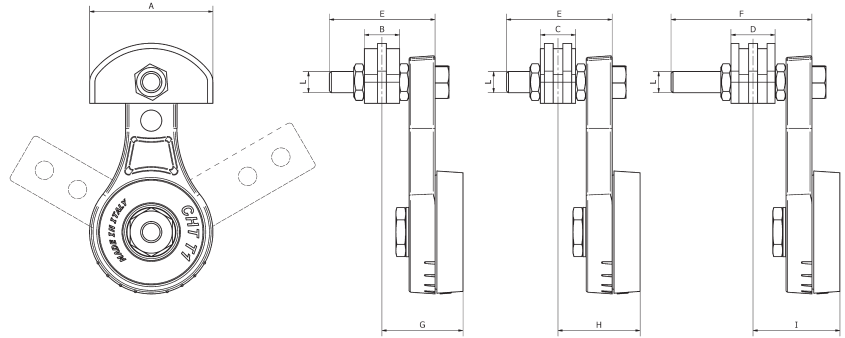




TENSIONER SLIDE CHT - GEP

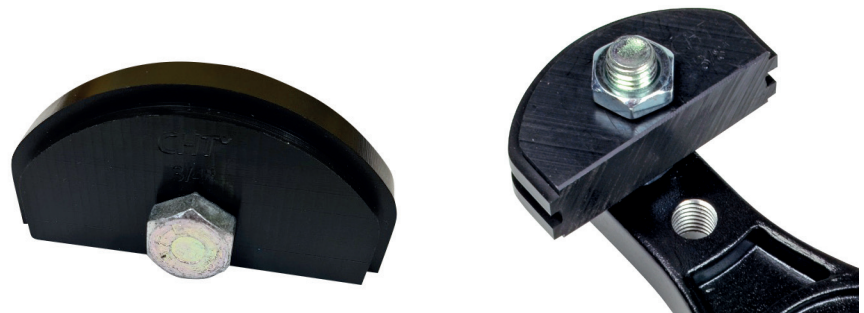
- Tensioners accessory CHT - GEP.

- High-density (1.000.000) UHMW polyethylene tensioner sliding block.



CAD drawings available on www.chiaravalli.com
Availability, quantity and prices on B2B Chiaravalli

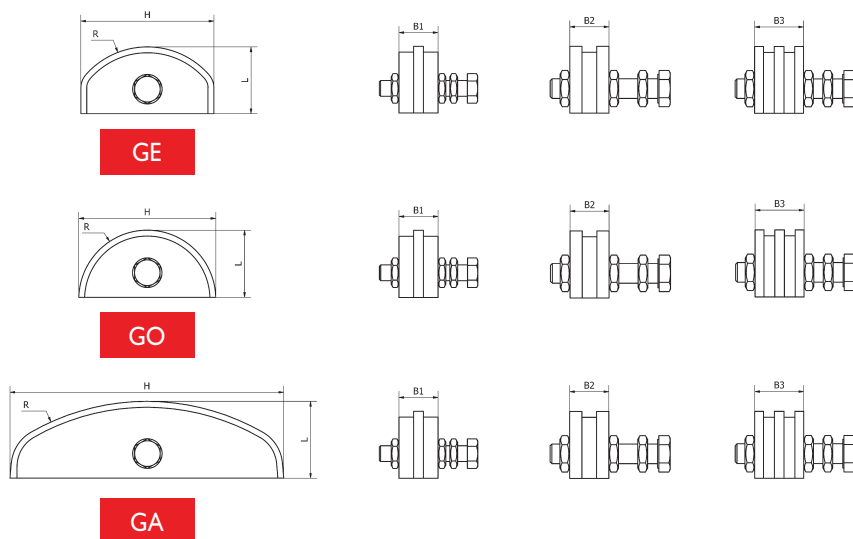
Type	Part Num simple	Part Num double	Part Num triple	Chain pitch	A	B	C	D	E	F	G	H	I	L	Weight kg.
GE-P3/8"S	94050901	-	-	3/8"	70 ^{+0.2} _{-0.2}	20	-	-	60	-	40-58	-	-	M12	0,10
GE-P1/2"S	94051201	-	-	1/2"	70 ^{+0.2} _{-0.2}	20	-	-	60	-	40-58	-	-	M12	0,11
GE-P5/8"S	94051501	-	-	5/8"	90 ^{+0.2} _{-0.2}	20	-	-	80	-	40-78	-	-	M12	0,17
GE-P3/4"S	94051901	-	-	3/4"	90 ^{+0.2} _{-0.2}	20	-	-	80	-	46-81	-	-	M12	0,19
GE-P1"S	94052501	-	-	1"	110 ^{+0.2} _{-0.2}	20	-	-	100	-	46-100	-	-	M12	0,28
GE-P3/8"D	-	94050902	-	3/8"	70 ^{+0.2} _{-0.2}	-	20	-	60	-	-	40-58	-	M12	0,11
GE-P1/2"D	-	94051202	-	1/2"	70 ^{+0.2} _{-0.2}	-	20	-	60	-	-	40-58	-	M12	0,11
GE-P5/8"D	-	94051502	-	5/8"	90 ^{+0.2} _{-0.2}	-	25	-	80	-	-	43-75	-	M12	0,17
GE-P3/4"D	-	94051902	-	3/4"	90 ^{+0.2} _{-0.2}	-	30	-	80	-	-	51-76	-	M12	0,21
GE-P1"D	-	94052502	-	1"	110 ^{+0.2} _{-0.2}	-	45	-	100	-	-	59-88	-	M12	0,32
GE-P3/8"T	-	-	94050903	3/8"	70 ^{+0.2} _{-0.2}	-	-	25	-	80	-	-	43-75	M12	0,15
GE-P1/2"T	-	-	94051203	1/2"	70 ^{+0.2} _{-0.2}	-	-	35	-	80	-	-	48-70	M12	0,18
GE-P5/8"T	-	-	94051503	5/8"	90 ^{+0.2} _{-0.2}	-	-	40	-	80	-	-	50-68	M12	0,26
GE-P3/4"T	-	-	94051903	3/4"	90 ^{+0.2} _{-0.2}	-	-	49	-	100	-	-	61-86	M12	0,35
GE-P1"T	-	-	94052003	1"	110 ^{+0.2} _{-0.2}	-	-	78	-	130	-	-	64-84	M12	0,45





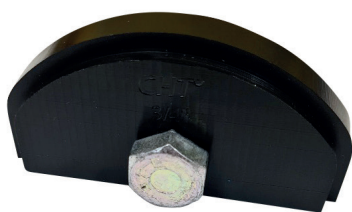
CHAIN SLIDER TYPE CHT - GA - GE - GO

- High-density (1.000.000) UHMW polyethylene chain sliding block
- Provided with a bushing kit that allows free movement of the sliding block, only for GE.

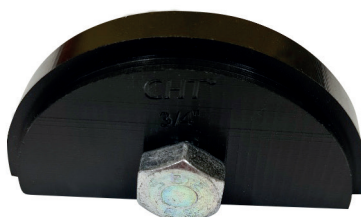


CAD drawings available on www.chiaravalli.com
Availability, quantity and prices on B2B Chiaravalli

Type	Part Num single	Part Num double	Part Num triple	Chain pitch	BI	B2	B3	L	M	H	R	Weight kg.
GE - 3/8"	94090901	94090902	-	3/8" x 7/32"	20	20	-	34	M8	70 ^{±0.2}	42	0,10
GE - 3/8"	-	-	94090903	3/8" x 7/32"	-	-	25	34	M10	70 ^{±0.2}	42	0,10
GE - 1/2"	94091201	94091202	94091203	1/2" x 5/16"	20	20	35	34	M10	70 ^{±0.2}	42	0,11
GE - 5/8"	94091501	94091502	-	5/8" x 3/8"	20	25	-	44	M10	90 ^{±0.2}	54	0,17
GE - 5/8"	-	-	94091503	5/8" x 3/8"	-	-	40	44	M12	90 ^{±0.2}	54	0,17
GE - 3/4"	94093401	94093402	-	3/4" x 7/16"	20	30	-	44	M10	90 ^{±0.2}	54	0,19
GE - 3/4"	94091901	94091902	94091903	3/4" x 7/16"	20	30	49	44	M12	90 ^{±0.2}	54	0,19
GE - 1"	94092501	94092502	94092503	1" x 17 mm	25	45	78	54	M12	110 ^{±0.2}	66	0,28
GE - 1"	-	94092602	94092603	1" x 17 mm	-	45	78	54	M20	110 ^{±0.2}	66	0,28
GE - 1" 1/4	94093101	94093102	94093103	1" x 1/4 x 3/4"	25	54	90	54	M20	110 ^{±0.2}	66	0,28
GE - 1" 1/2	94093801	94093802	94093803*	1" x 1/2 x 1"	25	71	119	54	M20	110 ^{±0.2}	66	0,28
GO - 3/8"	94110901	94110902	94110903	3/8" x 7/32"	20	20	25	34	M8	70 ^{±0.2}	35	0,10
GO - 1/2"	94111201	94111202	94111203	1/2" x 5/16"	20	20	35	34	M10	70 ^{±0.2}	35	0,11
GO - 5/8"	94111501	94111502	94111503	5/8" x 3/8"	20	25	40	44	M10	90 ^{±0.2}	45	0,17
GO - 3/4"	94111901	94111902	94111903	3/4" x 7/16"	20	30	49	44	M12	90 ^{±0.2}	45	0,19
GO - 1"	94112501	94112502	94112503	1" x 17 mm	25	45	78	54	M12	90 ^{±0.2}	55	0,28
GO - 1" 1/4	94113101	94113102	94113103	1" x 1/4 x 3/4"	25	54	90	54	M20	110 ^{±0.2}	55	0,28
GO - 1" 1/2	94113801	94113802	94113803*	1" x 1/2 x 1"	25	71	119	54	M20	110 ^{±0.2}	55	0,28
GA - 3/8"	94080901	94080902	94080903	3/8" x 7/32"	20	20	25	39	M8	140 ^{±0.2}	120	0,16
GA - 1/2"	94081201	94081202	94081203	1/2" x 5/16"	20	20	35	39	M10	140 ^{±0.2}	120	0,16
GA - 5/8"	94081501	94081502	94081503	5/8" x 3/8"	20	25	40	39	M10	140 ^{±0.2}	140	0,23
GA - 3/4"	94081901	94081902	94081903	3/4" x 7/16"	20	30	49	39	M12	140 ^{±0.2}	140	0,23
GA - 1"	94082501	94082502	94082503	1" x 17 mm	25	45	78	39	M12	140 ^{±0.2}	160	0,30



GE



GO

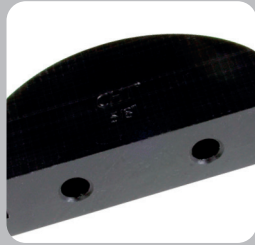


GA

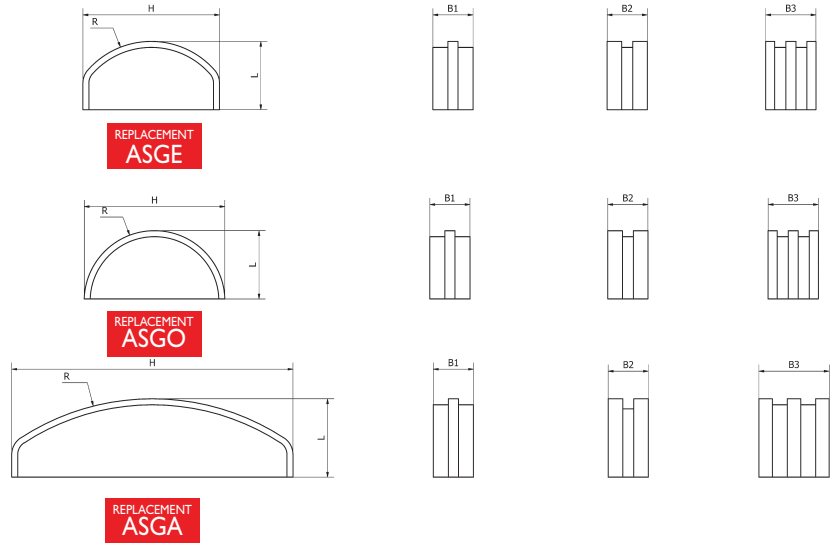


CHAIN SLIDER - REPLACEMENT ASGE - ASGO - ASGA

- High-density (1.000.000) UHMW polyethylene tensioner sliding block.



CAD drawings available on www.chiaravalli.com
Availability, quantity and prices on B2B Chiaravalli



Type	Part Num single	Part Num double	Part Num triple	Chain pitch	B1	B2	B3	L	H	R	Weight kg.
RIC.ASGE 1 - 3/8"	94ASGE138SR	94ASGE138DR	-	3/8 x 7/32"	20	20	-	34	70	42	0,1
RIC.ASGE 1 - 3/8"	-	-	94ASGE138TR	3/8 x 7/32"	-	-	25	34	70	42	0,1
RIC.ASGE 1 - 1/2"	94ASGE112SR	94ASGE112SDR	94ASGE112TR	1/2" x 5/16"	20	20	35	34	70	42	0,11
RIC.ASGE 1 - 5/8"	94ASGE158SR	94ASGE158DR	-	5/8" x 3/8"	20	25	-	44	90	54	0,17
RIC.ASGE 1 - 5/8"	-	-	94ASGE158TR	5/8" x 3/8"	-	-	40	44	90	54	0,17
RIC.ASGE 2 - 5/8"	94ASGE258SR	94ASGE258DR	94ASGE258TR	5/8" x 3/8"	20	-	40	44	90	54	0,17
RIC.ASGE 2 - 3/4"	94ASGE234SR	94ASGE234DR	94ASGE234TR	3/4" x 7/16"	20	30	49	44	90	54	0,19
RIC.ASGE 2 - 1"	94ASGE21SR	94ASGE21DR	-	1" x 17 mm	25	45	78	54	110	66	0,28
RIC.ASGE 2 - 1"	94ASGE31SR	94ASGE31DR	94ASGE31TR	1" x 17 mm	-	45	78	54	110	66	0,28
RIC.ASGE 3 - 1" 1/4"	94ASGE3114SR	94ASGE3114DR	94ASGE3114TR	1" x 1/4 x 3/4"	25	54	90	54	110	66	0,28
RIC.ASGE 3 - 1" 1/2"	94ASGE3112SR	94ASGE3112DR	94ASGE3112TR	1" x 1/2 x 1"	25	71	119	54	110	66	0,28
RIC.ASGE 3 - 1" 3/4"	94ASGE3134SR	-	-	1" 3/4 x 1" 1/4"	25	-	-	54	110	66	0,28
RIC.ASGE 3 - 2"	94ASGE32SR	-	-	2" x 1" 1/4"	30	-	-	54	110	66	0,28
RIC.ASGO 1 - 3/8"	94ASGO138SR	94ASGO138DR	94ASGO138TR	3/8 x 7/32"	20	20	25	34	70	35	0,1
RIC.ASGO 1 - 1/2"	94ASGO112SR	94ASGO112DR	94ASGO112TR	1/2" x 5/16"	20	20	35	34	70	35	0,11
RIC.ASGO 1 - 5/8"	94ASGO158SR	94ASGO158DR	94ASGO158TR	5/8" x 3/8"	20	25	40	44	90	45	0,17
RIC.ASGO 1 - 5/8"	94ASGO258SR	94ASGO258DR	94ASGO258TR	5/8" x 3/8"	20	25	40	44	90	45	0,17
RIC.ASGO 2 - 3/4"	94ASGO234SR	94ASGO234DR	94ASGO234TR	3/4" x 7/16"	20	30	49	44	90	45	0,19
RIC.ASGO 2 - 1"	94ASGO21SR	94ASGO21DR	-	1" x 17 mm	25	45	78	54	110	55	0,28
RIC.ASGO 3 - 1"	94ASGO31SR	94ASGO31DR	94ASGO31TR	1" x 17 mm	25	45	78	54	110	55	0,28
RIC.ASGO 3 - 1" 1/4"	94ASGO3114SR	94ASGO3114DR	94ASGO3114TR	1" x 1/4 x 3/4"	25	54	90	54	110	55	0,28
RIC.ASGO 3 - 1" 1/2"	94ASGO3112SR	94ASGO3112DR	94ASGO3112TR	1" x 1/2 x 1"	25	71	119	54	110	55	0,28
RIC.ASGO 3 - 1" 3/4"	94ASGO3134SR	-	-	1" 3/4 x 1" 1/4"	20	-	-	44	90	45	0,19
RIC.ASGO 3 - 2"	94ASGO32SR	-	-	2" x 1" 1/4"	30	-	-	15	88	54	0,19
RIC.ASGA 1 - 3/8"	94ASGA138SR	94ASGA138DR	94ASGA138TR	3/8 x 7/32"	20	20	25	39	140	120	0,16
RIC.ASGA 1 - 1/2"	94ASGA112SR	94ASGA112DR	94ASGA112TR	1/2" x 5/16"	20	20	35	39	140	120	0,16
RIC.ASGA 1 - 5/8"	94ASGA158SR	94ASGA158DR	94ASGA158TR	5/8" x 3/8"	20	25	40	39	140	140	0,23
RIC.ASGA 1 - 5/8"	94ASGA258SR	94ASGA258DR	94ASGA258TR	5/8" x 3/8"	20	25	40	39	140	140	0,23
RIC.ASGA 2 - 3/4"	94ASGA234SR	94ASGA234DR	94ASGA234TR	3/4" x 7/16"	20	30	49	39	140	140	0,23
RIC.ASGA 2 - 1"	94ASGA31SR	94ASGA31DR	94ASGA31TR	1" x 17 mm	25	45	78	39	140	160	0,3
RIC.ASGA 3 - 1" 1/4"	94ASGA3114SR	94ASGA3114DR	94ASGA3114TR	1" 1/4 x 3/4"	25	54	90	17,5	108	66	0,28
RIC.ASGA 3 - 1" 1/2"	94ASGA3112SR	94ASGA3112DR	94ASGA3112TR	1" x 1/2 x 1"	25	71	119	17,5	108	66	0,28
RIC.ASGA 3 - 2"	94ASGA32SR	-	-	2" x 1" 1/4"	30	-	-	44	90	45	0,19



REPLACEMENT ASGE



REPLACEMENT ASGO

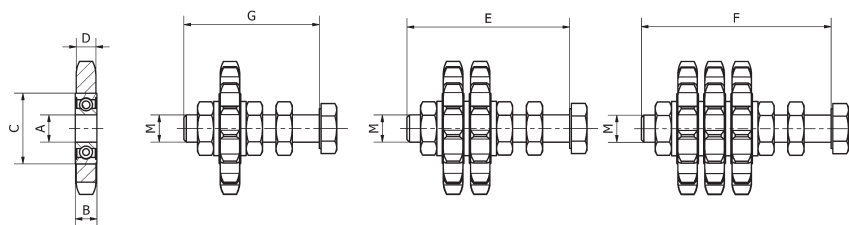


REPLACEMENT ASGA



CHAIN TENSIONER SPROCKET CHT - R

- Galvanized chain tensioner sprockets complete with self-lubricating 2Z ball bearings and accessories for mounting on CHT-L, CHT-T, CHT-AS, and CHT-E tensioners.



CAD drawings available on www.chiaravalli.com
Availability, quantity and prices on B2B ChiaraValli

Type	Part Num single	Part Num double	Part Num triple	Chain pitch	Z teeth	A	B	C	D h14	M	G	E	F
R	94060911	94060912	-	3/8"	15	10	8	26	5,3	M10	55	55	-
R	94060901	94060902	94060903	3/8"	15	12	8	28	5,3	M12	60	60	80
R	94061201	94061202	94061203	1/2"	15	12	10	32	7,2	M12	60	60	80
R	94061211	94061212	-	1/2"	15	10	9	30	7,2	M10	55	60	-
R	94061501	94061502	94061503	5/8"	15	12	10	32	9,1	M12	80	80	80
R	-	-	94061523	5/8"	15	20	12	42	9,1	M20	-	-	120
R	94061901	94061902	94061903	3/4"	15	12	12	37	11,1	M12	80	80	100
R	94061921	94061922	94061923	3/4"	15	20	14	47	11,1	M20	100	120	120
R	94062501	94062502	-	1"	12	12	12	37	16,2	M12	100	100	-
R	94062521	94062522	94062523	1"	12	20	15	47	16,2	M20	100	120	160
R	94063121	94063122	94063123	1" 1/4	13	20	15	52	18,5	M20	100	140	160
R	94063821	94063822	94063823	1" 1/2	11	20	15	52	24,1	M20	140	140	180

Type	Part Num single	Weight kg. single	Part Num double	Weight kg. double	Part Num triple	Weight kg. triple
R	94060911	0,15	94060912	0,23	-	-
R	94060901	0,13	94060902	0,21	94060903	0,26
R	94061201	0,18	94061202	0,35	94061203	0,50
R	94061211	0,20	94061212	0,37	-	-
R	94061501	0,35	94061502	0,60	94061503	0,95
R	-	-	-	-	94061523	1,30
R	94061901	0,55	94061902	1,00	94061903	1,40
R	94061921	0,85	94061922	1,35	94061923	1,60
R	94062501	0,90	94062502	1,70	-	2,50
R	94062521	1,00	94062522	1,90	94062523	2,70
R	94063121	2,00	94063122	3,60	94063123	5,20
R	94063821	2,35	94063822	4,00	94063823	5,80

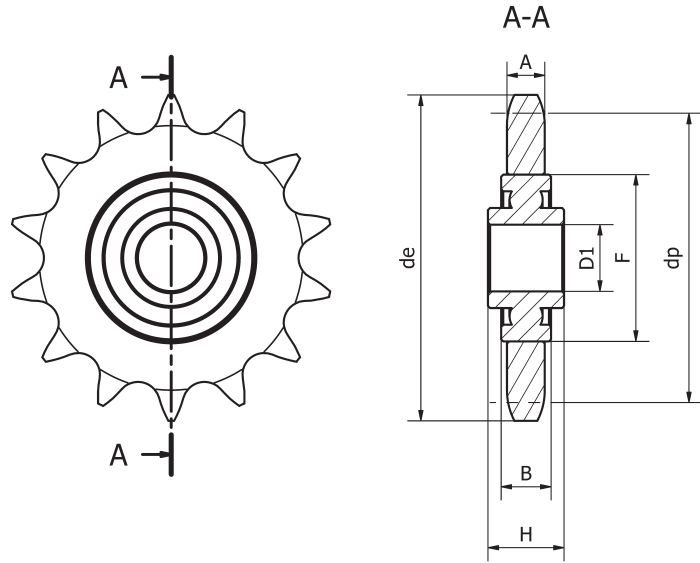




CHAIN TENSIONER SPROCKET CHT - TN

- Complete with national bearing.
- Our chain tensioners come complete with a bearing, ready for installation at specific tension or redirection points.
- The precise manufacturing and stable assembly on a double-shielded ball bearing allow for increased resistance to loads and wear.
- The "extended" central ring of the bearing allows for easy installation on various types of special machinery.

CAD drawings available on www.chiaravalli.com
Availability, quantity and prices on B2B Chiaravalli



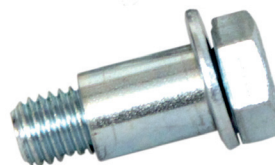
Z	Pitch	d _e	d _p	Part Number	A	D1	F	B	H	kg.
23	8 x 3	62,15	58,75	30008023	2,8	16 ^{+0,26} / _{-0,13}	40	12	18,3	0,13
21	3/8" x 7/32"	68,00	63,90	30009021	5,3	16 ^{+0,26} / _{-0,13}	40	12	18,3	0,15
22	3/8" x 7/32"	71,00	66,93	30009022	5,3	16 ^{+0,26} / _{-0,13}	40	12	18,3	0,16
18	1/2" x 1/8"	78,90	73,14	30010018	3,0	16 ^{+0,26} / _{-0,13}	40	12	18,3	0,18
15	1/2" x 3/16"	66,80	61,09	30011015	4,5	16 ^{+0,26} / _{-0,13}	40	12	18,3	0,16
16	1/2" x 3/16"	70,90	65,10	30011016	4,5	16 ^{+0,26} / _{-0,13}	40	12	18,3	0,17
18	1/2" x 3/16"	78,90	73,13	30011018	4,5	16 ^{+0,26} / _{-0,13}	40	12	18,3	0,20
14	1/2" x 5/16"	61,80	57,07	30012014	7,2	16 ^{+0,26} / _{-0,13}	40	12	18,3	0,13
16	1/2" x 5/16"	69,50	65,10	30012016	7,2	16 ^{+0,26} / _{-0,13}	40	12	18,3	0,17
18	1/2" x 5/16"	77,80	73,14	30012018	7,2	16 ^{+0,26} / _{-0,13}	40	12	18,3	0,22
14	5/8" x 3/8"	78,00	71,34	30015014	9,1	16 ^{+0,26} / _{-0,13}	40	12	18,3	0,23
15	5/8" x 3/8"	83,00	76,36	30015015	9,1	16 ^{+0,26} / _{-0,13}	40	12	18,3	0,27
17	5/8" x 3/8"	93,00	86,39	30015017	9,1	16 ^{+0,26} / _{-0,13}	40	12	18,3	0,36
13	3/4" x 7/16"	87,50	79,59	30019013	11,1	16 ^{+0,26} / _{-0,13}	40	12	18,3	0,34
15	3/4" x 7/16"	99,80	91,63	30019015	11,1	16 ^{+0,26} / _{-0,13}	40	12	18,3	0,47
12	1" x 17.02	109,00	98,14	30025012	16,2	20 ^{+0,1} / _{-0,1}	47	14	17,7	0,72
13	1 1/4" x 3/4"	147,80	132,65	30031013	18,5	25 ^{+0,1} / _{-0,1}	52	15	21,0	1,64



MOUNTING KITS TO BE PURCHASED SEPARATELY

	Part Num	A	B	C	D	kg.
KT TN 16	KT TN 16	M12	16	8	48	0,06
KT TN 20	KT TN 20	M12	20	8	53	0,07
KT TN 25	KT TN 25	M16	25	10	50	0,10

The TN Series mounting kit facilitates the installation of the TN chain tensioner on our T, AS, and L Series automatic tensioners. The kit includes a hexagonal head screw, washer, and bushing.





ROTATING TENSIONER BRAND CHT® SS



159

Ø78,18



ASSEMBLY INSTRUCTIONS TYPE E SS

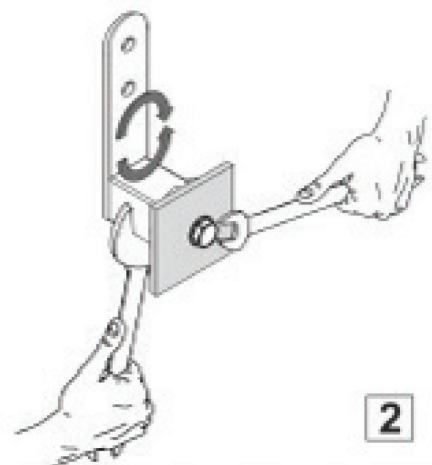
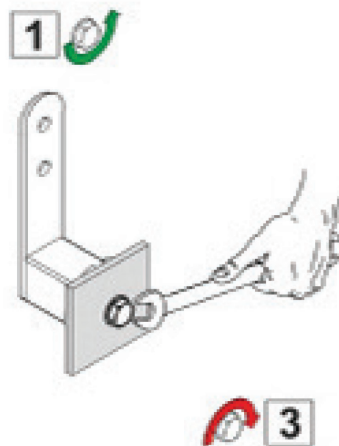
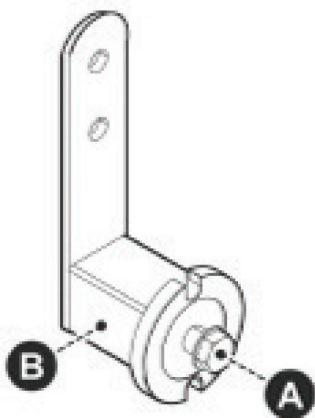
TYPE E

- 1) Loosen the fixing screw "A" slightly.
- 2) Rotate the tensioner "B" in the desired direction using a second wrench located on the frame of the base body.
- 3) Lock the screw "A".

NOTE

In case of irregular surfaces or heavy-duty applications, it is recommended to use an anti-rotation pin, using one of the two slots on the base of the tensioner.

ON DEMAND
ALSO AVAILABLE WITH
FRONT MOUNTING



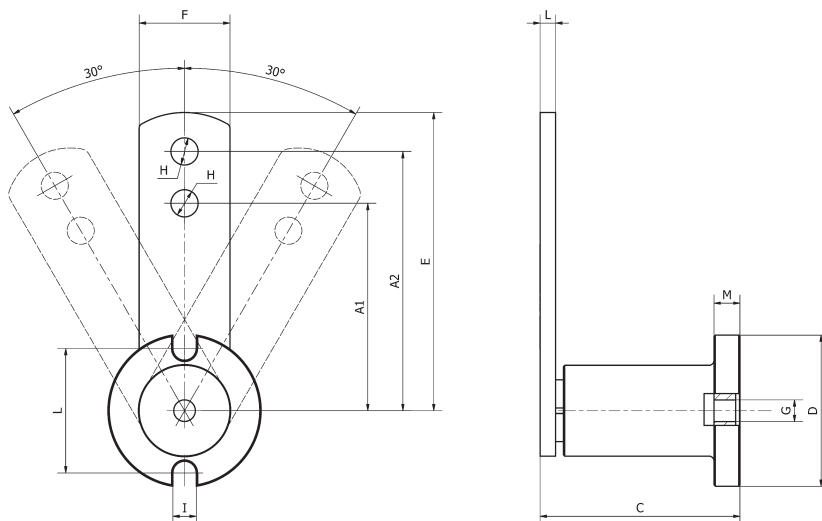


ROTATING TENSIONERS CHT - E SS

- Tensioner E with two holes for accessory fastening in AISI 304 stainless steel
- Rubber elastic elements.
- Supplied with AISI 304 Stainless Steel assembly bolt.
- Mirror finish.

FRONT MOUNTED VERSION AVAILABLE UPON REQUEST

CAD drawings available on www.chiaravalli.com
Availability, quantity and prices on B2B Chiaravalli



Type	Part Number	Newton A2	Newton A1	A1	A2	B	C	D Ø	E	F	G	H	I	L	M	Weight kg.
E1	94070001SS	0 - 90	0 - 110	60	80	5	50	35	90	20	M6	8,5	7	31	6	0,18
E2	94070002SS	0 - 130	0 - 160	80	100	5	63	45	112,5	30	M8	10,5	9	41	8	0,35
E3	94070003SS	0 - 330	0 - 410	80	100	6	77	59	115	35	M10	10,5	9	48	10	0,60
E4	94070004SS	0 - 800	0 - 1000	100	130	8	107	79	155	50	M12	12,5	11	63	15	1,90
E5	94070005SS	0 - 1500	0 - 1850	140	175	10	139	98	205	60	M16	20,5	13	84	15	3,80
E6	94070006SS	0 - 2500	0 - 3100	180	225	12	199	118	260	70	M20	20,5	13	100	18	6,50
E7	94070007SS	0 - 3800	0 - 4800	200	250	20	210	128	290	80	M24	20,5	17	107	20	9,00

AVAILABLE UPON REQUEST IN AISI 316



CH-E
RETRO

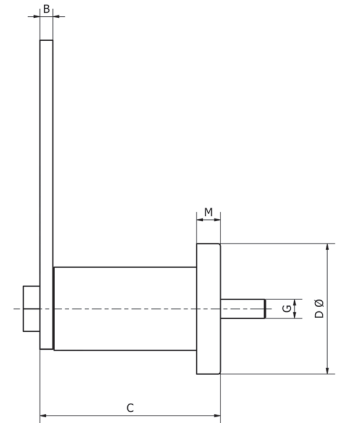
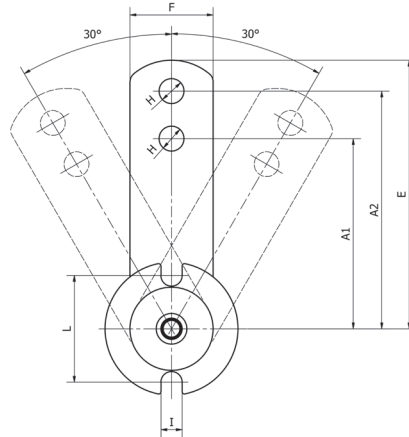


ROTATING TENSIONER CHT - E SS FRONT-MOUNTED

- Tensioner E with two holes for accessory fastening in AISI 304 Stainless Steel
- Rubber elastic elements.
- Supplied with AISI 304 Stainless Steel assembly bolt.
- Mirror finish.

FRONT MOUNTED VERSION AVAILABLE UPON REQUEST

CAD drawings available on www.chiaravalli.com
Availability, quantity and prices on B2B Chiaravalli



Type	Part Number	Newton A2	Newton A1	A1	A2	B	C	DØ	E	F	G	H	I	L	M	Weight kg
E 1	94070001MFSS	0-090	0-110	60	80	5	50	35	90	20	M5	8,5	7	31	6	0,18
E 2	94070002MFSS	0-130	0-160	80	100	5	63	45	112,5	30	M6	10,5	9	41	8	0,35
E 3	94070003MFSS	0-330	0-410	80	100	6	77	59	115	35	M8	10,5	9	48	10	0,60
E 4	94070004MFSS	0-800	0-1000	100	130	8	107	79	155	50	M10	12,5	11	63	15	1,90
E 5	94070005MFSS	0-1500	0-1850	140	175	10	139	98	205	60	M12	20,5	13	84	15	3,80
E 6	94070006MFSS	0-2500	0-3100	180	225	12	199	118	260	70	M16	20,5	13	100	18	6,50
E 7	94070007MFSS	0-3800	0-4800	200	250	20	210	128	290	80	M20	20,5	17	107	20	9,00

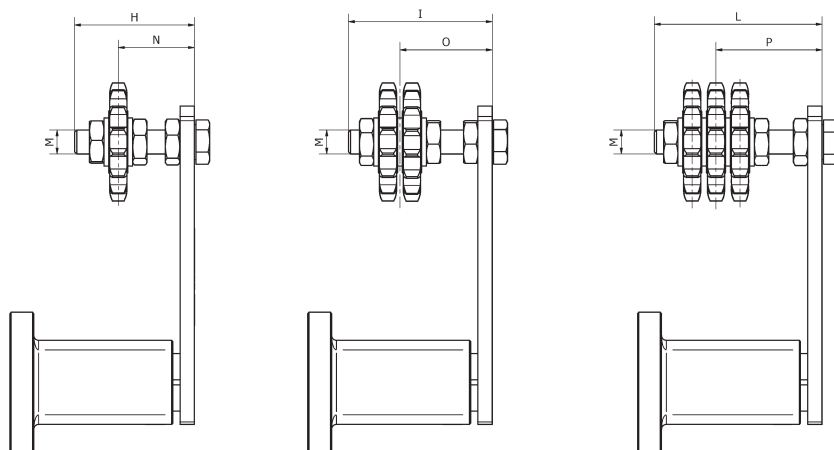
AVAILABLE UPON REQUEST IN AISI 316





ROTATING TENSIONER CHT - ER SS

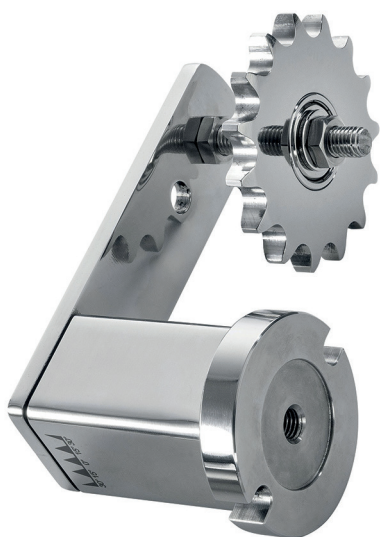
- Tensioner E with chain tensioner sprocket in AISI 304 Stainless Steel
- Rubber elastic elements.
- Supplied with AISI 304 Stainless Steel assembly bolt.
- Mirror finish.



CAD drawings available on www.chiaravalli.com
Availability, quantity and prices on B2B Chiaravalli

Type	Part Num simple	Part Num double	Part Num triple	Chain pitch	Newton A2	Newton A1	Teeth	H	I	L	M	N	O	P
CHT- ER2-3/8"	94070921SS	94070922SS	-	3/8" x 7/32"	0-130	0-160	15	55	55	-	M10	22-43	27-39	-
CHT- ER3-3/8"	94070931SS	94070932SS	94070933SS	3/8" x 7/32"	0-330	0-410	15	55	60	70	M10	23-43	28-39	33-48
CHT- ER3-1/2"	94071231SS	94071232SS	-	1/2" x 5/16"	0-330	0-410	15	55	60	-	M10	23-44	30-37	-
CHT- ER4-1/2"	-	-	94071243SS	1/2" x 5/16"	0-800	0-1000	15	-	-	80	M12	-	-	41-51
CHT- ER4-5/8"	94071541SS	94071542SS	94071543SS	5/8" x 3/8"	0-800	0-1000	15	80	80	80	M12	27-65	36-57	43-50
CHT- ER4-3/4"	94071941SS	94071942SS	-	3/4" x 7/16"	0-800	0-1000	15	80	80	-	M12	27-65	37-56	-
CHT- ER5-5/8"	-	-	94071553SS	5/8" x 3/8"	0-1500	0-1850	15	-	-	120	M20	-	-	56-84
CHT- ER5-3/4"	94071951SS	94071952SS	94071953SS	3/4" x 7/16"	0-1500	0-1850	15	100	120	120	M20	40-80	50-90	59-80
CHT- ER5-1"	94072551SS	94072552SS	-	1" x 17mm	0-1500	0-1850	12	100	120	-	M20	40-80	55-84	-
CHT- ER6 1"	-	-	94072563SS	1" x 17mm	0-2500	0-3100	12	-	-	160	M20	-	-	74-108
CHT- ER6 1-1/4"	94073161SS	94073162SS	94073163SS	1"1/4 x 3/4"	0-2500	0-3100	13	100	140	160	M20	40-80	60-120	78-105
CHT- ER6 1-1/2"	94073861SS	94073862SS	94073863SS	1"1/2 x 1"	0-2500	0-3100	11	140	140	180	M20	40-120	65-97	90-111
CHT- ER7 1-1/4"	94071141SS	94071142SS	94071143SS	1"1/4 x 3/4"	0-3800	0-4800	13	100	140	160	M20	40-80	60-120	78-105
CHT- ER7 1-1/2"	9407112SS	9407112DSS	9407112TSS	1"1/2 x 1"	0-3800	0-4800	11	140	140	180	M20	40-120	95-97	90-11

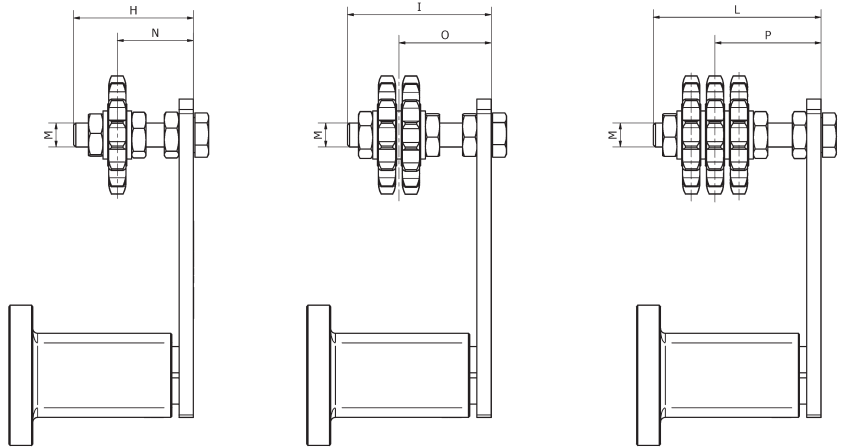
AVAILABLE UPON REQUEST IN AISI 316





ROTATING TENSIONER CHT - ER SS FRONT-MOUNTED

- Tensioner E with chain tensioner sprocket in AISI 304 Stainless Steel
- Rubber elastic elements.
- Supplied with AISI 304 Stainless Steel assembly bolt.
- Mirror finish.



CAD drawings available on www.chiaravalli.com
Availability, quantity and prices on B2B Chiaravalli

Part Number simple	Weight	Part Number double	Weight	Part Number triple	Weight
94070921MFSS	0,574	94070922MFSS	0,714	-	0,86
94070931MFSS	0,76	94070932MFSS	0,90	94070933MFSS	1,05
94071231MFSS	0,87	94071232MFSS	1,12	-	1,37
-	-	-	-	94071243MFSS	2,23
94071541MFSS	2,40	94071542MFSS	-	94071543MFSS	-
94071941MFSS	2,60	94071942MFSS	3,22	-	-
-	-	-	-	94071553MFSS	3,30
94071951MFSS	3,50	94071952MFSS	4,12	94071953MFSS	4,52
94072551MFSS	3,83	94072552MFSS	4,76	-	-
-	-	-	-	94072563MFSS	7,71
94073161MFSS	8,95	94073162MFSS	11,13	94073163MFSS	13,32
94073861MFSS	9,39	94073862MFSS	12,00	94073863MFSS	14,50
94071141MFSS	12,45	94071142MFSS	14,63	94071143MFSS	16,81
9407112MFSS	12,90	9407112DMFSS	15,60	9407112TMFSS	18,20

AVAILABLE UPON REQUEST IN AISI 316



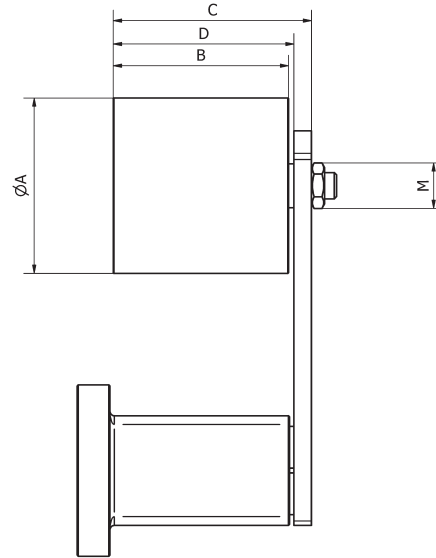


ROTATING TENSIONER CHT - ERU SS

- Tensioner E with belt tensioner roller in AISI 304 Stainless Steel
- Rubber elastic elements.
- Supplied with AISI 304 Stainless Steel assembly bolt.
- Mirror finish.

FRONT MOUNTED VERSION AVAILABLE UPON REQUEST

CAD drawings available on www.chiaravalli.com
Availability, quantity and prices on B2B Chiaravalli



Type	Part Number Stainless Steel	Part Number Polyamide	Newton A2	Newton A1	A Ø	B	C	D	M	Weight kg. SS	Weight kg. Polyamide
ERU 1 - 3035	94073521SS	94073511SS	0-90	0-110	30	35	51	43	M8	0,34	0,27
ERU 2 - 4045	94074522SS	94074512SS	0-130	0-160	40	45	67	56	M10	0,80	0,67
ERU 2 - 5050	94075022SS	94075012SS	0-130	0-160	50	50	69	58	M12	1,07	0,68
ERU 3 - 4045	94074523SS	94074513SS	0-330	0-410	40	45	67	57	M10	0,97	0,80
ERU 3 - 5050	94075023SS	94075013SS	0-330	0-410	50	50	69	59	M12	1,24	0,85
ERU 4 - 6060	94076024SS	94076014SS	0-800	0-1000	60	60	89	76	M12	3,08	2,34
ERU 5 - 8080	94078024SS	94078014SS	0-800	0-1000	80	80	92,5	82,5	M12	5,84	2,60
ERU 5 - 8090	94078025SS	94078015SS	0-1500	0-1850	80	90	127	109	M20	5,85	4,00
ERU 6 - 90135	9407901356SS	94079016SS	0-2500	0-3100	90	135	169	154	M20	12,40	8,48
ERU 7 - 90135	94079013527SS	94079017SS	0-3800	0-4800	90	135	169	154	M20	15,89	12,00

AVAILABLE UPON REQUEST IN AISI 316



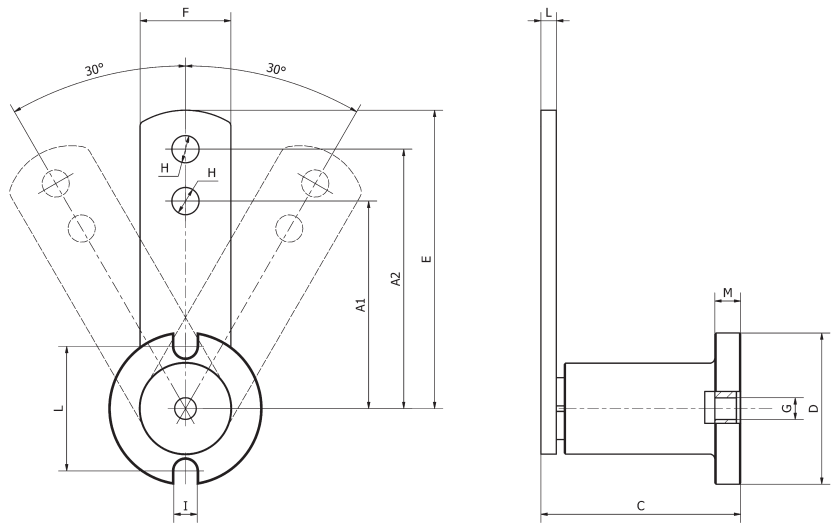


ROTATING TENSIONER CHT - ERU SS FRONT-MOUNTED

- Tensioner E cwith two holes for accessory fastening in AISI 304 Stainless Steel.
- Rubber elastic elements.
- Supplied with AISI 304 Stainless Steel assembly bolt.
- Mirror finish.

FRONT MOUNTED VERSION AVAILABLE UPON REQUEST

CAD drawings available on www.chiaravalli.com
Availability, quantity and prices on B2B Chiaravalli



Type	Part Number Stainless Steel	Part Number Polyamide	Newton A2	Newton A1	A Ø	B	C	D	M	Weight kg. SS	Weight kg. Polyamide
ERU 1 - 3035	94073521MFSS	94073511MFSS	0-90	0-110	30	35	51	43	M8	0,34	0,27
ERU 2 - 4045	94074522MFSS	94074512MFSS	0-130	0-160	40	45	67	56	M10	0,80	0,67
ERU 2 - 5050	94075022MFSS	94075012MFSS	0-130	0-160	50	50	69	58	M12	1,07	0,68
ERU 3 - 4045	94074523MFSS	94074513MFSS	0-330	0-410	40	45	67	57	M10	0,97	0,80
ERU 3 - 5050	94075023MFSS	94075013MFSS	0-330	0-410	50	50	69	59	M12	1,24	0,85
ERU 4 - 6060	94076024MFSS	94076014MFSS	0-800	0-1000	60	60	89	76	M12	3,08	2,34
ERU 4 - 8080	94078024MFSS	94078014MFSS	0-800	0-1000	80	80	92,5	82,5	M12	5,84	2,60
ERU 5 - 8090	94078025MFSS	94078015MFSS	0-1500	0-1850	80	90	127	109	M20	5,85	4,00
ERU 6 - 90135	9407901356MFSS	94079016MFSS	0-2500	0-3100	90	135	169	154	M20	12,40	8,48
ERU 7 - 90135	94079013527MFSS	94079017MFSS	0-3800	0-4800	90	135	169	154	M20	15,89	12,00

AVAILABLE UPON REQUEST IN AISI 316



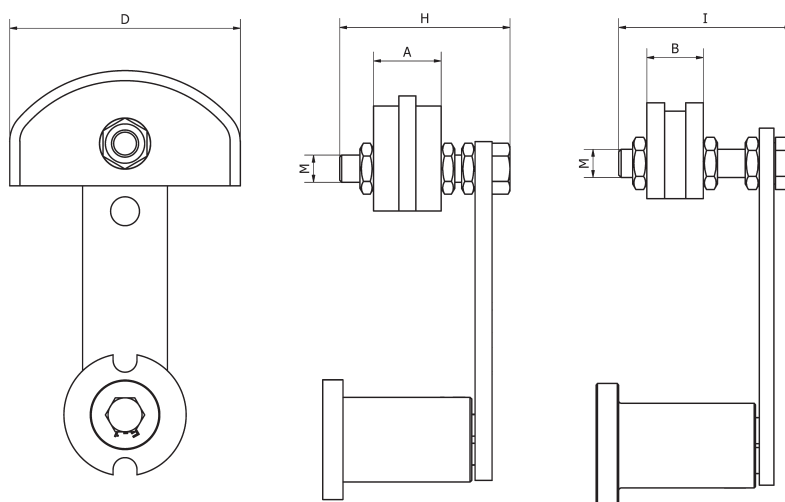


ROTATING TENSIONER CHT - EGE SS

- Tensioner E with high molecular weight (1,000,000) UHMW polyethylene chain tensioner sliding block.
- Provided with a bushing kit that allows free movement of the sliding block.
- Rubber elastic elements.
- Also available with GA and GO profile, sizes indicated on page 38.
- Supplied with AISI 304 Stainless Steel assembly bolt.
- Mirror finish.

FRONT MOUNTED VERSION AVAILABLE UPON REQUEST

CAD drawings available on www.chiaravalli.com
Availability, quantity and prices on B2B Chiaravalli



Type	Part Num simple	Part Num double	Part Num triple	Chain pitch	Newton A2	Newton A1	A	B	C	D	H	I	L	M	Weight kg.
EGE 1 - 3/8	94070901SS	94070902SS	-	3/8x7/32"	0-90	0-110	20	20	-	68 ^{±0.2}	45	45	-	M8	0,30
EGE 2 - 3/8	-	-	94070933SS	3/8x7/32"	0-130	0-160	-	-	25	68 ^{±0.2}	-	-	45	M10	0,50
EGE 2 - 1/2	94071201SS	94071202SS	-	1/2"x5/16"	0-130	0-160	20	20	-	68 ^{±0.2}	55	55	-	M10	0,50
EGE 3 - 1/2	94071211SS	94071212SS	94071213SS	1/2"x5/16"	0-330	0-410	20	20	35	68 ^{±0.2}	55	60	70	M10	0,75
EGE 3 - 5/8	94071501SS	94071502SS	-	5/8"x3/8"	0-330	0-410	20	25	-	88 ^{±0.2}	55	70	-	M10	0,78
EGE 3 - 3/4	94071901SS	94071902SS	-	3/4"x7/16"	0-330	0-410	20	30	-	88 ^{±0.2}	60	70	-	M10	0,80
EGE 4 - 5/8	-	-	94071503SS	5/8"x3/8"	0-800	0-1000	-	-	40	88 ^{±0.2}	-	-	100	M12	2,10
EGE 4 - 3/4	94071911SS	94071912SS	94071913SS	3/4"x7/16"	0-800	0-1000	20	30	49	88 ^{±0.2}	80	80	100	M12	2,10
EGE 4 - 1	94072501SS	94072502SS	94072503SS	1"x17 mm	0-800	0-1000	20	45	78	108 ^{±0.2}	80	90	100	M12	2,20
EGE 5 - 1	-	94072512SS	94072513SS	1"x17 mm	0-1500	0-1850	-	45	78	108 ^{±0.2}	-	100	120	M20	4,00
EGE 5 - 1 1/4	94073101SS	94073102SS	94073103SS	1"1/4x3/4"	0-1500	0-1850	20	54	90	108 ^{±0.2}	100	120	130	M20	4,20
EGE 5 - 1 1/2	94073801SS	94073802SS	94073803SS	1"1/2x1"	0-1500	0-1850	20	71	119	108 ^{±0.2}	100	120	130	M20	4,20

AVAILABLE UPON REQUEST IN AISI 316

SLIDING BLOCK MATERIAL: POLYAMIDE (PA) - AISI 304 STAINLESS STEEL (SS)



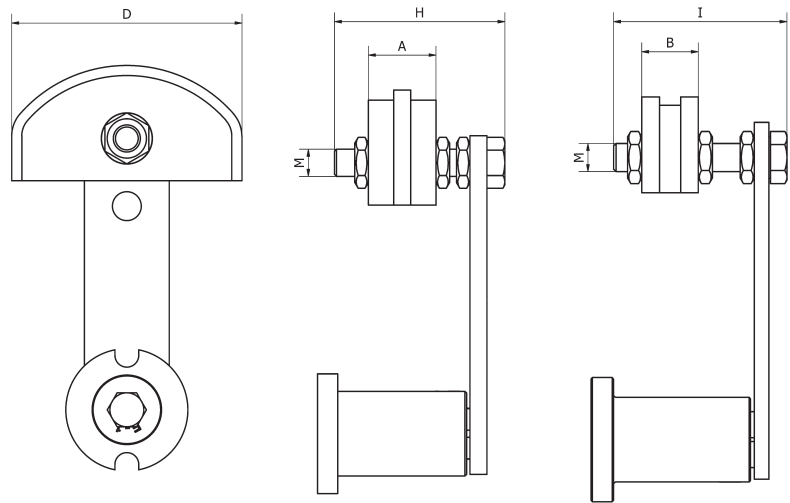


ROTATING TENSIONER CHT - EGE SS FRONT-MOUNTED

- Tensioner E with high molecular weight (1,000,000) UHMW polyethylene chain tensioner sliding block.
- Provided with a bushing kit that allows free movement of the sliding block.
- Rubber elastic elements.
- Also available with GA and GO profile, sizes indicated on page 38.
- Supplied with AISI 304 Stainless Steel assembly bolt.
- Mirror finish.

FRONT MOUNTED VERSION AVAILABLE UPON REQUEST

CAD drawings available on www.chiaravalli.com
Availability, quantity and prices on B2B Chiaravalli



Type	Part Num simple	Part Num double	Part Num triple	Passo catena	Newton A2	Newton A1	A	B	C	D	H	I	L	M	Weight kg.
EGE 1 - 3/8	94070901MFSS	94070902MFSS	-	3/8x7/32"	0-90	0-110	20	20	-	68 ^{+0.2} _{-0.2}	45	45	-	M8	0,30
EGE 2 - 3/8	-	-	94070903MFSS	3/8x7/32"	0-130	0-160	-	-	25	68 ^{+0.2} _{-0.2}	-	-	45	M10	0,50
EGE 2 - 1/2	94071201MFSS	94071202MFSS	-	1/2"x5/16"	0-130	0-160	20	20	-	68 ^{+0.2} _{-0.2}	55	55	-	M10	0,50
EGE 3 - 1/2	94071211MFSS	94071212MFSS	94071213MFSS	1/2"x5/16"	0-330	0-410	20	20	35	68 ^{+0.2} _{-0.2}	55	60	70	M10	0,75
EGE 3 - 5/8	94071501MFSS	94071502MFSS	-	5/8"x3/8"	0-330	0-410	20	25	-	88 ^{+0.2} _{-0.2}	55	70	-	M10	0,78
EGE 3 - 3/4	94071901MFSS	94071902MFSS	-	3/4"x7/16"	0-330	0-410	20	30	-	88 ^{+0.2} _{-0.2}	60	70	-	M10	0,80
EGE 4 - 5/8	-	-	94071503MFSS	5/8"x3/8"	0-800	0-1000	-	-	40	88 ^{+0.2} _{-0.2}	-	-	100	M12	2,10
EGE 4 - 3/4	94071911MFSS	94071912MFSS	94071913MFSS	3/4"x7/16"	0-800	0-1000	20	30	49	88 ^{+0.2} _{-0.2}	80	80	100	M12	2,10
EGE 4 - 1	94072501MFSS	94072502MFSS	94072503MFSS	1"x17 mm	0-800	0-1000	20	45	78	108 ^{+0.2} _{-0.2}	80	90	100	M12	2,20
EGE 5 - 1	-	94072512MFSS	94072513MFSS	1"x17 mm	0-1500	0-1850	-	45	78	108 ^{+0.2} _{-0.2}	-	100	120	M20	4,00
EGE 5 - 1 1/4	94073101MFSS	94073102MFSS	94073103MFSS	1"1/4x3/4"	0-1500	0-1850	20	54	90	108 ^{+0.2} _{-0.2}	100	120	130	M20	4,20
EGE 5 - 1 1/2	94073801MFSS	94073802MFSS	94073803MFSS	1"1/2x1"	0-1500	0-1850	20	71	119	108 ^{+0.2} _{-0.2}	100	120	130	M20	4,20

AVAILABLE UPON REQUEST IN AISI 316

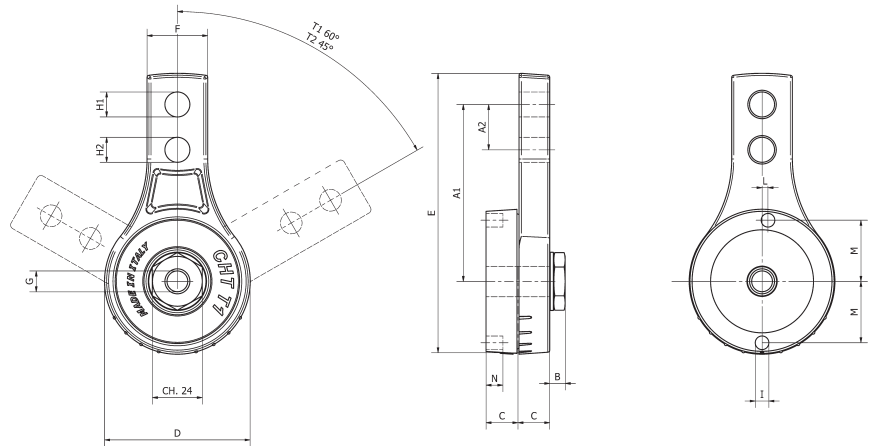
SLIDING BLOCK MATERIAL: POLYAMIDE (PA) - AISI 304 STAINLESS STEEL (SS)





ROTATING TENSIONER CHT - T SS

- Tensioner T SS with two holes for accessory fastening
- Self-lubricating Stainless Steel bushes.
- Supplied with Stainless Steel pin, springs, and grease fitting.
- Material: AISI 304 stainless steel, available in AISI 316 upon request.
- Mirror finish.



CAD drawings available on www.chiaravalli.com
 Availability, quantity and prices on B2B Chiaravalli

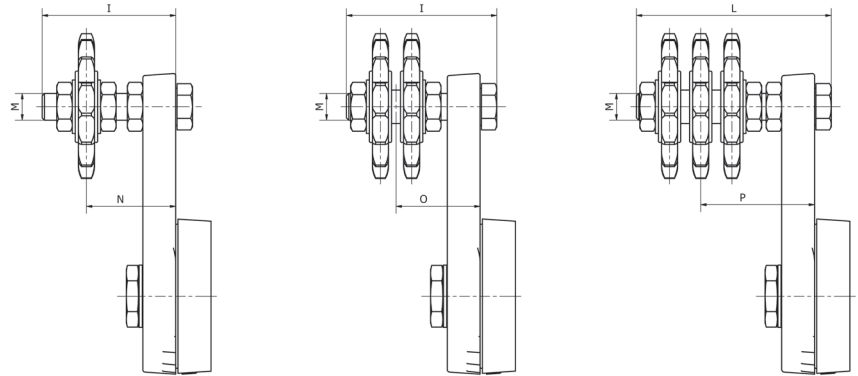
Type	Part Number	Newton H	Newton H	A1	A2	B	C	D	E	F	G	H1	H2	I	L	M	N	Weight kg.
CHT-T1 M8 SS	94T1M8TSS	180	250	86	22	7,45	15	70	135	30	M16	M8	M8	6,5	3,1	29,7	8	0,96
CHT-T1 M12 SS	94T1M12TSS	180	250	86	22	7,45	15	70	135	30	M16	M12	M12	6,5	3,1	29,7	8	0,96
CHT-T2 M12 SS	94T2M12TSS	340	440	100	22	7	18,25	89	164,5	39	M12	M12	M12	8	120	37	10	1,69





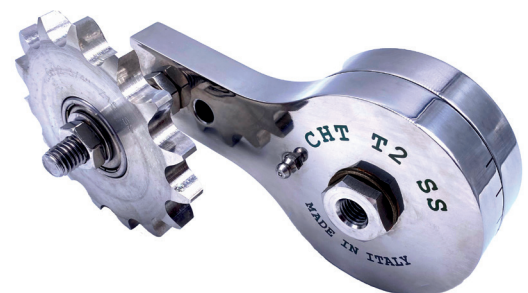
ROTATING TENSIONER CHT - TR SS

- Tensioner T with two holes for accessory fastening
- Self-lubricating Stainless Steel bushing.
- Supplied with Stainless Steel pin, springs, and grease fitting.
- Material: AISI 304 Stainless Steel, available in AISI 316 upon request.
- Mirror finish.



CAD drawings available on www.chiaravalli.com
Availability, quantity and prices on B2B Chiaravalli

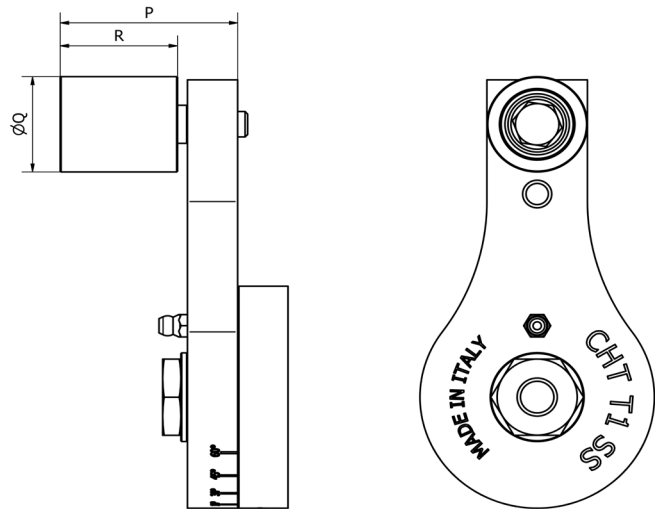
Type	Part Num simple	Part Num double	Part Num triple	Numero denti	Newton H1	Newton H2	I	L	M	N	O	P	Weight simple	Weight double	Weight triple
CHT-TR1 3/8" SS	94TR138STSS	94TR138DTSS	94TR138TTSS	Z15	180	250	60	80	10	40-63	48-57	53-72	1,05	1,19	1,33
CHT-TR1 1/2" SS	94TR112STSS	94TR112DTSS	94TR112TTSS	Z15	180	250	60	80	12	40-63	50-55	57-68	1,161	1,41	1,66
CHT-TR1 5/8" SS	94TR158STSS	94TR158DTSS	94TR158TTSS	Z15	180	250	80	80	12	40-80	54-71	60-65	1,31	1,71	2,122
CHT-TR2 3/4" SS	94TR234STSS	94TR234DTSS	94TR234TTSS	Z15	340	440	80	100	12	46-84	59-82	68-84	2,31	2,92	3,53
CHT-TR2 1" SS	94TR21STSS	94TR21DTSS	94TR21TTSS	Z15	340	440	100	-	12	51-98	65-98	-	2,62	3,55	4,48





ROTATING TENSIONER CHT - TRU SS

- Tensioner T with two holes for accessory fastening
- Self-lubricating Stainless Steel bushing.
- Supplied with Stainless Steel pin, springs, and grease fitting.
- Material: AISI 304 Stainless Steel, available in AISI 316 upon request.
- Mirror finish.



CAD drawings available on www.chiaravalli.com
Availability, quantity and prices on B2B Chiaravalli

Type	Stainless Steel roller	Polyamide roller	Newton H2	Newton H2	P	Q Ø	R	Weight kg. Stainless Steel roller	Weight kg. Polyamide roller
CHT-TRU1 3035 SS	94TRU13035TSS	94TRU13035PSS	180	250	53	30	35	1,07	1,71
CHT-TRU1 4045 SS	94TRU14045TSS	94TRU14045PSS	180	250	66	40	45	1,26	1,09
CHT-TRU1 5050 SS	94TRU15050TSS	94TRU15050PSS	180	250	67	50	50	1,53	1,14
CHT-TRU2 5050 SS	94TRU25050TSS	94TRU25050PSS	340	440	70	50	50	2,31	1,92
CHT-TRU2 6060 SS	94TRU26060TSS	94TRU26060PSS	340	440	80	60	60	2,767	2,03

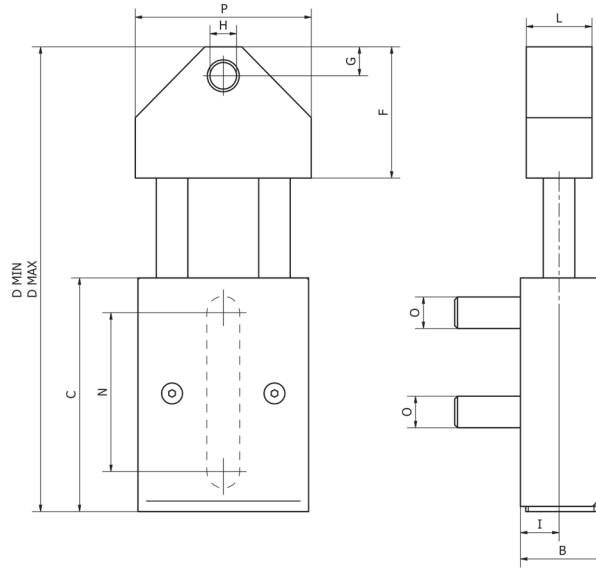




LINEAR TENSIONER CHT - AS SS

- Tensioner AS SS with head for accessory fastening.
- Self-lubricating Stainless Steel bushings.
- Force expressed in N is obtained through "pressure" tests performed in the laboratory.
- With loop cover plate.
- Material: AISI 304 Stainless Steel, available in AISI 316 upon request.
- Mirror finish.

CAD drawings available on www.chiaravalli.com
Availability, quantity and prices on B2B Chiaravalli



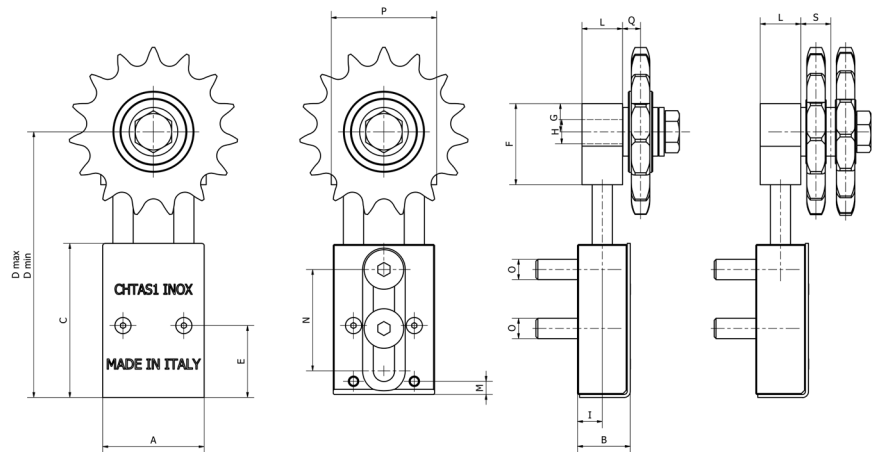
Type	Part Number	Newton	A	B	C with metal sheet	C without metal sheet	D MAX without metal sheet	D MIN with metal sheet	D MAX with metal sheet	E	F	G	H	I	L	M with metal sheet	M without metal sheet	N	O	P	Weight kg.
AS1 M8 SS	94AS18TSS	280	50	26,5	76	74	117	119	148	34	39,75	13,9	M8	12,2	20	8,5	6,5	50	M 10x45	52	0,82
AS1 M10 SS	94AS110TSS	280	50	26,5	76	74	117	119	148	34	39,75	13,9	M10	12,2	20	8,5	6,5	50	M 10x45	52	0,82
AS1 M12 SS	94AS112TSS	280	50	26,5	76	74	117	119	148	34	39,75	13,9	M12	12,2	20	8,5	6,5	50	M 10x45	52	0,82
AS2 M12 SS	94AS212TSS	460	65	31,5	89	87	141	143	177	45	50	11	M12	14,7	25	8	6	60,5	M 12x55	67	1,5
AS3 M12 SS	94AS312TSS	690	80	36,5	106	104	173	175	211	56	60	11,3	M12	17,5	30	9	7	73	M 14x60	80	2,7





LINEAR TENSIONER CHT - ASR SS

- Tensioner AS INOX with head for accessory fastening.
- Self-lubricating Stainless Steel bushes.
- Force expressed in N is obtained through "pressure" tests performed in the laboratory.
- With loop cover plate.
- Material: AISI 304 Stainless Steel, available in AISI 316 upon request.
- Mirror finish.



CAD drawings available on www.chiaravalli.com
Availability, quantity and prices on B2B Chiaravalli

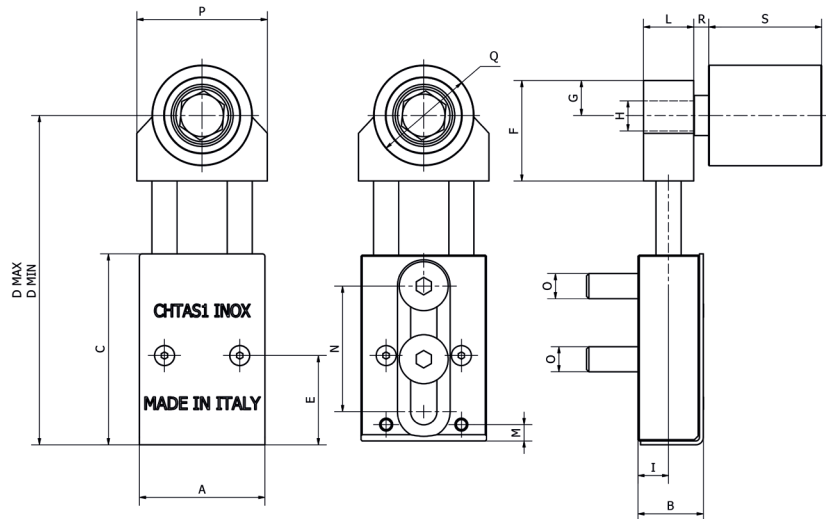
Type	Part Number	Part Num double	Newton	A	B with metal sheet	B without metal sheet	C with metal sheet	C without metal sheet	D MIN	D MAX	L	M with metal sheet	M without metal sheet	N	O	P	Q MIN single	Q MAX single	S MIN double	S MAX double
ASR1-3/8" Z15 SS	94ASR138STSS	94ASR138DTSS	280	50	26,5	24,5	76	74	103,1	132,1	20	8,5	6,5	50	M10 x 45	52	20,73	26	25,39	25,39
ASR1-1/2" Z15 SS	94ASR112STSS	94ASR112DTSS	280	50	26,5	24,5	76	74	103,1	132,1	20	8,5	6,5	50	M10 x 45	52	20,98	24,76	27,88	27,88
ASR1-5/8" Z15 SS	94ASR158STSS	94ASR158DTSS	280	50	26,5	24,5	76	74	103,1	132,1	20	8,5	6,5	50	M10 x 45	52	22,52	44,86	29,65	36,2
ASR2-5/8" Z15 SS	94ASR258STSS	94ASR258DTSS	460	65	32	30	89	87	130	164	25	8	6	60,5	M12 x 55	67	19,18	39,88	30,52	31,9
ASR2-3/4" Z15 SS	94ASR234STSS	94ASR234DTSS	460	65	32	30	89	87	130	164	25	8	6	60,5	M12 x 55	67	22,85	39,9	30,23	30,23
ASR3-1" Z12 SS	94ASR31STSS	94ASR31DTSS	690	80	37	106	106	104	161,7	197,7	30	9	7	73	M14 x 60	80	28,55	53,55	38,08	38,08





LINEAR TENSIONER CHT - ASRU SS

- Tensioner AS SS with head for accessory fastening.
- Self-lubricating Stainless Steel bushes.
- Force expressed in N is obtained through "pressure" tests performed in the laboratory.
- With loop cover plate.
- Material: AISI 304 stainless steel, available in AISI 316 upon request.
- Mirror finish.



CAD drawings available on www.chiaravalli.com
 Availability, quantity and prices on B2B Chiaravalli

Tipo	Codice	Newton	A	B with metal sheet	B without metal sheet	C with metal sheet	C without metal sheet	D MIN	D MAX	E	F	G	H	I	L	M with metal sheet	M without metal sheet	N	O	P	Q	R	S
CHT-ASRU1 3035 SS	94021235TSS	280	50	26,5	24,5	76	74	103,1	132,1	34	39,75	13,9	M8	12,2	20	8,5	6,5	50	M10 x 45	52	30	3,3	35
CHT-ASRU1 4045 SS	94021245TSS	280	50	26,5	24,5	76	74	103,1	132,1	34	39,75	13,9	M10	12,2	20	8,5	6,5	50	M10 x 45	52	40	6,4	45
CHT-ASRU1 5050 SS	94021250TSS	280	50	26,5	24,5	76	74	103,1	132,1	34	39,75	13,9	M12	12,2	20	8,5	6,5	50	M10 x 45	52	50	2,5	50
CHT-ASRU2 5050 SS	94022250TSS	460	65	32	30	89	87	130	164	40	50	11	M12	14,7	25	8	6	60,5	M12 x 55	67	50	2,5	50
CHT-ASRU3 5050 SS	94023250TSS	690	80	37	35	106	104	161,7	197,7	55	60	11,3	M12	17,5	30	9	7	73	M14 x 60	80	50	2,5	50
CHT-ASRU3 6060 SS	94023260TSS	690	80	37	106	106	104	161,7	197,7	55	60	11,3	M12	17,5	30	9	7	73	M14 x 60	80	60	2,5	60

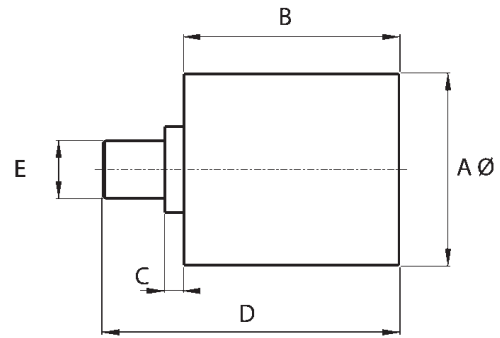




BELT TENSIONER ROLLER TYPE CHT - RU SS

- Belt tensioner rollers SS provided with screws and bearings.

- Available in aluminium, galvanized steel, plastic or Stainless Steel



CAD drawings available on www.chiaravalli.com
Availability, quantity and prices on B2B Chiaravalli

Type	Part Num stainless steel	Part Num polyamide	A Ø	B	C	D	E	Weight kg. Stainless Steel	Weight kg. Polyamide
RU 3035	9403035SS	94040135SS	30	35	2	51	M8	0,15	0,07
RU 4045	9404045SS	94040145SS	40	45	6	67	M10	0,33	0,18
RU 5050	9405050SS	94040150SS	50	50	2,5	70	M12	0,60	0,23
RU 6060	9406060SS	-	60	60	2,5	80	M12	1,08	-
RU 6060	-	94040160SS	60	60	8	85	M12	-	0,34
RU 8080	9408080SS	94040180SS	80	80	2,5	100	M12	2,70	0,60
RU 8090	9408090SS	94040190SS	80	90	8,5	125	M20	-	1,10
RU 90135	94090135SS	940401135SS	90	135	8,5	170	M20	-	1,70

AVAILABLE UPON REQUEST IN AISI 316

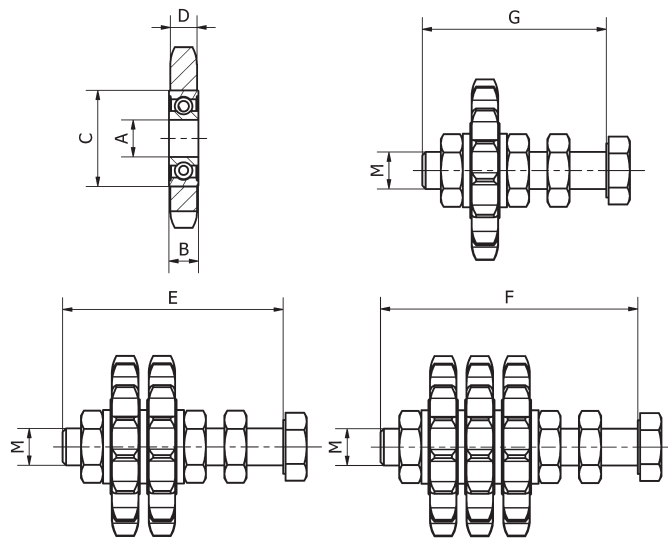
ROLLER MATERIAL: POLYAMIDE (PA) - AISI 304 STAINLESS STEEL (SS)





CHAIN TENSIONER SPROCKET CHT - R SS

- Galvanized chain tensioner sprockets SS complete with self-lubricating 2Z ball bearings and accessories for mounting on CHT-L, CHT-T, CHT-AS, and CHT-E tensioners.



CAD drawings available on www.chiaravalli.com
Availability, quantity and prices on B2B Chiaravalli

Type	Part Num simple	Part Num double	Part Num triple	Chain pitch	Z Teeth	A	B	C	D h14	M	G	E	F
R	94060911SS	94060912SS	-	3/8"	15	10	8	26	5,3	M10	55	55	-
R	94060901SS	94060902SS	94060903SS	3/8"	15	12	8	28	5,3	M12	60	60	80
R	94061201SS	94061202SS	94061203SS	1/2"	15	12	10	32	7,2	M12	60	60	80
R	94061211SS	94061212SS	-	1/2"	15	10	9	30	7,2	M10	55	60	-
R	94061501SS	94061502SS	94061503SS	5/8"	15	12	10	32	9,1	M12	80	80	80
R	-	-	94061523SS	5/8"	15	20	12	42	9,1	M20	-	-	120
R	94061901SS	94061902SS	94061903SS	3/4"	15	12	12	37	11,1	M12	80	80	100
R	94061921SS	94061922SS	94061923SS	3/4"	15	20	14	47	11,1	M20	100	120	120
R	94062501SS	94062502SS	-	1"	12	12	12	37	16,2	M12	100	100	-
R	94062521SS	94062522SS	94062523SS	1"	12	20	15	47	16,2	M20	100	120	160
R	94063121SS	94063122SS	94063123SS	1" 1/4	13	20	15	52	18,5	M20	100	140	160
R	94063821SS	94063822SS	94063823SS	1" 1/2	11	20	15	52	24,1	M20	140	140	180

Type	Part Num simple	Weight kg. simple	Part Num double	Weight kg. double	Part Num triple	Weight kg. triple
R	94060911SS	0,15	94060912SS	0,23	-	-
R	94060901SS	0,13	94060902SS	0,21	94060903SS	0,26
R	94061201SS	0,18	94061202SS	0,35	94061203SS	0,50
R	94061211SS	0,20	94061212SS	0,37	-	-
R	94061501SS	0,35	94061502SS	0,60	94061503SS	0,95
R	-	-	-	-	94061523SS	1,30
R	94061901SS	0,55	94061902SS	1,00	94061903SS	1,40
R	94061921SS	0,85	94061922SS	1,35	94061923SS	1,60
R	94062501SS	0,90	94062502SS	1,70	-	2,50
R	94062521SS	1,00	94062522SS	1,90	94062523SS	2,70
R	94063121SS	2,00	94063122SS	3,60	94063123SS	5,20
R	94063821SS	2,35	94063822SS	4,00	94063823SS	5,80



AVAILABLE UPON REQUEST IN AISI 316



NOTES

Lined area for taking notes.

NOTES



CONDIZIONI GENERALI DI VENDITA

- 1) ORDERS** - Orders for standard and special materials must always refer to the offers of CHIARAVALLI GROUP S.p.A. Orders are binding for the customer. Once the processing has started, cancellations or reductions of the order are not accepted unless the customer compensates for the material and processing costs incurred up to the moment of suspension. The quantity shipped may vary by $\pm 5\%$ compared to the ordered quantity.
- 2) PRICES** - Prices are those in effect at the time of the order. All prices are for goods delivered Franco Premezzo, packaging excluded. If there are increases in material or other production costs during the supply, CHIARAVALLI GROUP S.p.A. has the right to adjust the prices, including for current orders, to account for the increases.
- 3) DELIVERY TERMS** - Only the delivery terms indicated by CHIARAVALLI GROUP S.p.A. are valid. However, they are to be considered as indicative. In cases of difficulty in sourcing materials, strikes, or force majeure events, the delivery terms are automatically extended without CHIARAVALLI GROUP S.p.A. being obliged to provide any compensation. The customer is obliged to collect the ordered special material upon its readiness.
- 4) SHIPMENTS** - Shipments are at the expense of the customer and are made at their own risk. Claims for any shortages must be made within 8 days of receipt of the goods. If it is agreed that the cost of transportation is borne, even partially, by CHIARAVALLI GROUP S.p.A., it reserves the right to choose the most economical means of shipment.
- 5) PACKAGING** - Packaging is invoiced at cost price.
- 6) RETURNS** - Returns of goods for any reason are not accepted unless previously authorized and with packaging, customs clearance, and return at the buyer's expense. A debit note will be issued to cover warehouse and administrative costs, equivalent to 15% of the value of the returned goods.
- 7) WARRANTY** - CHIARAVALLI GROUP S.p.A. undertakes to repair or replace free of charge those parts that it recognizes as defective. The disputed goods must be returned to the premises of CHIARAVALLI GROUP S.p.A., free of charge. The warranty is void if the parts returned as defective have been repaired or tampered with. Repairs of defective parts carried out by the customer will be recognized only upon authorization from CHIARAVALLI GROUP S.p.A. and after its approval of the cost estimate. CHIARAVALLI GROUP S.p.A. assumes no responsibility or acknowledges any compensation for damages that may occur during the use of its products, even if defective. Warranty is not granted for loss of lubricant caused by normal wear of the sealing rings.
- 8) LIABILITY** - CHIARAVALLI GROUP S.p.A. assumes no responsibility or acknowledges any compensation for damages that may occur during the use of its products, even if defective. CHIARAVALLI GROUP S.p.A. declines all responsibility in the execution of customer's drawings subject to any patents.
- 9) PAYMENTS** - Payments made in the agreed manner and within the agreed terms will be considered valid. After the payment deadline, CHIARAVALLI GROUP S.p.A. will charge late payment interest at a rate 3% higher than the legal rate, without prejudice to the right to demand payment. In case of delayed or non-payment by the customer, CHIARAVALLI GROUP S.p.A. reserves the right to suspend deliveries of current orders or to demand advance payment without granting any compensation or reimbursement to the customer. Any disputes regarding materials in the process of manufacture or already in the possession of the customer do not exempt the customer from making payment on the due date and for the full amount of the invoice without any deductions.
- 10) OWNERSHIP** - All shipped goods remain the property of CHIARAVALLI GROUP S.p.A. until full payment of its invoices.
- 11) JURISDICTION** - Any dispute related to commercial relationships with CHIARAVALLI GROUP S.p.A. will be under the jurisdiction of the Court of Busto Arsizio. CHIARAVALLI GROUP S.p.A. declines any responsibility for any errors that may have occurred in the compilation of this catalog and reserves the right to make any modifications requested by construction requirements or the product's evolutionary development to the drawings and dimensions of the listed products.



*Cavaria con Premezzo
21044 - Varese - ITALY
Via per Cedrate, 476
Tel. +39 - 0331 214511*

www.chiaravalli.com

