



CLAMPING AND BRAKING ELEMENTS FOR LINEAR GUIDES AND RODS

PNEUMATIC AND MANUAL UNITS

2023/2024



 **ERRE DI**

ERRE.DI. Automation has been manufacturing and supplying quality automation components and systems for over 20 years.

Within its own facilities, ERRE.DI. is able to design, produce and test an extensive range of clamping and braking elements for linear guides and rods.

Through its new automation line, ERRE.DI. can easily meet the market requirements for quality and safety, responding to every technical and design problem thanks to the expertise of its engineering department.

In addition to the standard production, ERRE.DI. provides tailor-made solutions to best meet the customers' needs.

High technology production, reliability of components and technical support make ERRE.DI. the ideal partner for every industrial sector, including aerospace, robotics, machine tool, automotive, industrial automation, packaging and material handling.

CLAMPING AND BRAKING ELEMENTS FOR LINEAR GUIDES AND RODS

Pneumatic and Manual Units

Following an adequate period of design, analysis, development and testing, ERRE.DI. is able to offer clamping and braking elements for linear guides and rods with the following characteristics:

- High clamping force with minimum space required
- Easy installation
- Both elements working in single or double effect need the same installation space
- The "Normally Closed" devices can be used as safety elements (clamping without air pressure)
- High switching speed Open/Closed
- Italian technology

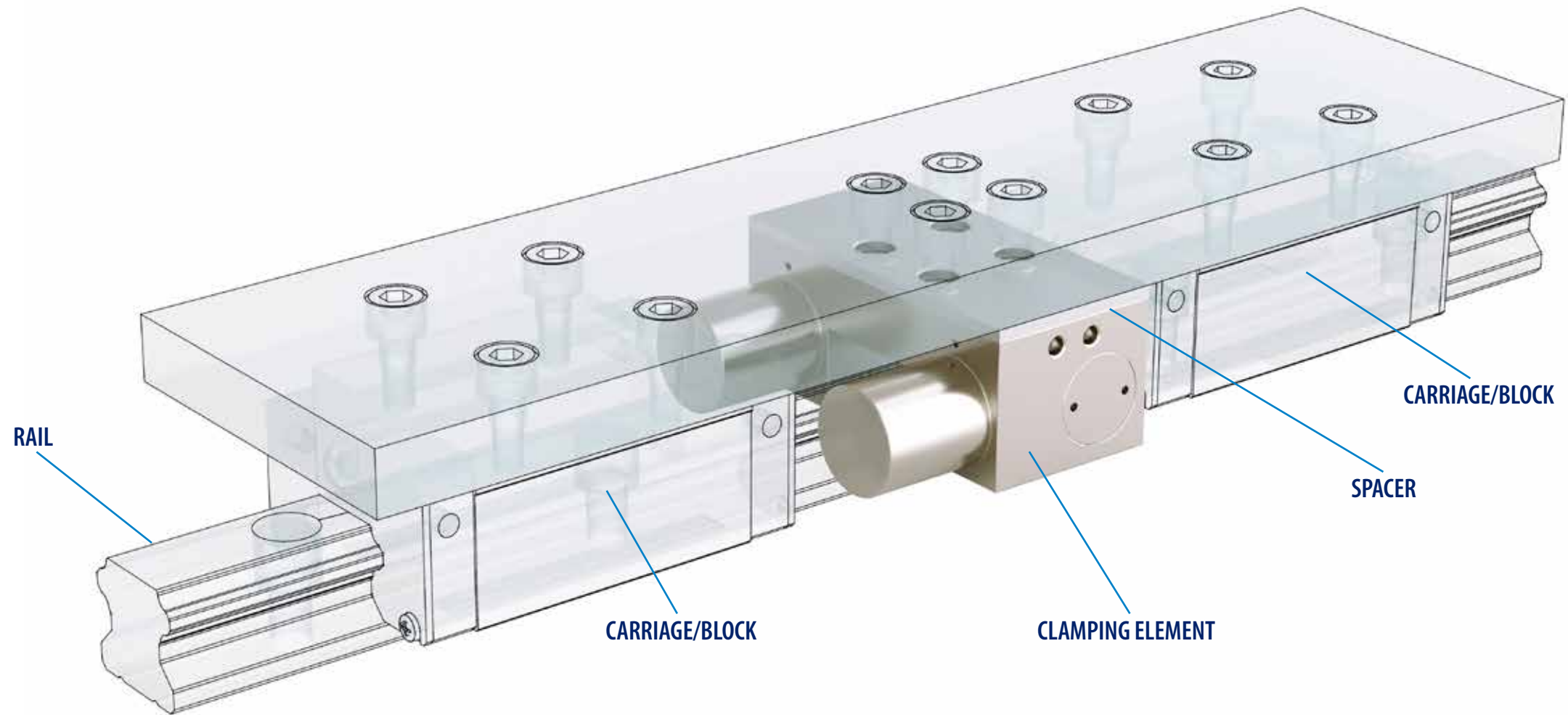
All the clamping and braking elements undergo galvanic treatments to protect against corrosion: hard anodizing for aluminum elements and electrolytic nickel plating bath for steel elements.

The clamping elements (M or D Operating Type) satisfy all the essential requirements of safety of the Directive 2006/42/EC. Harmonised standard applied: EN ISO 13849.

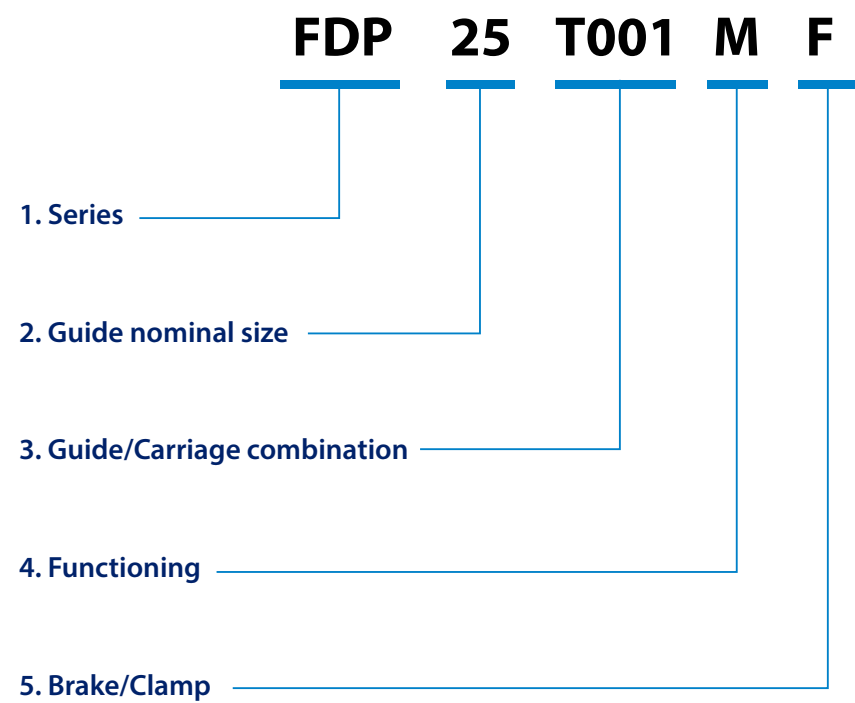
FIELDS OF APPLICATION:

- Woodworking machine
- Metal working machine
- Glass working machine
- Packaging machinery
- Automation and Robotics
- Handling systems



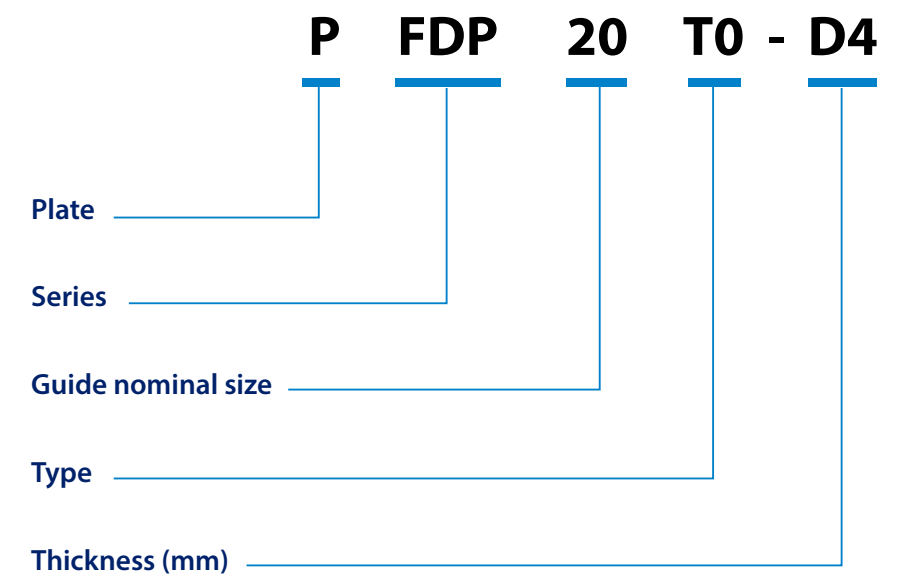


Codes for clamping and braking elements are composed as follows:



Clamping and braking elements can optionally be supplied with a "spacer" plate made in Steel, used to align the height of the element with the height of the sliding guides.

Codes for the spacer are composed as follows:



1.

Series codes are the following:

F	FDI	FBS
FC	FMC	FBC
FDP	FMCE	FMN-M
FDPH	FMN	
FDPM	FCMN	

2.

Nominal guide size indicates the size of the guide rail on which the element is mounted. It is also the size of the element.

3.

The Guide/Carriage combination identifies the clamping element associated with the guide/carriage

4.

The code of the Pneumatic functioning type parameter is the following:

S	Normally open – Air to close
M	Normally closed – Air to open
E	Normally open – Air to close and to open
D	Normally closed – Air to open and to close

5.

The Working type parameter defines the clamping element:

F	Dynamic braking element (otherwise it is clamping).
S	With sensor integration of a proximity sensor in order to verify the opening status of the element. The sensor is an inductive sensor in cylindrical stainless steel housing M8 (PNP or NPN). It comes with a connector and a cable. Working temperature: -25°C ÷ +75°C.
P	Element working with pressure less than 6 bar, but more than 4.5 bar
Q	Element working with pressure from 4.5 bar to 4 bar
R	Element working with pressure less than 4 bar
















RAILS

ABBA	ISB	RUBIX
AIRTAC	LEANTECHNIK	SBC LINEAR
ALULIN	LIMON	SCHNEEBERGER
BOSCH-REXROTH	MISUMI	SNR
CPC	MOTOPRECISION	STAF-NTN-SNR
EWELLIX (SKF)	Nippon Bearing	TBI THK
FRANKE	NITEK	THOMSON
HEPCO	NORELEM	THREE-R
HIWIN	NSK	WON ST
IKO	PMI	
INA	ROLLON	
IRSO	ROSA	

CONFIGURATOR



ELEMENTS FOR LINEAR GUIDES

	SERIES	CHARACTERISTICS	FUNCTIONING	NORMALLY CLOSED	BRAKING	SENSOR	PAG.
	F	STANDARD CLAMPING ELEMENT GREAT HOLDING FORCE/DIMENSION RATIO	PNEUMATIC	YES	YES	YES	10
	FDP	DOUBLE PISTON SYSTEM. HIGH HOLDING FORCE SMALL DIMENSIONS	PNEUMATIC	YES	YES	YES	12
	FDPH	POWERED DOUBLE PISTON SYSTEM EXTREMELY HIGH HOLDING FORCE SMALL DIMENSIONS	PNEUMATIC	YES	YES	YES	14
	FDPM	CLAMPING AND BRAKING ELEMENT HIGH CLAMPING FORCE SHAPED PROFILE	PNEUMATIC	YES	YES	YES	16
	FDI	CLAMPING AND BRAKING ELEMENT WITH INTEGRATED SPRINGS FURTHER INCREASE OF CLAMPING FORCE COMPARED TO FDPM	PNEUMATIC	YES	YES	YES	18
	FMC	MONOCYLINDER CLAMPING AND BRAKING ELEMEN. HIGH CLAMPING FORCE. SHAPED PROFILE	PNEUMATIC	YES	YES	YES	20
	FMCE	ELECTRIC CLAMPING ELEMENT	ELECTRIC	YES	NO	YES	22
	FMN	MANUAL ELEMENT PRACTICAL AND RELIABLE NEW ERGONOMIC DESIGN	MANUAL	NO	NO	NO	24
	FMN-M	MANUAL ELEMENT FOR MINIATURE GUIDE PRACTICAL AND RELIABLE NEW ERGONOMIC DESIGN	MANUAL	NO	NO	NO	26
	FC	SAME HIGH PERFORMANCES AS F SERIES FOR ROUND GUIDES	PNEUMATIC	YES	YES	YES	28
	FCMN	MANUAL ELEMENT FOR ROUND GUIDES PRACTICAL AND RELIABLE NEW ERGONOMIC DESIGN	MANUAL	NO	NO	NO	30
	FBS	DOUBLE PISTON SYSTEM HIGH HOLDING FORCE FOR ROUND GUIDES	PNEUMATIC	YES	YES	YES	32
	FBC	CYLINDER BLOCKING ELEMENT HIGH HOLDING FORCE FOR LINEAR GUIDES AND RODS OF PNEUMATIC CYLINDERS	PNEUMATIC	YES	YES	YES	34
	FMV	CLAMPING SYSTEM WITH ONLY ONE CONTACT ELEMENT SMALL DIMENSIONS DIFFERENT MODES OF USE	PNEUMATIC	YES	YES	YES	36
	F_SP	EASY TO ASSEMBLE THANKS TO THE DECOMPOSABLE SYSTEM INDEPENDENT PISTON SYSTEM SHAPED PROFILE	PNEUMATIC	YES	NO	NO	38

ELEMENTS FOR ROUND GUIDES AND RODS

SPECIAL ELEMENTS

F Series - Pneumatic clamping element

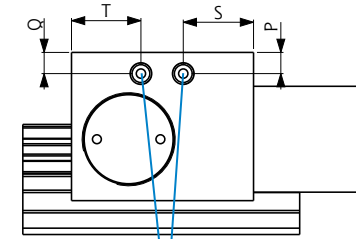
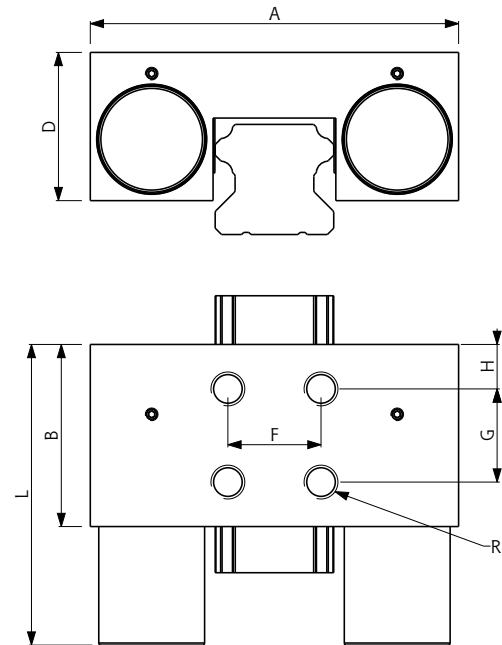
The tightening is done using an amplification system with inclined plane.
Made in construction steel, for high axial and horizontal stiffness.

F##--- S
F##--- E



Guide size **15 ÷ 65 mm**
Working type **Norm. Open**
Body **Steel**
Operating Temperature **20°C ÷ +80°C**
Operating Pressure **5,5 ÷ 8 bar**
Switching time **40 ÷ 60 mSec**
Contact parts Hardness **60 ÷ 62 HRC**

- ◆ Small dimensions.
- ◆ High clamping force.
- ◆ Precise positioning
- ◆ High stiffness
- ◆ Can be supplied complete with proximity sensor.



M5 AIR CONNECTION
we recommend the use of compressed air hose $\varnothing 6 \times 4$

F##--- M
F##--- D



Guide size **15 ÷ 65 mm**
Working type **Norm. Closed**
Body **Steel**
Operating Temperature **20°C ÷ +80°C**
Operating Pressure **5,5 ÷ 8 bar**
Switching time **40 ÷ 60 mSec**
Contact parts Hardness **60 ÷ 62 HRC**

- ◆ Clamping element without the use of energy.
- ◆ Includes springs for closing, while the pressure is for opening
- ◆ Can be supplied complete with proximity sensor.

Type	Size	Holding Force [N]				A [mm]	B [mm]	D [mm]	F [mm]	G [mm]	H [mm]	L [mm]	P [mm]	Q [mm]	R	S [mm]	T [mm]
		M	S	E	D												
F	15 S0	400	650	650	1050	57	43	21	15	15	12.5	62	5	15	M4x5	37	6
F	15 S5	400	650	650	1050	55	39	20.8	15	15	8.5	58	5.4	16.3	M4x5	37	4.5
F	15 T0	400	650	650	1050	60	43	21.5	15	15	12.5	62	5.5	15.5	M4x5	37	6
F	15 T5	400	650	650	1050	55	39	21.5	15	15	8.5	58	5.5	17	M4x5	37	4.5
F	20 S0	600	1000	1000	1600	68	39	27	20	20	14	61	5	7	M5x5	16.9	5.5
F	20 S5	600	1000	1000	1600	64.1	39	27	20	20	10	61	5	6.5	M5x5	16.9	5
F	20 T0	600	1000	1000	1600	70	39	25.5	20	20	14	61	5	5	M5x5	18.5	5
F	20 T5	600	1000	1000	1600	66	39	25.5	20	20	14	61	5	5	M5x5	18.5	5
F	25 S0	750	1200	1200	1950	75	39	32.5	20	20	14	63.5	6.6	9.5	M6x8	19.5	5.5
F	25 S5	750	1200	1200	1950	75	35	32.5	20	20	10	56	6.6	9.5	M6x8	19.5	5
F	25 T0	750	1200	1200	1950	77	39	28	20	20	14	63.5	5	6	M6x8	19	5.5
F	25 T5	750	1200	1200	1950	75	35	28	20	20	10	56	5	6	M6x8	19	5
F	30 S0	1050	1750	1750	2800	87	43	38.5	22	22	10.5	71	8.5	8.5	M8x8	16.5	16.5
F	30 S5	1050	1750	1750	2800	90	39	38.5	22	22	8.5	68	8.5	8.5	M8x8	16.5	14.5
F	30 T0	1050	1750	1750	2800	87	43	35	22	22	10.5	71	5	5	M8x8	16.5	16.5
F	30 T5	1050	1750	1750	2800	90	39	35	22	22	8.5	68	5	5	M8x8	16.5	14.5
F	35 S0	1250	2000	2000	3250	106	46	42.5	24	24	7.5	78	5.5	11	M8x15	23	7
F	35 S5	1250	2000	2000	3250	100	39	42	24	24	7.5	59	10.5	12.5	M8x15	23	4.5
F	35 T0	1250	2000	2000	3250	106	46	42.5	24	24	7.5	78	12	11	M8x15	23	7
F	35 T5	1250	2000	2000	3250	100	39	36.5	24	24	7.5	59	5	7	M8x15	23	4.5
F	45 S0	1500	2300	2300	3800	116	50	52	26	26	12	82	15	8	M10x19	20.5	21
F	45 T0	1500	2300	2300	3800	120	50	52	26	26	12	82	15	8	M10x19	20	20
F	45 T5	1500	2300	2300	3800	120	49	43.5	26	26	11.5	81	6.5	6.5	M10x18	20	20
F	55 S0	2000	3000	3000	5000	128	49	59	30	30	9.5	82	17	10	M10x19	18.5	18.5
F	55 S5	2000	3000	3000	5000	128	49	53	30	30	9.5	81	16	9	M10x19	18.5	20
F	55 T0	2000	3000	3000	5000	136	49	54	30	30	9.5	82	13	8	M10x19	18.5	18.5
F	65 T0	2000	3000	3000	5000	146	49	67	50	30	9.5	82	26	21	M10x20	18.5	18.5

FDP Series - Double piston element

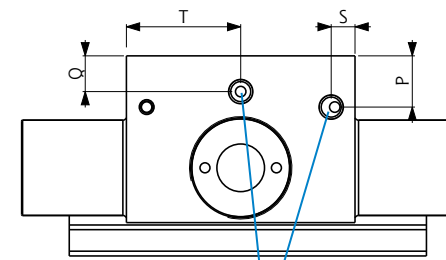
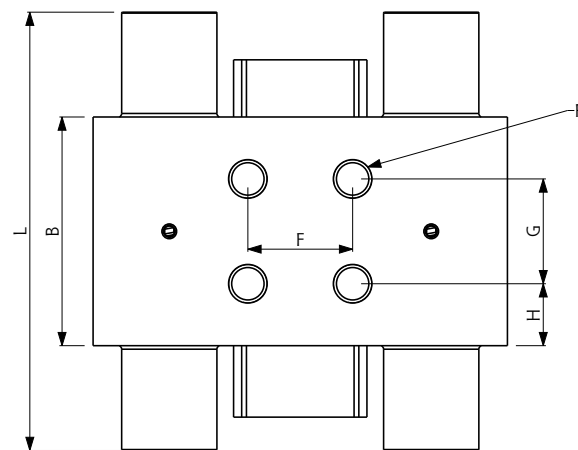
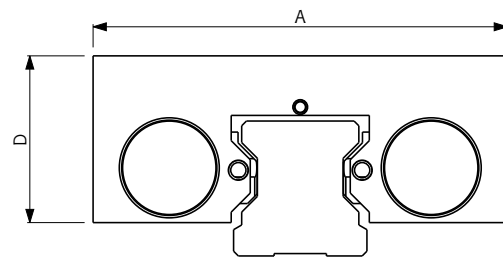
New line created to achieve a high clamping force in small spaces.
Dual Locking Action made by a pair of pistons for each tightening part.

FDP#--- S
FDP#--- E



Guide size **20 ÷ 45 mm**
Working type **Norm. Open**
Body **Steel**
Operating Temperature **-20°C ÷ +80°C**
Operating Pressure **5,5 ÷ 8 bar**
Switching time **40 ÷ 60 mSec**
Contact parts Hardness **60 ÷ 62 HRC**

- ◆ Double piston system: high clamping force.
- ◆ Small size.
- ◆ Short reaction time.
- ◆ Can be supplied complete with proximity sensor.



**M5
AIR CONNECTION**
we recommend
the use of compressed
air hose \varnothing 6x4

FDP#--- M
FDP#--- D



Guide size **20 ÷ 45 mm**
Working type **Norm. Closed**
Body **Steel**
Operating Temperature **-20°C ÷ +80°C**
Operating Pressure **5,5 ÷ 8 bar**
Switching time **40 ÷ 60 mSec**
Contact parts Hardness **60 ÷ 62 HRC**

- ◆ Clamping element without the use of energy.
- ◆ High clamping force thanks to the double piston system
- ◆ Small size.
- ◆ Short reaction time.
- ◆ Can be supplied complete with proximity sensor.

Type	Size	Holding Force [N]				A [mm]	B [mm]	D [mm]	F [mm]	G [mm]	H [mm]	L [mm]	P [mm]	Q [mm]	R	S [mm]	T [mm]
		M	S	E	D												
FDP	20 S	800	1300	1300	2100	70	51	27	20	27	12	89	7.5	5	M5x6	15	10
FDP	20 T	800	1300	1300	2100	73	51	25.5	20	27	12	89	5.5	5	M5x6	15	10
FDP	25 S	1200	2000	2000	3200	74	51	32.5	20	20	15.5	95	5.25	8.75	M6x7	25.5	5.5
FDP	25 T	1200	2000	2000	3200	78	51	30.5	20	20	15.5	95	5	6.5	M6x7	30.5	5.5
FDP	30 S	1200	2000	2000	3200	87	48	35	22	22	13	92	7.5	11	M8x10	24	5
FDP	30 T	1200	2000	2000	3200	89	48	33	22	22	13	92	6	9.5	M8x10	19.5	6
FDP	35 S	1500	2200	2200	3700	94	49	44	24	24	12.5	98	13	10	M8x15	14	19.5
FDP	35 T	1500	2200	2200	3700	100	49	36.5	24	24	12.5	98	7.5	5.25	M8x15	30.5	4.5
FDP	45 S	2000	3000	3000	5000	107.8	56	52	26	26	15	114	16.55	12.55	M10x17	28	4.5
FDP	45 T	2000	3000	3000	5000	120	56	43.5	26	26	15	114	13	9.5	M10x17	22	5

FDPH Series - Powered double piston element

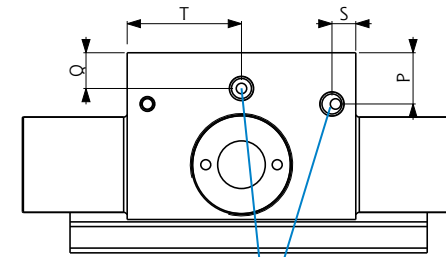
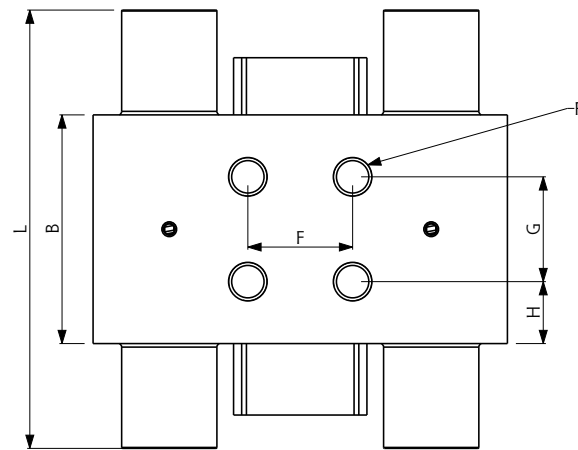
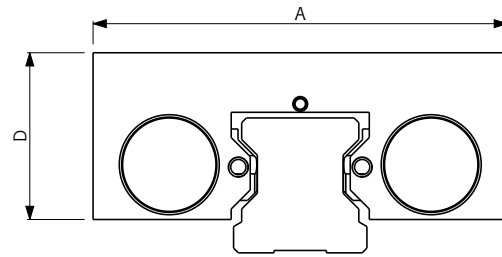
New line created to have a high clamping force in small spaces.
Powered Dual Locking Action: with a pair of pistons for each tightening part.
The clamping force of this element is double that of F line.

FDPH##--- S
FDPH##--- E



Guide size **15 ÷ 55 mm**
Working type **Norm. Open**
Body **Steel**
Operating Temperature **-20°C ÷ +80°C**
Operating Pressure **5,5 ÷ 8 bar**
Switching time **40 ÷ 60 mSec**
Contact parts Hardness **60 ÷ 62 HRC**

- ◆ Dual piston system: high clamping force
- ◆ Small size
- ◆ Short reaction time
- ◆ Can be supplied complete with proximity sensor.



M5
AIR CONNECTION
we recommend
the use of compressed
air hose ø 6x4

FDPH##\$ M
FDPH##\$ D



Guide size **15 ÷ 55 mm**
Working type **Norm. Closed**
Body **Steel**
Operating Temperature **-20°C ÷ +80°C**
Operating Pressure **5,5 ÷ 8 bar**
Switching time **40 ÷ 60 mSec**
Contact parts Hardness **60 ÷ 62 HRC**

- ◆ Locking element without the use of energy
- ◆ High clamping force thanks to a double piston system
- ◆ Small size
- ◆ Short reaction times.
- ◆ Can be supplied complete with proximity sensor.

Type	Size	Holding Force [N]			D	A [mm]	B [mm]	D [mm]	F [mm]	G [mm]	H [mm]	L [mm]	P [mm]	Q [mm]	R	S [mm]	T [mm]
		M	S	E													
FDPH	15 S	800	1300	1300	2100	61	56	21.5	15	15	20.5	94	5	5	M4x4	16.2	16.2
FDPH	15 T	800	1300	1300	2100	61	56	21.5	15	15	20.5	94	5	5.2	M4x4	17	17
FDPH	20 S	1200	2000	2000	3200	70	51	27	20	27	12	95	6.5	6.5	M5x6	16.1	15.8
FDPH	20 T	1200	2000	2000	3200	73	51	25.5	20	27	12	95	5	5	M5x6	16.1	15.8
FDPH	25 S	1500	2400	2400	3900	75	51	32.5	20	20	15.5	100	5	7.25	M6x7	25.5	5
FDPH	25 T	1500	2400	2400	3900	78	51	32.5	20	20	15.5	100	5	7.25	M6x7	20.5	5
FDPH	30 S	2100	3500	3500	5600	90	50	38	22	22	14	108	9	5	M8x10	12	25
FDPH	30 T	2100	3500	3500	5600	93	50	38	22	22	14	108	9	5	M8x10	20.5	5
FDPHL	35 S	2100	3500	3500	5600	97	50	40	24	24	13	108	11	8	M8x15	25	12
FDPH	35 S	2500	4000	4000	6500	101	57.6	42	24	24	16.8	97/6	10.5	6.5	M8x15	28.8	5
FDPHH	35 S	3000	4600	4600	7600	106	57.6	43.5	24	24	16.8	121.6	10.5	6.5	M8x15	28.8	6
FDPH	35 T	2500	4000	4000	6500	109	60.8	42.3	24	24	18.4	124.6	7	5	M8x16	30.4	5
FDPH	45 S	3000	4600	4600	7600	120	60.8	55	26	26	17.4	124.8	12	7	M10x18	30.4	5
FDPH	45 T	3000	4600	4600	7600	120	60.8	49.3	26	26	17.4	124.8	12.3	7	M10x19	30.4	5
FDPH	55 S	4000	6000	6000	10000	128	60	59	30	30	15	126	18	8	M10X20	30	23.5
FDPH	55 T	4000	6000	6000	10000	136	60	54	30	30	15	126	13	8	M10X20	27	23.5

FDPM Series - Clamping and braking element with integrated springs

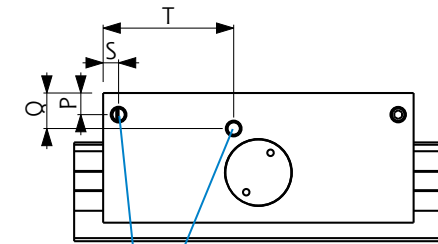
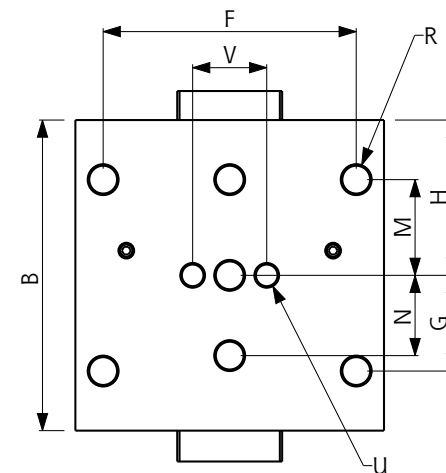
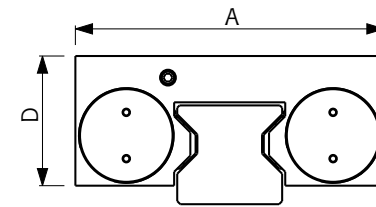
Braking element with high clamping force.
Material and shape of contact parts allow high clamping force without damaging the rail.

FDPM#--- M
FDPM#--- D



Guide size **25 ÷ 35 mm**
Working type **Norm. Closed**
Body **Steel**
Operating Temperature **-20°C ÷ 80°C**
Operating Pressure **5,5 ÷ 8 bar**
Switching time **40 ÷ 60 mSec**
Contact parts Hardness **60 ÷ 62 HRC**

- ◆ Locking element without the use of energy
- ◆ High clamping force thanks to a double piston system
- ◆ Short reaction times
- ◆ Compact and rigid body
- ◆ Clamping in case of pressure drop
- ◆ Working in emergency stop



M5
AIR CONNECTION
we recommend
the use of compressed
air hose \varnothing 6x4

Type	Size	Holding Force [N]		A [mm]	B [mm]	D [mm]	F [mm]	G [mm]	H [mm]	M [mm]	N [mm]	P [mm]	Q [mm]	R	S [mm]	T [mm]	U	V [mm]
		M	D															
FDPM	25 S	1500	3900	70	99	32.5	57	22.5	49.5	22.5	20	7.75	5.25	M8x7	5	56	M6x7	20
FDPM	25 T	1500	3900	72	99	32.5	57	22.5	49.5	22.5	20	7.75	7.75	M8x7	5	43	M6x7	20
FDPM	30 S	2100	5600	87	99	38	72	26	49.5	26	22	9	5	M10x8	5	42	M8x8	22
FDPM	30 T	2100	5600	90	99	38	72	26	49.5	26	22	9	5	M10x8	5	42	M8x8	22
FDPM	35 S	2600	6600	100	100.6	42	82	31	50.3	31	26	7	11.5	M10x10	5	42.3	M8x10	24
FDPM	35 T	2600	6600	108	100.6	42	82	31	50.3	31	26	7	11.5	M10x10	5	42.3	M8x10	24

FDI Series - Clamping and braking element with integrated springs

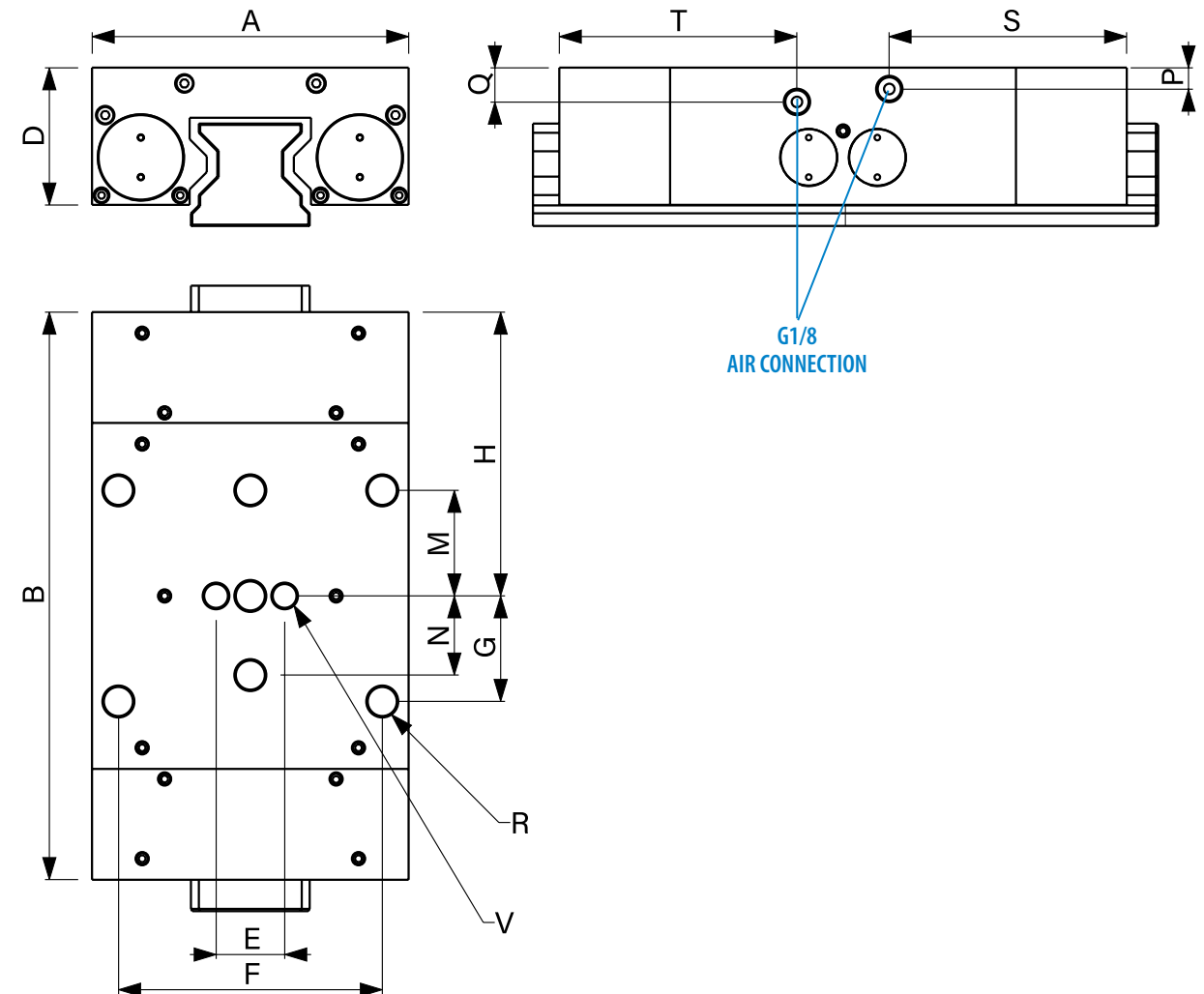
Braking element with high clamping force.
Material and shape of contact parts allow high clamping force without damaging the rail.

FDI#--- M
FDI#--- D



Guide size **55 mm**
Working type **Norm. Closed**
Body **Steel**
Operating Temperature **-20°C ÷ 80°C**
Operating Pressure **5,5 ÷ 8 bar**

- Locking element without the use of energy
- High clamping force thanks to a double piston system
- Short reaction times
- Compact and rigid body
- Clamping in case of pressure drop
- Working in emergency stop
- Can be supplied complete with proximity sensor.



Type	Size	Holding Force [N]		B [mm]	D [mm]	E [mm]	F [mm]	G [mm]	H [mm]	M [mm]	N [mm]	P [mm]	Q [mm]	R [mm]	S	T [mm]	V [mm]	
		M	D															
FDI	45 S	6000	8000	120	215	52	26	100	40	107.55	40	30	8.1	92	M12x12	90	90	M10X12
FDI	55 S	7700	9200	140	219	59	-	116	47.5	109.5	47.5	35	10	92	M14x14	92	92	-

FMC Series - Single cylinder element

Compact and inexpensive locking element.

These characteristics are obtained using a single contact section.

The clamping action is allowed by the floating system of the body that ensures:

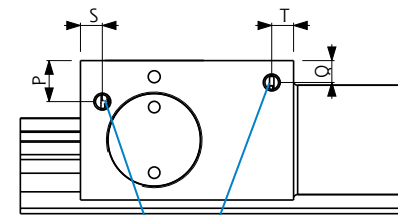
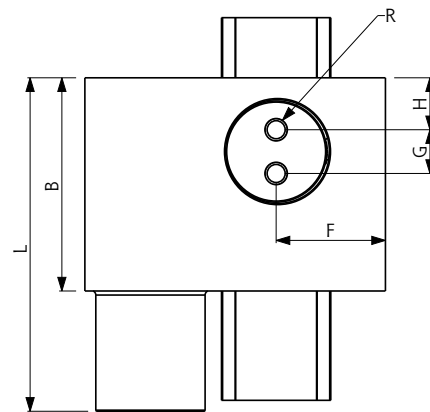
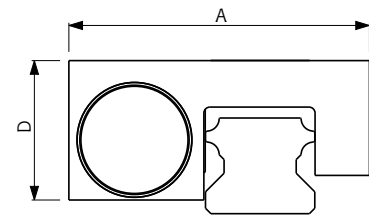
- the clamping of the rail on one side by the contact section and on the other by the body itself;
- a symmetrical distribution of clamping force on the linear guide;
- absolutely no friction between the linear guide with the body and with the contact section when the clamping is released.

FRCMC#--- S
FRCMC#--- E



Guide size **15 ÷ 55 mm**
Working type **Norm. Open**
Body **Steel**
Operating Temperature **-20°C ÷ 80°C**
Operating Pressure **5,5 ÷ 8 bar**
Switching time **40 ÷ 60 mSec**
Contact parts Hardness **60 ÷ 62 HRC**

◆ Can be supplied complete with proximity sensor.



**M3/M5
AIR CONNECTION**
we recommend
the use of compressed
air hose \varnothing 6x4

FRCMC#--- M
FRCMC#--- D



Guide size **15 ÷ 55 mm**
Working type **Norm. Closed**
Body **Steel**
Operating Temperature **-20°C ÷ 80°C**
Operating Pressure **5,5 ÷ 8 bar**
Switching time **40 ÷ 60 mSec**
Contact parts Hardness **60 ÷ 62 HRC**

◆ Can be supplied complete with proximity sensor.

Type	Size	Holding Force [N]				A [mm]	B [mm]	D [mm]	F [mm]	G [mm]	H [mm]	L [mm]	P [mm]	Q [mm]	R	S [mm]	T [mm]
		M	S	E	D												
FMC	15 T0	200	320	320	520	41.5	36	18	14.25	7	8.9	55	4	4	M4x4.5	3	4.5
FMC	20 S0	300	500	500	800	55	39	27	21	8	9.5	61	5	4	M4x5.8	4	4
FMC	20 T0	300	500	500	800	55	39	25.5	21	8	9.5	61	5	4	M4x5.8	4	4
FMC	25 S0	375	600	600	975	60.5	39	30	22	14	12.5	63.5	5	7.5	M4x5.8	5	5
FMC	25 T0	375	600	600	975	60.5	39	30	22	14	12.5	63.5	5	7.5	M4x5.8	5	5
FMC	25 T5	300	500	500	800	58	35	28	23	12	11.5	57	6	5	M5x7	5	5

FMCE Series Electric clamping element

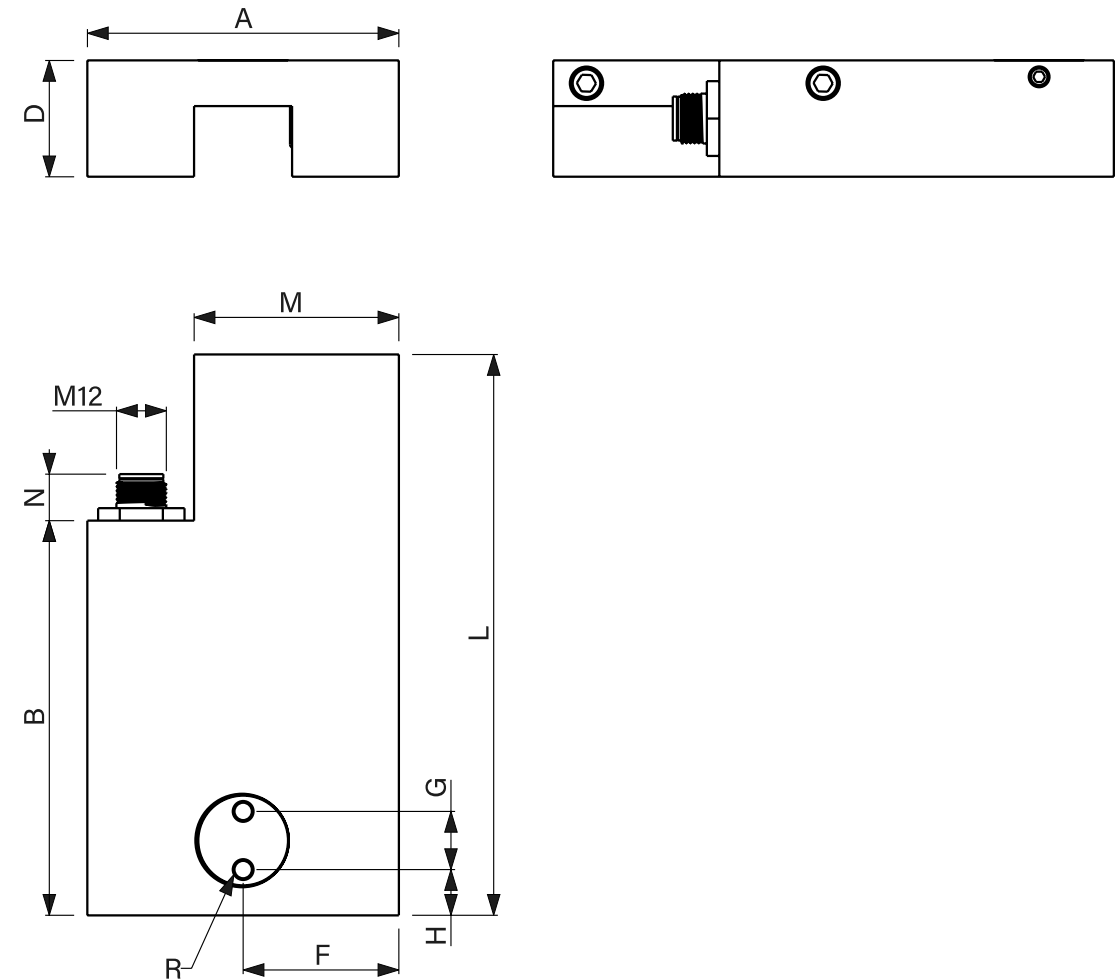
Bistable clamping element.
Keeping the element closed or open doesn't require voltage supply.

FMCE##--



Guide size **20 ÷ 25 mm**
 Body **Steel**
 Operating Temperature **-10°C ÷ 70°C**
 Direct Current Voltage **24 V**
 Closing time **< 3 Sec**
 Opening time **< 1.5 Sec**

- ◆ **Short length**
- ◆ **Self-locking**
- ◆ **5 pin connector**
- ◆ **Bistable**
- ◆ **Can be supplied complete with proximity sensor.**



Type	Size	Holding Force [N]	A [mm]	B [mm]	D [mm]	F [mm]	G [mm]	H [mm]	L [mm]	M [mm]	N [mm]	R
FMCE	20 T0	1000	60	80	24	29.75	8	14	115	40.3	11.2	M4x5
FMCE	25 T0	1400	75	95	28	37.5	14	11	135	49.3	11.2	M5x7

FMN Series - Manual clamping element for linear guides

Simple and reliable, this clamping element is manually controlled.

By acting on the adjustable locking lever, the contact profiles press with sync on the surfaces of the rail.

The floating profiles of contact ensure a symmetrical distribution of the force on the linear guide.

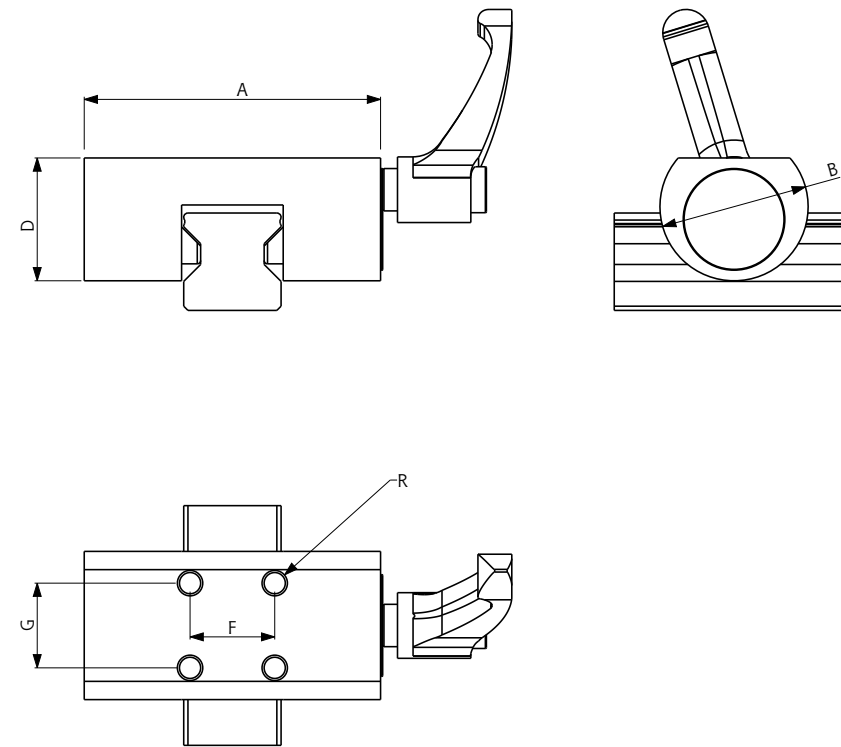
New ergonomic design.

FMN ##---



Guide size **15 ÷ 65 mm**
 Working type **Manual**
 Body **Steel**

- Simple and inexpensive
- Floating locking contacts



Type	Size	Holding Force [N]	A [mm]	B [mm]	D [mm]	F [mm]	G [mm]	R
FMN	15 S	1200	47	25	19	17	17	M4x5
FMN	15 T	1200	47	25	17.5	17	17	M4x5
FMN	20 S	1200	60	28	23	15	15	M5x6
FMN	20 T	1200	60	26	20	15	15	M5x6
FMN	25 S	1200	70	35	29	20	20	M6x7
FMN	25 T	1200	70	32	24	20	20	M6x8
FMN	30 S	2000	90	40	32	22	22	M6x8
FMN	30 T	2000	90	38	29	22	22	M6x8
FMN	35 S	2000	98	45	37	24	24	M8x10
FMN	35 T	2000	98	42	32	24	24	M8x10
FMN	45 S	2000	118	55	48	26	26	M10x14
FMN	45 T	2000	118	50	42	26	26	M10x14
FMN	55 S	2000	138	65	57.8	30	30	M14x16
FMN	55 T	2000	138	56	47	30	30	M14x16
FMN	65 T	2000	160	70	58	35	35	M16x20

FMN-M Series - Manual clamping element for miniature linear guides

Manual clamping element for miniature linear guides.

By acting on the locking screw, the contact sections press with sync on the surfaces of the rail.

The floating profiles of contact ensure a symmetrical distribution of the force on the linear guide.

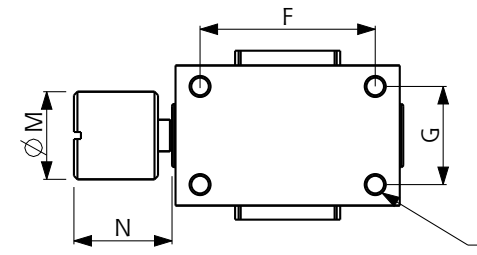
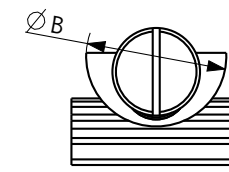
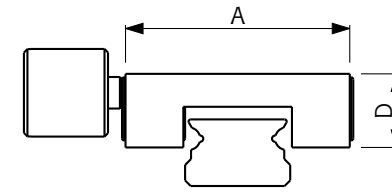
New ergonomic design to save space.

FMN ##---



Guide size **9 ÷ 15 mm**
 Working type **Manual**
 Body **Steel**

- ◆ Simple and inexpensive
- ◆ Floating locking contacts



Type	Size	Holding Force [N]	A [mm]	B [mm]	D [mm]	F [mm]	G [mm]	M [mm]	N [mm]	R
FMN	9 M	100	20	17	7.3	15	11	8	9	M3x3
FMN	12 M	150	27	19	9.5	20	13	10	10	M3x4.5
FMN	15 M	180	32	20	10.5	25	14	12.5	14	M3X5

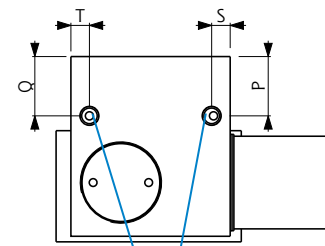
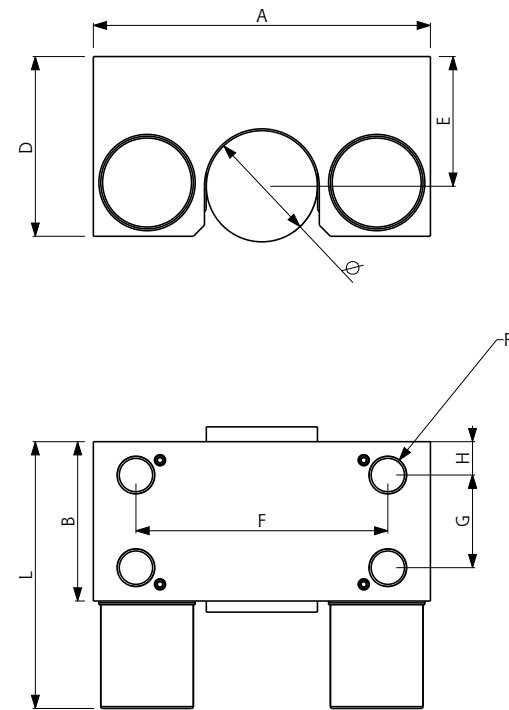
FC Series - Pneumatic clamping elements for round bars

The same high performance of F line for round guides
The tightening is done using an amplification system with inclined plane.

FC##--E
FC##--E



Guide size **12 ÷ 130 mm**
Working type **Norm. Open**
Body **Steel**
Operating Temperature **-20°C ÷ 80°C**
Operating Pressure **5,5 ÷ 8 bar**
Switching time **40 ÷ 60 mSec**
Contact parts Hardness **60 ÷ 62 HRC**
◆ **Can be supplied complete with proximity sensor.**



M5
AIR CONNECTION
we recommend
the use of compressed
air hose ø 6x4

FC##--M
FC##--D



Guide size **12 ÷ 130 mm**
Working type **Norm. Closed**
Body **Steel**
Operating Temperature **-20°C ÷ 80°C**
Operating Pressure **5,5 ÷ 8 bar**
Switching time **40 ÷ 60 mSec**
Contact parts Hardness **60 ÷ 62 HRC**
◆ **Can be supplied complete with proximity sensor.**

Type	Size	Holding Force [N]			A D	B [mm]	D [mm]	E [mm]	F [mm]	G [mm]	H [mm]	L [mm]	P [mm]	Q [mm]	R [mm]	S	T [mm]	[mm]
		M	S	E														
FC	12	400	650	650	1050	50	35	31.5	22	15	15	10	54	11.65	11.65	M5x6	5	5
FC	14	400	650	650	1050	55	35	31.5	22	15	15	10	54	11.65	11.65	M5x6	5	5
FC	16	400	650	650	1050	55	35	31.5	22	15	15	10	54	11.65	11.65	M5x6	5	5
FC	20	600	1000	1000	1600	66	38	36.5	25	45	18	13	60	12.5	12.5	M8x10	13.5	5
FC	25	750	1200	1200	1950	77	38.5	43	30	60	20	8	63	10.5	15.5	M10x12	5	5
FC	30	1050	1750	1750	2800	91	43	48.5	35	68	25	9	72	16	16	M10x12	5	5
FC	40	1500	2300	2300	3800	115	49	63	45	90	26	9	81	20	20	M10x15	5	17
FC	50	2000	3000	3000	5000	131	48	70	50	108	30	9	81	21.5	21.5	M10x15	5	5
FC	60	2000	3000	3000	5000	141	48	70	70	108	30	9	81	15	15	M10x15	5	5
FC	130	2000	3000	3000	5000	211	48	109	89	-	-	-	81	15	15	M10x15	17	17

FCMN Series - Manual clamping element for linear guides

Simple and reliable, this clamping element is manually controlled.

By acting on the adjustable locking lever, the contact profiles clamp in sync on the surfaces of the bar.

The floating profiles of contact ensure a symmetrical distribution of the force on the round bar or guide.

Ergonomic design.

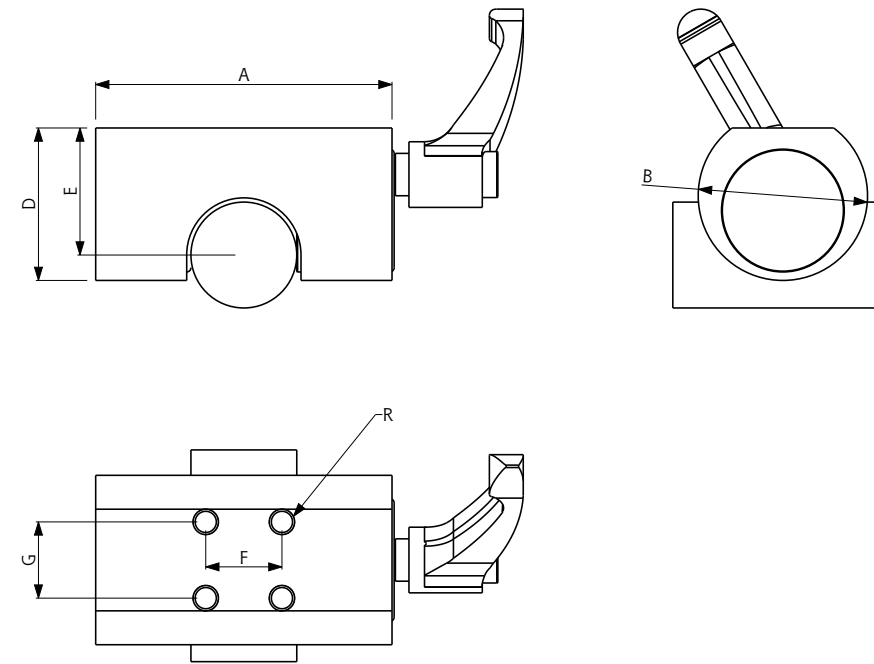
FCMN#---



Guide size
Working type
Body

12 ÷ 50 mm
Manual
Steel

- ◆ Simple and inexpensive
- ◆ Floating locking contacts



Type	Size	Holding Force [N]	A [mm]	B [mm]	D [mm]	E [mm]	F [mm]	G [mm]	R
FCMN	12 01	1200	43	30	24	18	17	17	M4x5
FCMN	12 02	1200	43	33	24	18	32	-	M4x5
FCMN	16 01	1200	47	30	26	22	17	17	M4x5
FCMN	16 02	1200	53	39	29	22	40	-	M4x5
FCMN	20 01	1200	60	32	28	25	15	15	M5x6
FCMN	25 01	1200	70	40	36	30	18	18	M6x8
FCMN	30 01	2000	90	45	41	35	20	20	M6x8
FCMN	40 01	2000	107	58	51	45	25	25	M10x15
FCMN	50 01	2000	130	65	55	50	30	30	M14x20

FBS Series - Clamping and braking element for rods

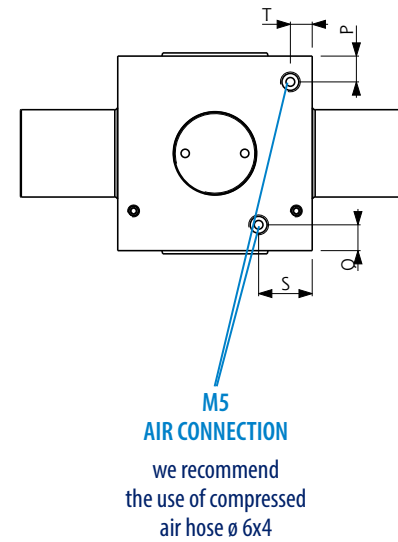
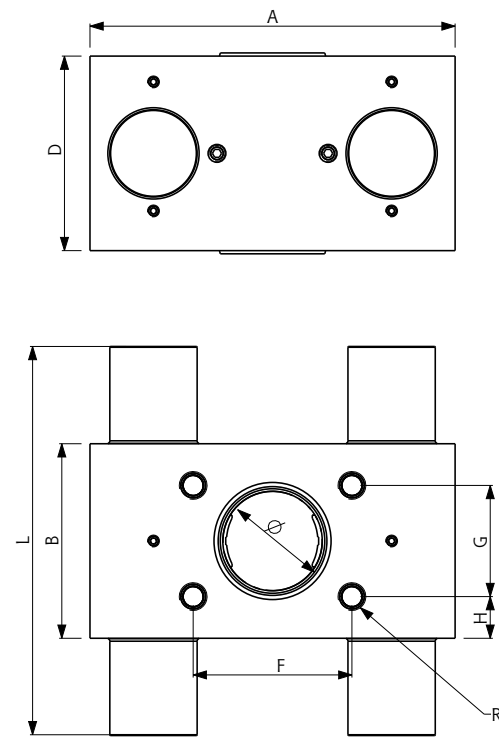
The body of the element made in anodized aluminium improves the mechanical properties of this device.
The double piston system produces clamping forces that are 50% higher than the normal mechanism, maintaining a small size.

FBS##--S
FBS##--E



Roll diametre **16 ÷ 25 mm**
Working type **Norm. Open**
Body **Anodized aluminum**
Temperature **-20°C ÷ 80°C**
Operating Pressure **5,5 ÷ 8 bar**
Switching time **40 ÷ 60 mSec**

- ◆ Compact in size
- ◆ Functioning in both directions
- ◆ High clamping force thanks to a double piston system.
- ◆ Can be supplied complete with proximity sensor.



FBS##--M
FBS##--D



Roll diametre **16 ÷ 25 mm**
Working type **Norm. Closed**
Body **Anodized aluminum**
Temperatur **-20°C ÷ 80°C**
Operating Pressure **5,5 ÷ 8 bar**
Switching time **40 ÷ 60 mSec**

- ◆ Compact in size Functioning in both directions.
- ◆ High clamping force thanks to a double piston system.
- ◆ Used to block guided loads in case of pressure drop (emergency).
- ◆ Can be supplied complete with proximity sensor.

Type	Size	Holding Force [N]			A D	B [mm]	D [mm]	F [mm]	G [mm]	H [mm]	L [mm]	P [mm]	Q [mm]	R [mm]	S	T [mm]	[mm]
		M	S	E													
FBS	16	1200	1600	1600	2800	83	49	49	40	28	10.5	98	6.5	6.5	M6x6	13.5	5.5
FBS	20	1200	1800	1800	3000	87	49	49	40	28	10.5	98	6.5	6.5	M6x6	13.5	5.5
FBS	25	1500	2000	2000	3500	92	49	49	40	28	10.5	98	6.5	6.5	M6x6	13.5	5.5

Series FBC Pneumatic cylinder blocking element

FBC is a clamping element for Pneumatic cylinders ISO 15552 and VDMA 6432.

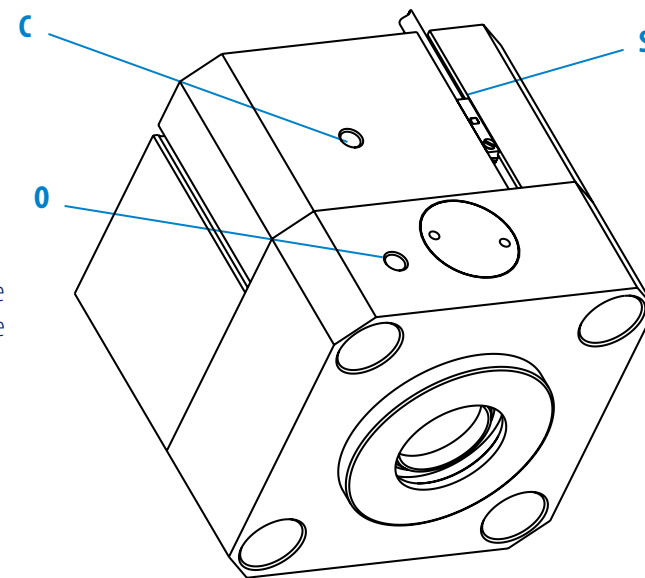
The device blocks the rod in any position it is in the moment it is activated, not necessary in its ends of stroke.

It can also be used as a clamping unit for separate rods.



Technical Data

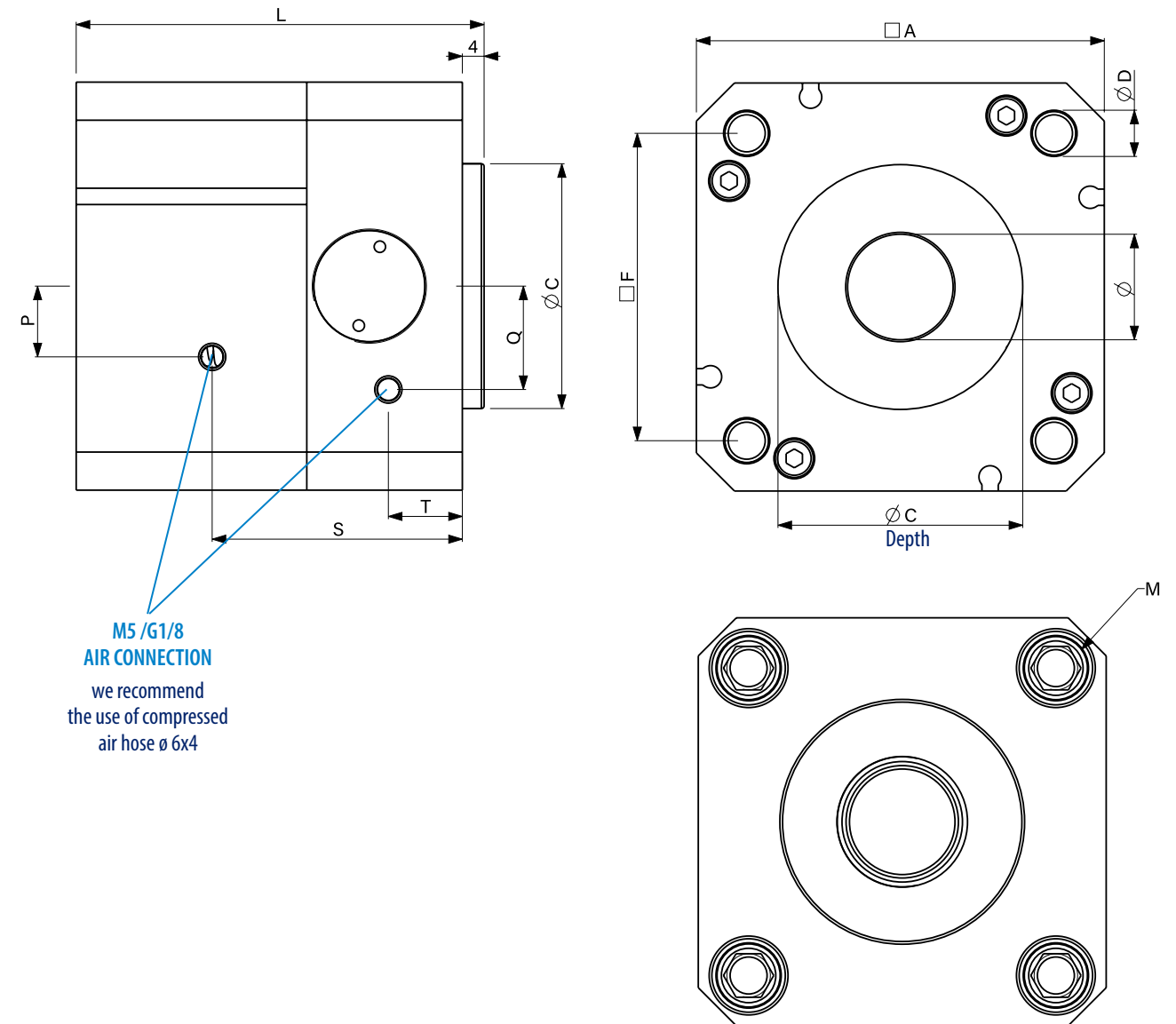
- \emptyset rod f7 tolerance of at least 54 HRC hardness
- Pneumatic air with ISO ISO 8573-1:2010 lubrication
- Working pressure 3-10 bar (6 bar for standard FBC which the forces refer to)
- Working temperature: -20°C / 80°C
- Clamping type: two-way mechanical
- Normally closed functioning [NC] -> it is blocked without pressure / or Normally open functioning [NO] – unlocked without pressure
- Life cycle (B10d) of 1.500.000 cycles.
- Can be supplied complete with proximity sensor.



S: Sensor (optional). Can be mounted on any side

C: M5 bore. Used to connect a filter (in case of FBC normally closed and simple effect) or a pneumatic connector in order to "close" the element (if in double effect)

O: M5 bore. Used to connect a pneumatic connector to "open" the element in case of NC. If it is NO, a filter shall be connected.



Type	Bore	Ø Rod	Holding Force [N]				A [mm]	C [mm]	Depth [mm]	D [mm]	F [mm]	L [mm]	M	P [mm]	Q [mm]	R	S [mm]	T [mm]	PISTON EXTENSION [mm]	PNEUMATIC CONNECTION V[cm³]	FIXING SCREW [Nm]
			M	S	E	D															
FBC	32	12	700	850	850	1550	47	30	20.1	6.5	32.5	80	M8	0	11	M5	39.5	20	59.5	7	9.5
FBC	40	16	1000	1250	1250	2250	52	35	20.1	6.5	38	99	M8	7	13	M5	48	21.3	75	12	9.5
FBC	50	20	1600	1900	1900	3500	65	40	25.1	8.5	46.5	75	M8	0	14	M5	42.5	20.1	46	15	23
FBC	63	20	2500	3000	3000	5500	75	45	25.1	8.5	56.5	75	M8	13	19	M5	46	13.6	46	23	23
FBC	80	25	4300	5000	5000	9300	95	45	30.1	10.5	72	85.9	M10	16	22	G1/8	51.9	24.9	52	41	46
FBC	100	25	7000	8500	8500	15500	115	55	35.1	10.5	89	92.1	M10	26	26	G1/8	53.1	23.5	53	66.5	46
FBC	125	32	10500	12000	12000	13000	140	60	45.9	12.5	110	108	M12	27	27	G1/8	58.5	28	58.6	100	84

ERRE.DI. Automation also provides special elements to best meet customers' needs

Thanks to its advanced technical know-how and a continuous process of innovation, ERRE.DI. is able to provide customized automation components to best meet its customers' needs, creating a real partnership during the development of new solutions.

Design, manufacturing and testing are carried out within ERRE.DI. facilities in order to give a quick and effective response to customers' requests. Here below some examples of customized solutions..

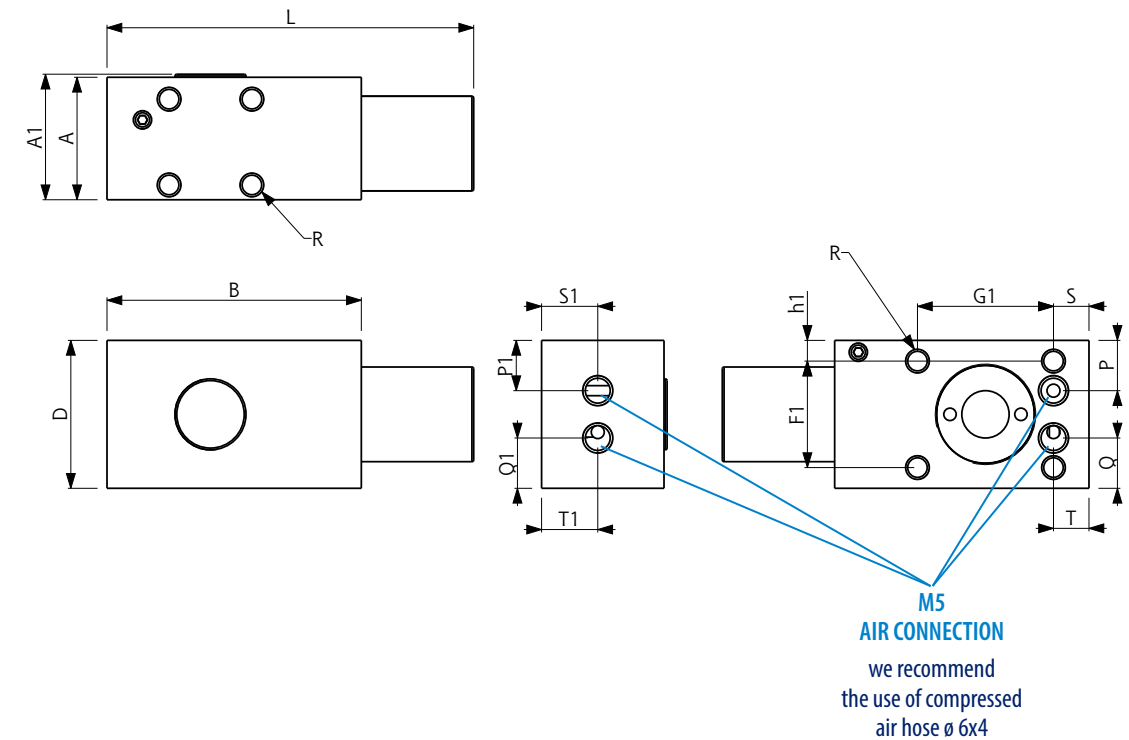
FMV Series Multifunction element

FMV##---



Guide size **15 mm**
 Working type **Norm. Open /Norm. Closed**
 Body **Steel/Aluminium**
 Temperature **-20°C ÷ 80°C**
 Operating Pressure **5,5 ÷ 8 bar**

- ◆ Small dimensions
- ◆ Multiple ways to use
- ◆ Different fields of application
- ◆ Also available with contact parts covered with rubber

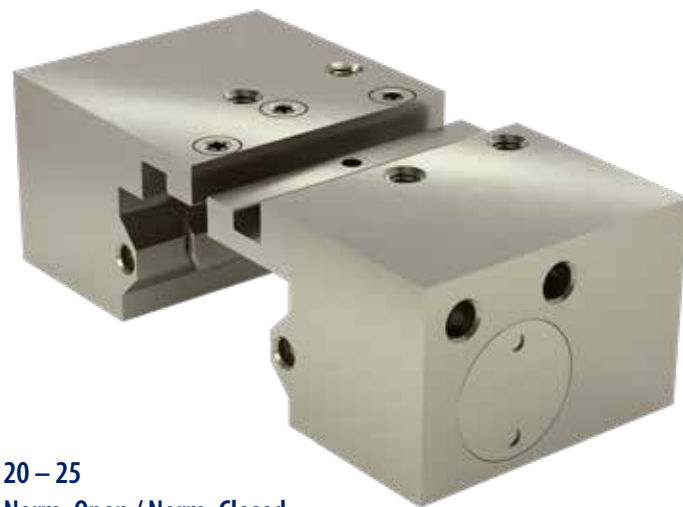


Type	Size	Holding Force [N]				A [mm]	A1 [mm]	B [mm]	D [mm]	F [mm]	F1 [mm]	G [mm]	G1 [mm]	H [mm]	h [mm]	h1 [mm]	L [mm]	P [mm]	Q [mm]	R	S [mm]	T [mm]	P1 [mm]	Q1 [mm]	S1 [mm]	T1 [mm]
		M	S	E	D																					
FMV	15	200	320	320	520	20.7	21.22	43	25	14.5	18	14	23	10.5	2.5	3.5	62	8.5	8.5	M4X4	6	6	8.5	8.5	9.5	9.5

Decomposable Clamping Element

It's a small element, extremely easy to install and/or replace in the system where is used:

- Fewer parts of the production machine need to be displaced;
- No need to slide the blocking element along the whole length of the guide.



## Guide size	20 – 25
Working type	Norm. Open / Norm. Closed
Body	Steel
Operating Temp.	-20°C ÷ 80°C
Operating Pressure	5,5 ÷ 8 bar

- ◆ Single-piston system
- ◆ Reduced length
- ◆ High clamping forces
- ◆ Precise positioning
- ◆ High rigidity
- ◆ Shaped profile

Note





ERRE.DI. s.r.l.

Offices and Production:

Via dei Lavoratori, 15 - 20092 Cinisello Balsamo (MI) - Italia

Tel. (+39) 02 66040229 - Fax (+39) 02 61 28041

www.erredisrl.it - automazione@erredisrl.it