

Chains & sprockets	Wear strips	Side guide brackets & accessories	Levelers	Engineering manual
Modular belts & sprockets	Chain & belt return systems	Frame & structure supports	Bearing supports	
Curves & tracks	Side guide solutions	Miscellaneous products	Equipment	

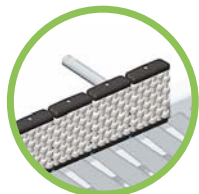
SYSTEM PLAST®

Smart guide

10110a

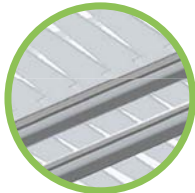
GENERAL INDEX

www.SystemPlastSmartGuide.com



Roller guide solutions

52510a



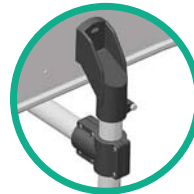
Side guide solutions

51510a



Side guide brackets & accessories

53510a



Frame & structure supports

54010a



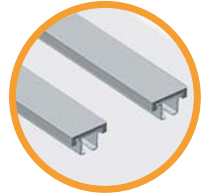
Curves & tracks

50005a



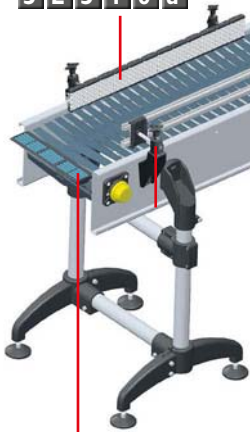
Miscellaneous products

54510a



Wear strips

50510a



Roller transfer modules

52670a



Chains & belts return system

51010a



Levelers

55510a



Bearings

56010a



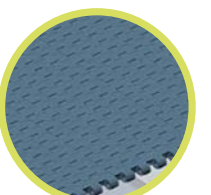
Equipment

57010a



Chains & sprockets

11010a



Modular belts & sprockets

30010a



MODSORT

57010a

RegalRexnord™

Chains & sprockets	Wear strips	Side guide brackets & accessories	Levelers	Engineering manual
Modular belts & sprockets	Chain & belt return systems	Frame & structure supports	Bearing supports	
Curves & tracks	Side guide solutions	Miscellaneous products	Equipment	

INTRODUCTION

Smart Guide visual index.....	10110a
Smart Guide catalog index.....	10110b
How Smart Guide works.....	10110c
Smart Guide icon legend.....	10110d

CHAINS & SPROCKETS

Index metal chains & sprockets.....	11010a
Index straight thermoplastic chains & sprockets.....	11011a
Index sideflexing thermoplastic chains & sprockets.....	11012a
Index other types sideflexing chains & sprockets.....	11013a

MODULAR BELTS & SPROCKETS

Index straight modular belts & sprockets.....	30010a
Index sideflexing modular belts & sprockets.....	30012a
Index ½" pitch (12,7mm) - Thickness: 8,7mm.....	30020a
Index ¾" pitch (19mm) - Thickness: 8,7mm.....	30190a
Index 1" pitch (25,4mm) - Thickness: 8,7mm.....	30300a
Index 1" pitch (25,4mm) - Thickness: 12,7mm.....	30410a
Index 1" pitch (25,4mm).....	30700a
Index sideflexing modular belts 2256.....	30728a

CURVES & TRACKS

Introduction to curves.....	50005a
Index magnetic curves.....	50010a

WEAR STRIPS

Index wear strips.....	50510a
------------------------	--------

CHAIN & BELT RETURN SYSTEMS

Index chain & belt return systems.....	51010a
--	--------

SIDE GUIDE SOLUTIONS

Index side guides & clamps.....	51510a
Index roller side guides & roller transfer plates.....	52510a

SIDE GUIDE BRACKETS & ACCESSORIES

Index side guides brackets.....	53510a
---------------------------------	--------

FRAME & STRUCTURE SUPPORTS

Index frame & structure supports.....	54010a
---------------------------------------	--------

MISCELLANEOUS PRODUCTS

Index miscellaneous products.....	54510a
-----------------------------------	--------

LEVELERS

Index levelers & tube ends.....	55510a
---------------------------------	--------

BEARINGS

Index mounted bearings.....	56010a
-----------------------------	--------

EQUIPMENT

Index equipment.....	57010a
----------------------	--------

RELATED INFORMATION

Index related information.....	72010a
--------------------------------	--------

ITEM DESCRIPTION INDEX

Item description index.....	78000a
-----------------------------	--------

STANDARD TERMS AND CONDITIONS OF SALE

Standard terms and conditions of sale.....	79900a
--	--------



Chains & sprockets	Wear strips	Side guide brackets & accessories	Levelers	Engineering manual
Modular belts & sprockets	Chain & belt return systems	Frame & structure supports	Bearing supports	
Curves & tracks	Side guide solutions	Miscellaneous products	Equipment	

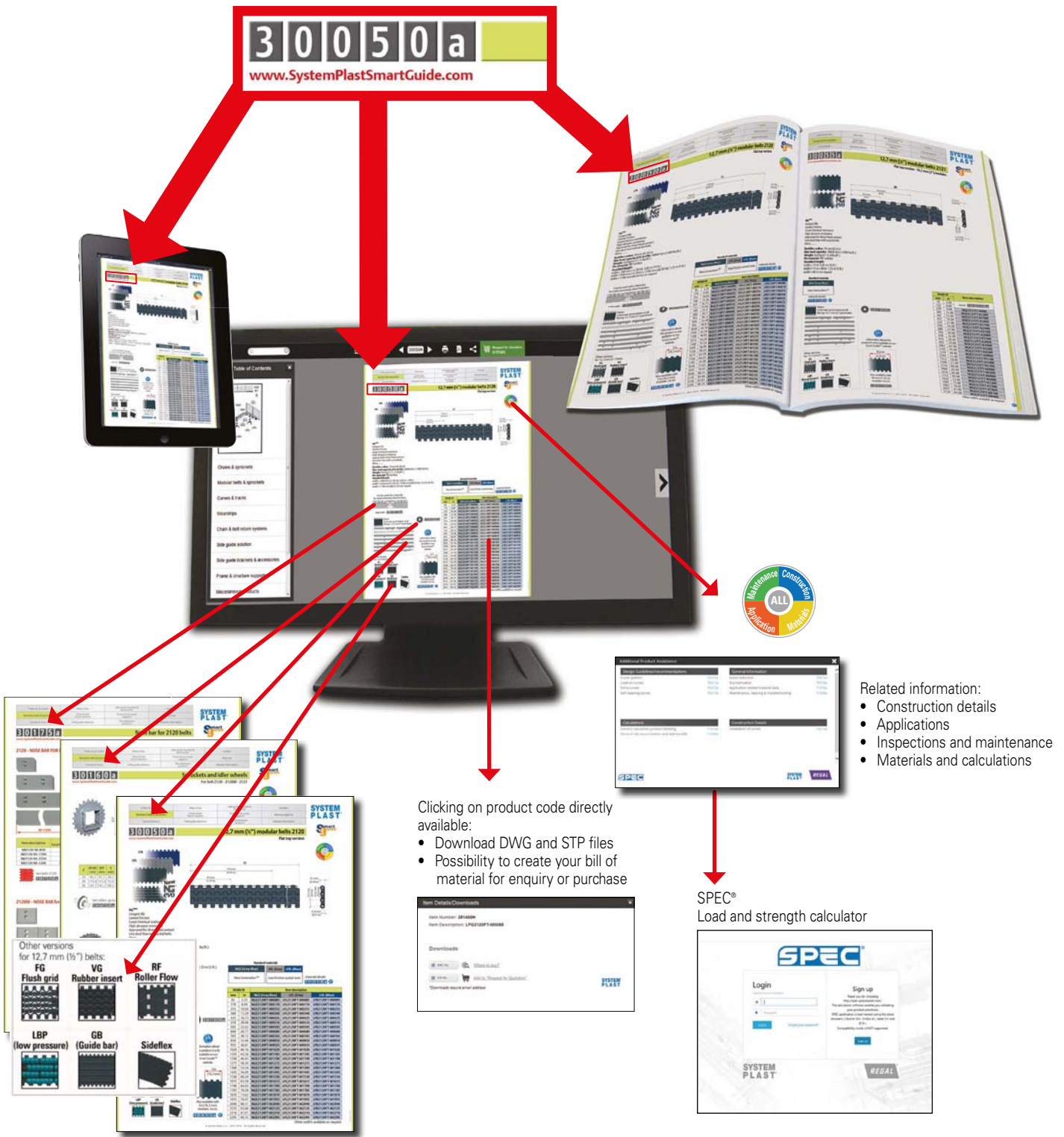
10110c

HOW SMART GUIDE® CATALOG WORKS

www.SystemPlastSmartGuide.com

The page codes of this catalog opens your access to all relevant information and services about the product you have selected on www.SystemPlastSmartGuide.com

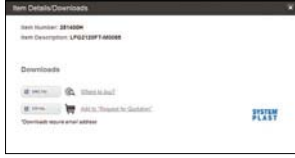
30050a
www.SystemPlastSmartGuide.com



- Related information:
- Construction details
 - Applications
 - Inspections and maintenance
 - Materials and calculations

Clicking on product code directly available:

- Download DWG and STP files
- Possibility to create your bill of material for enquiry or purchase



SPEC®
Load and strength calculator



Our interactive catalog is your key to direct access to the System Plast® SmartGuide® website, where you will find all possible information and tools to assist you in selecting, applying our products

Chains & sprockets	Wear strips	Side guide brackets & accessories	Levelers	Engineering manual
Modular belts & sprockets	Chain & belt return systems	Frame & structure supports	Bearing supports	
Curves & tracks	Side guide solutions	Miscellaneous products	Equipment	

ICON	LEGEND
	Link to open menu for technical information related to the products listed on this page.
11011a	Link to find related products.
11150b	Link to find related products. Note: only available on our website www.SystemPlastSmartGuide.com
30720a	Codes in orange background are indicators for modular belts in molded to width versions.
	Information only available on our website: www.SystemPlastSmartGuide.com
	Link to other varieties of these chains and/or link to the chains used with the sprockets listed on this page.
	Link to other varieties of these modular belts and/or link to the belts used with the sprockets listed on this page.
	Link to the sprockets used with the chains or belts listed on this page.
MOQ	Minimum order quantity.
	Indicates chains, belts or curves suitable for magnetic curve systems.
	This product includes patented features.
	Link to general information about the products listed on this page.
	This product is not suitable in use with chains with hold-down tabs.

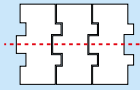
ICON	LEGEND
	Weight in Kg/m
	Length per standard code.
	Length per standard coil.
	Quantity standard packaging.
	Indication for products that contain a dry lubricant.
	Material: stainless steel AISI 430.
	Material: stainless steel AISI 304.
	Material: aluminum, anodized.
	Material: aluminum.
	Material: zinc plated steel.
	Nominal diameter 41mm.
	Product suitable for assembly to a rectangular profile.
	Max load capacity.
	Wrench size.

Chains & sprockets	Wear strips	Side guide brackets & accessories	Levelers	Engineering manual
Modular belts & sprockets	Chain & belt return systems	Frame & structure supports	Bearing supports	
Curves & tracks	Side guide solutions	Miscellaneous products	Equipment	

1 1 0 1 0 a

INDEX METAL CHAINS

www.SystemPlastSmartGuide.com



STRAIGHT

FLAT TOP



1 1 0 2 0 a
812 - 815 - 815L

1 1 0 4 0 a

RUBBER TOP



1 1 1 5 0 a
815VG - 815 VG TAB

1 1 0 4 0 b



1 1 1 2 0 a
800 - 802 - 805

1 1 1 2 0 a



1 1 1 5 0 a
814 VG

1 1 3 3 0 a



1 1 1 0 0 a
8157

1 1 1 0 0 a



1 1 1 8 0 a
8157 VG - 8157 TAB VG

1 1 1 0 0 a



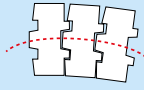
1 1 1 3 0 a
515

1 1 1 3 0 a



1 1 1 8 0 a
805 VG

1 1 1 2 0 a



SIDEFLEXING

FLAT TOP



1 1 0 6 0 a
881M - 881MO

1 1 0 4 0 a

RUBBER TOP



1 1 1 6 0 a
881 MO VG

1 1 0 9 0 a



1 1 0 7 0 a
881R TAB - 8810 TAB

1 1 0 9 0 a



1 1 1 6 0 a
8857 M VG

1 1 1 0 0 a



1 1 0 8 0 a
8810

1 1 0 9 0 a



1 1 1 1 0 a
8857 TAB - 8857M

1 1 1 0 0 a

PLATE TOP



1 1 1 4 0 a
1874

GRIPPER



1 1 4 5 0 a
1874 GV

FOR OTHER TYPES OF CHAIN GO TO:

- 1 1 0 1 1 a** Index Straight running thermoplastic chains
- 1 1 0 1 2 a** Index Sideflexing thermoplastic chains
- 1 1 0 1 3 a** Index other types of chains



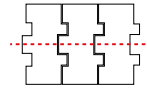
Information about this product is only available on our Smart Guide® website.

Chains & sprockets	Wear strips	Side guide brackets & accessories	Levelers	Engineering manual
Modular belts & sprockets	Chain & belt return systems	Frame & structure supports	Bearing supports	
Curves & tracks	Side guide solutions	Miscellaneous products	Equipment	

1 1 0 1 1 a

INDEX STRAIGHT RUNNING THERMOPLASTIC CHAINS

www.SystemPlastSmartGuide.com



STRAIGHT

FLAT TOP	PLATE TOP	RUBBER TOP	LBP
 1 1 1 9 0 a 820 - 820P - 831 1 1 2 0 0 a ⚙️	 1 1 4 6 0 a 843 - 845 1 1 4 6 0 a ⚙️	 1 1 3 8 0 a 831 VG 1 1 2 0 0 a ⚙️	 1 1 3 4 0 a LBP 831 1 1 2 0 0 a ⚙️
 1 1 2 1 0 a 828 1 1 2 6 0 a ⚙️	 1 1 4 6 0 a 863 1 1 4 6 0 a ⚙️	 1 1 4 1 0 a 8257 VG 1 1 3 0 0 a ⚙️	 1 1 3 7 0 a LBP 8257 1 1 3 0 0 a ⚙️
 1 1 3 1 0 a 8257 1 1 3 0 0 a ⚙️		 1 1 4 1 0 a 821 VG 1 1 3 2 0 b ⚙️	 1 1 3 7 0 a LBP 821 1 1 3 2 0 b ⚙️
 1 1 3 2 0 a 821 1 1 3 2 0 b ⚙️			
 1 1 3 3 0 a SK 38 1 1 3 3 0 a ⚙️			



Information about this product is only available on our Smart Guide® website.

FOR OTHER TYPES OF CHAIN GO TO:

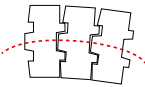
- 1 1 0 1 0 a** Index Metal chains
- 1 1 0 1 2 a** Index Sideflexing thermoplastic chains
- 1 1 0 1 3 a** Index other types of chains

Chains & sprockets	Wear strips	Side guide brackets & accessories	Levelers	Engineering manual
Modular belts & sprockets	Chain & belt return systems	Frame & structure supports	Bearing supports	
Curves & tracks	Side guide solutions	Miscellaneous products	Equipment	

1 1 0 1 2 a

INDEX SIDEFLEXING THERMOPLASTIC CHAINS

www.SystemPlastSmartGuide.com



SIDEFLEXING

FLAT TOP

1 1 2 2 0 a
879M - 880M

1 1 2 6 0 a ⚙️

1 1 2 3 0 a
877TAB - 878TAB
879TAB - 880TAB

1 1 2 6 0 a ⚙️

1 1 2 4 0 a
879 - 880

1 1 2 6 0 a ⚙️

1 1 2 4 0 b
880P

1 1 2 6 0 a ⚙️

1 1 2 8 0 a
882M

1 1 3 0 0 a ⚙️

1 1 2 9 0 a
882 BEVEL - 882 TAB

1 1 3 0 0 a ⚙️

PLATE TOP

1 1 4 7 0 a
1843 TAB

1 1 4 7 0 a
1873 TAB

1 1 4 9 0 a
1863 TAB

VACUUM

1 1 2 3 5 a
880TAB - VACUUM

1 1 2 6 0 a ⚙️

RUBBER TOP

1 1 3 8 0 a
879 M VG

1 1 2 6 0 b ⚙️

1 1 3 9 0 a
878 TAB VG - 879 TAB VG

1 1 2 6 0 a ⚙️

1 1 4 0 0 a
882 M VG - 882 TAB VG

1 1 3 0 0 a ⚙️

1 1 4 2 0 a
1873 TAB VG

1 1 4 2 5 a
1873 TAB VG - NECK STERILIZER

GRIPPER

1 1 4 3 0 a
878 TAB GS

1 1 2 6 0 a ⚙️

1 1 4 4 0 a
1873 TAB GS

LBP

1 1 3 5 0 a
LBP 878 TAB

1 1 2 6 0 a ⚙️

1 1 3 5 0 a
LBP 879 M

1 1 2 6 0 a ⚙️

1 1 3 6 0 a
LBP 882 M - LBP 882 TAB

1 1 3 0 0 a ⚙️

FOR OTHER TYPES OF CHAIN GO TO:

- 1 1 0 1 0 a** Index Metal chains
- 1 1 0 1 1 a** Index Straight running thermoplastic chains
- 1 1 0 1 3 a** Index other types of chains

Information about this product is only available on our Smart Guide® website.

Chains & sprockets	Wear strips	Side guide brackets & accessories	Levelers	Engineering manual
Modular belts & sprockets	Chain & belt return systems	Frame & structure supports	Bearing supports	
Curves & tracks	Side guide solutions	Miscellaneous products	Equipment	










1 1 0 1 3 a

OTHER TYPES OF CHAIN

www.SystemPlastSmartGuide.com



SIDEFLEXING

	MULTIFLEX	CRATE CONVEYOR	
	 1 1 5 3 0 a 1700 - 1702 - 1701 TAB 1 1 5 5 0 a ⚙️	 1 1 5 7 0 a CC 600 - CC 600 TAB 1 1 5 8 0 a ⚙️	 1 1 5 9 0 a CC 1400 - CC 1400 TAB 1 1 5 9 0 a ⚙️
SAFETY CHAIN	 1 1 5 3 0 a 1706 1 1 5 5 0 a ⚙️	 1 1 5 7 0 a CC 600 P - CC 600 TAB P 1 1 5 8 0 a ⚙️	 1 1 5 9 0 a CC 1431 TAB 1 1 5 9 0 a ⚙️
	 1 1 5 4 0 a 1710 - 1710C TAB 1 1 5 5 0 a ⚙️	 1 1 5 8 0 a CC 600 F CC 631 TAB 1 1 5 8 0 a ⚙️	 1 1 6 0 0 a CC 1400V CC 1400V TAB 1 1 6 0 0 a ⚙️

FOR OTHER TYPES OF CHAIN GO TO:	
1 1 0 1 0 a	Index Metal chains
1 1 0 1 1 a	Index Straight running thermoplastic chains
1 1 0 1 2 a	Index Sideflexing thermoplastic chains

Chains & sprockets	Wear strips	Side guide brackets & accessories	Levelers	Engineering manual
Modular belts & sprockets	Chain & belt return systems	Frame & structure supports	Bearing supports	
Curves & tracks	Side guide solutions	Miscellaneous products	Equipment	

11020a

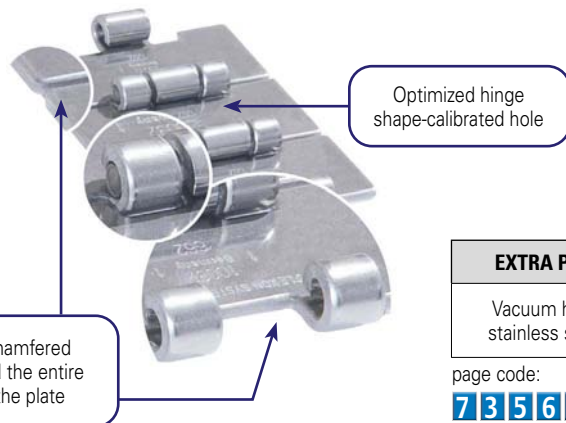
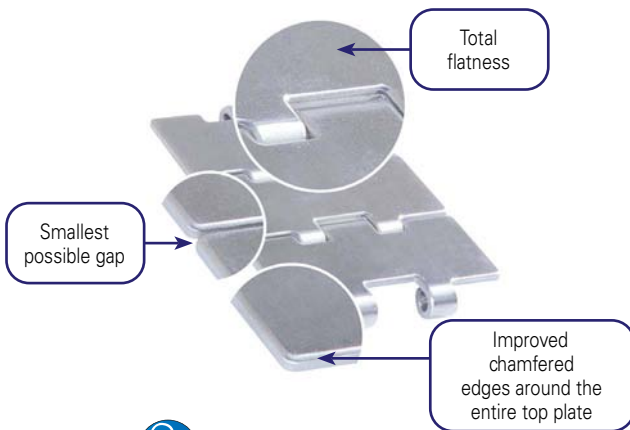
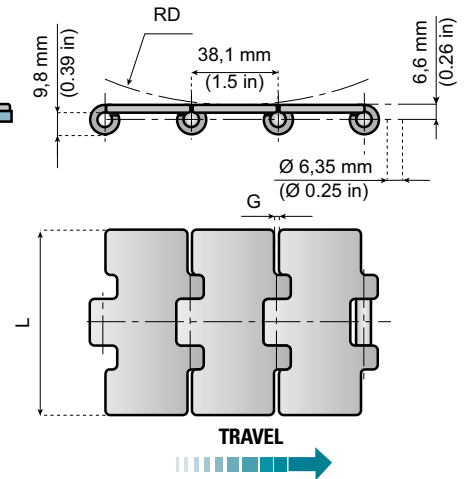
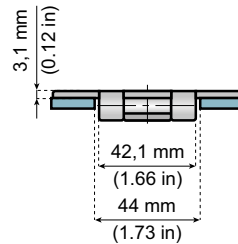
815L

www.SystemPlastSmartGuide.com

(SPEED-LINE) STRAIGHT RUNNING CHAINS - STAINLESS STEEL



**HIGH PERFORMANCE
EXTENDED LIFE**



Information about this product is only available on our Smart Guide® website.

EXTRA PLUS HB
Vacuum hardened stainless steel pins

page code:
73560a

11040a

Other versions 815:
VG Rubber top



Standard versions: **11030a**

For versions in austenitic and carbon steel material: **11030b**

812L - 815L STRAIGHT RUNNING CHAINS SINGLE HINGE

ITEM DESCRIPTION	MATERIAL	MAX. WORKING LOAD		FINISH µm	FLATNESS (MAX)		POLISHED HINGES	WIDTH L		G		RD		WEIGHT	
		N	lbs		mm	in		mm	in	mm	in	Kg/m	lbs/ft.		
SSEL815-K325	Extra plus	6000	1350	0,3	0,1	0.004	no	82,5	3 ¼	1,5	0.06	150	5.9	2,6	1.7
SSEL815-K325HB	Extra plus HB														

815L SPEED - LINE STRAIGHT RUNNING CHAINS SINGLE HINGE

ITEM DESCRIPTION	MATERIAL	MAX. WORKING LOAD		FINISH µm	FLATNESS (MAX)		POLISHED HINGES	WIDTH L		G		RD		WEIGHT	
		N	lbs		mm	in		mm	in	mm	in	Kg/m	lbs/ft.		
SPSL815-K325	Extra plus	6000	1350	0,2	0,1	0.004	yes	82,5	3 ¼	1,5	0.06	150	5.9	2,6	1.7
SPSL815-K330								83,8	3 19/64						
SPSL815-K325HB	Extra plus HB							82,5	3 ¼						
SPSL815-K330HB		83,8	3 19/64												

Standard length: 80 pitches (10 ft. - 3,048 m)

Breaking load according to standard ISO 4348 - DIN 8153

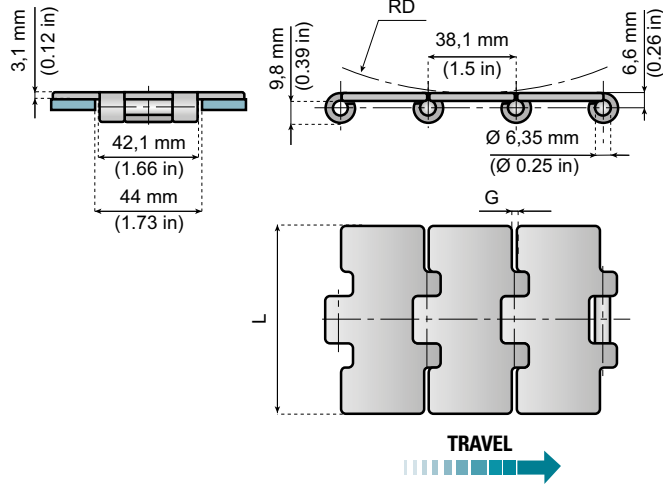
Chains & sprockets	Wear strips	Side guide brackets & accessories	Levelers	Engineering manual
Modular belts & sprockets	Chain & belt return systems	Frame & structure supports	Bearing supports	
Curves & tracks	Side guide solutions	Miscellaneous products	Equipment	

11030a

812 - 815

www.SystemPlastSmartGuide.com

STRAIGHT RUNNING CHAINS - FERRITIC STAINLESS STEEL



EXTRA PLUS HB
Vacuum hardened stainless steel pins

page code: **73560a**



Information about this product is only available on our Smart Guide® website.

11040a

Advantages:

- Complete program to cover all applications
- All materials
- All sizes

For chains with further improved characteristics: **11020a**

For versions in austenitic and carbon steel material: **11030b**

ITEM DESCRIPTION	MATERIAL	MAX. WORKING LOAD		FINISH μm	FLATNESS (MAX)		POLISHED HINGES	WIDTH L		G		RD		WEIGHT			
		N	lbs		mm	in		mm	in	mm	in	mm	in	Kg/m	lbs/ft.		
SSL812-K325	STANDARD	5400	1220	0,6	0,1	0.004	no	82,5	3 ¼	1,5	0.06	150	5.9	2,6	1.7		
SS812-K400					101,6	4		3,0	2.0								
SS812-K450					114,3	4 ½		3,3	2.2								
SS812-K600					152,4	6		4,2	2.8								
SS812-K750					190,5	7 ½		5,1	3.4								
SSE815-K250	Extra plus	6000	1350	0,3	0,15	0.006	no	63,5	2 ½	1,8	0.07	150	5.9	2,3	1.5		
SSE815-K263					66,8	2 ⅝		2,4	1.6								
SSE815-K300					76,2	3		2,5	1.7								
SSEL815-K325					0,10	0.004	82,5	3 ¼	1,5	0.06	2,6			1.7			
SSSR815-K325					0,15	0.006	82,5	3 ¼			2,8			0.11	75	2.9	2,6
SPSL815-K330					0,10	0.004	yes	83,8	3 ⅞	1,5	0.06			150	5.9	2,6	1.7
SSE815-K350					0,15	0.006	no	88,9	3 ½	1,8	0.07					2,7	1.8
SSE815-K400					0,2	0.008		101,6	4							3,0	2.0
SSE815-K750					0,3	0.012		190,5	7 ½					5,1	3.4		
SSEL815-K325HB					Extra plus HB	6000	1350	0,3	0,10	0.004	no			82,5	3 ¼	1,5	0.06
SSE815-K350HB	0,15	0.006	88,9	3 ½					2,7	1.8							
SSE815-K450HB	0,2	0.008	114,3	4 ½					3,3	2.2							
SSE815-K600HB	0,3	0.012	152,4	6					4,2	2.8							
SSE815-K750HB	190,5	7 ½	5,1	3.4													

Standard length: 80 pitches (10 ft. - 3,048 m)

Breaking load according to standard ISO 4348 - DIN 8153

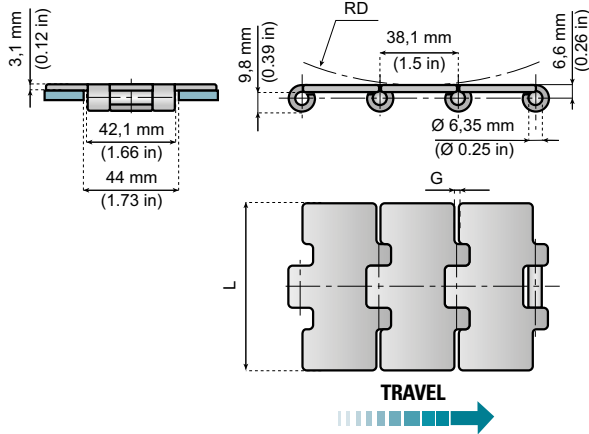
Chains & sprockets	Wear strips	Side guide brackets & accessories	Levelers	Engineering manual
Modular belts & sprockets	Chain & belt return systems	Frame & structure supports	Bearing supports	
Curves & tracks	Side guide solutions	Miscellaneous products	Equipment	

11030b

815

www.SystemPlastSmartGuide.com

STRAIGHT RUNNING CHAINS - CARBON STEEL AND AUSTENITIC STAINLESS STEEL



Advantages:

- Complete program to cover all applications
- All materials
- All sizes

MOQ Min. order quantity: 100 m.

11040a

See also the chains:

11020a
11030a

ITEM DESCRIPTION	MATERIAL	MAX. WORKING LOAD		FINISH µm	FLATNESS (MAX)		POLISHED HINGES	WIDTH L		G		RD		WEIGHT	
		N	lbs		mm	in		mm	in	mm	in	Kg/m	lbs/ft.		
S815-K325	C 45	12000	2700	-	-	-	no	82,5	3 ¼	1,8	0.07	150	5.9	2,6	1.7
S815-K350								88,9	3 ½					2,7	1.8
S815-K450								114,3	4 ½					3,3	2.2
S815-K600								152,4	6					4,2	2.8
S815-K750								190,5	7 ½					5,1	3.4
SSA815-K325	Austenitic	5300	1190	0,3	0,15	0.006	no	82,5	3 ¼	1,8	0.07	150	5.9	2,6	1.7
SSA815-K330								83,8	3 19/64					2,6	1.7
SSA815-K350 ^{MOQ}								88,9	3 ½					2,7	1.8
SSA815-K450					114,3	4 ½		3,3	2.2						
SSA815-K600					152,4	6		4,2	2.8						
SSA815-K750					190,5	7 ½		5,1	3.4						

Standard length: 80 pitches (3,048 m - 10 ft.)

Breaking load according to standard ISO 4348 - DIN 8153

Chains & sprockets	Wear strips	Side guide brackets & accessories	Levelers	Engineering manual
Modular belts & sprockets	Chain & belt return systems	Frame & structure supports	Bearing supports	
Curves & tracks	Side guide solutions	Miscellaneous products	Equipment	

1 1 0 4 0 a

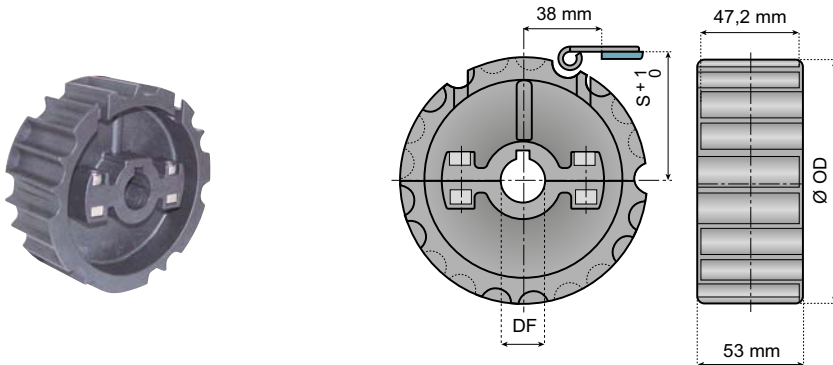
DRIVE SPROCKETS

www.SystemPlastSmartGuide.com

FOR CHAINS 812 - 815 (VG) - 881 (M-MO)

Features:

- Split versions: quick and easy replacement.
- Foolproof design.
- Excellent wear and chemical resistance.
- Recyclable.



Z	Ø 25	Ø 30	Ø 35	Ø 40	Ø 45
	ITEM DESCRIPTION				
21	815-21R25M-DS	815-21R30M-DS	815-21R35M-DS	815-21R40M-DS	815-21R45M-DS
23	815-23R25M-DS	815-23R30M-DS	815-23R35M-DS	815-23R40M-DS	-
25	815-25R25M-DS	815-25R30M-DS	815-25R35M-DS	815-25R40M-DS	815-25R45M-DS

Z	Ø OD mm	Ø P mm	S mm
21	129	129,26	67,8
23	142	141,21	73,8
25	154	153,21	79,8

Material: reinforced polyamide (black); screws in stainless steel, nuts in nickel plated brass, DIN 6885 key seat.



Information about this product is only available on our Smart Guide® website.



See also the sprockets and idler wheels:

1 1 0 4 0 b **1 1 0 5 0 a**
1 1 0 5 0 b **1 1 0 9 0 c**



See also the chains:

812-815
1 1 0 2 0 a **1 1 0 3 0 a** **1 1 0 3 0 b**

815 VG
1 1 1 5 0 a

881M - 881MO
1 1 0 6 0 a

Chains & sprockets	Wear strips	Side guide brackets & accessories	Levelers	Engineering manual
Modular belts & sprockets	Chain & belt return systems	Frame & structure supports	Bearing supports	
Curves & tracks	Side guide solutions	Miscellaneous products	Equipment	



1 1 0 4 0 b

DRIVE AND RETURN SPROCKETS

www.SystemPlastSmartGuide.com

FOR CHAINS 812-815 (VG)-881 (M-MO-TAB-VG)-8157 (VG)-8857TAB

New design

3 0 9 9 0 a

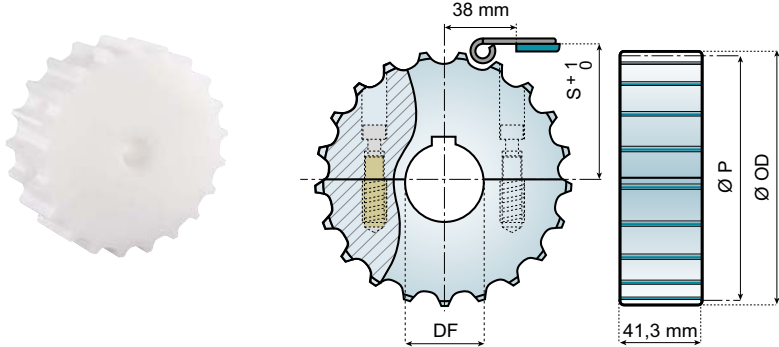
Features:

- Very high strength.
- Split versions: quick and easy replacement.
- Foolproof design.
- Completely closed structure, easy to clean and to disinfect.
- Excellent wear and chemical resistance.
- Recyclable.



For machined sprockets with flanges, go to:

1 1 0 9 0 d



Z	Ø OD mm	Ø P mm	S mm
17	103,9	105,47	55,9
19	117	117,34	61,9
21	129	129,26	67,8
23	142	141,21	73,8
25	154	153,21	79,8
27	166,8	165,20	85,8
29	178,5	177,24	91,8

MACHINED DRIVE SPROCKETS - SPLIT FIXED

Z	Ø 23*	Ø 25	Ø 30	Ø 35	Ø 40	Ø 45
	ITEM DESCRIPTION					
17	-	815-17R25M-DMS	815-17R30M-DMS	815-17R35M-DMS	815-17R40M-DMS	-
19	-	815-19R25M-DMS	815-19R30M-DMS	815-19R35M-DMS	815-19R40M-DMS	-
21	-	815-21R25M-DMS	815-21R30M-DMS	815-21R35M-DMS	815-21R40M-DMS	815-21R45M-DMS
23	-	815-23R25M-DMS	815-23R30M-DMS	815-23R35M-DMS	815-23R40M-DMS	815-23R45M-DMS
25	-	815-25R25M-DMS	815-25R30M-DMS	815-25R35M-DMS	815-25R40M-DMS	815-25R45M-DMS
27	-	815-27R25M-DMS	815-27R30M-DMS	815-27R35M-DMS	815-27R40M-DMS	-
29	-	815-29R25M-DMS	-	815-29R35M-DMS	815-29R40M-DMS	-

MACHINED RETURN SPROCKETS - SPLIT

17	815-17R23M-RMS	815-17R25M-RMS	815-17R30M-RMS	815-17R35M-RMS	815-17R40M-RMS	-
19	815-19R23M-RMS	815-19R25M-RMS	815-19R30M-RMS	815-19R35M-RMS	815-19R40M-RMS	-
21	815-21R23M-RMS	815-21R25M-RMS	815-21R30M-RMS	815-21R35M-RMS	815-21R40M-RMS	-
23	815-23R23M-RMS	815-23R25M-RMS	815-23R30M-RMS	815-23R35M-RMS	815-23R40M-RMS	-
25	815-25R23M-RMS	815-25R25M-RMS	815-25R30M-RMS	815-25R35M-RMS	815-25R40M-RMS	-
27	815-27R23M-RMS	815-27R25M-RMS	815-27R30M-RMS	815-27R35M-RMS	815-27R40M-RMS	-
29	815-29R23M-RMS	815-29R25M-RMS	815-29R30M-RMS	815-29R35M-RMS	815-29R40M-RMS	-

Material: polyamide (natural white); screws in stainless steel, bushings in brass, DIN 6885 key seat. *Plain bore

See also the chains:

- 812-815
- 1 1 0 2 0 a
 - 1 1 0 3 0 a
 - 1 1 0 3 0 b

- 815 VG
- 1 1 1 5 0 a
- 881M - 881MO
- 1 1 0 6 0 a

- 815 VG TAB
- 1 1 1 5 0 a
- 8857 TAB
- 1 1 1 1 0 a

See also the sprockets and idler wheels:

- 1 1 0 4 0 a
- 1 1 0 5 0 a
- 1 1 0 5 0 b
- 1 1 0 9 0 c



Information about this product is only available on our Smart Guide® website.

Chains & sprockets	Wear strips	Side guide brackets & accessories	Levelers	Engineering manual
Modular belts & sprockets	Chain & belt return systems	Frame & structure supports	Bearing supports	
Curves & tracks	Side guide solutions	Miscellaneous products	Equipment	

11050a

IDLER WHEELS

www.SystemPlastSmartGuide.com

FOR CHAINS 812 - 815 (VG) - 820 - 828 - 831 (LBP) - 881 (M-MO)

Features:

- Split versions: quick and easy replacement.
- Excellent wear and chemical resistance.
- Recyclable.



See also the chains:

812-815

11020a

11030a

11030b

LBP 831

11340a

881M - 881MO

11060a

820 - 820P - 831

11190a

828

11210a



Information about this product is only available on our Smart Guide® website.

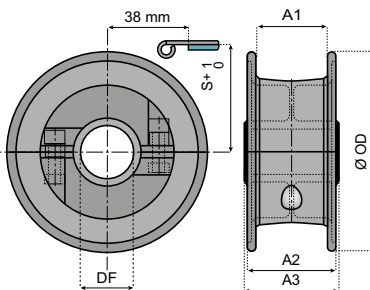
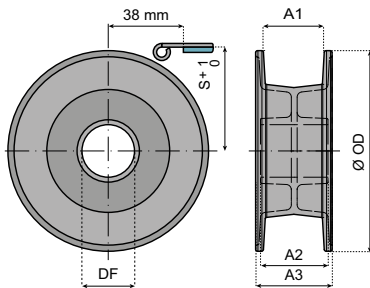


See also the sprockets and idler wheels:

11050b

11040b

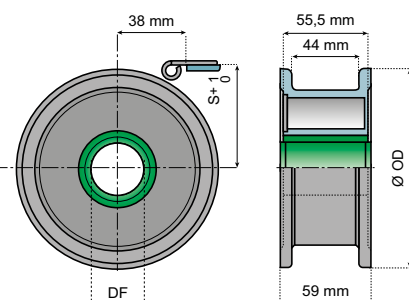
11090c



MOLDED IDLER WHEELS - ONE PIECE				
Z	Ø 25	Ø 30	Ø 35	Ø 40
	ITEM DESCRIPTION			
15	-	820-15R30M-W	820-15R35M-W	820-15R40M-W
17	820-17R25M-W	820-17R30M-W	-	-
19	820-19R25M-W	820-19R30M-W	820-19R35M-W	820-19R40M-W
MOLDED IDLER WHEELS - SPLIT FLOATING				
21	820-21R25M-WS	820-21R30M-WS	820-21R35M-WS	820-21R40M-WS
23	820-23R25M-WS	820-23R30M-WS	820-23R35M-WS	820-23R40M-WS
25	820-25R25M-WS	820-25R30M-WS	820-25R35M-WS	820-25R40M-WS

Material: reinforced polyamide (black); screws in stainless steel, nuts in stainless steel.

SELF-LUBE BUSHING



Z	Ø OD mm	S mm	A1 mm	A2 mm	A3 mm
15	90	48,2	48	82	82
17	106	56,2	44	52	52
19	117	62,6	44	52	58
21	129,8	68,6	44	57	61
23	142,2	74,6	44	57	61
25	154,7	80,5	44	57	61

Features:

- Completely closed structure, easy to clean and to disinfect.
- Excellent wear and chemical resistance.
- Recyclable.

MOLDED IDLER WHEELS - ONE PIECE				
Z	Ø 25	Ø 30	Ø 35	Ø 40
	ITEM DESCRIPTION			
21	820-21R25M-WL	820-21R30M-WL	820-21R35M-WL	820-21R40M-WL
23	820-23R25M-WL	820-23R30M-WL	820-23R35M-WL	820-23R40M-WL
25	820-25R25M-WL	820-25R30M-WL	820-25R35M-WL	820-25R40M-WL

Material: reinforced polyamide (black).

Chains & sprockets	Wear strips	Side guide brackets & accessories	Levelers	Engineering manual
Modular belts & sprockets	Chain & belt return systems	Frame & structure supports	Bearing supports	
Curves & tracks	Side guide solutions	Miscellaneous products	Equipment	



11050b

MACHINED IDLER WHEELS

www.SystemPlastSmartGuide.com

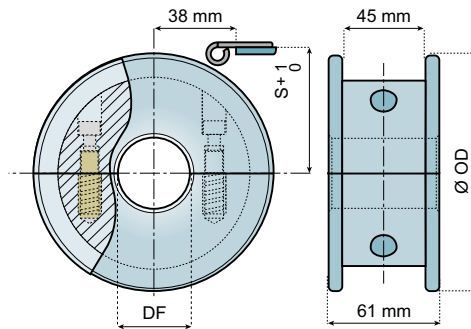
FOR CHAINS 812 - 815 (VG) - 820 - 828 - 831 (LBP) - 881 (M-MO)

New design

30990a

Features:

- Very high strength.
- Split versions: quick and easy replacement.
- Foolproof design.
- Completely closed structure, easy to clean and to disinfect.
- Excellent wear and chemical resistance.
- Recyclable.



Z	Ø OD mm	S mm
17	104	56,2
19	117	62,6
21	129,8	68,6
23	142,2	74,6
25	154,7	80,5

MACHINED IDLER WHEELS - SPLIT

Z	Ø 20	Ø 25	Ø 30	Ø 35	Ø 40
	ITEM DESCRIPTION				
17	820-17R20M-WMS	820-17R25M-WMS	820-17R30M-WMS	820-17R35M-WMS	820-17R40M-WMS
19	820-19R20M-WMS	820-19R25M-WMS	820-19R30M-WMS	820-19R35M-WMS	820-19R40M-WMS
21	820-21R20M-WMS	820-21R25M-WMS	820-21R30M-WMS	820-21R35M-WMS	820-21R40M-WMS
23	820-23R20M-WMS	820-23R25M-WMS	820-23R30M-WMS	820-23R35M-WMS	820-23R40M-WMS
25	820-25R20M-WMS	820-25R25M-WMS	820-25R30M-WMS	820-25R35M-WMS	820-25R40M-WMS

Material: polyamide (natural white); screws in stainless steel, bushings in brass.



See also the chains:

812-815

11020a

11030a

11030b

815 VG

11150a

820 - 820P - 831

11190a

881M - 881MO

11060a

LBP 831

11340a

828

11210a



See also the sprockets and idler wheels:

11050a

11040b

11090c



Information about this product is only available on our Smart Guide® website.

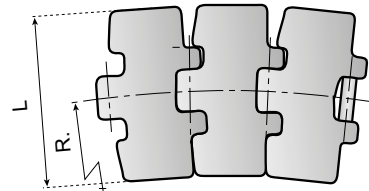
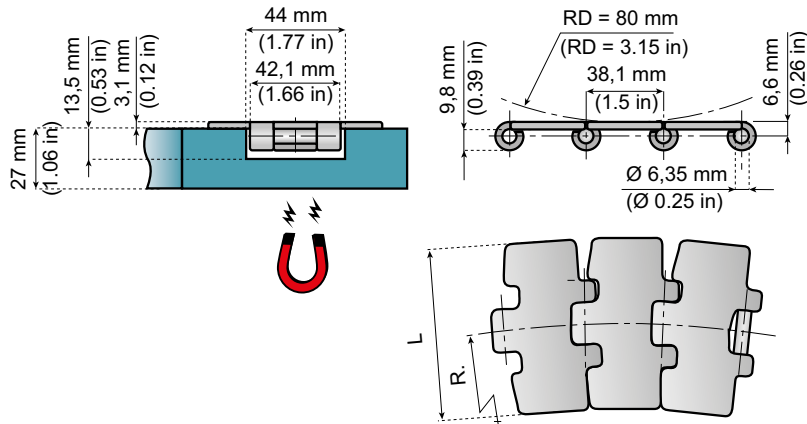
Chains & sprockets	Wear strips	Side guide brackets & accessories	Levelers	Engineering manual
Modular belts & sprockets	Chain & belt return systems	Frame & structure supports	Bearing supports	
Curves & tracks	Side guide solutions	Miscellaneous products	Equipment	

11060a

881M - 881MO

www.SystemPlastSmartGuide.com

SIDEFLEXING CHAINS FOR MAGNETIC SYSTEM



Characteristics:

- The chains series 881 M and 8857 M are securely retained in the curve by magnets located under the hinge of the chain in the upper part of curve. As there are no TAB or BEVEL shoes on these chains they can be easily removed from the curve for maintenance or for cleaning, without dismantling the chain.
- The enlarged surface of our 881 MO series offers improved product support compared to the 881 M series.

Advantages:

- Optimum flatness of chains in curves
- Less power consumption
- For high speed lines
- Best product transfer along as well as across the running direction
- All advantages of the magnetic system
- The best choice for the most demanding applications, like pressureless combiners and high speed applications
- Improved flatness
- Optimum product stability

Pin Material: Ferritic Stainless Steel.



Information about this product is only available on our Smart Guide® website.



50010a



11040a

EXTRA PLUS HB

Vacuum hardened stainless steel pins

page code:

73560a

Other versions 881MO:

VG
Rubber top



881 M - 881MO SIDEFLEXING CHAINS FOR MAGNETIC SYSTEM

ITEM DESCRIPTION	MATERIAL	MAX. WORKING LOAD		FINISH µm	FLATNESS (MAX)		POLISHED HINGES	WIDTH L		R MIN.		WEIGHT	
		N	lbs		mm	in		mm	in	mm	in	Kg/m	lbs/ft.
SSL881MO-K325	STANDARD	5400	1220	0,6	0,1	0.004	yes	82,5	3 ¼	500	19.7	2,6	1.7
SS881M-K450					0,2	0.008		114,3	4 ½			3,1	2.1
SS881M-K750					0,3	0.012		190,5	7 ½			4,9	3.3
SSEL881MO-K325	Extra plus	6000	1350	0,3	0,1	0.004	yes	82,5	3 ¼	500	19.7	2,6	1.7
SSE881MO-K330					0,15	0.006		83,8	3 19/64			2,7	1.8
SSE881M-K750					0,3	0.012		190,5	7 ½			4,9	3.3
SSEL881MO-K325HB	Extra plus HB	6000	1350	0,3	0,1	0.004	yes	82,5	3 ¼	500	19.7	2,5	1.7
SSE881MO-K330HB					0,15	0.006		83,8	3 19/64			2,7	1.8
SSE881M-K450HB					0,2	0.008		114,3	4 ½			3,1	2.1
SSE881M-K750HB					0,4	0.016		190,5	7 ½			4,9	3.3

L881 MO SPEED - LINE SIDEFLEXING CHAINS FOR MAGNETIC SYSTEM

ITEM DESCRIPTION	MATERIAL	MAX. WORKING LOAD		FINISH µm	FLATNESS (MAX)		POLISHED HINGES	WIDTH L		R MIN.		WEIGHT	
		N	lbs		mm	in		mm	in	mm	in	Kg/m	lbs/ft.
SPSL881MO-K325	Extra plus	6000	1.350	0,2 ▽▽▽ SUPERFINISH	0,1	0.004	yes	82,5	3 ¼	500	19.7	2,5	1.7
SPSL881MO-K330								83,8	3 19/64			2,6	
SPSL881MO-K325HB	Extra plus HB	6000	1.350	0,2 ▽▽▽ SUPERFINISH	0,1	0.004	yes	82,5	3 ¼	500	19.7	2,5	1.7
SPSL881MO-K330HB								83,8	3 19/64			2,6	

Standard length: 80 pitches (10 ft. - 3,048 m)

Breaking load according to standard ISO 4348 - DIN 8153

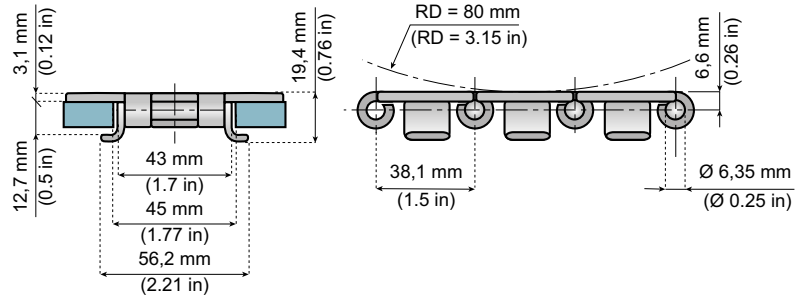
Chains & sprockets	Wear strips	Side guide brackets & accessories	Levelers	Engineering manual
Modular belts & sprockets	Chain & belt return systems	Frame & structure supports	Bearing supports	
Curves & tracks	Side guide solutions	Miscellaneous products	Equipment	

11070a

881R TAB - 8810 TAB

SIDEFLEXING CHAINS FOR TAB SYSTEM

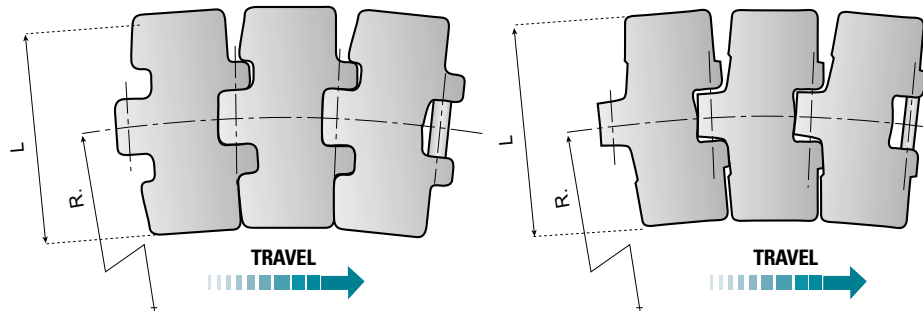
www.SystemPlastSmartGuide.com



8810 chain utilizes an optimized hinge versus previous 881 design for better product handling. 8810 uses the same sprockets and wear track as 881 but the two are not able to be linked together due to different link design.

8810 TAB Optimized hinge shape

881R TAB



ITEM DESCRIPTION	MATERIAL	MAX. WORKING LOAD		FINISH μm	WIDTH L		R MIN.		WEIGHT	
		N	lbs		mm	in	mm	in	Kg/m	lbs/ft.
SS881OTAB-K325	STANDARD	4400	990	0,6	82,5	3 ¼	500	19.7	3,0	2.0
SS881OTAB-K450					114,3	4 ½			3,0	2.0
SSE881RTAB-K325	EXTRA	4850	1090	0,6	82,5	3 ¼	200	7.9	3,0	2.0
SSE881OTAB-K325	Extra plus	6000	1350	0,3	82,5	3 ¼	500	19.7	3,0	2.0
SSE881OTAB-K450					114,3	4 ½			3,7	2.5
SSE881OTAB-K750					190,5	7 ½			5,5	3.7
SSE881OTAB-K325HB	Extra plus HB				82,5	3 ¼			3,0	2.0
SSA881OTAB-K325	Austenitic	4500	3020	0,3	82,5	3 ¼	500	19.7	3,00	2.0
SSA881OTAB-K450					114,3	4 ½			3,70	2.5
SSA881OTAB-K750 ^{MOQ}					190,5	7 ½			5,50	3.7

Standard length: 80 pitches (10 ft. - 3,048 m)

Breaking load according to standard ISO 4348 - DIN 8153

MOQ Min. order quantity: 30 m.



Information about this product is only available on our Smart Guide® website.



11090a



50110a

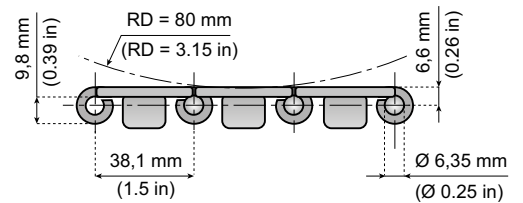
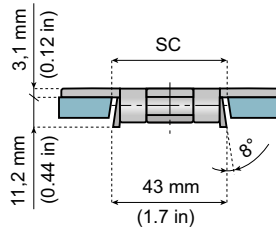
Chains & sprockets	Wear strips	Side guide brackets & accessories	Levelers	Engineering manual
Modular belts & sprockets	Chain & belt return systems	Frame & structure supports	Bearing supports	
Curves & tracks	Side guide solutions	Miscellaneous products	Equipment	

11080a

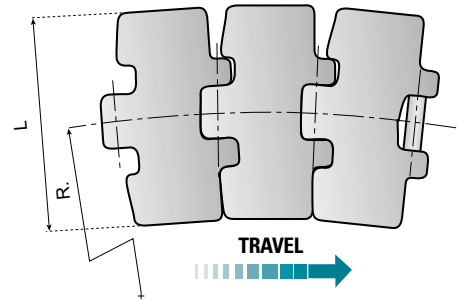
8810

www.SystemPlastSmartGuide.com

SIDEFLEXING CHAINS BEVEL SYSTEM



8810 TAB Optimized hinge shape



ITEM DESCRIPTION	MATERIAL	MAX. WORKING LOAD		FINISH μm	WIDTH L		R MIN.		SC				WEIGHT	
		N	lbs		mm	in	mm	in	STRAIGHT		CURVING		Kg/m	lbs/ft.
									mm	in	mm	in		
SSE8810-K325	Extra plus	6000	1350	0,3	82,5	3 ¼	500	19.7	44,5	1.75	41,5	1.63	3,00	2.0
SSE8810-K350					88,9	3 ½							3,20	2.2
SSE8810-K450					114,3	4 ½							3,70	2.5
SSE8810-K750					190,5	7 ½							5,50	3.7
SSA8810-K325	Austenitic	4500	1012	0,3	82,5	3 ¼	500	19.7	44,5	1.76	41,5	1.6	3,00	2.0
SSA8810-K450					114,3	4 ½							3,70	2.5

Standard length: 80 pitches (10 ft. - 3,048 m)

Breaking load according to standard ISO 4348 - DIN 8153



Information about this product is only available on our Smart Guide® website.



11090a



50130a

Chains & sprockets	Wear strips	Side guide brackets & accessories	Levelers	Engineering manual
Modular belts & sprockets	Chain & belt return systems	Frame & structure supports	Bearing supports	
Curves & tracks	Side guide solutions	Miscellaneous products	Equipment	



11090a

DRIVE AND RETURN SPROCKETS

FOR CHAINS 8810(TAB) - 881R TAB - 881MO VG

www.SystemPlastSmartGuide.com

Features:

- Split versions: quick and easy replacement.
- Foolproof design.
- Excellent wear and chemical resistance.
- Recyclable.



See also the chains:

881 MO VG
11160a
881R TAB - 881O TAB
11070a
881O
11080a



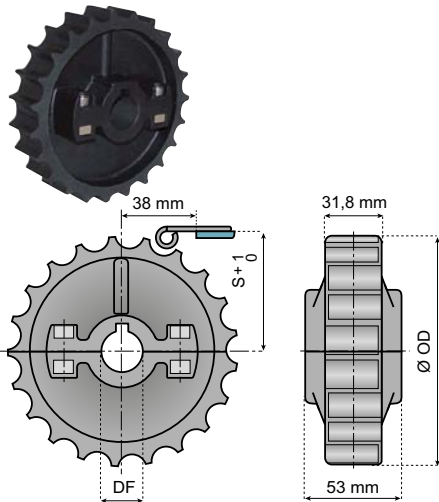
See also the sprockets and idler wheels:

11090b

11090c



Information about this product is only available on our Smart Guide® website.



MOLDED DRIVE SPROCKETS - SPLIT FIXED

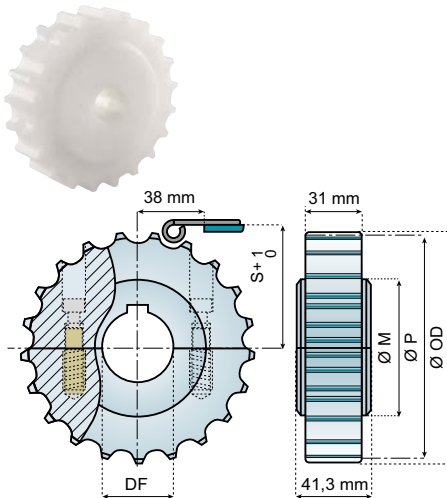
Z	Ø25	Ø 30	Ø 35	Ø 40
	ITEM DESCRIPTION			
21	881-21R25M-DS	881-21R30M-DS	881-21R35M-DS	881-21R40M-DS
23	881-23R25M-DS	881-23R30M-DS	881-23R35M-DS	881-23R40M-DS
25	881-25R25M-DS	881-25R30M-DS	881-25R35M-DS	881-25R40M-DS



MOLDED RETURN SPROCKETS - SPLIT

21	881-21R25M-RS	881-21R30M-RS	881-21R35M-RS	881-21R40M-RS
23	881-23R25M-RS	881-23R30M-RS	881-23R35M-RS	881-23R40M-RS
25	881-25R25M-RS	881-25R30M-RS	881-25R35M-RS	881-25R40M-RS

Material: reinforced polyamide (black); screws in stainless steel, nuts in nickel plated brass, DIN 6885 key seat.



New design

30990a

Features:

- Very high strength.
- Split versions: quick and easy replacement.
- Foolproof design.
- Completely closed structure, easy to clean and to disinfect.
- Excellent wear and chemical resistance.
- Recyclable.

Z	Ø OD mm	Ø P mm	Ø M mm	S mm
17	103,9	105,47	70	55,9
19	117	117,34	70	61,9
21	129	129,26	85	67,8
23	142	141,21	90	73,8
25	154	153,21	90	79,8



MACHINED DRIVE SPROCKETS - SPLIT FIXED

Z	Ø 23*	Ø 25	Ø 30	Ø 35	Ø 40
	ITEM DESCRIPTION				
17	-	881-17R25M-DMS	881-17R30M-DMS	881-17R35M-DMS	881-17R40M-DMS
19	-	881-19R25M-DMS	881-19R30M-DMS	881-19R35M-DMS	881-19R40M-DMS
21	-	881-21R25M-DMS	881-21R30M-DMS	881-21R35M-DMS	881-21R40M-DMS
23	-	881-23R25M-DMS	881-23R30M-DMS	881-23R35M-DMS	881-23R40M-DMS
25	-	881-25R25M-DMS	881-25R30M-DMS	881-25R35M-DMS	881-25R40M-DMS



MACHINED RETURN SPROCKETS - SPLIT

17	881-17R23M-RMS	881-17R25M-RMS	881-17R30M-RMS	881-17R35M-RMS	881-17R40M-RMS
19	881-19R23M-RMS	881-19R25M-RMS	881-19R30M-RMS	881-19R35M-RMS	881-19R40M-RMS
21	881-21R23M-RMS	881-21R25M-RMS	881-21R30M-RMS	881-21R35M-RMS	881-21R40M-RMS
23	881-23R23M-RMS	881-23R25M-RMS	881-23R30M-RMS	881-23R35M-RMS	881-23R40M-RMS
25	881-25R23M-RMS	881-25R25M-RMS	881-25R30M-RMS	881-25R35M-RMS	881-25R40M-RMS

Material: polyamide (natural white); screws in stainless steel, bushings in brass, DIN 6885 key seat.*Plain bore

Chains & sprockets	Wear strips	Side guide brackets & accessories	Levelers	Engineering manual
Modular belts & sprockets	Chain & belt return systems	Frame & structure supports	Bearing supports	
Curves & tracks	Side guide solutions	Miscellaneous products	Equipment	



11090b

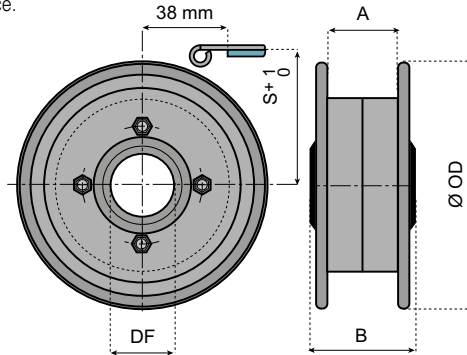
IDLER WHEELS

www.SystemPlastSmartGuide.com

FOR CHAINS 815VG TAB - 881R TAB - 8810 TAB - 8157 - 8857M

Features:

- Completely closed structure, easy to clean and to disinfect.
- Excellent wear and chemical resistance.
- Recyclable.



Z	Ø OD mm	S mm
17	104,0	56,2
19	117,0	62,6
21	129,8	68,6
23	142,2	74,6
25	154,7	80,5
27	167,2	86,5
29	179,3	92,8

MOLDED IDLER WHEELS - ONE PIECE		
A=59 / B=75		
Z	Ø 30	Ø 40
ITEM DESCRIPTION		
19	881T-19R30M-W	881T-19R40M-W
21	881T-21R30M-W	881T-21R40M-W
23	881T-23R30M-W	881T-23R40M-W
25	881T-25R30M-W	881T-25R40M-W

Material: reinforced polyamide (black); screws in stainless steel.



See also the sprockets and idler wheels:

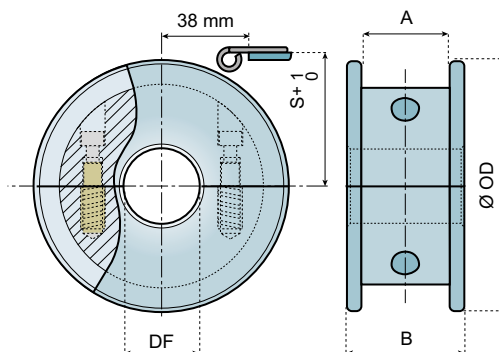
11090a

New design

30990a

Features:

- Very high strength.
- Split versions: quick and easy replacement.
- Foolproof design.
- Completely closed structure, easy to clean and to disinfect.
- Excellent wear and chemical resistance.
- Recyclable.



Information about this product is only available on our Smart Guide® website.



See also the chains:

881R TAB - 8810 TAB
11070a

8157
11100a

8857 M VG
11160a

8857 M
11110a

815 VG TAB
11150a

8257
11310a

MACHINED IDLER WHEELS - SPLIT					
A=60 / B=75					
Z	Ø 20	Ø 25	Ø 30	Ø 35	Ø 40
ITEM DESCRIPTION					
17	881T-17R20M-WMS	881T-17R25M-WMS	881T-17R30M-WMS	881T-17R35M-WMS	881T-17R40M-WMS
19	881T-19R20M-WMS	881T-19R25M-WMS	881T-19R30M-WMS	881T-19R35M-WMS	881T-19R40M-WMS
21	881T-21R20M-WMS	881T-21R25M-WMS	881T-21R30M-WMS	881T-21R35M-WMS	881T-21R40M-WMS
23	881T-23R20M-WMS	881T-23R25M-WMS	881T-23R30M-WMS	881T-23R35M-WMS	881T-23R40M-WMS
25	881T-25R20M-WMS	881T-25R25M-WMS	881T-25R30M-WMS	881T-25R35M-WMS	881T-25R40M-WMS
27	881T-27R20M-WMS	881T-27R25M-WMS	881T-27R30M-WMS	881T-27R35M-WMS	881T-27R40M-WMS
29	881T-29R20M-WMS	881T-29R25M-WMS	881T-29R30M-WMS	881T-29R35M-WMS	881T-29R40M-WMS

Material: polyamide (natural white); screws in stainless steel, bushings in brass.



Chains & sprockets	Wear strips	Side guide brackets & accessories	Levelers	Engineering manual
Modular belts & sprockets	Chain & belt return systems	Frame & structure supports	Bearing supports	
Curves & tracks	Side guide solutions	Miscellaneous products	Equipment	



11090c

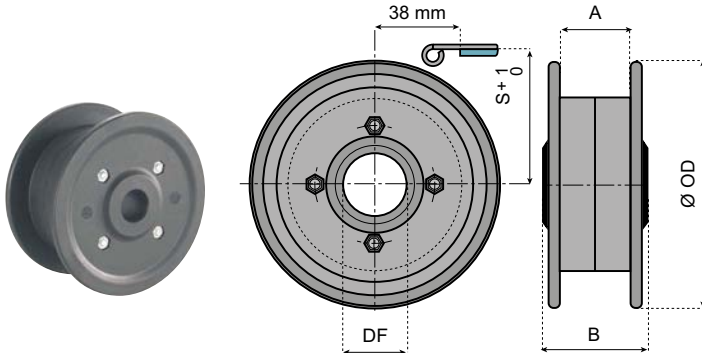
www.SystemPlastSmartGuide.com

IDLER WHEELS

FOR CHAINS 8810 - 881MO VG

Features:

- Completely closed structure, easy to clean and to disinfect.
- Excellent wear and chemical resistance.
- Recyclable.



MOLDED IDLER WHEELS - ONE PIECE FOR BEVEL CHAINS				
A=44 / B=60				
Z	Ø 25	Ø 30	Ø 35	Ø 40
ITEM DESCRIPTION				
19	FOR THESE IDLER WHEELS GO TO: 11050a (MIN Z19 IS SUITABLE)			
21				
23				
25				

Z	Ø OD mm	S mm
19	117,0	62,6
21	129,8	68,6
23	142,2	74,6
25	154,7	80,5



Material: reinforced polyamide (black); screws in stainless steel.
Application: chains series 8810.

See also the sprockets and idler wheels:

11090a

See also the chains:

8810

11080a

881 MO VG

11160a



Information about this product is only available on our Smart Guide® website.

Chains & sprockets	Wear strips	Side guide brackets & accessories	Levelers	Engineering manual
Modular belts & sprockets	Chain & belt return systems	Frame & structure supports	Bearing supports	
Curves & tracks	Side guide solutions	Miscellaneous products	Equipment	



11090d

DRIVE SPROCKETS

www.SystemPlastSmartGuide.com

FOR CHAINS 812 - 815 (VG) - 881 (M-MO)



STAINLESS STEEL GUIDE RINGS

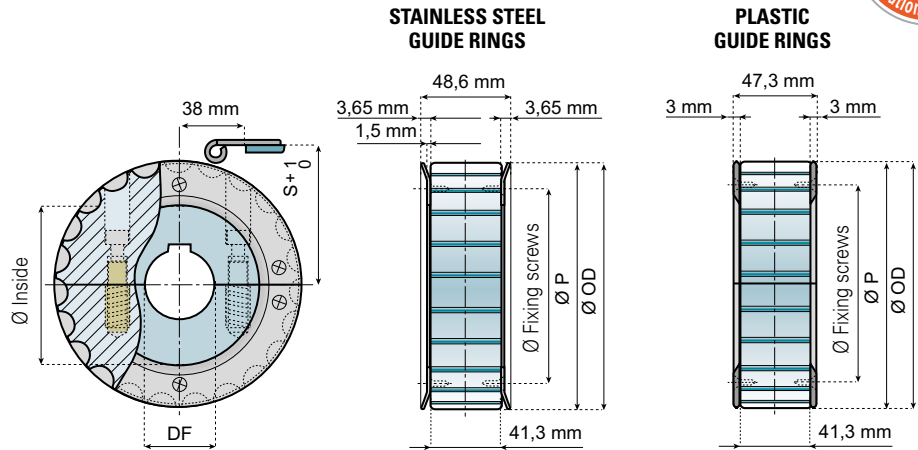
New design

30990a

Features:

- Very high strength.
- Split versions: quick and easy replacement.
- Foolproof design.
- Completely closed structure, easy to clean and to disinfect.
- Excellent wear and chemical resistance.
- Recyclable.

Z	Ø OD mm	Ø P mm	S mm
21	129	129,26	67,8
23	142	141,21	73,8
25	154	153,21	79,8



Z	Ø 23*	Ø 30	Ø 40
	ITEM DESCRIPTION		
21	815-21R23M-RMS-FSS	815-21R30M-DMS-FSS	815-21R40M-DMS-FSS
25	815-25R23M-RMS-FSS	815-25R30M-DMS-FSS	815-25R40M-DMS-FSS

Material: polyamide (natural white); screws in stainless steel, bushings in brass, DIN 6885 key seat.
* Plain bore (without keyway)

LOOSE GUIDE RINGS: STAINLESS STEEL		
	Ø INSIDE	Ø FIXING SCREWS
GRINGK-129-79-SS	79	104
GRINGK-154-104-SS	104	128

Material: stainless steel, screws in stainless steel.
Supply: 4 segments and 12 screws



PLASTIC GUIDE RINGS

Z	Ø 23*	Ø 30	Ø 40
	ITEM DESCRIPTION		
21	815-21R23M-RMS-F	815-21R30M-DMS-F	815-21R40M-DMS-F
23	815-23R23M-RMS-F	815-23R30M-DMS-F	815-23R40M-DMS-F
25	815-25R23M-RMS-F	815-25R30M-DMS-F	815-25R40M-DMS-F

Material: polyamide (natural white); screws in stainless steel, bushings in brass, DIN 6885 key seat.
* Plain bore (without keyway)

LOOSE GUIDE RINGS: PLASTIC		
BLACK	Ø INSIDE	Ø FIXING SCREWS
GRINGK-129-79-PAB	79	104
GRINGK-142-92-PAB	92	116
GRINGK-154-104-PAB	104	128

Material: reinforced polyamide, screws in stainless steel.
Supply: 4 segments and 12 screws

See also the chains:

See also the sprockets and idler wheels:

812-815
11020a **11060a**
11030a
11030b

11040a **11050a**
11040b **11050b**



Information about this product is only available on our Smart Guide® website.

Chains & sprockets	Wear strips	Side guide brackets & accessories	Levelers	Engineering manual
Modular belts & sprockets	Chain & belt return systems	Frame & structure supports	Bearing supports	
Curves & tracks	Side guide solutions	Miscellaneous products	Equipment	

11100a

8157

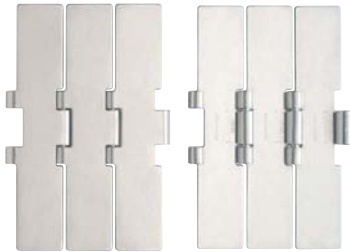
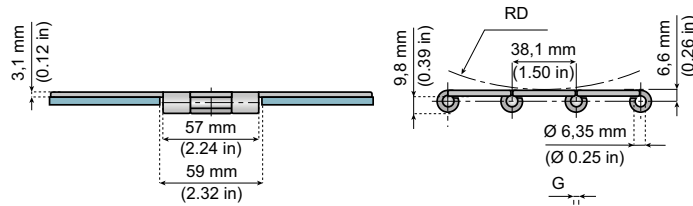
www.SystemPlastSmartGuide.com

STRAIGHT RUNNING CHAINS HEAVY DUTY SINGLE HINGE



Other versions 8157:

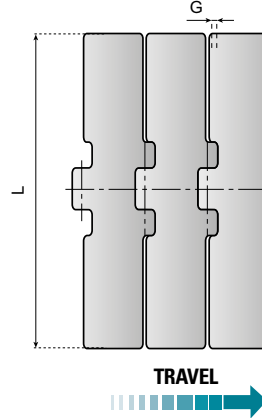
VG
Rubber top



EXTRA PLUS HB
Vacuum hardened stainless steel pins

page code:

73560a



Advantages:

- High strength
- Helps standardising your conveyor constructions.
- Same hinge width available in many chain types, both steel and plastic; also LBP chains and rubber top chains.

ITEM DESCRIPTION	MATERIAL	MAX. WORKING LOAD		FINISH μm	WIDTH L		G		RD		WEIGHT	
		N	lbs		mm	in	mm	in	mm	in	Kg/m	lbs/ft.
SSE8157-K750	Extra plus	10400	2340	0,3	190,5	7 ½	1,8	0.07	150	5.9	5,6	3.8
SSE8157-K750HB	Extra plus HB											

Standard length: 80 pitches (10 ft. - 3,048 m)

Breaking load according to standard ISO 4348 - DIN 8153

DRIVE SPROCKETS

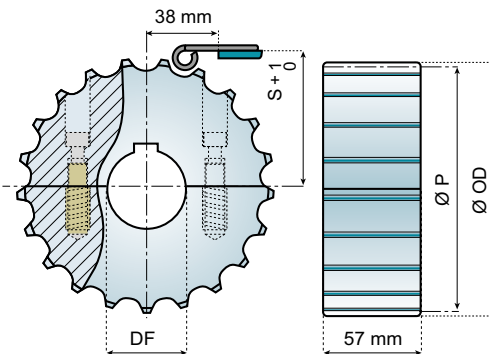
FOR CHAINS 8157 - 8857M - 8857M VG - 8157VG - 8157TAB VG



New design
30990a

Features:

- Very high strength.
- Split versions: quick and easy replacement.
- Foolproof design.
- Completely closed structure, easy to clean and to disinfect.
- Excellent wear and chemical resistance.
- Recyclable.



See also the chains:

8857 M
11110a
8857 M VG
11160a
8157VG
11180a



Information about this product is only available on our Smart Guide® website.



For machined sprockets with flanges, go to:

111100b



Also available: split idler wheels, go to:

111090b

MACHINED DRIVE SPROCKETS - SPLIT FIXED		
Z	Ø 30	Ø 40
	ITEM DESCRIPTION	
17	8157-17R30M-DMS	8157-17R40M-DMS
19	8157-19R30M-DMS	8157-19R40M-DMS
21	8157-21R30M-DMS	8157-21R40M-DMS
23	8157-23R30M-DMS	8157-23R40M-DMS
25	8157-25R30M-DMS	8157-25R40M-DMS

Z	Ø OD mm	Ø P mm	S mm
17	103,9	105,47	55,9
19	117	117,34	61,9
21	129	129,26	67,8
23	142	141,21	73,8
25	154	153,21	79,8

Material: polyamide (natural white); screws in stainless steel, bushings in brass, DIN 6885 key seat.

Chains & sprockets	Wear strips	Side guide brackets & accessories	Levelers	Engineering manual
Modular belts & sprockets	Chain & belt return systems	Frame & structure supports	Bearing supports	
Curves & tracks	Side guide solutions	Miscellaneous products	Equipment	



11100b

DRIVE SPROCKETS

www.SystemPlastSmartGuide.com

FOR CHAINS 8157 - 8857M

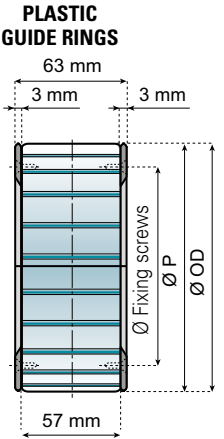
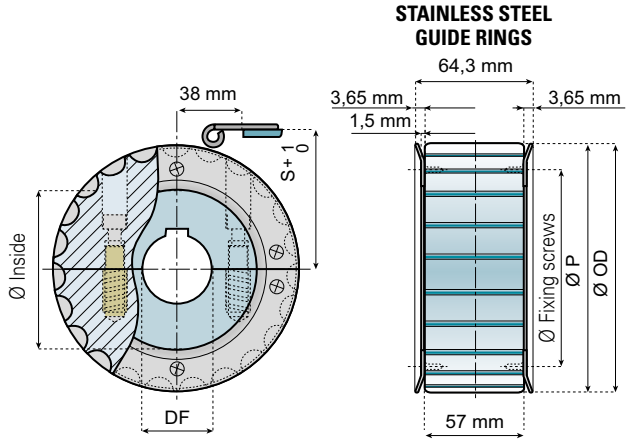


New design
30990a

Features:

- Very high strength.
- Split versions: quick and easy replacement.
- Foolproof design.
- Completely closed structure, easy to clean and to disinfect.
- Excellent wear and chemical resistance.
- Recyclable.

Z	Ø OD mm	Ø P mm	S mm	Ø INSIDE	Ø FIXING SCREWS
21	129	129,26	67,8	79	104
23	142	141,21	73,8	92	116
25	154	153,21	79,8	104	128



Z	MACHINED DRIVE SPROCKETS - SPLIT FIXED: STAINLESS STEEL GUIDE RINGS			
	Ø 23*	Ø 30	Ø 35	Ø 40
	ITEM DESCRIPTION			
21	8157-21R23M-RMS-FSS	8157-21R30M-DMS-FSS	8157-21R35M-DMS-FSS	8157-21R40M-DMS-FSS
25	8157-25R23M-RMS-FSS	8157-25R30M-DMS-FSS	8157-25R35M-DMS-FSS	8157-25R40M-DMS-FSS

Material: polyamide (natural white); screws in stainless steel, bushings in brass, DIN 6885 key seat.
* Plain bore (without keyway)

For stainless steel GUIDE RINGS, go to:
111090d



Z	MACHINED DRIVE SPROCKETS - SPLIT FIXED: PLASTIC GUIDE RINGS			
	Ø 23*	Ø 30	Ø 35	Ø 40
	ITEM DESCRIPTION			
21	8157-21R23M-RMS-F	8157-21R30M-DMS-F	8157-21R35M-DMS-F	8157-21R40M-DMS-F
23	8157-23R23M-RMS-F	8157-23R30M-DMS-F	8157-23R35M-DMS-F	8157-23R40M-DMS-F
25	8157-25R23M-RMS-F	8157-25R30M-DMS-F	8157-25R35M-DMS-F	8157-25R40M-DMS-F

Material: polyamide (natural white); screws in stainless steel, bushings in brass, DIN 6885 key seat.
* Plain bore (without keyway)

For plastic GUIDE RINGS, go to:
111090d

Also available: idler wheels, go to:
111090b

See also the chains:

8157 **11100a** 8857 M **11110a**
8857 M VG **11160a**

See also the sprockets and idler wheels:
11100a

Information about this product is only available on our Smart Guide® website.

Chains & sprockets	Wear strips	Side guide brackets & accessories	Levelers	Engineering manual
Modular belts & sprockets	Chain & belt return systems	Frame & structure supports	Bearing supports	
Curves & tracks	Side guide solutions	Miscellaneous products	Equipment	

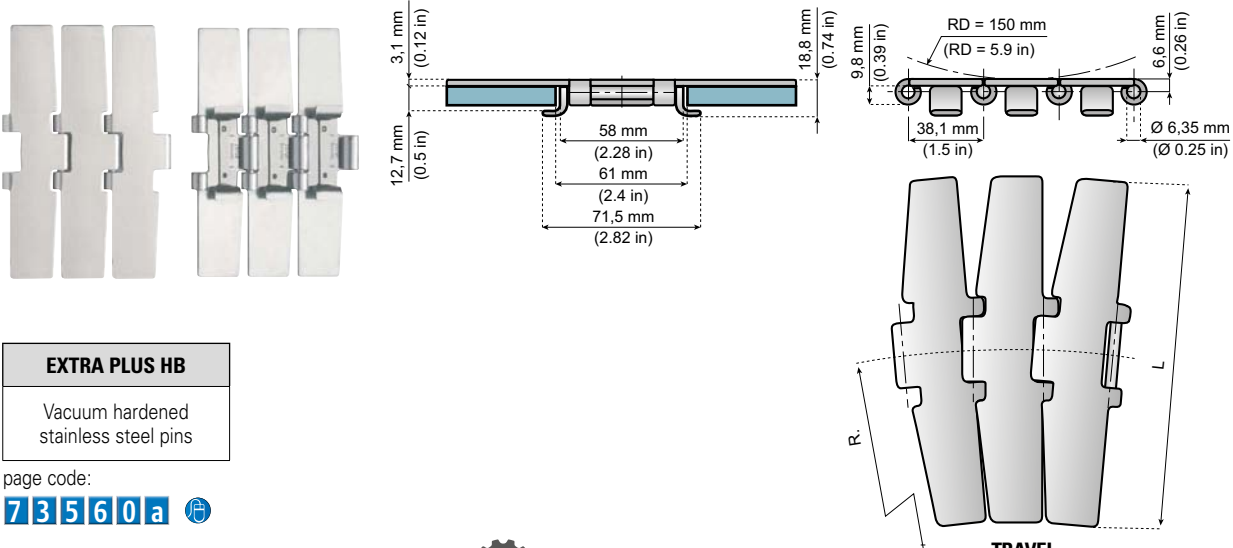


11110a

8857 TAB

www.SystemPlastSmartGuide.com

SIDEFLEXING CHAINS HEAVY DUTY



EXTRA PLUS HB
Vacuum hardened stainless steel pins

page code:
73560a

Advantages:
High strength

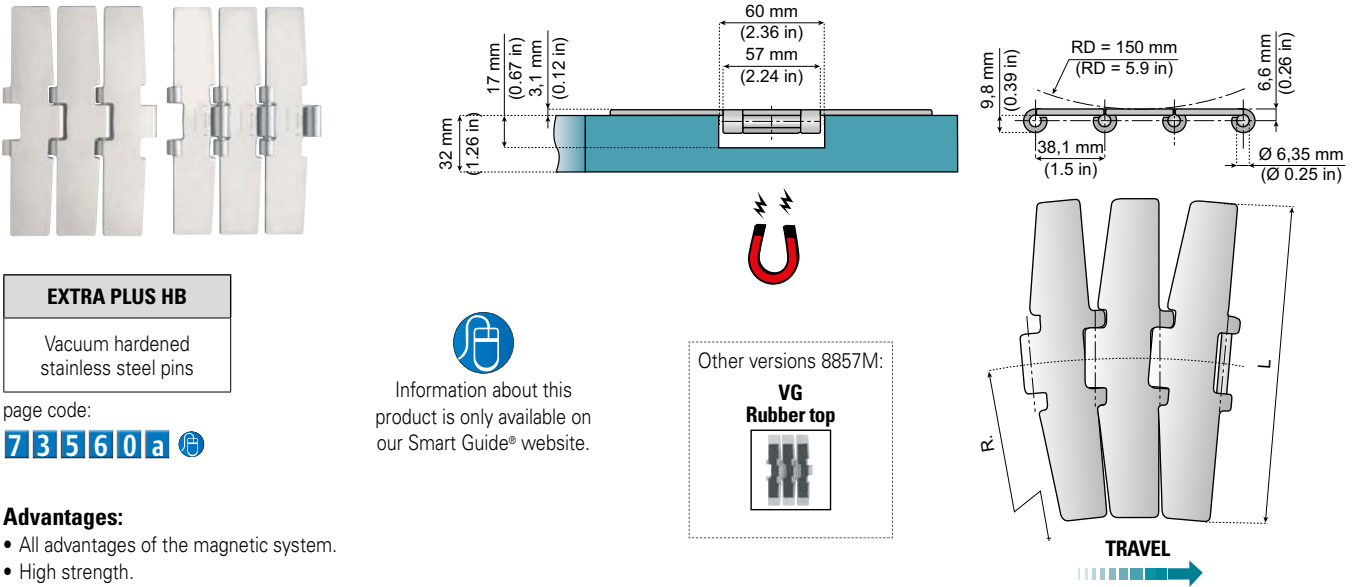


ITEM DESCRIPTION	MATERIAL	MAX. WORKING LOAD		FINISH μm	WIDTH L		R MIN.		WEIGHT	
		N	lbs		mm	in	mm	in	Kg/m	lbs/ft.
SSE8857TAB-K750HB	Extra plus HB	10400	2340	0,3	190,5	7 ½	750	29.5	6,1	4.1

Standard length: 80 pitches (10 ft. - 3,048 m)

8857M

SIDEFLEXING CHAINS FOR MAGNETIC SYSTEM HEAVY DUTY



EXTRA PLUS HB
Vacuum hardened stainless steel pins

page code:
73560a

Information about this product is only available on our Smart Guide® website.

Other versions 8857M:
VG Rubber top

Advantages:

- All advantages of the magnetic system.
- High strength.
- Helps standardising your conveyor constructions.
- Same hinge width available in many chain types, both steel and plastic; also LBP chains and rubber top chains.



ITEM DESCRIPTION	MATERIAL	MAX. WORKING LOAD		FINISH μm	WIDTH L		R MIN.		WEIGHT	
		N	lbs		mm	in	mm	in	Kg/m	lbs/ft.
SSE8857M-K750	Extra plus	10400	2340	0,3	190,5	7 ½	750	29.5	5,3	3.6
SSE8857M-K750HB	Extra plus HB									

Standard length: 80 pitches (10 ft. - 3,048 m)

Breaking load according to standard ISO 4348 - DIN 8153

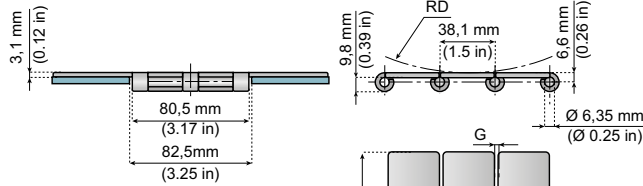
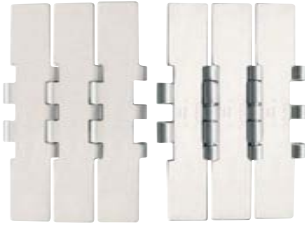
Chains & sprockets	Wear strips	Side guide brackets & accessories	Levelers	Engineering manual
Modular belts & sprockets	Chain & belt return systems	Frame & structure supports	Bearing supports	
Curves & tracks	Side guide solutions	Miscellaneous products	Equipment	

11120a

www.SystemPlastSmartGuide.com

802 - 805

STRAIGHT RUNNING CHAINS DOUBLE HINGE



Other versions 805:

VG Rubber top

EXTRA PLUS HB

Vacuum hardened stainless steel pins

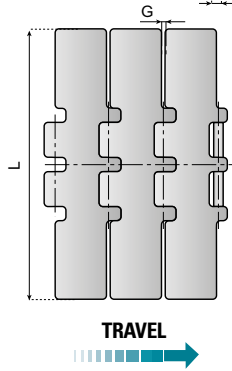
page code:

73560a

Hardened carbon steel
Austenitic stainless steel:

11030b

MOQ Min. order quantity: 18 m.



Information about this product is only available on our Smart Guide® website.

- Advantages:**
- Very high strength.
 - For heavy duty applications.

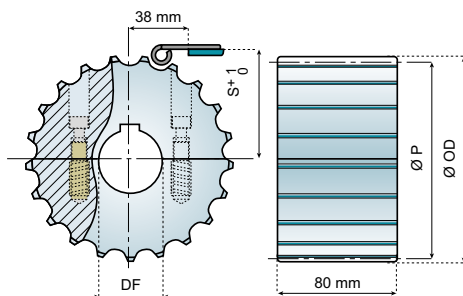
ITEM DESCRIPTION	MATERIAL	MAX. WORKING LOAD		FINISH μm	WIDTH L		G		RD		WEIGHT	
		N	lbs		mm	in	mm	in	mm	in	Kg/m	lbs/ft.
SS802-K750	STANDARD	10300	2620	0,6	190,5	7 ½	1,8	0.07	150	5.9	5,8	3.9
SR800-K750 ^{MOQ}	C45	28000	6300	not applicable	190,5	7 ½	2,8	0.11	75	2.9	5,7	3.8
SSA805-K750	Austenitic	9600	2160	0,3			1,8	0.07	150	5.9	5,8	3.9
SSE805-K750	Extra plus	15000	3370	1,8			0.07	150	5.9	5,8	3.9	
SSER805-K750				2,8			0.11	75	2.9	5,7	3.8	
SSE805-K750HB	Extra plus HB	15000	3370	1,8			0.07	150	5.9	5,8	3.9	

Standard length: 80 pitches (3,048 m - 10 ft.)

Breaking load according to standard ISO 4348 - DIN 8153

DRIVE AND RETURN SPROCKETS

800 - 802 - 805(VG) - 821



New design

30990a

Features:

- Very high strength.
- Split versions: quick and easy replacement.
- Foolproof design.
- Completely closed structure, easy to clean and to disinfect.
- Excellent wear and chemical resistance.
- Recyclable.

For chains 821:

11320a



For machined sprockets with flanges, go to:

11120b

Z	Ø 23*	Ø 25	Ø 30	Ø 35	Ø 40
	ITEM DESCRIPTION				
19	-	800-19R25M-DMS	800-19R30M-DMS	800-19R35M-DMS	800-19R40M-DMS
21	-	800-21R25M-DMS	800-21R30M-DMS	800-21R35M-DMS	800-21R40M-DMS
23	-	800-23R25M-DMS	800-23R30M-DMS	800-23R35M-DMS	800-23R40M-DMS
25	-	800-25R25M-DMS	800-25R30M-DMS	800-25R35M-DMS	800-25R40M-DMS

Z	MACHINED RETURN SPROCKETS - SPLIT				
	Ø OD mm	Ø P mm	S mm		
19	117	117,3	62,4	800-19R23M-RMS	800-19R25M-RMS
21	129	129,26	68,2	800-21R23M-RMS	800-21R25M-RMS
23	142	141,22	74,2	800-23R23M-RMS	800-23R25M-RMS
25	154	153,2	80,2	800-25R23M-RMS	800-25R25M-RMS

Material: polyamide (natural white); screws in stainless steel, bushings in brass, DIN 6885 key seat. * Plain bore

Chains & sprockets	Wear strips	Side guide brackets & accessories	Levelers	Engineering manual
Modular belts & sprockets	Chain & belt return systems	Frame & structure supports	Bearing supports	
Curves & tracks	Side guide solutions	Miscellaneous products	Equipment	



Information about this product is only available on our Smart Guide® website.

11120b

www.SystemPlastSmartGuide.com

DRIVE SPROCKETS

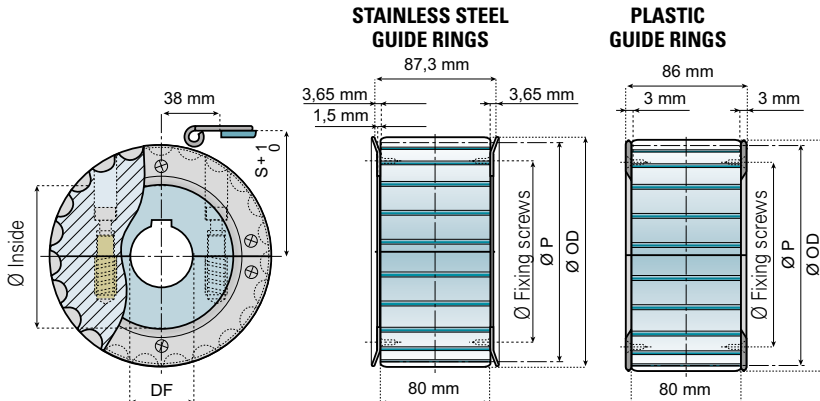
FOR CHAINS 800 - 802 - 805 (VG)

New design

30990a

Features:

- Very high strength.
- Split versions: quick and easy replacement.
- Foolproof design.
- Completely closed structure, easy to clean and to disinfect.
- Excellent wear and chemical resistance.
- Recyclable.



Z	Ø OD mm	Ø P mm	S mm	Ø INSIDE	Ø FIXING SCREWS
21	129	129,26	68,2	79	104
23	142	141,22	74,2	92	116
25	154	153,2	80,2	104	128



See also the chains:



11120a

See also the sprockets:



11120a

Z	Ø 23*	Ø 30	Ø 35	Ø 40
	ITEM DESCRIPTION			
21	800-21R23M-RMS-FSS	800-21R30M-DMS-FSS	800-21R35M-DMS-FSS	800-21R40M-DMS-FSS
25	800-25R23M-RMS-FSS	800-25R30M-DMS-FSS	800-25R35M-DMS-FSS	800-25R40M-DMS-FSS



Z	Ø 23*	Ø 30	Ø 35	Ø 40
	ITEM DESCRIPTION			
21	800-21R23M-RMS-F	800-21R30M-DMS-F	800-21R35M-DMS-F	800-21R40M-DMS-F
23	800-23R23M-RMS-F	800-23R30M-DMS-F	800-23R35M-DMS-F	800-23R40M-DMS-F
25	800-25R23M-RMS-F	800-25R30M-DMS-F	800-25R35M-DMS-F	800-25R40M-DMS-F



Material: polyamide (natural white); screws in stainless steel, bushings in brass, DIN 6885 key seat. * Plain bore (without keyway)

IDLER WHEELS

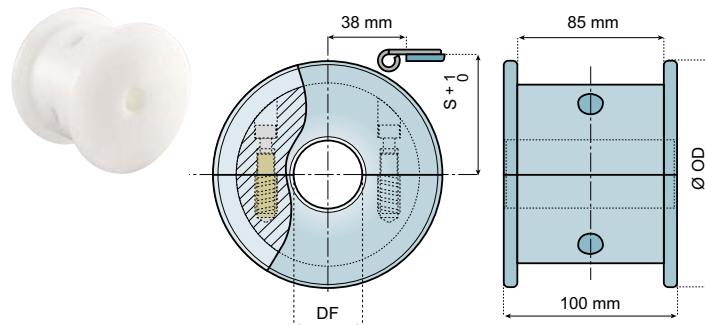
FOR CHAINS 800 - 802 - 805 - 805VG

New design

30990a

Features:

- Very high strength.
- Split versions: quick and easy replacement.
- Foolproof design.
- Completely closed structure, easy to clean and to disinfect.
- Excellent wear and chemical resistance.
- Recyclable.



See also the chains:



11120a

See also the sprockets:



11120a

Z	Ø 30	Ø 35	Ø 40
	ITEM DESCRIPTION		
19	800-19R30M-WMS	800-19R35M-WMS	800-19R40M-WMS
21	800-21R30M-WMS	800-21R35M-WMS	800-21R40M-WMS
23	800-23R30M-WMS	800-23R35M-WMS	800-23R40M-WMS
25	800-25R30M-WMS	800-25R35M-WMS	800-25R40M-WMS

Z	Ø OD mm	S mm
19	117	62,6
21	129,8	68,6
23	142,2	74,6
25	154,7	80,5

Material: polyamide (natural white); screws in stainless steel, bushings in brass.

Chains & sprockets	Wear strips	Side guide brackets & accessories	Levelers	Engineering manual
Modular belts & sprockets	Chain & belt return systems	Frame & structure supports	Bearing supports	
Curves & tracks	Side guide solutions	Miscellaneous products	Equipment	

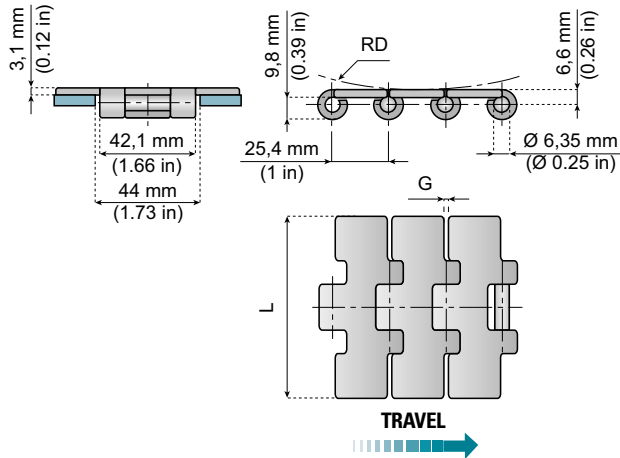


11130a

515

www.SystemPlastSmartGuide.com

STRAIGHT RUNNING CHAINS SINGLE HINGE (PITCH 1" - 25,4 mm)



Advantages:

- Small pitch offering short product transfers.

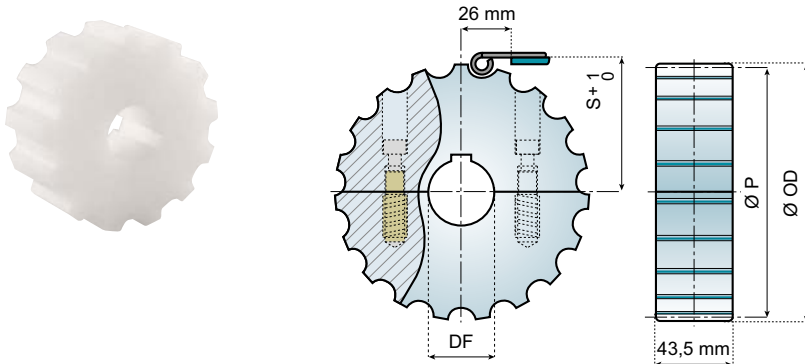
ITEM DESCRIPTION	MATERIAL	MAX. WORKING LOAD		FINISH µm	WIDTH L		G		RD		WEIGHT	
		N	lbs		mm	in	mm	in	mm	in	Kg/m	lbs/ft.
SSE515-K217	EXTRA	5.200	1170	0,3	55,0	2 11/64	1,6	0.06	100	3.9	2,3	1.5
SSE515-K236					60,0	2 27/64					2,4	1.6
SSE515-K283					72,0	2 27/32					2,7	1.8
SSE515-K325					82,5	3 1/4					2,9	2.0
SSE515-K350					88,9	3 1/2					3,0	2.0
SSE515-K400					101,6	4					3,3	2.2

Standard length: 120 pitches (10 ft. - 3,048 m)

Breaking load according to standard ISO 4348 - DIN 8153

DRIVE AND RETURN SPROCKETS

FOR CHAINS 515



MACHINED DRIVE SPROCKETS - SPLIT FIXED			
Z	Ø 23*	Ø 30	Ø 40
13	-	515-13R30M-DMS	515-13R40M-DMS
15	-	515-15R30M-DMS	515-15R40M-DMS
18	-	515-18R30M-DMS	515-18R40M-DMS
19	-	515-19R30M-DMS	515-19R40M-DMS
21	-	515-21R30M-DMS	515-21R40M-DMS

MACHINED RETURN SPROCKETS - SPLIT			
Z	Ø 23*	Ø 30	Ø 40
13	515-13R23M-RMS	515-13R30M-RMS	515-13R40M-RMS
15	515-15R23M-RMS	515-15R30M-RMS	515-15R40M-RMS
18	515-18R23M-RMS	515-18R30M-RMS	515-18R40M-RMS
19	515-19R23M-RMS	515-19R30M-RMS	515-19R40M-RMS
21	515-21R23M-RMS	515-21R30M-RMS	515-21R40M-RMS

New design 30990a

Features:

- Very high strength.
- Split versions: quick and easy replacement.
- Foolproof design.
- Completely closed structure, easy to clean and to disinfect.
- Excellent wear and chemical resistance.
- Recyclable.

Z	Ø OD mm	Ø P mm	S mm
13	106,1	108,0	57,2
15	122,2	124,0	65,2
18	146,4	146,3	76,4
19	155,7	154,3	80,4
21	173,0	170,4	88,4

Material: polyamide (natural white); screws in stainless steel, bushings in brass, DIN 6885 key seat. *Plain bore

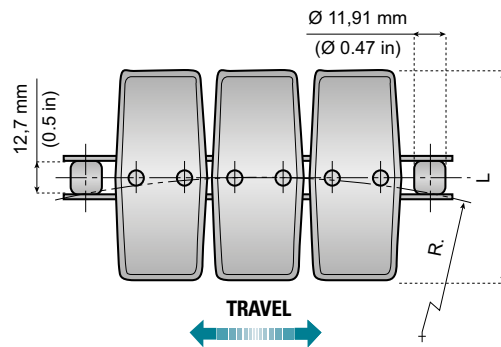
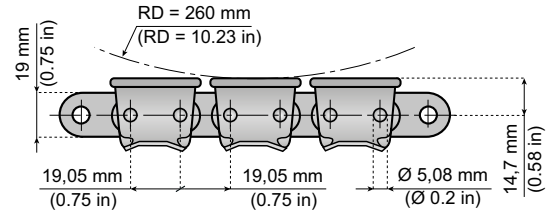
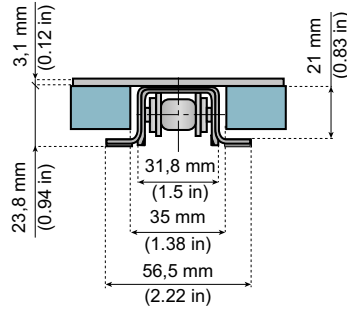
Chains & sprockets	Wear strips	Side guide brackets & accessories	Levelers	Engineering manual
Modular belts & sprockets	Chain & belt return systems	Frame & structure supports	Bearing supports	
Curves & tracks	Side guide solutions	Miscellaneous products	Equipment	

11140a

1874

www.SystemPlastSmartGuide.com

SIDEFLEXING PLATE TOP CHAINS WITH BASE ROLLER CHAINS (PITCH 3/4" - 19,05 mm)



Advantages:

- High speed
- Very high loads
- Longer conveyors
- Flights removable
- Lower noise
- No chain elongation

50160a

ITEM DESCRIPTION	MATERIAL		MAX. WORKING LOAD		FINISH µm	WIDTH L		R MIN.		WEIGHT	
	PLATE	ROLLER CHAIN	N	lbs		mm	in	mm	in	Kg/m	lbs/ft.
1874TAB-K325	C45	C45	27000	6080	0,6	82,5	3 ¼	380	15	4,2	2.8
1874SS-TAB-K325	EXTRA	Austenitic	21000	4730							
1874A-TAB-K325		C45	27000	6080							

Standard length: 160 pitches (10 ft. - 3,048 m) - 80 Flights

Breaking load according to standard ISO 4348 - DIN 8153

Chains & sprockets	Wear strips	Side guide brackets & accessories	Levelers	Engineering manual
Modular belts & sprockets	Chain & belt return systems	Frame & structure supports	Bearing supports	
Curves & tracks	Side guide solutions	Miscellaneous products	Equipment	

11150a

815 VG - 815 VG TAB

www.SystemPlastSmartGuide.com

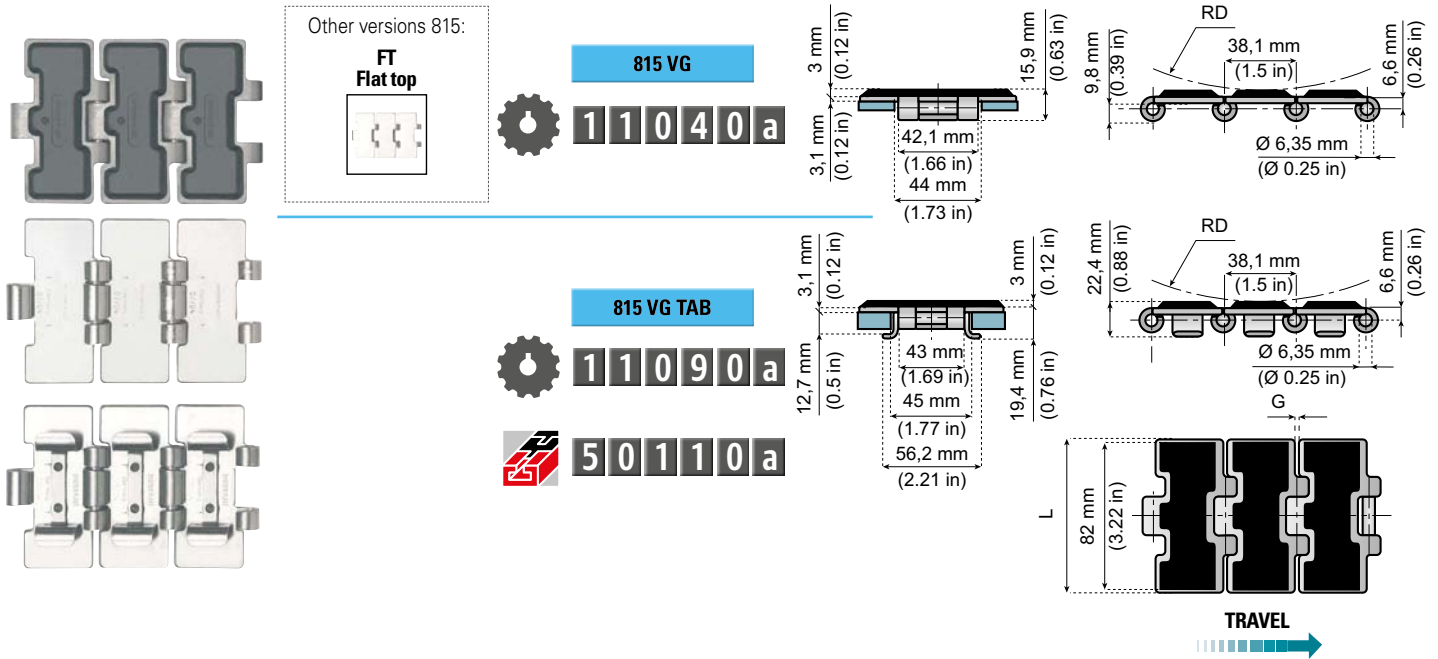
STRAIGHT RUNNING CHAINS WITH HIGH FRICTION SURFACE



Characteristics:

Flat top chains with vulcanized NBR rubber.

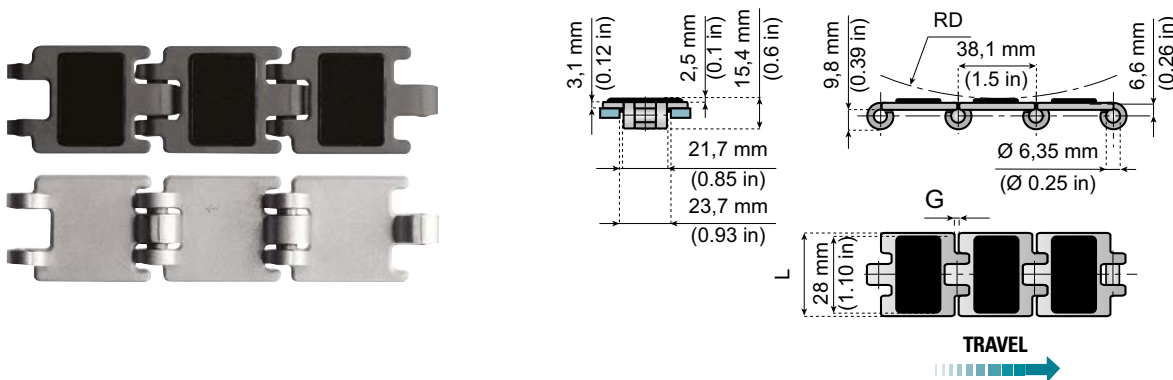
Tabs reduce friction on the return section of the conveyor.



ITEM DESCRIPTION	MATERIAL		MAX. WORKING LOAD		WIDTH L		G		RD		WEIGHT	
	CHAIN	RUBBER	N	lbs	mm	in	mm	in	mm	in	Kg/m	lbs/ft.
SSER815-K325HBVG	Extra plus HB	NBR - black 70 shore A	6000	1350	82,5	3 ¼	2,8	0.11	75	2.9	2,8	1.9
SSER815TAB-K325HBVG											3,4	2.3

814 VG

STRAIGHT RUNNING CHAINS WITH HIGH FRICTION SURFACE



Characteristics:

Flat top chains with vulcanized NBR rubber.



Information about this product is only available on our Smart Guide® website.

ITEM DESCRIPTION	MATERIAL		MAX. WORKING LOAD		WIDTH L		G		RD		WEIGHT	
	CHAIN	RUBBER	N	lbs	mm	in	mm	in	mm	in	Kg/m	lbs/ft.
SSER814-K125VG	Extra plus	NBR - black 70 shore A	4000	900	31,8	1 ¼	2,8	0.11	75	2.9	1,2	0.8

Standard length: 80 pitches (10 ft. - 3,048 m)

Breaking load according to standard ISO 4348 - DIN 8153

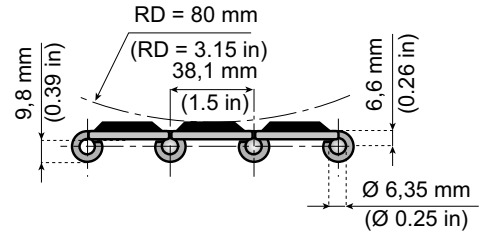
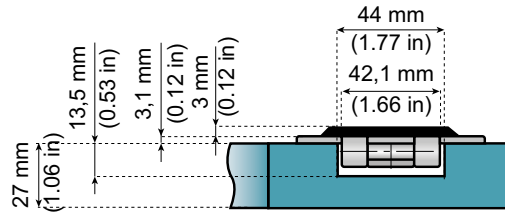
Chains & sprockets	Wear strips	Side guide brackets & accessories	Levelers	Engineering manual
Modular belts & sprockets	Chain & belt return systems	Frame & structure supports	Bearing supports	
Curves & tracks	Side guide solutions	Miscellaneous products	Equipment	

11160a

881 MO VG

www.SystemPlastSmartGuide.com

SIDEFLEXING CHAINS WITH HIGH FRICTION SURFACE FOR MAGNETIC CURVES

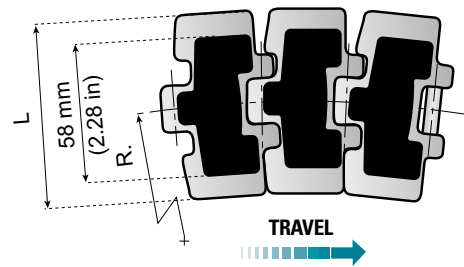


Characteristics:

Sideflexing chains with vulcanized NBR rubber.
All advantages of the magnetic system.

High strength.

Other versions 881MO:



11090a

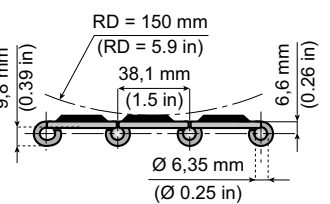
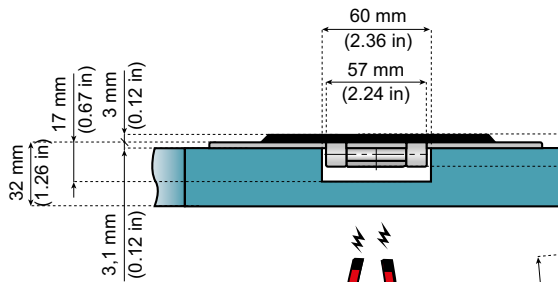
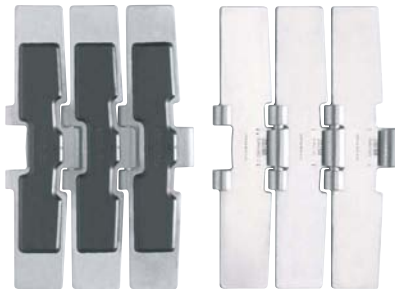


50010a

ITEM DESCRIPTION	MATERIAL		MAX. WORKING LOAD		WIDTH L		R MIN.		WEIGHT	
	CHAIN	RUBBER	N	lbs	mm	in	mm	in	Kg/m	lbs/ft.
SSE881MO-K325VG	Extra plus	NBR - black 70 shore A	6000	1350	82,5	3 ¼	500	19.7	2,6	1.7

8857 M VG

SIDEFLEXING CHAINS WITH HIGH FRICTION SURFACE FOR MAGNETIC CURVES



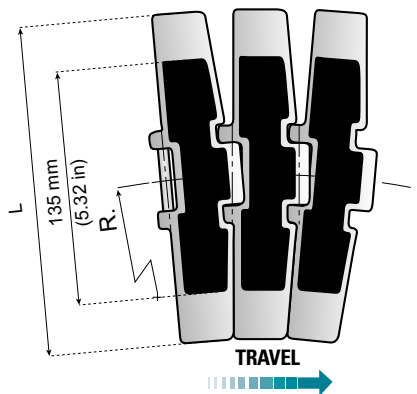
Characteristics:

Sideflexing chains with vulcanized NBR rubber.

Advantages:

- All advantages of the magnetic system.
- High strength.
- Helps standardising your conveyor constructions.
- Same hinge width available in many chain types, both steel and plastic, also LBP chains and flat top chains.

Other versions 8857M:



Information about this product is only available on our Smart Guide® website.

EXTRA PLUS HB

Vacuum hardened stainless steel pins

page code:

73560a



50060a



11100a

ITEM DESCRIPTION	MATERIAL		MAX. WORKING LOAD		WIDTH L		R MIN.		WEIGHT	
	CHAIN	RUBBER	N	lbs	mm	in	mm	in	Kg/m	lbs/ft.
SSE8857M-K750HBVG	Extra plus HB	NBR - black 70 shore A	10400	2340	190,5	7 ½	750	29.5	5,7	3.8

Standard length: 80 pitches (10 ft. - 3,048 m)

Breaking load according to standard ISO 4348 - DIN 8153

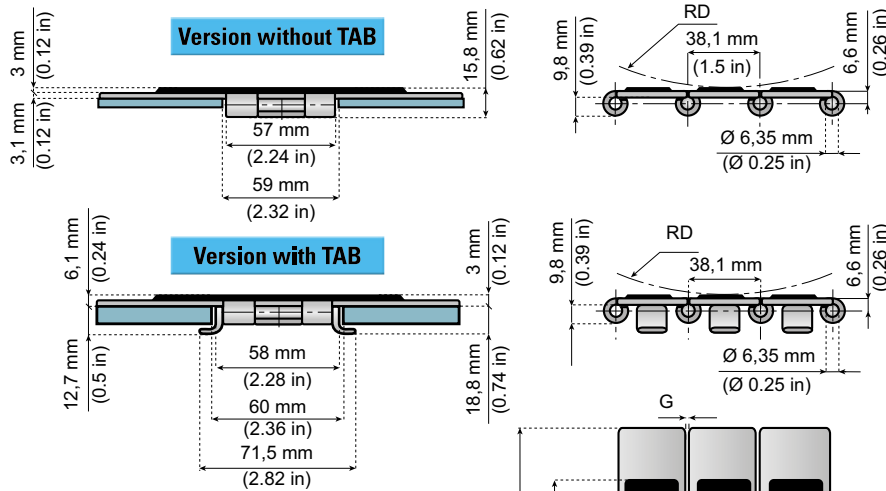
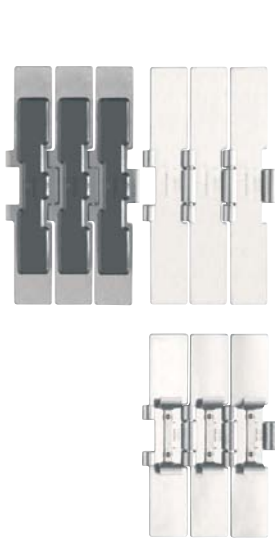
Chains & sprockets	Wear strips	Side guide brackets & accessories	Levelers	Engineering manual
Modular belts & sprockets	Chain & belt return systems	Frame & structure supports	Bearing supports	
Curves & tracks	Side guide solutions	Miscellaneous products	Equipment	

11180a

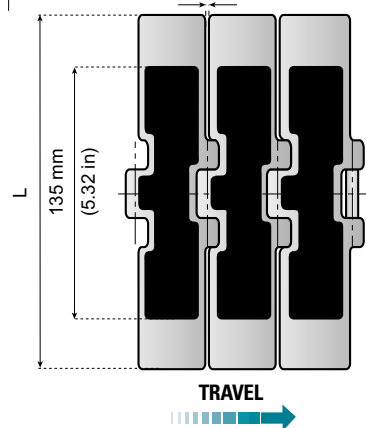
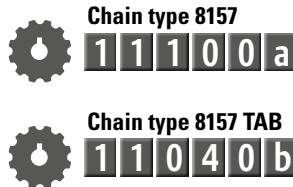
8157 VG - 8157 TAB VG

www.SystemPlastSmartGuide.com

STRAIGHT RUNNING CHAINS WITH HIGH FRICTION SURFACE



Other versions 8157:
FT Flat top



EXTRA PLUS HB
Vacuum hardened stainless steel pins

page code: **73560a**

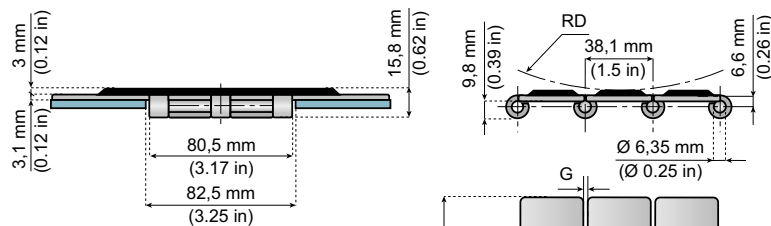
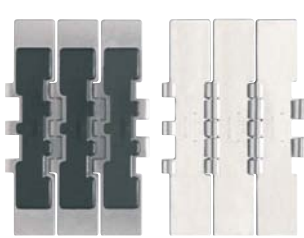
Characteristics:

- Flat top chains with vulcanized NBR rubber.
- Tabs reduce friction on the return section of the conveyor.

ITEM DESCRIPTION	MATERIAL		MAX. WORKING LOAD		WIDTH L		G		RD		WEIGHT	
	CHAIN	RUBBER	N	lbs	mm	in	mm	in	mm	in	Kg/m	lbs/ft.
SSE8157-K750HBVG	Extra plus HB	NBR - black 70 shore A	10400	2340	190,5	7 ½	1,8	0.07	150	5.9	6,0	4.0
SSE8157TAB-K750HBVG											7,5	5.0

805 VG

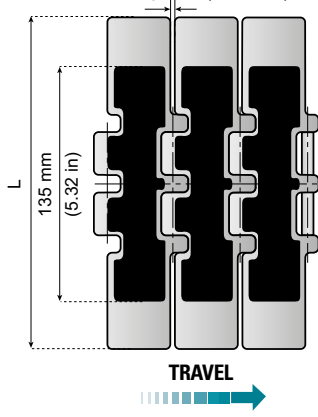
STRAIGHT RUNNING CHAINS WITH HIGH FRICTION SURFACE



EXTRA PLUS HB
Vacuum hardened stainless steel pins

page code: **73560a**

Other versions 805:
FT Flat top



Information about this product is only available on our Smart Guide® website.

Characteristics:

- Flat top chains with vulcanized NBR rubber.



ITEM DESCRIPTION	MATERIAL		MAX. WORKING LOAD		WIDTH L		G		RD		WEIGHT	
	CHAIN	RUBBER	N	lbs	mm	in	mm	in	mm	in	Kg/m	lbs/ft.
SSE805-K750HBVG	Extra plus HB	NBR - black 70 shore A	15000	3370	190,5	7 ½	1,8	0.07	150	5.9	6,2	4.2

Chains & sprockets	Wear strips	Side guide brackets & accessories	Levelers	Engineering manual
Modular belts & sprockets	Chain & belt return systems	Frame & structure supports	Bearing supports	
Curves & tracks	Side guide solutions	Miscellaneous products	Equipment	



11190a

www.SystemPlastSmartGuide.com

820 - 820P - 831

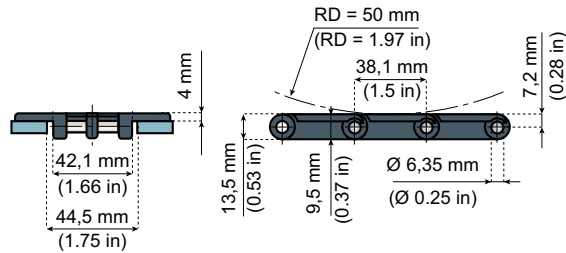
STRAIGHT RUNNING CHAINS



New
NG evo

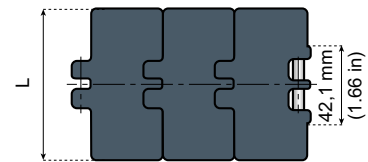
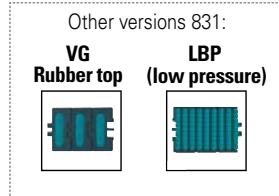
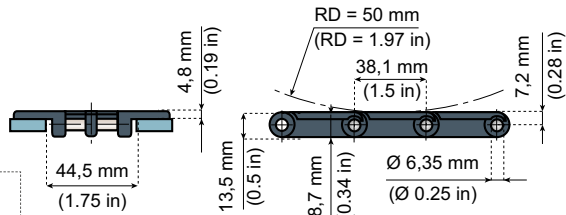
NG® evo conveyor components made from engineered plastic resin
 Longer wearlife than acetal
 Lower friction than acetal
 Good chemical resistance
 High abrasion resistance
 It meets the requirement for materials as stated by EC1935/2004 and FDA CFR21 norms for direct food contact
 Less dust than with acetal chains
 More.....

820 - 820P



831

Top plate thickness 4,8 mm



TRAVEL →

Note:
 The 831 series has a top plate of 4,8 mm giving long wear life.
 It also simplifies conveyor design when matching chains from the series 821 879 - 882 - 8257 - 882 M.

Pin material:
 Austenitic steel (SPM) or plastic pin (PPM).

AS	Other materials
Anti-static Acetal Resin	



ITEM DESCRIPTION	MATERIAL PLATE	PIN MATERIAL	BREAKING LOAD		WIDTH L		WEIGHT					
			N	lbs	mm	in	Kg/m	lbs/ft.				
NGE820-K250	NGE Grey Blue	SPM	4500	1000	63,5	2 ½	0,8	0.5				
NGE820-K325					82,5	3 ¼	0,9	0.6				
NGE820-K330					83,8	3 19/64	0,9	0.6				
NGE820-K350					88,9	3 ½	0,9	0.6				
NGE820-K400					101,6	4	1	0.7				
NGE820-K450					114,3	4 ½	1	0.7				
NGE820-K600					152,4	6	1,3	0.8				
NGE820-K750					190,5	7 ½	1,5	1.0				
NGE820P-K325					PPM (POM-White)	PPM	1700	380	82,5	3 ¼	0,8	0.5
NGE820P-K450									114,3	4 ½	1	0.7
NGE820P-K750	190,5	7 ½	1,4	1.0								
LF820-K250	LF Brown	SPM	5000	1030					63,5	2 ½	0,8	0.5
LF820-K325					82,5	3 ¼	0,9	0.6				
LF820-K330					83,8	3 19/64	0,9	0.6				
LF820-K350					88,9	3 ½	0,9	0.6				
LF820-K400					101,6	4	1	0.7				
LF820-K450					114,3	4 ½	1	0.7				
LF820-K600					152,4	6	1,3	0.8				
LF820-K750					190,5	7 ½	1,5	1.0				
NGE831-K325					NGE Grey Blue	SPM	4500	1000	82,5	3 ¼	1	0.7
NGE831-K450									114,3	4 ½	1,3	0.9
NGE831-K750	190,5	7 ½	1,8	1.2								
LF831-K325	LF Brown	SPM	5000	1030	82,5	3 ¼	1	0.7				
LF831-K450					114,3	4 ½	1,3	0.9				
LF831-K750					190,5	7 ½	1,8	1.2				

Standard length: 80 pitches (10 ft. - 3,048 m)

Breaking load according to standard ISO 4348 - DIN 8153

Chains & sprockets	Wear strips	Side guide brackets & accessories	Levelers	Engineering manual
Modular belts & sprockets	Chain & belt return systems	Frame & structure supports	Bearing supports	
Curves & tracks	Side guide solutions	Miscellaneous products	Equipment	



11200a

www.SystemPlastSmartGuide.com

DRIVE SPROCKETS

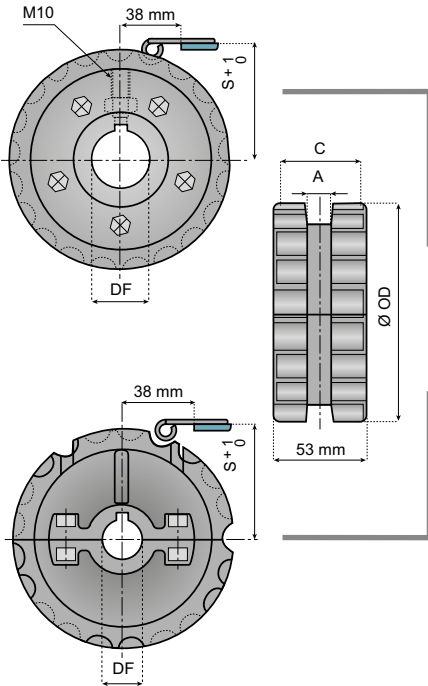
FOR CHAINS 820 (P) - 831 (VG-LBP)



Features:

- Split versions: quick and easy replacement.
- Foolproof design.
- Excellent wear and chemical resistance.
- Recyclable.

Z	A mm	C mm
17	13	44
19	16	44
21	16	45
23	16	45
25	16	45



MOLDED DRIVE SPROCKETS - ONE PIECE TIGHT					
Z	Ø 25	Ø 30	Ø 35	Ø 40	Ø 45
17	820-17R25M-D	820-17R30M-D	-	-	-
19	820-19R25M-D	820-19R30M-D	820-19R35M-D	820-19R40M-D	-
MOLDED DRIVE SPROCKETS - SPLIT FIXED					
21	820-21R25M-DS	820-21R30M-DS	820-21R35M-DS	820-21R40M-DS	820-21R45M-DS
23	820-23R25M-DS	820-23R30M-DS	820-23R35M-DS	820-23R40M-DS	-
25	820-25R25M-DS	820-25R30M-DS	820-25R35M-DS	820-25R40M-DS	820-25R45M-DS

Material: reinforced polyamide (black); screws in stainless steel, nuts in nickel plated brass, DIN 6885 key seat.

Z	Ø OD mm	Ø P mm	S mm
17	103,9	105,47	55,9
19	117	117,34	61,9
21	129	129,26	67,8
23	142	141,21	73,8
25	154	153,21	79,8
27	166,8	165,2	85,8
29	178,5	177,24	91,8



See also:

11050a
11200b



Other chains:

820- 820P - 831
11190a

831 VG
11380a



Information about this product is only available on our Smart Guide® website.

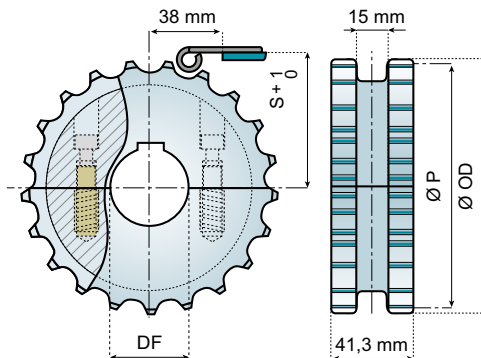


New design

30990a

Features:

- Very high strength.
- Split versions: quick and easy replacement.
- Foolproof design.
- Completely closed structure, easy to clean and to disinfect.
- Excellent wear and chemical resistance.
- Recyclable.



MACHINED DRIVE SPROCKETS - SPLIT FIXED				
Z	Ø 25	Ø 30	Ø 35	Ø 40
17	820-17R25M-DMS	820-17R30M-DMS	820-17R35M-DMS	820-17R40M-DMS
19	820-19R25M-DMS	820-19R30M-DMS	820-19R35M-DMS	820-19R40M-DMS
21	820-21R25M-DMS	820-21R30M-DMS	820-21R35M-DMS	820-21R40M-DMS
23	820-23R25M-DMS	820-23R30M-DMS	820-23R35M-DMS	820-23R40M-DMS
25	820-25R25M-DMS	820-25R30M-DMS	820-25R35M-DMS	820-25R40M-DMS
27	820-27R25M-DMS	820-27R30M-DMS	820-27R35M-DMS	820-27R40M-DMS
29	820-29R25M-DMS	820-29R30M-DMS	820-29R35M-DMS	820-29R40M-DMS

Material: polyamide (natural white); screws in stainless steel, bushings in brass, DIN 6885 key seat.

Chains & sprockets	Wear strips	Side guide brackets & accessories	Levelers	Engineering manual
Modular belts & sprockets	Chain & belt return systems	Frame & structure supports	Bearing supports	
Curves & tracks	Side guide solutions	Miscellaneous products	Equipment	

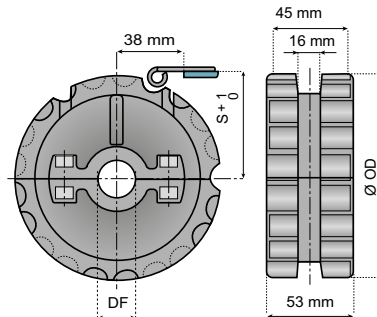


11200b

DRIVE AND RETURN SPROCKETS

FOR CHAINS 820 (P) - 831 (VG-LBP)

www.SystemPlastSmartGuide.com



Features:

- Split versions: quick and easy replacement.
- Foolproof design.
- Excellent wear and chemical resistance.
- Recyclable.

MOLED RETURN SPROCKETS - SPLIT					
Z	Ø 25	Ø 30	Ø 35	Ø 40	Ø 45
ITEM DESCRIPTION					
21	820-21R25M-RS	820-21R30M-RS	820-21R35M-RS	820-21R40M-RS	820-21R45M-RS
23	820-23R25M-RS	820-23R30M-RS	820-23R35M-RS	820-23R40M-RS	-
25	820-25R25M-RS	820-25R30M-RS	820-25R35M-RS	820-25R40M-RS	820-25R45M-RS

Material: reinforced polyamide (black); screws in stainless steel, nuts in nickel plated brass, DIN 6885 key seat.



See also the chains:

820 - 820P - 831
11190a

See also the sprockets and idler wheels:

11050a
11200a

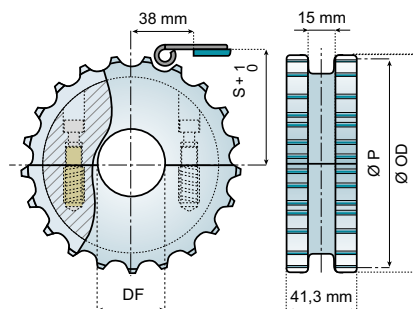


New design

30990a

Features:

- Very high strength.
- Split versions: quick and easy replacement.
- Foolproof design.
- Completely closed structure, easy to clean and to disinfect.
- Excellent wear and chemical resistance.
- Recyclable.



MACHINED RETURN SPROCKETS - SPLIT					
Z	Ø 23*	Ø 25	Ø 30	Ø 35	Ø 40
ITEM DESCRIPTION					
17	820-17R23M-RMS	820-17R25M-RMS	820-17R30M-RMS	820-17R35M-RMS	820-17R40M-RMS
19	820-19R23M-RMS	820-19R25M-RMS	820-19R30M-RMS	820-19R35M-RMS	820-19R40M-RMS
21	820-21R23M-RMS	820-21R25M-RMS	820-21R30M-RMS	820-21R35M-RMS	820-21R40M-RMS
23	820-23R23M-RMS	820-23R25M-RMS	820-23R30M-RMS	820-23R35M-RMS	820-23R40M-RMS
25	820-25R23M-RMS	820-25R25M-RMS	820-25R30M-RMS	820-25R35M-RMS	820-25R40M-RMS
27	820-27R23M-RMS	820-27R25M-RMS	820-27R30M-RMS	820-27R35M-RMS	820-27R40M-RMS
29	820-29R23M-RMS	820-29R25M-RMS	820-29R30M-RMS	820-29R35M-RMS	820-29R40M-RMS

Material: polyamide (natural white); screws in stainless steel, bushings in brass, DIN 6885 key seat. * Plain bore

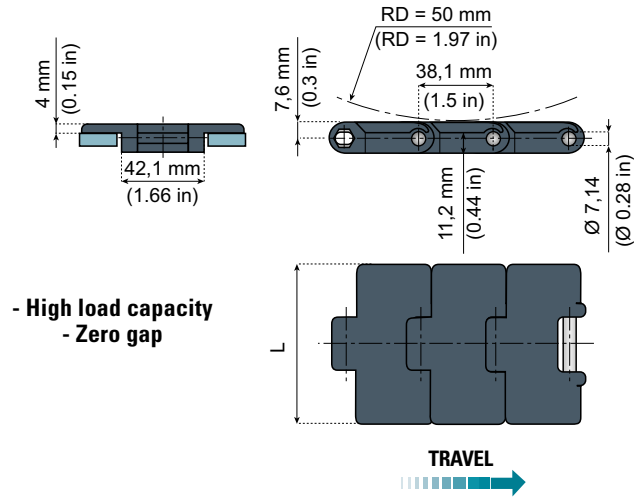
Chains & sprockets	Wear strips	Side guide brackets & accessories	Levelers	Engineering manual
Modular belts & sprockets	Chain & belt return systems	Frame & structure supports	Bearing supports	
Curves & tracks	Side guide solutions	Miscellaneous products	Equipment	

11210a

828

www.SystemPlastSmartGuide.com

STRAIGHT RUNNING CHAINS



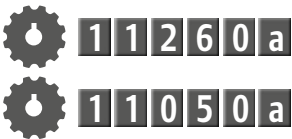
NG® evo conveyor components made from engineered plastic resin

Longer wearlife than acetal
Lower friction than acetal
Good chemical resistance
High abrasion resistance
It meets the requirement for materials as stated by EC1935/2004 and FDA CFR21 norms for direct food contact
Less dust than with acetal chains
More.....

Features:

- Standardization
- Identical sprockets as sideflexing chains
- Standard conveyor construction
- High load capacity
- Particularly suitable for accumulation tables as well as for pressure-less combiners
- Improved product stability
- Reduced gap between adjacent tracks
- Better topplate flatness in the hinge area

Pin material: Austenitic steel



ITEM DESCRIPTION	MATERIAL PLATE	BREAKING LOAD		WIDTH L		WEIGHT	
		N	lbs	mm	in	Kg/m	lbs/ft.
NGE828-K325	NGE	5400	1200	82,5	3 ¼	1,1	0.7
NGE828-K330	Grey Blue			83,8	3 19/64		
LF828-K325	LF	6000	1350	82,5	3 ¼	1,1	0.7
LF828-K330	Brown			83,8	3 19/64		

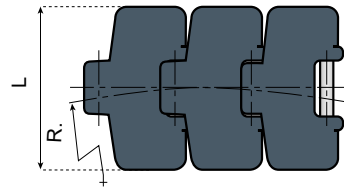
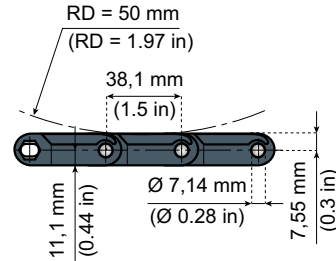
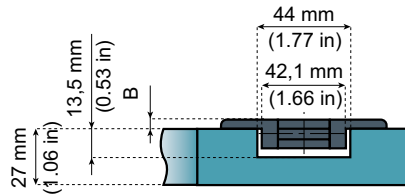
Chains & sprockets	Wear strips	Side guide brackets & accessories	Levelers	Engineering manual
Modular belts & sprockets	Chain & belt return systems	Frame & structure supports	Bearing supports	
Curves & tracks	Side guide solutions	Miscellaneous products	Equipment	

1 1 2 2 0 a

879M - 880M

www.SystemPlastSmartGuide.com

SIDEFLEXING CHAINS FOR MAGNETIC SYSTEM



Nolu®-S curves

are strongly recommended with these chains!

NG® evo conveyor components made from engineered plastic resin

- Longer wearlife than acetal
- Lower friction than acetal
- Good chemical resistance
- High abrasion resistance

It meets the requirement for materials as stated by EC1935/2004 and FDA CFR21 norms for direct food contact

Less dust than with acetal chains

More.....

ITEM DESCRIPTION	MATERIAL PLATE	BREAKING LOAD		WIDTH L		B THICKNESS		R MIN.		WEIGHT	
		N	lbs	mm	in	mm	in	mm	in	Kg/m	lbs/ft.
NGE880M-K325	NGE Grey Blue	5100	1150	82,5	3 ¼	4	0.16	500	19.7	1,1	0.7
NGE880M-K330				83,8	3 19/64					1,1	0.7
NGE880M-K450				114,3	4 ½					1,2	0.8
NGE880M-K750				190,5	7 ½					1,5	1.0
LF880M-K325	LF Brown	5700	1280	82,5	3 ¼	4	0.16	500	19.7	1,1	0.7
LF880M-K330				83,8	3 19/64					1,1	0.7
LF880M-K450				114,3	4 ½					1,2	0.8
LF880M-K750				190,5	7 ½					1,5	1.0
NGE879M-K325	NGE Grey Blue	5100	1150	82,5	3 ¼	4,8	0.19	500	19.7	1,2	0.8
NGE879M-K450				114,3	4 ½					1,3	0.8
LF879M-K325	LF Brown	5700	1280	82,5	3 ½	4,8	0.19	500	19.7	1,2	0.8
LF879M-K450				114,3	4 ½					1,3	0.8

Standard length: 80 pitches (10 ft. - 3,048 m)

Breaking load according to standard ISO 4348 - DIN 8153

See also:



Information about this product is only available on our Smart Guide® website.

Other versions 879 M:

VG Rubber top **LBP (low pressure)**



Chains & sprockets	Wear strips	Side guide brackets & accessories	Levelers	Engineering manual
Modular belts & sprockets	Chain & belt return systems	Frame & structure supports	Bearing supports	
Curves & tracks	Side guide solutions	Miscellaneous products	Equipment	

1 1 2 3 0 a

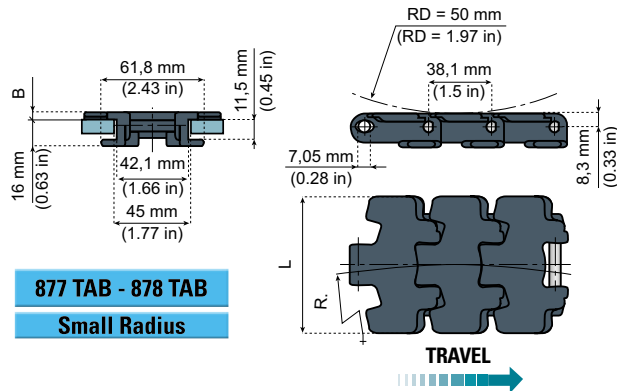
877 TAB - 878 TAB - 879 TAB - 880 TAB

www.SystemPlastSmartGuide.com

SIDEFLEXING CHAINS WITH TAB



NG® evo conveyor components made from engineered plastic resin
 Longer wearlife than acetal
 Lower friction than acetal
 Good chemical resistance
 High abrasion resistance
 It meets the requirement for materials as stated by EC1935/2004 and FDA CFR21 norms for direct food contact
 Less dust than with acetal chains
 More.....



Characteristics:

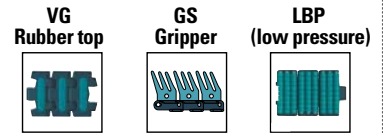
The new 878 TAB series enables the designer and the manufacturer of sideflexing conveyors to reduce the radius of the curves. This chain is suitable for solving conveying problems in confined spaces. Can also be used where products are conveyed on an incline or decline and accumulation may occur. The characteristics of this chain make this product unique in its design.

Pin material: Austenitic steel.

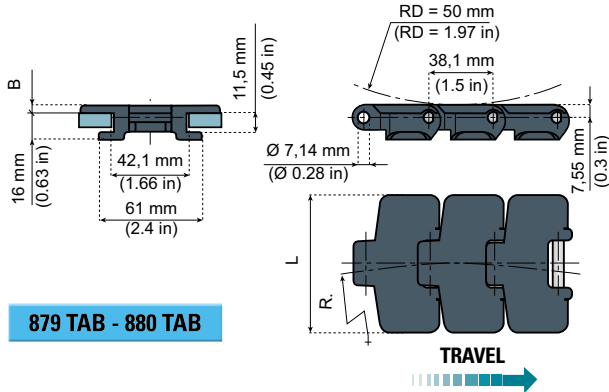
Advantages:

- Small sideflexing radius R=190 mm (877 TAB and 878 TAB only).
- Tangential engagement.
- Specially shaped flights to improve the contact between the product and chain.
- Small gap between flights for high product stability.

Other versions 878 TAB:



Nolu®-S curves are strongly recommended with these chains!



Note:

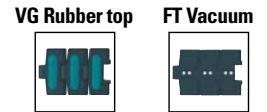
The 879 TAB series has a top plate of 4,8 mm giving long wear life. It also simplifies conveyor design when matching chains from the series 821, 831, 8257 and 882.

Pin material: Austenitic steel

See also the sprockets and idler wheels:



Other versions 879 / 880 TAB:



ITEM DESCRIPTION	MATERIAL PLATE	BREAKING LOAD		WIDTH L		B THICKNESS		R MIN.		WEIGHT	
		N	lbs	mm	in	mm	in	mm	in	Kg/m	lbs/ft.
NGE877TAB-K325	NGE Grey Blue	5400	1200	82,5	3 ¼	4	0.16	190	7.5	1,0	0.7
LF877TAB-K325	LF Brown	6000	1350	82,5	3 ¼	4	0.16	190	7.5	1,0	0.7
NGE878TAB-K325	NGE Grey Blue	5400	1200	82,5	3 ¼	4,8	0.19	190	7.5	1,1	0.7
NGE878TAB-K450				114,3	4 ½					1,2	0.8
LF878TAB-K325	LF Brown	6000	1350	82,5	3 ¼	4,8	0.19	190	7.5	1,1	0.7
LF878TAB-K450				114,3	4 ½					1,2	0.8
NGE879TAB-K325	NGE Grey Blue	5400	1200	82,5	3 ¼	4,8	0.19	500	19.7	1,0	0.7
NGE879TAB-K450				114,3	4 ½					1,1	0.8
LF879TAB-K325	LF Brown	6000	1350	82,5	3 ¼	4,8	0.19	500	19.7	1,0	0.7
LF879TAB-K450				114,3	4 ½					1,1	0.8
NGE880TAB-K325	NGE Grey Blue	5400	1200	82,5	3 ¼	4	0.16	500	19.7	1,0	0.6
NGE880TAB-K330				83,8	3 19/64					1,0	0.6
NGE880TAB-K350				88,9	3 ½					1,0	0.7
NGE880TAB-K450				114,3	4 ½					1,1	0.7
LF880TAB-K325	LF Brown	6000	1350	82,5	3 ¼	4	0.16	500	19.7	1,0	0.6
LF880TAB-K330				83,8	3 19/64					1,0	0.6
LF880TAB-K350				88,9	3 ½					1,0	0.7
LF880TAB-K450				114,3	4 ½					1,1	0.7

Standard length: 80 pitches (10 ft. - 3,048 m)

Breaking load according to standard ISO 4348 - DIN 8153

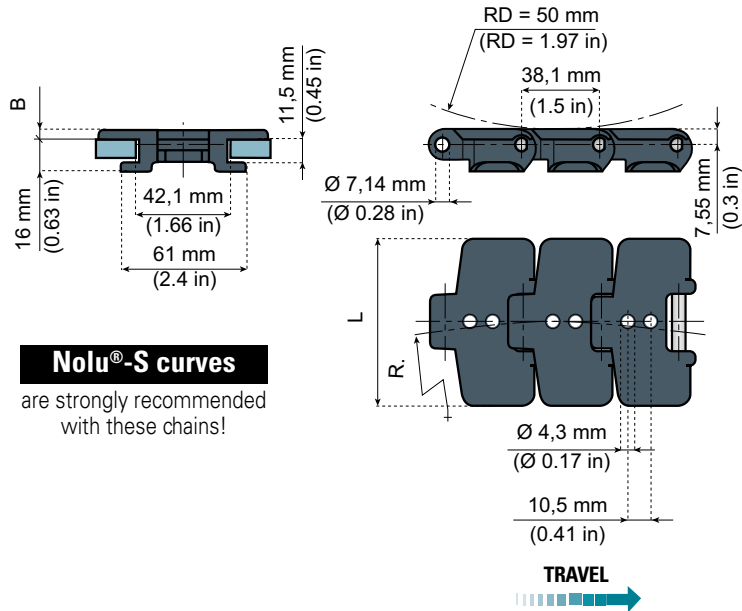
Chains & sprockets	Wear strips	Side guide brackets & accessories	Levelers	Engineering manual
Modular belts & sprockets	Chain & belt return systems	Frame & structure supports	Bearing supports	
Curves & tracks	Side guide solutions	Miscellaneous products	Equipment	

1 1 2 3 5 a

www.SystemPlastSmartGuide.com

880 TAB - VACUUM

SIDEFLEXING CHAINS WITH TAB - VACUUM



Nolu®-S curves
are strongly recommended
with these chains!

NG® *evo* conveyor components
made from engineered plastic resin

- Longer wearlife than acetal
- Lower friction than acetal
- Good chemical resistance
- High abrasion resistance
- It meets the requirement for materials as stated by EC1935/2004 and FDA CFR21 norms for direct food contact
- Less dust than with acetal chains
- More.....

Pin material: Austenitic steel.

Advantages:

- Specially shaped flights to improve the contact between the product and chain.
- Small gap between flights to improve product stability.

See also the sprockets and idler wheels:

1 1 2 6 0 a

5 0 1 1 0 a

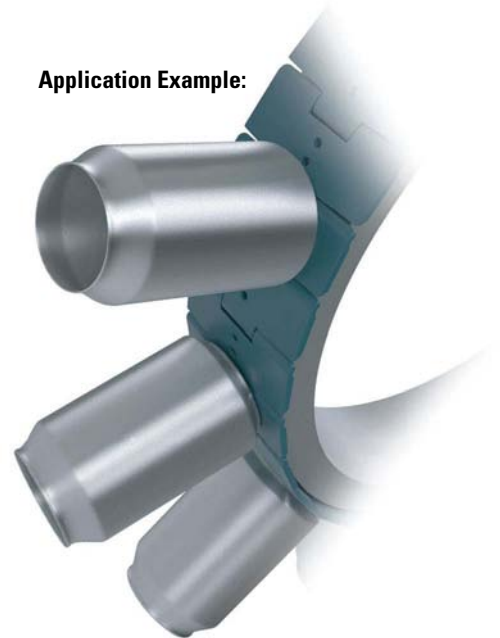
Other versions 879 / 880 TAB:

VG Rubber top

FT Flat top



Application Example:



ITEM DESCRIPTION	MATERIAL PLATE	BREAKING LOAD		WIDTH L		B THICKNESS		R MIN.		WEIGHT	
		N	lbs	mm	in	mm	in	mm	in	Kg/m	lbs/ft.
NGE880TAB-K325VAC43X2	NGE Grey Blue	5400	1200	82,5	3 ¼	4	0.16	500	19.7	1,0	0.6

Standard length: 80 pitches (10 ft. - 3,048 m)

Breaking load according to standard ISO 4348 - DIN 8153

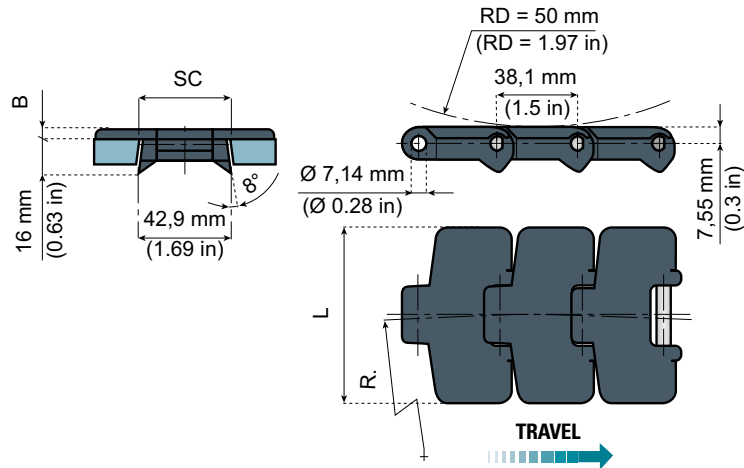
Chains & sprockets	Wear strips	Side guide brackets & accessories	Levelers	Engineering manual
Modular belts & sprockets	Chain & belt return systems	Frame & structure supports	Bearing supports	
Curves & tracks	Side guide solutions	Miscellaneous products	Equipment	

1 1 2 4 0 a

879 - 880

www.SystemPlastSmartGuide.com

SIDEFLEXING CHAINS



NG® evo conveyor components
made from engineered plastic resin

- Longer wearlife than acetal
- Lower friction than acetal
- Good chemical resistance
- High abrasion resistance
- It meets the requirement for materials as stated by EC1935/2004 and FDA CFR21 norms for direct food contact
- Less dust than with acetal chains
- More.....

Note:
The 879 series has a thicker top plate (4,8 mm) giving much more wear life.
It also simplifies conveyor design when matching chains from the series 821, 831, 8257 and 882.

Nolu®-S curves
are strongly recommended
with these chains!

Pin material: Austenitic steel.

Also available in low bevel version (11 mm), go to:

1 1 2 4 0 b

ITEM DESCRIPTION	MATERIAL PLATE	PIN MATERIAL	BREAKING LOAD		WIDTH L		B THICKNESS		R MIN.		SC				WEIGHT			
			N	lbs	mm	in	mm	in	mm	in	STRAIGHT		CURVING		Kg/m	lbs/ft.		
											mm	in	mm	in				
NGE880-K325	NGE Grey Blue	SPM	5400	1200	82,5	3 ¼	4	0.16	500	19.7	44,5	1.8	41,3	1.62	0,9	0.6		
NGE880-K350					88,9	3 ½											0,9	0.6
NGE880-K450					114,3	4 ½											1,0	0.7
LF880-K325	LF Brown	SPM	6000	1350	82,5	3 ¼	4	0.16	500	19.7	44,5	1.8	41,3	1.62	0,9	0.6		
LF880-K350					88,9	3 ½											0,9	0.6
LF880-K450					114,3	4 ½											1,0	0.7
NGE879-K325	NGE Grey Blue	SPM	5400	1200	82,5	3 ¼	4,8	0.19	500	19.7	44,5	1.8	41,3	1.62	0,9	0.6		
NGE879-K450					114,3	4 ½									1,1	0.7		
LF879-K325	LF Brown	SPM	6000	1350	82,5	3 ¼	4,8	0.19	500	19.7	44,5	1.8	41,3	1.62	0,9	0.6		
LF879-K450					114,3	4 ½									1,1	0.7		

Standard length: 80 pitches (10 ft. - 3,048 m)

Breaking load according to standard ISO 4348 - DIN 8153



1 1 2 6 0 a



5 0 1 3 0 a

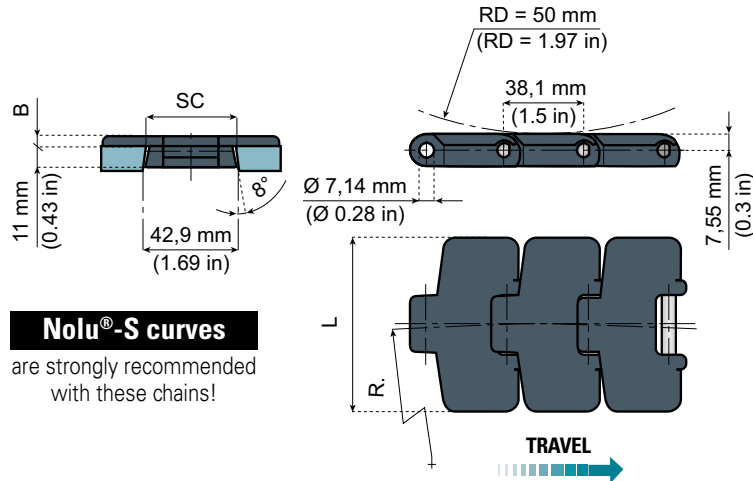
Chains & sprockets	Wear strips	Side guide brackets & accessories	Levelers	Engineering manual
Modular belts & sprockets	Chain & belt return systems	Frame & structure supports	Bearing supports	
Curves & tracks	Side guide solutions	Miscellaneous products	Equipment	

1 1 2 4 0 b

8800P

www.SystemPlastSmartGuide.com

SIDELFXING CHAINS



Nolu®-S curves
are strongly recommended with these chains!

NG®evo conveyor components
made from engineered plastic resin

- Longer wearlife than acetal
- Lower friction than acetal
- Good chemical resistance
- High abrasion resistance

It meets the requirement for materials as stated by EC1935/2004 and FDA CFR21 norms for direct food contact
Less dust than with acetal chains
More.....

For standard type thermoplastic bevel chains go to :

1 1 2 4 0 a

ITEM DESCRIPTION	MATERIAL PLATE	PIN MATERIAL	BREAKING LOAD		WIDTH L		B THICKNESS		R MIN.		SC				WEIGHT	
			N	lbs	mm	in	mm	in	mm	in	STRAIGHT		CURVING		Kg/m	lbs/ft.
											mm	in	mm	in		
NGE8800P-K325	NGE Grey Blue	PPM	2200	495	82,5	3 ¼	4	0.16	457	18	44,5	1.75	41,3	1.63	0,7	0.5
NGE8800P-K450					114,3	4 ½									0,8	0.5
NGE8800-K325		SPM	5400	1350	82,5	3 ¼									0,7	0.5
NGE8800-K450					114,3	4 ½									0,8	0.6

Standard length: 80 pitches (10 ft. - 3,048 m)

Breaking load according to standard ISO 4348 - DIN 8153

1 1 2 6 0 a

5 0 1 3 0 a

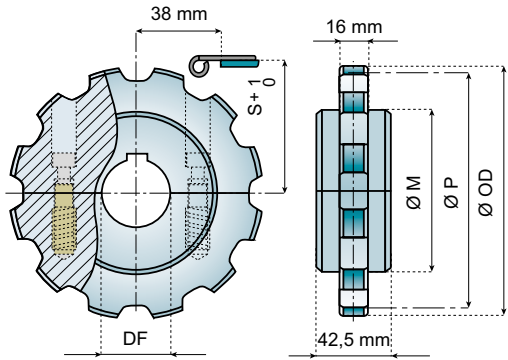
Chains & sprockets	Wear strips	Side guide brackets & accessories	Levelers	Engineering manual
Modular belts & sprockets	Chain & belt return systems	Frame & structure supports	Bearing supports	
Curves & tracks	Side guide solutions	Miscellaneous products	Equipment	



1 1 2 6 0 a

DRIVE AND RETURN SPROCKETS

www.SystemPlastSmartGuide.com FOR CHAINS 828 - 877(TAB) - 878(TAB-VG-LBP) - 879 (M-TAB-LBP) - 880(M-TAB) - 8800P



Z	Ø OD mm	Ø P mm	Ø M mm	S mm
9	108	111,4	78	59,3
10	122	123,3	88	65,25
11	135	135,2	99	71,2
12	147,3	147,2	111	77,2

MACHINED DRIVE SPROCKETS - SPLIT FIXED

Z	Ø 23*	Ø 25	Ø 30	Ø 35	Ø 40
	ITEM DESCRIPTION				
9	-	880-9R25M-DMS	880-9R30M-DMS	880-9R35M-DMS	880-9R40M-DMS
10	-	880-10R25M-DMS	880-10R30M-DMS	880-10R35M-DMS	880-10R40M-DMS
11	-	880-11R25M-DMS	880-11R30M-DMS	880-11R35M-DMS	880-11R40M-DMS
12	-	880-12R25M-DMS	880-12R30M-DMS	880-12R35M-DMS	880-12R40M-DMS

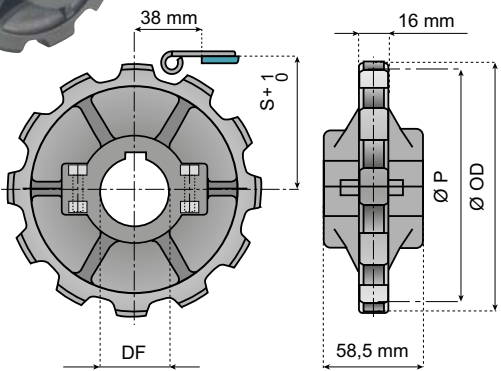
Machined return sprockets - Split

9	880-9R23M-RMS	880-9R25M-RMS	880-9R30M-RMS	880-9R35M-RMS	880-9R40M-RMS
10	880-10R23M-RMS	880-10R25M-RMS	880-10R30M-RMS	880-10R35M-RMS	880-10R40M-RMS
11	880-11R23M-RMS	880-11R25M-RMS	880-11R30M-RMS	880-11R35M-RMS	880-11R40M-RMS
12	880-12R23M-RMS	880-12R25M-RMS	880-12R30M-RMS	880-12R35M-RMS	880-12R40M-RMS

Material: polyamide(natural white), screws in stainless steel, bushings in brass, DIN 6885 key seat. *Plain bore

New design 3 0 9 9 0 a

- Features:**
- Very high strength.
 - Split versions: quick and easy replacement.
 - Foolproof design.
 - Completely closed structure, easy to clean and to disinfect.
 - Excellent wear and chemical resistance.
 - Recyclable.



- Features:**
- Split versions: quick and easy replacement.
 - Foolproof design.
 - Excellent wear and chemical resistance.
 - Recyclable.

MOLDED DRIVE SPROCKETS - SPLIT FIXED

Z	Ø 25	Ø 30	Ø 35	Ø 40
	ITEM DESCRIPTION			
10	880-10R25M-DS	880-10R30M-DS	880-10R35M-DS	880-10R40M-DS
12	880-12R25M-DS	880-12R30M-DS	880-12R35M-DS	880-12R40M-DS

MOLDED RETURN SPROCKETS - SPLIT

10	880-10R25M-RS	880-10R30M-RS	880-10R35M-RS	880-10R40M-RS
12	880-12R25M-RS	880-12R30M-RS	880-12R35M-RS	880-12R40M-RS

Material: reinforced polyamide (black); screws in stainless steel, nuts in nickel plated brass, DIN 6885 key seat.

See also the chains:

- 828 **1 1 2 1 0 a**
- 879-880 **1 1 2 4 0 a**
- 879J-880J **1 1 2 4 0 b**

- 879M-880M **1 1 2 2 0 a**
- 878 TAB GS **1 1 4 3 0 a**
- 878TAB - 879TAB-880TAB **1 1 2 3 0 a**

- LBP 879 M **1 1 3 5 0 a**
- 878 TAB VG-879 TAB VG **1 1 3 9 0 a**
- 880 VACUUM **1 1 2 3 5 a**

See also the sprockets and idler wheels:

- 1 1 2 6 0 b**
- 1 1 2 6 0 d**

Information about this product is only available on our Smart Guide® website.

Chains & sprockets	Wear strips	Side guide brackets & accessories	Levelers	Engineering manual
Modular belts & sprockets	Chain & belt return systems	Frame & structure supports	Bearing supports	
Curves & tracks	Side guide solutions	Miscellaneous products	Equipment	



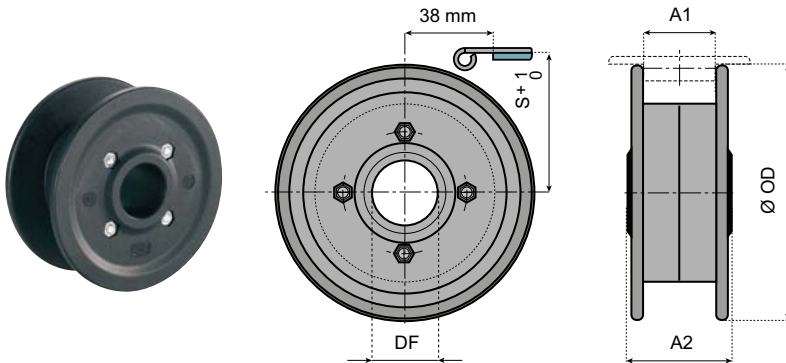
1 1 2 6 0 b

IDLER WHEELS

www.SystemPlastSmartGuide.com FOR CHAINS 828-879-880-880 M-879OP-880OP-LBP831-879M(VG-LBP)-879M VG

Features:

- Completely closed structure, easy to clean and to disinfect.
- Excellent wear and chemical resistance.
- Recyclable.



THESE IDLER WHEELS CANNOT BE USED FOR TAB CHAINS

Z	Ø 25	Ø 30	Ø 35	Ø 40
	ITEM DESCRIPTION			
8	FOR THESE IDLER WHEELS GO TO: 1 1 0 5 0 a (MIN Z17 IS SUITABLE)			
9				
10				
11				
12				

Z	A1 mm	A2 mm	Ø OD mm	S mm
8	44	52	106	56,2
9	44	60	118	62,6
10	44	60	129,8	68,6
11	44	60	142,5	74,6
12	44	60	155	80,5

Material: reinforced polyamide (black); screws in stainless steel.
 Application: chains series 879 - 879 M - 880 - 880 M



See also the chains:

828

1 1 2 1 0 a

879-880

1 1 2 4 0 b

879 M VG

1 1 3 8 0 a

879-880

1 1 2 4 0 a

LBP831

1 1 3 4 0 a

879M-880M

1 1 2 2 0 a

LBP 879 M

1 1 3 5 0 a



See also the sprockets:

1 1 2 6 0 a



Information about this product is only available on our Smart Guide® website.

Chains & sprockets	Wear strips	Side guide brackets & accessories	Levelers	Engineering manual
Modular belts & sprockets	Chain & belt return systems	Frame & structure supports	Bearing supports	
Curves & tracks	Side guide solutions	Miscellaneous products	Equipment	

11260d

IDLER WHEELS

www.SystemPlastSmartGuide.com

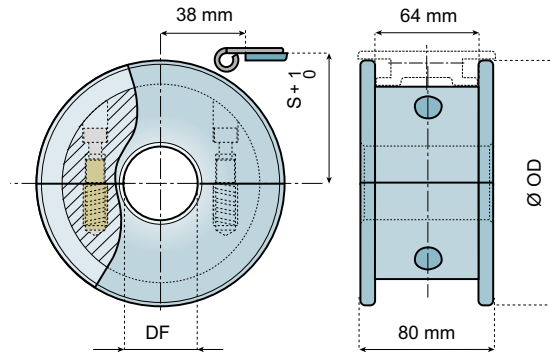
FOR CHAINS 877 (TAB) - 878 (TAB-VG-LBP) - 879 (TAB-VG) - 880TAB

New design

30990a

Features:

- Very high strength.
- Split versions: quick and easy replacement.
- Foolproof design.
- Completely closed structure, easy to clean and to disinfect.
- Excellent wear and chemical resistance.
- Recyclable.



THESE IDLER WHEELS CAN NOT BE USED FOR:

- LBP 879 M
- 879 M VG
- 879 M - 880 M
- 879 - 880
- 879J-880J



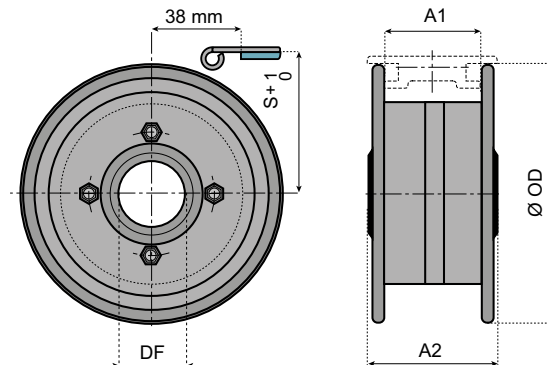
MACHINED IDLER WHEELS - SPLIT				
Z	Ø 25	Ø 30	Ø 35	Ø 40
	ITEM DESCRIPTION			
9	880T-9R25M-WMS	880T-9R30M-WMS	880T-9R35M-WMS	880T-9R40M-WMS
10	880T-10R25M-WMS	880T-10R30M-WMS	880T-10R35M-WMS	880T-10R40M-WMS
11	880T-11R25M-WMS	880T-11R30M-WMS	880T-11R35M-WMS	880T-11R40M-WMS
12	880T-12R25M-WMS	880T-12R30M-WMS	880T-12R35M-WMS	880T-12R40M-WMS

Z	Ø OD mm	S mm
9	117,0	62,6
10	129,8	68,6
11	142,2	74,6
12	154,7	80,5

Material: polyamide (natural white); screws in stainless steel, bushings in brass.

Features:

- Completely closed structure, easier to clean and to disinfect.
- Excellent wear and chemical resistance.
- Recyclable.



MOLDED IDLER WHEELS - ONE PIECE FOR TAB CHAINS				
Z	Ø 25	Ø 30	Ø 35	Ø 40
	ITEM DESCRIPTION			
9	880T-9R25M-W	880T-9R30M-W	880T-9R35M-W	880T-9R40M-W
10	880T-10R25M-W	880T-10R30M-W	880T-10R35M-W	880T-10R40M-W
11	880T-11R25M-W	880T-11R30M-W	880T-11R35M-W	880T-11R40M-W
12	880T-12R25M-W	880T-12R30M-W	880T-12R35M-W	880T-12R40M-W

Z	A1 mm	A2 mm	Ø OD mm	S mm
9	64	80	118	62,6
10	64	80	129,8	68,6
11	64	80	142,5	74,6
12	64	80	155	80,5

Material: reinforced polyamide (black); screws in stainless steel.



See also the chains:

878TAB - 879 TAB - 880 TAB

11230a

880 VACUUM

11235a

LBP 878 TAB

11350a

878 TAB VG - 879 TAB VG

11390a

878 TAB GS

11430a



See also the sprockets:

11260a



Information about this product is only available on our Smart Guide® website.

Chains & sprockets	Wear strips	Side guide brackets & accessories	Levelers	Engineering manual
Modular belts & sprockets	Chain & belt return systems	Frame & structure supports	Bearing supports	
Curves & tracks	Side guide solutions	Miscellaneous products	Equipment	

11270a

DRIVE DISK - MOLDED VERSION

www.SystemPlastSmartGuide.com

FOR CHAINS 877 TAB - 878 TAB- LBP 878 TAB - 878 TAB VG



Material: polyamide.
Colour: black.

ITEM DESCRIPTION	Z	B mm	C mm	Ø M mm	R mm
878-380R60M-D	32	336,0	352,0	311,0	190
878-400R60M-D	34	358,5	373,5	333,5	200

Hub for tangential sprockets

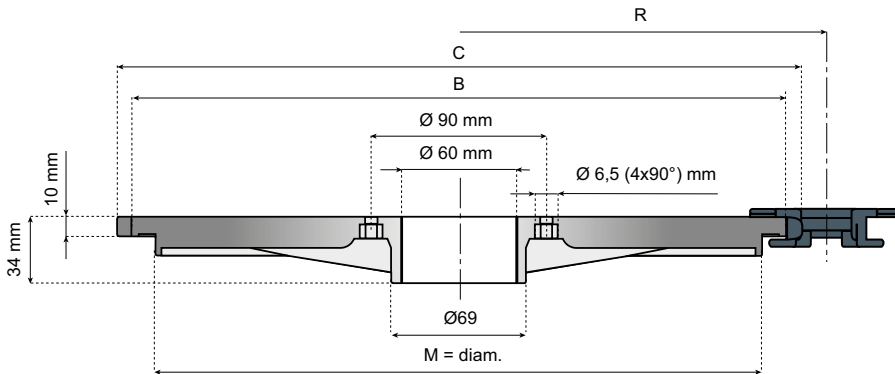
Material: aluminium.

Packaging:

- 1 hub for tangential sprockets.
- 4 screws M6 in stainless steel.
- 4 nuts in stainless steel.

*Plain bore

ITEM DESCRIPTION	Ø DF mm
HUB110-60R18M	18*
HUB110-60R25M	25
HUB110-60R30M	30
HUB110-60R40M	40

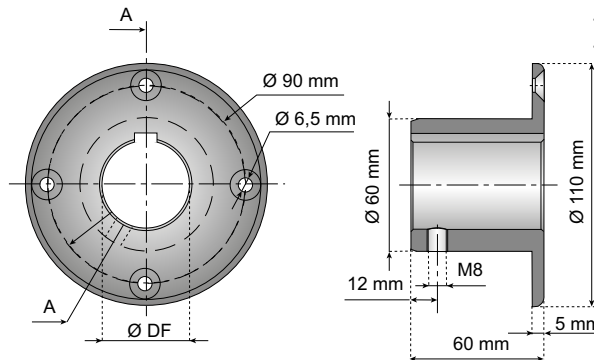


877 TAB - 878 TAB
11230a

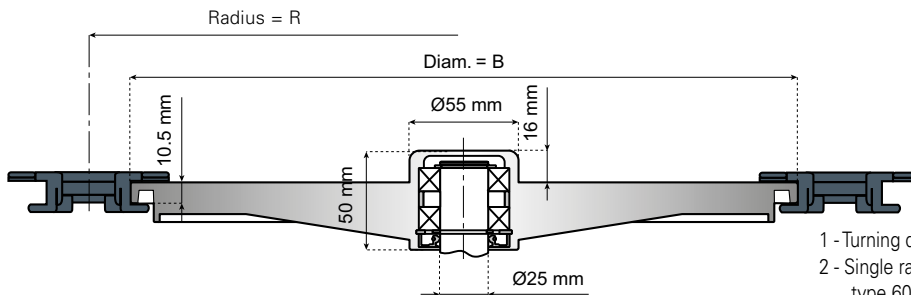
878 TAB VG
11390a

LBP 878 TAB
11350a

Information about this product is only available on our Smart Guide® website.



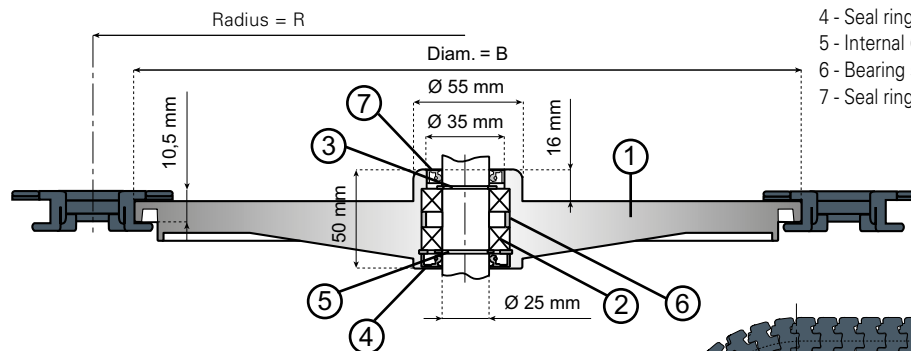
TURNING DISKS FOR CHAINS 877 & 878 TAB - MOLDED VERSION



Closed Version

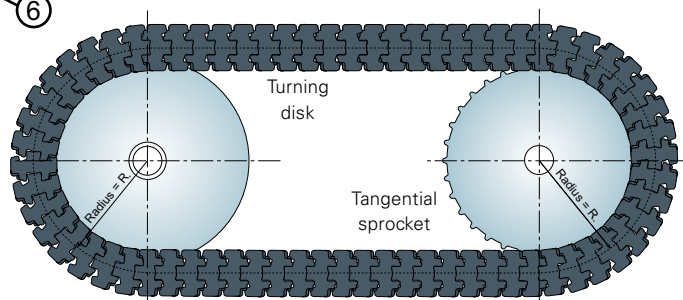
ITEM DESCRIPTION	Z	B mm	R mm
878-380R25M-RC	32	337	190
878-400R25M-RC	34	359	200

- 1 - Turning disk.
- 2 - Single race radial ball bearing with two sliding seals, type 6005-2RS (25x47x12).
- 3 - External (retaining) ring, Ø 25 DIN 471.
- 4 - Seal ring with dust cover, 25x47x7 DIN 3760 (NBR rubber).
- 5 - Internal (retaining) ring, Ø 47 DIN 472.
- 6 - Bearing spacer.
- 7 - Seal ring with dust cover, 25x35x7 DIN 3760 (NBR rubber).



Open Version

ITEM DESCRIPTION	Z	B mm	R mm
878-380R25M-RB	32	337	190
878-400R25M-RB	34	359	200



The use of tangential sprockets and turning disks enables the design of compact conveying systems with a great number of curves. It becomes easy to realise circuits either on the same level or staggered, inclined or downclined.

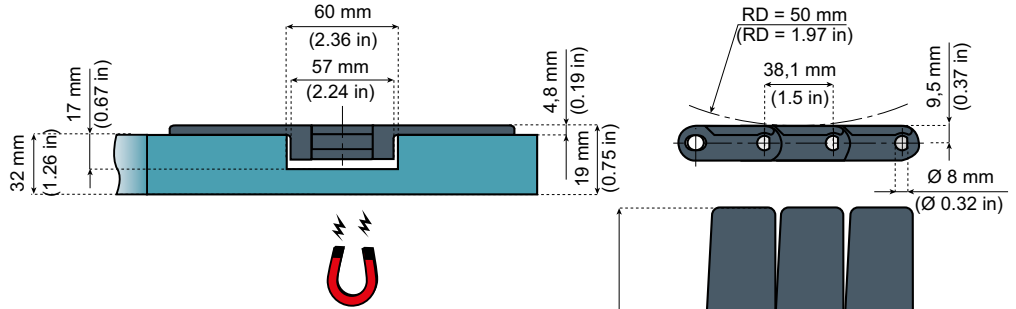
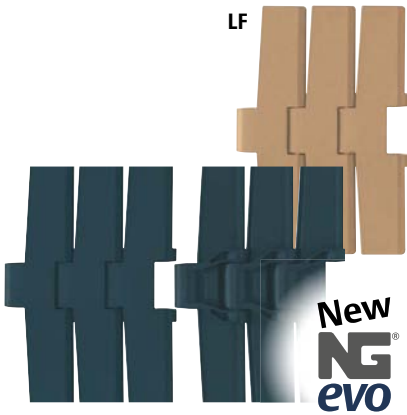
Chains & sprockets	Wear strips	Side guide brackets & accessories	Levelers	Engineering manual
Modular belts & sprockets	Chain & belt return systems	Frame & structure supports	Bearing supports	
Curves & tracks	Side guide solutions	Miscellaneous products	Equipment	

11280a

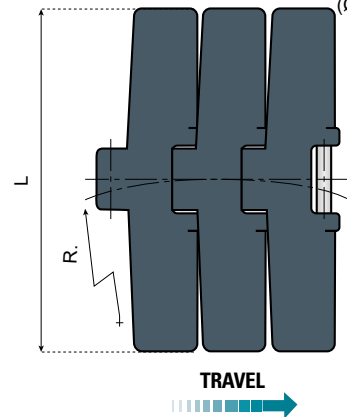
882M

www.SystemPlastSmartGuide.com

SIDEFLEXING CHAINS FOR MAGNETIC SYSTEM



Nolu®-S curves
are strongly recommended
with these chains!



NG® evo conveyor components
made from engineered plastic resin
Longer wearlife than acetal
Lower friction than acetal
Good chemical resistance
High abrasion resistance
It meets the requirement for materials as
stated by EC1935/2004 and FDA CFR21
norms for direct food contact
Less dust than with acetal chains
More.....

11300a

50060a

ITEM DESCRIPTION	MATERIAL PLATE	BREAKING LOAD		WIDTH L		R MIN.		WEIGHT	
		N	lbs	mm	in	mm	in	Kg/m	lbs/ft.
NGE882M-K750	NGE Grey Blue	9000	2020	190,5	7 ½	610	24	2,2	1.4
NGE882M-K1000				254,0	10			2,5	1.6
NGE882M-K1200				304,8	12			2,7	1.8
LF882M-K750	LF Brown	10000	2250	190,5	7 ½	610	24	2,2	1.4
LF882M-K1000				254,0	10			2,5	1.6
LF882M-K1200				304,8	12			2,7	1.8

Standard length: 80 pitches (10 ft. - 3,048 m)

Breaking load according to standard ISO 4348 - DIN 8153

Other versions 882 M:

VG
Rubber top

LBP
(low pressure)

Chains & sprockets	Wear strips	Side guide brackets & accessories	Levelers	Engineering manual
Modular belts & sprockets	Chain & belt return systems	Frame & structure supports	Bearing supports	
Curves & tracks	Side guide solutions	Miscellaneous products	Equipment	

11290a

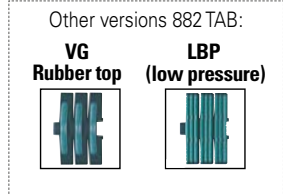
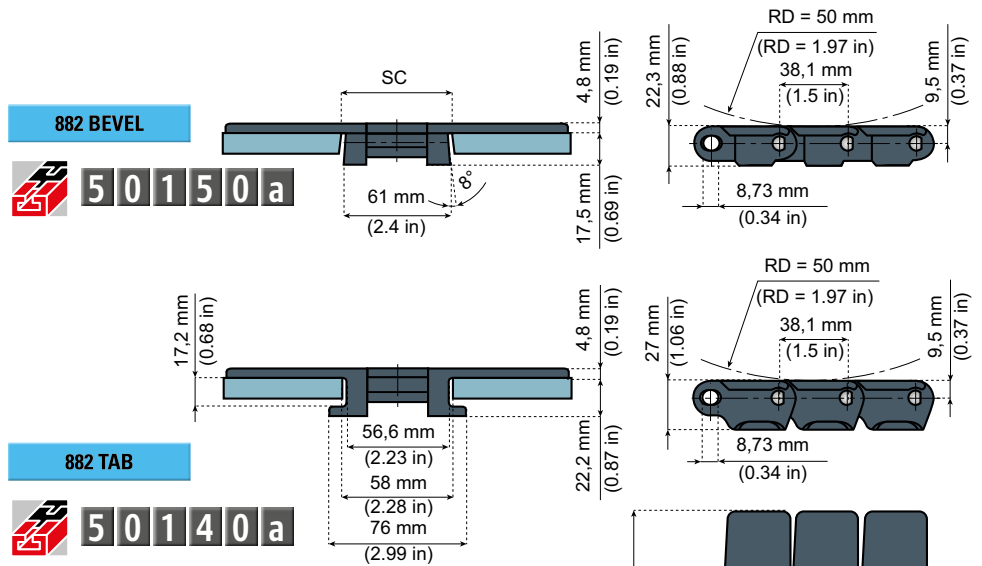
882 BEVEL - 882 TAB

SIDEFLEXING CHAINS

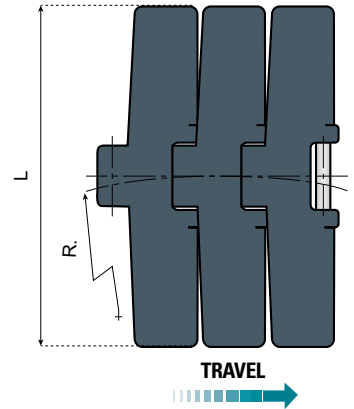
www.SystemPlastSmartGuide.com



NG® evo conveyor components made from engineered plastic resin
 Longer wearlife than acetal
 Lower friction than acetal
 Good chemical resistance
 High abrasion resistance
 It meets the requirement for materials as stated by EC1935/2004 and FDA CFR21 norms for direct food contact
 Less dust than with acetal chains
 More.....



Nolu®-S curves are strongly recommended with these chains!



Characteristics:

The 882 BEVEL and TAB types have a larger hinge geometry and because of a well balanced distribution of the material they have an excellent carrying load capacity.

Advantages: Heavy duty.

Pin material: Austenitic steel.

11300a

ITEM DESCRIPTION	MATERIAL PLATE	BREAKING LOAD		WIDTH L		R MIN.		SC				WEIGHT	
		N	lbs	mm	in	mm	in	STRAIGHT		CURVING		Kg/m	lbs/ft.
								mm	in	mm	in		
NGE882-K450	NGE Grey Blue	9000	2020	114,3	4 ½	610	24	62	2.44	58	2.28	1,9	1.3
NGE882-K750				190,5	7 ½							2,4	1.6
NGE882-K1000				254,0	10							2,8	1.9

ITEM DESCRIPTION	MATERIAL PLATE	BREAKING LOAD		WIDTH L		R MIN.		SC				WEIGHT	
		N	lbs	mm	in	mm	in	STRAIGHT		CURVING		Kg/m	lbs/ft.
								mm	in	mm	in		
NGE882TAB-K450	NGE Grey Blue	9000	2020	114,3	4 ½	610	24	62	2.44	58	2.28	2,0	1.4
NGE882TAB-K750				190,5	7 ½							2,5	1.7
NGE882TAB-K1000				254,0	10							2,9	1.9
NGE882TAB-K1200				304,8	12							3,4	2.3
LF882TAB-K450	LF Brown	10000	2250	114,3	4 ½	610	24	62	2.44	58	2.28	2,0	1.4
LF882TAB-K750				190,5	7 ½							2,5	1.7
LF882TAB-K1000				254,0	10							2,9	1.9
LF882TAB-K1200				304,8	12							3,4	2.3

Standard length: 80 pitches (3,048 m - 10 ft.)

Breaking load according to standard ISO 4348 - DIN 8153

Chains & sprockets	Wear strips	Side guide brackets & accessories	Levelers	Engineering manual
Modular belts & sprockets	Chain & belt return systems	Frame & structure supports	Bearing supports	
Curves & tracks	Side guide solutions	Miscellaneous products	Equipment	



11300a

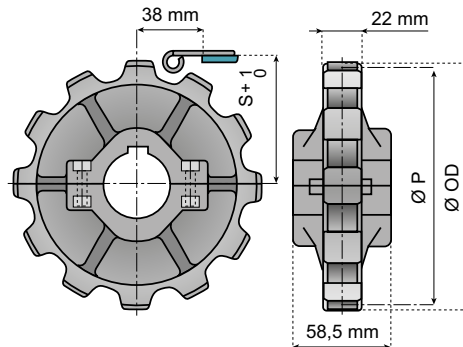
DRIVE AND RETURN SPROCKETS

www.SystemPlastSmartGuide.com

FOR CHAINS 882 (M-VG-TAB-LBP-BEVEL) - 8257 (VG-LBP)

Features:

- Split versions: quick and easy replacement.
- Foolproof design.
- Excellent wear and chemical resistance.
- Recyclable.



Z	Ø 25	Ø 30	Ø 35	Ø 40
	ITEM DESCRIPTION			
10	882-10R25M-DS	882-10R30M-DS	882-10R35M-DS	882-10R40M-DS
12	882-12R25M-DS	882-12R30M-DS	882-12R35M-DS	882-12R40M-DS

Z	ITEM DESCRIPTION			
	10	882-10R25M-RS	882-10R30M-RS	882-10R35M-RS
12	882-12R25M-RS	882-12R30M-RS	882-12R35M-RS	882-12R40M-RS

Z	Ø OD mm	Ø P mm	S mm
10	125	123,3	66,4
12	149,2	147,2	78,7

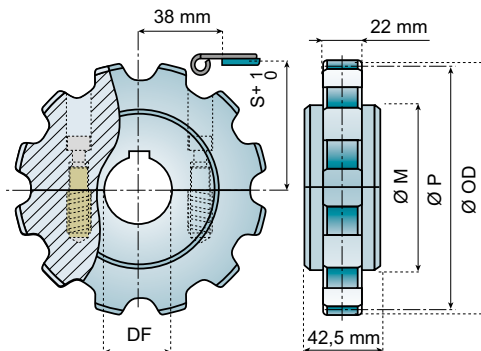
Material: reinforced polyamide (black); screws in stainless steel, nut in nickel plated brass, DIN 6885 key seat.

New design

30990a

Features:

- Very high strength.
- Split versions: quick and easy replacement.
- Foolproof design.
- Completely closed structure, easy to clean and to disinfect.
- Excellent wear and chemical resistance.
- Recyclable.



Z	Ø 23*	Ø 30	Ø 35	Ø 40
	ITEM DESCRIPTION			
9	-	882-9R30M-DMS	882-9R35M-DMS	882-9R40M-DMS
10	-	882-10R30M-DMS	882-10R35M-DMS	882-10R40M-DMS
11	-	882-11R30M-DMS	882-11R35M-DMS	882-11R40M-DMS
12	-	882-12R30M-DMS	882-12R35M-DMS	882-12R40M-DMS

Z	ITEM DESCRIPTION			
	9	882-9R23M-RMS	882-9R30M-RMS	882-9R35M-RMS
10	882-10R23M-RMS	882-10R30M-RMS	882-10R35M-RMS	882-10R40M-RMS
11	882-11R23M-RMS	882-11R30M-RMS	882-11R35M-RMS	882-11R40M-RMS
12	882-12R23M-RMS	882-12R30M-RMS	882-12R35M-RMS	882-12R40M-RMS

Material: polyamide (natural white); screws in stainless steel, bushings in brass, DIN 6885 key seat. *Plain bore



See also the chains:

8257

11310a

LBP 882M-LBP 882 TAB

11360a

LBP 8257

11370a

882 M VG - 882 TAB VG

11400a

882 BEVEL

11290a

8257VG

11410a

882M

11280a



See also the idler wheels:

11300b



Information about this product is only available on our Smart Guide® website.

Z	Ø OD mm	Ø P mm	Ø M mm	S mm
9	112	111,4	65	60,5
10	125	123,3	75	66,4
11	137	135,2	85	72,4
12	149	147,2	90	78,7

Chains & sprockets	Wear strips	Side guide brackets & accessories	Levelers	Engineering manual
Modular belts & sprockets	Chain & belt return systems	Frame & structure supports	Bearing supports	
Curves & tracks	Side guide solutions	Miscellaneous products	Equipment	



1 1 3 0 0 b

IDLER WHEELS

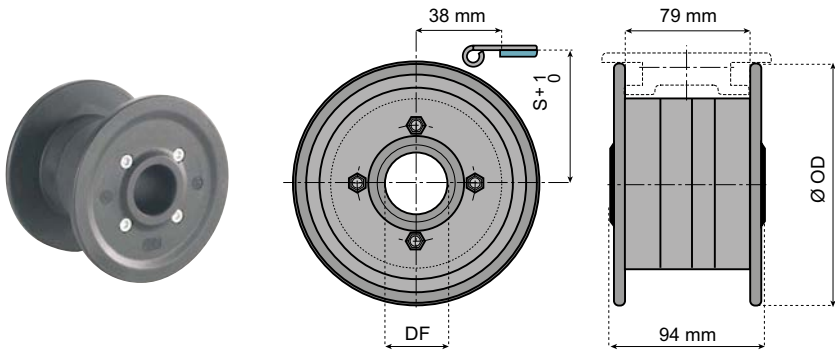
FOR CHAINS 882 (TAB-VG-LBP)

www.SystemPlastSmartGuide.com

Features:

- Completely closed structure, easy to clean and to disinfect.
- Excellent wear and chemical resistance.
- Recyclable.

THESE IDLER WHEELS ARE ONLY FOR 882 TAB CHAINS



MOLDED IDLER WHEELS - ONE PIECE				
Z	Ø 25	Ø 30	Ø 35	Ø 40
ITEM DESCRIPTION				
10	882T-10R25M-W	882T-10R30M-W	882T-10R35M-W	882T-10R40M-W
12	882T-12R25M-W	882T-12R30M-W	882T-12R35M-W	882T-12R40M-W

Z	Ø OD mm	S mm
10	129,8	68,6
12	155	80,5

Material: reinforced polyamide (black); screws in stainless steel.
Application: chains series 882 TAB - LBP 882 TAB.



882 TAB
1 1 2 9 0 a

882 TAB VG
1 1 4 0 0 a

LBP 882 TAB
1 1 3 5 0 a



Information about this product is only available on our Smart Guide® website.

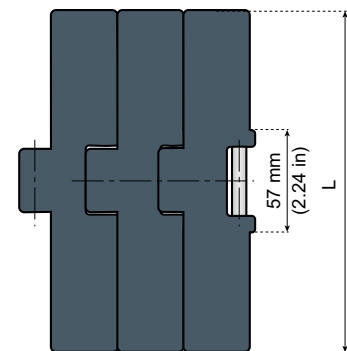
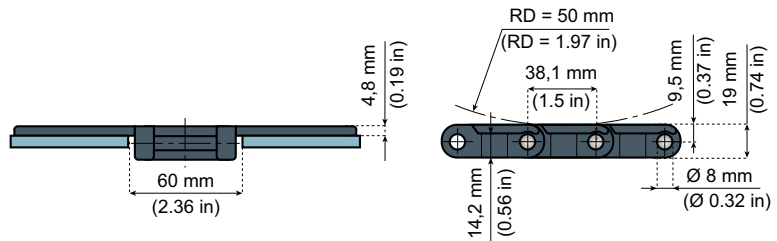
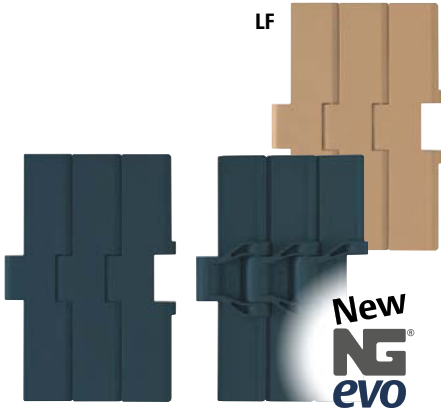
Chains & sprockets	Wear strips	Side guide brackets & accessories	Levelers	Engineering manual
Modular belts & sprockets	Chain & belt return systems	Frame & structure supports	Bearing supports	
Curves & tracks	Side guide solutions	Miscellaneous products	Equipment	

1 1 3 1 0 a

8257

www.SystemPlastSmartGuide.com

STRAIGHT RUNNING CHAINS HEAVY DUTY SINGLE HINGE



NG® evo conveyor components
made from engineered plastic resin

- Longer wearlife than acetal
- Lower friction than acetal
- Good chemical resistance
- High abrasion resistance

It meets the requirement for materials as stated by EC1935/2004 and FDA CFR21 norms for direct food contact
Less dust than with acetal chains
More.....

Advantages:

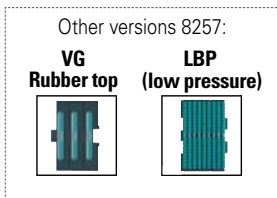
- High strength
- Helps standardising your conveyor constructions
- Same hinge width available in many chain types, both steel and plastic, also LBP chains and rubber top chains

Pin material: Austenitic steel

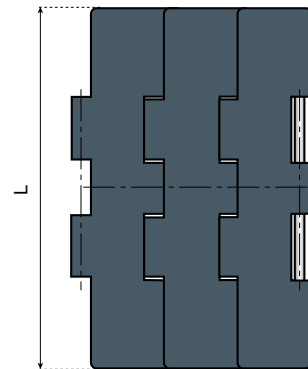
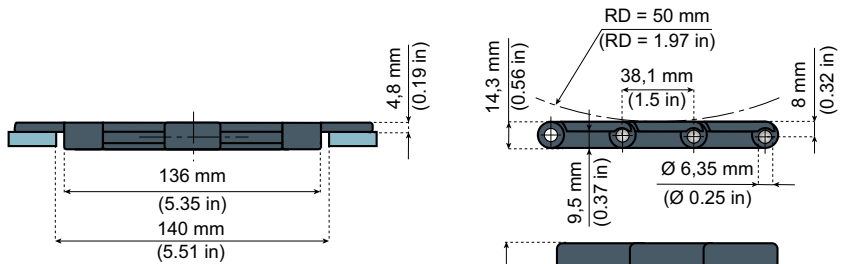
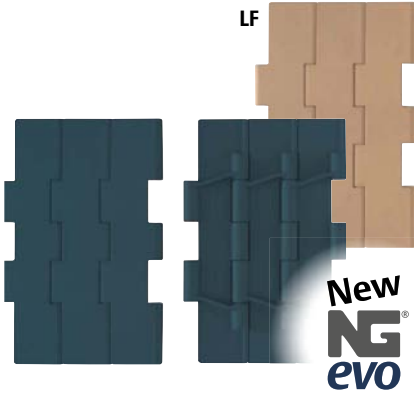
ITEM DESCRIPTION	MATERIAL PLATE	BREAKING LOAD		WIDTH L		WEIGHT	
		N	lbs	mm	in	Kg/m	lbs/ft.
NGE8257-K750	NGE Grey Blue	9000	2020	190,5	7 ½	2,2	1.5
NGE8257-K1000				254,0	10	2,6	1.7
NGE8257-K1200				304,8	12	2,9	2.0
LF8257-K750	LF Brown	10000	2250	190,5	7 ½	2,2	1.5
LF8257-K1000				254,0	10	2,6	1.7
LF8257-K1200				304,8	12	2,9	2.0

Standard length: 80 pitches (10 ft. - 3,048 m)

Breaking load according to standard ISO 4348 - DIN 8153



Chains & sprockets	Wear strips	Side guide brackets & accessories	Levelers	Engineering manual
Modular belts & sprockets	Chain & belt return systems	Frame & structure supports	Bearing supports	
Curves & tracks	Side guide solutions	Miscellaneous products	Equipment	



NG® evo conveyor components
made from engineered plastic resin
 Longer wearlife than acetal
 Lower friction than acetal
 Good chemical resistance
 High abrasion resistance
 It meets the requirement for materials as stated by EC1935/2004 and FDA CFR21 norms for direct food contact
 Less dust than with acetal chains
 More.....

These chains have a double hinge and double reinforcing bars, for a high strength.

Pin material: Austenitic steel

Other versions 821:

VG Rubber top	LBP (low pressure)

ITEM DESCRIPTION	MATERIAL PLATE	BREAKING LOAD		WIDTH L		WEIGHT	
		N	lbs	mm	in	Kg/m	lbs/ft.
NGE821-K750	NGE Grey Blue	7500	1650	190,5	7 ½	2,6	1.7
NGE821-K1000				254,0	10	3,1	2.6
NGE821-K1200				304,8	12	3,4	2.3
LF821-K750	LF Brown	8300	1830	190,5	7 ½	2,6	1.7
LF821-K1000				254,0	10	3,1	2.6
LF821-K1200				304,8	12	3,4	2.3



Information about this product is only available on our Smart Guide® website.

For standard sprockets, go to:
111120a

For other sprockets, go to:
111320b

Chains & sprockets	Wear strips	Side guide brackets & accessories	Levelers	Engineering manual
Modular belts & sprockets	Chain & belt return systems	Frame & structure supports	Bearing supports	
Curves & tracks	Side guide solutions	Miscellaneous products	Equipment	

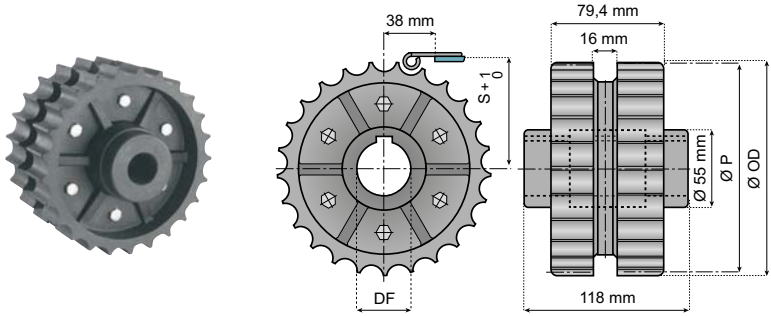


1 1 3 2 0 b

DRIVE AND RETURN SPROCKETS, IDLER WHEELS

www.SystemPlastSmartGuide.com

FOR CHAINS 821 (VG-LBP) - LBP8257



MOLDED DRIVE SPROCKETS - ONE PIECE TIGHT				
Z	Ø 25	Ø 30	Ø 35	Ø 40
ITEM DESCRIPTION				
25	821-25R25M-D	821-25R30M-D	821-25R35M-D	821-25R40M-D

MOLDED RETURN SPROCKETS - ONE PIECE				
Z	Ø 25	Ø 30	Ø 35	Ø 40
25	821-25R25M-R	821-25R30M-R	821-25R35M-R	821-25R40M-R

NOT SUITABLE FOR LBP8257!

Z	Ø P mm	Ø OD mm	S mm
25	153,2	155,0	80,5

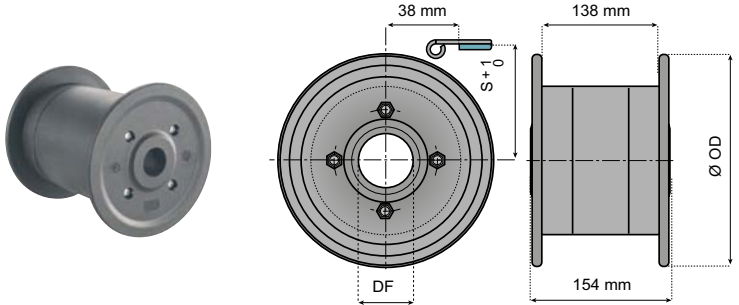
Material: reinforced polyamide (black); screws in stainless steel, DIN 6885 key seat.

821
1 1 3 2 0 a

821 VG
1 1 4 1 0 a

LBP 8257
1 1 3 7 0 a

800-802-805
1 1 1 2 0 a

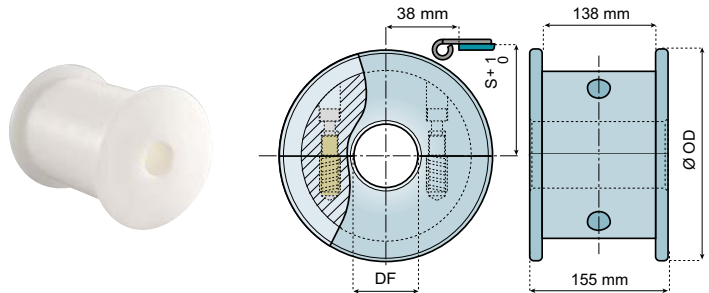


- Features:**
- Completely closed structure, easy to clean and to disinfect.
 - Excellent wear and chemical resistance.
 - Recyclable.

MOLDED IDLER WHEELS - ONE PIECE				
Z	Ø 25	Ø 30	Ø 35	Ø 40
ITEM DESCRIPTION				
19	821-19R25M-W	821-19R30M-W	821-19R35M-W	821-19R40M-W
21	821-21R25M-W	821-21R30M-W	821-21R35M-W	821-21R40M-W
25	821-25R25M-W	821-25R30M-W	821-25R35M-W	821-25R40M-W

Z	Ø OD mm	S mm
19	118,0	62,6
21	129,8	68,6
25	155,0	80,5

Material: reinforced polyamide (black); screws in stainless steel.



MACHINED IDLER WHEELS - SPLIT			
Z	Ø 30	Ø 35	Ø 40
ITEM DESCRIPTION			
21	821-21R30M-WMS	821-21R35M-WMS	821-21R40M-WMS
23	821-23R30M-WMS	821-23R35M-WMS	821-23R40M-WMS
25	821-25R30M-WMS	821-25R35M-WMS	821-25R40M-WMS

Material: polyamide (natural white); screws in stainless steel, bushings in brass.

New design 3 0 9 9 0 a

- Features:**
- Very high strength.
 - Split versions: quick and easy replacement.
 - Foolproof design.
 - Completely closed structure, easy to clean and to disinfect.
 - Excellent wear and chemical resistance.
 - Recyclable.

Chains & sprockets	Wear strips	Side guide brackets & accessories	Levelers	Engineering manual
Modular belts & sprockets	Chain & belt return systems	Frame & structure supports	Bearing supports	
Curves & tracks	Side guide solutions	Miscellaneous products	Equipment	

1 1 3 2 0 z

APPLICATION EXAMPLES

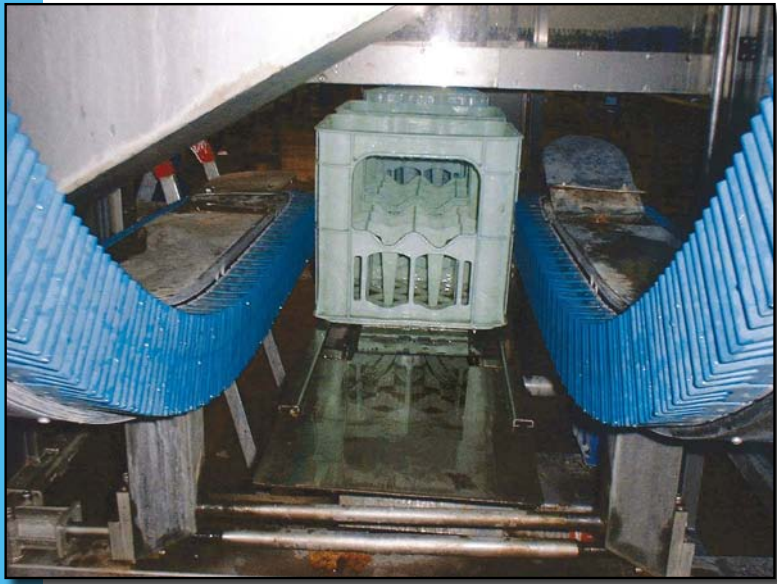
www.SystemPlastSmartGuide.com



SINGLE TRACK CONVEYOR FOR PET BOTTLES.

For 828 chains, go to:

1 1 2 1 0 a



GRIPPER CHAINS FOR CRATE ELEVATORS.

For gripper chains, go to:

1 1 0 1 2 a



MASS FLOW TO SINGLE ROW USING 2250 MODULAR BELT.

Details, go to:

3 0 3 1 0 a 



Information about this product is only available on our Smart Guide® website.

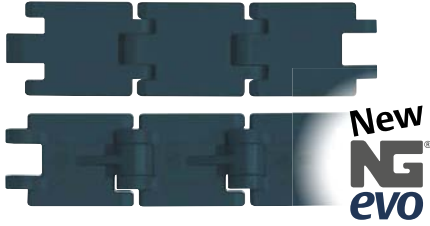
Chains & sprockets	Wear strips	Side guide brackets & accessories	Levelers	Engineering manual
Modular belts & sprockets	Chain & belt return systems	Frame & structure supports	Bearing supports	
Curves & tracks	Side guide solutions	Miscellaneous products	Equipment	

11330a

SK 38

www.SystemPlastSmartGuide.com

STRAIGHT RUNNING CHAINS MINI SINGLE HINGE



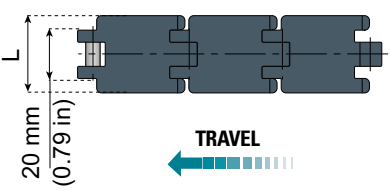
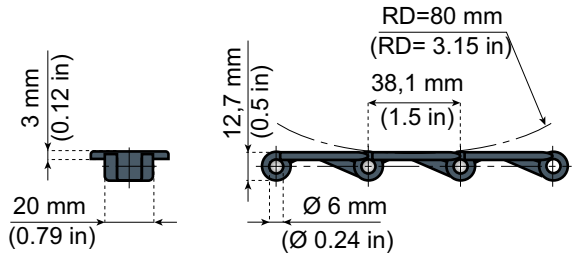
New NG evo

NG® evo conveyor components made from engineered plastic resin
 Longer wearlife than acetal
 Lower friction than acetal
 Good chemical resistance
 High abrasion resistance
 It meets the requirement for materials as stated by EC1935/2004 and FDA CFR21 norms for direct food contact
 Less dust than with acetal chains
 More.....

Applications:

- Exclusive mini hinge plastic chain for use in applications where space is restricted.
- Ideal for conveying containers in the cosmetic or pharmaceutical industries.

Pin material: Austenitic steel



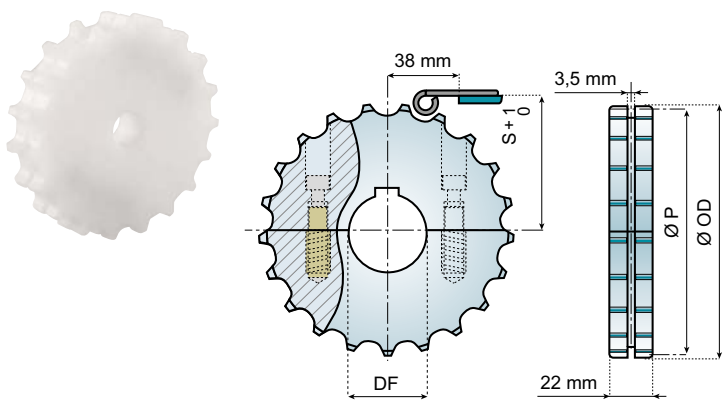
ITEM DESCRIPTION	MATERIAL PLATE	BREAKING LOAD		WIDTH L		WEIGHT	
		N	lbs	mm	in	Kg/m	lbs/ft.
NGE-S-K38-K125	NGE	1800	400	32,0	1 ¼	0,3	0.2
NGE-S-K38-K200	Grey Blue			50,8	2		

DRIVE AND RETURN SPROCKETS FOR CHAINS SK 38 AND 814 (VG)

New design
30990a

Features:

- Very high strength.
- Split versions: quick and easy replacement.
- Foolproof design.
- Completely closed structure, easy to clean and to disinfect.
- Excellent wear and chemical resistance.
- Recyclable.



MACHINED DRIVE SPROCKETS - SPLIT FIXED

Z	Ø 23*	Ø 25	Ø 30	Ø 35
	ITEM DESCRIPTION			
19	-	SK38-19R25M-DMS	SK38-19R30M-DMS	SK38-19R35M-DMS
23	-	SK38-23R25M-DMS	SK38-23R30M-DMS	SK38-23R35M-DMS
25	-	SK38-25R25M-DMS	SK38-25R30M-DMS	SK38-25R35M-DMS

OPTIMUM CHOICE FOR SK38 AND 814 (VG) CHAINS SERIES

MACHINED RETURN SPROCKETS - SPLIT

19	SK38-19R23M-RMS	SK38-19R25M-RMS	SK38-19R30M-RMS	SK38-19R35M-RMS
23	SK38-23R23M-RMS	SK38-23R25M-RMS	SK38-23R30M-RMS	SK38-23R35M-RMS
25	SK38-25R23M-RMS	SK38-25R25M-RMS	SK38-25R30M-RMS	SK38-25R35M-RMS

Z	Ø OD mm	Ø P mm	S mm
19	117	117,34	61,90
23	142	141,21	73,80
25	154	153,21	79,80

Material: polyamide (natural white); screws in stainless steel, bushings in brass, DIN 6885 key seat. *Plain bore

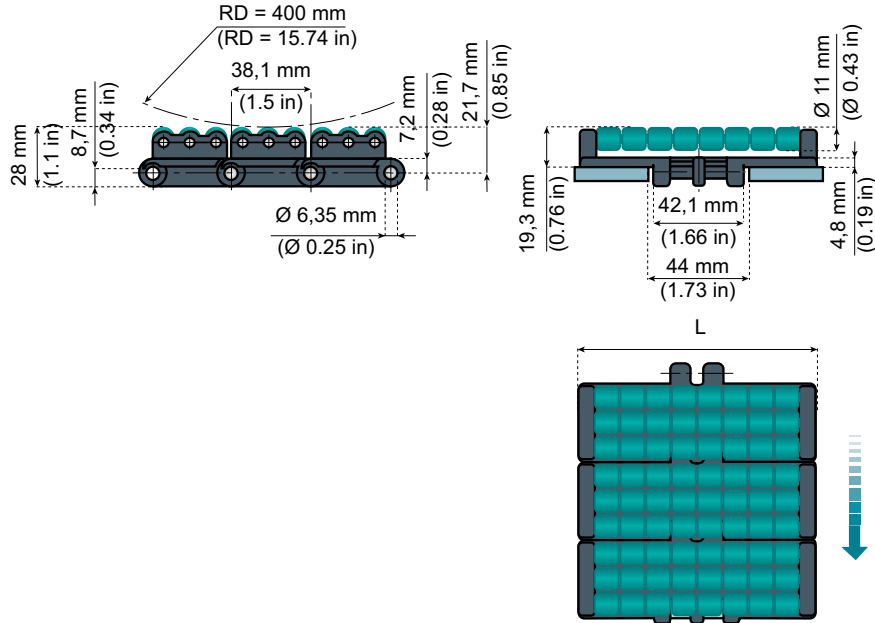
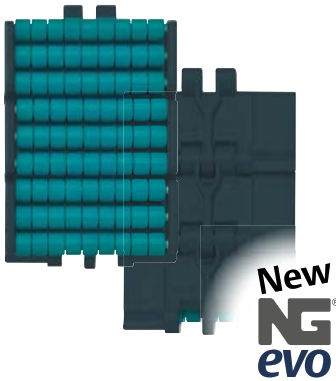
Chains & sprockets	Wear strips	Side guide brackets & accessories	Levelers	Engineering manual
Modular belts & sprockets	Chain & belt return systems	Frame & structure supports	Bearing supports	
Curves & tracks	Side guide solutions	Miscellaneous products	Equipment	

1 1 3 4 0 a

LBP 831

www.SystemPlastSmartGuide.com

SINGLE HINGE STRAIGHT RUNNING CHAINS WITH LOW NOISE ACCUMULATION ROLLERS



NG® evo conveyor components
made from engineered plastic resin
 Longer wearlife than acetal
 Lower friction than acetal
 Good chemical resistance
 High abrasion resistance
 It meets the requirement for materials as stated by EC1935/2004 and FDA CFR21 norms for direct food contact
 Less dust than with acetal chains
 More.....

ITEM DESCRIPTION	MATERIAL		BREAKING LOAD		WIDTH L		WEIGHT	
	PLATE	ROLLER	N	lbs	mm	in	Kg/m	lbs/ft.
NGE831LBP-K325	NGE Grey Blue	Water blue	4500	1000	82,5	3 ¼	2,2	1.4
NGE831LBP-K450					114,3	4 ½	2,9	1.9

Standard length: 40 pitches (5 ft. - 1,524 m)

Breaking load according to standard ISO 4348 - DIN 8153



Other versions 831:

FT Flat top	VG Rubber top

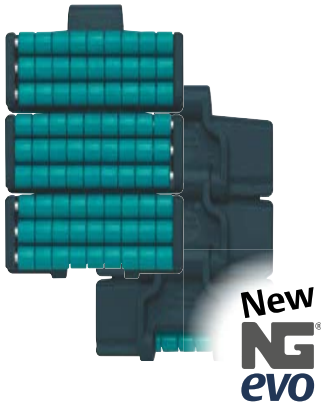
Chains & sprockets	Wear strips	Side guide brackets & accessories	Levelers	Engineering manual
Modular belts & sprockets	Chain & belt return systems	Frame & structure supports	Bearing supports	
Curves & tracks	Side guide solutions	Miscellaneous products	Equipment	

11350a

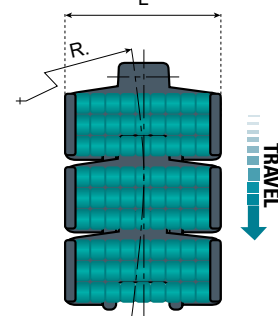
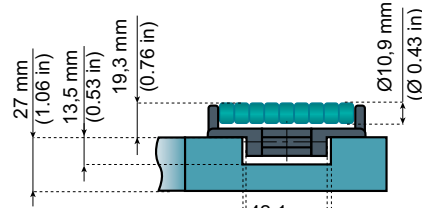
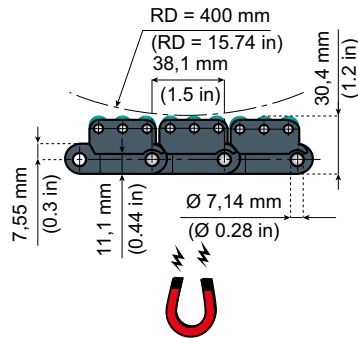
LBP 879 M

www.SystemPlastSmartGuide.com

SIDEXFING CHAINS FOR MAGNETIC SYSTEM WITH LOW NOISE ACCUMULATION ROLLERS



New
NG evo



NG® evo conveyor components made from engineered plastic resin

- Longer wearlife than acetal
- Lower friction than acetal
- Good chemical resistance
- High abrasion resistance

It meets the requirement for materials as stated by EC1935/2004 and FDA CFR21 norms for direct food contact

Less dust than with acetal chains

More.....

Nolu®-S curves are strongly recommended with these chains!

Other versions 879 M:



11260a

50070a

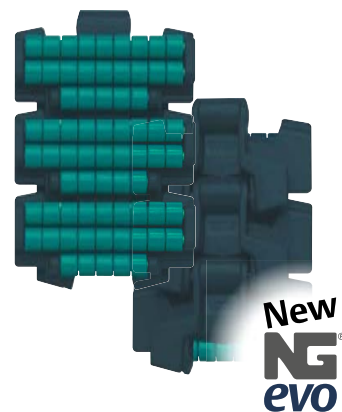
ITEM DESCRIPTION	MATERIAL		BREAKING LOAD		WIDTH L		R MIN.		WEIGHT	
	PLATE	ROLLER	N	lbs	mm	in	mm	in	Kg/m	lbs/ft.
NGE879LBP-M-K325	NGE Grey Blue	POM Water blue	5100	1150	82,5	3 ¼	500	19.7	2,3	1.5

Standard length: 40 pitches (5 ft. - 1,524 m)

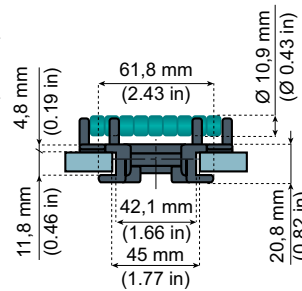
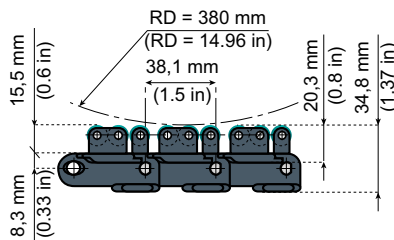
Breaking load according to standard ISO 4348 - DIN 8153

LBP 878 TAB

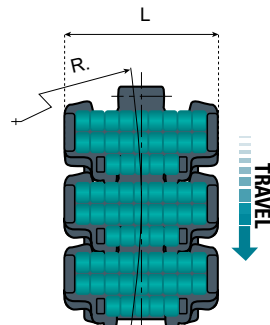
SIDEXFING CHAINS WITH LOW NOISE ACCUMULATION ROLLERS



New
NG evo



Nolu®-S curves are strongly recommended with these chains!



NG® evo conveyor components made from engineered plastic resin

- Longer wearlife than acetal
- Lower friction than acetal
- Good chemical resistance
- High abrasion resistance

It meets the requirement for materials as stated by EC1935/2004 and FDA CFR21 norms for direct food contact

Less dust than with acetal chains

More.....

11260a

50110a

For Drive Disk, go to

11270a

Other versions 878 TAB:



ITEM DESCRIPTION	MATERIAL		BREAKING LOAD		WIDTH L		R MIN.		WEIGHT	
	PLATE	ROLLER	N	lbs	mm	in	mm	in	Kg/m	lbs/ft.
NGE878LBP-TAB-K325	NGE Grey Blue	POM Water blue	5400	1200	82,5	3 ¼	200	7.9	3,2	2.2

Standard length: 40 pitches (5 ft. - 1,524 m)

Breaking load according to standard ISO 4348 - DIN 8153

Chains & sprockets	Wear strips	Side guide brackets & accessories	Levelers	Engineering manual
Modular belts & sprockets	Chain & belt return systems	Frame & structure supports	Bearing supports	
Curves & tracks	Side guide solutions	Miscellaneous products	Equipment	

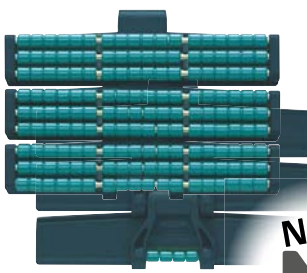


11360a

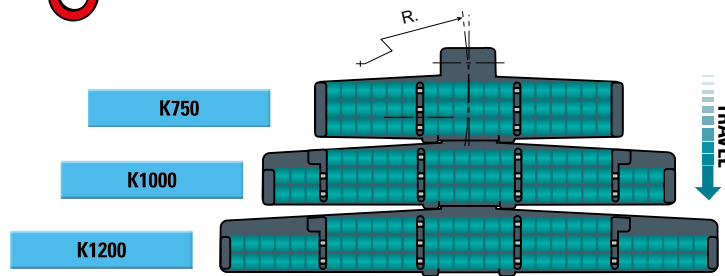
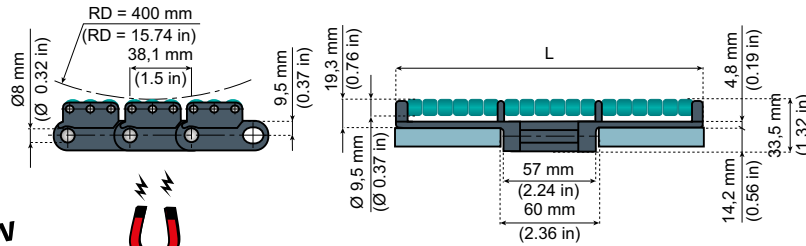
LBP 882M

www.SystemPlastSmartGuide.com

SIDEFLEXING CHAINS FOR MAGNETIC SYSTEM HEAVY DUTY SINGLE HINGE WITH LOW NOISE ACCUMULATION ROLLERS



New
NG
evo



Other versions 882 M:



NG® evo conveyor components made from engineered plastic resin
 Longer wearlife than acetal
 Lower friction than acetal
 Good chemical resistance
 High abrasion resistance
 It meets the requirement for materials as stated by EC1935/2004 and FDA CFR21 norms for direct food contact
 Less dust than with acetal chains
 More.....

11300a **50070a**

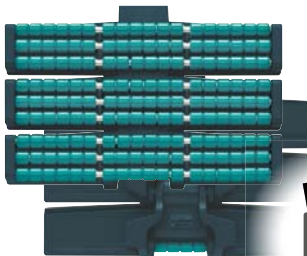
ITEM DESCRIPTION	MATERIAL		BREAKING LOAD		WIDTH L		R MIN.		WEIGHT	
	PLATE	ROLLER	N	lbs	mm	in	mm	in	Kg/m	lbs/ft.
NGE882LBP-M-K750	NGE Grey Blue	POM Water blue	9000	2000	190,5	7 ½	610	24.01	3,9	2.6
NGE882LBP-M-K1000					254,0	10			5,0	3.3
NGE882LBP-M-K1200					304,8	12			5,9	3.9

Standard length: 40 pitches (5 ft. - 1,524 m)

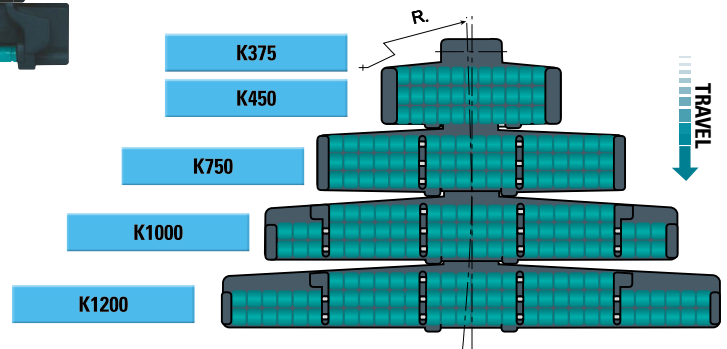
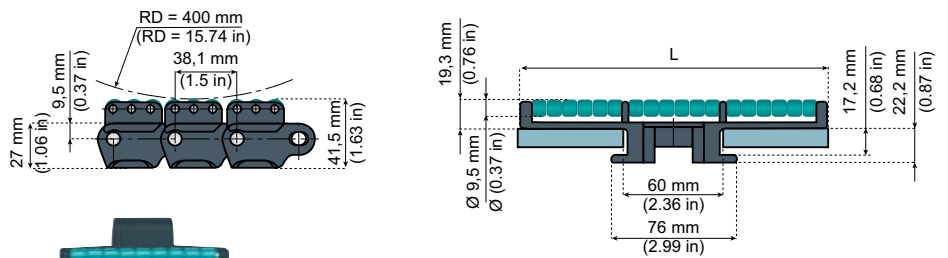
Breaking load according to standard ISO 4348 - DIN 8153

LBP 882 TAB

SIDEFLEXING CHAINS WITH LOW NOISE ACCUMULATION ROLLERS

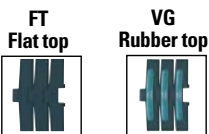


New
NG
evo



NG® evo conveyor components made from engineered plastic resin
 Longer wearlife than acetal
 Lower friction than acetal
 Good chemical resistance
 High abrasion resistance
 It meets the requirement for materials as stated by EC1935/2004 and FDA CFR21 norms for direct food contact
 Less dust than with acetal chains
 More.....

Other versions 882 TAB:



11300a **50140a**

ITEM DESCRIPTION	MATERIAL		BREAKING LOAD		WIDTH L		R MIN.		WEIGHT	
	PLATE	ROLLER	N	lbs	mm	in	mm	in	Kg/m	lbs/ft.
NGE882LBP-TAB-K375	NGE Grey Blue	POM Water blue	9000	2000	95,3	3 ¾	610	24.01	3,3	2.2
NGE882LBP-TAB-K450					114,3	4 ½			4,0	2.7
NGE882LBP-TAB-K750					190,5	7 ½			4,7	3.2
NGE882LBP-TAB-K1000					254,0	10			5,9	4.0
NGE882LBP-TAB-K1200					304,8	12			6,5	4.4

Standard length: 40 pitches (5 ft. - 1,524 m)

Breaking load according to standard ISO 4348 - DIN 8153

Chains & sprockets	Wear strips	Side guide brackets & accessories	Levelers	Engineering manual
Modular belts & sprockets	Chain & belt return systems	Frame & structure supports	Bearing supports	
Curves & tracks	Side guide solutions	Miscellaneous products	Equipment	

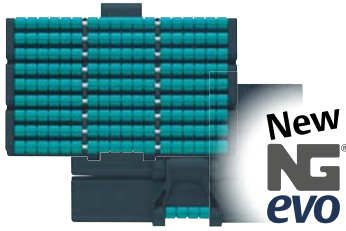


11370a

LBP 8257

www.SystemPlastSmartGuide.com

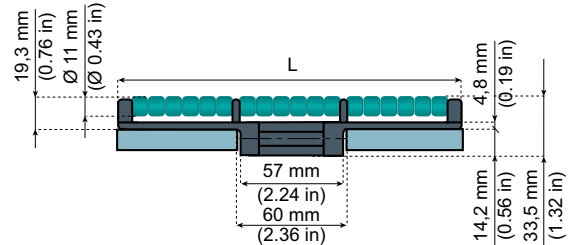
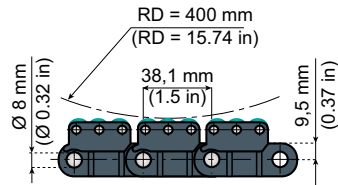
HEAVY DUTY SINGLE HINGE STRAIGHT RUNNING CHAINS WITH LOW NOISE ACCUMULATION ROLLERS



NG® evo conveyor components made from engineered plastic resin

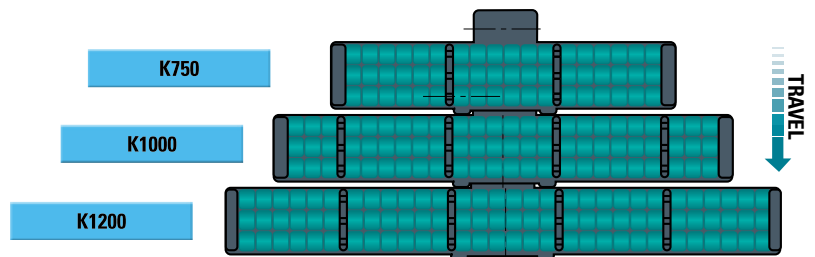
- Longer wearlife than acetal
- Lower friction than acetal
- Good chemical resistance
- High abrasion resistance

It meets the requirement for materials as stated by EC1935/2004 and FDA CFR21 norms for direct food contact
Less dust than with acetal chains
More.....



Other versions 821:

FT Flat top **VG Rubber top**



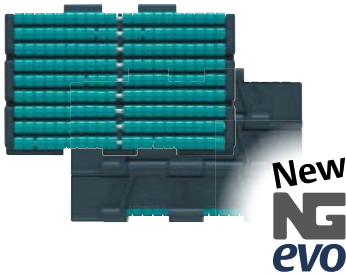
ITEM DESCRIPTION	MATERIAL		BREAKING LOAD N		WIDTH L		WEIGHT	
	PLATE	ROLLER	N	lbs	mm	in	Kg/m	lbs/ft.
NGE8257LBP-K750	NGE Grey Blue	POM Water blue	9000	2000	190,5	7 ½	5,7	4.5
NGE8257LBP-K1000					254,0	10	7,2	4.8
NGE8257LBP-K1200					304,8	12	8,1	5.4

Standard length: 40 pitches (5 ft. - 1,524 m)

Breaking load according to standard ISO 4348 - DIN 8153

LBP 821

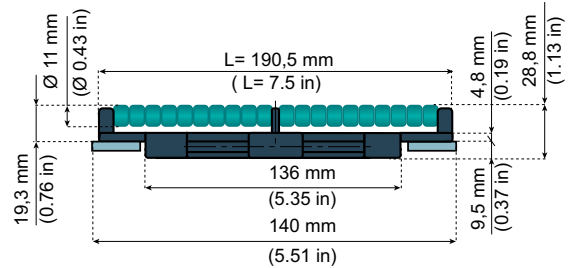
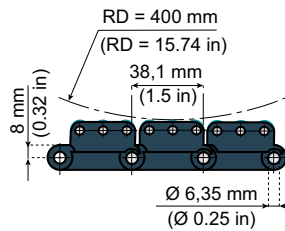
DOUBLE HINGE STRAIGHT RUNNING CHAINS WITH LOW NOISE ACCUMULATION ROLLERS



Advantages:

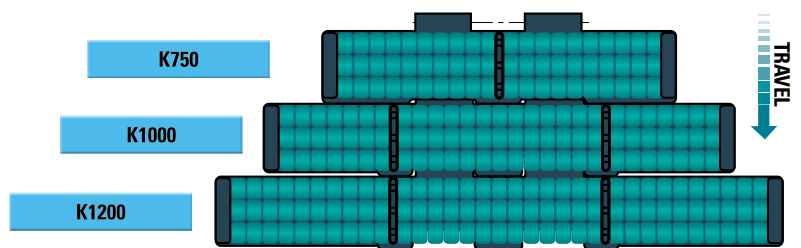
- High breaking load
- Rollers manufactured in low friction and low noise material: reduced back-line pressure and low noise level

Pin material: Austenitic steel



Other versions 821:

FT Flat top **VG Rubber top**



ITEM DESCRIPTION	MATERIAL		BREAKING LOAD N		WIDTH L		WEIGHT	
	PLATE	ROLLER	N	lbs	mm	in	Kg/m	lbs/ft.
NGE821LBP-K750	NGE Grey Blue	POM Water blue	7500	1650	190,5	7 ½	5,5	3.7
NGE821LBP-K1000					254,0	10	6,9	4.6
NGE821LBP-K1200					304,8	12	8,0	5.4

Standard length: 40 pitches (5 ft. - 1,524 m)

Breaking load according to standard ISO 4348 - DIN 8153

Chains & sprockets	Wear strips	Side guide brackets & accessories	Levelers	Engineering manual
Modular belts & sprockets	Chain & belt return systems	Frame & structure supports	Bearing supports	
Curves & tracks	Side guide solutions	Miscellaneous products	Equipment	

11380a

831 VG

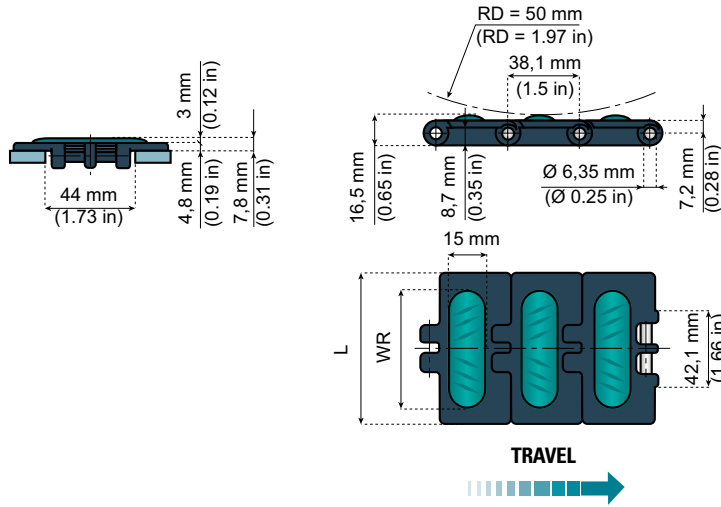
www.SystemPlastSmartGuide.com

STRAIGHT RUNNING CHAINS WITH HIGH FRICTION SURFACE



NG® evo conveyor components made from engineered plastic resin

- Longer wearlife than acetal
- Lower friction than acetal
- Good chemical resistance
- High abrasion resistance
- It meets the requirement for materials as stated by EC1935/2004 and FDA CFR21 norms for direct food contact
- Less dust than with acetal chains
- More.....



Other versions 831:

FT
Flat top



LBP
(low pressure)



Pin material: Austenitic steel

ITEM DESCRIPTION	MATERIAL		BREAKING LOAD		WIDTH L		WIDTH WR		WEIGHT	
	PLATE	RUBBER	N	lbs	mm	in	mm	in	Kg/m	lbs/ft.
NGE831-K325VG	NGE Grey Blue	TPR Water blue 70 shore A	3600	800	82,5	3 ¼	60	2.36	1,4	0.9

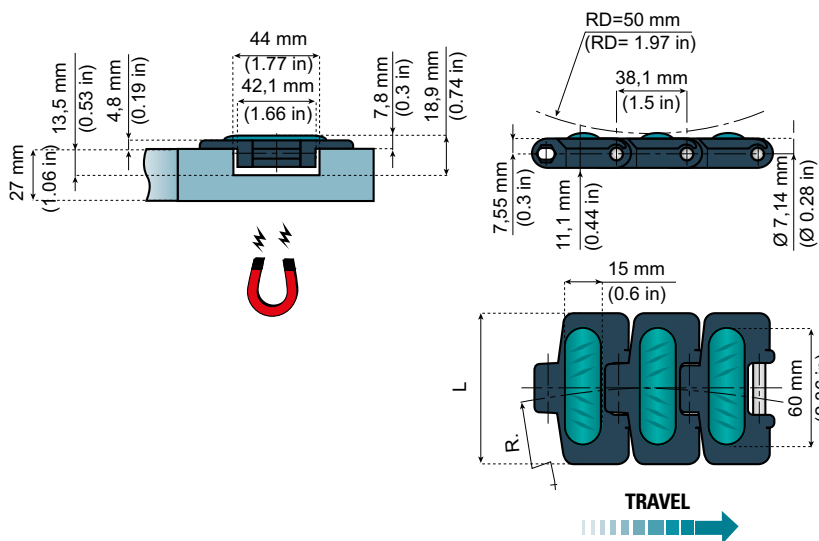
879 M VG

SIDEFLEXING CHAINS WITH HIGH FRICTION SURFACE FOR MAGNETIC CURVES



NG® evo conveyor components made from engineered plastic resin

- Longer wearlife than acetal
- Lower friction than acetal
- Good chemical resistance
- High abrasion resistance
- It meets the requirement for materials as stated by EC1935/2004 and FDA CFR21 norms for direct food contact
- Less dust than with acetal chains
- More.....



Information about this product is only available on our Smart Guide® website.

Other versions 879 M:

FT
Flat top



LBP
(low pressure)



- Advantages:**
- One conveyor construction
 - Easy to clean
 - Hygienic concept
 - Easy maintenance

ITEM DESCRIPTION	MATERIAL		BREAKING LOAD		WIDTH L		R		WEIGHT	
	PLATE	RUBBER	N	lbs	mm	in	mm	in	Kg/m	lbs/ft.
NGE879M-K325VG	NGE Grey Blue	TPR Water blue 70 shore A	4700	1040	82,5	3 ¼	500	19.7	1,2	0.8

Chains & sprockets	Wear strips	Side guide brackets & accessories	Levelers	Engineering manual
Modular belts & sprockets	Chain & belt return systems	Frame & structure supports	Bearing supports	
Curves & tracks	Side guide solutions	Miscellaneous products	Equipment	

1 1 3 9 0 a

878 TAB VG - 879 TAB VG

SIDEFLEXING CHAINS WITH HIGH FRICTION SURFACE



NG® evo conveyor components
made from engineered plastic resin
 Longer wearlife than acetal
 Lower friction than acetal
 Good chemical resistance
 High abrasion resistance
 It meets the requirement for materials as stated by EC1935/2004 and FDA CFR21 norms for direct food contact
 Less dust than with acetal chains
 More.....

Characteristics:

Turning disks can be used, as the chain is designed to turn around a very small curve radius.

Pin material: Austenitic steel



For Drive Disks, go to

1 1 2 7 0 a

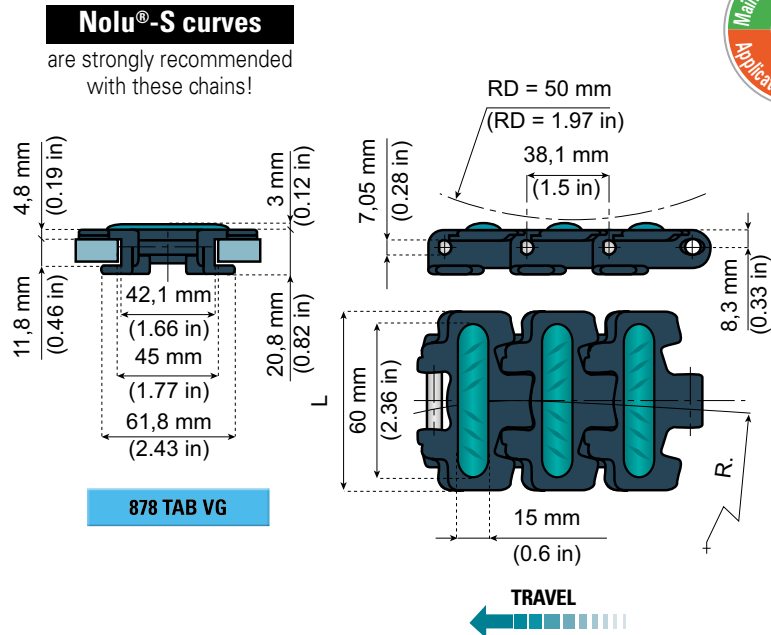


See also the sprockets and idler wheels:

1 1 2 6 0 a



5 0 1 1 0 a



878 TAB VG

Other versions 878 TAB:

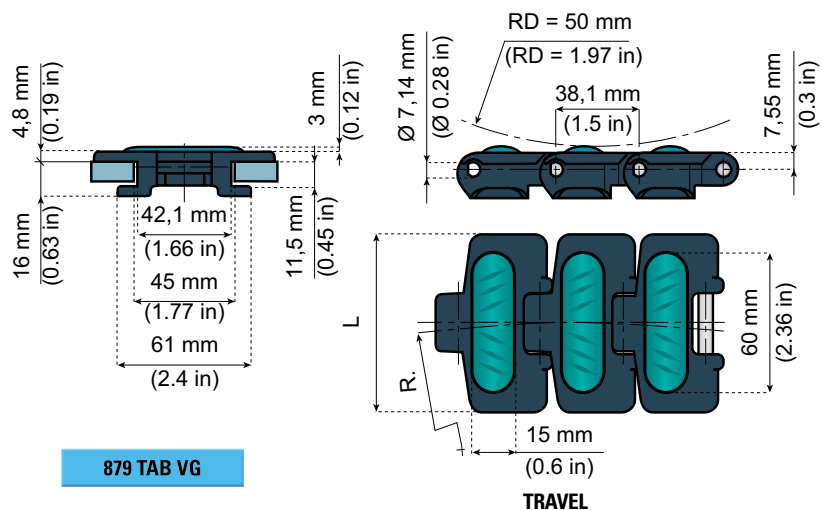
FT Flat top	GS Gripper	LBP (low pressure)

ITEM DESCRIPTION	MATERIAL		BREAKING LOAD		WIDTH L		R MIN.		WEIGHT	
	PLATE	RUBBER	N	lbs	mm	in	mm	in	Kg/m	lbs/ft.
NGE878TAB-K325VG	NGE Grey Blue	TPR Water blue 70 shore A	4500	1000	82,5	3 ¼	190	7.5	1,08	0.73



NG® evo conveyor components
made from engineered plastic resin
 Longer wearlife than acetal
 Lower friction than acetal
 Good chemical resistance
 High abrasion resistance
 It meets the requirement for materials as stated by EC1935/2004 and FDA CFR21 norms for direct food contact
 Less dust than with acetal chains
 More.....

Pin material: Austenitic steel



879 TAB VG

Other versions 879 / 880 TAB:

FT Flat top	FT Vacuum

ITEM DESCRIPTION	MATERIAL		BREAKING LOAD		WIDTH L		R MIN.		WEIGHT	
	PLATE	RUBBER	N	lbs	mm	in	mm	in	Kg/m	lbs/ft.
NGE879TAB-K325VG	NGE Grey Blue	TPR Water blue 70 shore A	4500	1000	82,5	3 ¼	500	19.7	1,05	0.7
NGE879TAB-K450VG					114,3	4 ½			1,25	0.84

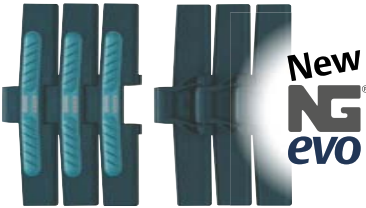
Chains & sprockets	Wear strips	Side guide brackets & accessories	Levelers	Engineering manual
Modular belts & sprockets	Chain & belt return systems	Frame & structure supports	Bearing supports	
Curves & tracks	Side guide solutions	Miscellaneous products	Equipment	

11400a

882 M VG

www.SystemPlastSmartGuide.com

SIDEFLEXING CHAINS WITH HIGH FRICTION SURFACE FOR MAGNETIC CURVES



NG® evo conveyor components made from engineered plastic resin
 Longer wearlife than acetal
 Lower friction than acetal
 Good chemical resistance
 High abrasion resistance
 It meets the requirement for materials as stated by EC1935/2004 and FDA CFR21 norms for direct food contact
 Less dust than with acetal chains
 More.....

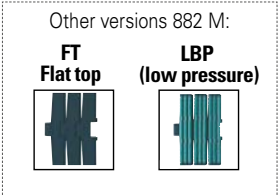
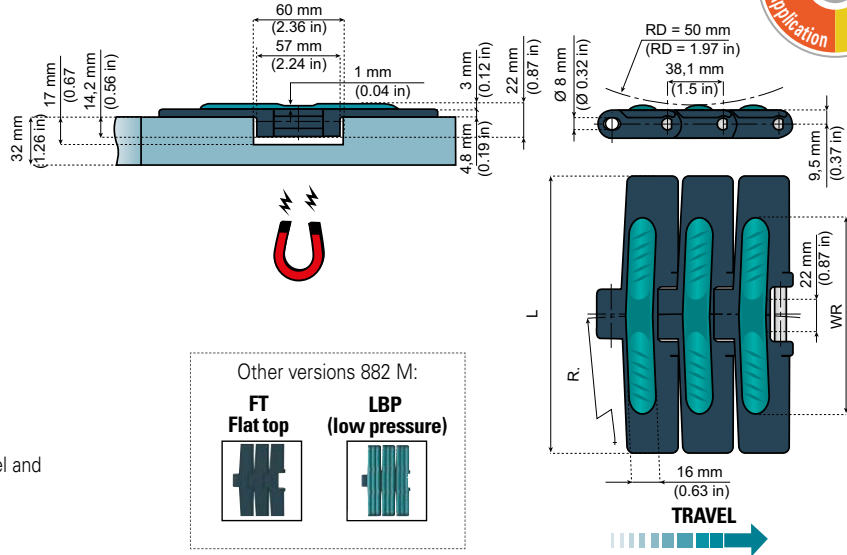
Advantages:

- High breaking load
- Helps standardising your conveyor constructions
- Same hinge width available in many chain types, both steel and plastic, also LBP chains and flat top chains

Note:

Plastic magnetic system chains do not have tabs or bevels; it is the Stainless Steel pin in the chain which is attracted by the magnets embedded in the curve.

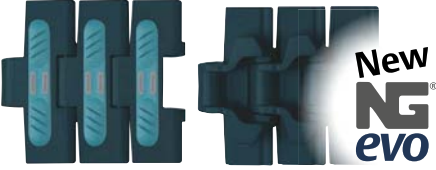
Pin material: Ferritic Stainless Steel



ITEM DESCRIPTION	MATERIAL		BREAKING LOAD		WIDTH L		WIDTH WR		R MIN.		WEIGHT	
	PLATE	RUBBER	N	lbs	mm	in	mm	in	mm	in	Kg/m	lbs/ft.
NGE882M-K750VG	NGE Grey Blue	TPR Water blue 70 shore A	8100	2600	190,5	7 ½	134	5 ⅞	610	24.01	2,1	1.4
NGE882M-K1000VG					254,0	10	192	7 ½			2,5	1.6
NGE882M-K1200VG					304,8	12	252	9			2,8	1.9

882 TAB VG

SIDEFLEXING CHAINS WITH HIGH FRICTION SURFACE



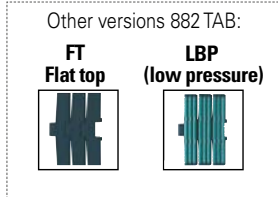
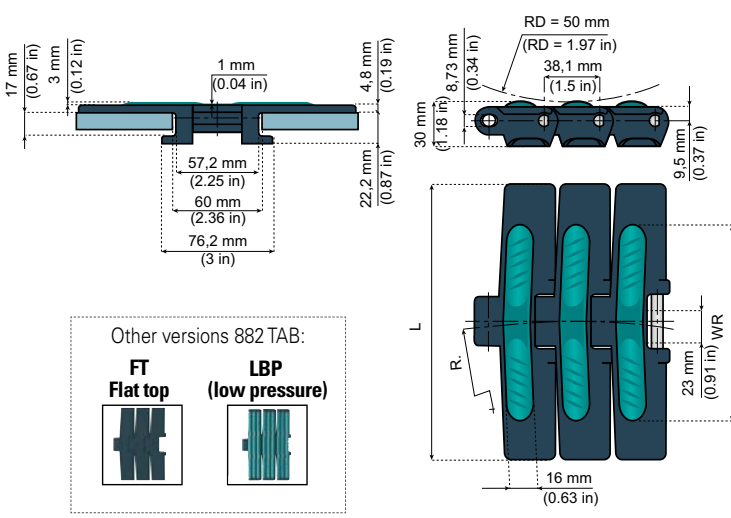
NG® evo conveyor components made from engineered plastic resin
 Longer wearlife than acetal
 Lower friction than acetal
 Good chemical resistance
 High abrasion resistance
 It meets the requirement for materials as stated by EC1935/2004 and FDA CFR21 norms for direct food contact
 Less dust than with acetal chains
 More.....

Advantages:

- High breaking load
- This chain is particularly suitable where heavier and larger products are conveyed.

Pin material: Austenitic steel

Information about this product is only available on our Smart Guide® website.



ITEM DESCRIPTION	MATERIAL		BREAKING LOAD		WIDTH L		WIDTH WR		R MIN.		WEIGHT	
	PLATE	RUBBER	N	lbs	mm	in	mm	in	mm	in	Kg/m	lbs/ft.
NGE882TAB-K750VG	NGE Grey Blue	TPR Water blue 70 shore A	8100	2600	190,5	7 ½	134	5 5/16	610	24.01	2,4	1.6
NGE882TAB-K1000VG					254,0	10	192	7 ½			2,7	1.8
NGE882TAB-K1200VG					304,8	12	252	10			2,9	2.0

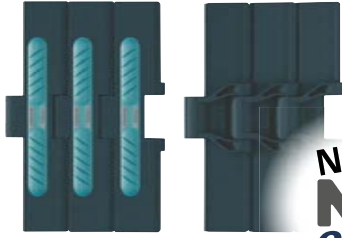
Chains & sprockets	Wear strips	Side guide brackets & accessories	Levelers	Engineering manual
Modular belts & sprockets	Chain & belt return systems	Frame & structure supports	Bearing supports	
Curves & tracks	Side guide solutions	Miscellaneous products	Equipment	

11410a

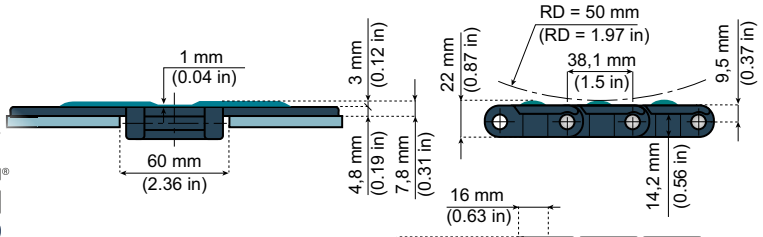
8257 VG

www.SystemPlastSmartGuide.com

STRAIGHT RUNNING CHAINS WITH HIGH FRICTION SURFACE



New
NG evo



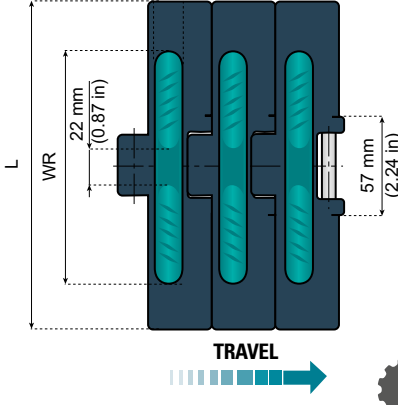
NG® evo conveyor components made from engineered plastic resin
 Longer wearlife than acetal
 Lower friction than acetal
 Good chemical resistance
 High abrasion resistance
 It meets the requirement for materials as stated by EC1935/2004 and FDA CFR21 norms for direct food contact
 Less dust than with acetal chains
 More.....

Characteristics:

- The return section of the conveyor can be constructed using standard wearstrips or return rollers to support the chain on its return.

Advantages:

- High strength
- Helps standardising your conveyor constructions
- Same hinge width available in many chain types, both steel and plastic, also LBP chains and Flat Top chains **Pin material:** Austenitic steel



Other versions 8257:

FT
Flat top



LBP
(low pressure)



11300a

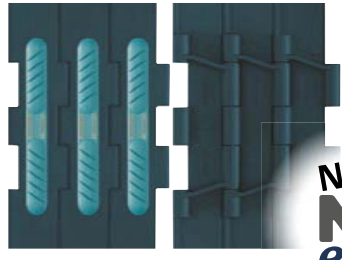
ITEM DESCRIPTION	MATERIAL		BREAKING LOAD		WIDTH L		WIDTH WR		WEIGHT	
	PLATE	RUBBER	N	lbs	mm	in	mm	in	Kg/m	lbs/ft.
NGE8257-K450VG	NGE Grey Blue	TPR Water blue 70 shore A	8100	2600	114,3	4 ½	90	3 ½	2,0	1.3
NGE8257-K750VG					190,5	7 ½	134	5 5/16	2,3	1.5
NGE8257-K1000VG					254,0	10	192	7 ½	2,6	1.7
NGE8257-K1200VG					304,8	12	252	10	3,0	2.0

Standard length: 80 pitches (10 ft. - 3,048 m)

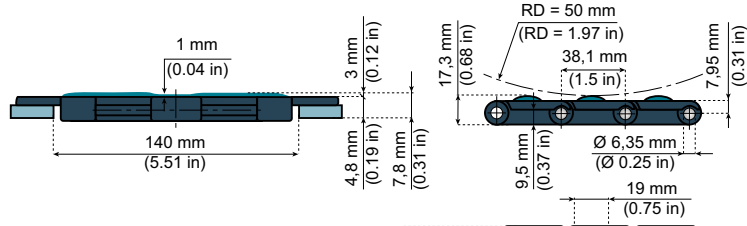
Breaking load according to standard ISO 4348 - DIN 8153

821 VG

STRAIGHT RUNNING CHAINS WITH HIGH FRICTION SURFACE



New
NG evo



NG® evo conveyor components made from engineered plastic resin
 Longer wearlife than acetal
 Lower friction than acetal
 Good chemical resistance
 High abrasion resistance
 It meets the requirement for materials as stated by EC1935/2004 and FDA CFR21 norms for direct food contact
 Less dust than with acetal chains
 More.....

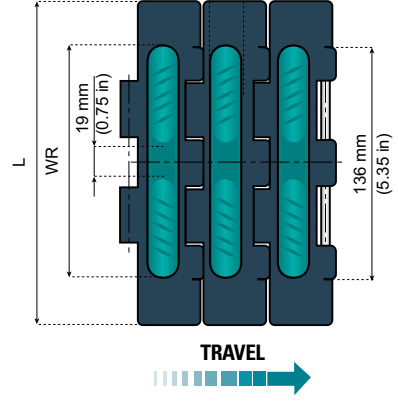
Characteristics:

- The return section of the conveyor can be constructed using standard wearstrips or return rollers to support the chain on its return.

Advantages:

- High breaking load.
- Heavy duty

Pin material: Austenitic steel



Other versions 821:

FT
Flat top



LBP
(low pressure)



11320a

ITEM DESCRIPTION	MATERIAL		BREAKING LOAD		WIDTH L		WIDTH WR		WEIGHT	
	PLATE	RUBBER	N	lbs	mm	in	mm	in	Kg/m	lbs/ft.
NGE821-K750VG	NGE Grey Blue	TPR Water blue 70 shore A	7000	1550	190,5	7 ½	134	5 5/16	2,7	1.8
NGE821-K1000VG					254,0	10	192	7 ½	3,4	2.2
NGE821-K1200VG					304,8	12	252	10	3,8	2.5

Chains & sprockets	Wear strips	Side guide brackets & accessories	Levelers	Engineering manual
Modular belts & sprockets	Chain & belt return systems	Frame & structure supports	Bearing supports	
Curves & tracks	Side guide solutions	Miscellaneous products	Equipment	

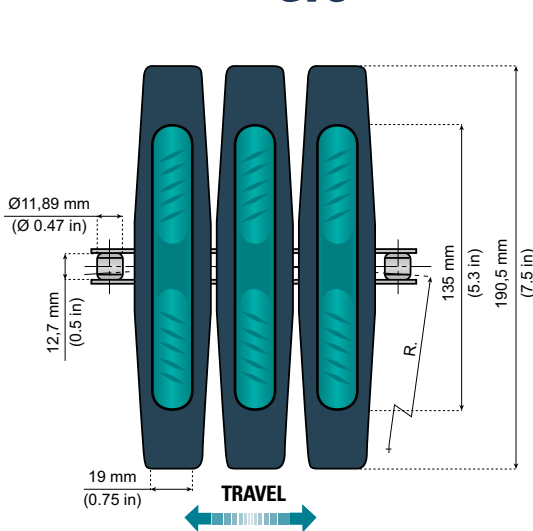


11420a

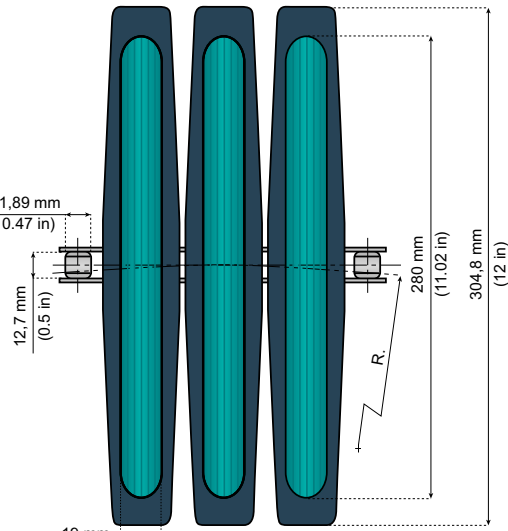
1873 VG

www.SystemPlastSmartGuide.com

SIDEFLEXING PLATE TOP CHAINS WITH HIGH FRICTION SURFACE



K 750

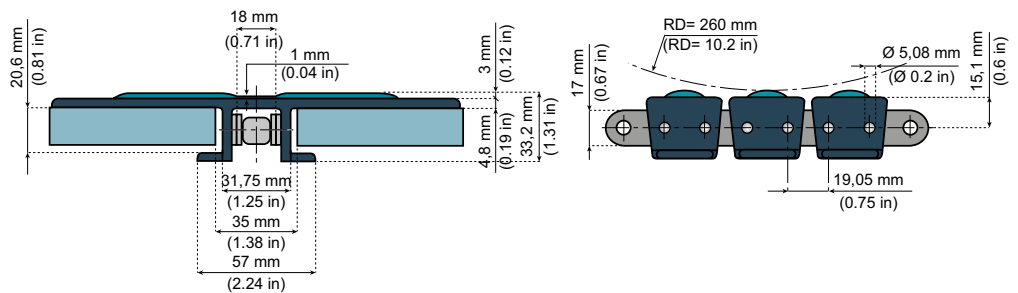


K 1200

Other versions 1873 TAB:

- FT Flat top**
- GS Gripper**
- VG Neck Sterilizer**

Nolu®-S curves are strongly recommended with these chains!



Advantages:

- High speed
- Very high loads
- Long conveyors
- Easy maintenance
- Flights removable
- Low noise
- No chain elongation

NG® evo conveyor components made from engineered plastic resin

Longer wearlife than acetal
 Lower friction than acetal
 Good chemical resistance
 High abrasion resistance
 It meets the requirement for materials as stated by EC1935/2004 and FDA CFR21 norms for direct food contact
 Less dust than with acetal chains
 More.....

Note:

ANSI 60 roller chain

50160a

ITEM DESCRIPTION	MATERIAL		BREAKING LOAD		WIDTH L		R MIN.		WEIGHT		
	ROLLER CHAINS	PLATE	RUBBER	N	lbs	mm	in	mm	in	Kg/m	lbs/ft.
NGE1873TAB-K750VG	C45	NGE Grey Blue	TPR Water blue 70 shore A	27000	6080	190,5	7 ½	500	19.7	2,6	1.7
NGE1873SS-TAB-K750VG	Austenitic			21000	4730						
NGE1873TAB-K1200VG	C45			27000	6080	304,8	12	610	24.01	3,8	2.6
NGE1873SS-TAB-K1200VG	Austenitic			21000	4730						

Standard length: 80 pitches (10 ft. - 3,048 m)

Breaking load according to standard ISO 4348 - DIN 8153

Chains & sprockets	Wear strips	Side guide brackets & accessories	Levelers	Engineering manual
Modular belts & sprockets	Chain & belt return systems	Frame & structure supports	Bearing supports	
Curves & tracks	Side guide solutions	Miscellaneous products	Equipment	

1 1 4 2 5 a

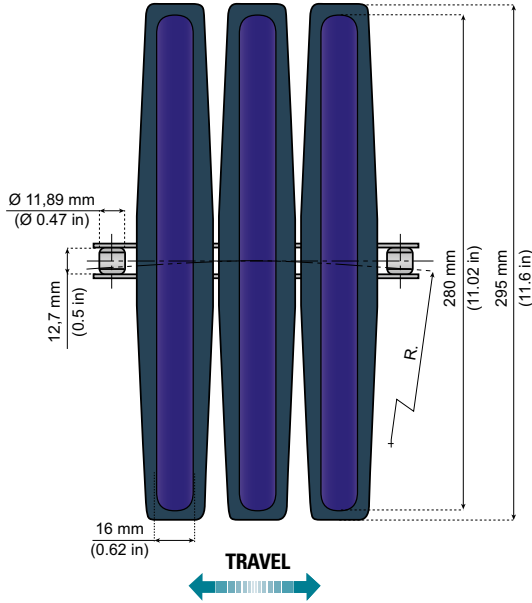
1873 TAB VG – NECK STERILIZER AND TWISTER CHAIN

SIDEFLEXING PLATE TOP CHAINS WITH HIGH FRICTION SURFACE

www.SystemPlastSmartGuide.com



NG® *evo* conveyor components
made from engineered plastic resin
 Longer wearlife than acetal
 Lower friction than acetal
 Good chemical resistance
 High abrasion resistance
 It meets the requirement for materials as stated by EC1935/2004 and FDA CFR21 norms for direct food contact
 Less dust than with acetal chains
 More.....



Other versions

1873 TAB:

FT
Flat top



GS
Gripper

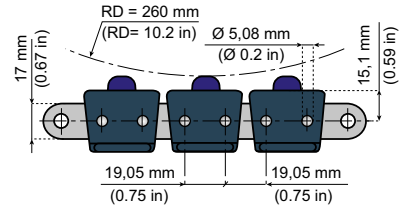
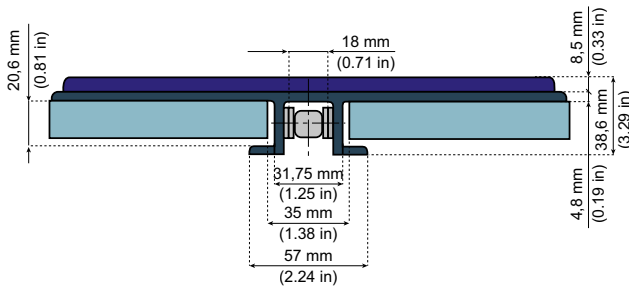


VG
Rubber top



Advantages:

- High speed
- Very high loads
- Longer conveyors
- Easy maintenance
- Removable flights
- Lower noise
- No chain elongation
- The special design allows for gentle bottling handling while avoiding extra pressure on the product, preventing bottle distortion
- The design of the rubber top provides stable support for the bottle
- Flexibility of the chain for compact design if required
- Special heat resistant rubber, 85 Shore A
- Plate in low-friction NGE material
- Flexible base chain, can twist 90° in 1500 mm (60-in)
- Metal base chain provides increased strength



Application Example:



Note:
ANSI 60 roller chain.

5 0 1 6 0 a

ITEM DESCRIPTION	MATERIAL			BREAKING LOAD		WIDTH L		WIDTH WR		R MIN.		WEIGHT	
	ROLLER CHAINS	PLATE	RUBBER	N	lbs	mm	in	mm	in	mm	in	Kg/m	lbs/ft.
NGE1873SS-TAB-K750VG85H8.5	Austenitic	NGE Grey Blue	TPR Water blue 85 shore A	21000	4730	190,5	7.5	186,5	7.4	500	19.7	3.6	2.4
NGE1873SS-TAB-K1161VG85H8.5						295	11.6	280	11.02	610	24.01	4,3	2.9

Standard length: 160 pitches (10 ft. - 3,048 m) - 80 Flights

Breaking load according to standard ISO 4348 - DIN 8153

Chains & sprockets	Wear strips	Side guide brackets & accessories	Levelers	Engineering manual
Modular belts & sprockets	Chain & belt return systems	Frame & structure supports	Bearing supports	
Curves & tracks	Side guide solutions	Miscellaneous products	Equipment	

1 1 4 3 0 a

878 TAB GS - NGE MATERIAL

SIDEFLEXING PLASTIC CHAINS WITH SNAP ON GRIPPER

www.SystemPlastSmartGuide.com



continue ▶



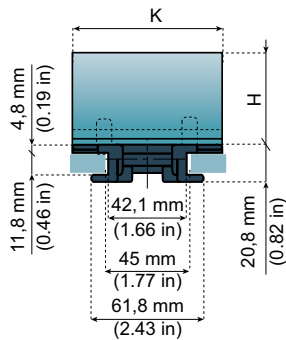
NG® evo conveyor components made from engineered plastic resin
 Longer wearlife than acetal
 Lower friction than acetal
 Good chemical resistance
 High abrasion resistance
 It meets the requirement for materials as stated by EC1935/2004 and FDA CFR21 norms for direct food contact
 Less dust than with acetal chains
 More.....

Advantages:

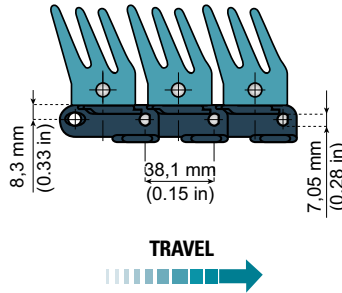
- Exceptional durability.
- Optimum performance.
- Extremely low noise level.
- Removable gripper.
- Rubber top with high resistance.

Note:

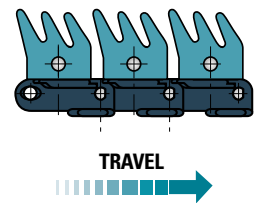
- Not suitable with oils.
- **Grippers are not food contact certified.**



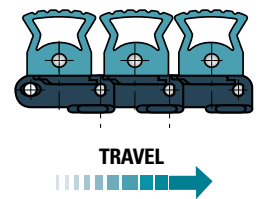
GS 1



GS 2



GS 4



Nolu®-S curves are strongly recommended with these chains!

NOW AVAILABLE IN CHEMICAL RESISTANT MATERIAL

1 1 2 6 0 a
5 0 1 1 0 a

ITEM DESCRIPTION		K		H		MATERIAL		R MIN.		WEIGHT	
CHAINS	KIT RUBBER + PIN	mm	in	mm	in	PLATE	GRIPPER	mm	in	Kg/m	lbs/ft.
NGE878TAB-K325GS1	GRPN-K325-GS1-TPR	82	3.23	41	1.61	NGE Grey Blue	THERMO-PLASTIC	210	8.27	4,7	3.1
NGE878TAB-K325GS2	GRPN-K325-GS2-TPR	82	3.23	35	1.38	NGE Grey Blue	THERMO-PLASTIC	225	8.9	4,1	2.7
NGE878TAB-K325GS4	GRPN-K325-GS4-TPR	82	3.23	33	1.30	NGE Grey Blue	THERMO-PLASTIC	250	9.84	4,1	2.8

Standard length: 80 pitches (10 ft. - 3,048 m)

Breaking load according to standard ISO 4348 - DIN 8153

For loose rubber grippers, go to:

1 1 4 4 0 a

Other versions 878 TAB:

FT Flat top **VG Rubber top** **LBP (low pressure)**

continue ▶

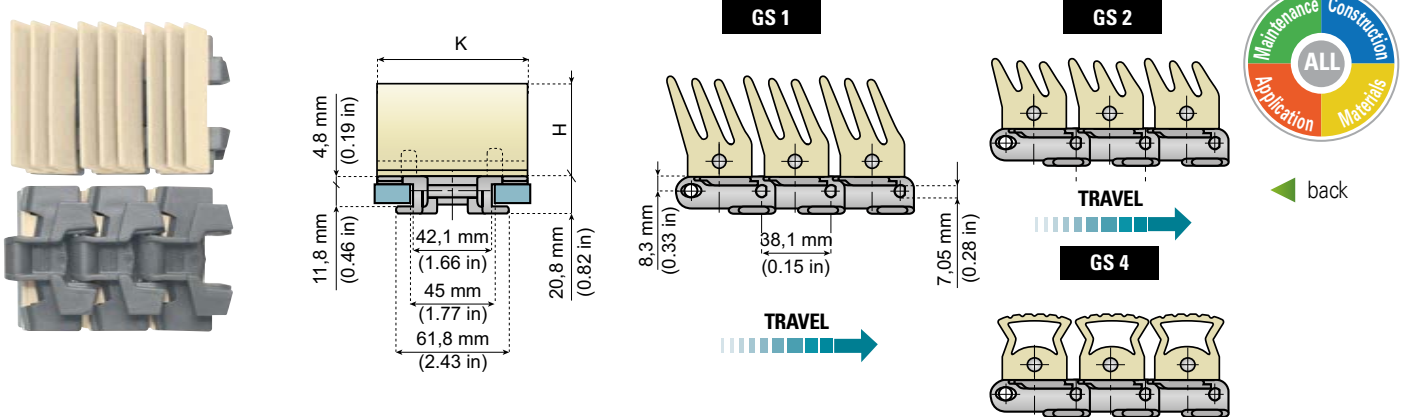
Chains & sprockets	Wear strips	Side guide brackets & accessories	Levelers	Engineering manual
Modular belts & sprockets	Chain & belt return systems	Frame & structure supports	Bearing supports	
Curves & tracks	Side guide solutions	Miscellaneous products	Equipment	

1 1 4 3 0 b

878 TAB GS - PP MATERIAL

www.SystemPlastSmartGuide.com

SIDEFLEXING PLASTIC CHAINS WITH SNAP ON GRIPPER



back

For loose EPDM-PP grippers, go to:

1 1 4 4 0 b

1 1 2 6 0 a **5 0 1 1 0 a**



Information about this product is only available on our Smart Guide® website.

ITEM DESCRIPTION	K		H		MATERIAL		R MIN.		WEIGHT	
	mm	in	mm	in	PLATE	GRIPPER	mm	in	Kg/m	lbs/ft.
PP878TAB-K325GS1	82	3.23	41	1.61	PP Grey	EPDM - PP beige	210	8.27	4,7	3.1
PP878TAB-K325GS2	82	3.23	35	1.38	PP Grey	EPDM - PP beige	225	8.86	4,1	2.7
PP878TAB-K325GS4	82	3.23	33	1.30	PP Grey	EPDM - PP beige	250	9.84	4,1	2.8

Standard length: 80 pitches (10 ft. - 3,048 m)

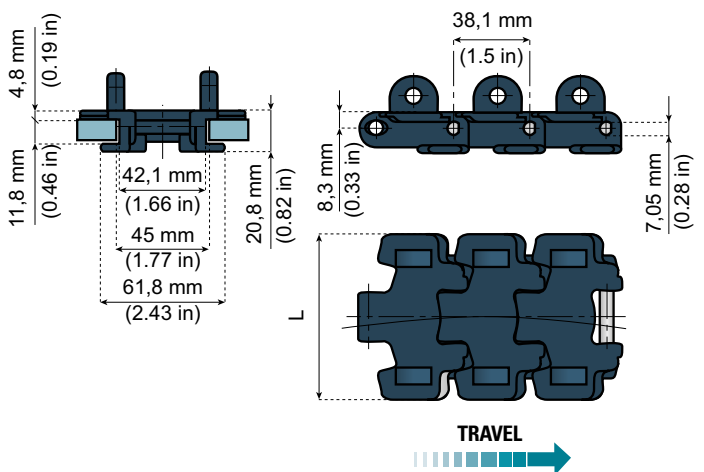
Breaking load according to standard ISO 4348 - DIN 8153

878 TAB GS - NGE & PP MATERIAL

SIDEFLEXING PLASTIC PLATE TOP BASE CHAINS



NOW AVAILABLE IN CHEMICAL RESISTANT MATERIAL



Advantages:

- Exceptional durability.
- Optimum performance.
- Extremely low noise level.
- Removable gripper.
- Rubber top with high resistance.

Note:

- Not suitable with oils.
- Grippers are not food contact certified.

NG® evo conveyor components made from engineered plastic resin

Longer wearlife than acetal
Lower friction than acetal
Good chemical resistance
High abrasion resistance
It meets the requirement for materials as stated by EC1935/2004 and FDA CFR21 norms for direct food contact
Less dust than with acetal chains
More.....

Nolu®-S curves

are strongly recommended with these chains!



1 1 2 6 0 a

ITEM DESCRIPTION	MATERIAL	BREAKING LOAD		WIDTH L		WEIGHT	
		N	lbs	mm	in	Kg/m	lbs/ft.
NGE878TAB-K325GS	NGE Grey Blue	5400	1200	82,5	3 ¼	0,9	0.6
PP878TAB-K325GS	PP Grey	5400	1200	82,5	3 ¼	0,9	0.6

Standard length: 80 pitches (10 ft. - 3,048 m)

Breaking load according to standard ISO 4348 - DIN 8153

back



Chains & sprockets	Wear strips	Side guide brackets & accessories	Levelers	Engineering manual
Modular belts & sprockets	Chain & belt return systems	Frame & structure supports	Bearing supports	
Curves & tracks	Side guide solutions	Miscellaneous products	Equipment	

11440a

www.SystemPlastSmartGuide.com

1873 TAB GS - NGE MATERIAL

SIDEFLEXING PLATE TOP CHAINS WITH SNAP ON GRIPPER



New
NG
evo

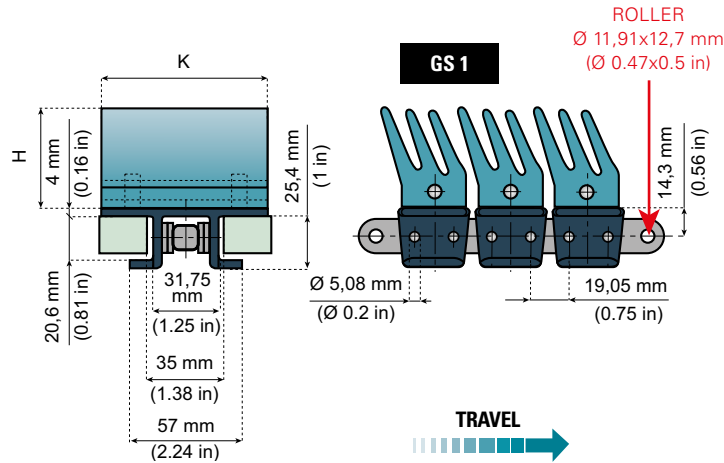
NG® evo conveyor components
made from engineered plastic resin

- Longer wearlife than acetal
- Lower friction than acetal
- Good chemical resistance
- High abrasion resistance

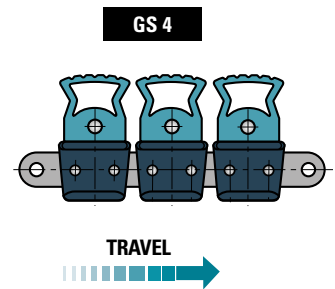
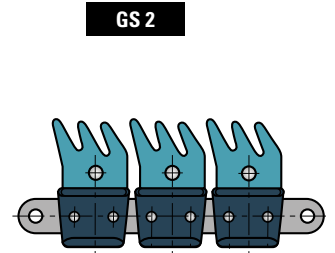
It meets the requirement for materials as stated by EC1935/2004 and FDA CFR21 norms for direct food contact

Less dust than with acetal chains

More.....



continue ▶



Note:

- ANSI 60 roller chain.
- Not suitable with oils.
- Grippers are not food contact certified.

50160a

ITEM DESCRIPTION			K		H		MATERIAL			WEIGHT	
CHAINS	KIT FLIGHT RUBBER + PIN	ONLY RUBBER	mm	in	mm	in	ROLLER CHAIN	PLATE	GRIPPER	Kg/m	lbs/ft.
NGE1873TAB-K325GS1	GRP-K-NGE1873TAB-K325GS1-TPR	GRP-K325-GS1-TPR	82	3.23	41	1.61	C45	NGE Grey Blue	THERMO-PLASTIC	4,7	3.1
NGE1873SS-TAB-K325GS1							Austenitic C45				
NGE1873TAB-K450GS1	GRP-K-NGE1873TAB-K450GS1-TPR	GRP-K450-GS1-TPR	114	4.5	35	1.38	C45	NGE Grey Blue	THERMO-PLASTIC	7,1	4.7
NGE1873SS-TAB-K450GS1							Austenitic C45				
NGE1873TAB-K325GS2	GRP-K-NGE1873TAB-K325GS2-TPR	GRP-K325-GS2-TPR	82	3.23	33	1.3	C45	NGE Grey Blue	THERMO-PLASTIC	4,2	2.8
NGE1873SS-TAB-K325GS2							Austenitic C45				
NGE1873TAB-K450GS2	GRP-K-NGE1873TAB-K450GS2-TPR	GRP-K450-GS2-TPR	114	4.5	33	1.3	C45	NGE Grey Blue	THERMO-PLASTIC	6,6	4.4
NGE1873SS-TAB-K450GS2							Austenitic C45				
NGE1873TAB-K325GS4	GRP-K-NGE1873TAB-K325GS4-TPR	GRP-K325-GS4-TPR	82	3.23	33	1.3	C45	NGE Grey Blue	THERMO-PLASTIC	4,2	2.8
NGE1873SS-TAB-K325GS4							Austenitic C45				
NGE1873TAB-K450GS4	GRP-K-NGE1873TAB-K450GS4-TPR	GRP-K450-GS4-TPR	114	4.5	33	1.3	C45	NGE Grey Blue	THERMO-PLASTIC	6,6	4.4
NGE1873SS-TAB-K450GS4							Austenitic C45				

Standard length: 160 pitches (10 ft. - 3,048 m) - 80 Flights

Breaking load according to standard ISO 4348 - DIN 8153

Also available into

LFG (GREY)
Low friction acetal resin

materials details:

73563a

Other versions 1873 TAB:

FT Flat top	VG Rubber top	VG Neck Sterilizer

continue ▶

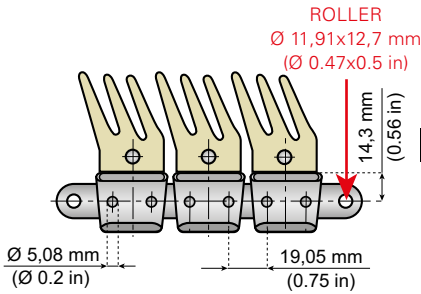
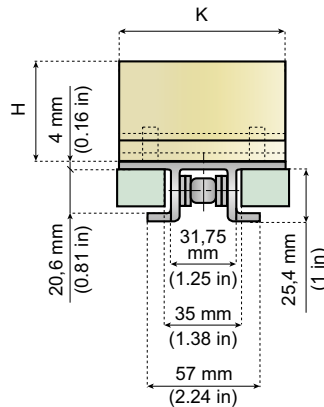
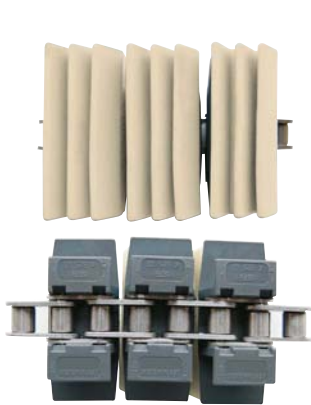
Chains & sprockets	Wear strips	Side guide brackets & accessories	Levelers	Engineering manual
Modular belts & sprockets	Chain & belt return systems	Frame & structure supports	Bearing supports	
Curves & tracks	Side guide solutions	Miscellaneous products	Equipment	

11440b

1873 TAB GS - PP MATERIAL

www.SystemPlastSmartGuide.com

SIDEFLEXING PLASTIC CHAINS WITH SNAP ON GRIPPER

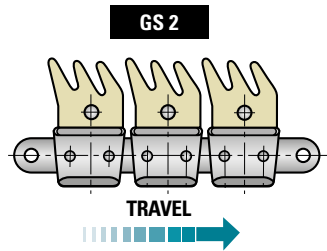


GS 1

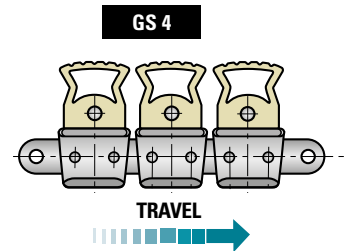


back

50160a



GS 2



GS 4

ITEM DESCRIPTION			K		H		MATERIAL			WEIGHT	
CHAINS	KIT FLIGHT RUBBER + PIN	ONLY RUBBER	mm	in	mm	in	ROLLER CHAIN	PLATE	Gripper	Kg/m	lbs/ft.
PP1873SS-TAB-K325GS1	GRP-K325GS1-EPDM	GRP-K325GS1-EPDM	82	3.23	41	1.61	Austenitic	PP Grey	EPDM - PP beige	4,7	3.1
PP1873SS-TAB-K450GS1	GRP-K450GS1-EPDM	GRP-K450GS1-EPDM	114	4.5						7,1	4.7
PP1873SS-TAB-K325GS2	GRP-K325GS2-EPDM	GRP-K325GS2-EPDM	82	3.23	35	1.38	Austenitic	PP Grey	EPDM - PP beige	4,1	2.7
PP1873SS-TAB-K450GS2	GRP-K450GS2-EPDM	GRP-K450GS2-EPDM	114	4.5						6,4	4.3
PP1873SS-TAB-K325GS4	GRP-K325GS4-EPDM	GRP-K325GS4-EPDM	82	3.23	33	1.3	Austenitic	PP Grey	EPDM - PP beige	4,2	2.8
PP1873SS-TAB-K450GS4	GRP-K450GS4-EPDM	GRP-K450GS4-EPDM	114	4.5						6,6	4.4

Standard length: 160 pitches (10 ft. - 3,048 m) - 80 Flights

Breaking load according to standard ISO 4348 - DIN 8153

1873 GS - NGE & PP MATERIAL

SIDEFLEXING PLASTIC PLATE TOP BASE ROLLER CHAINS (PITCH 3/4" - 19,05 MM) FOR SNAP ON GRIPPER



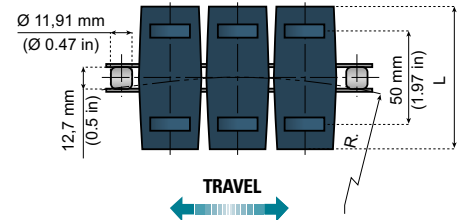
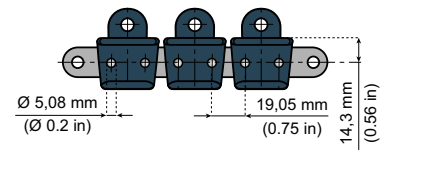
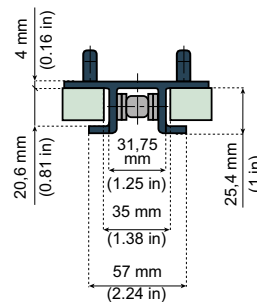
NG[®] *evo* conveyor components made from engineered plastic resin

Advantages:

- High wear resistance
- High speeds
- Exceptional durability
- Optimum performance
- Extremely low noise level
- Removable gripper
- Rubber top with high resistance
- Plastic snap-on links

Note:

- Not suitable with oils
- ANSI 60 roller chain
- **Grippers are not food contact certified.**



Nolu[®]-S curves

are strongly recommended with these chains!

NOW AVAILABLE IN CHEMICAL RESISTANT MATERIAL

ITEM DESCRIPTION	MATERIAL		BREAKING LOAD		WIDTH L		RMIN.		WEIGHT	
	ROLLER CHAIN	PLATE	N	lbs	mm	in	mm	in	Kg/m	lbs/ft.
NGE1873TAB-K325GS	C45	NGE Grey Blue	27000	6080	82,5	3 ¼	380	15	2,4	1.6
NGE1873SS-TAB-K325GS	Austenitic		21000	4730						
NGE1873TAB-K450GS	C45		27000	6080	114,3	4 ½			2,9	1.9
NGE1873SS-TAB-K450GS	Austenitic		21000	4730						
PP1873SS-TAB-K325GS	Austenitic	PP Grey	21000	4730	82,5	3 ¼	380	15	2,4	1.6
PP1873SS-TAB-K450GS					114,3	4 ½			2,9	1.9

Standard length: 160 pitches (10 ft. - 3,048 m) - 80 Flights

Breaking load according to standard ISO 4348 - DIN 8153

back

Chains & sprockets	Wear strips	Side guide brackets & accessories	Levelers	Engineering manual
Modular belts & sprockets	Chain & belt return systems	Frame & structure supports	Bearing supports	
Curves & tracks	Side guide solutions	Miscellaneous products	Equipment	

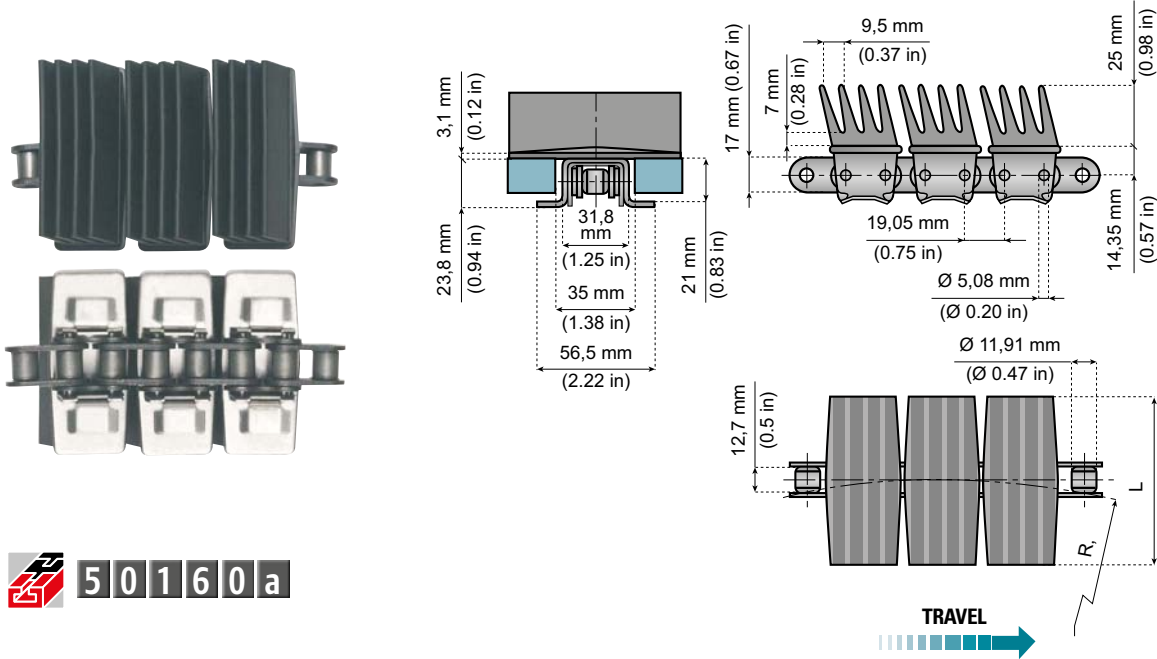


1 1 4 5 0 a

1874 GV

www.SystemPlastSmartGuide.com

SIDEFLEXING PLASTIC PLATE TOP CHAINS WITH SNAP ON GRIPPER



5 0 1 6 0 a

Application:

Elevating and lowering conveyors.

Characteristics:

Gripper pads are utilized for a wide range of applications due to their unique mechanical properties. They offer users high laceration and abrasion resistance, good resistance to deformation and excellent resistance to fatigue and heat.

Note:

ANSI 60 roller chain

ITEM DESCRIPTION	MATERIAL			BREAKING LOAD		WIDTH L		R MIN.		WEIGHT	
	ROLLER CHAIN	PLATE	RUBBER	N	lbs	mm	in	mm	in	Kg/m	lbs/ft.
1874A-TAB-K325GV	C45	Austenitic	NBR	27000	6080	82,5	3 ¼	380	15	5,8	3.9
1874SS-TAB-K325GV	Austenitic			21000	4730						
1874SS-TAB-K325GVE	Austenitic		EPDM	21000	4730						

Standard length: 160 pitches (10 ft. - 3,048 m) - 80 Flights

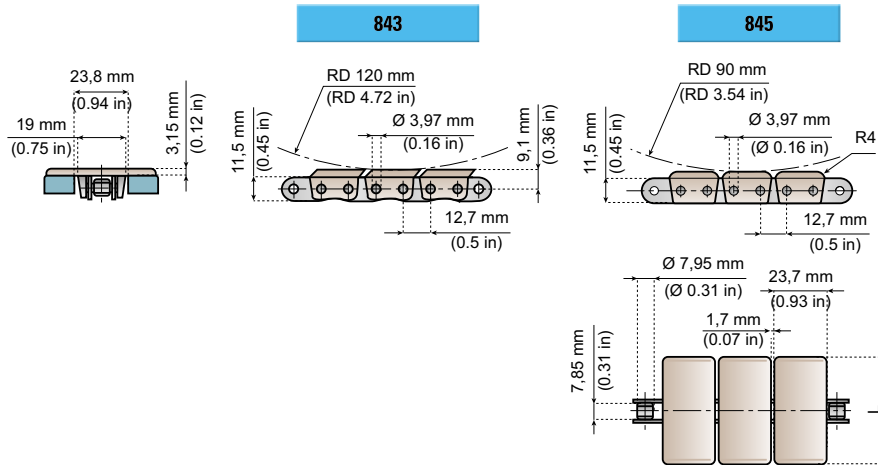
Chains & sprockets	Wear strips	Side guide brackets & accessories	Levelers	Engineering manual
Modular belts & sprockets	Chain & belt return systems	Frame & structure supports	Bearing supports	
Curves & tracks	Side guide solutions	Miscellaneous products	Equipment	

11460a

843 - 845

www.SystemPlastSmartGuide.com

STRAIGHT RUNNING PLATE TOP CHAINS WITH BASE ROLLER (PITCH 1/2" - 12,7 mm)



Advantages:

- High speed
- Low noise
- Small pitch
- Reduced chordal effect
- Reduced sprocket diameter
- Easy maintenance
- Plastic flights removable
- High loads

Note: ANSI 40 roller chain

ITEM DESCRIPTION	MATERIAL		BREAKING LOAD		WIDTH L		WEIGHT	
	ROLLER CHAIN	TOP PLATE	N	lbs	mm	in	Kg/m	lbs/ft.
LF845-K200	C45	LF Brown	16900	3800	50,8	2	0,9	0,6
LF845SS-K200	Austenitic		10690	2400	50,8	2	0,9	0,6
LF843-K100	C45		16900	3800	25,4	1	0,8	0,6
LF843-K125			31,8	1 1/4	0,8	0,6		
LF843-K138			34,9	1 3/8	0,8	0,6		
LF843-K144			36,5	1 7/16	0,8	0,6		
LF843-K200			50,8	2	0,9	0,6		
LF843-K325			82,5	3 1/4	1,0	0,7		
LF843SS-K100	Austenitic		10690	2400	25,4	1	0,8	0,6
LF843SS-K125			31,8	1 1/4	0,8	0,6		
LF843SS-K138			34,9	1 3/8	0,8	0,6		
LF843SS-K144			36,5	1 7/16	0,8	0,6		
LF843SS-K200			50,8	2	0,9	0,6		
LF843SS-K325			82,5	3 1/4	1,0	0,7		

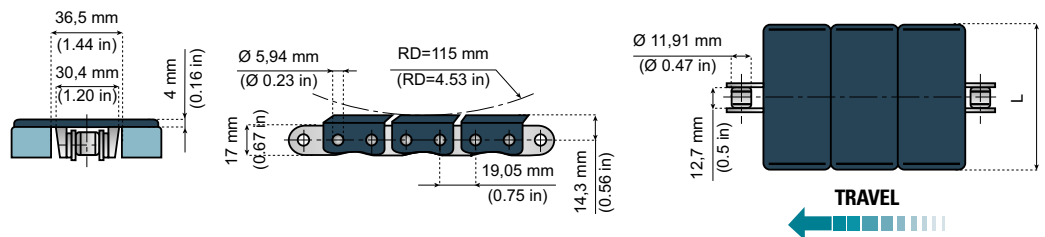


NG® evo conveyor components made from engineered plastic resin

- Longer wearlife than acetal
- Lower friction than acetal
- Good chemical resistance
- High abrasion resistance
- It meets the requirement for materials as stated by EC1935/2004 and FDA CFR21 norms for direct food contact
- Less dust than with acetal chains
- More.....

863

STRAIGHT RUNNING PLATE TOP CHAINS WITH BASE ROLLER (PITCH 3/4" - 19,05 mm)



Descriptions:

Combining the carrying capacity of a high quality base roller chain with the smoothness and flatness of the thermoplastic flights, allows for greater conveyor design freedom with these chains, increased conveyor lengths and faster speeds are possible.

Note: ANSI 60 roller chain

ITEM DESCRIPTION	MATERIAL		BREAKING LOAD		WIDTH L		WEIGHT	
	ROLLER CHAIN	TOP PLATE	N	lbs	mm	in	Kg/m	lbs/ft.
NGE863-K325	C45	NGE Grey Blue	38000	8550	82,5	3 1/4	2,1	1,4
NGE863-K450					114,3	4 1/2	2,2	1,5
NGE863-K600					152,4	6	2,5	1,7
NGE863-K750					190,5	7 1/2	2,7	1,8
NGE863SS-K325	Austenitic	NGE Grey Blue	30000	6750	82,5	3 1/4	2,1	1,4
NGE863SS-K450					114,3	4 1/2	2,2	1,5
NGE863SS-K600					152,4	6	2,5	1,7
NGE863SS-K750					190,5	7 1/2	2,7	1,8

Standard length: 240 pitches (10 ft. - 3,048 m) - 120 Flights

Breaking load according to standard ISO 4348 - DIN 8153

Chains & sprockets	Wear strips	Side guide brackets & accessories	Levelers	Engineering manual
Modular belts & sprockets	Chain & belt return systems	Frame & structure supports	Bearing supports	
Curves & tracks	Side guide solutions	Miscellaneous products	Equipment	

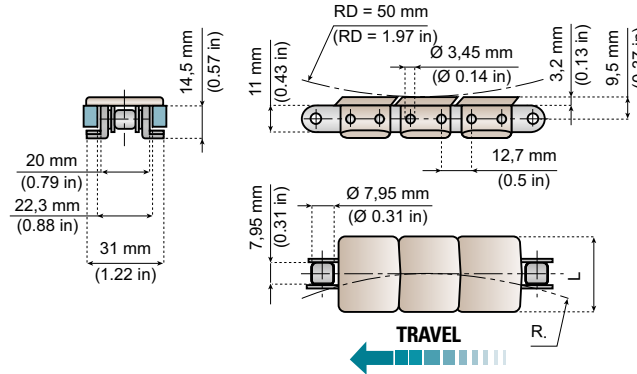


11470a

1843

www.SystemPlastSmartGuide.com

SIDEFLEXING OVERLAPPING PLATE TOP CHAINS WITH BASE ROLLER (PITCH 1/2" - 12,7 mm)



Advantages:

- Small pitch.
- Small sprocket diameter and chordal effect.
- Continuous flat conveying surface.

Note:

ANSI 40 roller chain

Nolu®-S curves

are strongly recommended with these chains!

ITEM DESCRIPTION	MATERIAL		BREAKING LOAD		WIDTH L		R		WEIGHT	
	ROLLER CHAIN	TOP PLATE	N	lbs	mm	in.	mm	in.	Kg/m	lbs/ft.
LF1843TAB-K125	C45	LF Brown	13000	2930	31,8	1 ¼	254	10	0,7	0.5
LF1843TAB-K200					50,8	2			0,9	0.6
LF1843SS-TAB-K125	Austenitic	LF Brown	10000	2250	31,8	1 ¼	254	10	0,7	0.5
LF1843SS-TAB-K200					50,8	2			0,9	0.6

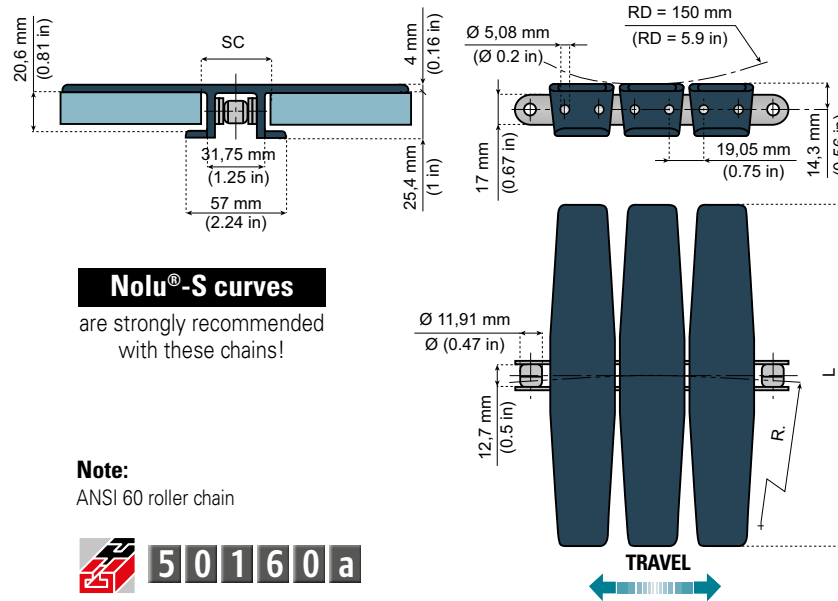
Standard length: 240 pitches (10 Ft - 3,048 m) - 120 flights



New **NG evo**

NG® evo conveyor components made from engineered plastic resin
 Longer wearlife than acetal
 Lower friction than acetal
 Good chemical resistance
 High abrasion resistance
 It meets the requirement for materials as stated by EC1935/2004 and FDA CFR21 norms for direct food contact
 Less dust than with acetal chains
 More.....

1873 TAB SIDEFLEXING PLATE TOP CHAINS WITH BASE ROLLER (PITCH 3/4" - 19,05 mm)



Nolu®-S curves

are strongly recommended with these chains!

Note:

ANSI 60 roller chain

50160a

Other versions 1873 TAB:

VG Rubber top



GS Gripper



VG Neck Sterilizer



ITEM DESCRIPTION	MATERIAL		BREAKING LOAD		WIDTH L		R MIN.		SC				WEIGHT	
	ROLLER CHAIN	PLATE	N	lbs	mm	in.	mm	in.	STRAIGHT		CURVING		Kg/m	lbs/ft.
									mm	in.	mm	in.		
NGE1873TAB-K225	C45	NGE Grey Blue	27000	6080	57,1	2 ¼	380	15	33,3	1.3	35	1.38	2,0	1.3
NGE1873TAB-K325					82,5	3 ¼							2,1	1.4
NGE1873TAB-K450					114,3	4 ½							2,2	1.5
NGE1873TAB-K600					152,4	6	2,4	1.6						
NGE1873TAB-K750					190,5	7 ½	2,6	1.7						
NGE1873TAB-K1000					254,0	10	2,8	1.9						
NGE1873TAB-K1200	Austenitic	NGE Grey Blue	21000	4730	304,8	12	610	24	33,3	1.3	35	1.38	3,0	2.0
NGE1873SS-TAB-K225					57,1	2 ¼							2,0	1.3
NGE1873SS-TAB-K325					82,5	3 ¼							2,1	1.4
NGE1873SS-TAB-K450					114,3	4 ½	2,2	1.5						
NGE1873SS-TAB-K600					152,4	6	2,4	1.6						
NGE1873SS-TAB-K750					190,5	7 ½	2,6	1.7						
NGE1873SS-TAB-K1000	254,0	10	2,8	1.9										
NGE1873SS-TAB-K1200	304,8	12	3,0	2.0										

Standard length: 160 pitches (10 ft. - 3,048 m) - 80 flights

Breaking load according to standard ISO 4348 - DIN 8153

Chains & sprockets	Wear strips	Side guide brackets & accessories	Levelers	Engineering manual
Modular belts & sprockets	Chain & belt return systems	Frame & structure supports	Bearing supports	
Curves & tracks	Side guide solutions	Miscellaneous products	Equipment	

11490a

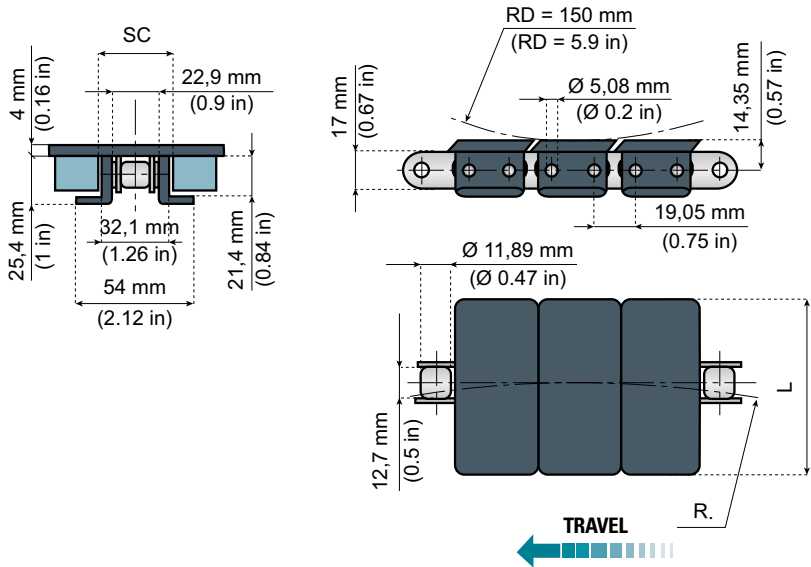
1863 TAB

www.SystemPlastSmartGuide.com

SIDEFLEXING OVERLAPPING PLATE TOP CHAINS WITH BASE ROLLER (PITCH 3/4" - 19,05 mm)



New
NG
evo



NG® evo conveyor components
made from engineered plastic resin

- Longer wearlife than acetal
- Lower friction than acetal
- Good chemical resistance
- High abrasion resistance

It meets the requirement for materials as stated by EC1935/2004 and FDA CFR21 norms for direct food contact

- Less dust than with acetal chains
- More.....

Advantages:

- Overlapping flights reduce gap between flights and assure better product stability
- Improved safety because of the reduced flights gap on both the straight and curved sections of the conveyor
- Interchangeable with 1873 series

Note:
ANSI 60 roller chain

ITEM DESCRIPTION	MATERIAL		BREAKING LOAD		WIDTH L		R MIN.		SC				WEIGHT	
	ROLLER CHAIN	PLATE	N	lbs	mm	in	mm	in	STRAIGHT		CURVING		Kg/m	lbs/ft.
									mm	in	mm	in		
NGE1863TAB-K225	C45	NGE Grey Blue	27000	6080	57,2	2 ¼	380	15	33,3	1.3	35	1.38	2,0	1.3
NGE1863TAB-K325					82,5	3 ¼								
NGE1863SS-TAB-K225	Austenitic	NGE Grey Blue	21000	4730	57,2	2 ¼	380	15	33,3	1.3	35	1.38	2,0	1.3
NGE1863SS-TAB-K325					82,5	3 ¼								

Standard length: 160 pitches (10 ft. - 3,048 m) - 80 Flights

Breaking load according to standard ISO 4348 - DIN 8153

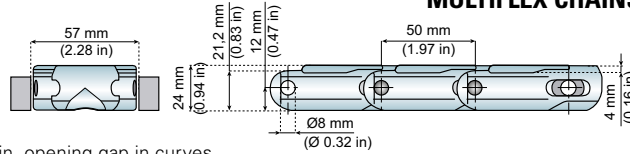
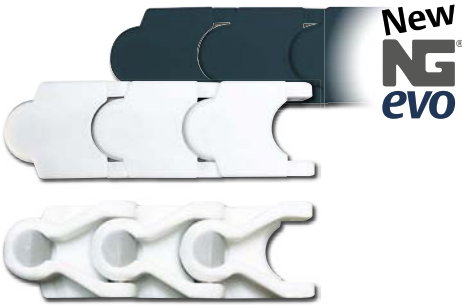
Chains & sprockets	Wear strips	Side guide brackets & accessories	Levelers	Engineering manual
Modular belts & sprockets	Chain & belt return systems	Frame & structure supports	Bearing supports	
Curves & tracks	Side guide solutions	Miscellaneous products	Equipment	

11530a

1706 - 1700 - 1702 - 1701 TAB

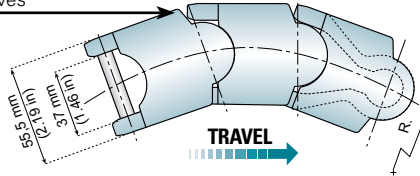
www.SystemPlastSmartGuide.com

MULTIFLEX CHAINS



Min. opening gap in curves for improved safety

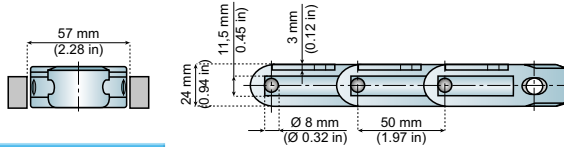
1706
SAFETY CHAIN



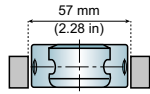
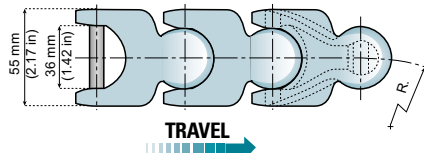
Pin Material: Austenitic Stainless Steel

ITEM DESCRIPTION	MATERIAL LINK	BREAKING LOAD		R MIN.		WEIGHT	
		N	lbs	mm	in	Kg/m	lbs/ft.
NGE1706	NGE Grey Blue	7200	1600	125	4.9	1,3	0.9
LFW1706	LFW White	8000	1800	125	4.9	1,3	0.9

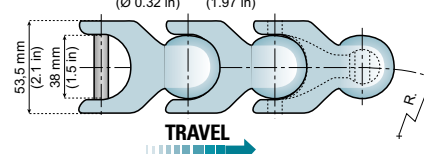
NG® evo conveyor components made from engineered plastic resin
 Longer wearlife than acetal
 Lower friction than acetal
 Good chemical resistance
 High abrasion resistance
 It meets the requirement for materials as stated by EC1935/2004 and FDA CFR21 norms for direct food contact
 Less dust than with acetal chains
 More.....



1700

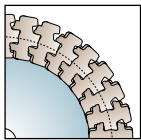


1702



Pin Material: Austenitic Stainless Steel

ITEM DESCRIPTION	MATERIAL LINK	BREAKING LOAD		R MIN.		WEIGHT	
		N	lbs	mm	in	Kg/m	lbs/ft.
NGE1700	NGE Grey Blue	7700	1700	150	5.9	1,3	0.9
LF1700	LF Brown	8500	1900	150	5.9	1,3	0.9
LFG1700	LFG Grey	8500	1900	150	5.9	1,3	0.9
LFW1700	LFW White	8500	1900	150	5.9	1,3	0.9
NGE1702	NGE Grey Blue	8600	1900	150	5.9	1,4	0.9
LF1702	LF Brown	9500	2100	150	5.9	1,4	0.9
LFG1702	LFG Grey	9500	2100	150	5.9	1,4	0.9
LFW1702	LFW White	9500	2100	150	5.9	1,4	0.9



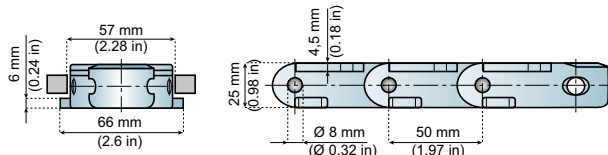
11560a



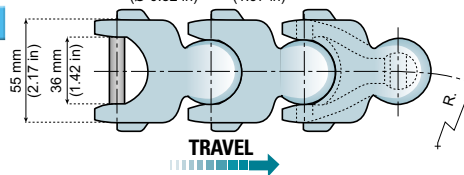
50170a



11550a



1701 TAB



Pin Material: Austenitic Stainless Steel

1701 TAB and have identical dimensions as 1700 series but include TAB configuration to hold down chains especially in curves.

ITEM DESCRIPTION	MATERIAL LINK	BREAKING LOAD		R MIN.		WEIGHT	
		N	lbs	mm	in	Kg/m	lbs/ft.
NGE1701-TAB	NGE Grey Blue	8600	1900	150	5.9	1,4	0.9
LF1701-TAB	LF Brown	9500	2100	150	5.9	1,4	0.9
LFW1701-TAB	LFW White	9500	2100	150	5.9	1,4	0.9

Standard length: 61 pitches (10 ft. - 3,050 m)

Chains & sprockets	Wear strips	Side guide brackets & accessories	Levelers	Engineering manual
Modular belts & sprockets	Chain & belt return systems	Frame & structure supports	Bearing supports	
Curves & tracks	Side guide solutions	Miscellaneous products	Equipment	

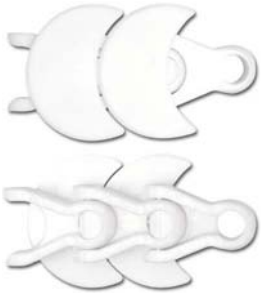


1 1 5 4 0 a

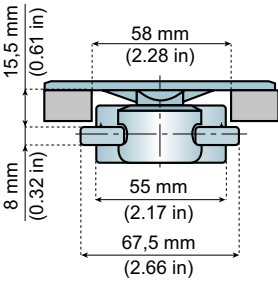
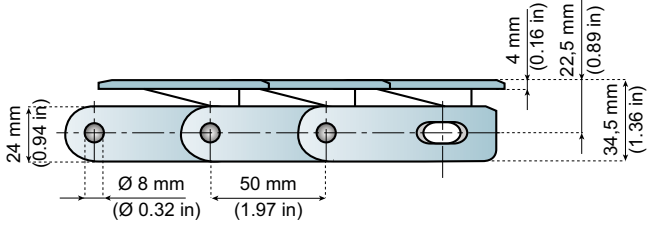
1710

www.SystemPlastSmartGuide.com

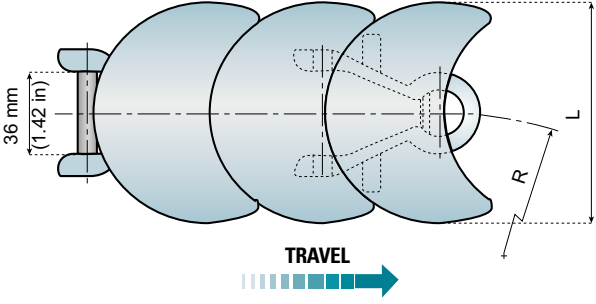
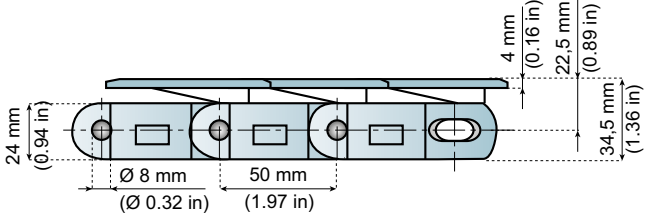
MULTIFLEX CHAINS



1710

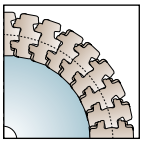


1710-CTAB



5 0 1 7 0 a

1 1 5 5 0 a



1 1 5 6 0 a

Pin Material: Austenitic Stainless Steel

ITEM DESCRIPTION	MATERIAL LINK	L	BREAKING LOAD		R MIN.		WEIGHT	
			N	lbs	mm	in	Kg/m	lbs/ft.
LFG1710-K375	LFG	95	10500	2360	150	5.9	1,9	1.3
LFG1710-K750	Grey	190			500	19.7	2,4	1.6
LFW1710-K375	LFW	95	10500	2360	150	5.9	1,9	1.3
LFW1710-K750	White	190			500	19.7	2,4	1.6
LFG1710-CTAB-K375	LFG	95	10500	2360	150	5.9	1,9	1.3
LFG1710-CTAB-K750	Grey	190			500	19.7	2,4	1.6
LFW1710-CTAB-K375	LFW	95	10500	2360	150	5.9	1,9	1.3
LFW1710-CTAB-K750	White	190			500	19.7	2,4	1.6

Standard length: 61 pitches (10 ft. - 3,050 m)

Chains & sprockets	Wear strips	Side guide brackets & accessories	Levelers	Engineering manual
Modular belts & sprockets	Chain & belt return systems	Frame & structure supports	Bearing supports	
Curves & tracks	Side guide solutions	Miscellaneous products	Equipment	

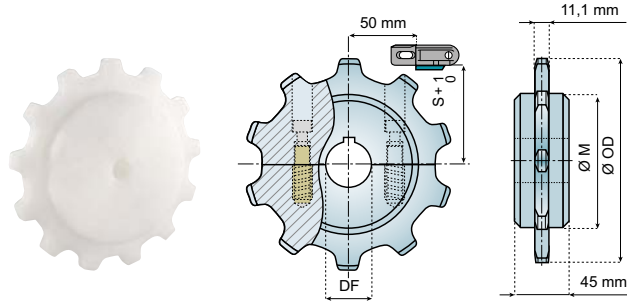


11550a

DRIVE AND RETURN SPROCKETS

FOR MULTIFLEX CHAINS

www.SystemPlastSmartGuide.com



New design

30990a

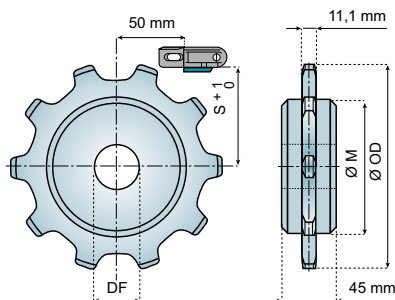
Features:

- Very high strength.
- Split versions: quick and easy replacement.
- Foolproof design.
- Completely closed structure, easy to clean and to disinfect.
- Excellent wear and chemical resistance.
- Recyclable.

MACHINED DRIVE SPROCKETS - SPLIT FIXED						
Z	Ø M mm	Ø 23*	Ø 25	Ø 30	Ø 35	Ø 40
ITEM DESCRIPTION						
8	88	1700-8R23M-RMS	1700-8R25M-DMS	1700-8R30M-DMS	1700-8R35M-DMS	1700-8R40M-DMS
10	110	1700-10R23M-RMS	1700-10R25M-DMS	1700-10R30M-DMS	1700-10R35M-DMS	1700-10R40M-DMS

Z	Ø OD mm	S mm
8	136,3	53,0
10	165,1	69,0

Material: polyamide (natural white); screws in stainless steel, bushings in brass, DIN 6885 key seat. *Plain bore



See also the chains:

1700-1702-1701 TAB-1706

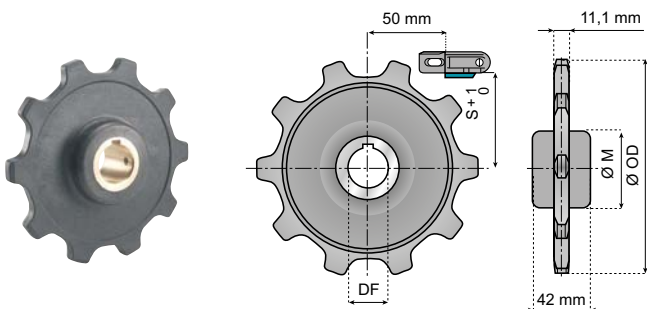
11530a

1710-1713

11540a

MACHINED RETURN SPROCKETS - ONE PIECE					
Z	Ø M mm	Ø 25	Ø 30	Ø 35	Ø 40
ITEM DESCRIPTION					
8	85	1700-8R25M-RM	1700-8R30M-RM	1700-8R35M-RM	1700-8R40M-RM
10	110	1700-10R25M-RM	1700-10R30M-RM	1700-10R35M-RM	1700-10R40M-RM

Material: polyamide (natural white).



MOLDED DRIVE SPROCKETS - ONE PIECE TIGHT			
Z	Ø M mm	Ø 25	Ø 30
ITEM DESCRIPTION			
8	55	1700-8R25M-D	1700-8R30M-D
10	65	1700-10R25M-D	1700-10R30M-D

Material: reinforced polyamide (black); hub in brass (Z-10 only). DIN 6885 key seat.

Chains & sprockets	Wear strips	Side guide brackets & accessories	Levelers	Engineering manual
Modular belts & sprockets	Chain & belt return systems	Frame & structure supports	Bearing supports	
Curves & tracks	Side guide solutions	Miscellaneous products	Equipment	

1 1 5 6 0 a

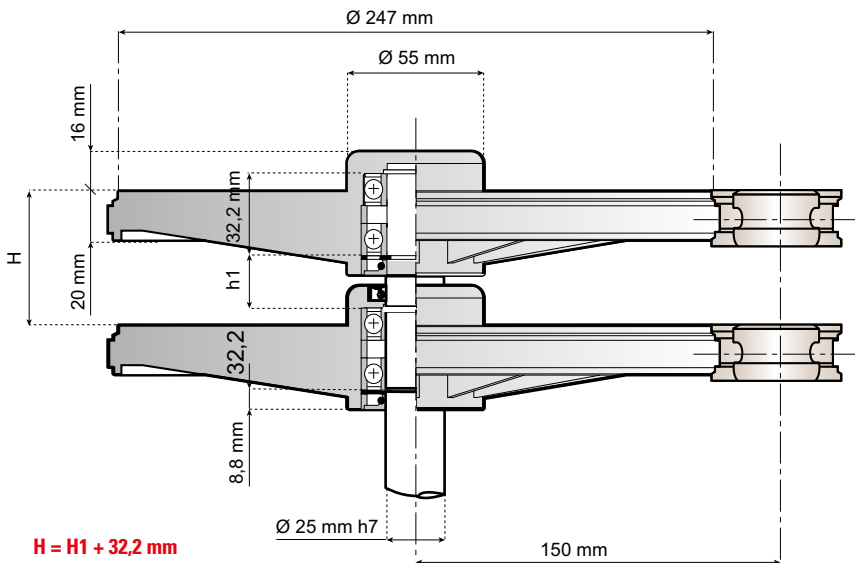
CORNER DISK FOR MULTIFLEX CHAINS

www.SystemPlastSmartGuide.com



- 1 - Turning disk.
- 2 - Single race radial ball bearing with two sliding seals, type 6005-2RS (25x47x12).
- 3 - External (retaining) ring, Ø 25 DIN 471.
- 4 - Seal ring with dust cover, 25x47x7 DIN 3760 (NBR rubber).
- 5 - Internal (retaining) ring, Ø 47 DIN 472.
- 6 - Bearing spacer.
- 7 - Seal ring with dust cover, 25x35x7 DIN 3760 (NBR rubber).

Molded version



TYPES OF CHAIN:

1700 - 1702 - 1706
1710 (ONLY R 150 - NO "CTAB" VERSION)

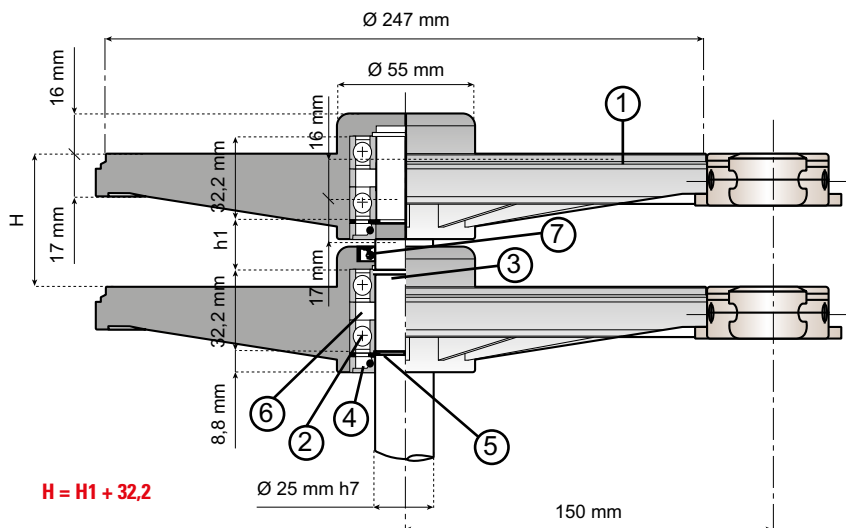
Material: polyamide reinforced with glass fiber.
Colour: black.

TURNING DISK CLOSED VERSION

ITEM DESCRIPTION
1700-300R25M-RC

TURNING DISK OPEN VERSION

ITEM DESCRIPTION
1700-300R25M-RB



TYPE OF CHAIN:

1701 TAB

Material: polyamide reinforced with glass fiber.
Colour: black.

TURNING DISK CLOSED VERSION

ITEM DESCRIPTION
1701T-300R25M-RC

TURNING DISK OPEN VERSION

ITEM DESCRIPTION
1701T-300R25M-RB



Multiflex chains

1 1 5 3 0 a

1 1 5 4 0 a

Chains & sprockets	Wear strips	Side guide brackets & accessories	Levelers	Engineering manual
Modular belts & sprockets	Chain & belt return systems	Frame & structure supports	Bearing supports	
Curves & tracks	Side guide solutions	Miscellaneous products	Equipment	



11570a

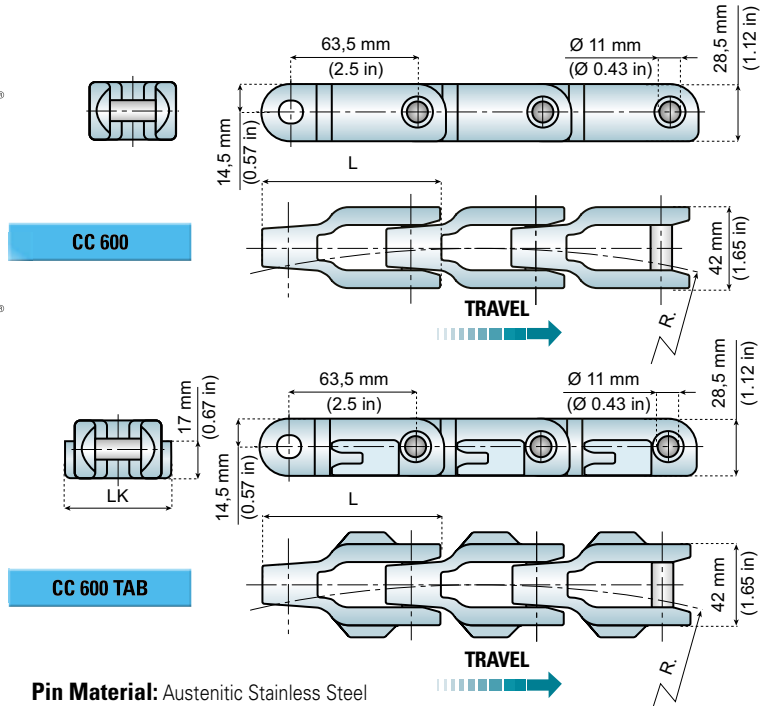
CC 600 - CC 600 TAB CRATE CONVEYOR CHAINS

www.SystemPlastSmartGuide.com



New
NG
evo

New
NG
evo



NG® evo conveyor components
made from engineered plastic resin
Longer wearlife than acetal
Lower friction than acetal
Good chemical resistance
High abrasion resistance
It meets the requirement for materials as
stated by EC1935/2004 and FDA CFR21
norms for direct food contact
Less dust than with acetal chains
More.....

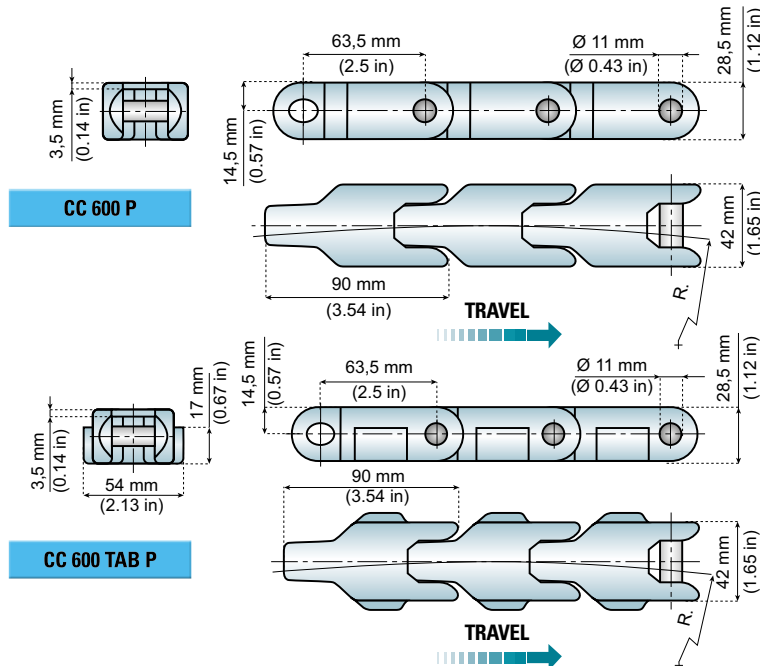
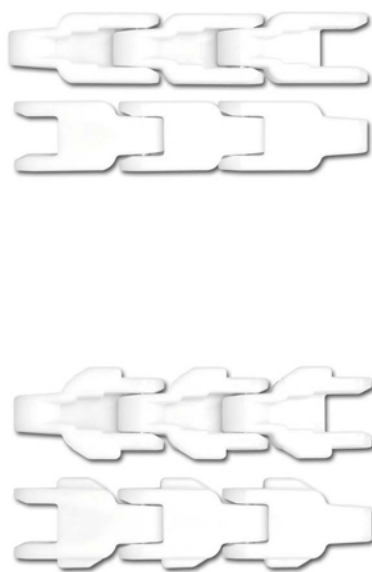
Pin Material: Austenitic Stainless Steel

ITEM DESCRIPTION	MATERIAL		BREAKING LOAD		R MIN.		L		LK		WEIGHT	
	LINK	PIN	N	lbs	mm	in	mm	in	mm	in	Kg/m	lbs/ft.
NGE600	NGE	SS	12500	2812	650	25.6	90	3.54	-	-	1,3	0.9
NGE600TAB	Grey Blue	SS	12500	2812	650	25.6	90	3.54	54	2.13	1,5	1.0
LFW600	W	SS	14000	3150	650	25.6	90	3.54	-	-	1,3	0.9
LFW600TAB	White	SS	14000	3150	650	25.6	90	3.54	54	2.13	1,5	1.0

11580a

CC 600 P - CC 600 TAB P CRATE CONVEYOR CHAINS WITH TOP PLATE

CRATE CONVEYOR CHAINS WITH TOP PLATE



Pin Material: Austenitic Stainless Steel

ITEM DESCRIPTION	MATERIAL LINK	BREAKING LOAD		R MIN.		WEIGHT	
		N	lbs	mm	in	Kg/m	lbs/ft.
LFW600P	W	14000	3150	700	27.6	1,4	0.9
LFW600P-TAB	White	14000	3150	700	27.6	1,55	1.0

11580a

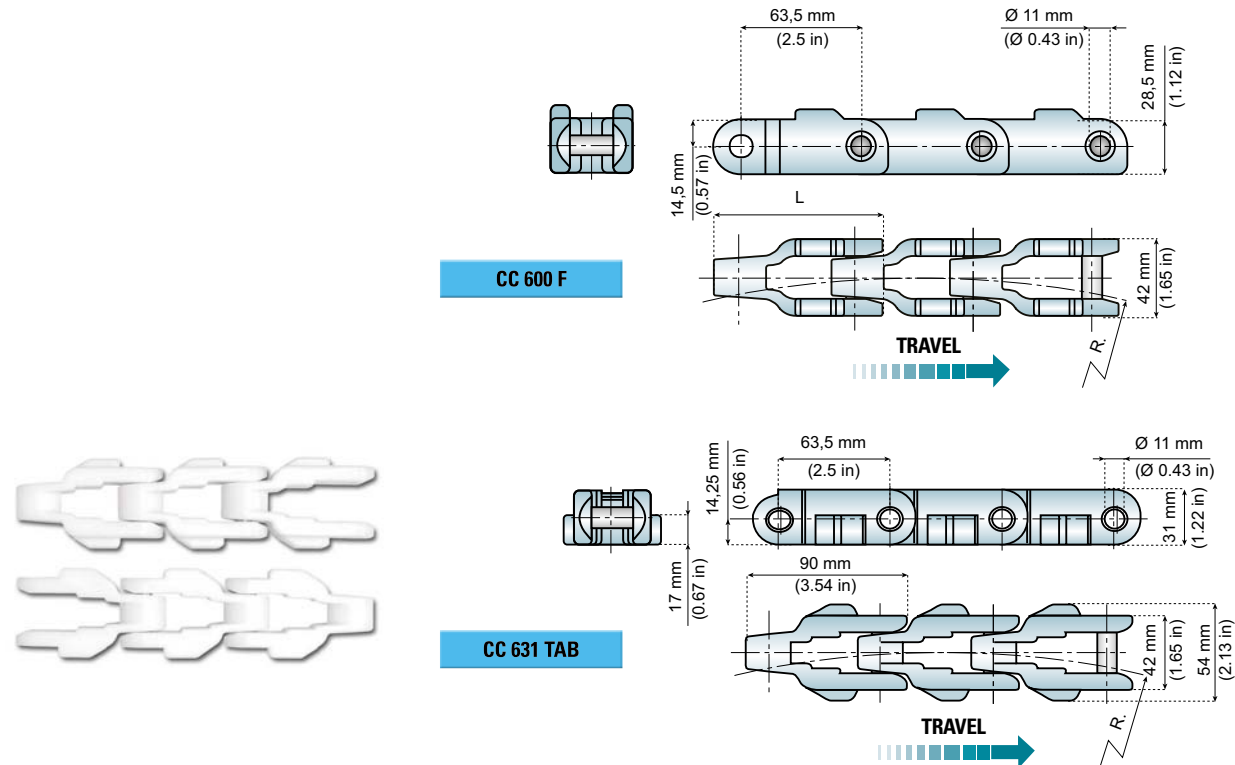
Standard length: 48 pitches (10 ft. - 3,048 m)

Chains & sprockets	Wear strips	Side guide brackets & accessories	Levelers	Engineering manual
Modular belts & sprockets	Chain & belt return systems	Frame & structure supports	Bearing supports	
Curves & tracks	Side guide solutions	Miscellaneous products	Equipment	

11580a

www.SystemPlastSmartGuide.com

CC 600 F - CC 631 TAB FOR CRATE CONVEYOR CHAINS



Pin Material: Austenitic Stainless Steel

ITEM DESCRIPTION	MATERIAL LINK	BREAKING LOAD		R MIN.		WEIGHT	
		N	lbs	mm	in	Kg/m	lbs/ft.
LFW600F	W White	14000	3150	700	27.6	1,4	0.9
LFW631TAB							

Standard length: 48 pitches (10 ft. - 3,048 m)

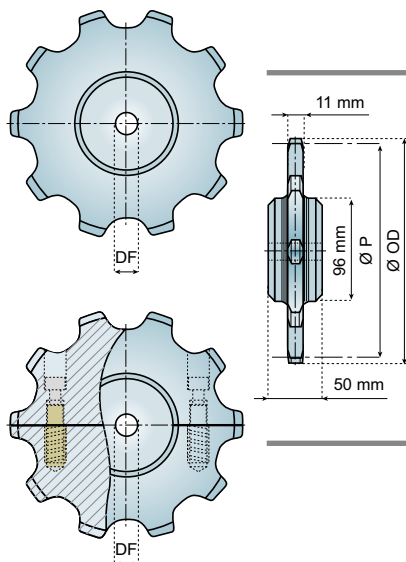
DRIVE AND RETURN SPROCKETS FOR CRATE CONVEYOR CHAINS

Features:

- Completely closed structure, easy to clean and to disinfect.
- Excellent wear and chemical resistance.
- Recyclable.

Application: chains series 600 - 631.

Z	Ø OD mm	Ø P mm	S mm
6	125.5	127	49.8
8	172	166	69.2
10	215	205	89.1
12	256	246	108.9
14	297	286	129



MACHINED DRIVE SPROCKETS ONE PIECE			
Z	Ø 23*	Ø 30	Ø 40
ITEM DESCRIPTION			
6	-	600-6R30M-DM	-
10	-	600-10R30M-DM	-
MACHINED RETURN SPROCKETS ONE PIECE			
8	600-8R23M-RM	-	-
10	600-10R23M-RM	-	-
12	600-12R23M-RM	-	-
14	600-14R23M-RM	-	-
MACHINED DRIVE SPROCKETS - SPLIT FIXED			
8	-	-	600-8R40M-DMS
10	-	600-10R30M-DMS	600-10R40M-DMS
MACHINED RETURN SPROCKETS - SPLIT			
10	-	600-10R30M-RMS	-

Material: polyamide (natural white); screws in stainless steel, bushings in brass, DIN 6885 key seat. *Plain bore

For all the CC 600
11570a

Chains & sprockets	Wear strips	Side guide brackets & accessories	Levelers	Engineering manual
Modular belts & sprockets	Chain & belt return systems	Frame & structure supports	Bearing supports	
Curves & tracks	Side guide solutions	Miscellaneous products	Equipment	

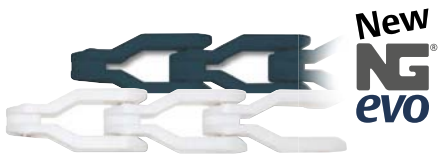


11590a

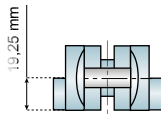
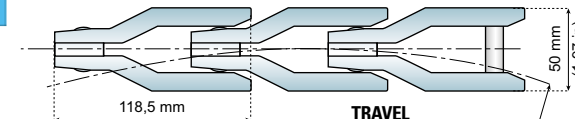
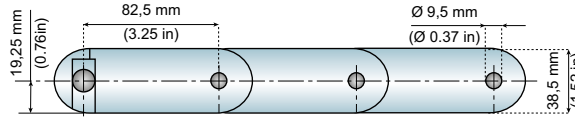
CC 1400 - CC 1400 TAB - CC 1431 TAB

FOR CRATE CONVEYOR CHAINS

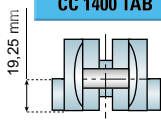
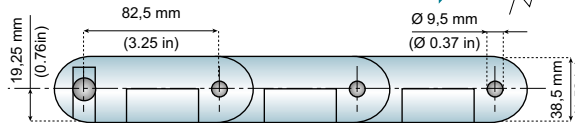
www.SystemPlastSmartGuide.com



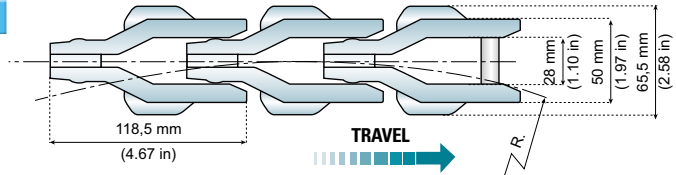
CC 1400



CC 1400 TAB



CC 1431 TAB



NG® evo conveyor components
made from engineered plastic resin
 Longer wearlife than acetal
 Lower friction than acetal
 Good chemical resistance
 High abrasion resistance
 It meets the requirement for materials as stated by EC1935/2004 and FDA CFR21 norms for direct food contact
 Less dust than with acetal chains
 More.....

Pin Material:
SS: Ferritic Stainless Steel
SSR: Austenitic Stainless Steel Riveted

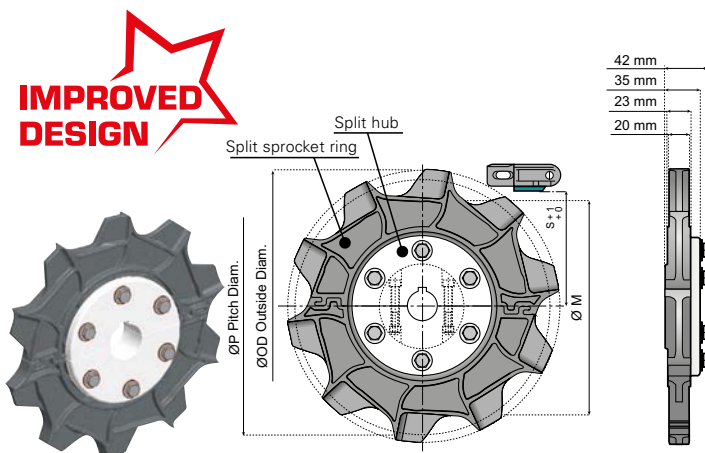
ITEM DESCRIPTION	MATERIAL		BREAKING LOAD		R MIN.		WEIGHT	
	LINK	PIN	N	lbs	mm	in	Kg/m	lbs/ft.
LFW1400	W White	SS	18000	4050	660	26	3,2	2,2
LFW1400TAB							3,4	2,3
LFW1431TAB							3,4	2,3
NGE1400	NGE Grey Blue	SS	16200	3600	660	26	3,2	2,2
NGE1400TAB							3,4	2,3
NGE1431TAB							3,4	2,3
LFW1400R	W White	SSR Riveted	18000	4050	660	26	3,2	2,2
LFW1400R-TAB							3,4	2,3
LFW1431R-TAB							3,4	2,3
NGE1400R	NGE Grey Blue	SSR Riveted	16200	3600	660	26	3,2	2,2
NGE1400R-TAB							3,4	2,3
NGE1431R-TAB							3,4	2,3

Breaking Load according to Standard ISO 4348 - DIN 8153

Standard length: 37 pitches (10 ft. - 3,053 m)

DRIVE AND RETURN SPROCKETS

FOR CRATE CONVEYOR CHAINS



Features:

- Split versions: quick and easy replacement.
- Excellent wear and chemical resistance.
- Recyclable.

Z	Ø OD mm	Ø P mm	Ø M mm	S mm
10	270	265,4	214	115

MOLDED DRIVE SPROCKETS - SPLIT TIGHT

	Ø 20*	Ø 30	Ø 40
ITEM DESCRIPTION			
1400-10R20M-R	1400-10R30M-D	1400-10R40M-D	

Material: hub: polyamide (natural white); ring: reinforced polyamide (black) high impact. *Plain bore

Chains & sprockets	Wear strips	Side guide brackets & accessories	Levelers	Engineering manual
Modular belts & sprockets	Chain & belt return systems	Frame & structure supports	Bearing supports	
Curves & tracks	Side guide solutions	Miscellaneous products	Equipment	

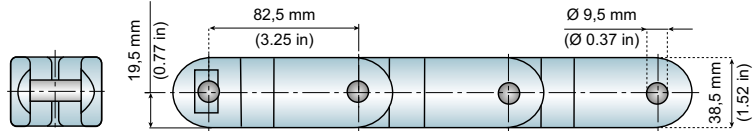
11600a

CC 1400 V - CC 1400 V TAB FOR CRATE CONVEYOR CHAINS

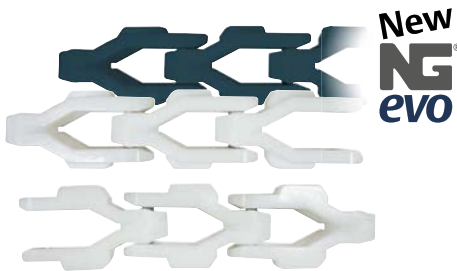
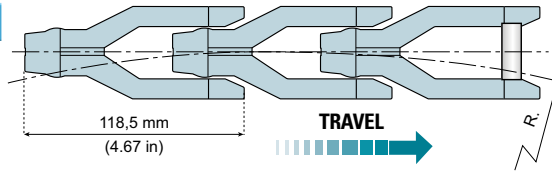
www.SystemPlastSmartGuide.com



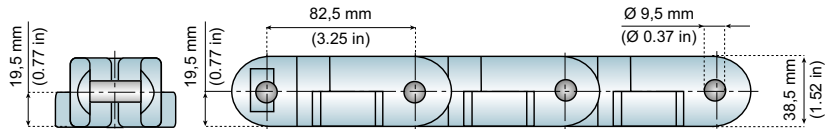
New
NG
evo



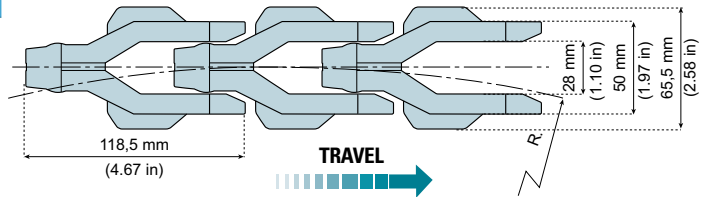
CC 1400 V



New
NG
evo



CC 1400 V TAB



Pin Material:

SS: Ferritic Stainless Steel
SSR: Austenitic Stainless Steel Riveted

ITEM DESCRIPTION	MATERIAL		BREAKING LOAD		R MIN.		WEIGHT	
	LINK	PIN	N	lbs	mm	in	Kg/m	lbs/ft.
LFW1400V	W	SS	18000	4050	660	26	3,2	2.2
LFW1400V-TAB	White	SS	18000	4050	660	26	3,4	2.3
NGE1400V	NGE	SS	18000	4050	660	26	3,2	2.2
NGE1400V-TAB	Grey Blue	SS	18000	4050	660	26	3,4	2.3
LFW1400V-R	W	SSR	18000	4050	660	26	3,2	2.2
LFW1400V-R-TAB	White	Riveted	18000	4050	660	26	3,4	2.3

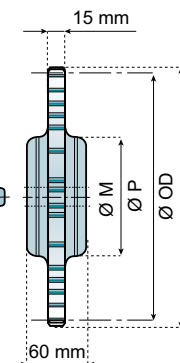
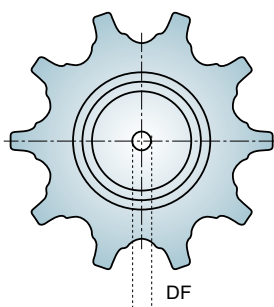
Standard length: 37 pitches (10 ft. - 3,048 m)
Breaking load according to standard ISO 4348 - DIN 8153

RETURN SPROCKETS

FOR CRATE CONVEYOR CHAINS

Features:

- Completely closed structure, easy to clean and to disinfect.
- Excellent wear and chemical resistance.
- Recyclable.



MACHINED RETURN SPROCKETS ONE PIECE PRE-BORE			
Ø 23*			
ITEM DESCRIPTION			
1400V-8R23M-RM			
1400V-10R23M-RM			

Z	Ø OD mm	Ø P mm	Ø M mm
8	227,6	218	90
10	279	267	125

Material: polyamide (natural white).
*Plain bore

Chains & sprockets	Wear strips	Side guide brackets & accessories	Levelers	Engineering manual
Modular belts & sprockets	Chain & belt return systems	Frame & structure supports	Bearing supports	
Curves & tracks	Side guide solutions	Miscellaneous products	Equipment	

1 1 6 0 0 z

APPLICATION EXAMPLES

www.SystemPlastSmartGuide.com



CONVEYOR FOR POSITIONED PRODUCTS FOR PALLETIZER.

For modular chains with rubber surface , go to:

3 0 0 1 0 a

Roller side guides , go to:

5 2 5 1 0 a



MASS FLOW TO SINGLE ROW USING 2251 MODULAR BELT.

Details , go to:

3 0 4 2 0 a 



MASS FLOW CONVEYOR SYSTEM USING SPEEDLINE STAINLESS STEEL CHAINS.

Side flexing Speedline chains, go to:

1 1 0 6 0 a

Straight running Speedline chains, go to:

1 1 0 2 0 a

Magnetic curves, go to:

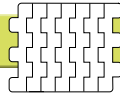
5 0 0 1 0 a



Information about this product is only available on our Smart Guide® website.

Chains & sprockets	Wear strips	Side guide brackets & accessories	Levelers	Engineering manual
Modular belts & sprockets	Chain & belt return systems	Frame & structure supports	Bearing supports	
Curves & tracks	Side guide solutions	Miscellaneous products	Equipment	

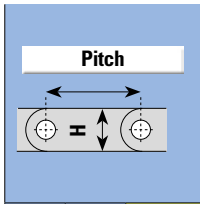
3 0 0 1 0 a



INDEX MODULAR BELTS STRAIGHT RUNNING

FROM 8 mm (1/3") TO 25,4 mm (1") PITCH

www.SystemPlastSmartGuide.com



For other types of belt go to:

3 0 0 1 1 a Index modular belt straight running pitch 25,4 mm (1"), 50,8 mm (2") and 63,5 mm (2 1/2")

3 0 0 1 2 a Index modular belt sideflexing

Information about this product is only available on our Smart Guide® website.



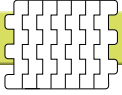
PITCH mm	H mm	VERSION MODULE	BELT SERIES	FLAT TOP	FLUSH GRID	RUBBER INSERTS	LBP	SPECIAL
8 (1/3")	6	Imperial	2080	New	-	-	-	-
		3 0 0 2 7 a	3 0 0 2 5 a					
12,7 (1/2")	8,7	Metric 85	2120					Guide bar 3 0 1 2 0 a
		3 0 1 6 0 a	3 0 0 5 0 a	3 0 0 7 0 a	3 0 1 0 0 a	3 0 1 1 0 a		
		Metric 100	2122	-		-	-	-
		3 0 1 6 6 a	3 0 0 7 3 a					
		Imperial	2121		-	-	-	-
		3 0 1 6 0 a	3 0 0 5 5 a 3 0 0 3 0 a					
19,05 (3/4")	8,7	Metric	2124		-		-	-
		3 0 1 6 5 a	3 0 0 3 0 a	3 0 0 9 0 a				
		Imperial	2190			-	-	-
3 0 2 3 5 a	3 0 2 1 0 a 3 0 2 0 0 a	3 0 2 3 0 a 3 0 2 2 0 a						
25,4 (1")	8,7	Metric	2250				-	Flights 3 0 3 6 5 a
		3 0 3 9 5 a	3 0 3 2 5 a 3 0 3 1 0 a	3 0 3 6 0 a 3 0 3 4 0 a	3 0 3 7 0 a			
		Imperial	2253		-	-	-	Roller top New 3 0 3 9 8 a
		3 0 3 9 5 a	3 0 3 3 0 a					



Indication for molded to width versions

Chains & sprockets	Wear strips	Side guide brackets & accessories	Levelers	Engineering manual
Modular belts & sprockets	Chain & belt return systems	Frame & structure supports	Bearing supports	
Curves & tracks	Side guide solutions	Miscellaneous products	Equipment	

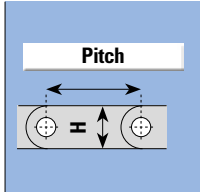
3 0 0 1 1 a



INDEX MODULAR BELTS STRAIGHT RUNNING

FROM 25,4 mm (1") TO 63,5 mm (2 1/2") PITCH

www.SystemPlastSmartGuide.com



For other types of belt go to:

3 0 0 1 0 a Index modular belt straight running

pitch 8 mm (1/3") to 25,4 mm (1")

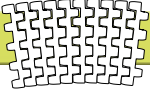
3 0 0 1 2 a Index modular belt sideflexing

PITCH mm	H mm	VERSION MODULE	BELT SERIES	FLAT TOP	FLUSH GRID	RUBBER INSERTS	LBP	SPECIAL
25,4 (1")	12,7	Metric	2251					
			3 0 5 5 0 a					
		Imperial	2252					
			3 0 5 5 0 a					
50,8 (2")	12,7	Metric	2502	-	-	-	-	Draining Top 3 0 6 1 7 a
			3 0 6 1 8 a					
	16	Imperial	2500	-	-	-	-	Raised rib 3 0 6 1 0 a
			3 0 6 1 5 a					
	22	Metric	2508	Anti-slip surface 	-	-	-	-
			3 0 6 4 0 a					
63,5 (2 1/2")	30	Metric	2630	Anti-slip surface 	-	-	-	-
			3 0 6 5 0 a					

Indication for molded to width versions

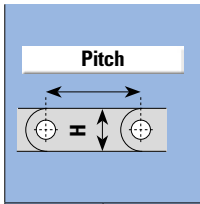
Chains & sprockets	Wear strips	Side guide brackets & accessories	Levelers	Engineering manual
Modular belts & sprockets	Chain & belt return systems	Frame & structure supports	Bearing supports	
Curves & tracks	Side guide solutions	Miscellaneous products	Equipment	

3 0 0 1 2 a



INDEX SIDEFLEXING MODULAR BELT

www.SystemPlastSmartGuide.com



For other types of belt go to:

3 0 0 1 0 a Index modular belt straight running pitch 8 mm (1/3") to 25,4 mm (1")

3 0 0 1 1 a Index modular belt straight running pitch 25,4 mm (1"), 50,8 mm (2") and 63,5 mm (2 1/2")

PITCH mm	H mm	VERSION MODULE	BELT SERIES	FLAT TOP	FLUSH GRID	RUBBER INSERTS	LBP	SPECIAL
12,7 (1/2")	8,7	Metric	2120	New	-	-	-	-
		3 0 1 6 0 a		3 0 7 2 0 a				
25,4 (1")	8,7	TAB chainbelt	2250 TAB		-	-	-	-
		3 0 7 1 5 a		3 0 7 1 0 a				
		Magnetic chainbelt	2260		New	-	-	-
		3 0 7 1 5 a		3 0 7 0 0 a	3 0 7 0 0 a			
25,4 (1")	12,7	Magnetic chainbelt	2251		-	-	-	-
		3 0 7 1 5 a		3 0 7 0 0 a				
		TAB chainbelt	2251 TAB		-	-	-	-
		3 0 7 1 5 a		3 0 7 1 0 a				
25,4 (1")	12,7	Imperial	2256	-			-	-
		3 0 7 4 0 a		3 0 7 3 0 a	3 0 7 3 5 a			
31,75 (1 1/4")	12,7	Metric	2351 2451 2551 2651	-			-	-
		3 0 7 6 0 a		3 0 7 4 5 a	3 0 7 5 5 a			

Indication for molded to width versions

Chains & sprockets	Wear strips	Side guide brackets & accessories	Levelers	Engineering manual
Modular belts & sprockets	Chain & belt return systems	Frame & structure supports	Bearing supports	
Curves & tracks	Side guide solutions	Miscellaneous products	Equipment	

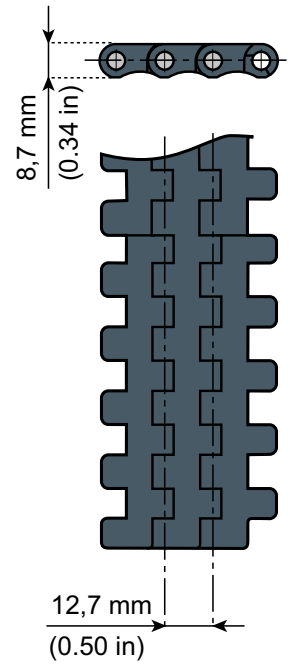
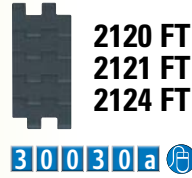
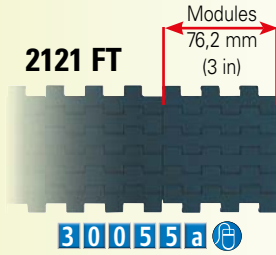
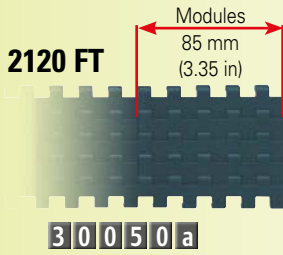
3 0 0 2 0 a

INDEX MODULAR BELTS

www.SystemPlastSmartGuide.com

12,7 mm (½") - THICKNESS: 8,7 mm (0.34 in)

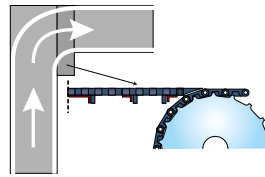
FLAT TOP VERSION



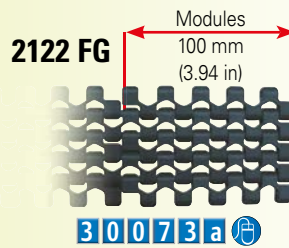
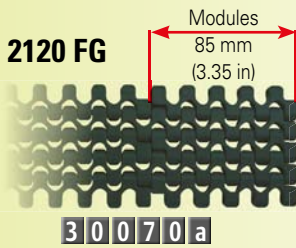
FLAT TOP VERSION WITH TRANSFER WING



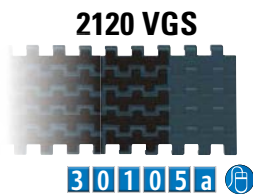
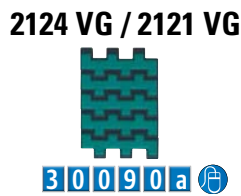
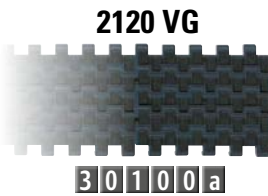
2120 FT
with transfer wing
3 0 0 4 5 a



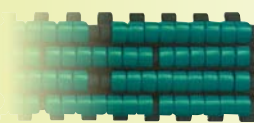
FLUSH GRID VERSION



VERSIONS WITH RUBBER INSERTS



VERSION WITH ACCUMULATION ROLLERS



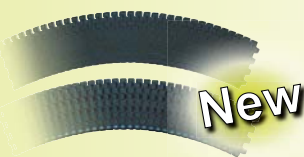
2120 LBP
3 0 1 1 0 a

VERSION WITH GUIDE BARS FOR TRANSFERS



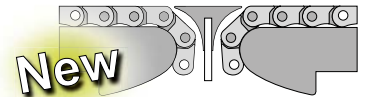
GB 2120
3 0 1 2 0 a

VERSION SIDEFLEXING FOR MAGNETIC CURVES



2120 M
FLOWFLEX™ BELTS
3 0 7 2 0 a

Usually used on short conveyors with a Nose Bar to create extremely short transfers



page code: 3 0 1 7 5 a



Information about this product is only available on our Smart Guide® website.



Chains & sprockets	Wear strips	Side guide brackets & accessories	Levelers	Engineering manual
Modular belts & sprockets	Chain & belt return systems	Frame & structure supports	Bearing supports	
Curves & tracks	Side guide solutions	Miscellaneous products	Equipment	

30025a

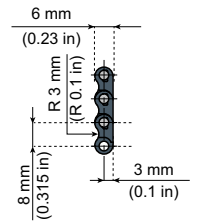
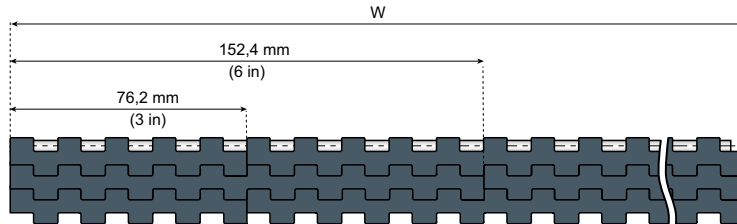
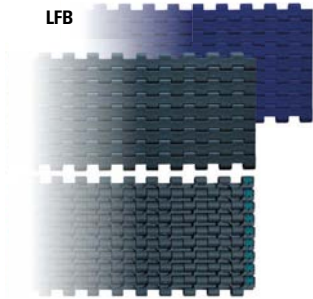
8 mm (1/3") MODULAR BELTS 2080 - MICROPITCH

FLAT TOP VERSION

www.SystemPlastSmartGuide.com



New



NG® evo conveyor components made from engineered plastic resin

- Longer wearlife than acetal
- Lower friction than acetal
- Good chemical resistance
- High abrasion resistance
- It meets the requirement for materials as stated by EC1935/2004 and FDA CFR21 norms for direct food contact
- Less dust than with acetal chains
- More.....

Backflex radius: 10 mm (0.39 in)

Max load capacity: 12500 N/m (850 lbs/ft.)

Weight: 5,5 Kg/m² (1.12 lbs/ft².)

Pin material: PBT (white)

Standard length:

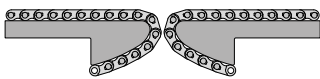
width ≤ 15 in: 3,040m (380 rows)

width > 15 in ≤ 66 in: 1,520m (190 rows)

width > 66 in: on request



Usually used on short conveyors with a Nose Bar to create extremely short transfers



page code: **30029a**



Information about this product is only available on our Smart Guide® website.

Standard materials

NGE (GREY BLUE)

New Generation®

LFB (BLUE)

Low friction acetal resin

Also available into

POM-AS (BLACK)

Anti-static acetal

materials details:

73563a

materials details:

72336a

WIDTH W		ITEM DESCRIPTION	
mm	in	NGE (GREY BLUE)	LFB (BLUE)
76	3.00	NGE2080FT-K300	LFB2080FT-K300
152	6.00	NGE2080FT-K600	LFB2080FT-K600
229	9.00	NGE2080FT-K900	LFB2080FT-K900
305	12.00	NGE2080FT-K1200	LFB2080FT-K1200
381	15.00	NGE2080FT-K1500	LFB2080FT-K1500
457	18.00	NGE2080FT-K1800	LFB2080FT-K1800
533	21.00	NGE2080FT-K2100	LFB2080FT-K2100
610	24.00	NGE2080FT-K2400	LFB2080FT-K2400
686	27.00	NGE2080FT-K2700	LFB2080FT-K2700
762	30.00	NGE2080FT-K3000	LFB2080FT-K3000
838	33.00	NGE2080FT-K3300	LFB2080FT-K3300
914	36.00	NGE2080FT-K3600	LFB2080FT-K3600
991	39.00	NGE2080FT-K3900	LFB2080FT-K3900
1067	42.00	NGE2080FT-K4200	LFB2080FT-K4200
1143	45.00	NGE2080FT-K4500	LFB2080FT-K4500
1219	48.00	NGE2080FT-K4800	LFB2080FT-K4800
1295	51.00	NGE2080FT-K5100	LFB2080FT-K5100
1372	54.00	NGE2080FT-K5400	LFB2080FT-K5400
1448	57.00	NGE2080FT-K5700	LFB2080FT-K5700
1524	60.00	NGE2080FT-K6000	LFB2080FT-K6000
1600	63.00	NGE2080FT-K6300	LFB2080FT-K6300
1676	66.00	NGE2080FT-K6600	LFB2080FT-K6600
1753	69.00	NGE2080FT-K6900	LFB2080FT-K6900
1829	72.00	NGE2080FT-K7200	LFB2080FT-K7200
1905	75.00	NGE2080FT-K7500	LFB2080FT-K7500
1981	78.00	NGE2080FT-K7800	LFB2080FT-K7800
2057	81.00	NGE2080FT-K8100	LFB2080FT-K8100
2134	84.00	NGE2080FT-K8400	LFB2080FT-K8400

Other widths available on request.

Chains & sprockets	Wear strips	Side guide brackets & accessories	Levelers	Engineering manual
Modular belts & sprockets	Chain & belt return systems	Frame & structure supports	Bearing supports	
Curves & tracks	Side guide solutions	Miscellaneous products	Equipment	

30027a

DRIVE SPROCKETS

FOR BELT 2080

www.SystemPlastSmartGuide.com

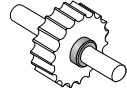


- Features:**
- Split versions: quick and easy replacement.
 - Foolproof design.
 - Completely closed structure, easy to clean and to disinfect.
 - Excellent wear and chemical resistance.
 - Recyclable.



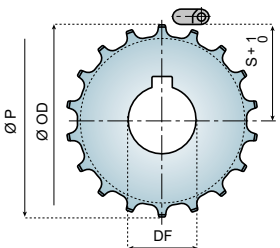
See 8 mm (1/3") pitch belts:

30025a

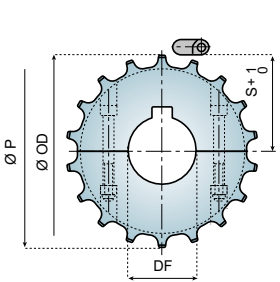


Set collars, go to:

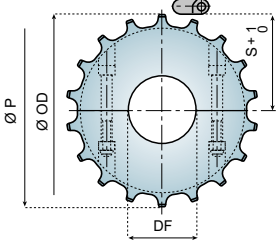
54630a



	MACHINED DRIVE SPROCKETS - ONE PIECE TIGHT		
Z	Ø 30		
	ITEM DESCRIPTION		
24	2080-24R30M-DM		



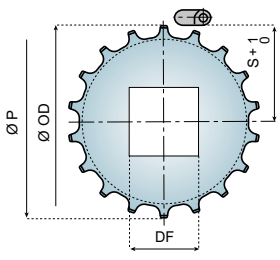
	MACHINED DRIVE SPROCKETS - SPLIT FIXED		
Z	Ø 20	Ø 25	Ø 30
	ITEM DESCRIPTION		
24	2080-24R20M-DMS	2080-24R25M-DMS	-
32	-	2080-32R25M-DMS	2080-32R30M-DMS
36	-	2080-36R25M-DMS	2080-36R30M-DMS



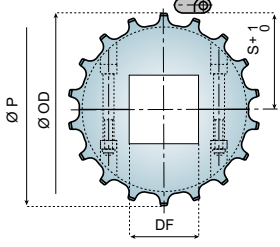
	MACHINED RETURN SPROCKETS - SPLIT		
36	-	2080-36R25M-RMS	2080-36R30M-RMS

Material: polyamide (natural white), screws in stainless steel, nuts in zinc plated steel.

Z	Ø OD mm	Ø P mm	S mm
24	60,6	61,3	28
32	81,0	81,6	38
36	90,4	91,8	43,5



	MACHINED DRIVE SPROCKETS SQUARE BORE - ONE PIECE FLOATING		
Z	Ø 30X30		
	ITEM DESCRIPTION		
24	2080-24S30M-DM		



	MACHINED DRIVE SPROCKETS SQUARE BORE - SPLIT FLOATING		
Z	Ø 25X25	Ø 30X30	Ø 40X40
	ITEM DESCRIPTION		
32	2080-32S25M-DMS	2080-32S30M-DMS	-
36	-	2080-36S30M-DMS	2080-36S40M-DMS

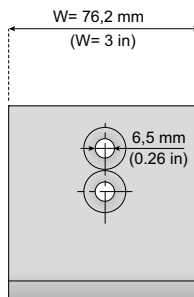
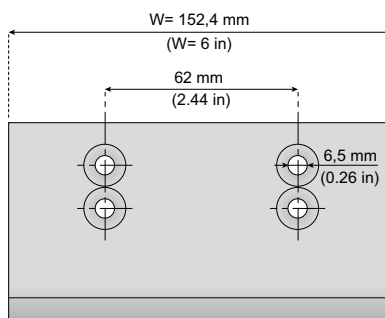
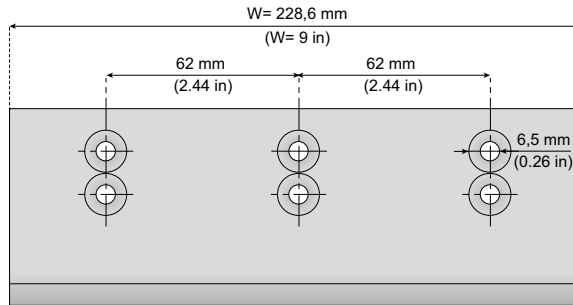
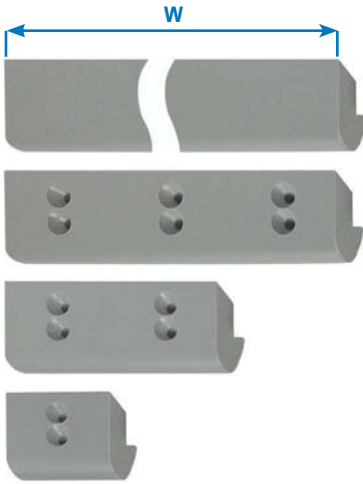
Material: polyamide (natural white), screws in stainless steel, nuts in zinc plated steel.

Chains & sprockets	Wear strips	Side guide brackets & accessories	Levelers	Engineering manual
Modular belts & sprockets	Chain & belt return systems	Frame & structure supports	Bearing supports	
Curves & tracks	Side guide solutions	Miscellaneous products	Equipment	

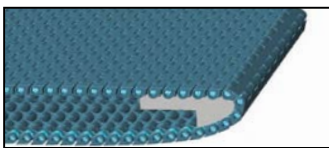
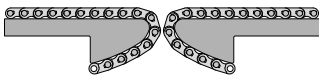
30029a

NOSE BAR FOR 2080 BELTS (1/3" - 8 mm PITCH)

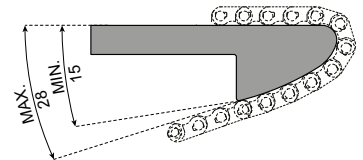
www.SystemPlastSmartGuide.com



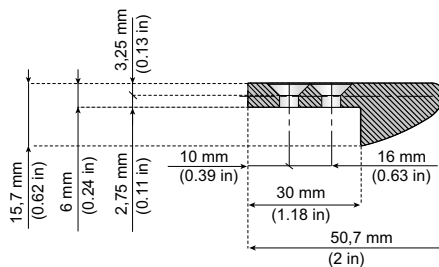
Usually used on short conveyors with a Nose Bar to create extremely short transfers



Sagline angle



See straight running belts with 1/3" - 8 mm pitch: **30025a**



New

PATENTED

SILENT NOSE BAR

ITEM DESCRIPTION	W mm	W in
SNB2080-NS-76H	76,2	3
SNB2080-NS-152H	152,4	6
SNB2080-NS-228H	228,6	9
SNB2080-NS-1200	1200	47,2

Note:

1,2 m nose bar is supplied WITHOUT holes

Chains & sprockets	Wear strips	Side guide brackets & accessories	Levelers	Engineering manual
Modular belts & sprockets	Chain & belt return systems	Frame & structure supports	Bearing supports	
Curves & tracks	Side guide solutions	Miscellaneous products	Equipment	

30030a

12,7 mm (½") MODULAR BELTS

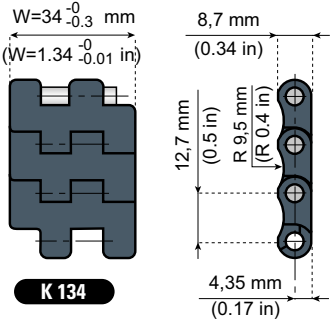
SINGLE TRACK FLAT TOP

www.SystemPlastSmartGuide.com



New
NG
evo

2124 versions: 34 mm (1.34 in) wide



K 134

NG® evo conveyor components made from engineered plastic resin
 Longer wearlife than acetal
 Lower friction than acetal
 Good chemical resistance
 High abrasion resistance
 It meets the requirement for materials as stated by EC1935/2004 and FDA CFR21 norms for direct food contact
 Less dust than with acetal chains
 More.....

Pin material: PBT (white)

ITEM DESCRIPTION	MATERIAL	WIDTH W		BACKFLEX RADIUS		MAX LOAD CAPACITY		WEIGHT	
		mm	in	mm	in	N	lbs	Kg/m	lbs/ft.
NGE2124FT-K134	NGE Grey Blue	34	1.34	10	0.39	300	65	0,3	0.2



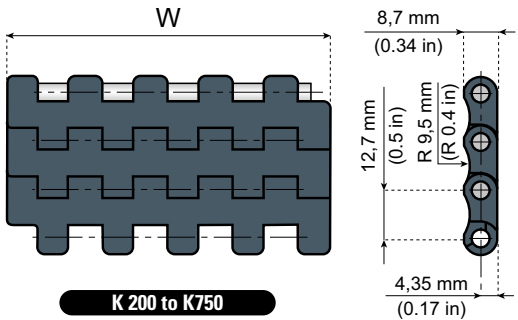
30165a

Information about this product is only available on our Smart Guide® website.

Standard length: 240 pitches (3,048 m - 10 ft.)

2120/2121 versions: 51-190,5 mm (2 - 7.5 in) wide

New
NG
evo



K 200 to K750

Pin material: PBT (white)

ITEM DESCRIPTION	MATERIAL	WIDTH W		BACKFLEX RADIUS		MAX LOAD CAPACITY		WEIGHT	
		mm	in	mm	in	N	lbs	Kg/m	lbs/ft.
NGE2121FT-K200	NGE Grey Blue	51	2	10	0.39	680	150	0,45	0.30
NGE2121FT-K300		76,2	3			1370	300	0,7	0.47
NGE2121FT-K325		82,6	3.25			1490	330	0,7	0.47
NGE2120FT-K330		83,8	3.3			1490	330	0,7	0.47
NGE2121FT-K450		114,3	4.5			2060	460	1	0.67
NGE2121FT-K600		152,4	6			2750	610	1,3	0.87
NGE2121FT-K750		190,5	7.50			3430	760	1,7	1.14



30160a

Standard length: 240 pitches (3,048 m - 10 ft.)

Notes:
Schematic presentation of all flat top 12,7 mm (½") pitch belts

Other versions for 12,7 mm (½") belts:

FG
Flush grid

VG
Rubber insert

LBP
(low pressure)

GB
(Guide bar)

Sideflex



Information about this product is only available on our Smart Guide® website.

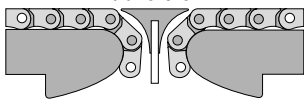
Standard material

NGE (GREY BLUE)

New Generation®

materials details:
73563a

Usually used on short conveyors with a Nose Bar to create extremely short transfers



page code: **30175a**

Chains & sprockets	Wear strips	Side guide brackets & accessories	Levelers	Engineering manual
Modular belts & sprockets	Chain & belt return systems	Frame & structure supports	Bearing supports	
Curves & tracks	Side guide solutions	Miscellaneous products	Equipment	

30030b

www.SystemPlastSmartGuide.com

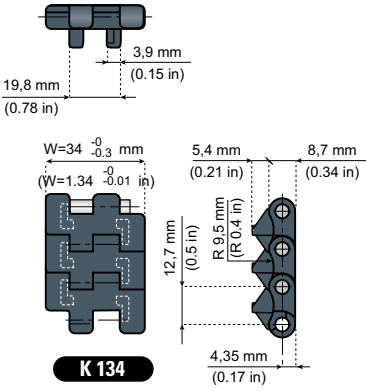
12,7 mm (½") MODULAR BELTS

SINGLE TRACK FLAT TOP WITH POSITIONERS



New
NG
evo

2124 versions: 34 mm (1.34 in) wide



NG® evo conveyor components made from engineered plastic resin

- Longer wearlife than acetal
- Lower friction than acetal
- Good chemical resistance
- High abrasion resistance
- It meets the requirement for materials as stated by EC1935/2004 and FDA CFR21 norms for direct food contact
- Less dust than with acetal chains
- More.....

Pin material: PBT (white)

ITEM DESCRIPTION	MATERIAL	WIDTH W		BACKFLEX RADIUS		MAX LOAD CAPACITY		WEIGHT	
		mm	in	mm	in	N	lbs	Kg/m	lbs/ft.
NGE2124FT-PT-K134	NGE Grey Blue	34	1.34	10	0.39	300	65	0,3	0.2



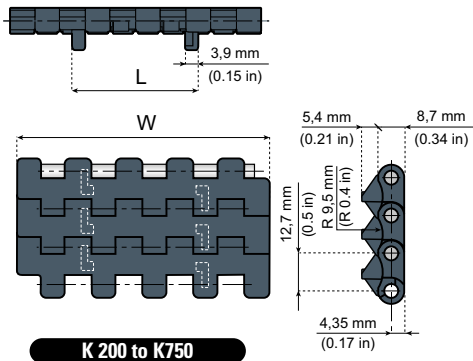
30165a

Information about this product is only available on our Smart Guide® website.

Standard length: 240 pitches (3,048 m - 10 ft.)

2120/2121 versions: 51-190,5 mm (2 & 7.5 in) wide

New
NG
evo



Pin material: PBT (white)

ITEM DESCRIPTION	MATERIAL	L		WIDTH W		BACKFLEX RADIUS		MAX LOAD CAPACITY		WEIGHT	
		mm	in	mm	in	mm	in	N	lbs	Kg/m	lbs/ft.
NGE2121FT-PT-K200	NGE Grey Blue	35,8	1.41	51	2	10	0.39	680	150	0,45	0.3
NGE2121FT-PT-K300		43,1	1.7	76,2	3			1370	300	0,7	0.47
NGE2121FT-PT-K325		43,1	1.7	82,6	3.25			1490	330	0,7	0.47
NGE2120FT-PT-K330		42,1	1.66	83,8	3.3			1490	330	0,7	0.47
NGE2121FT-PT-K450		43,1	1.7	114,3	4.5			2060	460	1	0.67
NGE2121FT-PT-K600		43,1	1.7	152,4	6			2750	610	1,3	0.87
NGE2121FT-PT-K750		43,1	1.7	190,5	7.5			3430	760	1,7	1.14



30160a

Standard length: 240 pitches (3,048 m - 10 ft.)

Notes:
Schematic presentation of all flat top 12,7 mm (½") pitch belts

Other versions for 12,7 mm (½") belts:

- FG Flush grid**
- VG Rubber insert**
- LBP (low pressure)**
- GB (Guide bar)**
- Sideflex**

Standard material
NGE (GREY BLUE)

New Generation®

materials details:
73563a

Information about this product is only available on our Smart Guide® website.

Chains & sprockets	Wear strips	Side guide brackets & accessories	Levelers	Engineering manual
Modular belts & sprockets	Chain & belt return systems	Frame & structure supports	Bearing supports	
Curves & tracks	Side guide solutions	Miscellaneous products	Equipment	

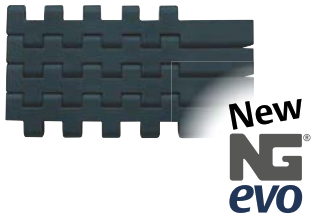


30045a

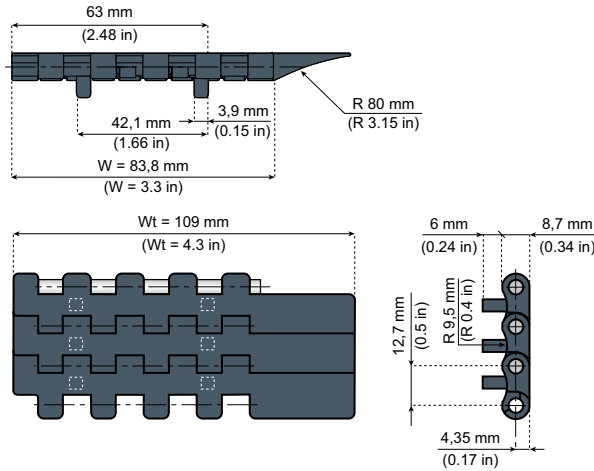
12,7 mm (½") 2120 WITH TRANSFER WING

www.SystemPlastSmartGuide.com

Single track



NG® evo conveyor components made from engineered plastic resin
 Longer wearlife than acetal
 Lower friction than acetal
 Good chemical resistance
 High abrasion resistance
 It meets the requirement for materials as stated by EC1935/2004 and FDA CFR21 norms for direct food contact
 Less dust than with acetal chains
 More.....

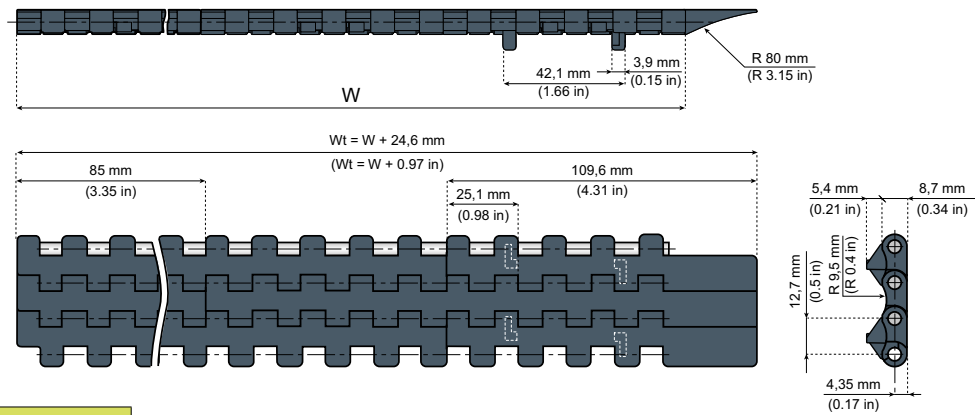
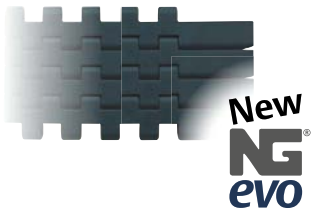


Pin material: PBT (white)

ITEM DESCRIPTION	MATERIAL	WIDTH W		PITCH P		BACKFLEX RADIUS		MAX LOAD CAPACITY		WEIGHT	
		mm	in	mm	in	mm	in	N	lbs	Kg/m	lbs/ft.
NGE2120FT-PT-K330T	NGE Grey Blue	83,8	3.3	12,7	0.5	15	0.59	1490	330	0,9	0.6

Standard length: 240 pitches (3,048 m - 10 ft.)

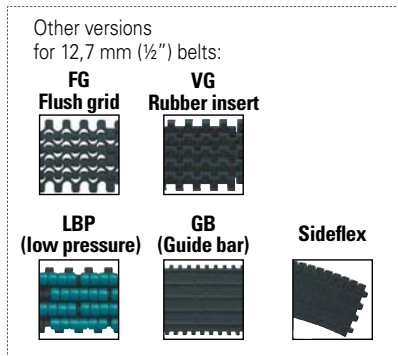
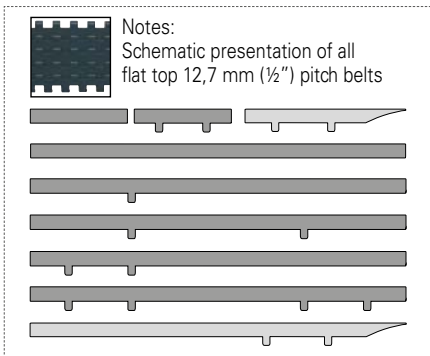
Wider versions



WIDTH W		ITEM DESCRIPTION
mm	in	
85	3.35	NGE2120FT-PT-M0085T
170	6.69	NGE2120FT-PT-M0170T
255	10.04	NGE2120FT-PT-M0255T
340	13.39	NGE2120FT-PT-M0340T
425	16.73	NGE2120FT-PT-M0425T
510	20.08	NGE2120FT-PT-M0510T

Backflex radius: 15 mm (0.59 in)
Max load capacity: 18000 N/m (1260 lbs/ft.)
Weight: 8,6 Kg/m² (1.75 lbs/ft.²)
Pin material: PBT (white)
Standard length:
 width ≤ 340 mm (13.39 in): 3,048 m (10 ft.)
 width > 340 mm (13.39 in): 1,524 m (5 ft.)

Other widths available on request.



Standard material
NGE (GREY BLUE)
 New Generation®

materials details:
73563a



Information about this product is only available on our Smart Guide® website.

Chains & sprockets	Wear strips	Side guide brackets & accessories	Levelers	Engineering manual
Modular belts & sprockets	Chain & belt return systems	Frame & structure supports	Bearing supports	
Curves & tracks	Side guide solutions	Miscellaneous products	Equipment	

30050a

12,7 mm (½") MODULAR BELTS 2120

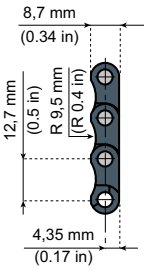
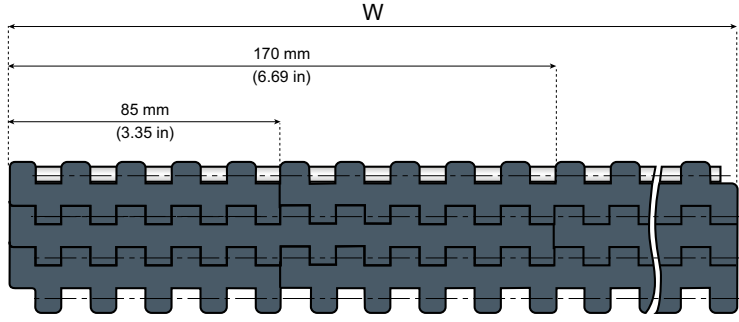
FLAT TOP VERSION

www.SystemPlastSmartGuide.com



New
NG evo

NG® evo conveyor components
made from engineered plastic resin
Longer wearlife than acetal
Lower friction than acetal
Good chemical resistance
High abrasion resistance
It meets the requirement for materials as stated by EC1935/2004 and FDA CFR21 norms for direct food contact
Less dust than with acetal chains
More.....



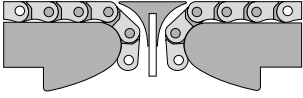
Backflex radius: 10 mm (0.39 in)
Max load capacity (LFG & LFB): 20000 N/m (1400 lbs/ft.)
Weight: 8,6 Kg/m² (1.75 lbs/ft.²)
Pin material: PBT (white)
Standard length:
width ≤ 340 mm (13.39 in): 3,048 m (10 ft.)
width > 340 mm (13.39 in) ≤ 1700 mm (66.93 in): 1,524 m (5 ft.)
width > 1700 mm (66.93 in): on request

Standard materials

NGE (GREY BLUE)	LFG (GREY)	LFB (BLUE)
New Generation®	Low friction acetal resin	

materials details: [73563a](#)

Usually used on short conveyors with a Nose Bar to create extremely short transfers



page code: **30175a**

Notes:
Schematic presentation of all flat top 12,7 mm (½") pitch belts

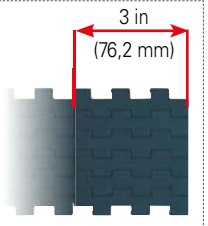
30160a



Information about this product is only available on our Smart Guide® website.

Other versions for 12,7 mm (½") belts:

FG Flush grid	VG Rubber insert
LBP (low pressure)	GB (Guide bar)
	Sideflex



Also available with 3 in (76,2 mm) modules. Go to:

30055a

WIDTH W		ITEM DESCRIPTION		
mm	in	NGE (GREY BLUE)	LFG (GREY)	LFB (BLUE)
85	3.35	NGE2120FT-M0085	LFG2120FT-M0085	LFB2120FT-M0085
170	6.69	NGE2120FT-M0170	LFG2120FT-M0170	LFB2120FT-M0170
255	10.04	NGE2120FT-M0255	LFG2120FT-M0255	LFB2120FT-M0255
340	13.39	NGE2120FT-M0340	LFG2120FT-M0340	LFB2120FT-M0340
425	16.73	NGE2120FT-M0425	LFG2120FT-M0425	LFB2120FT-M0425
510	20.08	NGE2120FT-M0510	LFG2120FT-M0510	LFB2120FT-M0510
595	23.43	NGE2120FT-M0595	LFG2120FT-M0595	LFB2120FT-M0595
680	26.77	NGE2120FT-M0680	LFG2120FT-M0680	LFB2120FT-M0680
765	30.12	NGE2120FT-M0765	LFG2120FT-M0765	LFB2120FT-M0765
850	33.46	NGE2120FT-M0850	LFG2120FT-M0850	LFB2120FT-M0850
935	36.81	NGE2120FT-M0935	LFG2120FT-M0935	LFB2120FT-M0935
1020	40.16	NGE2120FT-M1020	LFG2120FT-M1020	LFB2120FT-M1020
1105	43.50	NGE2120FT-M1105	LFG2120FT-M1105	LFB2120FT-M1105
1190	46.85	NGE2120FT-M1190	LFG2120FT-M1190	LFB2120FT-M1190
1275	50.20	NGE2120FT-M1275	LFG2120FT-M1275	LFB2120FT-M1275
1360	53.54	NGE2120FT-M1360	LFG2120FT-M1360	LFB2120FT-M1360
1445	56.89	NGE2120FT-M1445	LFG2120FT-M1445	LFB2120FT-M1445
1530	60.24	NGE2120FT-M1530	LFG2120FT-M1530	LFB2120FT-M1530
1615	63.58	NGE2120FT-M1615	LFG2120FT-M1615	LFB2120FT-M1615
1700	66.93	NGE2120FT-M1700	LFG2120FT-M1700	LFB2120FT-M1700
1785	70.28	NGE2120FT-M1785	LFG2120FT-M1785	LFB2120FT-M1785
1870	73.62	NGE2120FT-M1870	LFG2120FT-M1870	LFB2120FT-M1870
1955	76.97	NGE2120FT-M1955	LFG2120FT-M1955	LFB2120FT-M1955
2040	80.31	NGE2120FT-M2040	LFG2120FT-M2040	LFB2120FT-M2040
2125	83.66	NGE2120FT-M2125	LFG2120FT-M2125	LFB2120FT-M2125
2210	87.01	NGE2120FT-M2210	LFG2120FT-M2210	LFB2120FT-M2210
2295	90.35	NGE2120FT-M2295	LFG2120FT-M2295	LFB2120FT-M2295

Other widths available on request.

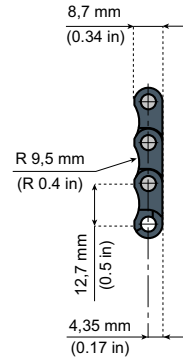
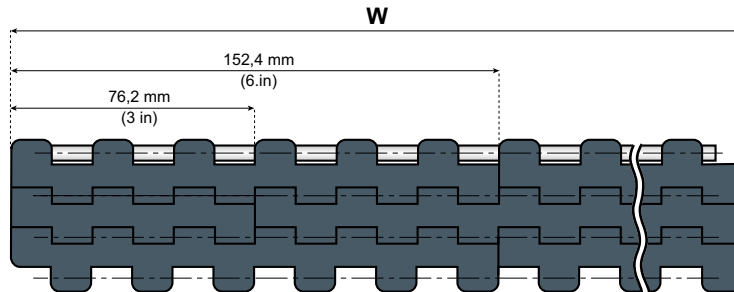
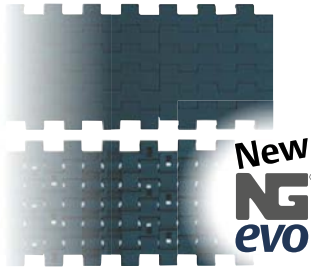
Chains & sprockets	Wear strips	Side guide brackets & accessories	Levelers	Engineering manual
Modular belts & sprockets	Chain & belt return systems	Frame & structure supports	Bearing supports	
Curves & tracks	Side guide solutions	Miscellaneous products	Equipment	

3 0 0 5 5 a

12,7 mm (½") MODULAR BELTS 2121

FLAT TOP VERSION - 76,2 mm (3") MODULES

www.SystemPlastSmartGuide.com

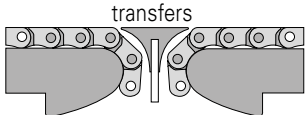


NG® evo conveyor components
made from engineered plastic resin

- Longer wearlife than acetal
- Lower friction than acetal
- Good chemical resistance
- High abrasion resistance
- It meets the requirement for materials as stated by EC1935/2004 and FDA CFR21 norms for direct food contact
- Less dust than with acetal chains
- More.....

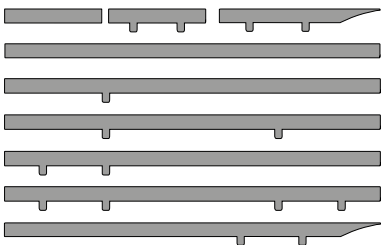
- Backflex radius:** 10 mm (0.4 in)
- Max load capacity:** 18000 N/m (1260 lbs/ft.)
- Weight:** 8,8 Kg/m² (1.8 lbs/ft.²)
- Pin material:** POM (grey)
- Standard length:**
 - width ≤ 15 in: 3,048 m (10 ft.)
 - width > 15 in ≤ 66 in: 1,524 m (5 ft.)
 - width > 66 in: on request

Usually used on short conveyors with a Nose Bar to create extremely short transfers

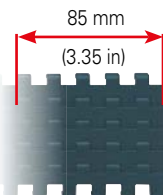
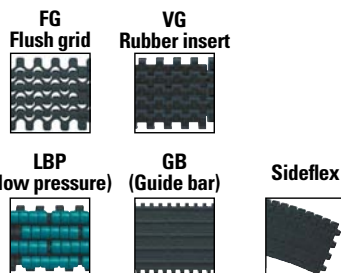


page code: **3 0 1 7 5 a**

Notes:
Schematic presentation of all flat top 12,7 mm (½") pitch belts



Other versions for 12,7 mm (½") belts:



Also available with 85 mm (3.35 in) modules. Go to:

3 0 0 5 0 a



Information about this product is only available on our Smart Guide® website.

Standard material

NGE (GREY BLUE)

New Generation®

materials details:

7 3 5 6 3 a

WIDTH W		ITEM DESCRIPTION
mm	in	
76	3.00	Go to: 3 0 0 3 0 a
152	6.00	
229	9.00	NGE2121FT-K900
305	12.00	NGE2121FT-K1200
381	15.00	NGE2121FT-K1500
457	18.00	NGE2121FT-K1800
533	21.00	NGE2121FT-K2100
610	24.00	NGE2121FT-K2400
686	27.00	NGE2121FT-K2700
762	30.00	NGE2121FT-K3000
838	33.00	NGE2121FT-K3300
914	36.00	NGE2121FT-K3600
991	39.00	NGE2121FT-K3900
1067	42.00	NGE2121FT-K4200
1143	45.00	NGE2121FT-K4500
1219	48.00	NGE2121FT-K4800
1295	51.00	NGE2121FT-K5100
1372	54.00	NGE2121FT-K5400
1448	57.00	NGE2121FT-K5700
1524	60.00	NGE2121FT-K6000
1600	63.00	NGE2121FT-K6300
1676	66.00	NGE2121FT-K6600
1753	69.00	NGE2121FT-K6900
1829	72.00	NGE2121FT-K7200
1905	75.00	NGE2121FT-K7500
1981	78.00	NGE2121FT-K7800
2057	81.00	NGE2121FT-K8100
2134	84.00	NGE2121FT-K8400

Other widths available on request.

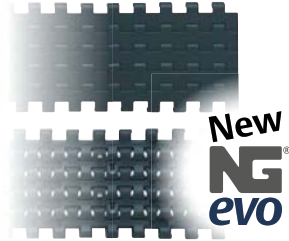
Chains & sprockets	Wear strips	Side guide brackets & accessories	Levelers	Engineering manual
Modular belts & sprockets	Chain & belt return systems	Frame & structure supports	Bearing supports	
Curves & tracks	Side guide solutions	Miscellaneous products	Equipment	

30060a

www.SystemPlastSmartGuide.com

12,7 mm (½") MODULAR BELTS 2120

FLAT TOP VERSION WITH POSITIONERS



NG® EVO conveyor components
made from engineered plastic resin

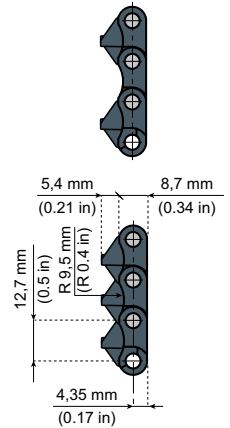
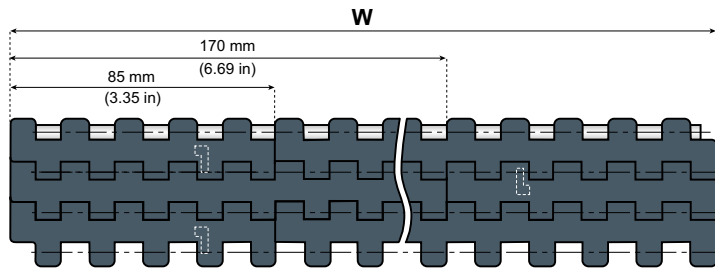
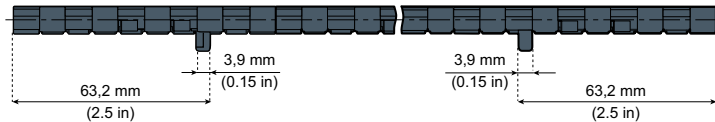
- Longer wearlife than acetal
- Lower friction than acetal
- Good chemical resistance
- High abrasion resistance

It meets the requirement for materials as stated by EC1935/2004 and FDA CFR21 norms for direct food contact
Less dust than with acetal chains
More.....

2120 FT-P



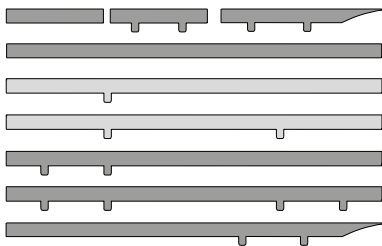
2120 FT-P2



Backflex radius: 10 mm (0.4 in)
Max load capacity: 20000 N/m (1400 lbs/ft.)
Weight: 8,6 Kg/m² (1.75 lbs/ft²)
Pin material: PBT (white)
Standard length:
width ≤ 340 mm (13.39 in): 3,048 m (10 ft.)
width > 340 mm (13.39 in) ≤ 1700 mm (66.93 in) : 1,524 m (5 ft.)
width > 1700 mm (66.93 in): on request



Notes:
Schematic presentation of all flat top 12,7 mm (½") pitch belts



30160a



Information about this product is only available on our Smart Guide® website.

Standard material

NGE (GREY BLUE)

New Generation®

materials details:

73563a



WIDTH W		ITEM DESCRIPTION	ITEM DESCRIPTION
mm	in		
85	3.35	NGE2120FT-P-M0085	-
170	6.69	NGE2120FT-P-M0170	NGE2120FT-P2-M0170
255	10.04	NGE2120FT-P-M0255	NGE2120FT-P2-M0255
340	13.39	NGE2120FT-P-M0340	NGE2120FT-P2-M0340
425	16.73	NGE2120FT-P-M0425	NGE2120FT-P2-M0425
510	20.08	NGE2120FT-P-M0510	NGE2120FT-P2-M0510
595	23.43	NGE2120FT-P-M0595	NGE2120FT-P2-M0595
680	26.77	NGE2120FT-P-M0680	NGE2120FT-P2-M0680
765	30.12	NGE2120FT-P-M0765	NGE2120FT-P2-M0765
850	33.46	NGE2120FT-P-M0850	NGE2120FT-P2-M0850
935	36.81	NGE2120FT-P-M0935	NGE2120FT-P2-M0935
1020	40.16	NGE2120FT-P-M1020	NGE2120FT-P2-M1020
1105	43.50	NGE2120FT-P-M1105	NGE2120FT-P2-M1105
1190	46.85	NGE2120FT-P-M1190	NGE2120FT-P2-M1190
1275	50.20	NGE2120FT-P-M1275	NGE2120FT-P2-M1275
1360	53.54	NGE2120FT-P-M1360	NGE2120FT-P2-M1360
1445	56.89	NGE2120FT-P-M1445	NGE2120FT-P2-M1445
1530	60.24	NGE2120FT-P-M1530	NGE2120FT-P2-M1530
1615	63.58	NGE2120FT-P-M1615	NGE2120FT-P2-M1615
1700	66.93	NGE2120FT-P-M1700	NGE2120FT-P2-M1700
1785	70.28	NGE2120FT-P-M1785	NGE2120FT-P2-M1785
1870	73.62	NGE2120FT-P-M1870	NGE2120FT-P2-M1870

Other widths available on request.

Chains & sprockets	Wear strips	Side guide brackets & accessories	Levelers	Engineering manual
Modular belts & sprockets	Chain & belt return systems	Frame & structure supports	Bearing supports	
Curves & tracks	Side guide solutions	Miscellaneous products	Equipment	

30060b

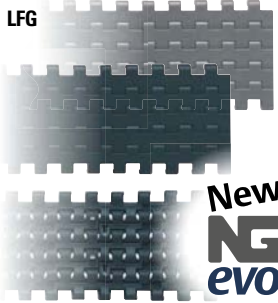
12,7 mm (½") MODULAR BELTS 2120

FLAT TOP VERSION WITH TWIN POSITIONERS

www.SystemPlastSmartGuide.com



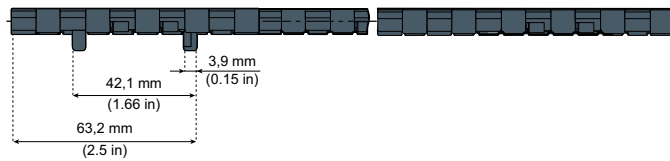
LFG



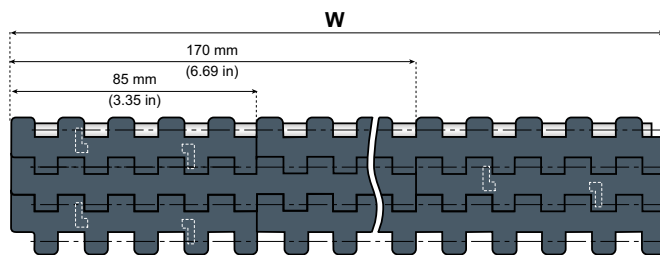
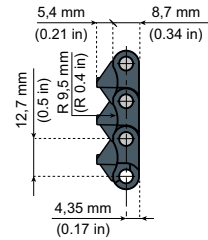
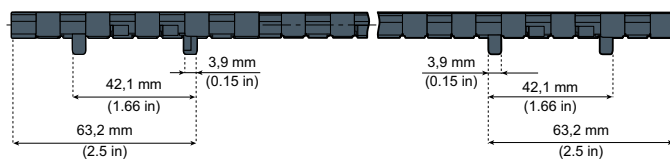
New
NG evo

NG® evo conveyor components
made from **engineered plastic resin**
Longer wearlife than acetal
Lower friction than acetal
Good chemical resistance
High abrasion resistance
It meets the requirement for materials as stated by EC1935/2004 and FDA CFR21 norms for direct food contact
Less dust than with acetal chains
More.....

2120 FT-PT

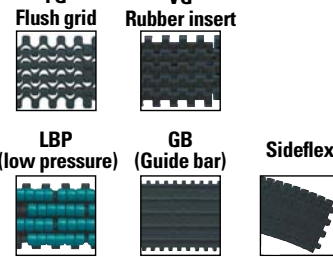


2120FT-PT2



- Backflex radius:** 10 mm (0.4 in)
- Max load capacity (LFG):** 20000 N/m (1400 lbs/ft.)
- Weight:** 8,6 Kg/m² (1.75 lbs/ft².)
- Pin material:** PBT (white)
- Standard length:**
 - width ≤ 340 mm (13.39 in): 3,048 m (10 ft.)
 - width > 340 mm (13.39 in) ≤ 1700 mm (66.93 in): 1,524 m (5 ft.)
 - width > 1700 mm (66.93 in): on request

Other versions for 12,7 mm (½") belts:



Notes:
Schematic presentation of all flat top 12,7 mm (½") pitch belts

30160a



Information about this product is only available on our Smart Guide® website.

Standard material

NGE (GREY BLUE)

New Generation®

LFG (GREY)

Low friction acetal resin

materials details:

73563a

WIDTH W		ITEM DESCRIPTION	
mm	in	NGE (GREY BLUE)	LFG (GREY)
85	3.35	NGE2120FT-PT-M0085	LFG2120FT-PT-M0085
170	6.69	NGE2120FT-PT-M0170	LFG2120FT-PT-M0170
255	10.04	NGE2120FT-PT-M0255	LFG2120FT-PT-M0255
340	13.39	NGE2120FT-PT-M0340	LFG2120FT-PT-M0340
425	16.73	NGE2120FT-PT-M0425	LFG2120FT-PT-M0425
510	20.08	NGE2120FT-PT-M0510	LFG2120FT-PT-M0510
595	23.43	NGE2120FT-PT-M0595	LFG2120FT-PT-M0595
680	26.77	NGE2120FT-PT-M0680	LFG2120FT-PT-M0680
765	30.12	NGE2120FT-PT-M0765	LFG2120FT-PT-M0765
850	33.46	NGE2120FT-PT-M0850	LFG2120FT-PT-M0850
935	36.81	NGE2120FT-PT-M0935	LFG2120FT-PT-M0935
1020	40.16	NGE2120FT-PT-M1020	LFG2120FT-PT-M1020
1105	43.50	NGE2120FT-PT-M1105	LFG2120FT-PT-M1105
1190	46.85	NGE2120FT-PT-M1190	LFG2120FT-PT-M1190
1275	50.20	NGE2120FT-PT-M1275	LFG2120FT-PT-M1275
1360	53.54	NGE2120FT-PT-M1360	LFG2120FT-PT-M1360
1445	56.89	NGE2120FT-PT-M1445	LFG2120FT-PT-M1445
1530	60.24	NGE2120FT-PT-M1530	LFG2120FT-PT-M1530
1615	63.58	NGE2120FT-PT-M1615	LFG2120FT-PT-M1615
1700	66.93	NGE2120FT-PT-M1700	LFG2120FT-PT-M1700
1785	70.28	NGE2120FT-PT-M1785	LFG2120FT-PT-M1785
1870	73.62	NGE2120FT-PT-M1870	LFG2120FT-PT-M1870

ITEM DESCRIPTION	
NGE (GREY BLUE)	LFG (GREY)
-	-
NGE2120FT-PT2-M0170	LFG2120FT-PT2-M0170
NGE2120FT-PT2-M0255	LFG2120FT-PT2-M0255
NGE2120FT-PT2-M0340	LFG2120FT-PT2-M0340
NGE2120FT-PT2-M0425	LFG2120FT-PT2-M0425
NGE2120FT-PT2-M0510	LFG2120FT-PT2-M0510
NGE2120FT-PT2-M0595	LFG2120FT-PT2-M0595
NGE2120FT-PT2-M0680	LFG2120FT-PT2-M0680
NGE2120FT-PT2-M0765	LFG2120FT-PT2-M0765
NGE2120FT-PT2-M0850	LFG2120FT-PT2-M0850
NGE2120FT-PT2-M0935	LFG2120FT-PT2-M0935
NGE2120FT-PT2-M1020	LFG2120FT-PT2-M1020
NGE2120FT-PT2-M1105	LFG2120FT-PT2-M1105
NGE2120FT-PT2-M1190	LFG2120FT-PT2-M1190
NGE2120FT-PT2-M1275	LFG2120FT-PT2-M1275
NGE2120FT-PT2-M1360	LFG2120FT-PT2-M1360
NGE2120FT-PT2-M1445	LFG2120FT-PT2-M1445
NGE2120FT-PT2-M1530	LFG2120FT-PT2-M1530
NGE2120FT-PT2-M1615	LFG2120FT-PT2-M1615
NGE2120FT-PT2-M1700	LFG2120FT-PT2-M1700
NGE2120FT-PT2-M1785	LFG2120FT-PT2-M1785
NGE2120FT-PT2-M1870	LFG2120FT-PT2-M1870

Other widths available on request.

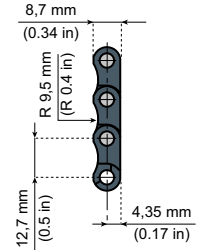
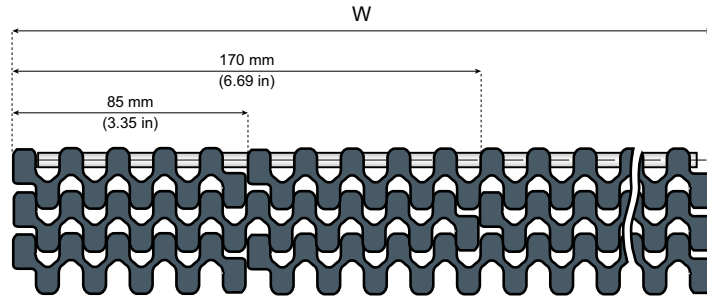
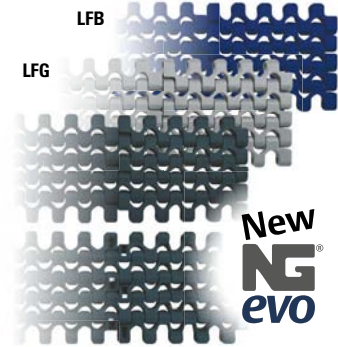
Chains & sprockets	Wear strips	Side guide brackets & accessories	Levelers	Engineering manual
Modular belts & sprockets	Chain & belt return systems	Frame & structure supports	Bearing supports	
Curves & tracks	Side guide solutions	Miscellaneous products	Equipment	

30070a

www.SystemPlastSmartGuide.com

12,7 mm (½") MODULAR BELTS 2120

FLUSH GRID VERSION - 85 mm (3.35 in) MODULES



NG® evo conveyor components
made from engineered plastic resin
Longer wearlife than acetal
Lower friction than acetal
Good chemical resistance
High abrasion resistance
It meets the requirement for materials as stated by EC1935/2004 and FDA CFR21 norms for direct food contact
Less dust than with acetal chains
More.....

Backflex radius: 10 mm (0.39 in)

Max load capacity (LFG & LFB): 20000 N/m (1400 lbs/ft.)

Weight: 7,4 Kg/m² (1.51 lbs/ft².)

Pin material: PBT (white)

Standard length:

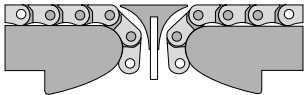
width ≤ 340 mm (13.39 in): 3,048 m (10 ft.)

width > 340 mm (13.39 in) ≤ 1700 mm (66.93 in) : 1,524 m (5 ft.)

width > 1700 mm (66.93 in): on request

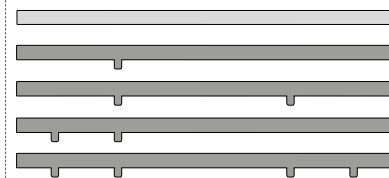
Open surface: 21%

Usually used on short conveyors with a Nose Bar to create extremely short transfers

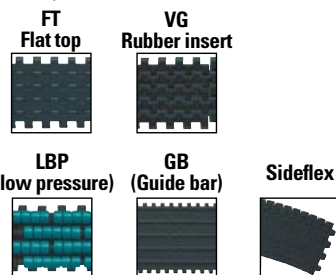


page code: **30175a**

Notes:
Schematic presentation of all flush grid 12,7 mm (½") pitch belts



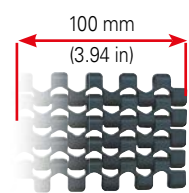
Other versions for 12,7 mm (½") belts:



30160a



Information about this product is only available on our Smart Guide® website.



Also available with 100 mm (3.94 in) modules. Go to:

30073a

Standard materials

NGE (GREY BLUE)	LFG (GREY)	LFB (BLUE)
New Generation®	Low friction acetal resin	

materials details:

73563a

WIDTH W		ITEM DESCRIPTION		
mm	in	NGE (GREY BLUE)	LFG (GREY)	LFB (BLUE)
85	3.35	NGE2120FG-M0085	LFG2120FG-M0085	LFB2120FG-M0085
170	6.69	NGE2120FG-M0170	LFG2120FG-M0170	LFB2120FG-M0170
255	10.04	NGE2120FG-M0255	LFG2120FG-M0255	LFB2120FG-M0255
340	13.39	NGE2120FG-M0340	LFG2120FG-M0340	LFB2120FG-M0340
425	16.73	NGE2120FG-M0425	LFG2120FG-M0425	LFB2120FG-M0425
510	20.08	NGE2120FG-M0510	LFG2120FG-M0510	LFB2120FG-M0510
595	23.43	NGE2120FG-M0595	LFG2120FG-M0595	LFB2120FG-M0595
680	26.77	NGE2120FG-M0680	LFG2120FG-M0680	LFB2120FG-M0680
765	30.12	NGE2120FG-M0765	LFG2120FG-M0765	LFB2120FG-M0765
850	33.46	NGE2120FG-M0850	LFG2120FG-M0850	LFB2120FG-M0850
935	36.81	NGE2120FG-M0935	LFG2120FG-M0935	LFB2120FG-M0935
1020	40.16	NGE2120FG-M1020	LFG2120FG-M1020	LFB2120FG-M1020
1105	43.50	NGE2120FG-M1105	LFG2120FG-M1105	LFB2120FG-M1105
1190	46.85	NGE2120FG-M1190	LFG2120FG-M1190	LFB2120FG-M1190
1275	50.20	NGE2120FG-M1275	LFG2120FG-M1275	LFB2120FG-M1275
1360	53.54	NGE2120FG-M1360	LFG2120FG-M1360	LFB2120FG-M1360
1445	56.89	NGE2120FG-M1445	LFG2120FG-M1445	LFB2120FG-M1445
1530	60.24	NGE2120FG-M1530	LFG2120FG-M1530	LFB2120FG-M1530
1615	63.58	NGE2120FG-M1615	LFG2120FG-M1615	LFB2120FG-M1615
1700	66.93	NGE2120FG-M1700	LFG2120FG-M1700	LFB2120FG-M1700
1785	70.28	NGE2120FG-M1785	LFG2120FG-M1785	LFB2120FG-M1785
1870	73.62	NGE2120FG-M1870	LFG2120FG-M1870	LFB2120FG-M1870
1955	76.97	NGE2120FG-M1955	LFG2120FG-M1955	LFB2120FG-M1955
2040	80.31	NGE2120FG-M2040	LFG2120FG-M2040	LFB2120FG-M2040
2125	83.66	NGE2120FG-M2125	LFG2120FG-M2125	LFB2120FG-M2125
2210	87.01	NGE2120FG-M2210	LFG2120FG-M2210	LFB2120FG-M2210
2295	90.35	NGE2120FG-M2295	LFG2120FG-M2295	LFB2120FG-M2295

Other widths available on request.

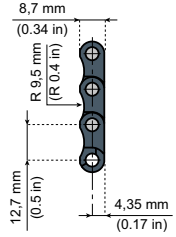
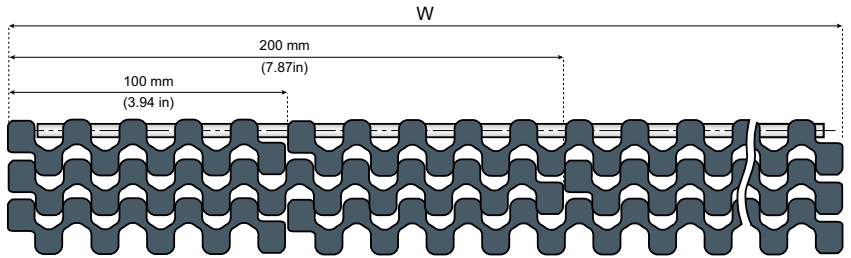
Chains & sprockets	Wear strips	Side guide brackets & accessories	Levelers	Engineering manual
Modular belts & sprockets	Chain & belt return systems	Frame & structure supports	Bearing supports	
Curves & tracks	Side guide solutions	Miscellaneous products	Equipment	

3 0 0 7 3 a

12,7 mm (½") MODULAR BELTS 2122

FLUSH GRID VERSION - 100 mm MODULES (3.94 in)

www.SystemPlastSmartGuide.com



NG® evo conveyor components
made from engineered plastic resin

- Longer wearlife than acetal
- Lower friction than acetal
- Good chemical resistance
- High abrasion resistance
- It meets the requirement for materials as stated by EC1935/2004 and FDA CFR21 norms for direct food contact
- Less dust than with acetal chains
- More.....

- Backflex radius:** 10 mm (0.39 in)
- Max load capacity:** 18000 N/m (1260 lbs/ft.)
- Weight:** 6,8 Kg/m² (1.39 lbs/ft².)
- Pin material:** PBT (white)
- Standard length:**
 - width ≤ 400 mm (15.75 in): 3,048 m (10 ft.)
 - width > 400 mm (15.75 in) ≤ 1700 mm (66.93 in) : 1,524 m (5 ft.)
 - width > 1700 mm (66.93 in): on request
- Open surface: 21%.**
- 2122 FG belts are similar to 2120FG belts. The difference is the width of the modules.**
- Standard increments are 100 mm (3.94 in).**
- Special widths can be created on request in steps of 20 mm (0.79 in).**



Also available with 85 mm (3.35 in) modules. Go to:

3 0 0 7 0 a

Information about this product is only available on our Smart Guide® website.

Standard material

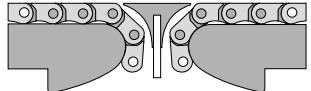
NGE (GREY BLUE)

New Generation®

materials details:

7 3 5 6 3 a

Usually used on short conveyors with a Nose Bar to create extremely short transfers



page code: **3 0 1 7 5 a**

Notes:
Schematic presentation of all flush grid 12,7 mm (½") pitch belts

Other versions for 12,7 mm (½") belts:

- FT Flat top**
- VG Rubber insert**
- LBP (low pressure)**
- GB (Guide bar)**
- Sideflex**

WIDTH W		ITEM DESCRIPTION
mm	in	
100	3.94	NGE2122FG-M0100
200	7.87	NGE2122FG-M0200
300	11.81	NGE2122FG-M0300
400	15.75	NGE2122FG-M0400
500	19.69	NGE2122FG-M0500
600	23.62	NGE2122FG-M0600
700	27.56	NGE2122FG-M0700
800	31.50	NGE2122FG-M0800
900	35.43	NGE2122FG-M0900
1000	39.37	NGE2122FG-M1000
1100	43.30	NGE2122FG-M1100
1200	47.24	NGE2122FG-M1200
1300	51.18	NGE2122FG-M1300
1400	55.12	NGE2122FG-M1400
1500	59.06	NGE2122FG-M1500
1600	62.99	NGE2122FG-M1600
1700	66.93	NGE2122FG-M1700
1800	70.87	NGE2122FG-M1800
1900	74.80	NGE2122FG-M1900
2000	78.74	NGE2122FG-M2000
2100	82.68	NGE2122FG-M2100

Other widths available on request.

Chains & sprockets	Wear strips	Side guide brackets & accessories	Levelers	Engineering manual
Modular belts & sprockets	Chain & belt return systems	Frame & structure supports	Bearing supports	
Curves & tracks	Side guide solutions	Miscellaneous products	Equipment	

30075a

12,7 mm (1/2") MODULAR BELTS 2120

FLUSH GRID VERSION WITH POSITIONERS

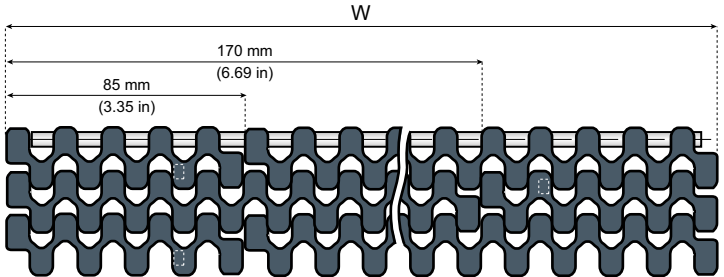
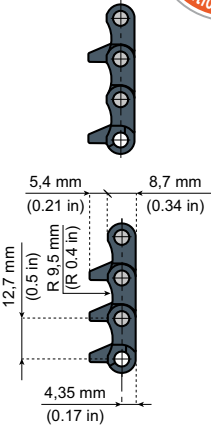
www.SystemPlastSmartGuide.com



2120FG-P



2120FG-P2



NG®evo conveyor components
made from engineered plastic resin
 Longer wearlife than acetal
 Lower friction than acetal
 Good chemical resistance
 High abrasion resistance
 It meets the requirement for materials as stated by EC1935/2004 and FDA CFR21 norms for direct food contact
 Less dust than with acetal chains
 More.....

- Backflex radius:** 10 mm (0.39 in)
- Max load capacity:** 18000 N/m (1260 lbs/ft.)
- Weight:** 7,4 Kg/m² (1.51 lbs/ft².)
- Pin material:** PBT (white)
- Standard length:**
 - width ≤ 340 mm (13.39 in) : 3,048 m (10 ft.)
 - width > 340 mm (13.39 in) ≤ 1700 mm (66.93 in) : 1,524 m (5 ft.)
 - width > 1700 mm (66.93 in) : on request
- Open surface:** 21%

Notes:
 Schematic presentation of all flush grid 12,7 mm (1/2") pitch belts

Other versions for 12,7 mm (1/2") belts:

- FT Flat top**
- VG Rubber insert**
- LBP (low pressure)**
- GB (Guide bar)**
- Sideflex**



Information about this product is only available on our Smart Guide® website.

Standard material
NGE (GREY BLUE)
 New Generation®
 materials details:
73563a

WIDTH W		ITEM DESCRIPTION	ITEM DESCRIPTION
mm	in		
85	3.35	NGE2120FG-P-M0085	-
170	6.69	NGE2120FG-P-M0170	NGE2120FG-P2-M0170
255	10.04	NGE2120FG-P-M0255	NGE2120FG-P2-M0255
340	13.39	NGE2120FG-P-M0340	NGE2120FG-P2-M0340
425	16.73	NGE2120FG-P-M0425	NGE2120FG-P2-M0425
510	20.08	NGE2120FG-P-M0510	NGE2120FG-P2-M0510
595	23.43	NGE2120FG-P-M0595	NGE2120FG-P2-M0595
680	26.77	NGE2120FG-P-M0680	NGE2120FG-P2-M0680
765	30.12	NGE2120FG-P-M0765	NGE2120FG-P2-M0765
850	33.46	NGE2120FG-P-M0850	NGE2120FG-P2-M0850
935	36.81	NGE2120FG-P-M0935	NGE2120FG-P2-M0935
1020	40.16	NGE2120FG-P-M1020	NGE2120FG-P2-M1020
1105	43.50	NGE2120FG-P-M1105	NGE2120FG-P2-M1105
1190	46.85	NGE2120FG-P-M1190	NGE2120FG-P2-M1190
1275	50.20	NGE2120FG-P-M1275	NGE2120FG-P2-M1275
1360	53.54	NGE2120FG-P-M1360	NGE2120FG-P2-M1360
1445	56.89	NGE2120FG-P-M1445	NGE2120FG-P2-M1445
1530	60.24	NGE2120FG-P-M1530	NGE2120FG-P2-M1530
1615	63.58	NGE2120FG-P-M1615	NGE2120FG-P2-M1615
1700	66.93	NGE2120FG-P-M1700	NGE2120FG-P2-M1700
1785	70.28	NGE2120FG-P-M1785	NGE2120FG-P2-M1785
1870	73.62	NGE2120FG-P-M1870	NGE2120FG-P2-M1870

Other widths available on request.

Chains & sprockets	Wear strips	Side guide brackets & accessories	Levelers	Engineering manual
Modular belts & sprockets	Chain & belt return systems	Frame & structure supports	Bearing supports	
Curves & tracks	Side guide solutions	Miscellaneous products	Equipment	

30075b

www.SystemPlastSmartGuide.com

12,7 mm (½") MODULAR BELTS 2120

FLUSH GRID VERSION WITH TWIN POSITIONERS

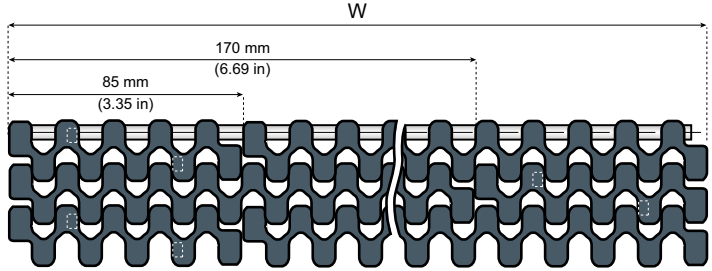
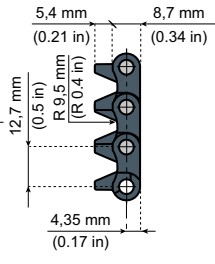


NG® evo conveyor components
made from engineered plastic resin
 Longer wearlife than acetal
 Lower friction than acetal
 Good chemical resistance
 High abrasion resistance
 It meets the requirement for materials as stated by EC1935/2004 and FDA CFR21 norms for direct food contact
 Less dust than with acetal chains
 More.....

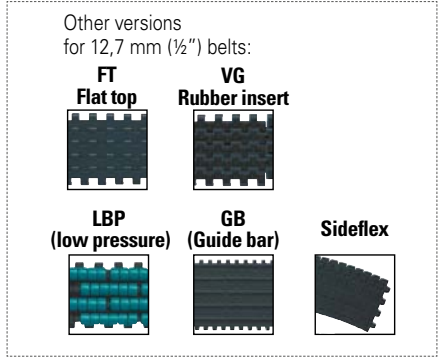
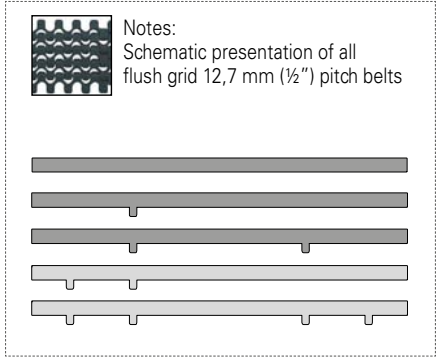
2120FG-PT



2120FG-PT2



Backflex radius: 10 mm (0.39 in)
Max load capacity: 18000 N/m (1260 lbs/ft.)
Weight: 7,4 Kg/m² (1.51 lbs/ft²).
Pin material: PBT (white)
Standard length:
 width ≤ 340 mm (13.39 in): 3,048 m (10 ft.)
 width > 340 mm (13.39 in) ≤ 1700 mm (66.93 in) : 1,524 m (5 ft.)
 width > 1700 mm (66.93 in): on request
Open surface: 21%



Information about this product is only available on our Smart Guide® website.

Standard material
NGE (GREY BLUE)
 New Generation®

materials details:
73563a

WIDTH W		ITEM DESCRIPTION	ITEM DESCRIPTION
mm	in		
85	3.35	NGE2120FG-PT-M0085	-
170	6.69	NGE2120FG-PT-M0170	NGE2120FG-PT2-M0170
255	10.04	NGE2120FG-PT-M0255	NGE2120FG-PT2-M0255
340	13.39	NGE2120FG-PT-M0340	NGE2120FG-PT2-M0340
425	16.73	NGE2120FG-PT-M0425	NGE2120FG-PT2-M0425
510	20.08	NGE2120FG-PT-M0510	NGE2120FG-PT2-M0510
595	23.43	NGE2120FG-PT-M0595	NGE2120FG-PT2-M0595
680	26.77	NGE2120FG-PT-M0680	NGE2120FG-PT2-M0680
765	30.12	NGE2120FG-PT-M0765	NGE2120FG-PT2-M0765
850	33.46	NGE2120FG-PT-M0850	NGE2120FG-PT2-M0850
935	36.81	NGE2120FG-PT-M0935	NGE2120FG-PT2-M0935
1020	40.16	NGE2120FG-PT-M1020	NGE2120FG-PT2-M1020
1105	43.50	NGE2120FG-PT-M1105	NGE2120FG-PT2-M1105
1190	46.85	NGE2120FG-PT-M1190	NGE2120FG-PT2-M1190
1275	50.20	NGE2120FG-PT-M1275	NGE2120FG-PT2-M1275
1360	53.54	NGE2120FG-PT-M1360	NGE2120FG-PT2-M1360
1445	56.89	NGE2120FG-PT-M1445	NGE2120FG-PT2-M1445
1530	60.24	NGE2120FG-PT-M1530	NGE2120FG-PT2-M1530
1615	63.58	NGE2120FG-PT-M1615	NGE2120FG-PT2-M1615
1700	66.93	NGE2120FG-PT-M1700	NGE2120FG-PT2-M1700
1785	70.28	NGE2120FG-PT-M1785	NGE2120FG-PT2-M1785
1870	73.62	NGE2120FG-PT-M1870	NGE2120FG-PT2-M1870

Other widths available on request.

Chains & sprockets	Wear strips	Side guide brackets & accessories	Levelers	Engineering manual
Modular belts & sprockets	Chain & belt return systems	Frame & structure supports	Bearing supports	
Curves & tracks	Side guide solutions	Miscellaneous products	Equipment	

30090a

12,7 mm (1/2") MODULAR BELTS

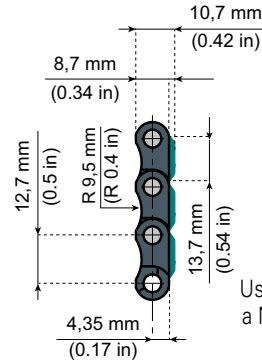
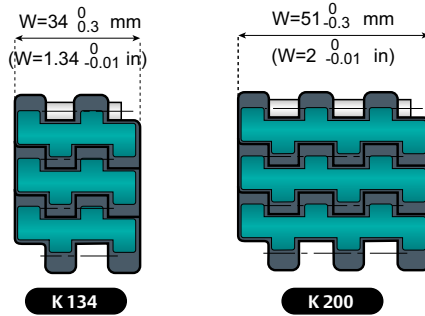
RUBBER INSERT



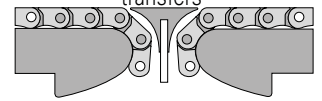
New NG evo

NG® evo conveyor components made from engineered plastic resin
 Longer wearlife than acetal
 Lower friction than acetal
 Good chemical resistance
 High abrasion resistance
 It meets the requirement for materials as stated by EC1935/2004 and FDA CFR21 norms for direct food contact
 Less dust than with acetal chains
 More.....

Single track



Usually used on short conveyors with a Nose Bar to create extremely short transfers



page code: **30175a**



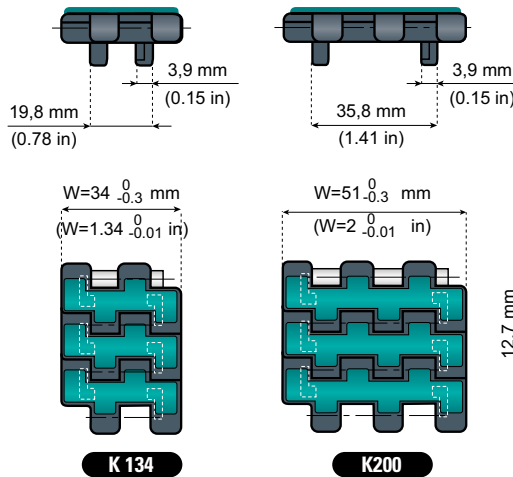
Rubber material: thermoplastic rubber, water blue color, 75 shore A. **Pin material:** PBT (white)

ITEM DESCRIPTION	MATERIAL	WIDTH W		PITCH P		BACKFLEX RADIUS		MAX LOAD CAPACITY		WEIGHT	
		mm	in	mm	in	mm	in	N	lbs	Kg/m	lbs/ft.
NGE2124FT-K134VG	NGE Grey Blue	34	1.34	12,7	0.5	20	0.79	300	65	0,4	0.27
NGE2121FT-K200VG		51	2	12,7	0.5	20	0.79	680	150	0,55	0.37

Standard length: 240 pitches (3,048 m - 5 ft.)

Single track with positioners

New NG evo



For belts **2121 FT**

30160a



For belts **2124 FT**

30165a

Information about this product is only available on our Smart Guide® website.

ITEM DESCRIPTION	MATERIAL	WIDTH W		PITCH P		BACKFLEX RADIUS		MAX LOAD CAPACITY		WEIGHT	
		mm	in	mm	in	mm	in	N	lbs	Kg/m	lbs/ft.
NGE2124FT-PT-K134VG	NGE Grey Blue	34	1.34	12,7	0.5	20	0.79	300	65	0,4	0.27
NGE2121FT-PT-K200VG		51	2	12,7	0.5	20	0.79	680	150	0,55	0.37

Standard length: 240 pitches (3,048 m - 5 ft.)

Standard material

NGE (GREY BLUE)

New Generation®

materials details:

73563a

TPR (WATER BLUE)

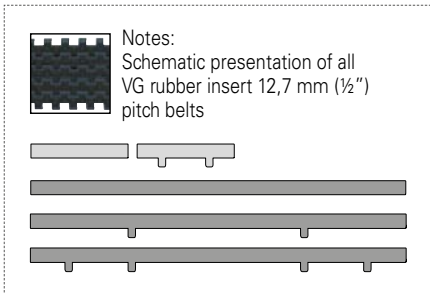
Thermoplastic rubber

materials details:

73570a



Information about this product is only available on our Smart Guide® website.



Other versions for 12,7 mm (1/2") belts:

FT

Flat top



FG

Flush grid



LBP

(low pressure)



GB

(Guide bar)



Sideflex



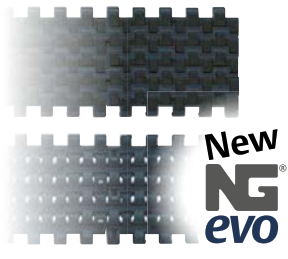
Chains & sprockets	Wear strips	Side guide brackets & accessories	Levelers	Engineering manual
Modular belts & sprockets	Chain & belt return systems	Frame & structure supports	Bearing supports	
Curves & tracks	Side guide solutions	Miscellaneous products	Equipment	

30100a

www.SystemPlastSmartGuide.com

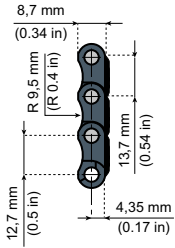
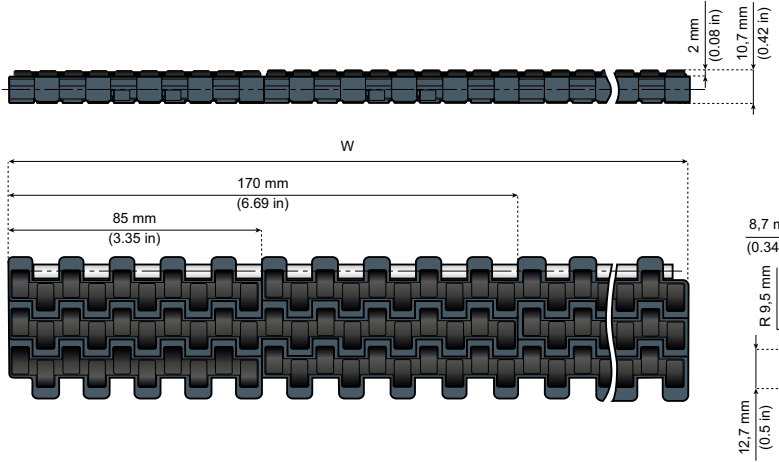
12,7 mm (½") MODULAR BELTS

RUBBER INSERT EVERY PITCH



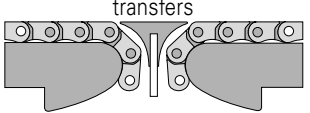
New
NG^{evo}

NG^{evo} conveyor components
made from **engineered plastic resin**
Longer wearlife than acetal
Lower friction than acetal
Good chemical resistance
High abrasion resistance
It meets the requirement for materials as stated by EC1935/2004 and FDA CFR21 norms for direct food contact
Less dust than with acetal chains
More.....



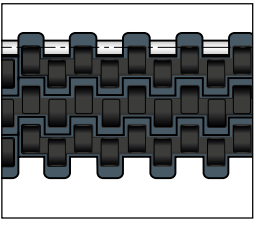
- Belt material:** grey blue colour
- Rubber material:** thermoplastic rubber, black colour, 50 shore A.
- Backflex radius:** 20 mm (0.8 in)
- Max load capacity:** 18000 N/m (1260 lbs/ft.)
- Pin material:** PBT (white)
- Standard length:**
 - width ≤ 340 mm (13.39 in) : 3,048 m (10 ft.)
 - width > 340 mm (13.39 in) ≤ 1700 mm (66.93 in) : 1,524 m (5 ft.)
 - width > 1700 mm (66.93 in) : on request

Usually used on short conveyors with a Nose Bar to create extremely short transfers



page code: **30175a**

VG 2120 Insert every pitch



Weight:
9,7 Kg/m² (1.98 lbs/ft².)

WIDTH W		ITEM DESCRIPTION
mm	in	
85	3.35	NGE2120FT-M0085VG50
170	6.69	NGE2120FT-M0170VG50
255	10.04	NGE2120FT-M0255VG50
340	13.39	NGE2120FT-M0340VG50
425	16.73	NGE2120FT-M0425VG50
510	20.08	NGE2120FT-M0510VG50
595	23.43	NGE2120FT-M0595VG50
680	26.77	NGE2120FT-M0680VG50
765	30.12	NGE2120FT-M0765VG50
850	33.46	NGE2120FT-M0850VG50
935	36.81	NGE2120FT-M0935VG50
1020	40.16	NGE2120FT-M1020VG50
1105	43.50	NGE2120FT-M1105VG50
1190	46.85	NGE2120FT-M1190VG50
1275	50.20	NGE2120FT-M1275VG50
1360	53.54	NGE2120FT-M1360VG50
1445	56.89	NGE2120FT-M1445VG50
1530	60.24	NGE2120FT-M1530VG50
1615	63.58	NGE2120FT-M1615VG50
1700	66.93	NGE2120FT-M1700VG50
1785	70.28	NGE2120FT-M1785VG50
1870	73.62	NGE2120FT-M1870VG50
1955	76.97	NGE2120FT-M1955VG50
2040	80.31	NGE2120FT-M2040VG50

Other widths available on request.

Notes:
Schematic presentation of all VG rubber insert 12,7 mm (½") pitch belts

Information about this product is only available on our Smart Guide® website.

30160a

Standard material
NGE (GREY BLUE)
New Generation®

materials details:
73563a

TPR (BLACK)
Thermoplastic rubber

materials details:
73570a

For insert every 2nd or 3th pitch, go to:
30100b

Also available with side indent. Go to:
30105a

Other versions for 12,7 mm (½") belts:

- FT Flat top**
- FG Flush grid**
- LBP (low pressure)**
- GB (Guide bar)**
- Sideflex**

Chains & sprockets	Wear strips	Side guide brackets & accessories	Levelers	Engineering manual
Modular belts & sprockets	Chain & belt return systems	Frame & structure supports	Bearing supports	
Curves & tracks	Side guide solutions	Miscellaneous products	Equipment	

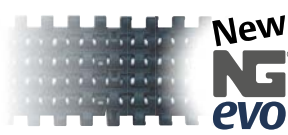


30100b

www.SystemPlastSmartGuide.com

12,7 mm (½") MODULAR BELTS

RUBBER INSERT EVERY 2nd & 3th PITCH



NG® evo conveyor components made from engineered plastic resin

- Longer wearlife than acetal
- Lower friction than acetal
- Good chemical resistance
- High abrasion resistance
- It meets the requirement for materials as stated by EC1935/2004 and FDA CFR21 norms for direct food contact
- Less dust than with acetal chains
- More.....

Belt material: grey blue colour

Rubber material: thermoplastic rubber, black colour, 50 shore A.

Backflex radius: 20 mm (0.8 in)

Max load capacity: 18000 N/m (1260 lbs/ft.)

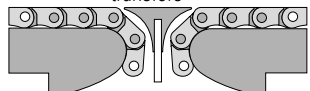
Pin material: PBT (white)

Standard length:

- width ≤ 340 mm (13.39 in): 3,048 m (10 ft.)
- width > 340 mm (13.39 in) ≤ 1700 mm (66.93 in): 1,524 m (5 ft.)
- width > 1700 mm (66.93 in): on request

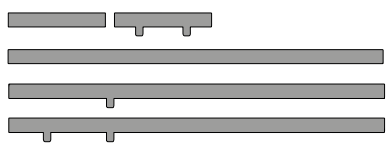
30160a

Usually used on short conveyors with a Nose Bar to create extremely short transfers

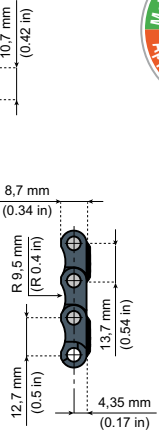
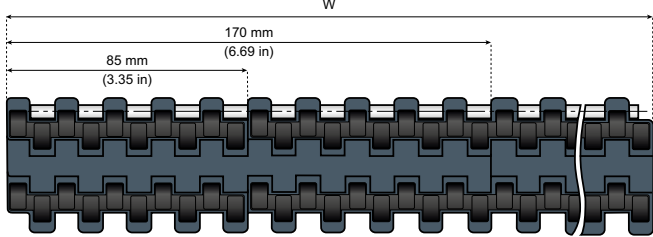
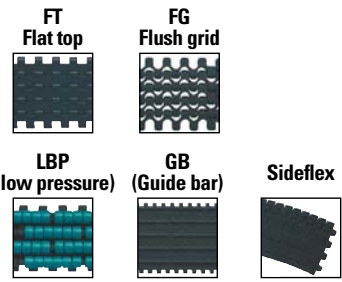


page code: **30175a**

Notes:
Schematic presentation of all VG rubber insert 12,7 mm (½") pitch belts



Other versions for 12,7 mm (½") belts:



Information about this product is only available on our Smart Guide® website.

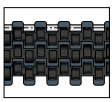
Standard material

NGE (GREY BLUE)
New Generation®

materials details:
73563a

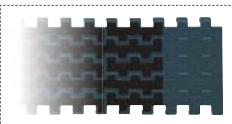
TPR (BLACK)
Thermoplastic rubber

materials details:
73570a



For every insert, go to:

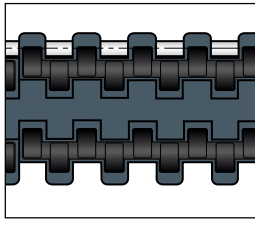
30100a



Also available with side indent. Go to:

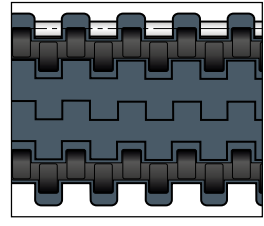
30105a

VG2 2120 Insert every 2nd pitch



Weight:
9,2 Kg/m² (1.88 lbs/ft².)

VG3 2120 Insert every 3th pitch



Weight:
9,0 Kg/m² (1.84 lbs/ft².)

WIDTH W		ITEM DESCRIPTION	ITEM DESCRIPTION
mm	in		
85	3.35	NGE2120FT-M0085VG50-2	NGE2120FT-M0085VG50-3
170	6.69	NGE2120FT-M0170VG50-2	NGE2120FT-M0170VG50-3
255	10.04	NGE2120FT-M0255VG50-2	NGE2120FT-M0255VG50-3
340	13.39	NGE2120FT-M0340VG50-2	NGE2120FT-M0340VG50-3
425	16.73	NGE2120FT-M0425VG50-2	NGE2120FT-M0425VG50-3
510	20.08	NGE2120FT-M0510VG50-2	NGE2120FT-M0510VG50-3
595	23.43	NGE2120FT-M0595VG50-2	NGE2120FT-M0595VG50-3
680	26.77	NGE2120FT-M0680VG50-2	NGE2120FT-M0680VG50-3
765	30.12	NGE2120FT-M0765VG50-2	NGE2120FT-M0765VG50-3
850	33.46	NGE2120FT-M0850VG50-2	NGE2120FT-M0850VG50-3
935	36.81	NGE2120FT-M0935VG50-2	NGE2120FT-M0935VG50-3
1020	40.16	NGE2120FT-M1020VG50-2	NGE2120FT-M1020VG50-3
1105	43.50	NGE2120FT-M1105VG50-2	NGE2120FT-M1105VG50-3
1190	46.85	NGE2120FT-M1190VG50-2	NGE2120FT-M1190VG50-3
1275	50.20	NGE2120FT-M1275VG50-2	NGE2120FT-M1275VG50-3
1360	53.54	NGE2120FT-M1360VG50-2	NGE2120FT-M1360VG50-3
1445	56.89	NGE2120FT-M1445VG50-2	NGE2120FT-M1445VG50-3
1530	60.24	NGE2120FT-M1530VG50-2	NGE2120FT-M1530VG50-3
1615	63.58	NGE2120FT-M1615VG50-2	NGE2120FT-M1615VG50-3
1700	66.93	NGE2120FT-M1700VG50-2	NGE2120FT-M1700VG50-3
1785	70.28	NGE2120FT-M1785VG50-2	NGE2120FT-M1785VG50-3
1870	73.62	NGE2120FT-M1870VG50-2	NGE2120FT-M1870VG50-3
1955	76.97	NGE2120FT-M1955VG50-2	NGE2120FT-M1955VG50-3
2040	80.31	NGE2120FT-M2040VG50-2	NGE2120FT-M2040VG50-3

Other widths available on request.

Chains & sprockets	Wear strips	Side guide brackets & accessories	Levelers	Engineering manual
Modular belts & sprockets	Chain & belt return systems	Frame & structure supports	Bearing supports	
Curves & tracks	Side guide solutions	Miscellaneous products	Equipment	

30100c

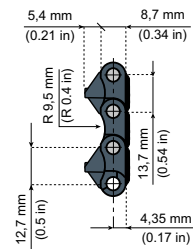
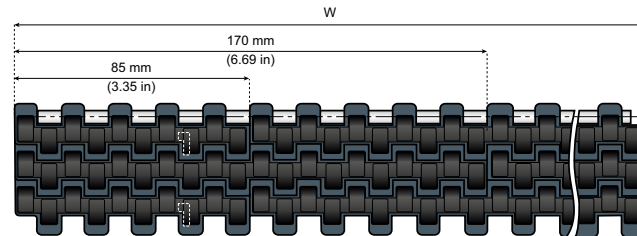
12,7 mm (½") MODULAR BELTS

VERSIONS WITH POSITIONERS / RUBBER INSERT

www.SystemPlastSmartGuide.com



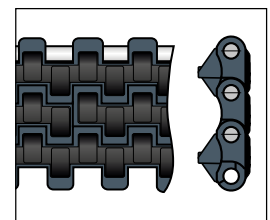
New
NG[®] evo



NG[®] evo conveyor components
made from **engineered plastic resin**
Longer wearlife than acetal
Lower friction than acetal
Good chemical resistance
High abrasion resistance
It meets the requirement for materials as stated by EC1935/2004 and FDA CFR21 norms for direct food contact
Less dust than with acetal chains
More.....

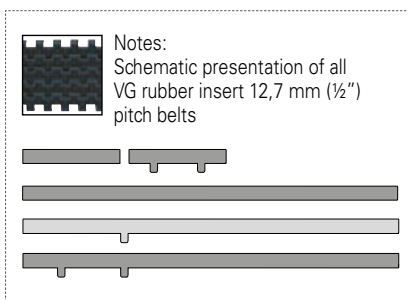
Belt material: grey blue colour
Rubber material: thermoplastic rubber, black colour, 50 shore A.
Backflex radius: 20 mm (0.8 in)
Max load capacity: 18000 N/m (1260 lbs/ft.)
Pin material: PBT (white)
Standard length:
width ≤ 340 mm (13.39 in): 3,048 m (10 ft.)
width > 340 mm (13.39 in) ≤ 1700 mm (66.93 in) : 1,524 m (5 ft.)
belt width > 1700 mm (66.93 in): on request

VG 2120-P Insert every pitch

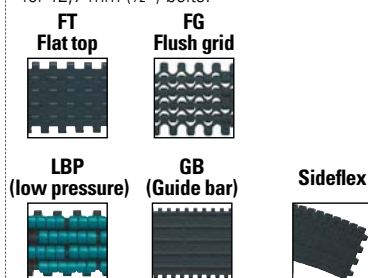


Weight:
9,7 Kg/m² (1.98 lbs/ft².)

30160a



Other versions for 12,7 mm (½") belts:



Information about this product is only available on our SmartGuide® website.



Also available with side indent. Go to:

30105a

Standard material

NGE (GREY BLUE)

New Generation®

materials details:

73563a

TPR (BLACK)

Thermoplastic rubber

materials details:

73570a

WIDTH W		ITEM DESCRIPTION
mm	in	
85	3.35	NGE2120FT-P-M0085VG50
170	6.69	NGE2120FT-P-M0170VG50
255	10.04	NGE2120FT-P-M0255VG50
340	13.39	NGE2120FT-P-M0340VG50
425	16.73	NGE2120FT-P-M0425VG50
510	20.08	NGE2120FT-P-M0510VG50
595	23.43	NGE2120FT-P-M0595VG50
680	26.77	NGE2120FT-P-M0680VG50
765	30.12	NGE2120FT-P-M0765VG50
850	33.46	NGE2120FT-P-M0850VG50
935	36.81	NGE2120FT-P-M0935VG50
1020	40.16	NGE2120FT-P-M1020VG50
1105	43.50	NGE2120FT-P-M1105VG50
1190	46.85	NGE2120FT-P-M1190VG50
1275	50.20	NGE2120FT-P-M1275VG50
1360	53.54	NGE2120FT-P-M1360VG50
1445	56.89	NGE2120FT-P-M1445VG50
1530	60.24	NGE2120FT-P-M1530VG50
1615	63.58	NGE2120FT-P-M1615VG50
1700	66.93	NGE2120FT-P-M1700VG50
1785	70.28	NGE2120FT-P-M1785VG50
1870	73.62	NGE2120FT-P-M1870VG50
1955	76.97	NGE2120FT-P-M1955VG50
2040	80.31	NGE2120FT-P-M2040VG50

Other widths available on request.

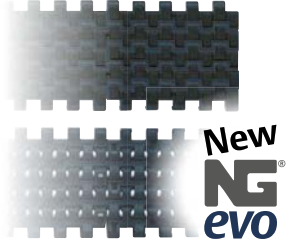
Chains & sprockets	Wear strips	Side guide brackets & accessories	Levelers	Engineering manual
Modular belts & sprockets	Chain & belt return systems	Frame & structure supports	Bearing supports	
Curves & tracks	Side guide solutions	Miscellaneous products	Equipment	

30100d

www.SystemPlastSmartGuide.com

12,7 mm (½") MODULAR BELTS

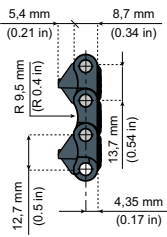
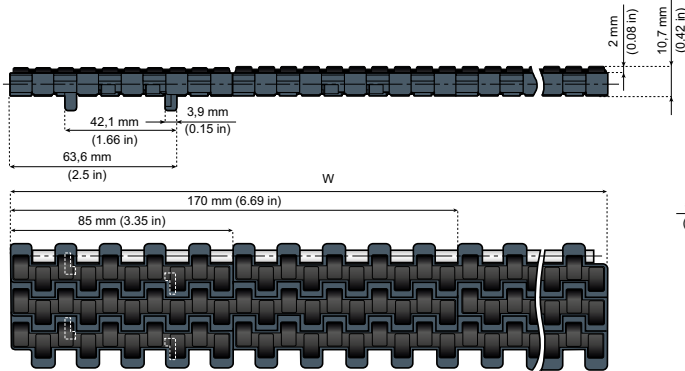
VERSIONS WITH TWIN POSITIONERS / RUBBER INSERT



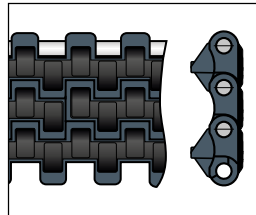
New
NG evo

NG® evo conveyor components
made from **engineered plastic resin**
Longer wearlife than acetal
Lower friction than acetal
Good chemical resistance
High abrasion resistance
It meets the requirement for materials as stated by EC1935/2004 and FDA CFR21 norms for direct food contact
Less dust than with acetal chains
More.....

- Belt material:** grey blue colour
- Rubber material:** thermoplastic rubber, black colour, 50 shore A.
- Backflex radius:** 20 mm (0.8 in)
- Max load capacity:** 18000 N/m (1260 lbs/ft.)
- Pin material:** PBT (white)
- Standard length:**
 - width ≤ 340 mm (13.39 in) : 3,048 m (10 ft.)
 - width > 340 mm (13.39 in) ≤ 1700 mm (66.93 in) : 1,524 m (5 ft.)
 - width > 1700 mm (66.93 in) : on request

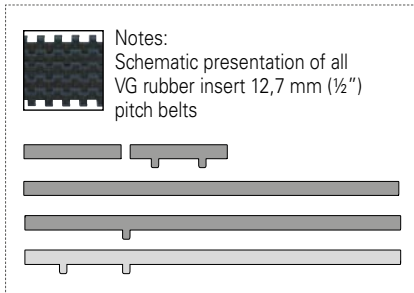


VG 2120-PT
Insert every pitch



Weight:
9,7 Kg/m² (1.98 lbs/ft².)

30160a



Other versions for 12,7 mm (½") belts:

- FT Flat top**
- FG Flush grid**
- LBP (low pressure)**
- GB (Guide bar)**
- Sideflex**

Information about this product is only available on our Smart Guide® website.

Also available with side indent. Go to:
30105a

Standard material

NGE (GREY BLUE)

New Generation®

materials details:
73563a

TPR (BLACK)

Thermoplastic rubber

materials details:
73570a

WIDTH W		ITEM DESCRIPTION
mm	in	
85	3.35	NGE2120FT-PT-M0085VG50
170	6.69	NGE2120FT-PT-M0170VG50
255	10.04	NGE2120FT-PT-M0255VG50
340	13.39	NGE2120FT-PT-M0340VG50
425	16.73	NGE2120FT-PT-M0425VG50
510	20.08	NGE2120FT-PT-M0510VG50
595	23.43	NGE2120FT-PT-M0595VG50
680	26.77	NGE2120FT-PT-M0680VG50
765	30.12	NGE2120FT-PT-M0765VG50
850	33.46	NGE2120FT-PT-M0850VG50
935	36.81	NGE2120FT-PT-M0935VG50
1020	40.16	NGE2120FT-PT-M1020VG50
1105	43.50	NGE2120FT-PT-M1105VG50
1190	46.85	NGE2120FT-PT-M1190VG50
1275	50.20	NGE2120FT-PT-M1275VG50
1360	53.54	NGE2120FT-PT-M1360VG50
1445	56.89	NGE2120FT-PT-M1445VG50
1530	60.24	NGE2120FT-PT-M1530VG50
1615	63.58	NGE2120FT-PT-M1615VG50
1700	66.93	NGE2120FT-PT-M1700VG50
1785	70.28	NGE2120FT-PT-M1785VG50
1870	73.62	NGE2120FT-PT-M1870VG50
1955	76.97	NGE2120FT-PT-M1955VG50
2040	80.31	NGE2120FT-PT-M2040VG50

Other widths available on request.

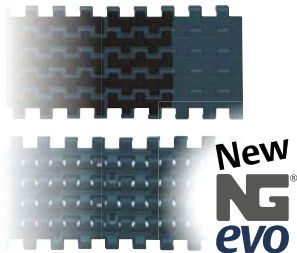
Chains & sprockets	Wear strips	Side guide brackets & accessories	Levelers	Engineering manual
Modular belts & sprockets	Chain & belt return systems	Frame & structure supports	Bearing supports	
Curves & tracks	Side guide solutions	Miscellaneous products	Equipment	

30105a

www.SystemPlastSmartGuide.com

12,7 mm (½") MODULAR BELTS

RUBBER INSERT EVERY PITCH WITH SIDE INDENT



NG® evo conveyor components
made from engineered plastic resin

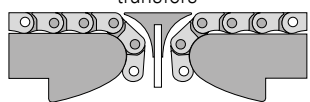
- Longer wearlife than acetal
- Lower friction than acetal
- Good chemical resistance
- High abrasion resistance
- It meets the requirement for materials as stated by EC1935/2004 and FDA CFR21 norms for direct food contact
- Less dust than with acetal chains
- More.....

- Belt material:** grey blue colour
- Rubber material:** thermoplastic rubber, black colour, 50 shore A.
- Backflex radius:** 20 mm (0.8 in)
- Max load capacity:** 18000 N/m (1260 lbs/ft.)
- Pin material:** PBT (white)

Standard length:
width ≤ 340 mm (13.39 in): 3,048 m (10 ft.)
width > 340 mm (13.39 in) ≤ 1700 mm (66.93 in) : 1,524 m (5 ft.)
width > 1700 mm (66.93 in): on request

30160a

Usually used on short conveyors with a Nose Bar to create extremely short transfers

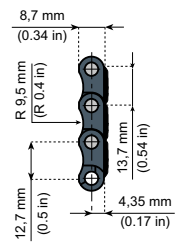
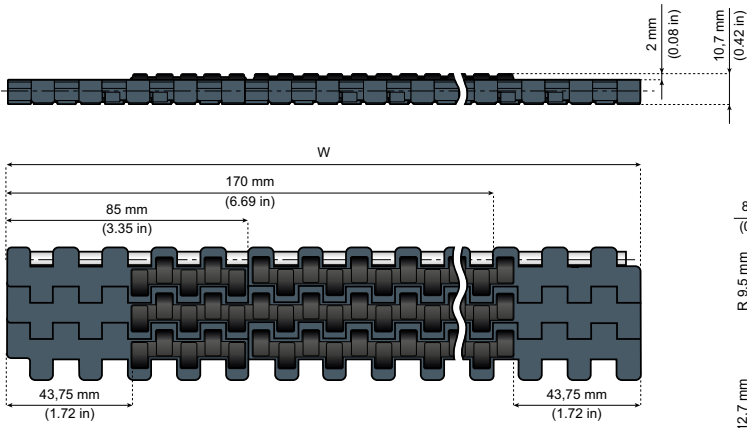
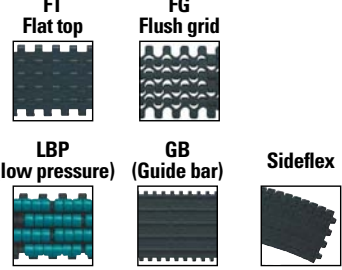


page code: **30175a**

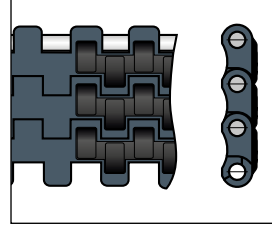


Notes: Schematic presentation of all VG rubber insert 12,7 mm (½") pitch belts

Other versions for 12,7 mm (½") belts:



VGS 2120
Insert every pitch

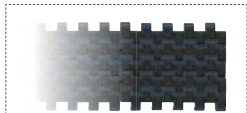


Weight:
9,7 Kg/m² (1.98 lbs/ft.².)

WIDTH W		ITEM DESCRIPTION
mm	in	
255	10.04	NGE2120FT-M0255VGS50
340	13.39	NGE2120FT-M0340VGS50
425	16.73	NGE2120FT-M0425VGS50
510	20.08	NGE2120FT-M0510VGS50
595	23.43	NGE2120FT-M0595VGS50
680	26.77	NGE2120FT-M0680VGS50
765	30.12	NGE2120FT-M0765VGS50
850	33.46	NGE2120FT-M0850VGS50
935	36.81	NGE2120FT-M0935VGS50
1020	40.16	NGE2120FT-M1020VGS50
1105	43.50	NGE2120FT-M1105VGS50
1190	46.85	NGE2120FT-M1190VGS50
1275	50.20	NGE2120FT-M1275VGS50
1360	53.54	NGE2120FT-M1360VGS50
1445	56.89	NGE2120FT-M1445VGS50
1530	60.24	NGE2120FT-M1530VGS50
1615	63.58	NGE2120FT-M1615VGS50
1700	66.93	NGE2120FT-M1700VGS50
1785	70.28	NGE2120FT-M1785VGS50
1870	73.62	NGE2120FT-M1870VGS50
1955	76.97	NGE2120FT-M1955VGS50
2040	80.31	NGE2120FT-M2040VGS50

Other widths available on request.

Information about this product is only available on our Smart Guide® website.



For full width rubber surface. Go to:

30100a

Standard material
NGE (GREY BLUE)
New Generation®

materials details:
73563a

TPR (BLACK)
Thermoplastic rubber

materials details:
73570a

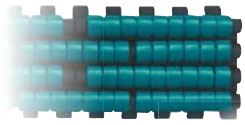
Chains & sprockets	Wear strips	Side guide brackets & accessories	Levelers	Engineering manual
Modular belts & sprockets	Chain & belt return systems	Frame & structure supports	Bearing supports	
Curves & tracks	Side guide solutions	Miscellaneous products	Equipment	

30110a

12,7 mm (½") MODULAR BELTS 2120-LBP

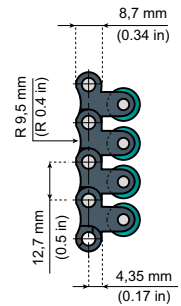
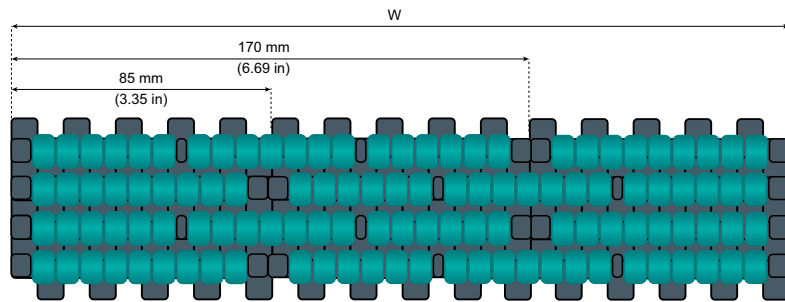
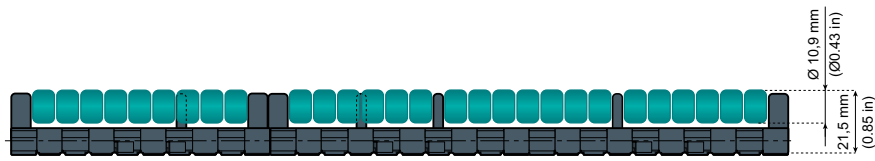
LOW NOISE ACCUMULATION ROLLERS

www.SystemPlastSmartGuide.com



NG® evo conveyor components made from engineered plastic resin

- Longer wearlife than acetal
- Lower friction than acetal
- Good chemical resistance
- High abrasion resistance
- It meets the requirement for materials as stated by EC1935/2004 and FDA CFR21 norms for direct food contact
- Less dust than with acetal chains
- More.....



Backflex radius: 65 mm (2.56 in)
Max load capacity: 18000 N/m (1260 lbs/ft.)
Weight: 23,2 Kg/m² (4.73 lbs/ft².)
Pin material: PBT (white)
Roller shaft material: Stainless Steel AISI 304
Standard length:

width ≤ 340 mm (13.39 in): 1,524 m (5 ft.)
width > 340 mm (13.39 in) ≤ 935 mm (36.81 in): 0,762 m (0.03 in)
width > 935 mm (36.81 in): on request



Information about this product is only available on our Smart Guide® website.

Standard material

NGE (GREY BLUE)

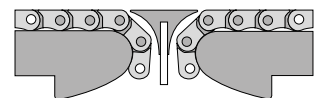
New Generation®

materials details:

73563a



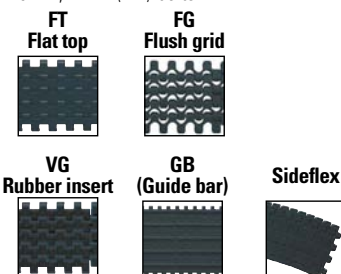
Usually used on short conveyors with a Nose Bar to create extremely short transfers



page code: **30175a**

30160a

Other versions for 12,7 mm (½") belts:



ROLLER GUIDE

For roller guide. Go to: **52510a**

WIDTH W		ITEM DESCRIPTION
mm	in	
85	3.35	NGE2120LBP-M0085
170	6.69	NGE2120LBP-M0170
255	10.04	NGE2120LBP-M0255
340	13.39	NGE2120LBP-M0340
425	16.73	NGE2120LBP-M0425
510	20.08	NGE2120LBP-M0510
595	23.43	NGE2120LBP-M0595
680	26.77	NGE2120LBP-M0680
765	30.12	NGE2120LBP-M0765
850	33.46	NGE2120LBP-M0850
935	36.81	NGE2120LBP-M0935
1020	40.16	NGE2120LBP-M1020
1105	43.50	NGE2120LBP-M1105

Wider widths available upon request. LBP belts cannot be cut-to-width.

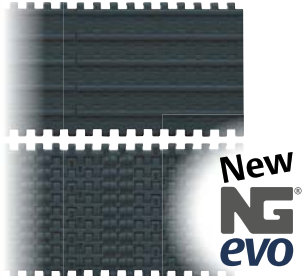
Chains & sprockets	Wear strips	Side guide brackets & accessories	Levelers	Engineering manual
Modular belts & sprockets	Chain & belt return systems	Frame & structure supports	Bearing supports	
Curves & tracks	Side guide solutions	Miscellaneous products	Equipment	

30120a

12,7 mm (½") MODULAR BELTS 2120 GB

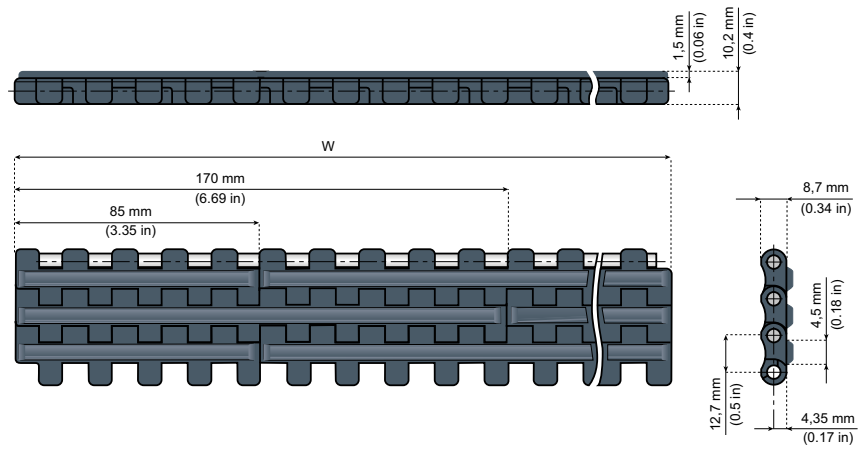
VERSION WITH GUIDE BAR EVERY PITCH FOR TRANSFER

www.SystemPlastSmartGuide.com

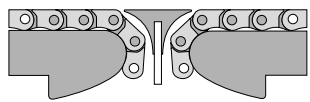


NG® EVO conveyor components
made from **engineered plastic resin**
Longer wearlife than acetal
Lower friction than acetal
Good chemical resistance
High abrasion resistance
It meets the requirement for materials as stated by EC1935/2004 and FDA CFR21 norms for direct food contact
Less dust than with acetal chains
More.....

- Belt material:** grey blue colour
- Backflex radius:** 20 mm (0.79 in)
- Max load capacity:** 18000 N/m (1260 lbs/ft.)
- Pin material:** PBT (white)
- Standard length:**
 - width ≤ 340 mm (13.39 in): 3,048 m (10 ft.)
 - width > 340 mm (13.39 in) ≤ 1700 mm (66.93 in) : 1,524 m (5 ft.)
 - width > 1700 mm (66.93 in): on request

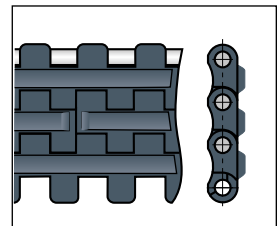


Usually used on short conveyors with a Nose Bar to create extremely short transfers



page code: **30175a**

GB 2120 Guide bar on every pitch



Weight:
10,4 Kg/m² (2.12 lbs/ft².)

30160a



Information about this product is only available on our Smart Guide® website.

Notes: Schematic presentation of all GB guide bar 12,7 mm (½") pitch belts

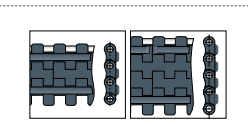


Other versions for 12,7 mm (½") belts:

FT Flat top	FG Flush grid
VG Rubber insert	LBP (low pressure)
Sideflex	

Standard material
NGE (GREY BLUE)
New Generation®

materials details:
73563a



For insert every 2nd or 3th pitch, go to:
30120b

WIDTH W		ITEM DESCRIPTION
mm	in	
85	3.35	NGE2120FT-M0085GB
170	6.69	NGE2120FT-M0170GB
255	10.04	NGE2120FT-M0255GB
340	13.39	NGE2120FT-M0340GB
425	16.73	NGE2120FT-M0425GB
510	20.08	NGE2120FT-M0510GB
595	23.43	NGE2120FT-M0595GB
680	26.77	NGE2120FT-M0680GB
765	30.12	NGE2120FT-M0765GB
850	33.46	NGE2120FT-M0850GB
935	36.81	NGE2120FT-M0935GB
1020	40.16	NGE2120FT-M1020GB
1105	43.50	NGE2120FT-M1105GB
1190	46.85	NGE2120FT-M1190GB

Other widths available on request.

Chains & sprockets	Wear strips	Side guide brackets & accessories	Levelers	Engineering manual
Modular belts & sprockets	Chain & belt return systems	Frame & structure supports	Bearing supports	
Curves & tracks	Side guide solutions	Miscellaneous products	Equipment	

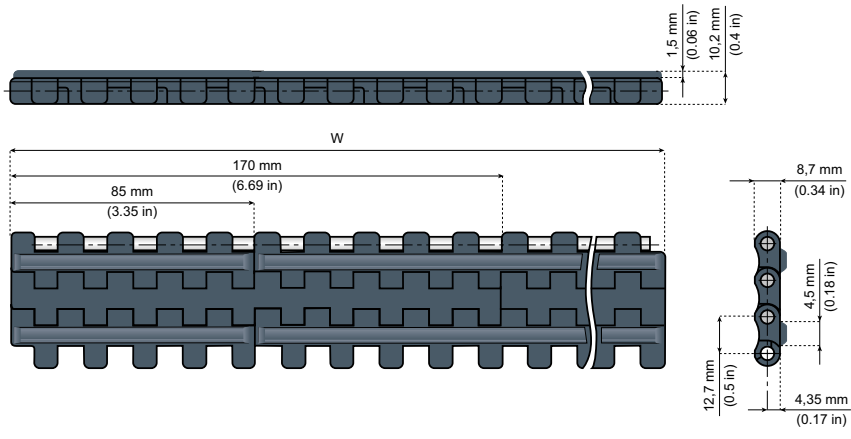
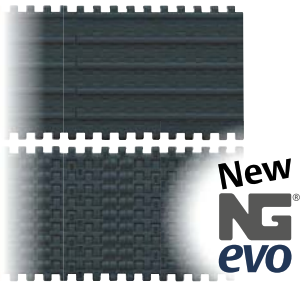


3 0 1 2 0 b

12,7 mm (½") MODULAR BELTS 2120 GB

www.SystemPlastSmartGuide.com

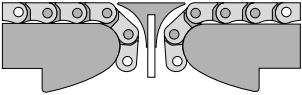
VERSION WITH GUIDE BAR ON 2nd & 3th PITCH FOR TRANSFER



NG® evo conveyor components made from engineered plastic resin
 Longer wearlife than acetal
 Lower friction than acetal
 Good chemical resistance
 High abrasion resistance
 It meets the requirement for materials as stated by EC1935/2004 and FDA CFR21 norms for direct food contact
 Less dust than with acetal chains
 More.....

Belt material: grey blue colour
Backflex radius: 20 mm (0.79 in)
Max load capacity: 18000 N/m (1260 lbs/ft.)
Pin material: PBT (white)
Standard length:
 width ≤ 340 mm (13.39 in): 3,048 m (10 ft.)
 width > 340 mm (13.39 in) ≤ 1700 mm (66.93 in) : 1,524 m (5 ft.)
 width > 1700 mm (66.93 in): on request

Usually used on short conveyors with a Nose Bar to create extremely short transfers



page code: **3 0 1 7 5 a**

3 0 1 6 0 a



Information about this product is only available on our Smart Guide® website.

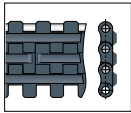
Standard material

NGE (GREY BLUE)

New Generation®

materials details:

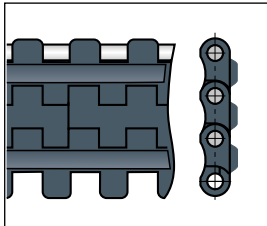
7 3 5 6 3 a



For every insert, go to:

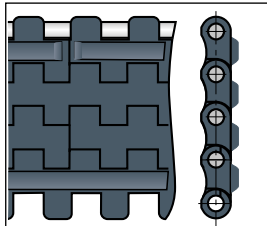
3 0 1 2 0 a

GB2 2120
Guide bar
every 2nd pitch



Weight:
 10,4 Kg/m² (2.12 lbs/ft.²)

GB3 2120
Guide bar
every 3th pitch



Weight:
 9,9 Kg/m² (2.02 lbs/ft.²)

WIDTH W		ITEM DESCRIPTION	ITEM DESCRIPTION
mm	in		
85	3.35	NGE2120FT-M0085GB-2	NGE2120FT-M0085GB-3
170	6.69	NGE2120FT-M0170GB-2	NGE2120FT-M0170GB-3
255	10.04	NGE2120FT-M0255GB-2	NGE2120FT-M0255GB-3
340	13.39	NGE2120FT-M0340GB-2	NGE2120FT-M0340GB-3
425	16.73	NGE2120FT-M0425GB-2	NGE2120FT-M0425GB-3
510	20.08	NGE2120FT-M0510GB-2	NGE2120FT-M0510GB-3
595	23.43	NGE2120FT-M0595GB-2	NGE2120FT-M0595GB-3
680	26.77	NGE2120FT-M0680GB-2	NGE2120FT-M0680GB-3
765	30.12	NGE2120FT-M0765GB-2	NGE2120FT-M0765GB-3
850	33.46	NGE2120FT-M0850GB-2	NGE2120FT-M0850GB-3
935	36.81	NGE2120FT-M0935GB-2	NGE2120FT-M0935GB-3
1020	40.16	NGE2120FT-M1020GB-2	NGE2120FT-M1020GB-3
1105	43.50	NGE2120FT-M1105GB-2	NGE2120FT-M1105GB-3
1190	46.85	NGE2120FT-M1190GB-2	NGE2120FT-M1190GB-3

Other widths available on request.

Notes: Schematic presentation of all GB guide bar 12,7 mm (½") pitch belts

Other versions for 12,7 mm (½") belts:

- FT Flat top**
- FG Flush grid**
- VG Rubber insert**
- LBP (low pressure)**
- Sideflex**

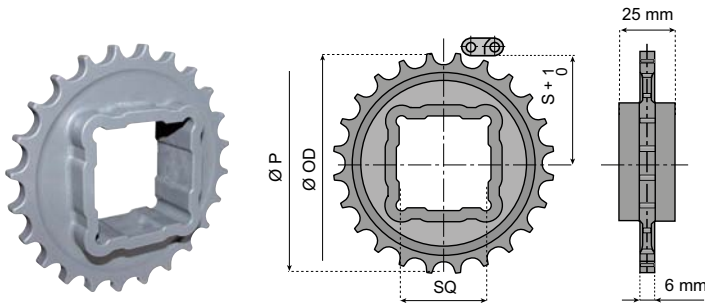
Chains & sprockets	Wear strips	Side guide brackets & accessories	Levelers	Engineering manual
Modular belts & sprockets	Chain & belt return systems	Frame & structure supports	Bearing supports	
Curves & tracks	Side guide solutions	Miscellaneous products	Equipment	

3 0 1 6 0 a

DRIVE AND RETURN SPROCKETS

www.SystemPlastSmartGuide.com

FOR BELTS 2120 - 2120M - 2121



FOR 2120 - 2121-2122

MOLDED DRIVE SPROCKETS SQUARE BORE ONE PIECE - FLOATING

Z	Ø 30X30	Ø 40X40
	ITEM DESCRIPTION	
24	2120-24S30M-D	2120-24S40M-D

Material: reinforced polyamide (grey).

Z	Ø OD mm	Ø P mm	S mm
24	97,3	96,5	44,14
28	113,3	112,5	52,15
36	145,4	144,6	68,28

Notes:

Sprockets with 'fixed' bores (standard split types) do not follow the expansion or contraction of a belt and therefore can be used only for belts widths up to 680 mm (27-in) and temperature differences of maximum 30°C (86°F).

For all other applications we recommend using floating sprockets. Sprockets that normally have a 'fixed' or 'tight' bore can be made 'floating' on request. In that case just add the letter P to the standard item description.

For example, code **2120-24R30M-DPS**



Sprockets with 'tight' bores (standard one piece types) can be a cost effective solution for many applications; but if the belt is wider than 680 mm and large temperature fluctuations (> 30°C - 86°F) occur, we recommend using the floating versions. 'Tight' and 'floating' bore sprockets are recommended to be kept in position with set collars or with help of the positioners of the belt.

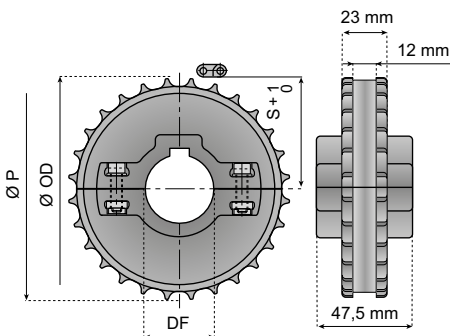
New design 3 0 9 9 5 a



Features:

- New design with snap-assembly system included.
- Very high strength.
- Split versions: quick and easy replacement.
- Foolproof design.
- Excellent wear and chemical resistance.
- Recyclable.

NOT SUITABLE FOR 2122 FG !



Z	Ø 30	Ø 35	Ø 40
	ITEM DESCRIPTION		
24	2120-24R30M-DS	2120-24R35M-DS	2120-24R40M-DS
28	2120-28R30M-DS	2120-28R35M-DS	2120-28R40M-DS
36	2120-36R30M-DS	-	2120-36R40M-DS

Z	Ø 30	Ø 35	Ø 40
	ITEM DESCRIPTION		
24	2120-24R30M-RS	2120-24R35M-RS	2120-24R40M-RS
28	2120-28R30M-RS	2120-28R35M-RS	2120-28R40M-RS
36	2120-36R30M-RS	-	2120-36R40M-RS

Material: reinforced polyamide (black), screws in stainless steel, nuts in nickel plated brass.



Information about this product is only available on our Smart Guide® website.



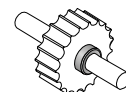
See also the sprockets and idler wheels:

3 0 1 6 0 b
3 0 1 6 0 c



See 12,7 mm (½") pitch belts:

3 0 0 2 0 a



Set collars, go to:

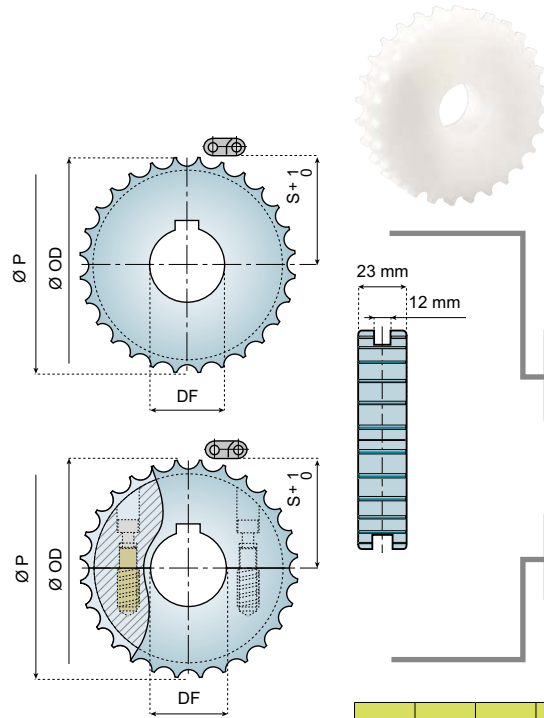
5 4 6 3 0 a

Chains & sprockets	Wear strips	Side guide brackets & accessories	Levelers	Engineering manual
Modular belts & sprockets	Chain & belt return systems	Frame & structure supports	Bearing supports	
Curves & tracks	Side guide solutions	Miscellaneous products	Equipment	

Features:

- Very high strength.
- Split versions: quick and easy replacement.
- Foolproof design.
- Completely closed structure, easy to clean and to disinfect.
- Excellent wear and chemical resistance.
- Recyclable.

New design
30990a



MACHINED DRIVE SPROCKETS - ONE PIECE TIGHT				
Z	Ø 25	Ø 30	Ø 35	Ø 40
ITEM DESCRIPTION				
14	2120-14R25M-DM	2120-14R30M-DM	-	-
16	2120-16R25M-DM	2120-16R30M-DM	-	-
20	2120-20R25M-DM	2120-20R30M-DM	2120-20R35M-DM	2120-20R40M-DM
24	2120-24R25M-DM	2120-24R30M-DM	2120-24R35M-DM	2120-24R40M-DM

MACHINED DRIVE SPROCKETS - SPLIT FIXED				
28	2120-28R25M-DMS	2120-28R30M-DMS	2120-28R35M-DMS	2120-28R40M-DMS
36	2120-36R25M-DMS	2120-36R30M-DMS	2120-36R35M-DMS	2120-36R40M-DMS
38	2120-38R25M-DMS	2120-38R30M-DMS	2120-38R35M-DMS	2120-38R40M-DMS
40	2120-40R25M-DMS	2120-40R30M-DMS	2120-40R35M-DMS	2120-40R40M-DMS

Material: polyamide (natural white), screws in stainless steel, bushings in brass.

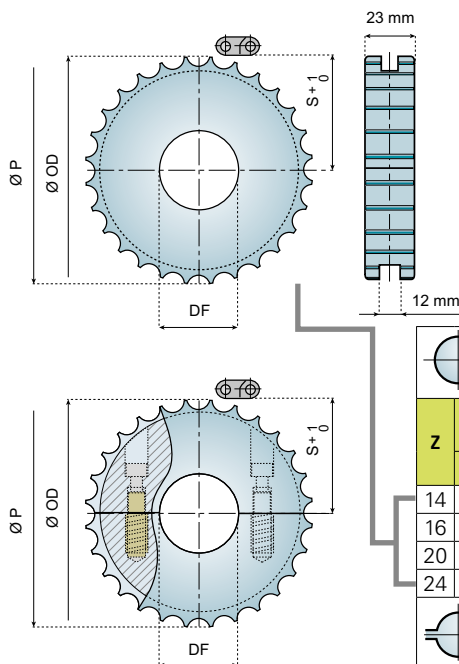
Notes:

Sprockets with 'fixed' bores (standard split types) do not follow the expansion or contraction of a belt and therefore can be used only for belts widths up to 680 mm (27-in) and temperature differences of maximum 30°C (86°F).

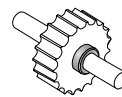
For all other applications we recommend using floating sprockets. Sprockets that normally have a 'fixed' or 'tight' bore can be made 'floating' on request. In that case just add the letter P to the standard item description. For example, code **2120-14R25M-DPS**

Sprockets with 'tight' bores (standard one piece types) can be a cost effective solution for many applications, but if the belt is wider than 680 mm (27-in) and large temperature fluctuations (> 30°C - 86°F) occur, we recommend using the floating versions. 'Tight' and 'floating' bore sprockets are recommended to be kept in position with set collars or with help of the positioners of the belt.

Z	Ø OD mm	Ø P mm	S mm
14	56,4	56,6	24,17
16	64,5	64,6	28,15
20	80,4	80,5	36,14
24	97,3	96,5	44,14
28	113,3	112,5	52,15
36	145,4	144,6	68,28
38	153,9	152,6	72,28
40	161,9	160,6	76,30



Information about this product is only available on our Smart Guide® website.



Set collars, go to:

54630a



See also the sprockets and idler wheels:

30160a

30160c



See 12,7 mm (½") pitch belts:

30020a

MACHINED RETURN SPROCKETS - ONE PIECE					
Z	Ø 18* (R18M) Ø 23* (R23M)	Ø 25	Ø 30	Ø 35	Ø 40
ITEM DESCRIPTION					
14	2120-14R18M-RM	2120-14R25M-RM	2120-14R30M-RM	-	-
16	2120-16R18M-RM	2120-16R25M-RM	2120-16R30M-RM	-	-
20	2120-20R18M-RM	2120-20R25M-RM	2120-20R30M-RM	2120-20R35M-RM	2120-20R40M-RM
24	2120-24R18M-RM	2120-24R25M-RM	2120-24R30M-RM	2120-24R35M-RM	2120-24R40M-RM

MACHINED RETURN SPROCKETS - SPLIT					
28	2120-28R23M-RMS	2120-28R25M-RMS	2120-28R30M-RMS	2120-28R35M-RMS	2120-28R40M-RMS
36	2120-36R23M-RMS	2120-36R25M-RMS	2120-36R30M-RMS	2120-36R35M-RMS	2120-36R40M-RMS
38	2120-38R23M-RMS	2120-38R25M-RMS	2120-38R30M-RMS	2120-38R35M-RMS	2120-38R40M-RMS
40	2120-40R23M-RMS	2120-40R25M-RMS	2120-40R30M-RMS	2120-40R35M-RMS	2120-40R40M-RMS

Material: polyamide (natural white), screws in stainless steel, bushings in brass. *Plain bore

Chains & sprockets	Wear strips	Side guide brackets & accessories	Levelers	Engineering manual
Modular belts & sprockets	Chain & belt return systems	Frame & structure supports	Bearing supports	
Curves & tracks	Side guide solutions	Miscellaneous products	Equipment	

30160c

DRIVE SPROCKETS

www.SystemPlastSmartGuide.com

FOR BELTS 2120 - 2120M - 2121



New design

30995a

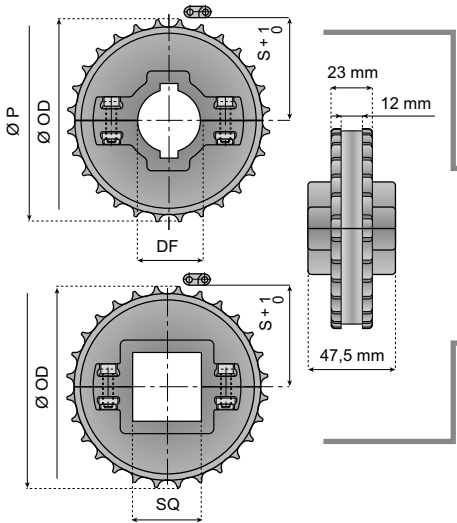
- Features:**
- New design with snap-assembly system included.
 - Very high strength.
 - Split versions: quick and easy replacement.
 - Foolproof design.
 - Excellent wear and chemical resistance.
 - Recyclable.

Set collars, go to:
54630a

See 12,7 mm (1/2") pitch belts:
30020a

See also the sprockets and idler wheels:

30160a
30160b



MOLDED DRIVE SPROCKETS - SPLIT DOUBLE KEYWAY - FLOATING			
Z	Ø 30	Ø 35	Ø 40
	ITEM DESCRIPTION		
28	2120-28R30M-DPS-K2	2120-28R35M-DPS-K2	2120-28R40M-DPS-K2
36	2120-36R30M-DPS-K2	-	2120-36R40M-DPS-K2

MOLDED DRIVE SPROCKETS SQUARE BORE - SPLIT FLOATING			
Z	Ø 40X40		
24	-	-	-
28	-	-	2120-28S40M-DS
36	-	-	2120-36S40M-DS

Material: reinforced polyamide (black), screws in stainless steel, nuts in nickel plated brass.

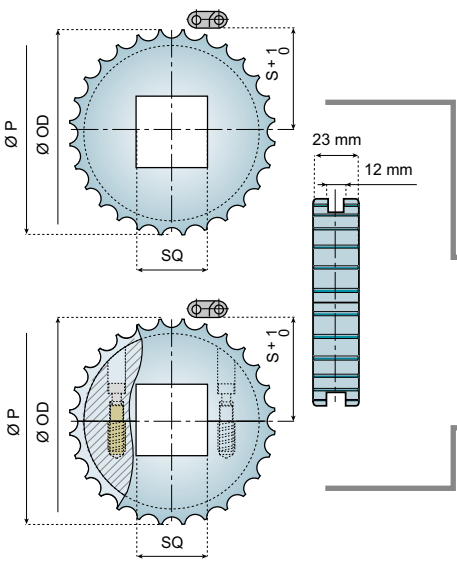


New design

30990a

- Features:**
- Very high strength.
 - Split versions: quick and easy replacement.
 - Foolproof design.
 - Completely closed structure, easy to clean and to disinfect.
 - Excellent wear and chemical resistance.
 - Recyclable.

Z	Ø OD mm	Ø P mm	S mm
16	64,5	64,6	28,15
20	80,4	80,5	36,14
24	97,3	96,5	44,14
28	113,3	112,5	52,15
36	145,4	144,6	68,28
38	153,9	152,6	72,28



MACHINED DRIVE SPROCKETS SQUARE BORE - ONE PIECE FLOATING				
Z	Ø 30X30	Ø 35X35	Ø 40X40	Ø 60X60
	ITEM DESCRIPTION			
16	2120-16S30M-DM	-	-	-
20	2120-20S30M-DM	2120-20S35M-DM	-	-
24	2120-24S30M-DM	-	2120-24S40M-DM	-

MACHINED DRIVE SPROCKETS SQUARE BORE - SPLIT FLOATING				
28	2120-28S30M-DMS	-	2120-28S40M-DMS	-
36	2120-36S30M-DMS	-	2120-36S40M-DMS	2120-36S60M-DMS
38	2120-38S30M-DMS	-	2120-38S40M-DMS	2120-38S60M-DMS

Material: polyamide (natural white), screws in stainless steel, bushings in brass.

Chains & sprockets	Wear strips	Side guide brackets & accessories	Levelers	Engineering manual
Modular belts & sprockets	Chain & belt return systems	Frame & structure supports	Bearing supports	
Curves & tracks	Side guide solutions	Miscellaneous products	Equipment	

30165a

DRIVE AND RETURN SPROCKETS

FOR BELT 2124

www.SystemPlastSmartGuide.com



Item descriptions for drive sprockets are manufactured for a tight fit on the shaft.

Drive sprockets capable of floating freely on the shaft, just add the letter "P" (=plus) to the existing Item description. For example, code

2124-16R25M-DPMS

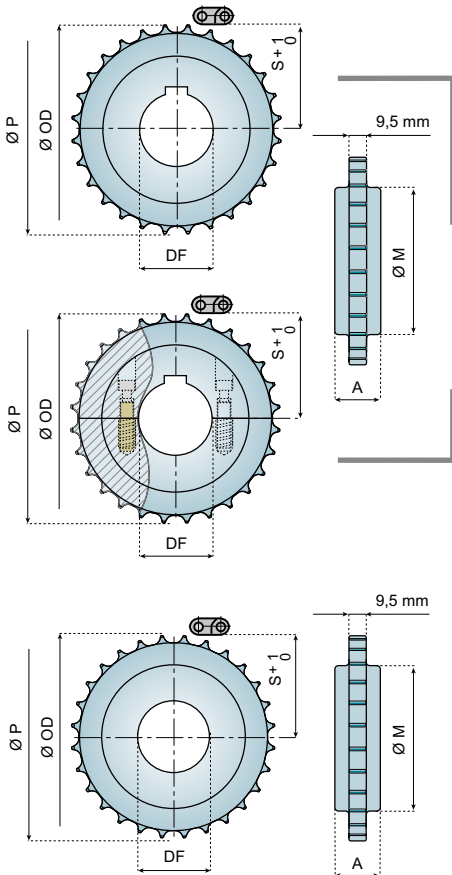


New design

30990a

Features:

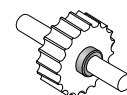
- Very high strength.
- Split versions: quick and easy replacement.
- Foolproof design.
- Completely closed structure, easy to clean and to disinfect.
- Excellent wear and chemical resistance.
- Recyclable.



MACHINED DRIVE SPROCKETS - ONE PIECE TIGHT				
A = 25				
Z	Ø 25	Ø 30	Ø 35	Ø 40
ITEM DESCRIPTION				
16	2124-16R25M-DM	2124-16R30M-DM	-	-
24	2124-24R25M-DM	2124-24R30M-DM	2124-24R35M-DM	2124-24R40M-DM
MACHINED DRIVE SPROCKETS - SPLIT FIXED				
A = 34				
28	2124-28R25M-DMS	2124-28R30M-DMS	2124-28R35M-DMS	2124-28R40M-DMS
36	2124-36R25M-DMS	2124-36R30M-DMS	2124-36R35M-DMS	2124-36R40M-DMS

Material: polyamide (natural white), screws in stainless steel, bushings in brass.

Z	Ø OD mm	Ø P mm	Ø M mm	S mm
16	63,5	64,6	43	28,2
24	97,3	96,5	65	44,3
28	113,9	112,5	92	52,4
36	146	144,6	105	68,5



Set collars, go to:

54630a

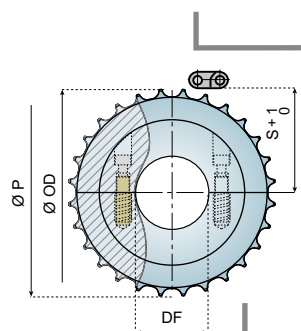


Information about this product is only available on our Smart Guide® website.

See belts 12,7 mm (1/2"): **30030a** **30030b** **30090a**



30030a **30030b** **30090a**



MACHINED RETURN SPROCKETS - ONE PIECE					
A = 25					
Z	Ø 18* (R18M) Ø 23* (R23M)	Ø 25	Ø 30	Ø 35	Ø 40
ITEM DESCRIPTION					
16	2124-16R18M-RM	2124-16R25M-RM	2124-16R30M-RM	-	-
24	2124-24R18M-RM	2124-24R25M-RM	2124-24R30M-RM	2124-24R35M-RM	2124-24R40M-RM
MACHINED RETURN SPROCKETS - SPLIT					
A = 34					
28	2124-28R23M-RMS	2124-28R25M-RMS	2124-28R30M-RMS	2124-28R35M-RMS	2124-28R40M-RMS
36	2124-36R23M-RMS	2124-36R25M-RMS	2124-36R30M-RMS	2124-36R35M-RMS	2124-36R40M-RMS

Material: polyamide (natural white), screws in stainless steel, bushings in brass. *Plain bore

Chains & sprockets	Wear strips	Side guide brackets & accessories	Levelers	Engineering manual
Modular belts & sprockets	Chain & belt return systems	Frame & structure supports	Bearing supports	
Curves & tracks	Side guide solutions	Miscellaneous products	Equipment	

30166a

DRIVE AND RETURN SPROCKETS

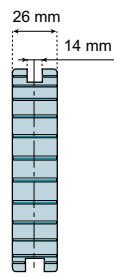
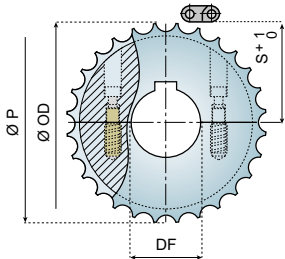
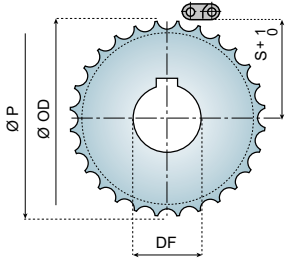
FOR BELT 2122

www.SystemPlastSmartGuide.com



Also available:
molded monoblock
sprockets 24 teeth
with square bore.
Go to:

30160a



MACHINED DRIVE SPROCKETS - ONE PIECE TIGHT			
Z	Ø 25	Ø 30	Ø 40
ITEM DESCRIPTION			
14	2122-14R25M-DM	2122-14R30M-DM	-
20	2122-20R25M-DM	2122-20R30M-DM	-
24	2122-24R25M-DM	2122-24R30M-DM	-

MACHINED DRIVE SPROCKETS - SPLIT FIXED			
Z	Ø 25	Ø 30	Ø 40
28	2122-28R25M-DMS	2122-28R30M-DMS	2122-28R40M-DMS
38	2122-38R25M-DMS	2122-38R30M-DMS	2122-38R40M-DMS

Material: polyamide (natural white), screws in stainless steel, bushings in brass.

Notes:

Sprockets with 'fixed' bores (standard split types) do not follow the expansion or contraction of a belt and therefore can be used only for belts widths up to 680 mm (27-in) and temperature differences of maximum 30°C (86°F).

For all other applications we recommend using floating sprockets. Sprockets that normally have a 'fixed' or 'tight' bore can be made 'floating' on request. In that case just add the letter P to the standard item description.

For example, code **2122-14R25M-DPS**

Sprockets with 'tight' bores (standard one piece types) can be a cost effective solution for many applications, but if the belt is wider than 680 mm (27-in) and large temperature fluctuations (> 30°C - 86°F) occur, we recommend using the floating versions. 'Tight' and 'floating' bore sprockets are recommended to be kept in position with set collars or with help of the positioners of the belt.

Z	Ø OD mm	Ø P mm	S mm
14	56,4	56,6	24,3
20	80,4	80,6	36,3
24	98,4	96,5	44,3
28	114,4	112,5	52,4
38	154,5	152,6	72,6

New design

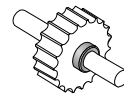
30990a

Features:

- Very high strength.
- Split versions: quick and easy replacement.
- Foolproof design.
- Completely closed structure, easy to clean and to disinfect.
- Excellent wear and chemical resistance.
- Recyclable.



Information about this product is only available on our Smart Guide® website.



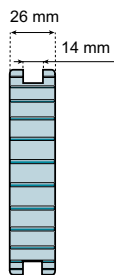
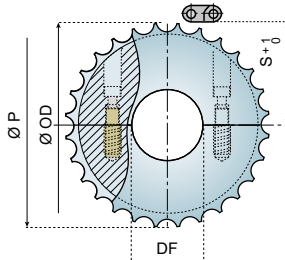
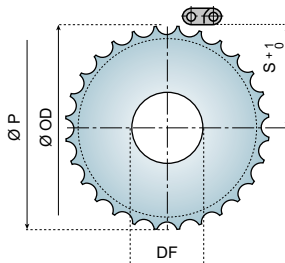
Set collars, go to:

54630a



See belts 2122:

30073a



MACHINED RETURN SPROCKETS - ONE PIECE				
Z	Ø 18* (R18M) Ø 23* (R23M)	Ø 25	Ø 30	Ø 40
ITEM DESCRIPTION				
14	2122-14R18M-RM	2122-14R25M-RM	2122-14R30M-RM	-
20	2122-20R18M-RM	2122-20R25M-RM	2122-20R30M-RM	-
24	2122-24R18M-RM	2122-24R25M-RM	2122-24R30M-RM	-

MACHINED RETURN SPROCKETS - SPLIT				
Z	Ø 25	Ø 30	Ø 40	
28	2122-28R23M-RMS	2122-28R25M-RMS	2122-28R30M-RMS	2122-28R40M-RMS
38	2122-38R23M-RMS	2122-38R25M-RMS	2122-38R30M-RMS	2122-38R40M-RMS

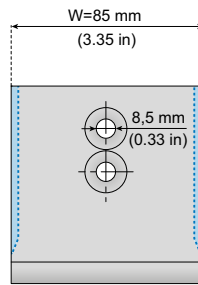
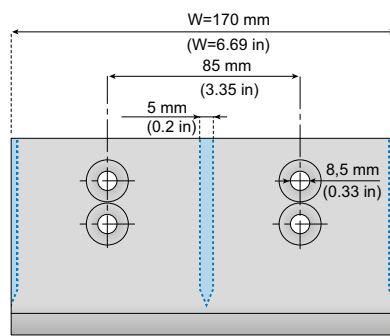
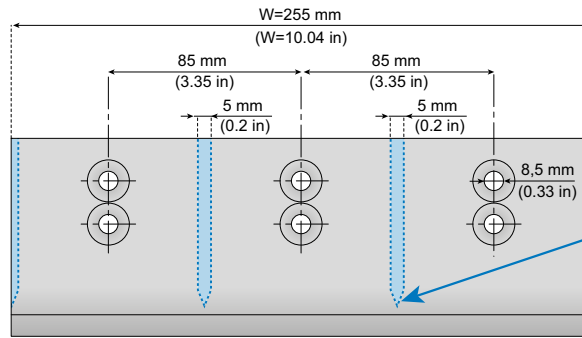
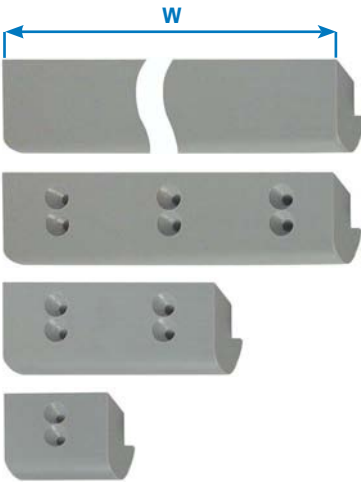
Material: polyamide (natural white), screws in stainless steel, bushings in brass. *Plain bore

Chains & sprockets	Wear strips	Side guide brackets & accessories	Levelers	Engineering manual
Modular belts & sprockets	Chain & belt return systems	Frame & structure supports	Bearing supports	
Curves & tracks	Side guide solutions	Miscellaneous products	Equipment	

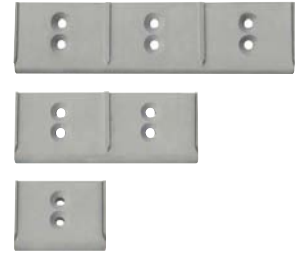
30175a

NOSE BAR FOR 2120 BELTS (1/2" - 12,7 mm PITCH)

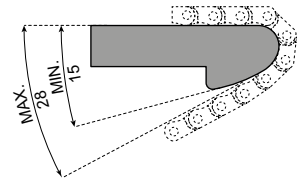
www.SystemPlastSmartGuide.com



RIBS ONLY FOR 2120M

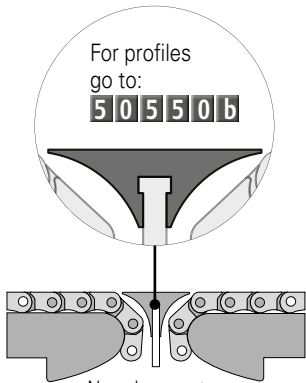


Sagline angle



For profiles go to:

50550b

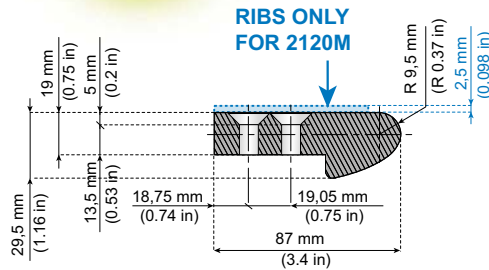


Nose bar creates extremely short transfers

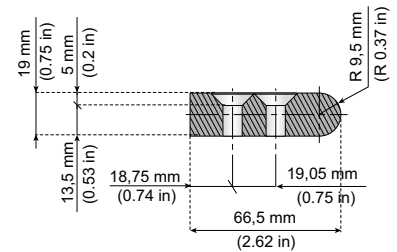


PATENTED

New SILENT NOSE BAR



STANDARD NOSE BAR



See straight running belts with 1/2" - 12,7 mm pitch:

30020a

ITEM DESCRIPTION	W mm	W in
SNB2120-NS-85H	85	3.35
SNB2120-NS-170H	170	6.69
SNB2120-NS-255H	255	10.04
SNB2120-NS-1200	1200	47.24

ITEM DESCRIPTION	W mm	W in
NB2120-NS-85H	85	3.35
NB2120-NS-170H	170	6.69
NB2120-NS-255H	255	10.04
NB2120-NS-1200	1200	47.24



See side flexing belts 2120M:

30720a

ITEM DESCRIPTION	W mm	W in
SNB2120M-NS-85H	85	3.35
SNB2120M-NS-170H	170	6.69
SNB2120M-NS-255H	255	10.04

Note:

1,2 m nose bar are supplied WITHOUT holes

Note:

1,2 m nose bar are supplied WITHOUT holes

Chains & sprockets	Wear strips	Side guide brackets & accessories	Levelers	Engineering manual
Modular belts & sprockets	Chain & belt return systems	Frame & structure supports	Bearing supports	
Curves & tracks	Side guide solutions	Miscellaneous products	Equipment	

3 0 1 9 0 a

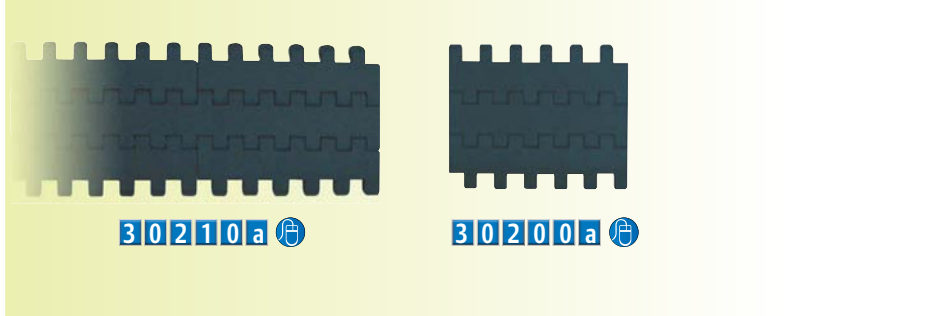
INDEX MODULAR BELTS

www.SystemPlastSmartGuide.com

19,05 mm (3/4") PITCH - THICKNESS: 8,7 mm (0.34 in)


Information about this product is only available on our Smart Guide® website.

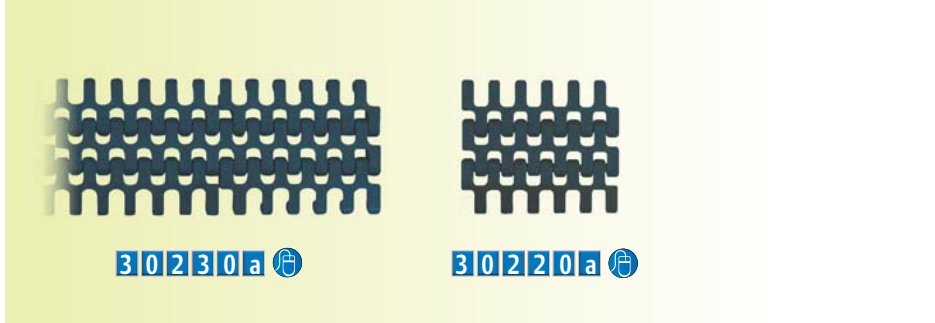
FLAT TOP VERSION - 2190 FT



FLAT TOP VERSION WITH TRANSFER WING - 2190 FT



FLUSH GRID VERSION - 2190 FG



Chains & sprockets	Wear strips	Side guide brackets & accessories	Levelers	Engineering manual
Modular belts & sprockets	Chain & belt return systems	Frame & structure supports	Bearing supports	
Curves & tracks	Side guide solutions	Miscellaneous products	Equipment	

30200a

19,05 mm (3/4") MODULAR BELTS 2190

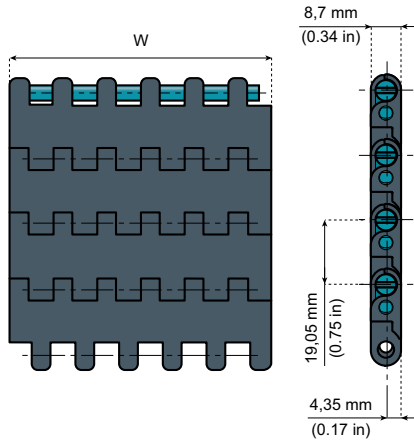
www.SystemPlastSmartGuide.com

FLAT TOP VERSION



NG® evo conveyor components made from engineered plastic resin
 Longer wearlife than acetal
 Lower friction than acetal
 Good chemical resistance
 High abrasion resistance
 It meets the requirement for materials as stated by EC1935/2004 and FDA CFR21 norms for direct food contact
 Less dust than with acetal chains
 More.....

SINGLE TRACK



Standard material

NGE (GREY BLUE)

New Generation®

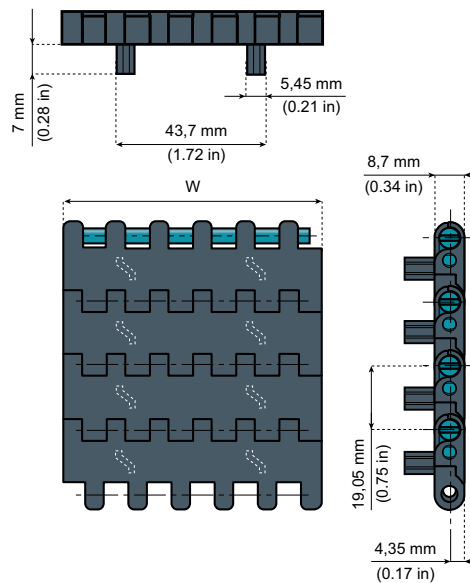
materials details:

73563a

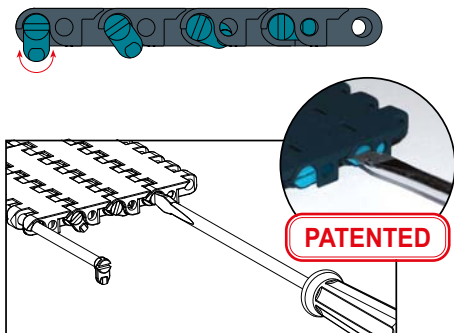
ITEM DESCRIPTION	MATERIAL	WIDTH W		PITCH P		BACKFLEX RADIUS		MAX LOAD CAPACITY		WEIGHT	
		mm	in	mm	in	mm	in	N	lbs	Kg/m	lbs/ft.
NGE2190FT-K300	NGE Grey Blue	76,2	3	19,05	0.75	20	0.79	2070	460	0,6	0.4
NGE2190FT-K325		82,6	3.25					2250	500	0,6	0.4
NGE2190FT-K450		114,3	4.5					3060	680	0,8	0.54
NGE2190FT-K600		152,4	6					4150	910	1,1	0.74
NGE2190FT-K750		190,5	7.5					5150	1140	1,4	0.94

Standard length: 160 pitches (3,048 m - 10 ft.)

SINGLE TRACK WITH POSITIONER



New NG evo



Pin material: PBT (water blue)

ITEM DESCRIPTION	MATERIAL	WIDTH W		PITCH P		BACKFLEX RADIUS		MAX LOAD CAPACITY		WEIGHT	
		mm	in	mm	in	mm	in	N	lbs	Kg/m	lbs/ft.
NGE2190FT-PT-K300	NGE Grey Blue	76,2	3	19,05	0.75	20	0.79	2070	460	0,6	0.4
NGE2190FT-PT-K325		82,6	3.25					2250	500	0,6	0.4
NGE2190FT-PT-K450		114,3	4.5					3060	680	0,8	0.54
NGE2190FT-PT-K600		152,4	6					4150	910	1,1	0.74
NGE2190FT-PT-K750		190,5	7.5					5150	1140	1,4	0.94

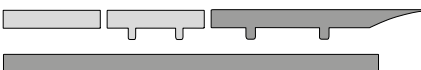
Standard length: 160 pitches (3,048 m - 10 ft.)

Other version for 19,05 mm (3/4") belts:

2190 FG



Notes:
Schematic presentation of all flat top 19,05 mm (3/4") pitch belts



30235a



Information about this product is only available on our Smart Guide® website.

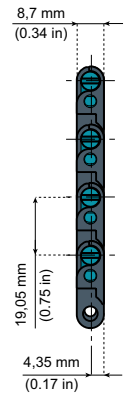
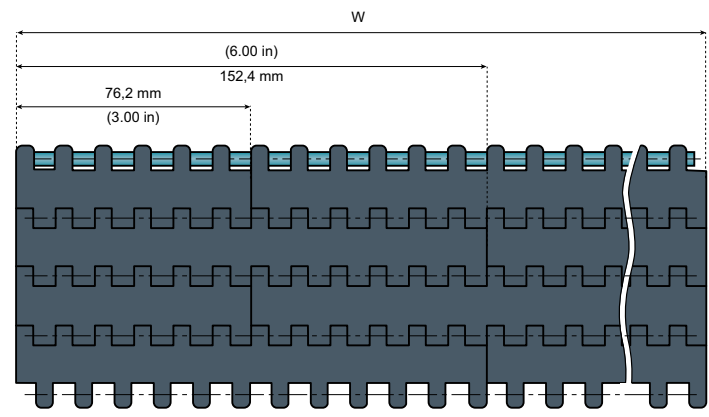
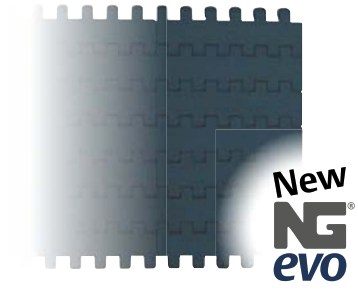
Chains & sprockets	Wear strips	Side guide brackets & accessories	Levelers	Engineering manual
Modular belts & sprockets	Chain & belt return systems	Frame & structure supports	Bearing supports	
Curves & tracks	Side guide solutions	Miscellaneous products	Equipment	

3 0 2 1 0 a

19,05 mm (¾") MODULAR BELTS 2190

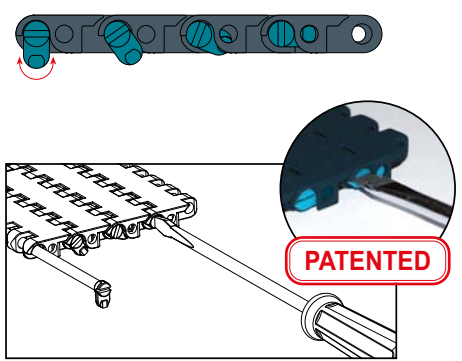
FLAT TOP VERSION

www.SystemPlastSmartGuide.com



NG® EVO conveyor components
made from engineered plastic resin
 Longer wearlife than acetal
 Lower friction than acetal
 Good chemical resistance
 High abrasion resistance
 It meets the requirement for materials as stated by EC1935/2004 and FDA CFR21 norms for direct food contact
 Less dust than with acetal chains
 More.....

- Backflex radius:** 20 mm (0.79 in)
- Max load capacity:** 27000 N/m (1800 lbs/ft.)
- Weight:** 8,2 Kg/m² (1.67 lbs/ft².)
- Pin material: PBT (water blue)
- Standard length:**
 - width ≤ 15 in: 3,048 m (10 ft.)
 - width > 15 in ≤ 66 in: 1,524 m (5 ft.)
 - width > 66 in: on request



Standard material
NGE (GREY BLUE)
 New Generation®
 materials details:
7 3 5 6 3 a

Other version for 19,05 mm (¾") belts:
2190 FG

Notes:
 Schematic presentation of all flat top 19,05 mm (¾") pitch belts

Information about this product is only available on our Smart Guide® website.

3 0 2 3 5 a

WIDTH W		ITEM DESCRIPTION
mm	in	
76	3.00	Go to: 3 0 2 0 0 a
152	6.00	
229	9.00	NGE2190FT-K900
305	12.00	NGE2190FT-K1200
381	15.00	NGE2190FT-K1500
457	18.00	NGE2190FT-K1800
533	21.00	NGE2190FT-K2100
610	24.00	NGE2190FT-K2400
686	27.00	NGE2190FT-K2700
762	30.00	NGE2190FT-K3000
838	33.00	NGE2190FT-K3300
914	36.00	NGE2190FT-K3600
991	39.00	NGE2190FT-K3900
1067	42.00	NGE2190FT-K4200
1143	45.00	NGE2190FT-K4500
1219	48.00	NGE2190FT-K4800
1295	51.00	NGE2190FT-K5100
1372	54.00	NGE2190FT-K5400
1448	57.00	NGE2190FT-K5700
1524	60.00	NGE2190FT-K6000
1600	63.00	NGE2190FT-K6300
1676	66.00	NGE2190FT-K6600
1753	69.00	NGE2190FT-K6900
1829	72.00	NGE2190FT-K7200
1905	75.00	NGE2190FT-K7500
1981	78.00	NGE2190FT-K7800
2057	81.00	NGE2190FT-K8100
2134	84.00	NGE2190FT-K8400
2210	87.00	NGE2190FT-K8700
2286	90.00	NGE2190FT-K9000

Other widths available on request.

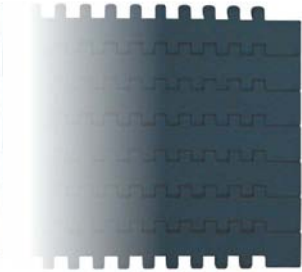
Chains & sprockets	Wear strips	Side guide brackets & accessories	Levelers	Engineering manual
Modular belts & sprockets	Chain & belt return systems	Frame & structure supports	Bearing supports	
Curves & tracks	Side guide solutions	Miscellaneous products	Equipment	



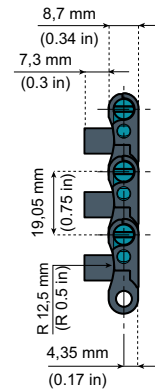
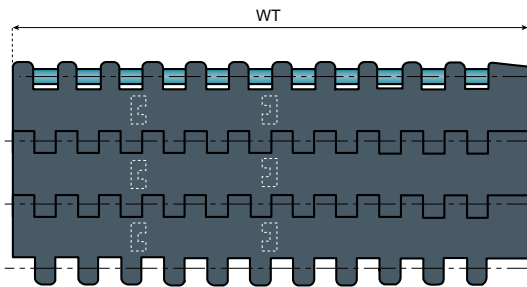
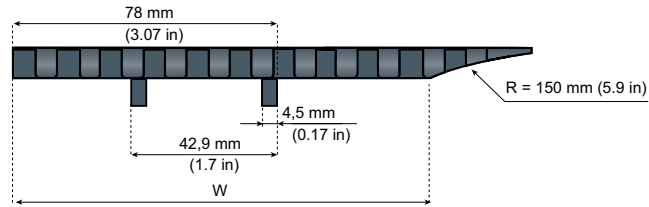
30215a

SINGLE TRACK 19,05 mm (3/4") 2190 WITH TRANSFER WING

www.SystemPlastSmartGuide.com



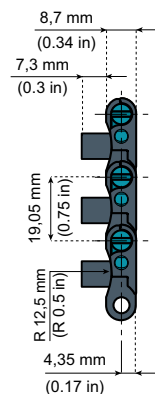
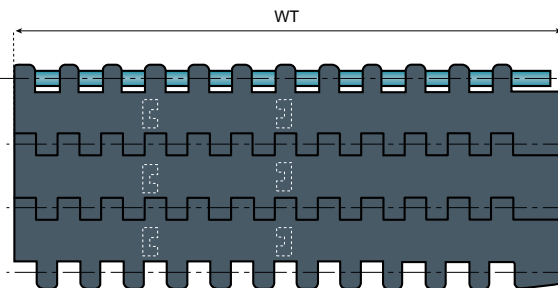
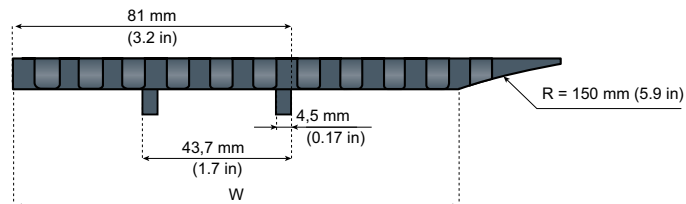
VERSION 4.8 INCHES (TOTAL WIDTH 6 INCHES)



NG® EVO conveyor components
made from **engineered plastic resin**
Longer wearlife than acetal
Lower friction than acetal
Good chemical resistance
High abrasion resistance
It meets the requirement for materials as stated by EC1935/2004 and FDA CFR21 norms for direct food contact
Less dust than with acetal chains
More.....

Backflex radius: 20 mm (0.79 in)
Max load capacity:
K480T: 3300N (730lbs)
K510T: 3500N (780lbs)
Weight: 1,2 Kg/m (0,85 lbs/ft)
Pin material: PBT (water blue)
Standard length: 3,048 m (10ft)

VERSION 5.1 INCHES (TOTAL WIDTH 6.3 INCHES)



Standard material

NGE (GREY BLUE)

New Generation®

materials details:

73563a



PATENTED

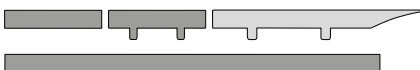
WIDTH W		WIDTH WT		ITEM DESCRIPTION
mm	in	mm	in	
122	4.8	152,4	6.0	NGE2190FT-PT-K480T
130	5.1	160,0	6.3	NGE2190FT-PT-K510T

Other version for 19,05 mm (3/4") belts:

2190 FG



Notes:
Schematic presentation of all flat top 19,05 mm (3/4") pitch belts



30235a



Information about this product is only available on our Smart Guide® website.

Chains & sprockets	Wear strips	Side guide brackets & accessories	Levelers	Engineering manual
Modular belts & sprockets	Chain & belt return systems	Frame & structure supports	Bearing supports	
Curves & tracks	Side guide solutions	Miscellaneous products	Equipment	

3 0 2 2 0 a

19,05 mm (3/4") MODULAR BELTS 2190

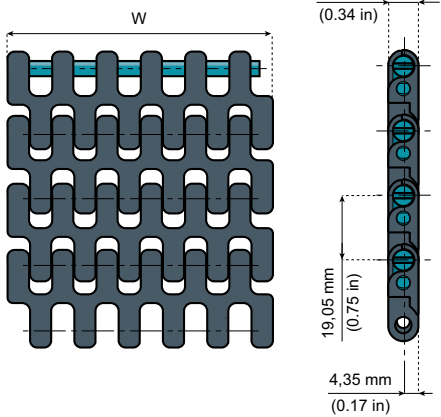
www.SystemPlastSmartGuide.com

FLUSH GRID VERSION



NG[®] evo conveyor components made from engineered plastic resin
 Longer wearlife than acetal
 Lower friction than acetal
 Good chemical resistance
 High abrasion resistance
 It meets the requirement for materials as stated by EC1935/2004 and FDA CFR21 norms for direct food contact
 Less dust than with acetal chains
 More.....

SINGLE TRACK



Standard material

NGE (GREY BLUE)
 New Generation®

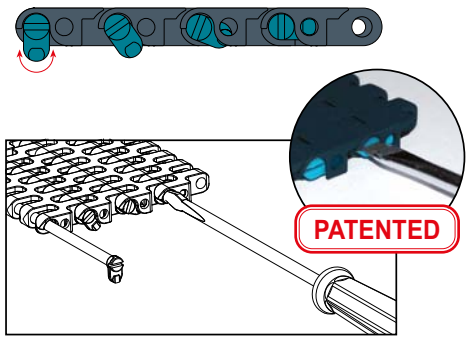
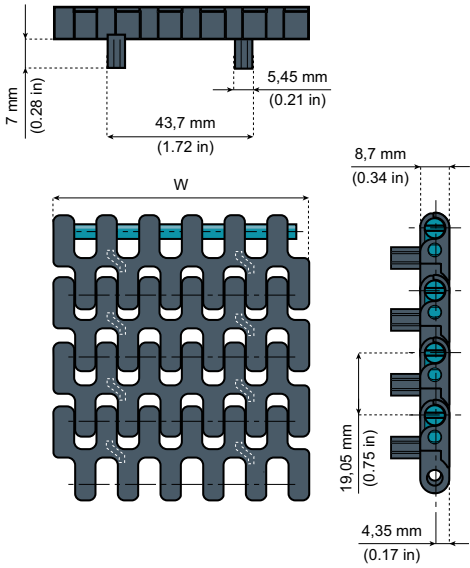
materials details:
7 3 5 6 3 a

Pin material: PBT (water blue) Open surface: 19%

ITEM DESCRIPTION	MATERIAL	WIDTH W		PITCH P		BACKFLEX RADIUS		MAX LOAD CAPACITY		WEIGHT	
		mm	in	mm	in	mm	in	N	lbs	Kg/m	lbs/ft.
NGE2190FG-K300	NGE Grey Blue	76,2	3	19,05	0.75	20	0.79	2070	460	0,5	0.34
NGE2190FG-K325		82,6	3.25					2250	500	0,5	0.34
NGE2190FG-K450		114,3	4.5					3060	680	0,7	0.47
NGE2190FG-K600		152,4	6					4150	910	1	0.67
NGE2190FG-K750		190,5	7.5					5150	1140	1,2	0.81

Standard length: 160 pitches (3,048 m - 10 ft.)

SINGLE TRACK WITH POSITIONER



Pin material: PBT (water blue) Open surface: 19%

ITEM DESCRIPTION	MATERIAL	WIDTH W		PITCH P		BACKFLEX RADIUS		MAX LOAD CAPACITY		WEIGHT	
		mm	in	mm	in	mm	in	N	lbs	Kg/m	lbs/ft.
NGE2190FG-PT-K300	NGE Grey Blue	76,2	3	19,05	0.75	20	0.79	2070	460	0,5	0.34
NGE2190FG-PT-K325		82,6	3.25					2250	500	0,5	0.34
NGE2190FG-PT-K450		114,3	4.5					3060	680	0,7	0.47
NGE2190FG-PT-K600		152,4	6					4150	910	1	0.67
NGE2190FG-PT-K750		190,5	7.5					5150	1140	1,2	0.81

Standard length: 160 pitches (3,048 m - 10 ft.)

Other version for 19,05 mm (3/4") belts:

2190 FT

Notes:
 Schematic presentation of all flat top 19,05 mm (3/4") pitch belts



Information about this product is only available on our Smart Guide® website.

Chains & sprockets	Wear strips	Side guide brackets & accessories	Levelers	Engineering manual
Modular belts & sprockets	Chain & belt return systems	Frame & structure supports	Bearing supports	
Curves & tracks	Side guide solutions	Miscellaneous products	Equipment	

3 0 2 3 0 a

19,05 mm (3/4") MODULAR BELTS 2190

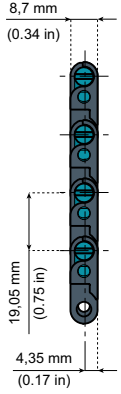
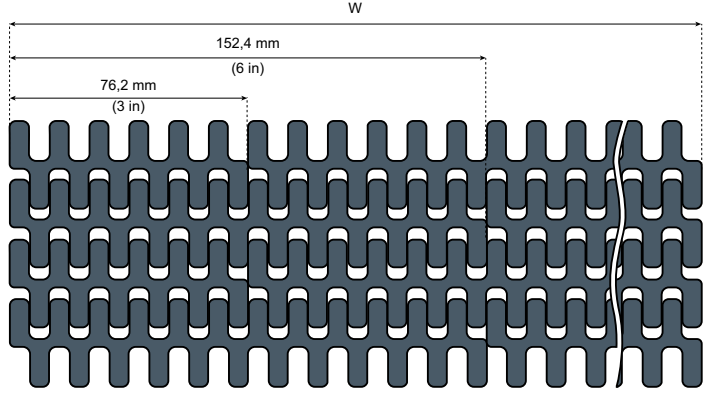
FLUSH GRID VERSION

www.SystemPlastSmartGuide.com

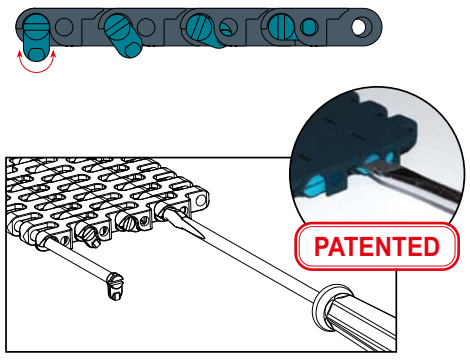


New NG evo

NG® evo conveyor components made from engineered plastic resin
 Longer wearlife than acetal
 Lower friction than acetal
 Good chemical resistance
 High abrasion resistance
 It meets the requirement for materials as stated by EC1935/2004 and FDA CFR21 norms for direct food contact
 Less dust than with acetal chains
 More.....



- Backflex radius:** 20 mm (0.79 in)
- Max load capacity:** 27000 N/m (1800 lbs/ft.)
- Weight:** 7,7 Kg/m² (1.57 lbs/ft².)
- Pin material:** PBT (water blue)
- Open surface:** 19%
- Standard length:**
 width ≤ 15 in: 3,048 m (10 ft.)
 width > 15 in ≤ 66 in: 1,524 m (5 ft.)
 width > 66 in: on request



PATENTED

Standard material
NGE (GREY BLUE)
 New Generation®

materials details:
7 3 5 6 3 a

Other version for 19,05 mm (3/4") belts:
2190 FT

Notes:
 Schematic presentation of all flat top 19,05 mm (3/4") pitch belts

Information about this product is only available on our Smart Guide® website.

3 0 2 3 5 a

WIDTH W		ITEM DESCRIPTION
mm	in	
76	3.00	Go to: 3 0 2 2 0 a
152	6.00	
229	9.00	NGE2190FG-K900
305	12.00	NGE2190FG-K1200
381	15.00	NGE2190FG-K1500
457	18.00	NGE2190FG-K1800
533	21.00	NGE2190FG-K2100
610	24.00	NGE2190FG-K2400
686	27.00	NGE2190FG-K2700
762	30.00	NGE2190FG-K3000
838	33.00	NGE2190FG-K3300
914	36.00	NGE2190FG-K3600
991	39.00	NGE2190FG-K3900
1067	42.00	NGE2190FG-K4200
1143	45.00	NGE2190FG-K4500
1219	48.00	NGE2190FG-K4800
1295	51.00	NGE2190FG-K5100
1372	54.00	NGE2190FG-K5400
1448	57.00	NGE2190FG-K5700
1524	60.00	NGE2190FG-K6000
1600	63.00	NGE2190FG-K6300
1676	66.00	NGE2190FG-K6600
1753	69.00	NGE2190FG-K6900
1829	72.00	NGE2190FG-K7200
1905	75.00	NGE2190FG-K7500
1981	78.00	NGE2190FG-K7800
2057	81.00	NGE2190FG-K8100
2134	84.00	NGE2190FG-K8400
2210	87.00	NGE2190FG-K8700
2286	90.00	NGE2190FG-K9000

Other widths available on request.

Chains & sprockets	Wear strips	Side guide brackets & accessories	Levelers	Engineering manual
Modular belts & sprockets	Chain & belt return systems	Frame & structure supports	Bearing supports	
Curves & tracks	Side guide solutions	Miscellaneous products	Equipment	

30235a

DRIVE AND RETURN SPROCKETS

www.SystemPlastSmartGuide.com

FOR BELT 2190

Note:

Sprockets with 'fixed' bores (standard split types) do not follow the expansion or contraction of a belt and therefore can be used only for belts widths up to 680 mm (27-in) and temperature differences of maximum 30°C (86°F).

For all other applications we recommend using floating sprockets. Sprockets that normally have a 'fixed' or 'tight' bore can be made 'floating' on request. In that case just add the letter P to the standard item description.

For example, code **2190-17R25M-DPMS**

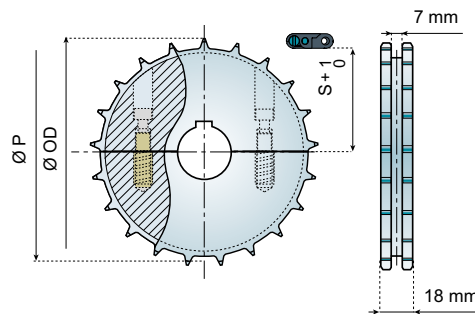
Sprockets with 'tight' bores (standard one piece types) can be a cost effective solution for many applications, but if the belt is wider than 680 mm (27-in) and large temperature fluctuations (> 30°C - 86°F) occur, we recommend using the floating versions. 'Tight' and 'floating' bore sprockets are recommended to be kept in position with set collars or with help of the positioners of the belt.

New design

30990a

Features:

- Very high strength.
- Split versions: quick and easy replacement.
- Foolproof design.
- Completely closed structure, easy to clean and to disinfect.
- Excellent wear and chemical resistance.
- Recyclable.



Z	Ø OD mm	Ø P mm	S mm
17	103,4	100,7	46
21	128,7	127,8	58,65
24	145,6	142,9	67,1
25	151,7	149	70,15

MACHINED DRIVE SPROCKETS - SPLIT FIXED

Z	Ø 23*	Ø 25	Ø 30	Ø 35	Ø 40
	ITEM DESCRIPTION				
17	-	2190-17R25M-DMS	2190-17R30M-DMS	2190-17R35M-DMS	-
21	-	2190-21R25M-DMS	2190-21R30M-DMS	2190-21R35M-DMS	2190-21R40M-DMS
24	-	2190-24R25M-DMS	2190-24R30M-DMS	2190-24R35M-DMS	2190-24R40M-DMS
25	-	2190-25R25M-DMS	2190-25R30M-DMS	2190-25R35M-DMS	2190-25R40M-DMS

MACHINED RETURN SPROCKETS - SPLIT

17	2190-17R23M-RMS	2190-17R25M-RMS	2190-17R30M-RMS	2190-17R35M-RMS	-
21	2190-21R23M-RMS	2190-21R25M-RMS	2190-21R30M-RMS	2190-21R35M-RMS	2190-21R40M-RMS
24	2190-24R23M-RMS	2190-24R25M-RMS	2190-24R30M-RMS	2190-24R35M-RMS	2190-24R40M-RMS
25	2190-25R23M-RMS	2190-25R25M-RMS	2190-25R30M-RMS	2190-25R35M-RMS	2190-25R40M-RMS

MACHINED DRIVE SPROCKETS SQUARE BORE - SPLIT FLOATING

Z	-	-	∅ 30X30	-	∅ 40X40
17	-	-	2190-17S30M-DMS	-	-
21	-	-	2190-21S30M-DMS	-	2190-21S40M-DMS
24	-	-	2190-24S30M-DMS	-	2190-24S40M-DMS
25	-	-	2190-25S30M-DMS	-	2190-25S40M-DMS

Material: polyamide (natural white), screws in stainless steel, bushings in brass. *Plain bore

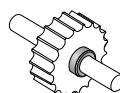


See belts 2190:

30190a



Information about this product is only available on our Smart Guide® website.



Set collars, go to:

54630a

Chains & sprockets	Wear strips	Side guide brackets & accessories	Levelers	Engineering manual
Modular belts & sprockets	Chain & belt return systems	Frame & structure supports	Bearing supports	
Curves & tracks	Side guide solutions	Miscellaneous products	Equipment	

3 0 3 0 0 a

INDEX MODULAR BELTS

www.SystemPlastSmartGuide.com

25,4 mm (1") PITCH - THICKNESS: 8,7 mm (0.34 in)

FLAT TOP VERSION - 2250 FT



3 0 3 2 5 a



3 0 3 1 1 0 a ⓘ

FLAT TOP - 2253 FT

FLAT TOP - VACUUM - 2253 FT

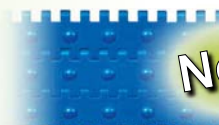
ROLLER TOP - 2253RTC



3 0 3 3 0 a



3 0 3 9 8 n



3 0 3 9 8 a

New

FLAT TOP VERSION WITH TRANSFER WING - 2250 FT

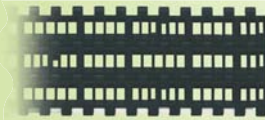


3 0 3 2 0 a ⓘ

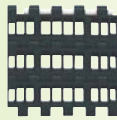


3 0 3 4 0 a ⓘ

FLUSH GRID VERSION - 2250 FG

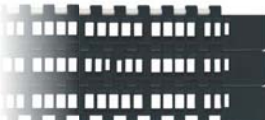


3 0 3 6 0 a



3 0 3 5 0 a ⓘ

FLUSH GRID VERSION WITH TRANSFER WING - 2250 FG



3 0 3 7 0 a



3 0 3 8 0 a ⓘ

VERSION WITH RUBBER INSERTS - 2250 VG



3 0 7 1 0 a

2250 TAB FT



3 0 7 0 0 a

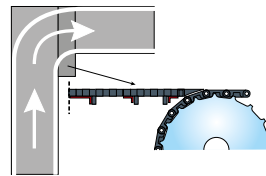
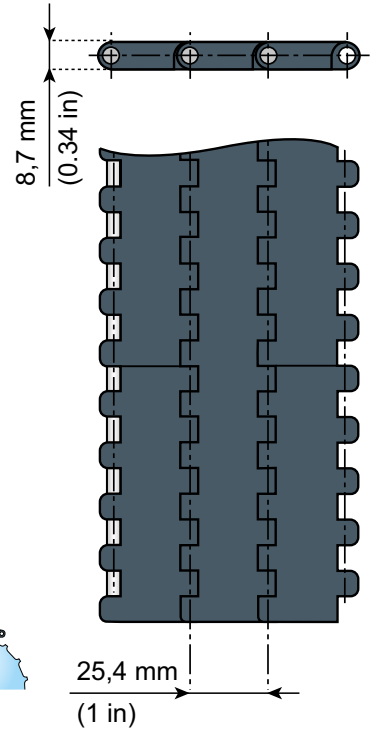
2260 M FT

New



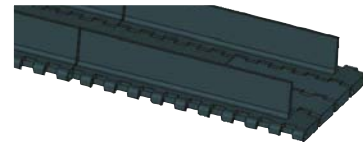
3 0 7 0 0 a

2260 M FG



Information about this product is only available on our Smart Guide® website.

Belts with flights



page code: 3 0 3 6 5 a



Chains & sprockets	Wear strips	Side guide brackets & accessories	Levelers	Engineering manual
Modular belts & sprockets	Chain & belt return systems	Frame & structure supports	Bearing supports	
Curves & tracks	Side guide solutions	Miscellaneous products	Equipment	

30310a

25,4 mm (1") 2250 MODULAR BELTS - THICKNESS: 8,7 mm (0.34 in)

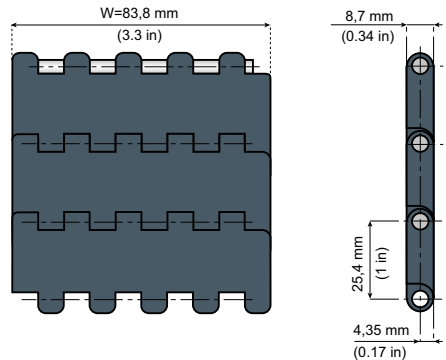
FLAT TOP VERSION

www.SystemPlastSmartGuide.com



NG® evo conveyor components made from engineered plastic resin
 Longer wearlife than acetal
 Lower friction than acetal
 Good chemical resistance
 High abrasion resistance
 It meets the requirement for materials as stated by EC1935/2004 and FDA CFR21 norms for direct food contact
 Less dust than with acetal chains
 More.....

SINGLE TRACK



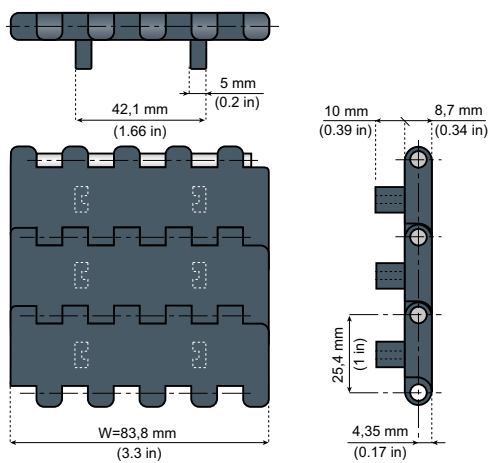
Pin material: PBT (white)

ITEM DESCRIPTION	MATERIAL	WIDTH W		PITCH P		BACKFLEX RADIUS		MAX LOAD CAPACITY		WEIGHT	
		mm	in	mm	in	mm	in	N	lbs	Kg/m	lbs/ft.
NGE2250FT-K330	NGE Grey Blue	83,8	3.3	25,4	1	25	0.98	1890	425	0,6	0.4
LFG2250FT-K330	LFG Grey	83,8	3.3	25,4	1	25	0.98	2100	470	0,6	0.4

Standard length: 120 pitches (3,048 m - 10 ft.)



SINGLE TRACK WITH POSITIONER



Pin material: PBT (white)

ITEM DESCRIPTION	MATERIAL	WIDTH W		PITCH P		BACKFLEX RADIUS		MAX LOAD CAPACITY		WEIGHT	
		mm	in	mm	in	mm	in	N	lbs	Kg/m	lbs/ft.
NGE2250FT-PT-K330	NGE Grey Blue	83,8	3.3	25,4	1	25	0.98	1890	425	0,6	0.4
LFG2250FT-PT-K330	LFG Grey	83,8	3.3	25,4	1	25	0.98	2100	470	0,6	0.4

Standard length: 120 pitches (3,048 m - 10 ft.)

Notes: Schematic presentation of all flat top 25,4 mm (1") pitch belts. Thickness: 8,7 mm (0.34 in)

Other versions for 25,4 mm (1") belts:

- FG Flush grid**
- VG Rubber insert**
- FT Vacuum**
- RTC Roller top**

Standard materials

- NGE (GREY BLUE)**
New Generation®
- LFG (GREY)**
Low friction acetal resin

materials details:
73563a

Information about this product is only available on our Smart Guide® website.

Chains & sprockets	Wear strips	Side guide brackets & accessories	Levelers	Engineering manual
Modular belts & sprockets	Chain & belt return systems	Frame & structure supports	Bearing supports	
Curves & tracks	Side guide solutions	Miscellaneous products	Equipment	

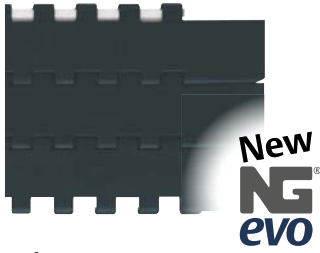


30320a

25,4 mm (1") 2250 WITH TRANSFER WING - THICKNESS: 8,7 mm (0.34 in)

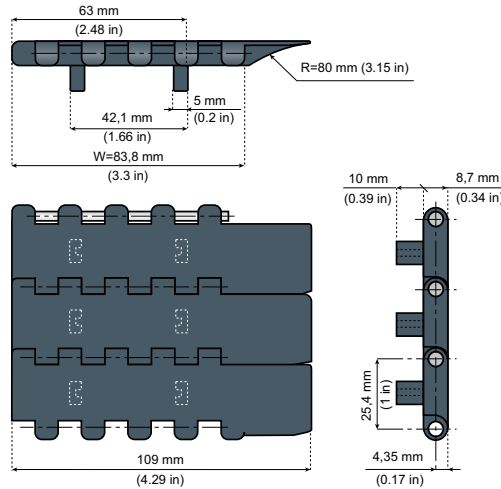
www.SystemPlastSmartGuide.com

SINGLE TRACK



New NG EVO

NG® EVO conveyor components made from engineered plastic resin
 Longer wearlife than acetal
 Lower friction than acetal
 Good chemical resistance
 High abrasion resistance
 It meets the requirement for materials as stated by EC1935/2004 and FDA CFR21 norms for direct food contact
 Less dust than with acetal chains
 More.....



Standard material

NGE (GREY BLUE)

New Generation®

materials details:

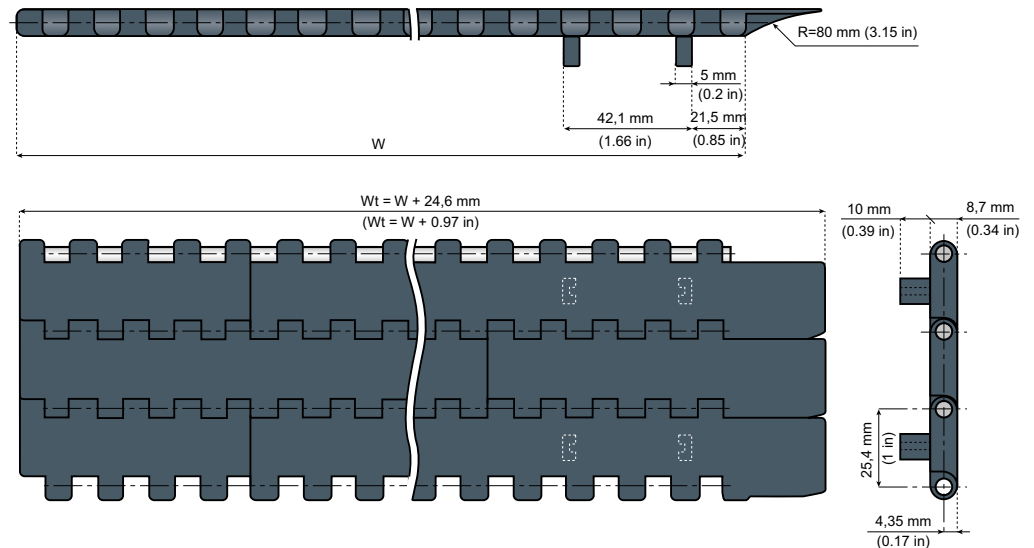
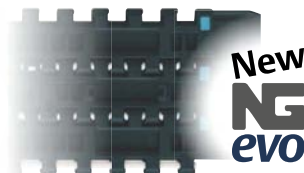
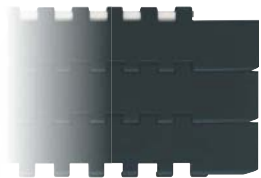
73563a

Pin material: PBT (white)

ITEM DESCRIPTION	MATERIAL	WIDTH W		PITCH P		BACKFLEX RADIUS		MAX LOAD CAPACITY		WEIGHT	
		mm	in	mm	in	mm	in	N	lbs	Kg/m	lbs/ft.
NGE2250FT-PT-K330T	NGE Grey Blue	83,8	3.3	25,4	1	30	1.18	1890	425	0,7	0.47

Standard length: 120 pitches (3,048 m - 10 ft.)

WIDER VERSIONS



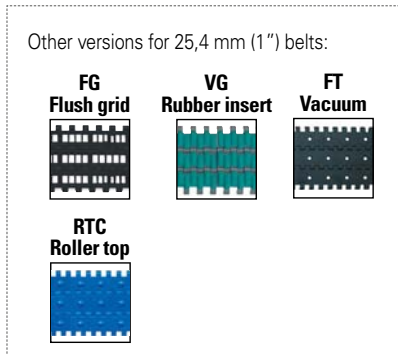
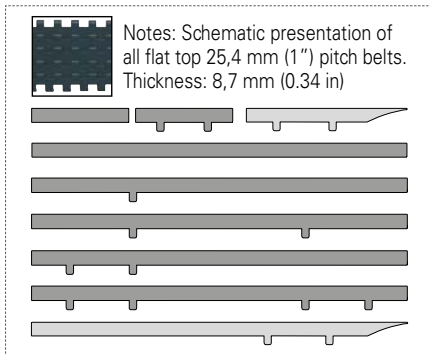
Backflex radius: 30 mm (1.18 in)
Max load capacity: 22500 N/m (1530 lbs/ft)
Weight: 7,4 Kg/m² (1.51 lbs/ft².)
Pin material: PBT (white)
Standard length:
 width ≤ 340 mm: 3,048 m
 width > 340 mm ≤ 1700 mm: 1,524 m
 width > 1700 mm: on request



30395a



Information about this product is only available on our Smart Guide® website.



WIDTH W		ITEM DESCRIPTION
mm	in	
85	3.35	NGE2250FT-PT-M0085T
170	6.69	NGE2250FT-PT-M0170T
255	10.04	NGE2250FT-PT-M0255T
340	13.39	NGE2250FT-PT-M0340T
425	16.73	NGE2250FT-PT-M0425T
510	20.08	NGE2250FT-PT-M0510T

Other widths available on request.

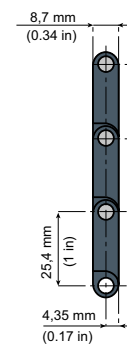
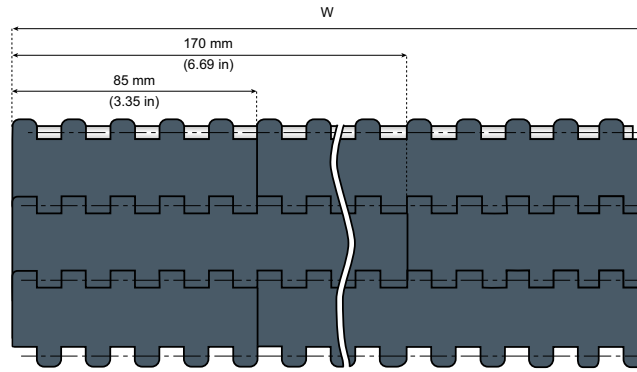
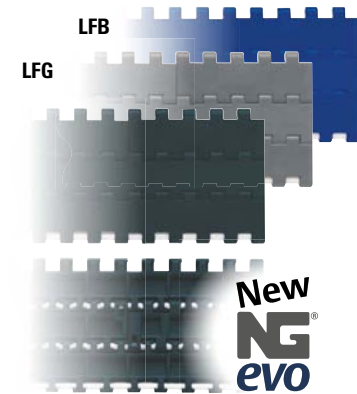
Chains & sprockets	Wear strips	Side guide brackets & accessories	Levelers	Engineering manual
Modular belts & sprockets	Chain & belt return systems	Frame & structure supports	Bearing supports	
Curves & tracks	Side guide solutions	Miscellaneous products	Equipment	

3 0 3 2 5 a

25,4 mm (1") 2250 MODULAR BELTS - THICKNESS: 8,7 mm (0.34 in)

www.SystemPlastSmartGuide.com

FLAT TOP VERSION

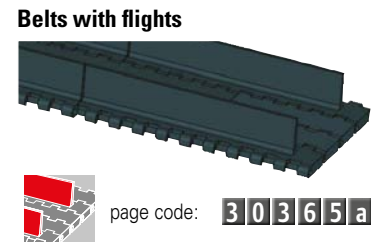
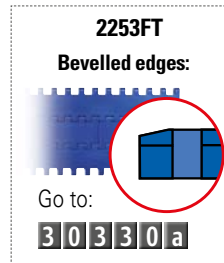


NG® evo conveyor components made from engineered plastic resin

- Longer wearlife than acetal
- Lower friction than acetal
- Good chemical resistance
- High abrasion resistance
- It meets the requirement for materials as stated by EC1935/2004 and FDA CFR21 norms for direct food contact
- Less dust than with acetal chains
- More.....

Backflex radius: 25 mm (0.98 in)
Max load capacity (LFG & LFB): 25000 N/m (1700 lbs/ft.)
Weight: 7,4 Kg/m² (1.51 lbs/ft.²)
Pin material: PBT (white)
Standard length:

width ≤ 340 mm (13.39 in): 3,048 m (10 ft.)
width > 340 mm (13.39 in) ≤ 1700 mm (66.93 in): 1,524 m (5 ft.)
width > 1700 mm (66.93 in): on request



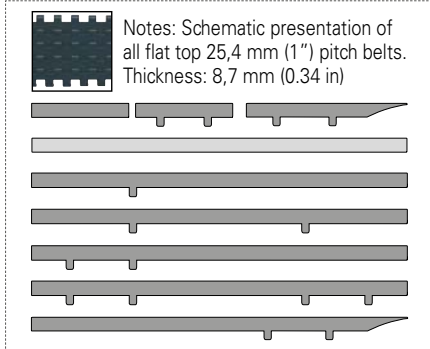
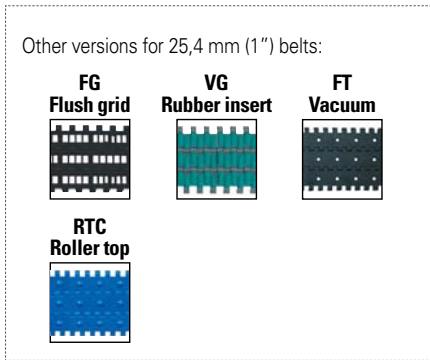
Standard materials

NGE (GREY BLUE)	LFG (GREY)	LFB (BLUE)
New Generation®	Low friction acetal resin	

materials details: **7 3 5 6 3 a**

Information about this product is only available on our Smart Guide® website.

3 0 3 9 5 a



WIDTH W		ITEM DESCRIPTION		
mm	in	NGE (GREY BLUE)	LFG (GREY)	LFB (BLUE)
85	3.35	NGE2250FT-M0085	LFG2250FT-M0085	LFB2250FT-M0085
170	6.69	NGE2250FT-M0170	LFG2250FT-M0170	LFB2250FT-M0170
255	10.04	NGE2250FT-M0255	LFG2250FT-M0255	LFB2250FT-M0255
340	13.39	NGE2250FT-M0340	LFG2250FT-M0340	LFB2250FT-M0340
425	16.73	NGE2250FT-M0425	LFG2250FT-M0425	LFB2250FT-M0425
510	20.08	NGE2250FT-M0510	LFG2250FT-M0510	LFB2250FT-M0510
595	23.43	NGE2250FT-M0595	LFG2250FT-M0595	LFB2250FT-M0595
680	26.77	NGE2250FT-M0680	LFG2250FT-M0680	LFB2250FT-M0680
765	30.12	NGE2250FT-M0765	LFG2250FT-M0765	LFB2250FT-M0765
850	33.46	NGE2250FT-M0850	LFG2250FT-M0850	LFB2250FT-M0850
935	36.81	NGE2250FT-M0935	LFG2250FT-M0935	LFB2250FT-M0935
1020	40.16	NGE2250FT-M1020	LFG2250FT-M1020	LFB2250FT-M1020
1105	43.50	NGE2250FT-M1105	LFG2250FT-M1105	LFB2250FT-M1105
1190	46.85	NGE2250FT-M1190	LFG2250FT-M1190	LFB2250FT-M1190
1275	50.20	NGE2250FT-M1275	LFG2250FT-M1275	LFB2250FT-M1275
1360	53.54	NGE2250FT-M1360	LFG2250FT-M1360	LFB2250FT-M1360
1445	56.89	NGE2250FT-M1445	LFG2250FT-M1445	LFB2250FT-M1445
1530	60.24	NGE2250FT-M1530	LFG2250FT-M1530	LFB2250FT-M1530
1615	63.58	NGE2250FT-M1615	LFG2250FT-M1615	LFB2250FT-M1615
1700	66.93	NGE2250FT-M1700	LFG2250FT-M1700	LFB2250FT-M1700
1785	70.28	NGE2250FT-M1785	LFG2250FT-M1785	LFB2250FT-M1785
1870	73.62	NGE2250FT-M1870	LFG2250FT-M1870	LFB2250FT-M1870
1955	76.97	NGE2250FT-M1955	LFG2250FT-M1955	LFB2250FT-M1955
2040	80.31	NGE2250FT-M2040	LFG2250FT-M2040	LFB2250FT-M2040
2125	83.66	NGE2250FT-M2125	LFG2250FT-M2125	LFB2250FT-M2125
2210	87.01	NGE2250FT-M2210	LFG2250FT-M2210	LFB2250FT-M2210
2295	90.35	NGE2250FT-M2295	LFG2250FT-M2295	LFB2250FT-M2295

Other widths available on request.

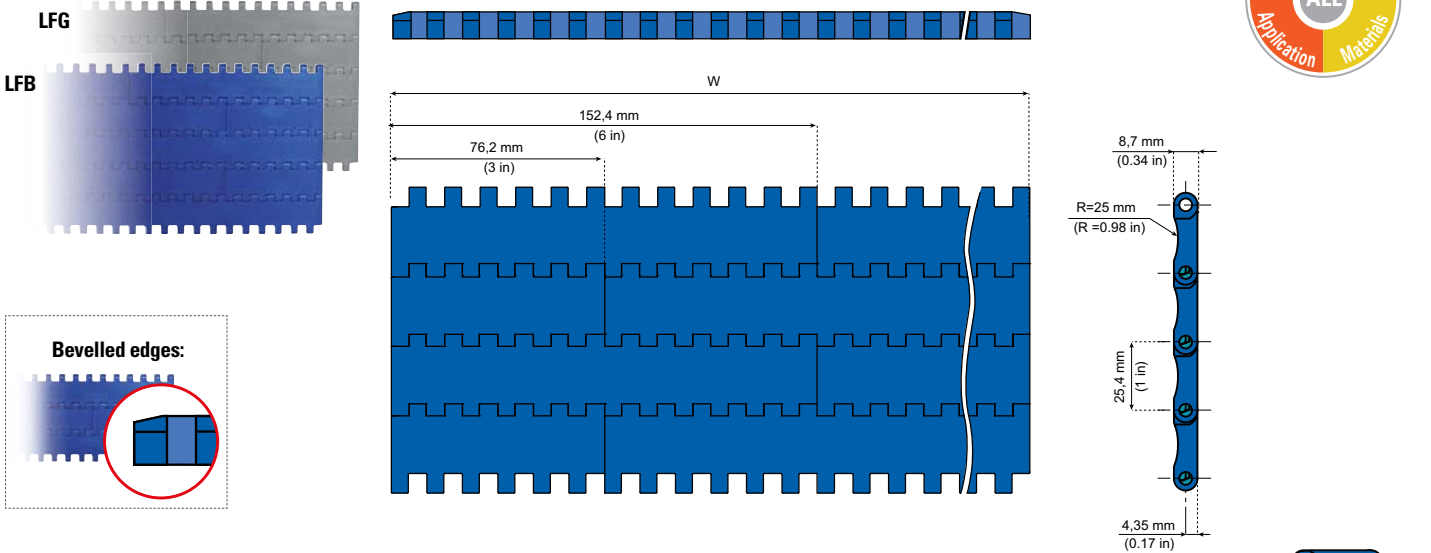
Chains & sprockets	Wear strips	Side guide brackets & accessories	Levelers	Engineering manual
Modular belts & sprockets	Chain & belt return systems	Frame & structure supports	Bearing supports	
Curves & tracks	Side guide solutions	Miscellaneous products	Equipment	

30330a

25,4 mm (1") 2253 MODULAR BELTS - THICKNESS: 8,7 mm (0.34 in)

FLAT TOP VERSION - 76,2 mm (3 in) MODULES

www.SystemPlastSmartGuide.com



Backflex radius: 40 mm (1.58 in)
Max load capacity: 25000 N/m (1700 lbs/ft.)
Weight: 7,3 Kg/m² (1.49 lbs/ft.²)
Standard pin material: PBT (white)
Standard length:
width ≤ 15 in: 3,048 m (10 ft.)
width > 15 in ≤ 66 in: 1,524 m (5 ft.)
width > 66 in: on request



Information about this product is only available on our Smart Guide® website.

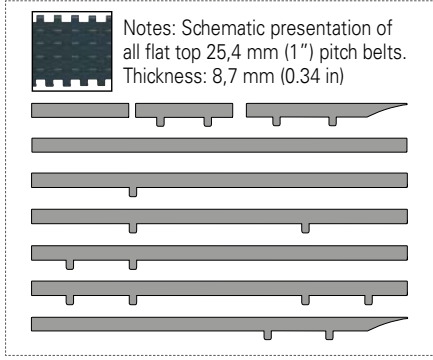
Other versions for 25,4 mm (1") belts:

FG Flush grid	VG Rubber insert	FT Vacuum
RTC Roller top		

Standard materials

LFB (BLUE)
Low friction acetal resin
LFG (GREY)
Low friction acetal resin

materials details:
73563a



Other versions for 25,4 mm (1") belts:

Also available in metric version. Go to:
30325a

WIDTH W		ITEM DESCRIPTION	
mm	in	LFB (BLUE)	LFG (GREY)
76	3.00	LFB2253FT-K300	LFG2253FT-K300
152	6.00	LFB2253FT-K600	LFG2253FT-K600
229	9.00	LFB2253FT-K900	LFG2253FT-K900
305	12.00	LFB2253FT-K1200	LFG2253FT-K1200
381	15.00	LFB2253FT-K1500	LFG2253FT-K1500
457	18.00	LFB2253FT-K1800	LFG2253FT-K1800
533	21.00	LFB2253FT-K2100	LFG2253FT-K2100
610	24.00	LFB2253FT-K2400	LFG2253FT-K2400
686	27.00	LFB2253FT-K2700	LFG2253FT-K2700
762	30.00	LFB2253FT-K3000	LFG2253FT-K3000
838	33.00	LFB2253FT-K3300	LFG2253FT-K3300
914	36.00	LFB2253FT-K3600	LFG2253FT-K3600
991	39.00	LFB2253FT-K3900	LFG2253FT-K3900
1067	42.00	LFB2253FT-K4200	LFG2253FT-K4200
1143	45.00	LFB2253FT-K4500	LFG2253FT-K4500
1219	48.00	LFB2253FT-K4800	LFG2253FT-K4800
1295	51.00	LFB2253FT-K5100	LFG2253FT-K5100
1372	54.00	LFB2253FT-K5400	LFG2253FT-K5400
1448	57.00	LFB2253FT-K5700	LFG2253FT-K5700
1524	60.00	LFB2253FT-K6000	LFG2253FT-K6000
1600	63.00	LFB2253FT-K6300	LFG2253FT-K6300
1676	66.00	LFB2253FT-K6600	LFG2253FT-K6600
1753	69.00	LFB2253FT-K6900	LFG2253FT-K6900
1829	72.00	LFB2253FT-K7200	LFG2253FT-K7200
1905	75.00	LFB2253FT-K7500	LFG2253FT-K7500
1981	78.00	LFB2253FT-K7800	LFG2253FT-K7800
2057	81.00	LFB2253FT-K8100	LFG2253FT-K8100
2134	84.00	LFB2253FT-K8400	LFG2253FT-K8400
2210	87.00	LFB2253FT-K8700	LFG2253FT-K8700
2286	90.00	LFB2253FT-K9000	LFG2253FT-K9000
2362	93.00	LFB2253FT-K9300	LFG2253FT-K9300
2438	96.00	LFB2253FT-K9600	LFG2253FT-K9600

Other widths available on request.

Chains & sprockets	Wear strips	Side guide brackets & accessories	Levelers	Engineering manual
Modular belts & sprockets	Chain & belt return systems	Frame & structure supports	Bearing supports	
Curves & tracks	Side guide solutions	Miscellaneous products	Equipment	

3 0 3 3 5 a

25,4 mm (1") 2250 MODULAR BELTS - THICKNESS: 8,7 mm (0.34 in)

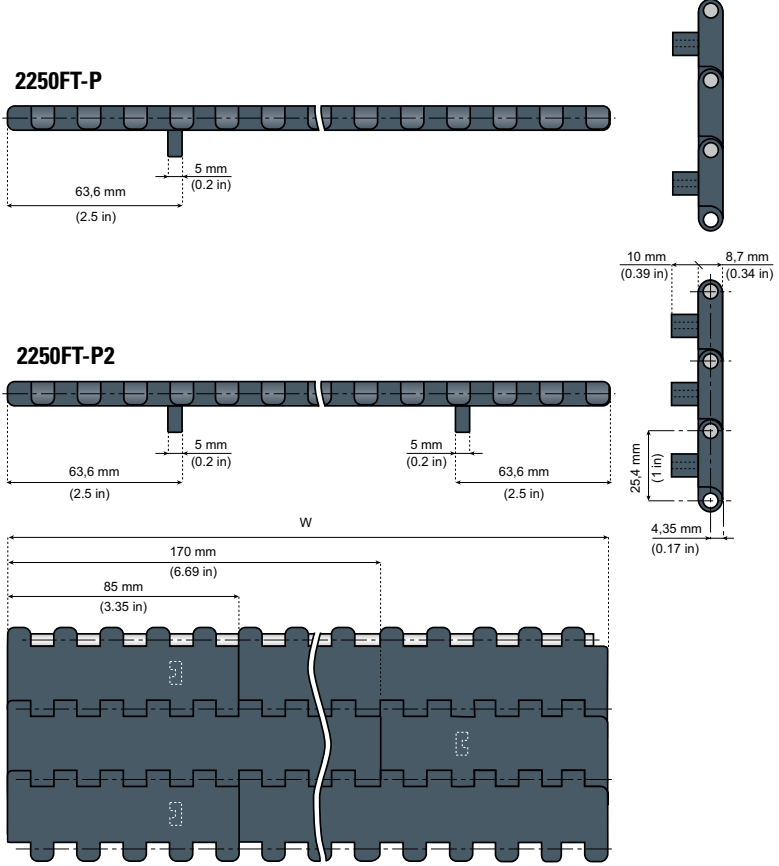
www.SystemPlastSmartGuide.com

FLAT TOP VERSION WITH POSITIONERS



NG® evo conveyor components
made from engineered plastic resin
 Longer wearlife than acetal
 Lower friction than acetal
 Good chemical resistance
 High abrasion resistance
 It meets the requirement for materials as stated by EC1935/2004 and FDA CFR21 norms for direct food contact
 Less dust than with acetal chains
 More.....

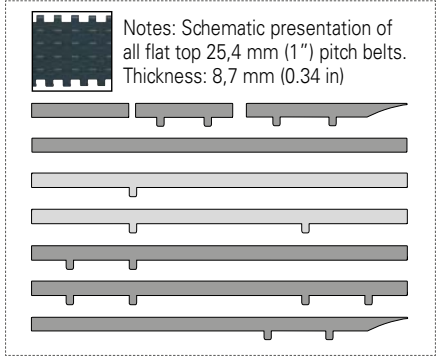
Backflex radius: 25 mm (0.98 in)
Max load capacity: 22500 N/m (1530 lbs/ft.)
Weight: 7,4 Kg/m² (1.51 lbs/ft².)
Pin material: PBT (white)
Standard length:
 width ≤ 340 mm (13.39 in): 3,048 m (10 ft.)
 width > 340 mm (13.39 in) ≤ 1700 mm (66.93 in): 1,524 m (5 ft.)
 width > 1700 mm (66.93 in): on request



3 0 3 9 5 a

Other versions for 25,4 mm (1") belts:

FG Flush grid 	VG Rubber insert 	FT Vacuum
RTC Roller top 		



Information about this product is only available on our Smart Guide® website.

Standard material
NGE (GREY BLUE)
 New Generation®

materials details:
7 3 5 6 3 a

WIDTH W		ITEM DESCRIPTION	ITEM DESCRIPTION
mm	in		
85	3.35	NGE2250FT-P-M0085	Go to: 3 0 3 3 5 b
170	6.69	NGE2250FT-P-M0170	NGE2250FT-P2-M0170
255	10.04	NGE2250FT-P-M0255	NGE2250FT-P2-M0255
340	13.39	NGE2250FT-P-M0340	NGE2250FT-P2-M0340
425	16.73	NGE2250FT-P-M0425	NGE2250FT-P2-M0425
510	20.08	NGE2250FT-P-M0510	NGE2250FT-P2-M0510
595	23.43	NGE2250FT-P-M0595	NGE2250FT-P2-M0595
680	26.77	NGE2250FT-P-M0680	NGE2250FT-P2-M0680
765	30.12	NGE2250FT-P-M0765	NGE2250FT-P2-M0765
850	33.46	NGE2250FT-P-M0850	NGE2250FT-P2-M0850
935	36.81	NGE2250FT-P-M0935	NGE2250FT-P2-M0935
1020	40.16	NGE2250FT-P-M1020	NGE2250FT-P2-M1020
1105	43.50	NGE2250FT-P-M1105	NGE2250FT-P2-M1105
1190	46.85	NGE2250FT-P-M1190	NGE2250FT-P2-M1190
1275	50.20	NGE2250FT-P-M1275	NGE2250FT-P2-M1275
1360	53.54	NGE2250FT-P-M1360	NGE2250FT-P2-M1360
1445	56.89	NGE2250FT-P-M1445	NGE2250FT-P2-M1445
1530	60.24	NGE2250FT-P-M1530	NGE2250FT-P2-M1530
1615	63.58	NGE2250FT-P-M1615	NGE2250FT-P2-M1615
1700	66.93	NGE2250FT-P-M1700	NGE2250FT-P2-M1700
1785	70.28	NGE2250FT-P-M1785	NGE2250FT-P2-M1785
1870	73.62	NGE2250FT-P-M1870	NGE2250FT-P2-M1870

Other widths available on request.

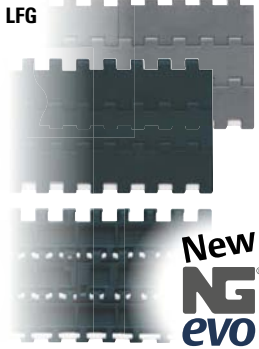
Chains & sprockets	Wear strips	Side guide brackets & accessories	Levelers	Engineering manual
Modular belts & sprockets	Chain & belt return systems	Frame & structure supports	Bearing supports	
Curves & tracks	Side guide solutions	Miscellaneous products	Equipment	

3 0 3 3 5 b

25,4 mm (1") 2250 MODULAR BELTS - THICKNESS: 8,7 mm (0.34 in)

www.SystemPlastSmartGuide.com

FLAT TOP VERSION WITH TWIN POSITIONERS

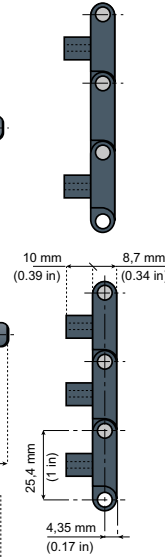
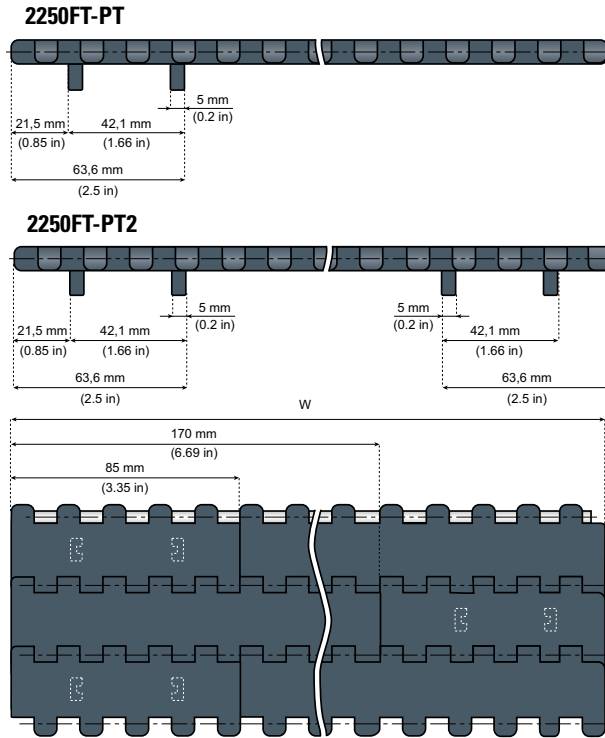


New
NG evo

NG® evo conveyor components made from engineered plastic resin
 Longer wearlife than acetal
 Lower friction than acetal
 Good chemical resistance
 High abrasion resistance
 It meets the requirement for materials as stated by EC1935/2004 and FDA CFR21 norms for direct food contact
 Less dust than with acetal chains
 More.....

Backflex radius: 25 mm (0.98 in)
Max load capacity (LFG):
 25000 N/m (1700 lbs/ft.)
Weight: 7,4 Kg/m² (1.51 lbs/ft.²)
Pin material: PBT (white)
Standard length:

width ≤ 340 mm (13.39 in): 3,048 m (10 ft.)
 width > 340 mm (13.39 in) ≤ 1700 mm (66.93 in): 1,524 m (5 ft.)
 width > 1700 mm (66.93 in): on request



Other versions for 25,4 mm (1") belts:

FG Flush grid	VG Rubber insert
RTC Roller top	FT Vacuum

Notes: Schematic presentation of all flat top 25,4 mm (1") pitch belts. Thickness: 8,7 mm (0.34 in)

3 0 3 9 5 a



Information about this product is only available on our Smart Guide® website.

Standard materials

NGE (GREY BLUE)
New Generation®
LFG (GREY)
Low friction acetal resin

materials details:

7 3 5 6 3 a

WIDTH W		ITEM DESCRIPTION	
mm	in	NGE (GREY BLUE)	LFG (GREY)
85	3.35	NGE2250FT-PT-M0085	LFG2250FT-PT-M0085
170	6.69	NGE2250FT-PT-M0170	LFG2250FT-PT-M0170
255	10.04	NGE2250FT-PT-M0255	LFG2250FT-PT-M0255
340	13.39	NGE2250FT-PT-M0340	LFG2250FT-PT-M0340
425	16.73	NGE2250FT-PT-M0425	LFG2250FT-PT-M0425
510	20.08	NGE2250FT-PT-M0510	LFG2250FT-PT-M0510
595	23.43	NGE2250FT-PT-M0595	LFG2250FT-PT-M0595
680	26.77	NGE2250FT-PT-M0680	LFG2250FT-PT-M0680
765	30.12	NGE2250FT-PT-M0765	LFG2250FT-PT-M0765
850	33.46	NGE2250FT-PT-M0850	LFG2250FT-PT-M0850
935	36.81	NGE2250FT-PT-M0935	LFG2250FT-PT-M0935
1020	40.16	NGE2250FT-PT-M1020	LFG2250FT-PT-M1020
1105	43.50	NGE2250FT-PT-M1105	LFG2250FT-PT-M1105
1190	46.85	NGE2250FT-PT-M1190	LFG2250FT-PT-M1190
1275	50.20	NGE2250FT-PT-M1275	LFG2250FT-PT-M1275
1360	53.54	NGE2250FT-PT-M1360	LFG2250FT-PT-M1360
1445	56.89	NGE2250FT-PT-M1445	LFG2250FT-PT-M1445
1530	60.24	NGE2250FT-PT-M1530	LFG2250FT-PT-M1530
1615	63.58	NGE2250FT-PT-M1615	LFG2250FT-PT-M1615
1700	66.93	NGE2250FT-PT-M1700	LFG2250FT-PT-M1700
1785	70.28	NGE2250FT-PT-M1785	LFG2250FT-PT-M1785
1870	73.62	NGE2250FT-PT-M1870	LFG2250FT-PT-M1870

ITEM DESCRIPTION	
NGE (GREY BLUE)	LFG (GREY)
-	-
NGE2250FT-PT2-M0170	LFG2250FT-PT2-M0170
NGE2250FT-PT2-M0255	LFG2250FT-PT2-M0255
NGE2250FT-PT2-M0340	LFG2250FT-PT2-M0340
NGE2250FT-PT2-M0425	LFG2250FT-PT2-M0425
NGE2250FT-PT2-M0510	LFG2250FT-PT2-M0510
NGE2250FT-PT2-M0595	LFG2250FT-PT2-M0595
NGE2250FT-PT2-M0680	LFG2250FT-PT2-M0680
NGE2250FT-PT2-M0765	LFG2250FT-PT2-M0765
NGE2250FT-PT2-M0850	LFG2250FT-PT2-M0850
NGE2250FT-PT2-M0935	LFG2250FT-PT2-M0935
NGE2250FT-PT2-M1020	LFG2250FT-PT2-M1020
NGE2250FT-PT2-M1105	LFG2250FT-PT2-M1105
NGE2250FT-PT2-M1190	LFG2250FT-PT2-M1190
NGE2250FT-PT2-M1275	LFG2250FT-PT2-M1275
NGE2250FT-PT2-M1360	LFG2250FT-PT2-M1360
NGE2250FT-PT2-M1445	LFG2250FT-PT2-M1445
NGE2250FT-PT2-M1530	LFG2250FT-PT2-M1530
NGE2250FT-PT2-M1615	LFG2250FT-PT2-M1615
NGE2250FT-PT2-M1700	LFG2250FT-PT2-M1700
NGE2250FT-PT2-M1785	LFG2250FT-PT2-M1785
NGE2250FT-PT2-M1870	LFG2250FT-PT2-M1870

Other widths available on request.

Chains & sprockets	Wear strips	Side guide brackets & accessories	Levelers	Engineering manual
Modular belts & sprockets	Chain & belt return systems	Frame & structure supports	Bearing supports	
Curves & tracks	Side guide solutions	Miscellaneous products	Equipment	

3 0 3 4 0 a

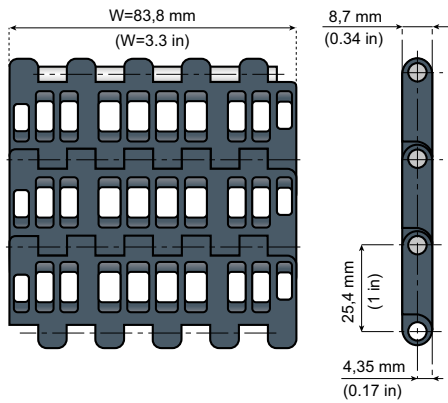
25,4 mm (1") 2250 MODULAR BELTS - THICKNESS: 8,7 mm (0.34 in)

SINGLE TRACK FLUSH GRID

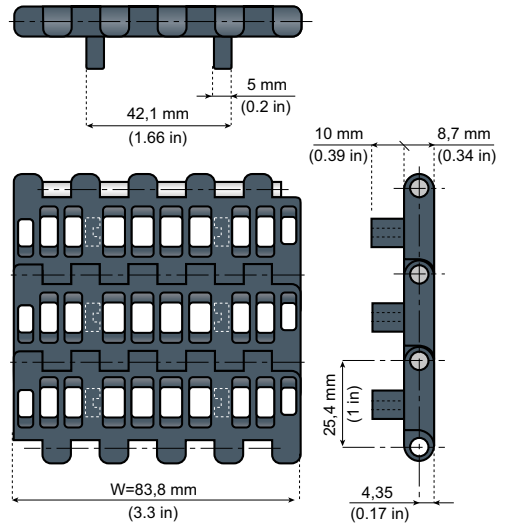
www.SystemPlastSmartGuide.com



2250FG- K330



2250FG-PT-K330



NG® evo conveyor components made from engineered plastic resin
 Longer wearlife than acetal
 Lower friction than acetal
 Good chemical resistance
 High abrasion resistance
 It meets the requirement for materials as stated by EC1935/2004 and FDA CFR21 norms for direct food contact
 Less dust than with acetal chains
 More.....

Pin material: PBT (white)

Open surface: 23%

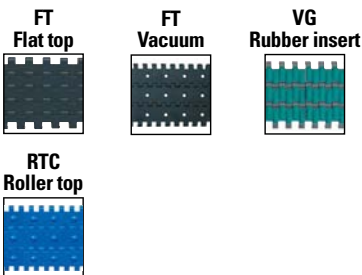
ITEM DESCRIPTION	MATERIAL	WIDTH W		PITCH P		BACKFLEX RADIUS		MAX LOAD CAPACITY		WEIGHT	
		mm	in	mm	in	mm	in	N	lbs	Kg/m	lbs/ft.
NGE2250FG-K330	NGE Grey Blue	83,8	3.3	25,4	1	25	0.98	1890	425	0,5	0.34
NGE2250FG-PT-K330											

Standard length: 120 pitches (3,048 m - 10 ft.)

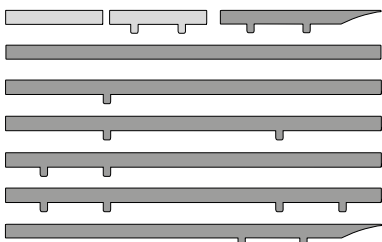


3 0 3 9 5 a

Other versions for 25,4 mm (1") belts:



Notes: Schematic presentation of all flush grid 25,4 mm (1") pitch belts. Thickness: 8,7 mm (0.34 in)



Information about this product is only available on our Smart Guide® website.

Standard material

NGE (GREY BLUE)

New Generation®

materials details:

7 3 5 6 3 a

Chains & sprockets	Wear strips	Side guide brackets & accessories	Levelers	Engineering manual
Modular belts & sprockets	Chain & belt return systems	Frame & structure supports	Bearing supports	
Curves & tracks	Side guide solutions	Miscellaneous products	Equipment	



3 0 3 5 0 a

25,4 mm (1") 2250 MODULAR BELTS - THICKNESS: 8,7 mm (0.34 in)

www.SystemPlastSmartGuide.com

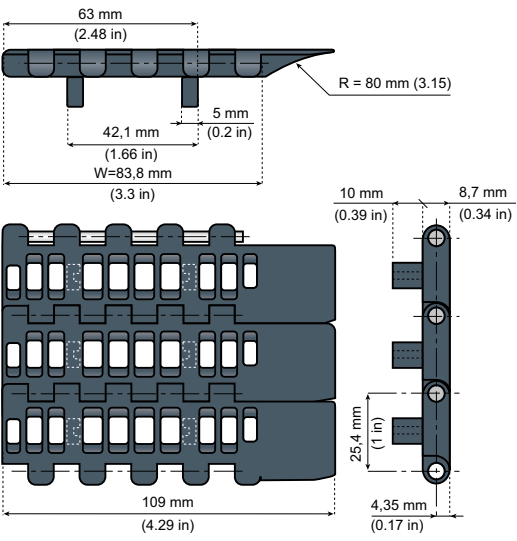
FLUSH GRID VERSION



NG® evo conveyor components made from engineered plastic resin

- Longer wearlife than acetal
- Lower friction than acetal
- Good chemical resistance
- High abrasion resistance
- It meets the requirement for materials as stated by EC1935/2004 and FDA CFR21 norms for direct food contact
- Less dust than with acetal chains
- More.....

SINGLE TRACK



Information about this product is only available on our Smart Guide® website.

Standard material

NGE (GREY BLUE)

New Generation®

materials details:

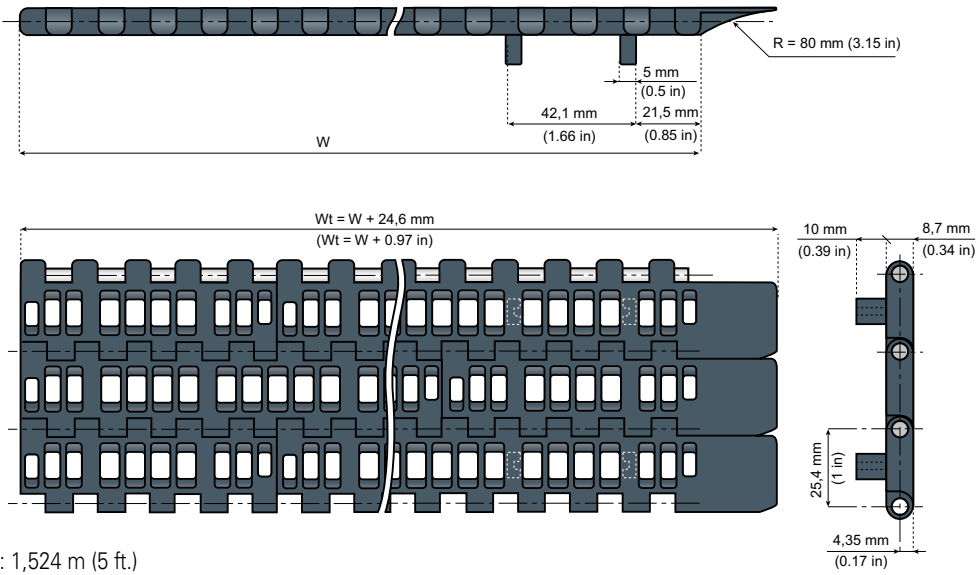
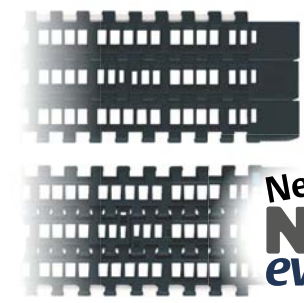
7 3 5 6 3 a

Open surface: 23%

ITEM DESCRIPTION	MATERIAL	WIDTH W		PITCH P		BACKFLEX RADIUS		MAX LOAD CAPACITY		WEIGHT	
		mm	in	mm	in	mm	in	N	lbs	Kg/m	lbs/ft.
NGE2250FG-PT-K330T	NGE Grey Blue	83,8	3.3	25,4	1	30	1.18	1890	425	0,7	0.47

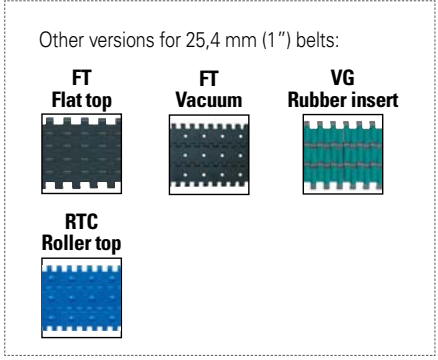
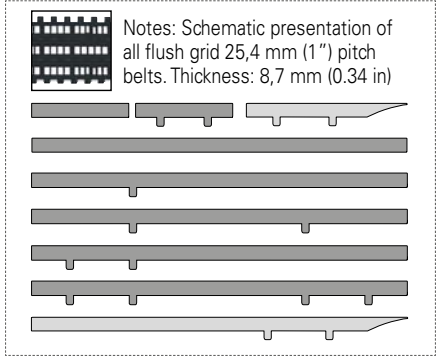
Standard length: 120 pitches (3,048 m - 10 ft)

WIDER VERSIONS

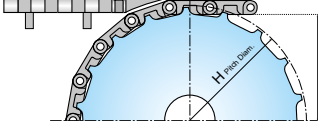


Backflex radius: 30 mm (1.18)
Max load capacity: 22500 N/m (1530 lbs/ft.)
Weight: 7,5 Kg/m² (1.53 lbs/ft.²)
Pin material: PBT (white)
Open surface: 23%
Standard length:
width ≤ 340 mm (13.39 in): 3,048 m (10 ft.)
width > 340 mm (13.39 in) ≤ 1700 mm (66.93 in): 1,524 m (5 ft.)
width > 1700 mm (66.93 in): on request

3 0 3 9 5 a



EXAMPLE INSTALLATION



WIDTH W		ITEM DESCRIPTION
mm	in	
85	3.35	NGE2250FG-PT-M0085T
170	6.69	NGE2250FG-PT-M0170T
255	10.04	NGE2250FG-PT-M0255T
340	13.39	NGE2250FG-PT-M0340T
425	16.73	NGE2250FG-PT-M0425T
510	20.08	NGE2250FG-PT-M0510T

Other widths available on request.

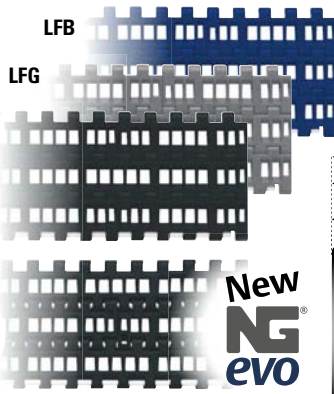
Chains & sprockets	Wear strips	Side guide brackets & accessories	Levelers	Engineering manual
Modular belts & sprockets	Chain & belt return systems	Frame & structure supports	Bearing supports	
Curves & tracks	Side guide solutions	Miscellaneous products	Equipment	

3 0 3 6 0 a

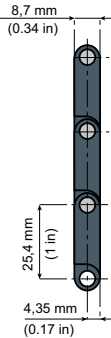
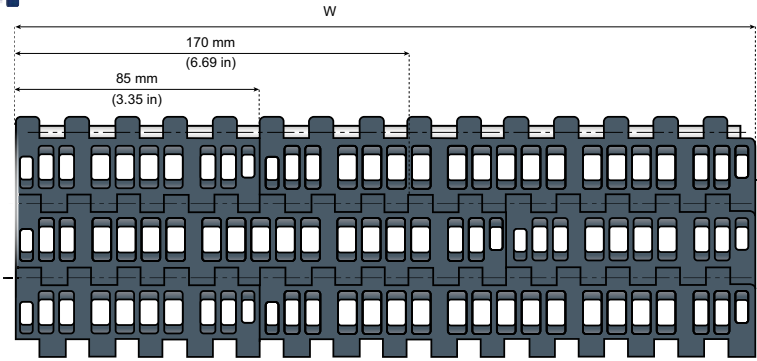
25,4 mm (1") 2250 MODULAR BELTS - THICKNESS: 8,7 mm (0.34 in)

FLUSH GRID VERSION

www.SystemPlastSmartGuide.com



New NG evo



NG® evo conveyor components made from engineered plastic resin
 Longer wearlife than acetal
 Lower friction than acetal
 Good chemical resistance
 High abrasion resistance
 It meets the requirement for materials as stated by EC1935/2004 and FDA CFR21 norms for direct food contact
 Less dust than with acetal chains
 More.....

Backflex radius: 25 mm (0.98 in)
Max load capacity (LFG & LFB): 25000 N/m (1700 lbs/ft.)
Weight: 7,3 Kg/m² (1.48 lbs/ft.²)
Pin material: PBT (white)
Open surface: 23%
Standard length:
 width ≤ 340 mm (13.39 in): 3,048 m (10 ft.)
 width > 340 mm (13.39 in) ≤ 1700 mm (66.93 in): 1,524 m (5 ft.)
 width > 1700 mm (66.93 in): on request

Belts with flights



page code:
3 0 3 6 5 a

Standard materials

NGE (GREY BLUE)	LFG (GREY)	LFB (BLUE)
New Generation®	Low friction acetal resin	



Information about this product is only available on our Smart Guide® website.

materials details:
7 3 5 6 3 a

3 0 3 9 5 a

Other versions for 25,4 mm (1") belts:

FT
Flat top

FT
Vacuum

VG
Rubber insert

RTC
Roller top

Notes: Schematic presentation of all flush grid 25,4 mm (1") pitch belts. Thickness: 8,7 mm (0.34 in)

WIDTH W		ITEM DESCRIPTION		
mm	in	NGE (GREY BLUE)	LFG (GREY)	LFB (BLUE)
85	3.35	NGE2250FG-M0085	LFG2250FG-M0085	LFB2250FG-M0085
170	6.69	NGE2250FG-M0170	LFG2250FG-M0170	LFB2250FG-M0170
255	10.04	NGE2250FG-M0255	LFG2250FG-M0255	LFB2250FG-M0255
340	13.39	NGE2250FG-M0340	LFG2250FG-M0340	LFB2250FG-M0340
425	16.73	NGE2250FG-M0425	LFG2250FG-M0425	LFB2250FG-M0425
510	20.08	NGE2250FG-M0510	LFG2250FG-M0510	LFB2250FG-M0510
595	23.43	NGE2250FG-M0595	LFG2250FG-M0595	LFB2250FG-M0595
680	26.77	NGE2250FG-M0680	LFG2250FG-M0680	LFB2250FG-M0680
765	30.12	NGE2250FG-M0765	LFG2250FG-M0765	LFB2250FG-M0765
850	33.46	NGE2250FG-M0850	LFG2250FG-M0850	LFB2250FG-M0850
935	36.81	NGE2250FG-M0935	LFG2250FG-M0935	LFB2250FG-M0935
1020	40.16	NGE2250FG-M1020	LFG2250FG-M1020	LFB2250FG-M1020
1105	43.50	NGE2250FG-M1105	LFG2250FG-M1105	LFB2250FG-M1105
1190	46.85	NGE2250FG-M1190	LFG2250FG-M1190	LFB2250FG-M1190
1275	50.20	NGE2250FG-M1275	LFG2250FG-M1275	LFB2250FG-M1275
1360	53.54	NGE2250FG-M1360	LFG2250FG-M1360	LFB2250FG-M1360
1445	56.89	NGE2250FG-M1445	LFG2250FG-M1445	LFB2250FG-M1445
1530	60.24	NGE2250FG-M1530	LFG2250FG-M1530	LFB2250FG-M1530
1615	63.58	NGE2250FG-M1615	LFG2250FG-M1615	LFB2250FG-M1615
1700	66.93	NGE2250FG-M1700	LFG2250FG-M1700	LFB2250FG-M1700
1785	70.28	NGE2250FG-M1785	LFG2250FG-M1785	LFB2250FG-M1785
1870	73.62	NGE2250FG-M1870	LFG2250FG-M1870	LFB2250FG-M1870
1955	76.97	NGE2250FG-M1955	LFG2250FG-M1955	LFB2250FG-M1955
2040	80.31	NGE2250FG-M2040	LFG2250FG-M2040	LFB2250FG-M2040
2125	83.66	NGE2250FG-M2125	LFG2250FG-M2125	LFB2250FG-M2125
2210	87.01	NGE2250FG-M2210	LFG2250FG-M2210	LFB2250FG-M2210
2295	90.35	NGE2250FG-M2295	LFG2250FG-M2295	LFB2250FG-M2295

Other widths available on request.

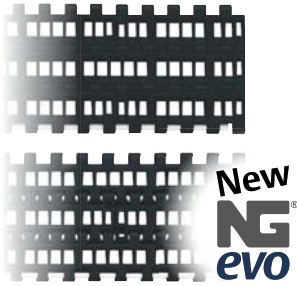
Chains & sprockets	Wear strips	Side guide brackets & accessories	Levelers	Engineering manual
Modular belts & sprockets	Chain & belt return systems	Frame & structure supports	Bearing supports	
Curves & tracks	Side guide solutions	Miscellaneous products	Equipment	

30360b

25,4 mm (1") 2250 MODULAR BELTS - THICKNESS: 8,7 mm (0.34 in)

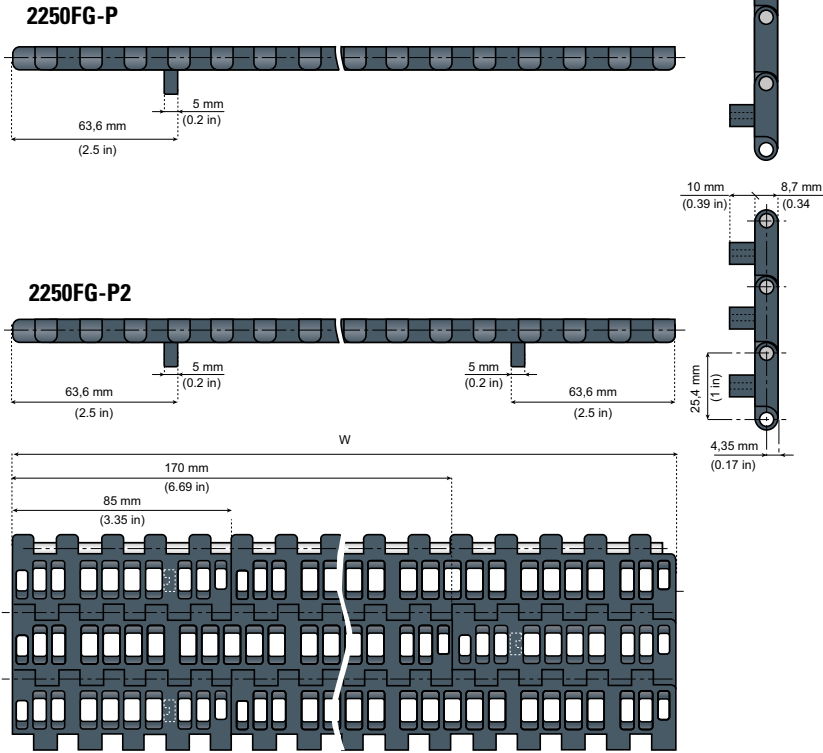
www.SystemPlastSmartGuide.com

FLUSH GRID VERSION WITH POSITIONERS



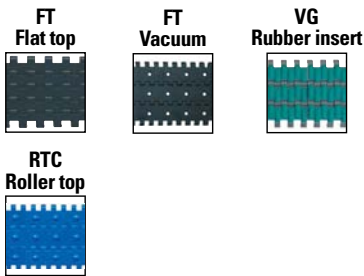
NG® evo conveyor components made from engineered plastic resin
 Longer wearlife than acetal
 Lower friction than acetal
 Good chemical resistance
 High abrasion resistance
 It meets the requirement for materials as stated by EC1935/2004 and FDA CFR21 norms for direct food contact
 Less dust than with acetal chains
 More.....

Backflex radius: 25 mm (0.98 in)
Max load capacity: 22500 N/m (1530 lbs/ft.)
Weight: 7,3 Kg/m² (1.48 lbs/ft.²)
Pin material: PBT (white)
Open surface: 23%
Standard length:
 width ≤ 340 mm (13.39 in): 3,048 m (10 ft.)
 width > 340 mm (13.39 in) ≤ 1700 mm (66.93 in): 1,524 m (5 ft.)
 width > 1700 mm (66.93 in): on request

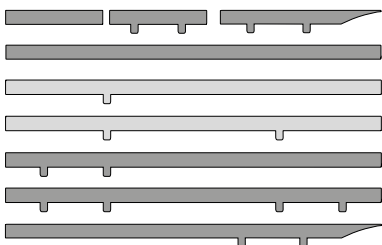


30395a

Other versions for 25,4 mm (1") belts:



Notes: Schematic presentation of all flush grid 25,4 mm (1") pitch belts. Thickness: 8,7 mm (0.34 in)



Information about this product is only available on our Smart Guide® website.

Standard material

NGE (GREY BLUE)

New Generation®

materials details: **73563a**

WIDTH W		ITEM DESCRIPTION	ITEM DESCRIPTION
mm	in		
85	3.35	NGE2250FG-P-M0085	-
170	6.69	NGE2250FG-P-M0170	NGE2250FG-P2-M0170
255	10.04	NGE2250FG-P-M0255	NGE2250FG-P2-M0255
340	13.39	NGE2250FG-P-M0340	NGE2250FG-P2-M0340
425	16.73	NGE2250FG-P-M0425	NGE2250FG-P2-M0425
510	20.08	NGE2250FG-P-M0510	NGE2250FG-P2-M0510
595	23.43	NGE2250FG-P-M0595	NGE2250FG-P2-M0595
680	26.77	NGE2250FG-P-M0680	NGE2250FG-P2-M0680
765	30.12	NGE2250FG-P-M0765	NGE2250FG-P2-M0765
850	33.46	NGE2250FG-P-M0850	NGE2250FG-P2-M0850
935	36.81	NGE2250FG-P-M0935	NGE2250FG-P2-M0935
1020	40.16	NGE2250FG-P-M1020	NGE2250FG-P2-M1020
1105	43.50	NGE2250FG-P-M1105	NGE2250FG-P2-M1105
1190	46.85	NGE2250FG-P-M1190	NGE2250FG-P2-M1190
1275	50.20	NGE2250FG-P-M1275	NGE2250FG-P2-M1275
1360	53.54	NGE2250FG-P-M1360	NGE2250FG-P2-M1360
1445	56.89	NGE2250FG-P-M1445	NGE2250FG-P2-M1445
1530	60.24	NGE2250FG-P-M1530	NGE2250FG-P2-M1530
1615	63.58	NGE2250FG-P-M1615	NGE2250FG-P2-M1615
1700	66.93	NGE2250FG-P-M1700	NGE2250FG-P2-M1700
1785	70.28	NGE2250FG-P-M1785	NGE2250FG-P2-M1785
1870	73.62	NGE2250FG-P-M1870	NGE2250FG-P2-M1870

Other widths available on request.

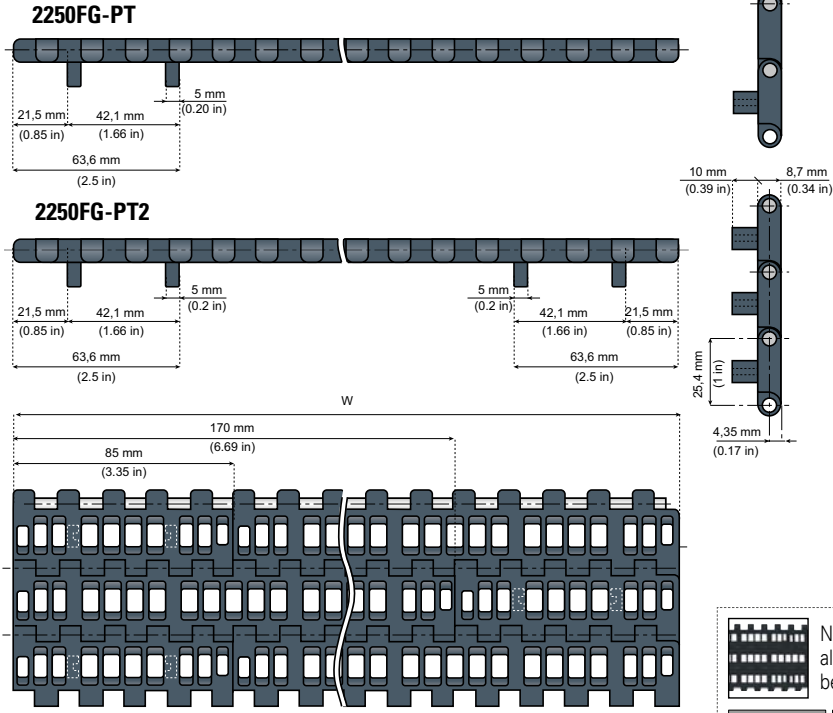
Chains & sprockets	Wear strips	Side guide brackets & accessories	Levelers	Engineering manual
Modular belts & sprockets	Chain & belt return systems	Frame & structure supports	Bearing supports	
Curves & tracks	Side guide solutions	Miscellaneous products	Equipment	

30360c

25,4 mm (1") 2250 MODULAR BELTS - THICKNESS: 8,7 mm (0.34 in)

FLUSH GRID VERSION WITH TWIN POSITIONERS

www.SystemPlastSmartGuide.com



NG® evo conveyor components made from engineered plastic resin
 Longer wearlife than acetal resin
 Lower friction than acetal
 Good chemical resistance
 High abrasion resistance
 It meets the requirement for materials as stated by EC1935/2004 and FDA CFR21 norms for direct food contact
 Less dust than with acetal chains
 More.....

Backflex radius:

25 mm (0.98 in)

Max load capacity (LFG):

25000 N/m (1700 lbs/ft.)

Weight: 7,3 Kg/m² (1.48 lbs/ft².)

Pin material: PBT (white)

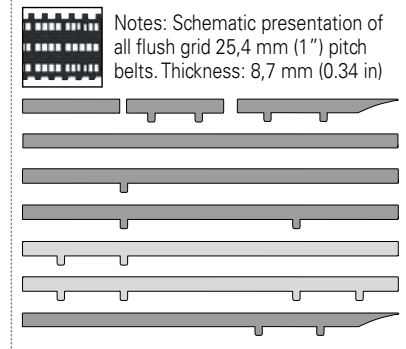
Open surface: 23%

Standard length:

width ≤ 340 mm (13.39 in): 3,048 m (10 ft.)

width > 340 mm (13.39 in) ≤ 1700 mm (66.93 in): 1,524 m (5 ft.)

width > 1700 mm (66.93 in): on request



30395a



Information about this product is only available on our Smart Guide® website.

Standard materials

NGE (GREY BLUE)

New Generation®

LFG (GREY)

Low friction acetal resin

materials details:

73563a

WIDTH W		ITEM DESCRIPTION	
mm	in	NGE (GREY BLUE)	LFG (GREY)
85	3.35	NGE2250FG-PT-M0085	LFG2250FG-PT-M0085
170	6.69	NGE2250FG-PT-M0170	LFG2250FG-PT-M0170
255	10.04	NGE2250FG-PT-M0255	LFG2250FG-PT-M0255
340	13.39	NGE2250FG-PT-M0340	LFG2250FG-PT-M0340
425	16.73	NGE2250FG-PT-M0425	LFG2250FG-PT-M0425
510	20.08	NGE2250FG-PT-M0510	LFG2250FG-PT-M0510
595	23.43	NGE2250FG-PT-M0595	LFG2250FG-PT-M0595
680	26.77	NGE2250FG-PT-M0680	LFG2250FG-PT-M0680
765	30.12	NGE2250FG-PT-M0765	LFG2250FG-PT-M0765
850	33.46	NGE2250FG-PT-M0850	LFG2250FG-PT-M0850
935	36.81	NGE2250FG-PT-M0935	LFG2250FG-PT-M0935
1020	40.16	NGE2250FG-PT-M1020	LFG2250FG-PT-M1020
1105	43.50	NGE2250FG-PT-M1105	LFG2250FG-PT-M1105
1190	46.85	NGE2250FG-PT-M1190	LFG2250FG-PT-M1190
1275	50.20	NGE2250FG-PT-M1275	LFG2250FG-PT-M1275
1360	53.54	NGE2250FG-PT-M1360	LFG2250FG-PT-M1360
1445	56.89	NGE2250FG-PT-M1445	LFG2250FG-PT-M1445
1530	60.24	NGE2250FG-PT-M1530	LFG2250FG-PT-M1530
1615	63.58	NGE2250FG-PT-M1615	LFG2250FG-PT-M1615
1700	66.93	NGE2250FG-PT-M1700	LFG2250FG-PT-M1700
1785	70.28	NGE2250FG-PT-M1785	LFG2250FG-PT-M1785
1870	73.62	NGE2250FG-PT-M1870	LFG2250FG-PT-M1870

ITEM DESCRIPTION	
NGE (GREY BLUE)	LFG (GREY)
-	-
NGE2250FG-PT2-M0170	LFG2250FG-PT2-M0170
NGE2250FG-PT2-M0255	LFG2250FG-PT2-M0255
NGE2250FG-PT2-M0340	LFG2250FG-PT2-M0340
NGE2250FG-PT2-M0425	LFG2250FG-PT2-M0425
NGE2250FG-PT2-M0510	LFG2250FG-PT2-M0510
NGE2250FG-PT2-M0595	LFG2250FG-PT2-M0595
NGE2250FG-PT2-M0680	LFG2250FG-PT2-M0680
NGE2250FG-PT2-M0765	LFG2250FG-PT2-M0765
NGE2250FG-PT2-M0850	LFG2250FG-PT2-M0850
NGE2250FG-PT2-M0935	LFG2250FG-PT2-M0935
NGE2250FG-PT2-M1020	LFG2250FG-PT2-M1020
NGE2250FG-PT2-M1105	LFG2250FG-PT2-M1105
NGE2250FG-PT2-M1190	LFG2250FG-PT2-M1190
NGE2250FG-PT2-M1275	LFG2250FG-PT2-M1275
NGE2250FG-PT2-M1360	LFG2250FG-PT2-M1360
NGE2250FG-PT2-M1445	LFG2250FG-PT2-M1445
NGE2250FG-PT2-M1530	LFG2250FG-PT2-M1530
NGE2250FG-PT2-M1615	LFG2250FG-PT2-M1615
NGE2250FG-PT2-M1700	LFG2250FG-PT2-M1700
NGE2250FG-PT2-M1785	LFG2250FG-PT2-M1785
NGE2250FG-PT2-M1870	LFG2250FG-PT2-M1870

Other widths available on request.

Chains & sprockets	Wear strips	Side guide brackets & accessories	Levelers	Engineering manual
Modular belts & sprockets	Chain & belt return systems	Frame & structure supports	Bearing supports	
Curves & tracks	Side guide solutions	Miscellaneous products	Equipment	

30365a

25,4 mm (1") 2250 MODULAR BELTS WITH FLIGHTS

www.SystemPlastSmartGuide.com



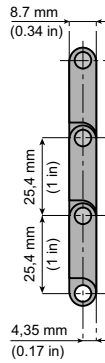
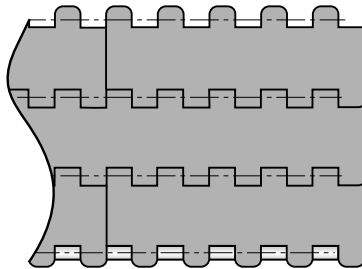
2250 FT



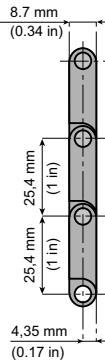
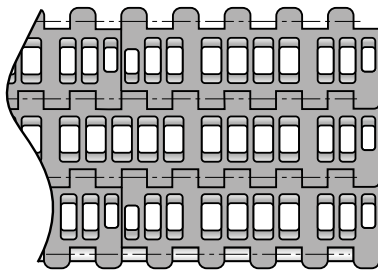
2250 FG



FLAT TOP



FLUSH GRID



continue ▶

Example modules:

3 in (76,2 mm) height



2 in (50,8 mm) height



1 in (25,4 mm) height



17 mm (0.67 in) side indent



34 mm (1.34 in) side indent



51 mm (2 in) side indent



Our 2250 series modular plastic belts can now be equipped with flights to convey products up an incline. The flights can be integrated into flat top or flush grid belts and can be made in different FDA approved materials and in different colors.

The height of the flights is 2 in, but also 1 in and 3 in height can be molded. The molded quality guarantees a smooth and hygienic product. It is easy to clean.

In order to facilitate a proper support of the belts in the return part of the conveyor, a belt can be made with side indents on the flights. The side indent can be 17, 34 or 51 mm with 51 mm being the standard indent. For wider belts it is even possible to have 1, 2 or 3 notches in between the flights.

The distance between 2 rows of flights can be made as required. You can just indicate the pitch between the rows that carry the flights.

continue ▶

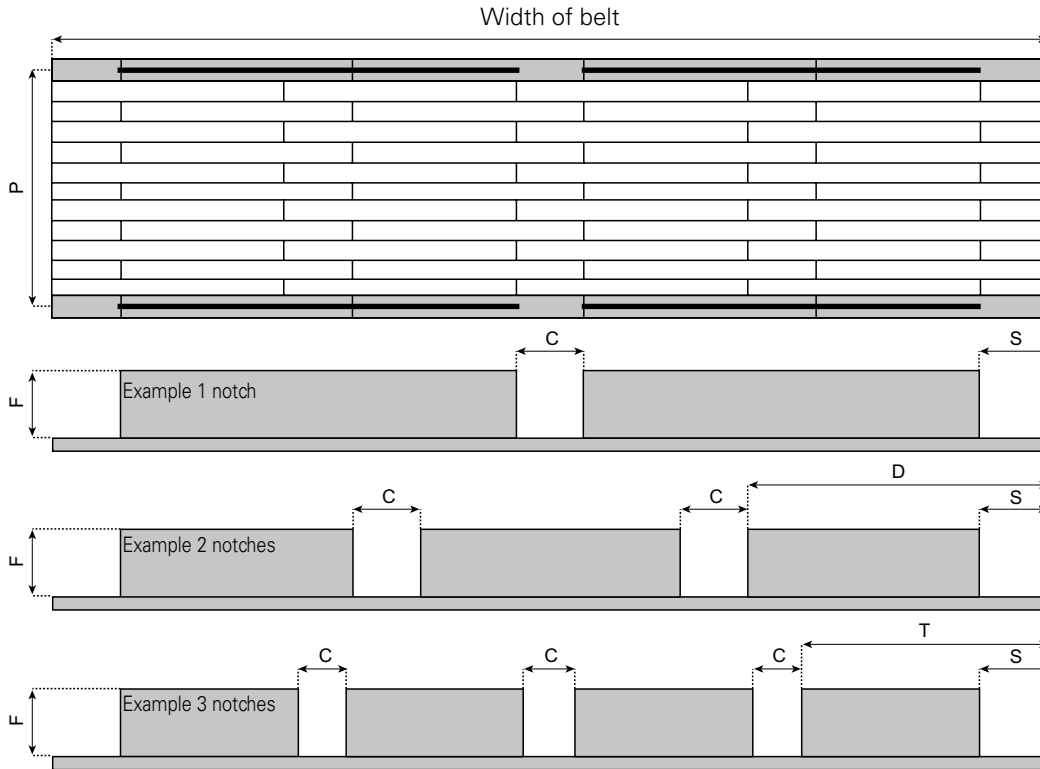
Chains & sprockets	Wear strips	Side guide brackets & accessories	Levelers	Engineering manual
Modular belts & sprockets	Chain & belt return systems	Frame & structure supports	Bearing supports	
Curves & tracks	Side guide solutions	Miscellaneous products	Equipment	

3 0 3 6 5 b

25,4 mm (1") 2250 MODULAR BELTS WITH FLIGHTS

www.SystemPlastSmartGuide.com

QUESTIONNAIRE



◀ back

Below you see an example of a questionnaire. If you select the belt version and tick the boxes of the dimensions that you require, we know exactly what belt to produce!

QUESTIONNAIRE BELT WITH FLIGHTS				
SERIES	<input type="checkbox"/>	2250		
STYLE	<input type="checkbox"/>	Flat top		
	<input type="checkbox"/>	Flush grid		
WIDTH IN mm	<input type="checkbox"/>	Standard: multiples of 85 mm	<input type="text"/>	
	<input type="checkbox"/>	Special: multiples of 17 mm	<input type="text"/>	
MATERIAL	<input type="checkbox"/>	LFG (POM grey)	<input type="checkbox"/>	Different:
	<input type="checkbox"/>	LFW (POM white)		Color:
	<input type="checkbox"/>	NGE (grey blue)		
	<input type="checkbox"/>	PPW (PP white)		
HEIGHT OF FLIGHT [F]	<input type="checkbox"/>	Preferred: 2 in (51 mm)	<input type="checkbox"/>	1 in (25 mm)
			<input type="checkbox"/>	3 in (76 mm; maximum)
			<input type="checkbox"/>	Special different: <input type="text"/> mm
PITCH OF FLIGHTS [P]		1 row of flights every:	<input type="text"/>	pitch(es)
SIDE INDENT [S]	<input type="checkbox"/>	Standard: no side indent	<input type="checkbox"/>	17 mm
	<input type="checkbox"/>	Standard: 51 mm	<input type="checkbox"/>	34 mm
			<input type="checkbox"/>	Special different: <input type="text"/> mm
NOTCH	<input type="checkbox"/>	Standard: no notch	<input type="checkbox"/>	Special: 2 notches symmetrical
	<input type="checkbox"/>	Standard: 1 notch in centre	<input type="checkbox"/>	Special: 3 notches symmetrical
WIDTH OF NOTCH(ES) [C] IN mm	<input type="checkbox"/>	Standard: multiples of 17 mm	<input type="text"/>	<input type="checkbox"/>
				Special different: <input type="text"/>
DISTANCE FROM SIDE OF OUTER NOTCH TO SIDE OF BELT IN mm	<input type="checkbox"/>	2 notches, distance D	<input type="text"/>	
	<input type="checkbox"/>	3 notches, distance T	<input type="text"/>	

◀ back

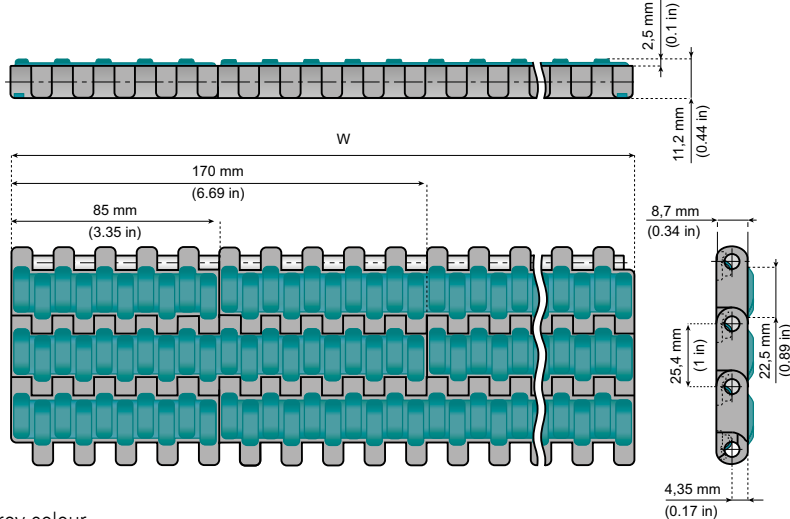
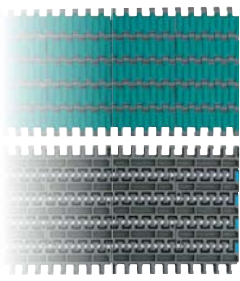
Chains & sprockets	Wear strips	Side guide brackets & accessories	Levelers	Engineering manual
Modular belts & sprockets	Chain & belt return systems	Frame & structure supports	Bearing supports	
Curves & tracks	Side guide solutions	Miscellaneous products	Equipment	

30370a

25,4 mm (1") 2250 MODULAR BELTS - THICKNESS: 8,7 mm (0.34 in)

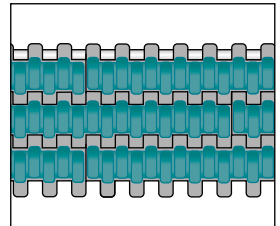
www.SystemPlastSmartGuide.com

RUBBER INSERT EVERY PITCH



Belt material: low friction acetal resin, grey colour
Rubber material: thermoplastic rubber, waterblue colour, 70 shore A.
Backflex radius: 30 mm (1.18 in)
Max load capacity: 25000 N/m (1700 lbs/ft.)
Pin material: PBT (white)
Standard length:
width ≤ 340 mm (13.39 in): 3,048 m (10 ft.)
width > 340 mm (13.39 in) ≤ 1700 mm (66.93 in): 1,524 m (5 ft.)
width > 1700 mm (66.93 in): on request

VG 2250
Insert every pitch



Weight:
8,7 Kg/m² (1.77 lbs/ft.²)

30395a

Standard material

LFG (GREY)
Low friction acetal resin
materials details: **73563a**

TPR (WATER BLUE)
Thermoplastic rubber
materials details: **73570a**

Other versions for 25,4 mm (1") belts:

FT Flat top
FT Vacuum
FG Flush grid
RTC Roller top

Information about this product is only available on our Smart Guide® website.

For insert every 2nd or 3th pitch, go to: **30370b**

Notes: Schematic presentation of all VG rubber insert 25,4 mm (1") pitch belts. Thickness: 8,7 mm (0.34 in)

Also available with side indent. Go to: **30380a**

WIDTH W		ITEM DESCRIPTION
mm	in	
85	3.35	LFG2250FT-M0085VG
170	6.69	LFG2250FT-M0170VG
255	10.04	LFG2250FT-M0255VG
340	13.39	LFG2250FT-M0340VG
425	16.73	LFG2250FT-M0425VG
510	20.08	LFG2250FT-M0510VG
595	23.43	LFG2250FT-M0595VG
680	26.77	LFG2250FT-M0680VG
765	30.12	LFG2250FT-M0765VG
850	33.46	LFG2250FT-M0850VG
935	36.81	LFG2250FT-M0935VG
1020	40.16	LFG2250FT-M1020VG
1105	43.50	LFG2250FT-M1105VG
1190	46.85	LFG2250FT-M1190VG
1275	50.20	LFG2250FT-M1275VG
1360	53.54	LFG2250FT-M1360VG
1445	56.89	LFG2250FT-M1445VG
1530	60.24	LFG2250FT-M1530VG
1615	63.58	LFG2250FT-M1615VG
1700	66.93	LFG2250FT-M1700VG
1785	70.28	LFG2250FT-M1785VG
1870	73.62	LFG2250FT-M1870VG
1955	76.97	LFG2250FT-M1955VG
2040	80.31	LFG2250FT-M2040VG

Other widths available on request.

Chains & sprockets	Wear strips	Side guide brackets & accessories	Levelers	Engineering manual
Modular belts & sprockets	Chain & belt return systems	Frame & structure supports	Bearing supports	
Curves & tracks	Side guide solutions	Miscellaneous products	Equipment	

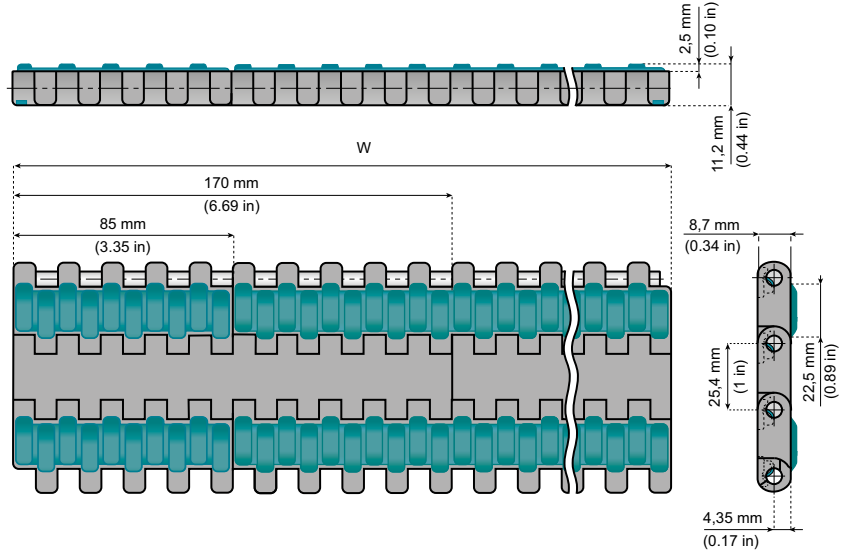
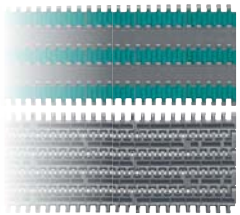


30370b

25,4 mm (1") 2250 MODULAR BELTS - THICKNESS: 8,7 mm (0.34 in)

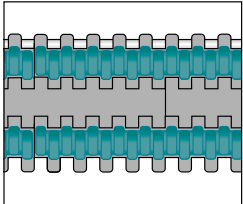
RUBBER INSERT EVERY 2nd & 3th PITCH

www.SystemPlastSmartGuide.com



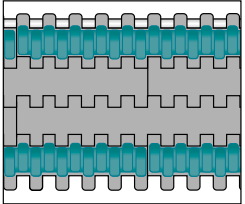
Belt material: low friction acetal resin, grey colour
Rubber material: thermoplastic rubber, waterblue colour, 70 shore A.
Backflex radius: 30 mm (1.18 in)
Max load capacity: 25000 N/m (1700 lbs/ft.)
Pin material: PBT (white)
Standard length:
width ≤ 340 mm (13.39 in): 3,048 m (10 ft.)
width > 340 mm (13.39 in) ≤ 1700 mm (66.93 in): 1,524 m (5 ft.) width > 1700 mm (66.93 in): on request

VG2 2250
Insert every 2nd pitch



Weight:
8,1 Kg/m² (1.66 lbs/ft.²)

VG3 2250
Insert every 3th pitch



Weight:
7,8 Kg/m² (1.59 lbs/ft.²)

30395a

Other versions for 25,4 mm (1") belts:

FT
Flat top

FT
Vacuum

FG
Flush grid

RTC
Roller top

Notes: Schematic presentation of all VG rubber insert 25,4 mm (1") pitch belts. Thickness: 8,7 mm (0.34 in)

Also available with side indent. Go to: [30380a](#)

For insert every pitch, go to: [30370a](#)

Information about this product is only available on our Smart Guide® website.

Standard material	
LFG (GREY)	Low friction acetal resin
materials details: 73563a	
TPR (WATER BLUE)	Thermoplastic rubber
materials details: 73570a	

WIDTH W		ITEM DESCRIPTION	ITEM DESCRIPTION
mm	in		
85	3.35	LFG2250FT-M0085VG-2	LFG2250FT-M0085VG-3
170	6.69	LFG2250FT-M0170VG-2	LFG2250FT-M0170VG-3
255	10.04	LFG2250FT-M0255VG-2	LFG2250FT-M0255VG-3
340	13.39	LFG2250FT-M0340VG-2	LFG2250FT-M0340VG-3
425	16.73	LFG2250FT-M0425VG-2	LFG2250FT-M0425VG-3
510	20.08	LFG2250FT-M0510VG-2	LFG2250FT-M0510VG-3
595	23.43	LFG2250FT-M0595VG-2	LFG2250FT-M0595VG-3
680	26.77	LFG2250FT-M0680VG-2	LFG2250FT-M0680VG-3
765	30.12	LFG2250FT-M0765VG-2	LFG2250FT-M0765VG-3
850	33.46	LFG2250FT-M0850VG-2	LFG2250FT-M0850VG-3
935	36.81	LFG2250FT-M0935VG-2	LFG2250FT-M0935VG-3
1020	40.16	LFG2250FT-M1020VG-2	LFG2250FT-M1020VG-3
1105	43.50	LFG2250FT-M1105VG-2	LFG2250FT-M1105VG-3
1190	46.85	LFG2250FT-M1190VG-2	LFG2250FT-M1190VG-3
1275	50.20	LFG2250FT-M1275VG-2	LFG2250FT-M1275VG-3
1360	53.54	LFG2250FT-M1360VG-2	LFG2250FT-M1360VG-3
1445	56.89	LFG2250FT-M1445VG-2	LFG2250FT-M1445VG-3
1530	60.24	LFG2250FT-M1530VG-2	LFG2250FT-M1530VG-3
1615	63.58	LFG2250FT-M1615VG-2	LFG2250FT-M1615VG-3
1700	66.93	LFG2250FT-M1700VG-2	LFG2250FT-M1700VG-3
1785	70.28	LFG2250FT-M1785VG-2	LFG2250FT-M1785VG-3
1870	73.62	LFG2250FT-M1870VG-2	LFG2250FT-M1870VG-3
1955	76.97	LFG2250FT-M1955VG-2	LFG2250FT-M1955VG-3
2040	80.31	LFG2250FT-M2040VG-2	LFG2250FT-M2040VG-3

Other widths available on request.

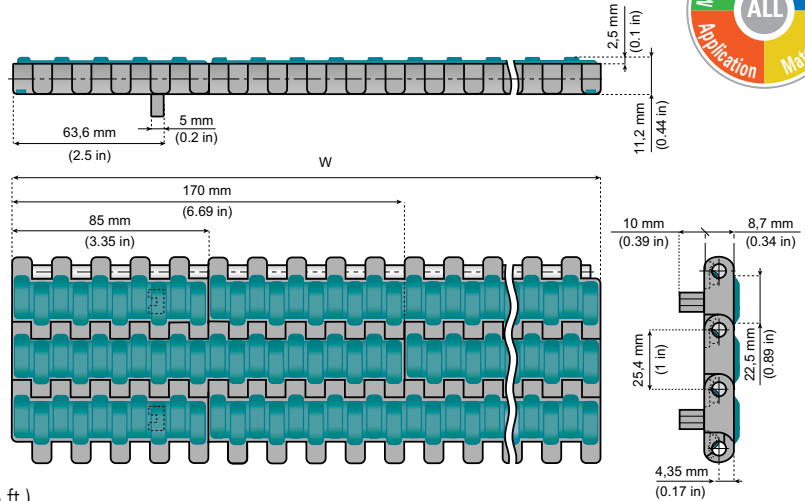
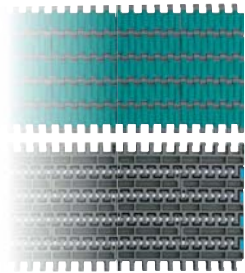
Chains & sprockets	Wear strips	Side guide brackets & accessories	Levelers	Engineering manual
Modular belts & sprockets	Chain & belt return systems	Frame & structure supports	Bearing supports	
Curves & tracks	Side guide solutions	Miscellaneous products	Equipment	

30370c

25,4 mm (1") 2250 MODULAR BELTS - THICKNESS: 8,7 mm (0.34 in)

VERSIONS WITH POSITIONERS / RUBBER INSERTS

www.SystemPlastSmartGuide.com



Belt material: low friction acetal resin, grey colour

Rubber material: thermoplastic rubber, waterblue colour, 70 shore A.

Backflex radius: 30 mm (1.18 in)

Max load capacity: 25000 N/m (1700 lbs/ft.)

Pin material: PBT (white)

Standard length:

width ≤ 340 mm (13.39 in): 3,048 m (10 ft.)

width > 340 mm (13.39 in) ≤ 1700 mm (66.93 in): 1,524 m (5 ft.)

width > 1700 mm (66.93 in): on request

Standard material

LFG (GREY)

Low friction acetal resin

materials details:

73563a

TPR (WATER BLUE)

Thermoplastic rubber

materials details:

73570a

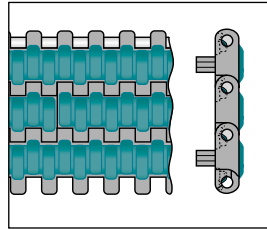


Information about this product is only available on our Smart Guide® website.



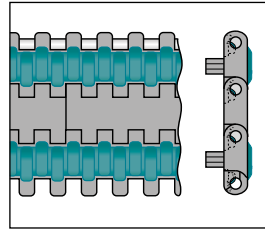
30395a

VG 2250 P1 Insert every pitch



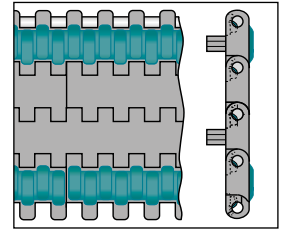
Weight:
8,7 Kg/m² (1.77 lbs/ft.²)

VG2 2250 P1 Insert every 2nd pitch

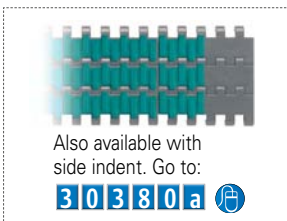


Weight:
8,1 Kg/m² (1.66 lbs/ft.²)

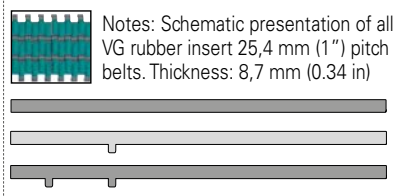
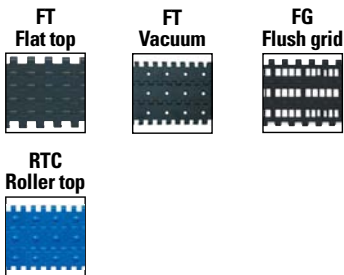
VG3 2250 P1 Insert every 3th pitch



Weight:
7,8 Kg/m² (1.59 lbs/ft.²)



Other versions for 25,4 mm (1") belts:



WIDTH W		ITEM DESCRIPTION	ITEM DESCRIPTION	ITEM DESCRIPTION
mm	in			
85	3.35	LFG2250FT-P-M0085VG	LFG2250FT-P-M0085VG-2	LFG2250FT-P-M0085VG-3
170	6.69	LFG2250FT-P-M0170VG	LFG2250FT-P-M0170VG-2	LFG2250FT-P-M0170VG-3
255	10.04	LFG2250FT-P-M0255VG	LFG2250FT-P-M0255VG-2	LFG2250FT-P-M0255VG-3
340	13.39	LFG2250FT-P-M0340VG	LFG2250FT-P-M0340VG-2	LFG2250FT-P-M0340VG-3
425	16.73	LFG2250FT-P-M0425VG	LFG2250FT-P-M0425VG-2	LFG2250FT-P-M0425VG-3
510	20.08	LFG2250FT-P-M0510VG	LFG2250FT-P-M0510VG-2	LFG2250FT-P-M0510VG-3
595	23.43	LFG2250FT-P-M0595VG	LFG2250FT-P-M0595VG-2	LFG2250FT-P-M0595VG-3
680	26.77	LFG2250FT-P-M0680VG	LFG2250FT-P-M0680VG-2	LFG2250FT-P-M0680VG-3
765	30.12	LFG2250FT-P-M0765VG	LFG2250FT-P-M0765VG-2	LFG2250FT-P-M0765VG-3
850	33.46	LFG2250FT-P-M0850VG	LFG2250FT-P-M0850VG-2	LFG2250FT-P-M0850VG-3
935	36.81	LFG2250FT-P-M0935VG	LFG2250FT-P-M0935VG-2	LFG2250FT-P-M0935VG-3
1020	40.16	LFG2250FT-P-M1020VG	LFG2250FT-P-M1020VG-2	LFG2250FT-P-M1020VG-3
1105	43.50	LFG2250FT-P-M1105VG	LFG2250FT-P-M1105VG-2	LFG2250FT-P-M1105VG-3
1190	46.85	LFG2250FT-P-M1190VG	LFG2250FT-P-M1190VG-2	LFG2250FT-P-M1190VG-3
1275	50.20	LFG2250FT-P-M1275VG	LFG2250FT-P-M1275VG-2	LFG2250FT-P-M1275VG-3
1360	53.54	LFG2250FT-P-M1360VG	LFG2250FT-P-M1360VG-2	LFG2250FT-P-M1360VG-3
1445	56.89	LFG2250FT-P-M1445VG	LFG2250FT-P-M1445VG-2	LFG2250FT-P-M1445VG-3
1530	60.24	LFG2250FT-P-M1530VG	LFG2250FT-P-M1530VG-2	LFG2250FT-P-M1530VG-3
1615	63.58	LFG2250FT-P-M1615VG	LFG2250FT-P-M1615VG-2	LFG2250FT-P-M1615VG-3
1700	66.93	LFG2250FT-P-M1700VG	LFG2250FT-P-M1700VG-2	LFG2250FT-P-M1700VG-3
1785	70.28	LFG2250FT-P-M1785VG	LFG2250FT-P-M1785VG-2	LFG2250FT-P-M1785VG-3
1870	73.62	LFG2250FT-P-M1870VG	LFG2250FT-P-M1870VG-2	LFG2250FT-P-M1870VG-3
1955	76.97	LFG2250FT-P-M1955VG	LFG2250FT-P-M1955VG-2	LFG2250FT-P-M1955VG-3
2040	80.31	LFG2250FT-P-M2040VG	LFG2250FT-P-M2040VG-2	LFG2250FT-P-M2040VG-3

Other widths available on request.

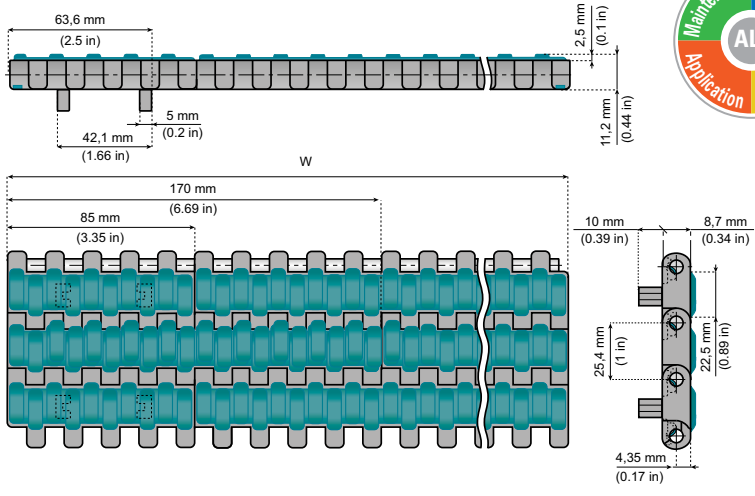
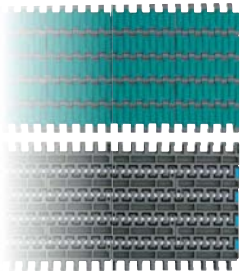
Chains & sprockets	Wear strips	Side guide brackets & accessories	Levelers	Engineering manual
Modular belts & sprockets	Chain & belt return systems	Frame & structure supports	Bearing supports	
Curves & tracks	Side guide solutions	Miscellaneous products	Equipment	

30370d

25,4 mm (1") 2250 MODULAR BELTS - THICKNESS: 8,7 mm (0.34 in)

VERSIONS WITH TWIN POSITIONERS / RUBBER INSERT

www.SystemPlastSmartGuide.com



Belt material: low friction acetal resin, grey colour
Rubber material: thermoplastic rubber, waterblue colour, 70 shore A.
Backflex radius: 30 mm (1.18 in)
Max load capacity: 25000 N/m (1700 lbs/ft.)
Pin material: PBT (white)
Standard length:
width ≤ 340 mm (13.39 in): 3,048 m (10 ft.)
width > 340 mm (13.39 in) ≤ 1700 mm (66.93 in): 1,524 m (5 ft.)
width > 1700 mm (66.93 in): on request

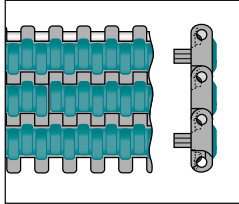
Information about this product is only available on our Smart Guide® website.

Standard material

LFG (GREY)
Low friction acetal resin
materials details: **73563a**

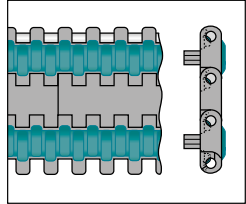
TPR (WATER BLUE)
Thermoplastic rubber
materials details: **73570a**

VG 2250 P2
Insert every pitch



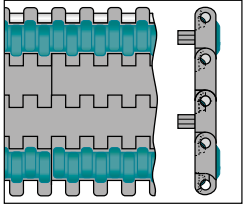
Weight:
8,7 Kg/m² (1.77 lbs/ft.²)

VG2 2250 P2
Insert every 2nd pitch



Weight:
8,1 Kg/m² (1.66 lbs/ft.²)

VG3 2250 P2
Insert every 3th pitch



Weight:
7,8 Kg/m² (1.59 lbs/ft.²)

Also available with side indent. Go to:
30380a

Other versions for 25,4 mm (1") belts:

FT Flat top
FT Vacuum
FG Flush grid
RTC Roller top

Notes: Schematic presentation of all VG rubber insert 25,4 mm (1") pitch belts. Thickness: 8,7 mm (0.34 in)

WIDTH W		ITEM DESCRIPTION	ITEM DESCRIPTION	ITEM DESCRIPTION
mm	in			
85	3.35	LFG2250FT-PT-M0085VG	LFG2250FT-PT-M0085VG-2	LFG2250FT-PT-M0085VG-3
170	6.69	LFG2250FT-PT-M0170VG	LFG2250FT-PT-M0170VG-2	LFG2250FT-PT-M0170VG-3
255	10.04	LFG2250FT-PT-M0255VG	LFG2250FT-PT-M0255VG-2	LFG2250FT-PT-M0255VG-3
340	13.39	LFG2250FT-PT-M0340VG	LFG2250FT-PT-M0340VG-2	LFG2250FT-PT-M0340VG-3
425	16.73	LFG2250FT-PT-M0425VG	LFG2250FT-PT-M0425VG-2	LFG2250FT-PT-M0425VG-3
510	20.08	LFG2250FT-PT-M0510VG	LFG2250FT-PT-M0510VG-2	LFG2250FT-PT-M0510VG-3
595	23.43	LFG2250FT-PT-M0595VG	LFG2250FT-PT-M0595VG-2	LFG2250FT-PT-M0595VG-3
680	26.77	LFG2250FT-PT-M0680VG	LFG2250FT-PT-M0680VG-2	LFG2250FT-PT-M0680VG-3
765	30.12	LFG2250FT-PT-M0765VG	LFG2250FT-PT-M0765VG-2	LFG2250FT-PT-M0765VG-3
850	33.46	LFG2250FT-PT-M0850VG	LFG2250FT-PT-M0850VG-2	LFG2250FT-PT-M0850VG-3
935	36.81	LFG2250FT-PT-M0935VG	LFG2250FT-PT-M0935VG-2	LFG2250FT-PT-M0935VG-3
1020	40.16	LFG2250FT-PT-M1020VG	LFG2250FT-PT-M1020VG-2	LFG2250FT-PT-M1020VG-3
1105	43.50	LFG2250FT-PT-M1105VG	LFG2250FT-PT-M1105VG-2	LFG2250FT-PT-M1105VG-3
1190	46.85	LFG2250FT-PT-M1190VG	LFG2250FT-PT-M1190VG-2	LFG2250FT-PT-M1190VG-3
1275	50.20	LFG2250FT-PT-M1275VG	LFG2250FT-PT-M1275VG-2	LFG2250FT-PT-M1275VG-3
1360	53.54	LFG2250FT-PT-M1360VG	LFG2250FT-PT-M1360VG-2	LFG2250FT-PT-M1360VG-3
1445	56.89	LFG2250FT-PT-M1445VG	LFG2250FT-PT-M1445VG-2	LFG2250FT-PT-M1445VG-3
1530	60.24	LFG2250FT-PT-M1530VG	LFG2250FT-PT-M1530VG-2	LFG2250FT-PT-M1530VG-3
1615	63.58	LFG2250FT-PT-M1615VG	LFG2250FT-PT-M1615VG-2	LFG2250FT-PT-M1615VG-3
1700	66.93	LFG2250FT-PT-M1700VG	LFG2250FT-PT-M1700VG-2	LFG2250FT-PT-M1700VG-3
1785	70.28	LFG2250FT-PT-M1785VG	LFG2250FT-PT-M1785VG-2	LFG2250FT-PT-M1785VG-3
1870	73.62	LFG2250FT-PT-M1870VG	LFG2250FT-PT-M1870VG-2	LFG2250FT-PT-M1870VG-3
1955	76.97	LFG2250FT-PT-M1955VG	LFG2250FT-PT-M1955VG-2	LFG2250FT-PT-M1955VG-3
2040	80.31	LFG2250FT-PT-M2040VG	LFG2250FT-PT-M2040VG-2	LFG2250FT-PT-M2040VG-3

Other widths available on request.

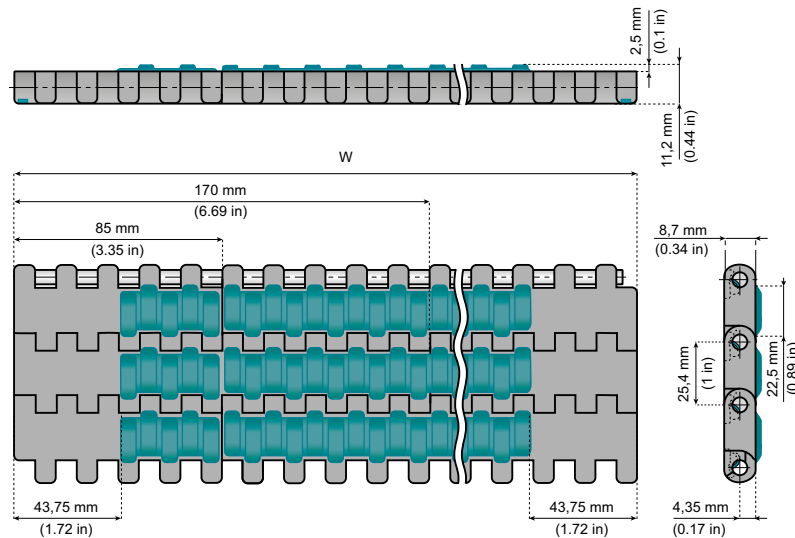
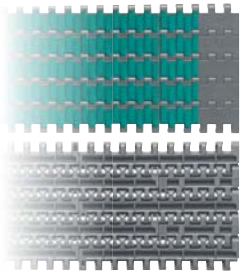
Chains & sprockets	Wear strips	Side guide brackets & accessories	Levelers	Engineering manual
Modular belts & sprockets	Chain & belt return systems	Frame & structure supports	Bearing supports	
Curves & tracks	Side guide solutions	Miscellaneous products	Equipment	

30380a

25,4 mm (1") 2250 MODULAR BELTS - THICKNESS: 8,7 mm (0.34 in)

RUBBER INSERT EVERY PITCH WITH SIDE INDENT

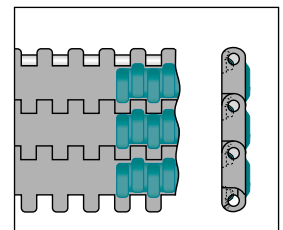
www.SystemPlastSmartGuide.com



Version with side indent

- Belt material:** low friction acetal resin, grey colour
- Rubber material:** thermoplastic rubber, waterblue colour, 70 shore A.
- Backflex radius:** 30 mm (1.18 in)
- Max load capacity:** 25000 N/m (1700 lbs/ft.)
- Pin material:** PBT (white)
- Standard length:**
 - width ≤ 340 mm (13.39 in): 3,048 m (10 ft.)
 - width > 340 mm (13.39 in) ≤ 1700 mm (66.93 in): 1,524 m (5 ft.)
 - width > 1700 mm (66.93 in): on request

VGS 2250 Insert every pitch



Weight:
8,7 Kg/m² (1.77 lbs/ft².)

30395a

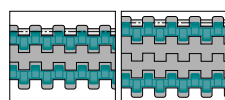
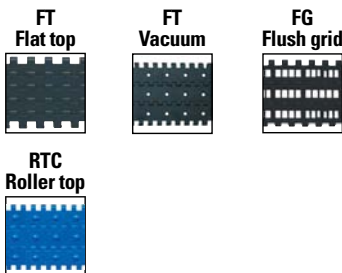
Standard material

LFG (GREY)	Low friction acetal resin	materials details: 73563a
TPR (WATER BLUE)	Thermoplastic rubber	materials details: 73570a



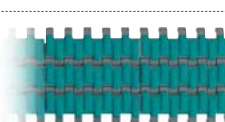
Information about this product is only available on our Smart Guide® website.

Other versions for 25,4 mm (1") belts:



For insert every 2nd or 3th pitch, go to:

30380b



For full width rubber surface. Go to:

30370a

Notes: Schematic presentation of all VG rubber insert 25,4 mm (1") pitch belts. Thickness: 8,7 mm (0.34 in)

WIDTH W		ITEM DESCRIPTION
mm	in	
255	10.04	LFG2250FT-M0255VGS
340	13.39	LFG2250FT-M0340VGS
425	16.73	LFG2250FT-M0425VGS
510	20.08	LFG2250FT-M0510VGS
595	23.43	LFG2250FT-M0595VGS
680	26.77	LFG2250FT-M0680VGS
765	30.12	LFG2250FT-M0765VGS
850	33.46	LFG2250FT-M0850VGS
935	36.81	LFG2250FT-M0935VGS
1020	40.16	LFG2250FT-M1020VGS
1105	43.50	LFG2250FT-M1105VGS
1190	46.85	LFG2250FT-M1190VGS
1275	50.20	LFG2250FT-M1275VGS
1360	53.54	LFG2250FT-M1360VGS
1445	56.89	LFG2250FT-M1445VGS
1530	60.24	LFG2250FT-M1530VGS
1615	63.58	LFG2250FT-M1615VGS
1700	66.93	LFG2250FT-M1700VGS
1785	70.28	LFG2250FT-M1785VGS
1870	73.62	LFG2250FT-M1870VGS
1955	76.97	LFG2250FT-M1955VGS
2040	80.31	LFG2250FT-M2040VGS

Other widths available on request.

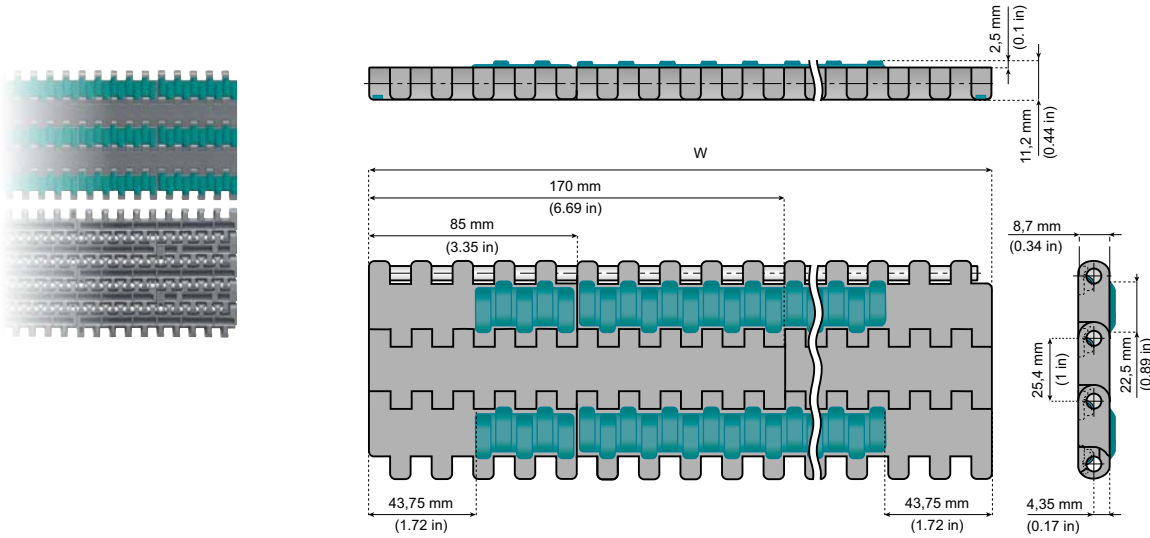
Chains & sprockets	Wear strips	Side guide brackets & accessories	Levelers	Engineering manual
Modular belts & sprockets	Chain & belt return systems	Frame & structure supports	Bearing supports	
Curves & tracks	Side guide solutions	Miscellaneous products	Equipment	

30380b

25,4 mm (1") 2250 MODULAR BELTS - THICKNESS: 8,7 mm (0.34 in)

RUBBER INSERT EVERY 2nd & 3th PITCH WITH SIDE INDENT

www.SystemPlastSmartGuide.com



Version with side indent

Belt material: low friction acetal resin, grey colour

Rubber material: thermoplastic rubber, waterblue colour, 70 shore A.

Backflex radius: 30 mm (1.18 in)

Max load capacity: 25000 N/m (1700 lbs/ft.)

Pin material: PBT (white)

Standard length:

width ≤ 340 mm (13.39 in): 3,048 m (10 ft.)

width > 340 mm (13.39 in) ≤ 1700 mm (66.93 in): 1,524 m (5 ft.)

width > 1700 mm (66.93 in): on request



Standard material

LFG (GREY)
Low friction acetal resin

materials details:

73563a

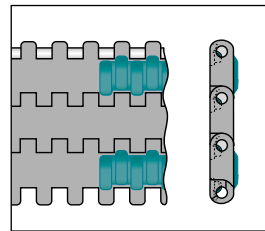
TPR (WATER BLUE)
Thermoplastic rubber

materials details:

73570a

Information about this product is only available on our Smart Guide® website.

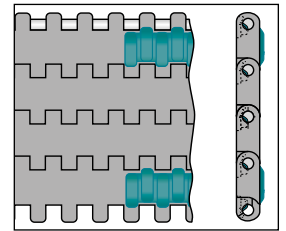
VGS2 2250
Insert every 2nd pitch



Weight:

8,1 Kg/m² (1.66 lbs/ft.²)

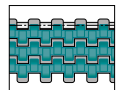
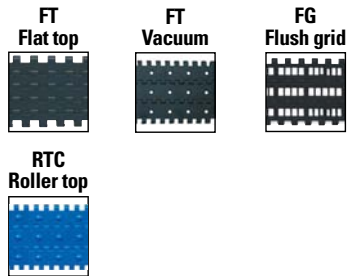
VGS3 2250
Insert every 3th pitch



Weight:

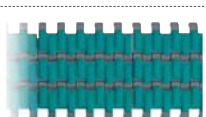
7,8 Kg/m² (1.59 lbs/ft.²)

Other versions for 25,4 mm (1") belts:



For every insert, go to:

30380a



For full width rubber surface. Go to:

30370a

Notes: Schematic presentation of all VG rubber insert 25,4 mm (1") pitch belts. Thickness: 8,7 mm (0.34 in)

WIDTH W		ITEM DESCRIPTION
mm	in	
170	6.69	LFG2250FT-M0170VGS-2
255	10.04	LFG2250FT-M0255VGS-2
340	13.39	LFG2250FT-M0340VGS-2
425	16.73	LFG2250FT-M0425VGS-2
510	20.08	LFG2250FT-M0510VGS-2
595	23.43	LFG2250FT-M0595VGS-2
680	26.77	LFG2250FT-M0680VGS-2
765	30.12	LFG2250FT-M0765VGS-2
850	33.46	LFG2250FT-M0850VGS-2
935	36.81	LFG2250FT-M0935VGS-2
1020	40.16	LFG2250FT-M1020VGS-2
1105	43.50	LFG2250FT-M1105VGS-2
1190	46.85	LFG2250FT-M1190VGS-2
1275	50.20	LFG2250FT-M1275VGS-2
1360	53.54	LFG2250FT-M1360VGS-2
1445	56.89	LFG2250FT-M1445VGS-2
1530	60.24	LFG2250FT-M1530VGS-2
1615	63.58	LFG2250FT-M1615VGS-2
1700	66.93	LFG2250FT-M1700VGS-2
1785	70.28	LFG2250FT-M1785VGS-2
1870	73.62	LFG2250FT-M1870VGS-2
1955	76.97	LFG2250FT-M1955VGS-2
2040	80.31	LFG2250FT-M2040VGS-2

ITEM DESCRIPTION
LFG2250FT-M0170VGS-3
LFG2250FT-M0255VGS-3
LFG2250FT-M0340VGS-3
LFG2250FT-M0425VGS-3
LFG2250FT-M0510VGS-3
LFG2250FT-M0595VGS-3
LFG2250FT-M0680VGS-3
LFG2250FT-M0765VGS-3
LFG2250FT-M0850VGS-3
LFG2250FT-M0935VGS-3
LFG2250FT-M1020VGS-3
LFG2250FT-M1105VGS-3
LFG2250FT-M1190VGS-3
LFG2250FT-M1275VGS-3
LFG2250FT-M1360VGS-3
LFG2250FT-M1445VGS-3
LFG2250FT-M1530VGS-3
LFG2250FT-M1615VGS-3
LFG2250FT-M1700VGS-3
LFG2250FT-M1785VGS-3
LFG2250FT-M1870VGS-3
LFG2250FT-M1955VGS-3
LFG2250FT-M2040VGS-3

Other widths available on request.

Chains & sprockets	Wear strips	Side guide brackets & accessories	Levelers	Engineering manual
Modular belts & sprockets	Chain & belt return systems	Frame & structure supports	Bearing supports	
Curves & tracks	Side guide solutions	Miscellaneous products	Equipment	

30395a

DRIVE AND RETURN SPROCKETS

FOR BELTS 2250 - 2253FT - 2253RTC

www.SystemPlastSmartGuide.com



Notes:

• Sprockets with single keyway can be used for belt widths up to 680 mm (27-in) and temperature differences of maximum 30°C (86°F).

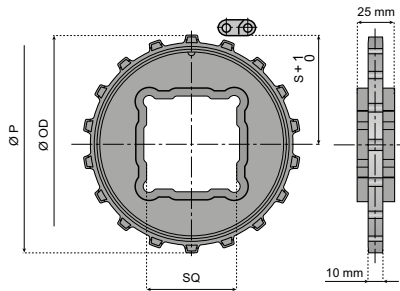
• For wider belts or bigger temperature differences, sprockets with square bores or round bore with double keyway have to be used.

Drive sprockets are manufactured for a tight fit on the shaft.

To order single keyway sprockets capable of floating freely on the shaft, just add the letter "P" (=plus) to the existing Item description.

For example, item description **2250-14R30M-DPS**

Z	Ø OD mm	Ø P mm	S mm
12	98	98,14	44,0
14	113	114,18	52,0
15	122	122,2	56,7
16	129	130,2	60,0
18	145	146,27	68,5
20	162	162,37	76,5



OPTIMUM CHOICE FOR 2253RTC AND 2253FT SERIES BELT CAN BE USED FOR 2250 SERIE AS WELL

SPROCKETS FOR BELTS SERIES 2253RTC - 2253FT - 2250

MOLDED DRIVE SPROCKETS SQUARE BORE ONE PIECE - FLOATING			
Z	Ø 40X40	Ø 60X60	
	ITEM DESCRIPTION		
12	2253-12S40M-D	-	
15	2253-15S40M-D	2253-15S60M-D	
18	2253-18S40M-D	2253-18S60M-D	

Material: reinforced polyamide (grey).



See also the sprockets and idler wheels:

30395b
30395c



See belts 1" Pitch (25,4 mm):

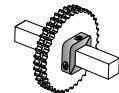
30300a



New design
30995a

Features:

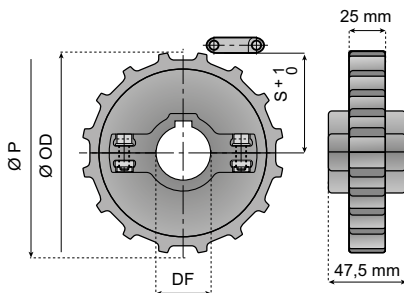
- New design with snap-assembly system included.
- Very high strength.
- Split versions: quick and easy replacement.
- Foolproof design.
- Excellent wear and chemical resistance.
- Recyclable.



Set collars, go to:

54630a

TO BE USED WITH 2250 SERIES BELTS ONLY!



SPROCKETS FOR BELTS SERIES 2250

MOLDED DRIVE SPROCKETS - SPLIT FIXED			
Z	Ø 30	Ø 35	Ø 40
	ITEM DESCRIPTION		
14	2250-14R30M-DS	2250-14R35M-DS	2250-14R40M-DS
16	2250-16R30M-DS	2250-16R35M-DS	2250-16R40M-DS
18	2250-18R30M-DS	2250-18R35M-DS	2250-18R40M-DS
20	2250-20R30M-DS	2250-20R35M-DS	2250-20R40M-DS
MOLDED RETURN SPROCKETS - SPLIT			
14	2250-14R30M-RS	2250-14R35M-RS	2250-14R40M-RS
16	2250-16R30M-RS	2250-16R35M-RS	2250-16R40M-RS
18	2250-18R30M-RS	2250-18R35M-RS	2250-18R40M-RS
20	2250-20R30M-RS	2250-20R35M-RS	2250-20R40M-RS
MOLDED DRIVE SPROCKETS SQUARE BORE - SPLIT FLOATING			
Z	Ø 30X30	-	Ø 40X40
14	2250-14S30M-DS	-	-
16	2250-16S30M-DS	-	2250-16S40M-DS
18	2250-18S30M-DS	-	2250-18S40M-DS
20	2250-20S30M-DS	-	2250-20S40M-DS

Material: reinforced polyamide (black), screws in stainless steel, nuts in nickel plated brass.

Note: These sprockets cannot be used for belt type 2253RTC and 2253FT.

Chains & sprockets	Wear strips	Side guide brackets & accessories	Levelers	Engineering manual
Modular belts & sprockets	Chain & belt return systems	Frame & structure supports	Bearing supports	
Curves & tracks	Side guide solutions	Miscellaneous products	Equipment	

30395b

DRIVE AND RETURN SPROCKETS

www.SystemPlastSmartGuide.com

FOR BELT 2250

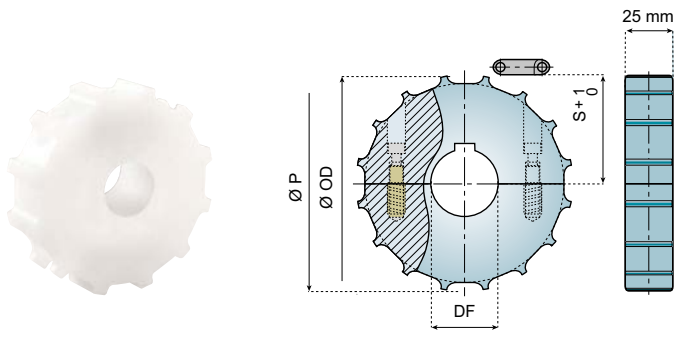


- Note:**
- Sprockets with single keyway can be used for belt widths up to 680 mm (27-in) and temperature differences of maximum 30°C (86°F).
 - For wider belts or bigger temperature differences, sprockets with square bores or round bore with double keyway have to be used. Drive sprockets are manufactured for a tight fit on the shaft. To order single keyway sprockets capable of floating freely on the shaft, just add the letter "P" (=plus) to the existing Item description. For example, Item description: **2250-14R30M-DPS**

New design 30990a

- Features:**
- Very high strength.
 - Split versions: quick and easy replacement.
 - Foolproof design.
 - Completely closed structure, easy to clean and to disinfect.
 - Excellent wear and chemical resistance.
 - Recyclable.

Z	Ø OD mm	Ø P mm	S mm
12	96,9	97,75	44,0
14	113,1	113,7	52,1
16	129,4	129,68	60,2
18	145,4	145,7	68,4
20	161,6	161,73	76,5



NOT SUITABLE FOR 2253 SERIES BELTS !

SPROCKETS FOR BELTS SERIES 2250

MACHINED DRIVE SPROCKETS - SPLIT FIXED						
Z	Ø 18* (R18M) Ø 23* (R23M)	Ø 25	Ø 30	Ø 35	Ø 40	
ITEM DESCRIPTION						
12	-	2250-12R25M-DMS	2250-12R30M-DMS	2250-12R35M-DMS	2250-12R40M-DMS	
14	-	2250-14R25M-DMS	2250-14R30M-DMS	2250-14R35M-DMS	2250-14R40M-DMS	
16	-	2250-16R25M-DMS	2250-16R30M-DMS	2250-16R35M-DMS	2250-16R40M-DMS	
18	-	2250-18R25M-DMS	2250-18R30M-DMS	2250-18R35M-DMS	2250-18R40M-DMS	
20	-	2250-20R25M-DMS	2250-20R30M-DMS	2250-20R35M-DMS	2250-20R40M-DMS	
MACHINED RETURN SPROCKETS - SPLIT						
12	2250-12R18M-RMS	2250-12R25M-RMS	2250-12R30M-RMS	2250-12R35M-RMS	2250-12R40M-RMS	
14	2250-14R23M-RMS	2250-14R25M-RMS	2250-14R30M-RMS	2250-14R35M-RMS	2250-14R40M-RMS	
16	2250-16R23M-RMS	2250-16R25M-RMS	2250-16R30M-RMS	2250-16R35M-RMS	2250-16R40M-RMS	
18	2250-18R23M-RMS	2250-18R25M-RMS	2250-18R30M-RMS	2250-18R35M-RMS	2250-18R40M-RMS	
20	2250-20R23M-RMS	2250-20R25M-RMS	2250-20R30M-RMS	2250-20R35M-RMS	2250-20R40M-RMS	

Material: polyamide (natural white), screws in stainless steel, bushings in brass. *Plain bore

Set collars, go to: **54630a**

See belts 1" Pitch (25,4 mm): **30300a**

See also the sprockets and idler wheels: **30395a** **30395c**

Information about this product is only available on our Smart Guide® website.

Chains & sprockets	Wear strips	Side guide brackets & accessories	Levelers	Engineering manual
Modular belts & sprockets	Chain & belt return systems	Frame & structure supports	Bearing supports	
Curves & tracks	Side guide solutions	Miscellaneous products	Equipment	



30395c

www.SystemPlastSmartGuide.com

DRIVE SPROCKETS

FOR BELT 2250

Notes:

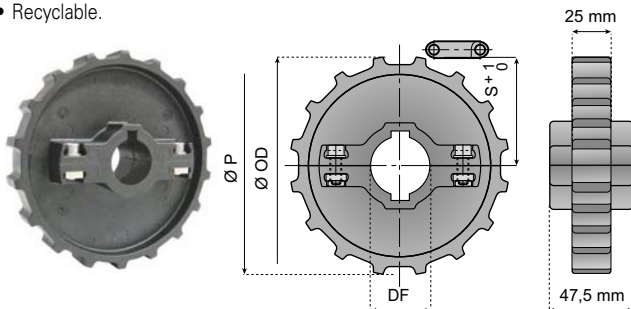
- Sprockets with single keyway can be used for belt widths up to 680 mm and temperature differences of maximum 30°C.
- For wider belts or bigger temperature differences, sprockets with square bores or round bore with double keyway have to be used.

New design

30995a

Features:

- New design with snap-assembly system included.
- Very high strength.
- Split versions: quick and easy replacement.
- Foolproof design.
- Excellent wear and chemical resistance.
- Recyclable.



Z	Ø OD mm	Ø P mm	S mm
12	98	98,14	44,0
14	113	114,18	52,0
16	129	130,2	60,0
18	145	146,27	68,5
20	162	162,37	76,5

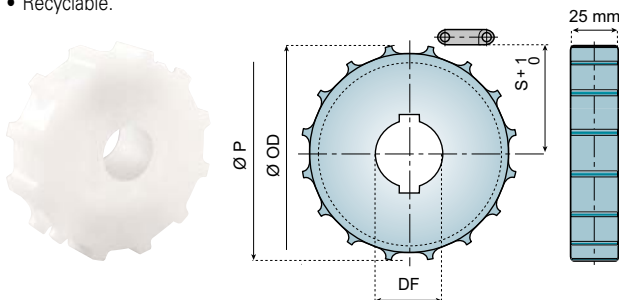
NOT SUITABLE FOR 2253 SERIES BELTS !

New design

30990a

Features:

- Very high strength.
- Split versions: quick and easy replacement.
- Foolproof design.
- Completely closed structure, easy to clean and to disinfect.
- Excellent wear and chemical resistance.
- Recyclable.



Z	Ø 35	Ø 40
	ITEM DESCRIPTION	
14	2250-14R35M-DPS-K2	2250-14R40M-DPS-K2
16	2250-16R35M-DPS-K2	2250-16R40M-DPS-K2
18	2250-18R35M-DPS-K2	2250-18R40M-DPS-K2
20	2250-20R35M-DPS-K2	2250-20R40M-DPS-K2

Material: reinforced polyamide (black), screws in stainless steel, nuts in nickel plated brass.

Z	Ø OD mm	Ø P mm	S mm
12	96,9	97,75	44,0
14	113,1	113,7	52,1
16	129,4	129,68	60,2
18	145,4	145,7	68,4
20	161,6	161,73	76,5

NOT SUITABLE FOR 2253 SERIES BELTS !

Z	Ø 30	Ø 40
	ITEM DESCRIPTION	
12	2250-12R30M-DPM-K2	2250-12R40M-DPM-K2
14	2250-14R30M-DPM-K2	2250-14R40M-DPM-K2
16	2250-16R30M-DPM-K2	2250-16R40M-DPM-K2
18	2250-18R30M-DPM-K2	2250-18R40M-DPM-K2
20	2250-20R30M-DPM-K2	2250-20R40M-DPM-K2

Material: polyamide (natural white).

Z	∅ 30X30	∅ 40X40	∅ 60X60
	ITEM DESCRIPTION		
12	2250-12S30M-DMS	2250-12S40M-DMS	-
14	2250-14S30M-DMS	2250-14S40M-DMS	-
16	2250-16S30M-DMS	2250-16S40M-DMS	-
18	2250-18S30M-DMS	2250-18S40M-DMS	2250-18S60M-DMS
20	2250-20S30M-DMS	2250-20S40M-DMS	2250-20S60M-DMS

Material: polyamide (natural white), screws in stainless steel, bushings in brass.

Information about this product is only available on our Smart Guide® website.



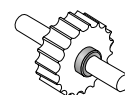
See also the sprockets and idler wheels:

30395a
30395b



See belts 1" Pitch (25,4 mm):

30300a



Set collars, go to:

54630a

Chains & sprockets	Wear strips	Side guide brackets & accessories	Levelers	Engineering manual
Modular belts & sprockets	Chain & belt return systems	Frame & structure supports	Bearing supports	
Curves & tracks	Side guide solutions	Miscellaneous products	Equipment	

3 0 3 9 8 a

25,4 mm (1") MODULAR BELTS 2253RTC - THICKNESS: 8,7 mm (0.34 in)

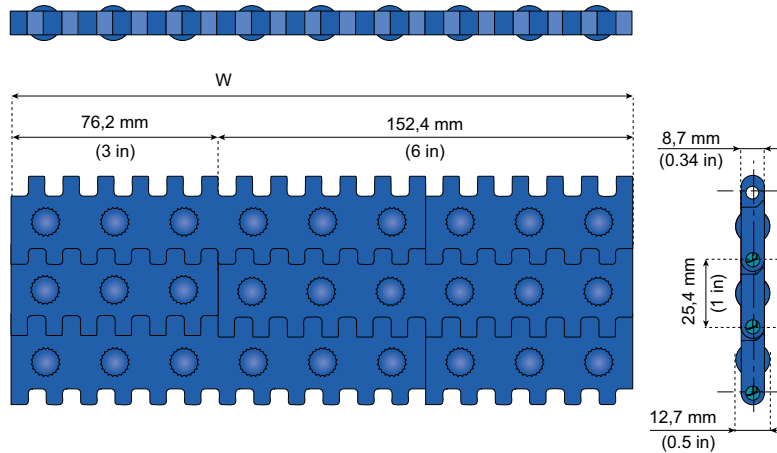
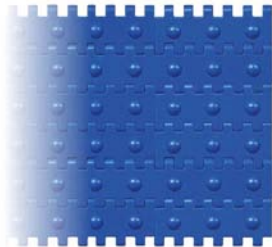
www.SystemPlastSmartGuide.com

ROLLER TOP VERSION



New

continue ►



Backflex radius: 40 mm (1.58 in)
Max load capacity: 10500 N/m (714 lbs/ft.)
Max load per ball: 10 N (2.24 lbs)
Weight: 10,5 kg/m² (2.14 lbs/ft².)
Ball material: Polyamide
Standard length:
width ≤ 30 in: 1,524 m (5 ft.)
width > 30 in ≤ 60 in: 1,016 m (3,35 ft.)
width > 60 in: on request
Standard pin material: PBT (white)



Information about this product is only available on our Smart Guide® website.

Standard material

LFB (BLUE)

Low friction acetal resin

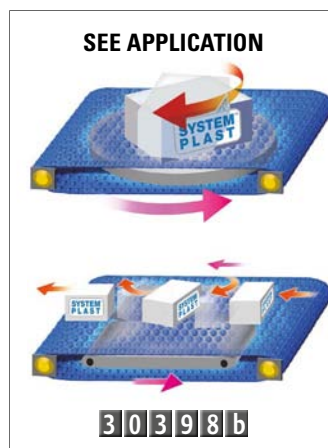
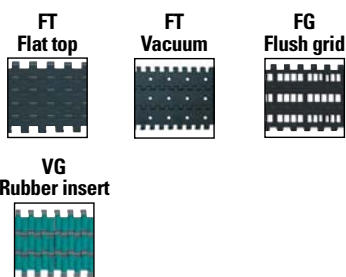
materials details:

7 3 5 6 3 a



3 0 3 9 5 a

Other versions for 25,4 mm (1") belts:



WIDTH W		ITEM DESCRIPTION
mm	in	
76	3.00	LFB2253RTC-K300
152	6.00	LFB2253RTC-K600
229	9.00	LFB2253RTC-K900
305	12.00	LFB2253RTC-K1200
381	15.00	LFB2253RTC-K1500
457	18.00	LFB2253RTC-K1800
533	21.00	LFB2253RTC-K2100
610	24.00	LFB2253RTC-K2400
686	27.00	LFB2253RTC-K2700
762	30.00	LFB2253RTC-K3000
838	33.00	LFB2253RTC-K3300
914	36.00	LFB2253RTC-K3600
991	39.00	LFB2253RTC-K3900
1067	42.00	LFB2253RTC-K4200
1143	45.00	LFB2253RTC-K4500
1219	48.00	LFB2253RTC-K4800
1295	51.00	LFB2253RTC-K5100
1372	54.00	LFB2253RTC-K5400
1448	57.00	LFB2253RTC-K5700
1524	60.00	LFB2253RTC-K6000
1600	63.00	LFB2253RTC-K6300
1676	66.00	LFB2253RTC-K6600
1753	69.00	LFB2253RTC-K6900
1829	72.00	LFB2253RTC-K7200
1905	75.00	LFB2253RTC-K7500
1981	78.00	LFB2253RTC-K7800
2057	81.00	LFB2253RTC-K8100
2134	84.00	LFB2253RTC-K8400
2210	87.00	LFB2253RTC-K8700
2286	90.00	LFB2253RTC-K9000
2362	93.00	LFB2253RTC-K9300
2438	96.00	LFB2253RTC-K9600
2515	99.00	LFB2253RTC-K9900
2590	102.00	LFB2253RTC-K10200
2666	105.00	LFB2253RTC-K10500
2743	108.00	LFB2253RTC-K10800
2819	111.00	LFB2253RTC-K11100

Other widths available on request.

continue ►

Chains & sprockets	Wear strips	Side guide brackets & accessories	Levelers	Engineering manual
Modular belts & sprockets	Chain & belt return systems	Frame & structure supports	Bearing supports	
Curves & tracks	Side guide solutions	Miscellaneous products	Equipment	

3 0 3 9 8 b

MODULAR BELTS 2253RTC APPLICATIONS

www.SystemPlastSmartGuide.com

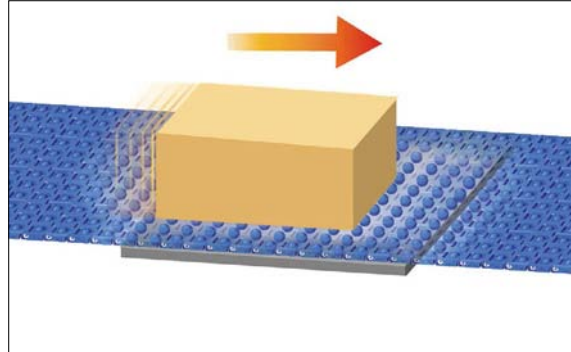


◀ back

Double speed

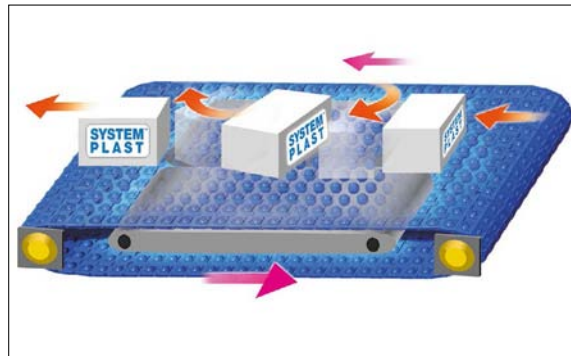
When the belt is moving and the rollers are in contact with a fixed support area, the rollers will start rotating. This will result in movement of the product with a speed that is twice the speed of the belt. This function is very useful when products must be separated from each other.

This function enables the belt to run at lower speed, and that improves belt life and reduces energy consumption.



Rotation with product moving

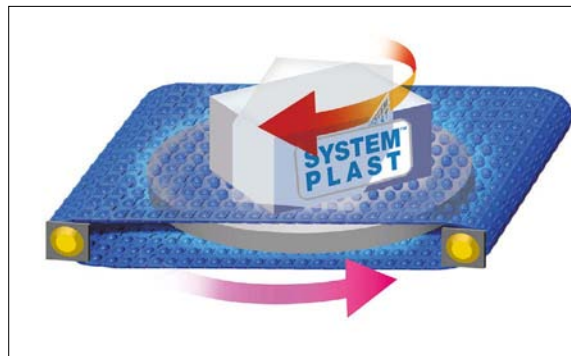
When two parallel running belts are positioned underneath the roller top belts, and running in different directions, containers in the middle of the belt will rotate. This condition is ideal for applications where product orientation is important, for example, the infeed to a palletizer. In this case, containers can be moving forward while rotating.



Rotation with product stopped

When using a rotating disc underneath the roller top belt, you can have optimum control of the rotation of the product.

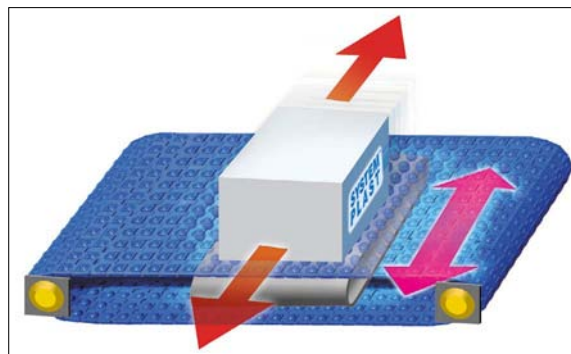
The roller top belt must be stopped during rotation.



Lateral movement

With a secondary activated belt positioned 90 degrees to the travel direction of the roller top belt, the system can transfer your package without external guides. This scenario is ideal for reject conveyors or any application requiring rapid 90 degree transfer of the conveyed item.

Product positioning can also be achieved by this configuration.



◀ back

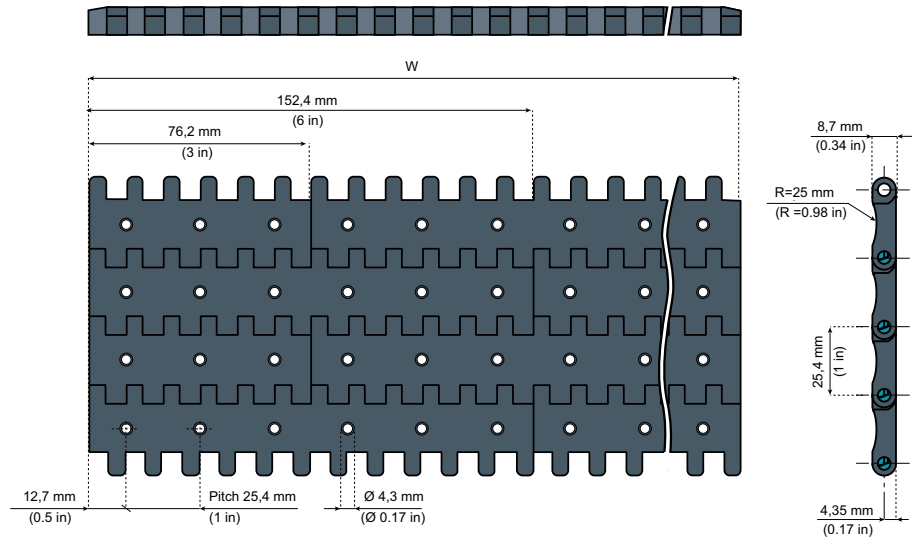
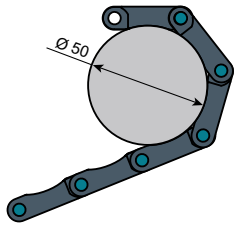
Chains & sprockets	Wear strips	Side guide brackets & accessories	Levelers	Engineering manual
Modular belts & sprockets	Chain & belt return systems	Frame & structure supports	Bearing supports	
Curves & tracks	Side guide solutions	Miscellaneous products	Equipment	

3 0 3 9 8 n

25,4 mm (1") 2253 MODULAR BELTS - THICKNESS: 8,7 mm (0.34 in)

www.SystemPlastSmartGuide.com

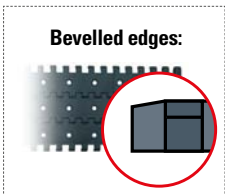
FLAT TOP - VACUUM VERSION



NG® evo conveyor components made from engineered plastic resin

- Longer wearlife than acetal
- Lower friction than acetal
- Good chemical resistance
- High abrasion resistance
- It meets the requirement for materials as stated by EC1935/2004 and FDA CFR21 norms for direct food contact
- Less dust than with acetal chains
- More.....

- Backflex radius:** 40 mm (1.58 in)
- Max load capacity:** 25000 N/m (1700 lbs/ft.)
- Weight:** 7,3 Kg/m² (1.49 lbs/ft².)
- Standard pin material:** PBT (white)
- Standard length:**
 - width ≤ 15 in: 3,048 m (10 ft.)
 - width > 15 in ≤ 66 in: 1,524 m (5 ft.)
 - width > 66 in: on request
- Open surface:** 2.24%



Other versions for 25,4 mm (1") belts:

FT Flat top	FG Flush grid	VG Rubber insert
RTC Roller top		

Information about this product is only available on our Smart Guide® website.

Standard materials
NGE (GREY BLUE)
 New Generation®

materials details:
7 3 5 6 3 a

WIDTH W		ITEM DESCRIPTION
mm	in	
305	12.00	NGE2253FT-K1200VAC43
381	15.00	NGE2253FT-K1500VAC43
457	18.00	NGE2253FT-K1800VAC43
533	21.00	NGE2253FT-K2100VAC43
610	24.00	NGE2253FT-K2400VAC43
686	27.00	NGE2253FT-K2700VAC43
762	30.00	NGE2253FT-K3000VAC43
838	33.00	NGE2253FT-K3300VAC43
914	36.00	NGE2253FT-K3600VAC43
991	39.00	NGE2253FT-K3900VAC43
1067	42.00	NGE2253FT-K4200VAC43
1143	45.00	NGE2253FT-K4500VAC43
1219	48.00	NGE2253FT-K4800VAC43
1295	51.00	NGE2253FT-K5100VAC43
1372	54.00	NGE2253FT-K5400VAC43

Other widths available on request.

Chains & sprockets	Wear strips	Side guide brackets & accessories	Levelers	Engineering manual
Modular belts & sprockets	Chain & belt return systems	Frame & structure supports	Bearing supports	
Curves & tracks	Side guide solutions	Miscellaneous products	Equipment	

3 0 3 9 8 z

APPLICATION EXAMPLES

www.SystemPlastSmartGuide.com



ROLLER TOP BELTS IN SORTING/POSITIONING SYSTEM.

Go to:

3 0 3 9 8 a



VACUUM BELT TRANSPORTING CANS.

Go to:

3 0 3 9 8 n



CONVEYOR FOR TRAYS WITH CANS.

For LBP belts, go to:

3 0 5 0 0 a

Rollers side guides, go to:

5 2 5 1 0 a

Chains & sprockets	Wear strips	Side guide brackets & accessories	Levelers	Engineering manual
Modular belts & sprockets	Chain & belt return systems	Frame & structure supports	Bearing supports	
Curves & tracks	Side guide solutions	Miscellaneous products	Equipment	

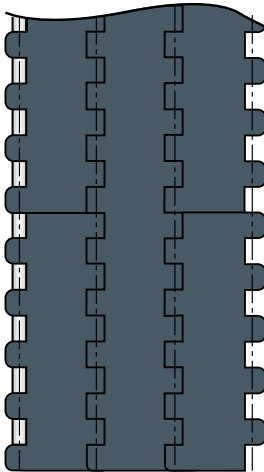
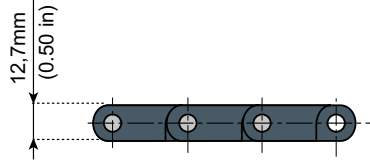
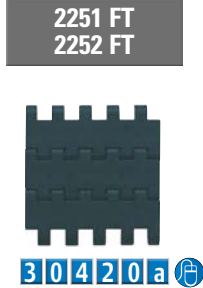
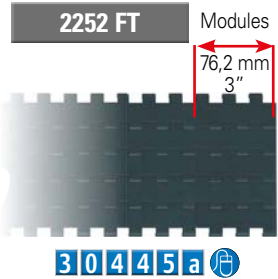
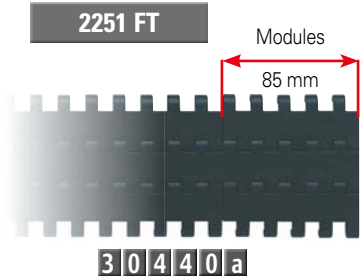
3 0 4 1 0 a

INDEX MODULAR BELTS

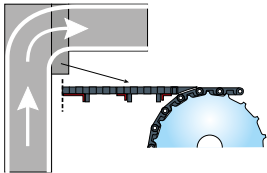
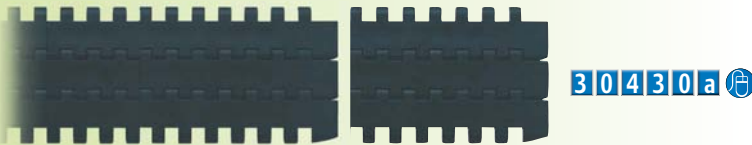
www.SystemPlastSmartGuide.com

25,4 mm (1") PITCH - THICKNESS: 12,7 mm (½")

FLAT TOP VERSION



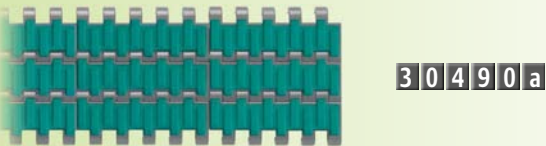
FLAT TOP VERSION WITH TRANSFER WING - 2251 FT



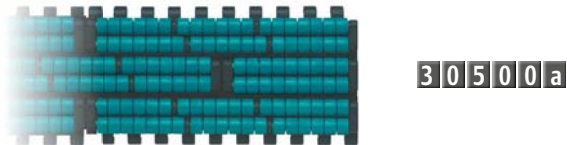
PERFORATED TOP VERSION - 2252 PT



VERSION WITH RUBBER INSERTS - 2251 VG

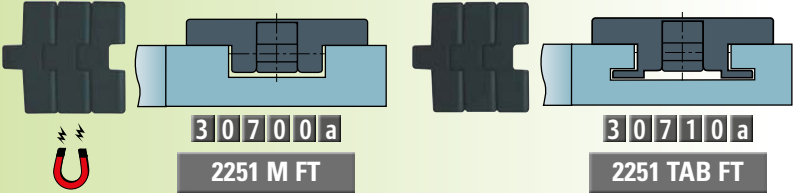


VERSION WITH ACCUMULATION ROLLERS - 2251 LBP



Information about this product is only available on our Smart Guide® website.

SIDEFLEXING CHAINBELT:



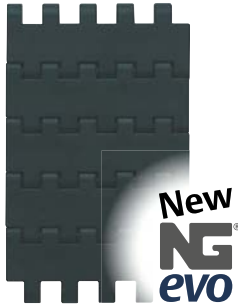
Chains & sprockets	Wear strips	Side guide brackets & accessories	Levelers	Engineering manual
Modular belts & sprockets	Chain & belt return systems	Frame & structure supports	Bearing supports	
Curves & tracks	Side guide solutions	Miscellaneous products	Equipment	

30420a

25,4 mm (1") MODULAR BELTS - THICKNESS: 12,7 mm (1/2")

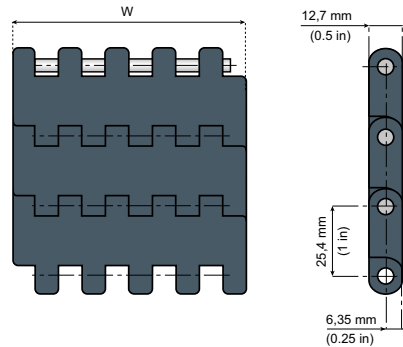
www.SystemPlastSmartGuide.com

FLAT TOP VERSION



NG® evo conveyor components made from engineered plastic resin
 Longer wearlife than acetal
 Lower friction than acetal
 Good chemical resistance
 High abrasion resistance
 It meets the requirement for materials as stated by EC1935/2004 and FDA CFR21 norms for direct food contact
 Less dust than with acetal chains
 More.....

SINGLE TRACK

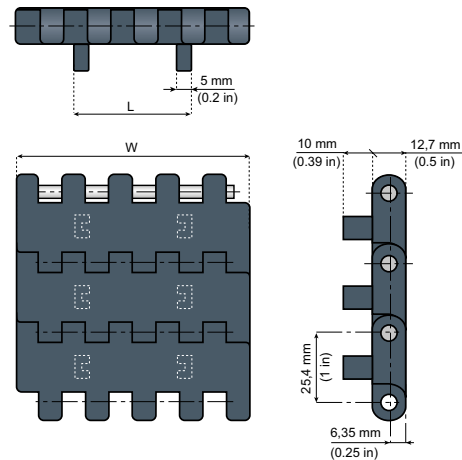


Pin material: PBT (white)

ITEM DESCRIPTION	MATERIAL	WIDTH W		PITCH		BACKFLEX RADIUS		MAX LOAD CAPACITY		WEIGHT	
		mm	in	mm	in	mm	in	N	lbs	Kg/m	lbs/ft
NGE2252FT-K300	NGE Grey Blue	76,2	3	25,4	1	25	1	2600	590	1	0.67
NGE2252FT-K325		82,6	3.25					2800	620	1,2	0.81
NGE2251FT-K330		83,8	3.3					2800	620	1,2	0.81
NGE2252FT-K450		114,3	4.5					3870	860	1,6	1.07
NGE2252FT-K600		152,4	6					5220	1170	2,1	1.4
NGE2252FT-K750		190,5	7.5					6480	1460	2,7	1.81

Standard length: 120 pitches (3,048 m - 10 ft.)

SINGLE TRACK WITH POSITIONER

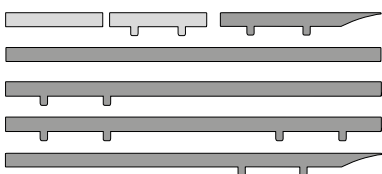


ITEM DESCRIPTION	MATERIAL	L		WIDTH W		PITCH		BACKFLEX RADIUS		MAX LOAD CAPACITY		WEIGHT	
		mm	in	mm	in	mm	in	mm	in	N	lbs	Kg/m	lbs/ft.
NGE2252FT-PT-K300	NGE Grey Blue	43,1	1.7	76,2	3	25,4	1	25	1	2600	590	1	0.67
NGE2252FT-PT-K325		43,1	1.7	82,6	3.25					2800	620	1,2	0.81
NGE2251FT-PT-K330		42,1	1.66	83,8	3.3					2800	620	1,2	0.81
NGE2252FT-PT-K450		43,1	1.7	114,3	4.5					3870	860	1,6	1.07
NGE2252FT-PT-K600		43,1	1.7	152,4	6					5220	1170	2,1	1.4
NGE2252FT-PT-K750		43,1	1.7	190,5	7.5					6480	1460	2,7	1.81

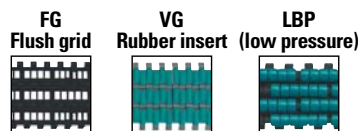
Standard length: 120 pitches (3,048 m - 10 ft.)

30550a

Notes: Schematic presentation of all flat top 25,4 mm (1") pitch belts. Thickness: 12,7 mm (0.50 in)



Other versions for 25,4 mm (1") belts:



Standard material

NGE (GREY BLUE)

New Generation®

materials details:

73563a



Information about this product is only available on our Smart Guide® website.

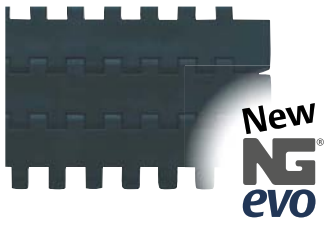
Chains & sprockets	Wear strips	Side guide brackets & accessories	Levelers	Engineering manual
Modular belts & sprockets	Chain & belt return systems	Frame & structure supports	Bearing supports	
Curves & tracks	Side guide solutions	Miscellaneous products	Equipment	



3 0 4 3 0 a

25,4 mm (1") 2251 WITH TRANSFER WING - THICKNESS: 12,7 mm (1/2")

www.SystemPlastSmartGuide.com

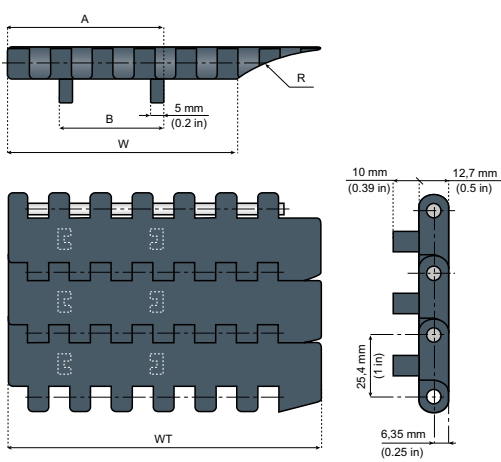


NG® evo conveyor components made from engineered plastic resin

- Longer wearlife than acetal
- Lower friction than acetal
- Good chemical resistance
- High abrasion resistance
- It meets the requirement for materials as stated by EC1935/2004 and FDA CFR21 norms for direct food contact
- Less dust than with acetal chains
- More.....

Pin material: PBT (white)
Backflex radius: 30 mm (1.18 in)

SINGLE TRACK



Information about this product is only available on our Smart Guide® website.

Standard material

NGE (GREY BLUE)

New Generation®

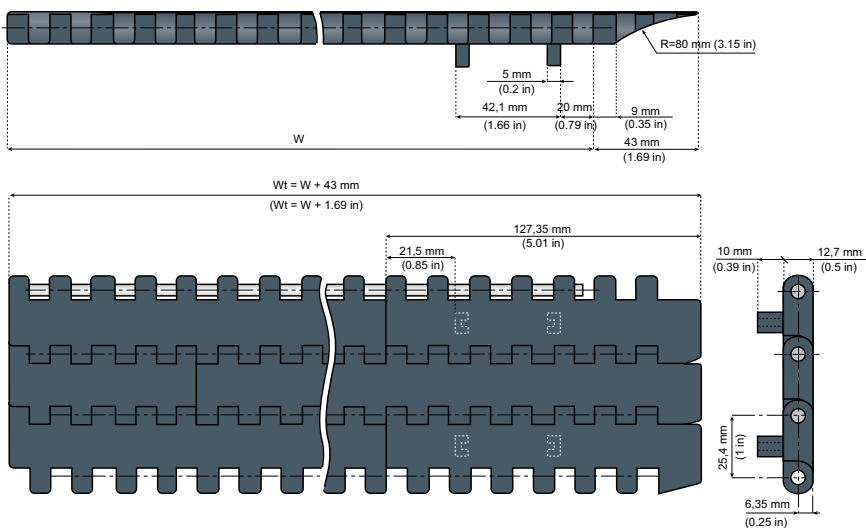
materials details:

7 3 5 6 3 a

ITEM DESCRIPTION	MATERIAL	A		B		WIDTH W		WIDTH WT		R		MAX LOAD CAPACITY		WEIGHT	
		mm	in	mm	in	mm	in	mm	in	mm	in	N	lbs	Kg/m	lbs/ft.
NGE2251FT-PT-K330T	NGE Grey Blue	63	2.48	42,1	1.66	93	3.66	127	5	80	3.15	2900	650	1,7	1.14
NGE2251FT-PT-K430TL		78,6	3.095	43,2	1.7	109,5	4.31	160	6.3	150	5.91	3800	850	2,2	1.5
NGE2251FT-PT-K730TL		116,7	4.6	43,2	1.7	185	7.3	236,2	9.3	150	5.91	6200	1400	3,2	2.2

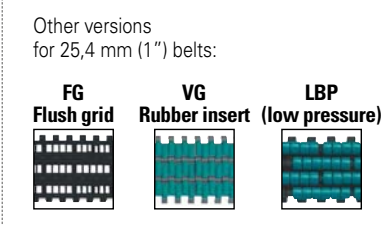
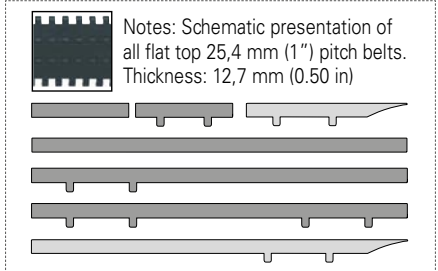
Standard length: 120 pitches (3,048 m - 10 ft.)

WIDER VERSIONS



Backflex radius: 30 mm (1.18 in)
Max load capacity: 34200 N/m (2350 lbs/ft.)
Weight: 12,5 Kg/m² (2.55 lbs/ft.²)
Pin material: PBT (white)
Standard length:
width ≤ 340 mm (13.39 in): 3,048 m (10 ft.)
width > 340 mm (13.39 in) ≤ 935 mm (36.81 in): 1,524 m (5 ft.)

3 0 5 5 0 a



WIDTH W		ITEM DESCRIPTION
mm	in	
85	3.35	NGE2251FT-PT-M0085T
170	6.69	NGE2251FT-PT-M0170T
255	10.04	NGE2251FT-PT-M0255T
340	13.39	NGE2251FT-PT-M0340T
425	16.73	NGE2251FT-PT-M0425T
510	20.08	NGE2251FT-PT-M0510T

Version with Positioning Tabs located on opposite side of belt from transfer wing is available. Replace "PT" with "PTX" if this orientation is desired.

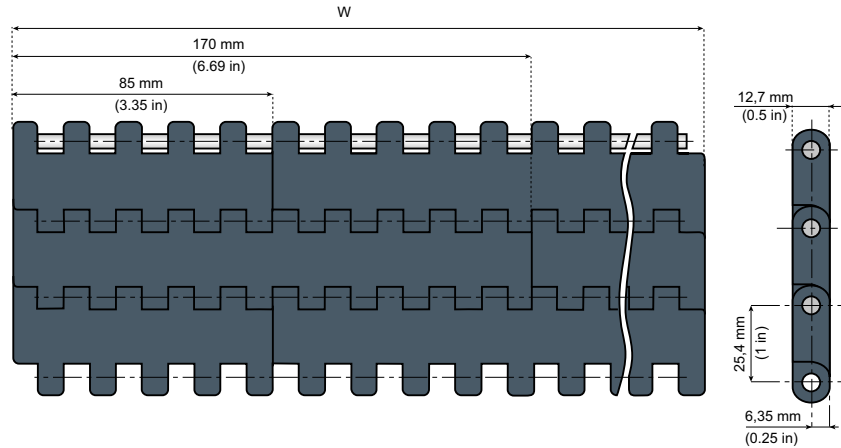
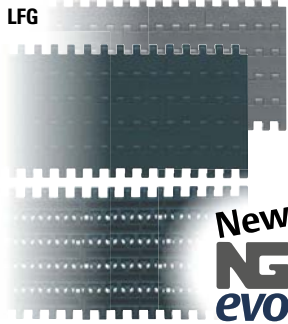
Chains & sprockets	Wear strips	Side guide brackets & accessories	Levelers	Engineering manual
Modular belts & sprockets	Chain & belt return systems	Frame & structure supports	Bearing supports	
Curves & tracks	Side guide solutions	Miscellaneous products	Equipment	

30440a

25,4 mm (1in) MODULAR BELTS 2251 - THICKNESS: 12,7 mm (1/2")

FLAT TOP VERSION

www.SystemPlastSmartGuide.com



NG® evo conveyor components made from engineered plastic resin

- Longer wearlife than acetal
- Lower friction than acetal
- Good chemical resistance
- High abrasion resistance
- It meets the requirement for materials as stated by EC1935/2004 and FDA CFR21 norms for direct food contact
- Less dust than with acetal chains
- More.....

Backflex radius: 25 mm (0.98 in)

Max load capacity (LFG): 38000 N/m (2.600 lbs/ft.)

Weight: 12,5 Kg/m² (2.55 lbs/ft.²)

Pin material: PBT (white)

Standard length:

width ≤ 340 mm (13.39 in): 3,048 m (10 ft.)

width > 340 mm (13.39 in) ≤ 935 mm (36.81 in): 1,524 m (5 ft.)

width > 935 mm (36.81 in): on request

Standard materials

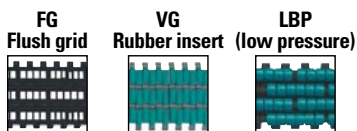
NGE (GREY BLUE)
New Generation®

LFG (GREY)
Low friction acetal resin

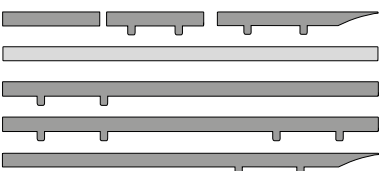
materials details:



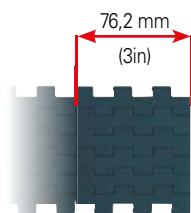
Other versions for 25,4 mm (1") belts:



Notes: Schematic presentation of all flat top 25,4 mm (1") pitch belts. Thickness: 12,7 mm (0.50 in)



Information about this product is only available on our Smart Guide® website.



Also available imperial widths. Go to:



WIDTH W		ITEM DESCRIPTION	
mm	in	NGE (GREY BLUE)	LFG (GREY)
85	3.35	NGE2251FT-M0085	LFG2251FT-M0085
170	6.69	NGE2251FT-M0170	LFG2251FT-M0170
255	10.04	NGE2251FT-M0255	LFG2251FT-M0255
340	13.39	NGE2251FT-M0340	LFG2251FT-M0340
425	16.73	NGE2251FT-M0425	LFG2251FT-M0425
510	20.08	NGE2251FT-M0510	LFG2251FT-M0510
595	23.43	NGE2251FT-M0595	LFG2251FT-M0595
680	26.77	NGE2251FT-M0680	LFG2251FT-M0680
765	30.12	NGE2251FT-M0765	LFG2251FT-M0765
850	33.46	NGE2251FT-M0850	LFG2251FT-M0850
935	36.81	NGE2251FT-M0935	LFG2251FT-M0935
1020	40.16	NGE2251FT-M1020	LFG2251FT-M1020
1105	43.50	NGE2251FT-M1105	LFG2251FT-M1105
1190	46.85	NGE2251FT-M1190	LFG2251FT-M1190
1275	50.20	NGE2251FT-M1275	LFG2251FT-M1275
1360	53.54	NGE2251FT-M1360	LFG2251FT-M1360
1445	56.89	NGE2251FT-M1445	LFG2251FT-M1445
1530	60.24	NGE2251FT-M1530	LFG2251FT-M1530
1615	63.58	NGE2251FT-M1615	LFG2251FT-M1615
1700	66.93	NGE2251FT-M1700	LFG2251FT-M1700
1785	70.28	NGE2251FT-M1785	LFG2251FT-M1785
1870	73.62	NGE2251FT-M1870	LFG2251FT-M1870
1955	76.97	NGE2251FT-M1955	LFG2251FT-M1955
2040	80.31	NGE2251FT-M2040	LFG2251FT-M2040
2125	83.66	NGE2251FT-M2125	LFG2251FT-M2125
2210	87.01	NGE2251FT-M2210	LFG2251FT-M2210
2295	90.35	NGE2251FT-M2295	LFG2251FT-M2295

Other widths available on request.

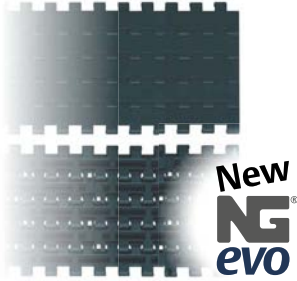
Chains & sprockets	Wear strips	Side guide brackets & accessories	Levelers	Engineering manual
Modular belts & sprockets	Chain & belt return systems	Frame & structure supports	Bearing supports	
Curves & tracks	Side guide solutions	Miscellaneous products	Equipment	

3 0 4 4 5 a

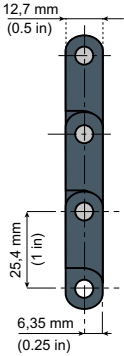
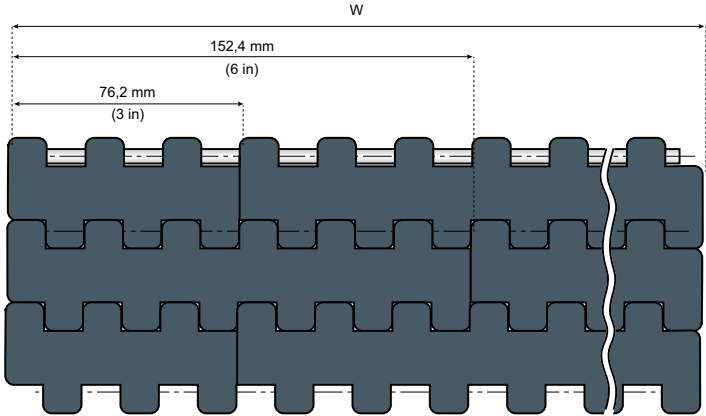
25,4 mm (1") MODULAR BELTS 2252 - THICKNESS: 12,7 mm (1/2")

www.SystemPlastSmartGuide.com

FLAT TOP VERSION - 76,2 mm (3") MODULES



NG® EVO conveyor components made from engineered plastic resin
 Longer wearlife than acetal
 Lower friction than acetal
 Good chemical resistance
 High abrasion resistance
 It meets the requirement for materials as stated by EC1935/2004 and FDA CFR21 norms for direct food contact
 Less dust than with acetal chains
 More.....



- Backflex radius:** 1 in (25,4 mm)
- Max load capacity:** 34200 N/m (2340 lbs/ft.)
- Weight:** 12,9 Kg/m² (2.63 lbs/ft.²)
- Pin material:** PBT (white)
- Standard length:**
 - width ≤ 15 in: 3,048 m (ft.)
 - width > 15 in ≤ 36 in: 1,524 m (5 ft.)
 - width > 36 in: on request

Standard material

NGE (GREY BLUE)
New Generation®

3 0 5 5 0 a

Other versions for 25,4 mm (1") belts:

FG Flush grid	VG Rubber insert	LBP low pressure
-------------------------	----------------------------	----------------------------

Notes: Schematic presentation of all flat top 25,4 mm (1") pitch belts. Thickness: 12,7 mm (0.50 in)

85 mm (3.35 in)

Also available in metric widths. Go to: **3 0 4 4 0 a**

Information about this product is only available on our Smart Guide® website.

WIDTH W		ITEM DESCRIPTION
mm	in	
76	3.00	NGE2252FT-K300
152	6.00	NGE2252FT-K600
229	9.00	NGE2252FT-K900
305	12.00	NGE2252FT-K1200
381	15.00	NGE2252FT-K1500
457	18.00	NGE2252FT-K1800
533	21.00	NGE2252FT-K2100
610	24.00	NGE2252FT-K2400
686	27.00	NGE2252FT-K2700
762	30.00	NGE2252FT-K3000
838	33.00	NGE2252FT-K3300
914	36.00	NGE2252FT-K3600
991	39.00	NGE2252FT-K3900
1067	42.00	NGE2252FT-K4200
1143	45.00	NGE2252FT-K4500
1219	48.00	NGE2252FT-K4800
1295	51.00	NGE2252FT-K5100
1372	54.00	NGE2252FT-K5400
1448	57.00	NGE2252FT-K5700
1524	60.00	NGE2252FT-K6000
1600	63.00	NGE2252FT-K6300
1676	66.00	NGE2252FT-K6600
1753	69.00	NGE2252FT-K6900
1829	72.00	NGE2252FT-K7200
1905	75.00	NGE2252FT-K7500
1981	78.00	NGE2252FT-K7800
2057	81.00	NGE2252FT-K8100
2134	84.00	NGE2252FT-K8400
2210	87.00	NGE2252FT-K8700
2286	90.00	NGE2252FT-K9000

Other widths available on request.

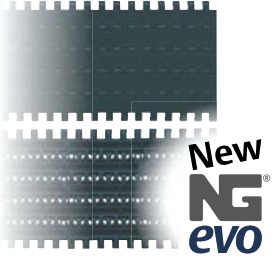
Chains & sprockets	Wear strips	Side guide brackets & accessories	Levelers	Engineering manual
Modular belts & sprockets	Chain & belt return systems	Frame & structure supports	Bearing supports	
Curves & tracks	Side guide solutions	Miscellaneous products	Equipment	

30450b

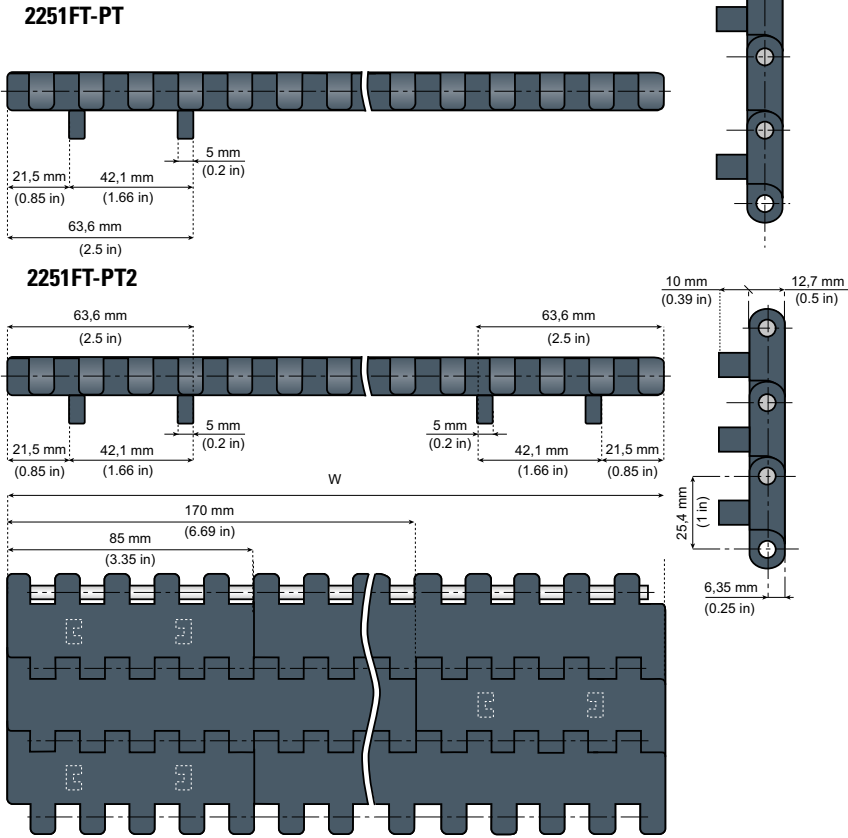
25,4 mm (1") MODULAR BELTS 2251 - THICKNESS: 12,7 mm (1/2")

www.SystemPlastSmartGuide.com

FLAT TOP VERSION WITH TWIN POSITIONERS



NG® evo conveyor components
made from engineered plastic resin
 Longer wearlife than acetal
 Lower friction than acetal
 Good chemical resistance
 High abrasion resistance
 It meets the requirement for materials as stated by EC1935/2004 and FDA CFR21 norms for direct food contact
 Less dust than with acetal chains
 More.....



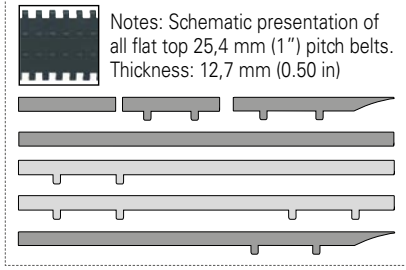
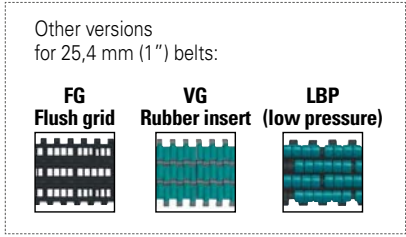
- Backflex radius:** 25 mm (0.98 in)
- Max load capacity:** 38000 N/m (2600 lbs/ft.)
- Weight:** 12,5 Kg/m² (2.55 lbs/ft²)
- Pin material:** PBT (white)
- Standard length:**
 - width ≤ 340 mm (13.39 in): 3,048 m (10 ft.)
 - width > 340 mm (13.39 in) ≤ 935 mm (36.81 in): 1,524 m (5 ft.)
 - width > 935 mm (36.81 in): on request



Information about this product is only available on our Smart Guide® website.

- Standard materials**
- NGE (GREY BLUE)**
- New Generation®
- LFG (GREY)**
- Low friction acetal resin

materials details: **73563a**



WIDTH W		ITEM DESCRIPTION	ITEM DESCRIPTION
mm	in		
85	3.35	NGE2251FT-PT-M0085	-
170	6.69	NGE2251FT-PT-M0170	NGE2251FT-PT2-M0170
255	10.04	NGE2251FT-PT-M0255	NGE2251FT-PT2-M0255
340	13.39	NGE2251FT-PT-M0340	NGE2251FT-PT2-M0340
425	16.73	NGE2251FT-PT-M0425	NGE2251FT-PT2-M0425
510	20.08	NGE2251FT-PT-M0510	NGE2251FT-PT2-M0510
595	23.43	NGE2251FT-PT-M0595	NGE2251FT-PT2-M0595
680	26.77	NGE2251FT-PT-M0680	NGE2251FT-PT2-M0680
765	30.12	NGE2251FT-PT-M0765	NGE2251FT-PT2-M0765
850	33.46	NGE2251FT-PT-M0850	NGE2251FT-PT2-M0850
935	36.81	NGE2251FT-PT-M0935	NGE2251FT-PT2-M0935
1020	40.16	NGE2251FT-PT-M1020	NGE2251FT-PT2-M1020
1105	43.50	NGE2251FT-PT-M1105	NGE2251FT-PT2-M1105
1190	46.85	NGE2251FT-PT-M1190	NGE2251FT-PT2-M1190
1275	50.20	NGE2251FT-PT-M1275	NGE2251FT-PT2-M1275
1360	53.54	NGE2251FT-PT-M1360	NGE2251FT-PT2-M1360
1445	56.89	NGE2251FT-PT-M1445	NGE2251FT-PT2-M1445
1530	60.24	NGE2251FT-PT-M1530	NGE2251FT-PT2-M1530
1615	63.58	NGE2251FT-PT-M1615	NGE2251FT-PT2-M1615
1700	66.93	NGE2251FT-PT-M1700	NGE2251FT-PT2-M1700
1785	70.28	NGE2251FT-PT-M1785	NGE2251FT-PT2-M1785
1870	73.62	NGE2251FT-PT-M1870	NGE2251FT-PT2-M1870

Other widths available on request.

Chains & sprockets	Wear strips	Side guide brackets & accessories	Levelers	Engineering manual
Modular belts & sprockets	Chain & belt return systems	Frame & structure supports	Bearing supports	
Curves & tracks	Side guide solutions	Miscellaneous products	Equipment	

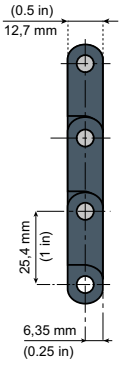
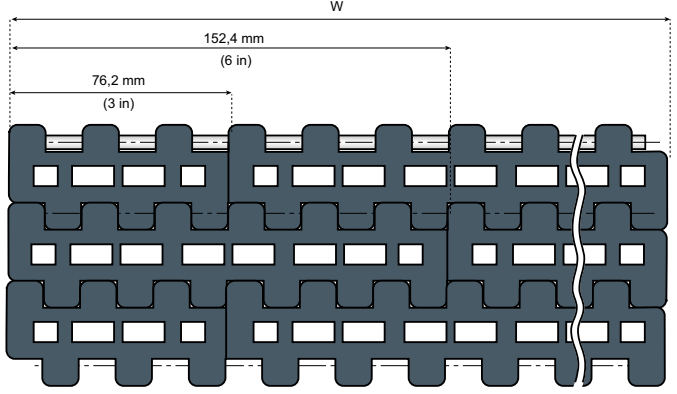


3 0 4 8 1 a

25,4 mm (1") 2252 MODULAR BELTS - THICKNESS: 12,7 mm (1/2")

PERFORATED TOP VERSION

www.SystemPlastSmartGuide.com



NG® evo conveyor components made from engineered plastic resin
 Longer wearlife than acetal
 Lower friction than acetal
 Good chemical resistance
 High abrasion resistance
 It meets the requirement for materials as stated by EC1935/2004 and FDA CFR21 norms for direct food contact
 Less dust than with acetal chains
 More.....

- Backflex radius:** 25,4 mm (1")
- Max load capacity:** 34200 N/m (2340 lbs/ft.)
- Weight:** 14,0 Kg/m² (2.86 lbs/ft².)
- Pin material:** PBT (white)
- Open surface:** 14%
- Standard length:**
 width ≤ 15 in: 3,048 m (10 ft.)
 width > 15 in, but ≤ 36 in: 1,524 m (5 ft.)
 width > 36 in: on request



Information about this product is only available on our Smart Guide® website.

Standard material

NGE (GREY BLUE)
New Generation®

materials details:

7 3 5 6 3 a

3 0 5 5 0 a

Other versions for 25,4 mm (1") belts:

FT Flat top	VG Rubber insert	LBP (Low pressure)

WIDTH W		ITEM DESCRIPTION
mm	in	
76	3.00	NGE2252PT-K300
152	6.00	NGE2252PT-K600
229	9.00	NGE2252PT-K900
305	12.00	NGE2252PT-K1200
381	15.00	NGE2252PT-K1500
457	18.00	NGE2252PT-K1800
533	21.00	NGE2252PT-K2100
610	24.00	NGE2252PT-K2400
686	27.00	NGE2252PT-K2700
762	30.00	NGE2252PT-K3000
838	33.00	NGE2252PT-K3300
914	36.00	NGE2252PT-K3600
991	39.00	NGE2252PT-K3900
1067	42.00	NGE2252PT-K4200
1143	45.00	NGE2252PT-K4500
1219	48.00	NGE2252PT-K4800
1295	51.00	NGE2252PT-K5100
1372	54.00	NGE2252PT-K5400

Other widths available on request.

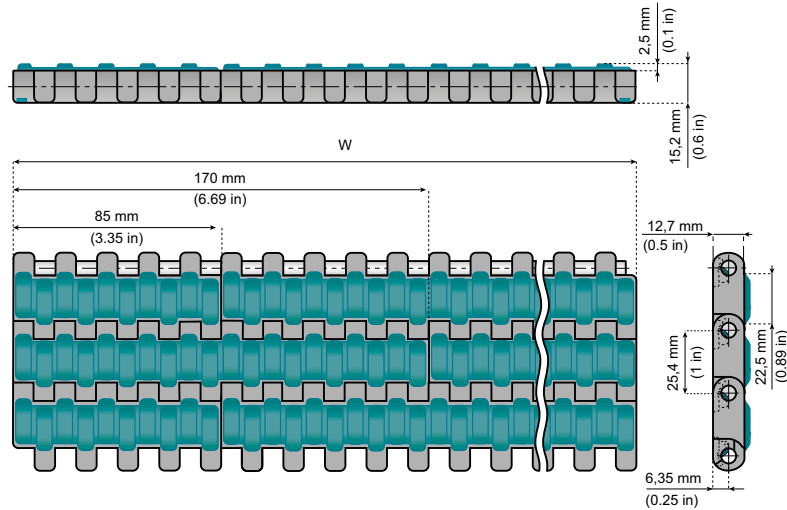
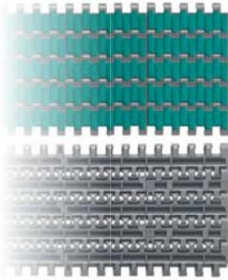
Chains & sprockets	Wear strips	Side guide brackets & accessories	Levelers	Engineering manual
Modular belts & sprockets	Chain & belt return systems	Frame & structure supports	Bearing supports	
Curves & tracks	Side guide solutions	Miscellaneous products	Equipment	

30490a

25,4 mm (1") MODULAR BELTS - THICKNESS: 12,7 mm (½")

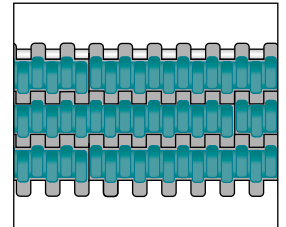
www.SystemPlastSmartGuide.com

RUBBER INSERT EVERY PITCH



Belt material: low friction acetal resin, grey colour
Rubber material: thermoplastic rubber, waterblue colour, 70 shore A.
Backflex radius: 30 mm (1.18 in)
Max load capacity: 38000 N/m (2600 lbs/ft.)
Pin material: PBT (white)
Standard length:
width ≤ 340 mm (13.39 in): 3,048 m (10 ft.)
width > 340 mm (13.39 in) ≤ 935 mm (36.81 in): 1,524 m (5 ft.)
width > 935 mm (36.81 in): on request

VG 2251
Insert every pitch



Weight:
13,5 Kg/m² (2.75 lbs/ft²)

30550a

Standard material

LFG (GREY)

Low friction acetal resin

materials details:

73563a

TPR (WATER BLUE)

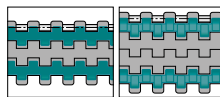
Thermoplastic rubber

materials details:

73570a



Information about this product is only available on our Smart Guide® website.



For insert every 2nd or 3th pitch, go to:

30490b

Other versions for 25,4 mm (1") belts:

FT

Flat top



FG

Flush grid

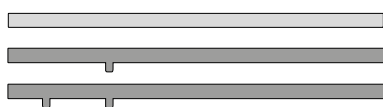


LBP

(Low pressure)



Notes: Schematic presentation of all VG rubber insert 25,4 mm (1") pitch belts. Thickness: 12,7 mm (½")



Also available with side indent. Go to:

30495a

WIDTH W		ITEM DESCRIPTION
mm	in	
85	3.35	LFG2251FT-M0085VG
170	6.69	LFG2251FT-M0170VG
255	10.04	LFG2251FT-M0255VG
340	13.39	LFG2251FT-M0340VG
425	16.73	LFG2251FT-M0425VG
510	20.08	LFG2251FT-M0510VG
595	23.43	LFG2251FT-M0595VG
680	26.77	LFG2251FT-M0680VG
765	30.12	LFG2251FT-M0765VG
850	33.46	LFG2251FT-M0850VG
935	36.81	LFG2251FT-M0935VG
1020	40.16	LFG2251FT-M1020VG
1105	43.50	LFG2251FT-M1105VG
1190	46.85	LFG2251FT-M1190VG
1275	50.20	LFG2251FT-M1275VG
1360	53.54	LFG2251FT-M1360VG
1445	56.89	LFG2251FT-M1445VG
1530	60.24	LFG2251FT-M1530VG
1615	63.58	LFG2251FT-M1615VG
1700	66.93	LFG2251FT-M1700VG
1785	70.28	LFG2251FT-M1785VG
1870	73.62	LFG2251FT-M1870VG

Other widths available on request.

Chains & sprockets	Wear strips	Side guide brackets & accessories	Levelers	Engineering manual
Modular belts & sprockets	Chain & belt return systems	Frame & structure supports	Bearing supports	
Curves & tracks	Side guide solutions	Miscellaneous products	Equipment	

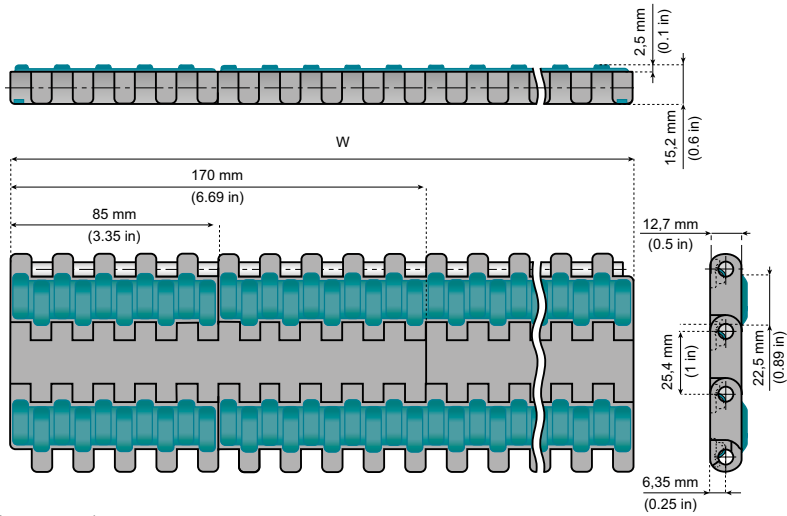
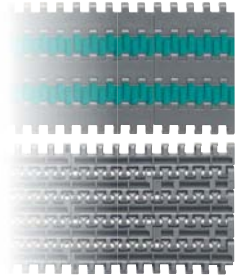


30490b

25,4 mm (1") MODULAR BELTS - THICKNESS: 12,7 mm (1/2")

RUBBER INSERT EVERY 2ND & 3TH PITCH

www.SystemPlastSmartGuide.com



- Belt material:** low friction acetal resin, grey colour
- Rubber material:** thermoplastic rubber, waterblue colour, 70 shore A.
- Backflex radius:** 30 mm (1.18 in)
- Max load capacity:** 38000 N/m (2600 lbs/ft.)
- Pin material:** PBT (white)
- Standard length:**
 - width ≤ 340 mm (13.39 in): 3,048 m (10 ft.)
 - width > 340 mm (13.39 in) ≤ 935 mm (36.81 in): 1,524 m (5 ft.)
 - width > 935 mm (36.81 in): on request

30550a

Standard material

LFG (GREY)

Low friction acetal resin

materials details:

73563a

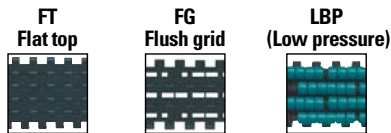
TPR (WATER BLUE)

Thermoplastic rubber

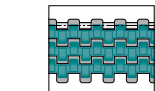
materials details:

73570a

Other versions for 25,4 mm (1") belts:



Information about this product is only available on our Smart Guide® website.

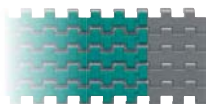
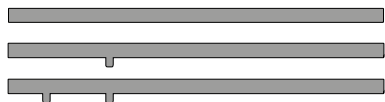


For every insert, go to:

30490a



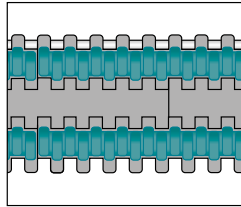
Notes: Schematic presentation of all VG rubber insert 25,4 mm (1") pitch belts. Thickness: 12,7 mm (1/2")



Also available with side indent. Go to:

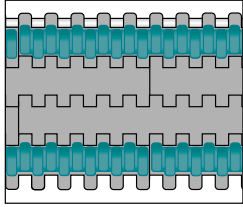
30495a

VG2 2251
Insert every 2nd pitch



Weight:
13,0 Kg/m² (2.65 lbs/ft²)

VG3 2251
Insert every 3th pitch



Weight:
12,8 Kg/m² (2.61 lbs/ft²)

WIDTH W		ITEM DESCRIPTION	ITEM DESCRIPTION
mm	in		
85	3.35	LFG2251FT-M0085VG-2	LFG2251FT-M0085VG-3
170	6.69	LFG2251FT-M0170VG-2	LFG2251FT-M0170VG-3
255	10.04	LFG2251FT-M0255VG-2	LFG2251FT-M0255VG-3
340	13.39	LFG2251FT-M0340VG-2	LFG2251FT-M0340VG-3
425	16.73	LFG2251FT-M0425VG-2	LFG2251FT-M0425VG-3
510	20.08	LFG2251FT-M0510VG-2	LFG2251FT-M0510VG-3
595	23.43	LFG2251FT-M0595VG-2	LFG2251FT-M0595VG-3
680	26.77	LFG2251FT-M0680VG-2	LFG2251FT-M0680VG-3
765	30.12	LFG2251FT-M0765VG-2	LFG2251FT-M0765VG-3
850	33.46	LFG2251FT-M0850VG-2	LFG2251FT-M0850VG-3
935	36.81	LFG2251FT-M0935VG-2	LFG2251FT-M0935VG-3
1020	40.16	LFG2251FT-M1020VG-2	LFG2251FT-M1020VG-3
1105	43.50	LFG2251FT-M1105VG-2	LFG2251FT-M1105VG-3
1190	46.85	LFG2251FT-M1190VG-2	LFG2251FT-M1190VG-3
1275	50.20	LFG2251FT-M1275VG-2	LFG2251FT-M1275VG-3
1360	53.54	LFG2251FT-M1360VG-2	LFG2251FT-M1360VG-3
1445	56.89	LFG2251FT-M1445VG-2	LFG2251FT-M1445VG-3
1530	60.24	LFG2251FT-M1530VG-2	LFG2251FT-M1530VG-3
1615	63.58	LFG2251FT-M1615VG-2	LFG2251FT-M1615VG-3
1700	66.93	LFG2251FT-M1700VG-2	LFG2251FT-M1700VG-3
1785	70.28	LFG2251FT-M1785VG-2	LFG2251FT-M1785VG-3
1870	73.62	LFG2251FT-M1870VG-2	LFG2251FT-M1870VG-3

Other widths available on request.

Chains & sprockets	Wear strips	Side guide brackets & accessories	Levelers	Engineering manual
Modular belts & sprockets	Chain & belt return systems	Frame & structure supports	Bearing supports	
Curves & tracks	Side guide solutions	Miscellaneous products	Equipment	

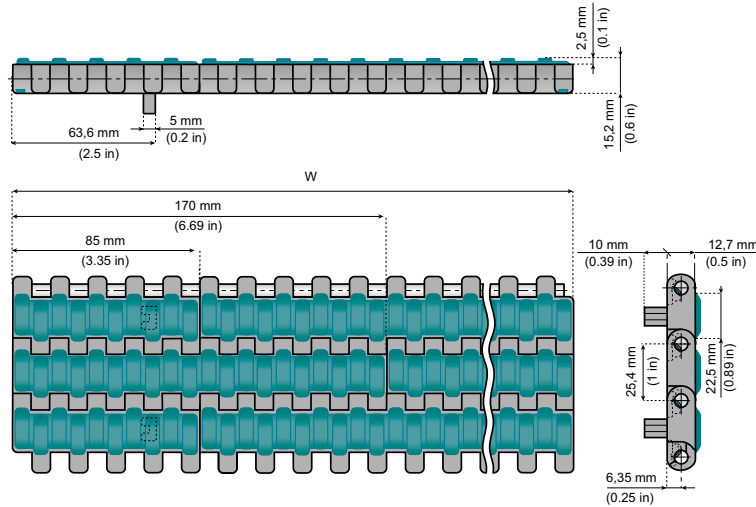
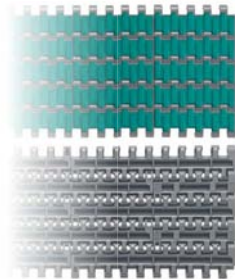


30490c

25,4 mm (1") MODULAR BELTS - THICKNESS: 12,7 mm (½")

VERSIONS WITH POSITIONERS / RUBBER INSERTS

www.SystemPlastSmartGuide.com



Belt material: low friction acetal resin, grey colour

Rubber material: thermoplastic rubber, waterblue colour, 70 shore A.

Backflex radius: 30 mm (1.18 in)

Max load capacity: 38000 N/m (2600 lbs/ft.)

Pin material: PBT (white)

Standard length:

width ≤ 340 mm (13.39 in): 3,048 m (10 ft.)

width > 340 mm (13.39 in) ≤ 935 mm (36.81 in): 1,524 m (5 ft.)

width > 935 mm (36.81 in): on request

Also available with side indent. Go to:

30495a



Information about this product is only available on our Smart Guide® website.

Standard material

LFG (GREY)

Low friction acetal resin

materials details:

73563a

TPR (WATER BLUE)

Thermoplastic rubber

materials details:

73570a

Other versions for 25,4 mm (1") belts:

FT
Flat top



FG
Flush grid

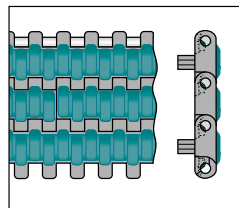


LBP
(Low pressure)



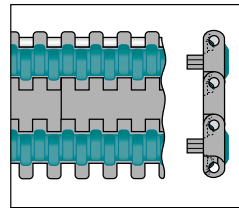
Notes: Schematic presentation of all VG rubber insert 25,4 mm (1") pitch belts. Thickness: 12,7 mm (½")

VG 2251 P1 Insert every pitch



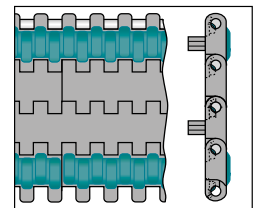
Weight:
13,5 Kg/m² (2.75 lbs/ft²)

VG2 2251 P1 Insert every 2nd pitch



Weight:
13,0 Kg/m² (2.65 lbs/ft²)

VG3 2251 P1 Insert every 3th pitch



Weight:
12,8 Kg/m² (2.61 lbs/ft²)

WIDTH W		ITEM DESCRIPTION	ITEM DESCRIPTION	ITEM DESCRIPTION
mm	in			
85	3.35	LFG2251FT-P-M0085VG	LFG2251FT-P-M0085VG-2	LFG2251FT-P-M0085VG-3
170	6.69	LFG2251FT-P-M0170VG	LFG2251FT-P-M0170VG-2	LFG2251FT-P-M0170VG-3
255	10.04	LFG2251FT-P-M0255VG	LFG2251FT-P-M0255VG-2	LFG2251FT-P-M0255VG-3
340	13.39	LFG2251FT-P-M0340VG	LFG2251FT-P-M0340VG-2	LFG2251FT-P-M0340VG-3
425	16.73	LFG2251FT-P-M0425VG	LFG2251FT-P-M0425VG-2	LFG2251FT-P-M0425VG-3
510	20.08	LFG2251FT-P-M0510VG	LFG2251FT-P-M0510VG-2	LFG2251FT-P-M0510VG-3
595	23.43	LFG2251FT-P-M0595VG	LFG2251FT-P-M0595VG-2	LFG2251FT-P-M0595VG-3
680	26.77	LFG2251FT-P-M0680VG	LFG2251FT-P-M0680VG-2	LFG2251FT-P-M0680VG-3
765	30.12	LFG2251FT-P-M0765VG	LFG2251FT-P-M0765VG-2	LFG2251FT-P-M0765VG-3
850	33.46	LFG2251FT-P-M0850VG	LFG2251FT-P-M0850VG-2	LFG2251FT-P-M0850VG-3
935	36.81	LFG2251FT-P-M0935VG	LFG2251FT-P-M0935VG-2	LFG2251FT-P-M0935VG-3
1020	40.16	LFG2251FT-P-M1020VG	LFG2251FT-P-M1020VG-2	LFG2251FT-P-M1020VG-3
1105	43.50	LFG2251FT-P-M1105VG	LFG2251FT-P-M1105VG-2	LFG2251FT-P-M1105VG-3
1190	46.85	LFG2251FT-P-M1190VG	LFG2251FT-P-M1190VG-2	LFG2251FT-P-M1190VG-3
1275	50.20	LFG2251FT-P-M1275VG	LFG2251FT-P-M1275VG-2	LFG2251FT-P-M1275VG-3
1360	53.54	LFG2251FT-P-M1360VG	LFG2251FT-P-M1360VG-2	LFG2251FT-P-M1360VG-3
1445	56.89	LFG2251FT-P-M1445VG	LFG2251FT-P-M1445VG-2	LFG2251FT-P-M1445VG-3
1530	60.24	LFG2251FT-P-M1530VG	LFG2251FT-P-M1530VG-2	LFG2251FT-P-M1530VG-3
1615	63.58	LFG2251FT-P-M1615VG	LFG2251FT-P-M1615VG-2	LFG2251FT-P-M1615VG-3
1700	66.93	LFG2251FT-P-M1700VG	LFG2251FT-P-M1700VG-2	LFG2251FT-P-M1700VG-3
1785	70.28	LFG2251FT-P-M1785VG	LFG2251FT-P-M1785VG-2	LFG2251FT-P-M1785VG-3
1870	73.62	LFG2251FT-P-M1870VG	LFG2251FT-P-M1870VG-2	LFG2251FT-P-M1870VG-3

Other widths available on request.



Chains & sprockets	Wear strips	Side guide brackets & accessories	Levelers	Engineering manual
Modular belts & sprockets	Chain & belt return systems	Frame & structure supports	Bearing supports	
Curves & tracks	Side guide solutions	Miscellaneous products	Equipment	

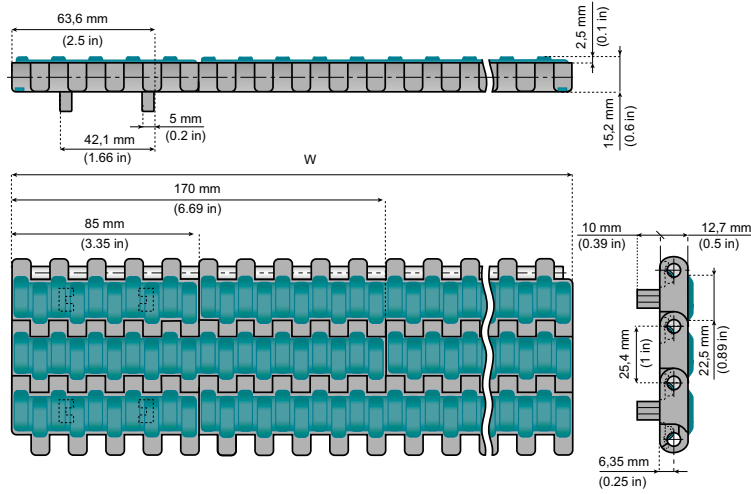
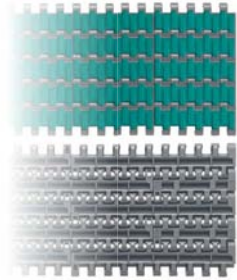


30490d

25,4 mm (1") MODULAR BELTS - THICKNESS: 12,7 mm (½")

VERSIONS WITH TWIN POSITIONERS / RUBBER INSERTS

www.SystemPlastSmartGuide.com



Belt material: low friction acetal resin, grey colour
Rubber material: thermoplastic rubber, waterblue colour, 70 shore A.
Backflex radius: 30 mm (1.18 in)
Max load capacity: 38000 N/m (2600 lbs/ft.)
Pin material: PBT (white)
Standard length:
width ≤ 340 mm (13.39 in): 3,048 m (10 ft.)
width > 340 mm (13.39 in) ≤ 935 mm (36.81 in): 1,524 m (5 ft.)
width > 935 mm (36.81 in): on request

Also available with side indent. Go to: **30495a**

Information about this product is only available on our Smart Guide® website.

Standard material
LFG (GREY)
Low friction acetal resin

materials details:

73563a

TPR (WATER BLUE)
Thermoplastic rubber

materials details:

73570a

Other versions for 25,4 mm (1") belts:

FT Flat top **FG Flush grid** **LBP (Low pressure)**

Notes: Schematic presentation of all VG rubber insert 25,4 mm (1") pitch belts. Thickness: 12,7 mm (½")

VG 2251 P2
Insert every pitch

Weight:
13,5 Kg/m² (2.75 lbs/ft²)

VG2 2251 P2
Insert every 2nd pitch

Weight:
13,0 (2.65 lbs/ft²)

VG3 2251 P3
Insert every 3th pitch

Weight:
12,8 Kg/m² (2.61 lbs/ft²)

WIDTH W		ITEM DESCRIPTION		ITEM DESCRIPTION		ITEM DESCRIPTION	
mm	in						
85	3.35	LFG2251FT-PT-M0085VG	LFG2251FT-PT-M0085VG-2	LFG2251FT-PT-M0085VG-3			
170	6.69	LFG2251FT-PT-M0170VG	LFG2251FT-PT-M0170VG-2	LFG2251FT-PT-M0170VG-3			
255	10.04	LFG2251FT-PT-M0255VG	LFG2251FT-PT-M0255VG-2	LFG2251FT-PT-M0255VG-3			
340	13.39	LFG2251FT-PT-M0340VG	LFG2251FT-PT-M0340VG-2	LFG2251FT-PT-M0340VG-3			
425	16.73	LFG2251FT-PT-M0425VG	LFG2251FT-PT-M0425VG-2	LFG2251FT-PT-M0425VG-3			
510	20.08	LFG2251FT-PT-M0510VG	LFG2251FT-PT-M0510VG-2	LFG2251FT-PT-M0510VG-3			
595	23.43	LFG2251FT-PT-M0595VG	LFG2251FT-PT-M0595VG-2	LFG2251FT-PT-M0595VG-3			
680	26.77	LFG2251FT-PT-M0680VG	LFG2251FT-PT-M0680VG-2	LFG2251FT-PT-M0680VG-3			
765	30.12	LFG2251FT-PT-M0765VG	LFG2251FT-PT-M0765VG-2	LFG2251FT-PT-M0765VG-3			
850	33.46	LFG2251FT-PT-M0850VG	LFG2251FT-PT-M0850VG-2	LFG2251FT-PT-M0850VG-3			
935	36.81	LFG2251FT-PT-M0935VG	LFG2251FT-PT-M0935VG-2	LFG2251FT-PT-M0935VG-3			
1020	40.16	LFG2251FT-PT-M1020VG	LFG2251FT-PT-M1020VG-2	LFG2251FT-PT-M1020VG-3			
1105	43.50	LFG2251FT-PT-M1105VG	LFG2251FT-PT-M1105VG-2	LFG2251FT-PT-M1105VG-3			
1190	46.85	LFG2251FT-PT-M1190VG	LFG2251FT-PT-M1190VG-2	LFG2251FT-PT-M1190VG-3			
1275	50.20	LFG2251FT-PT-M1275VG	LFG2251FT-PT-M1275VG-2	LFG2251FT-PT-M1275VG-3			
1360	53.54	LFG2251FT-PT-M1360VG	LFG2251FT-PT-M1360VG-2	LFG2251FT-PT-M1360VG-3			
1445	56.89	LFG2251FT-PT-M1445VG	LFG2251FT-PT-M1445VG-2	LFG2251FT-PT-M1445VG-3			
1530	60.24	LFG2251FT-PT-M1530VG	LFG2251FT-PT-M1530VG-2	LFG2251FT-PT-M1530VG-3			
1615	63.58	LFG2251FT-PT-M1615VG	LFG2251FT-PT-M1615VG-2	LFG2251FT-PT-M1615VG-3			
1700	66.93	LFG2251FT-PT-M1700VG	LFG2251FT-PT-M1700VG-2	LFG2251FT-PT-M1700VG-3			
1785	70.28	LFG2251FT-PT-M1785VG	LFG2251FT-PT-M1785VG-2	LFG2251FT-PT-M1785VG-3			
1870	73.62	LFG2251FT-PT-M1870VG	LFG2251FT-PT-M1870VG-2	LFG2251FT-PT-M1870VG-3			

Other widths available on request.

Chains & sprockets	Wear strips	Side guide brackets & accessories	Levelers	Engineering manual
Modular belts & sprockets	Chain & belt return systems	Frame & structure supports	Bearing supports	
Curves & tracks	Side guide solutions	Miscellaneous products	Equipment	

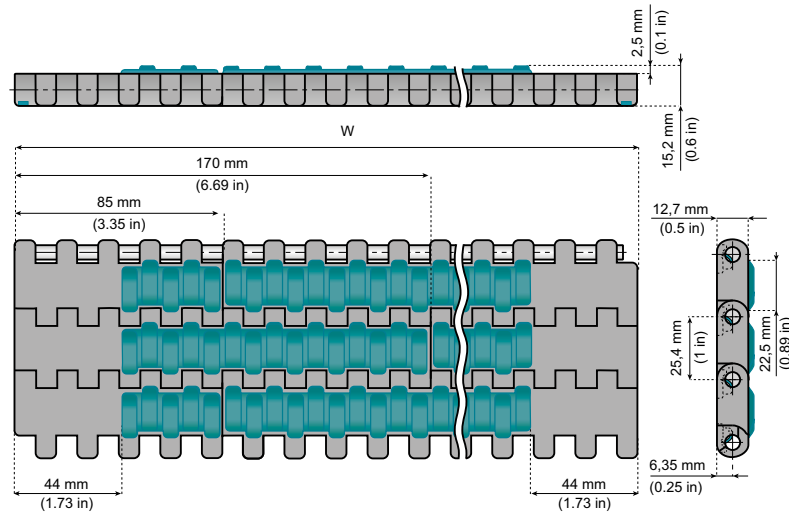
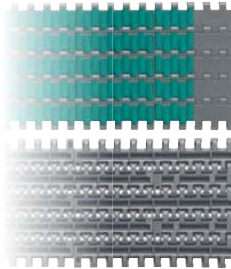


30495a

25,4 mm (1") MODULAR BELTS - THICKNESS: 12,7 mm (½")

RUBBER INSERT EVERY PITCH WITH SIDE INDENT

www.SystemPlastSmartGuide.com



VERSION WITH SIDE INDENT

Belt material: low friction acetal resin, grey colour

Rubber material: thermoplastic rubber, waterblue colour, 70 shore A.

Backflex radius: 30 mm (1.18 in)

Max load capacity: 38000 N/m (2600 lbs/ft.)

Pin material: PBT (white)

Standard length:

width ≤ 340 mm (13.39 in): 3,048 m (10 ft.)

width > 340 mm (13.39 in) ≤ 935 mm (36.81 in): 1,524 m (5 ft.)

width > 935 mm (36.81 in): on request

Standard material

LFG (GREY)

Low friction acetal resin

materials details:

73563a

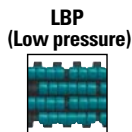
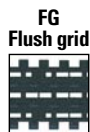
TPR (WATER BLUE)

Thermoplastic rubber

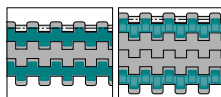
materials details:

73570a

Other versions for 25,4 mm (1") belts:



30550a



For insert every 2nd or 3th pitch, go to:

30495b



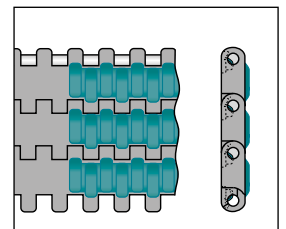
For full rubber surface width. Go to:

30490a



Information about this product is only available on our Smart Guide® website.

VGS 2251 Insert every pitch



Weight:

13,5 Kg/m² (2.75 lbs/ft²)

WIDTH W		ITEM DESCRIPTION
mm	in	
255	10.04	LFG2251FT-M0255VGS
340	13.39	LFG2251FT-M0340VGS
425	16.73	LFG2251FT-M0425VGS
510	20.08	LFG2251FT-M0510VGS
595	23.43	LFG2251FT-M0595VGS
680	26.77	LFG2251FT-M0680VGS
765	30.12	LFG2251FT-M0765VGS
850	33.46	LFG2251FT-M0850VGS
935	36.81	LFG2251FT-M0935VGS
1020	40.16	LFG2251FT-M1020VGS
1105	43.50	LFG2251FT-M1105VGS
1190	46.85	LFG2251FT-M1190VGS
1275	50.20	LFG2251FT-M1275VGS
1360	53.54	LFG2251FT-M1360VGS
1445	56.89	LFG2251FT-M1445VGS
1530	60.24	LFG2251FT-M1530VGS
1615	63.58	LFG2251FT-M1615VGS
1700	66.93	LFG2251FT-M1700VGS
1785	70.28	LFG2251FT-M1785VGS
1870	73.62	LFG2251FT-M1870VGS

Other widths available on request.



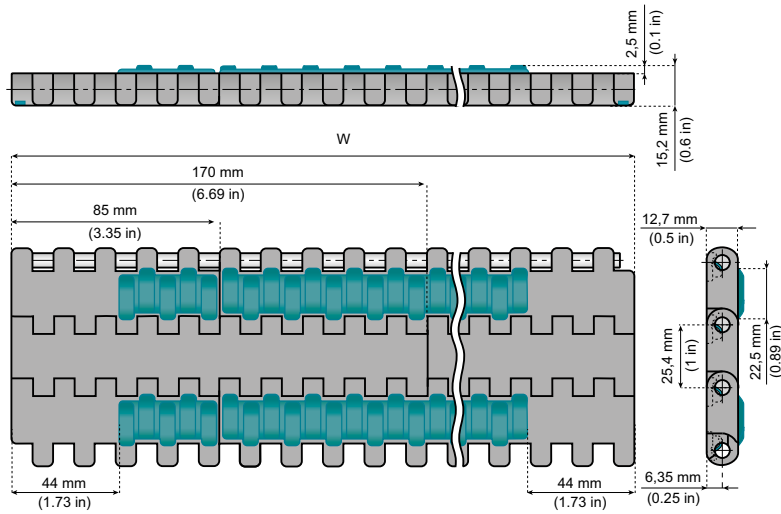
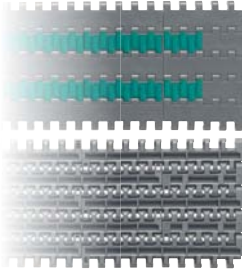
Chains & sprockets	Wear strips	Side guide brackets & accessories	Levelers	Engineering manual
Modular belts & sprockets	Chain & belt return systems	Frame & structure supports	Bearing supports	
Curves & tracks	Side guide solutions	Miscellaneous products	Equipment	

30495b

25,4 mm (1") MODULAR BELTS - THICKNESS: 12,7 mm (½")

RUBBER INSERT EVERY 2ND & 3TH PITCH WITH SIDE INDENT

www.SystemPlastSmartGuide.com



VERSION WITH SIDE INDENT

Belt material: low friction acetal resin, grey colour

Rubber material: thermoplastic rubber, waterblue colour, 70 shore A.

Backflex radius: 30 mm (1.18 in)

Max load capacity: 38000 N/m (2600 lbs/ft.)

Pin material: PBT (white)

Standard length:

width ≤ 340 mm (13.39 in): 3,048 m (10 ft.)

width > 340 mm (13.39 in) ≤ 935 mm (36.81 in): 1,524 m (5 ft.)

width > 935 mm (36.81 in): on request



Standard material

LFG (GREY)

Low friction acetal resin

materials details:



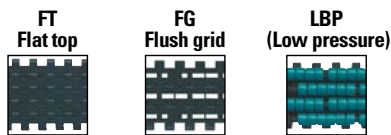
TPR (WATER BLUE)

Thermoplastic rubber

materials details:



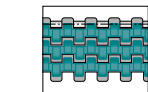
Other versions for 25,4 mm (1") belts:



Notes: Schematic presentation of all VG rubber insert 25,4 mm (1") pitch belts. Thickness: 12,7 mm (½")



Information about this product is only available on our Smart Guide® website.



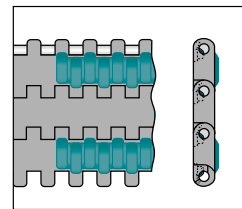
For every insert, go to:



For full rubber surface width. Go to:

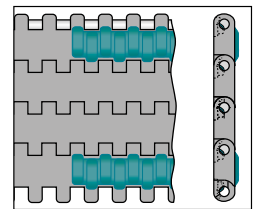


VGS2 2251
Insert every 2nd pitch



Weight:
13,0 Kg/m² (2.65 lbs/ft²)

VGS3 2251
Insert every 3th pitch



Weight:
12,8 Kg/m² (2.61 lbs/ft²)

WIDTH W		ITEM DESCRIPTION	ITEM DESCRIPTION
mm	in		
170	6.69	LFG2251FT-M0170VGS-2	LFG2251FT-M0170VGS-3
255	10.04	LFG2251FT-M0255VGS-2	LFG2251FT-M0255VGS-3
340	13.39	LFG2251FT-M0340VGS-2	LFG2251FT-M0340VGS-3
425	16.73	LFG2251FT-M0425VGS-2	LFG2251FT-M0425VGS-3
510	20.08	LFG2251FT-M0510VGS-2	LFG2251FT-M0510VGS-3
595	23.43	LFG2251FT-M0595VGS-2	LFG2251FT-M0595VGS-3
680	26.77	LFG2251FT-M0680VGS-2	LFG2251FT-M0680VGS-3
765	30.12	LFG2251FT-M0765VGS-2	LFG2251FT-M0765VGS-3
850	33.46	LFG2251FT-M0850VGS-2	LFG2251FT-M0850VGS-3
935	36.81	LFG2251FT-M0935VGS-2	LFG2251FT-M0935VGS-3
1020	40.16	LFG2251FT-M1020VGS-2	LFG2251FT-M1020VGS-3
1105	43.50	LFG2251FT-M1105VGS-2	LFG2251FT-M1105VGS-3
1190	46.85	LFG2251FT-M1190VGS-2	LFG2251FT-M1190VGS-3
1275	50.20	LFG2251FT-M1275VGS-2	LFG2251FT-M1275VGS-3
1360	53.54	LFG2251FT-M1360VGS-2	LFG2251FT-M1360VGS-3
1445	56.89	LFG2251FT-M1445VGS-2	LFG2251FT-M1445VGS-3
1530	60.24	LFG2251FT-M1530VGS-2	LFG2251FT-M1530VGS-3
1615	63.58	LFG2251FT-M1615VGS-2	LFG2251FT-M1615VGS-3
1700	66.93	LFG2251FT-M1700VGS-2	LFG2251FT-M1700VGS-3
1785	70.28	LFG2251FT-M1785VGS-2	LFG2251FT-M1785VGS-3
1870	73.62	LFG2251FT-M1870VGS-2	LFG2251FT-M1870VGS-3

Other widths available on request.

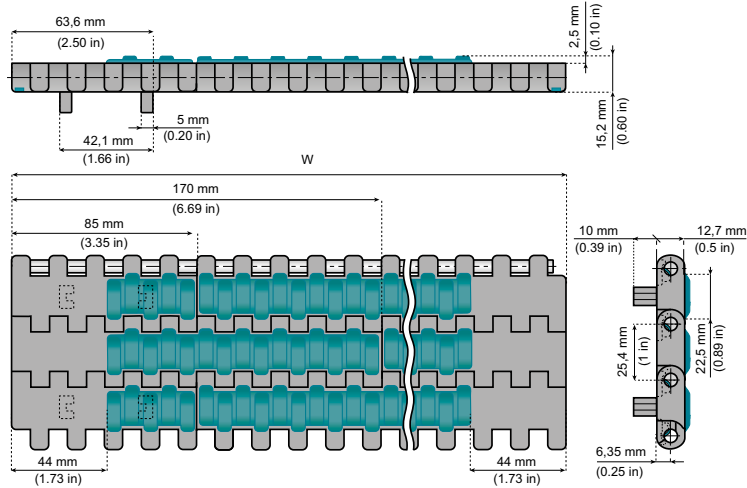
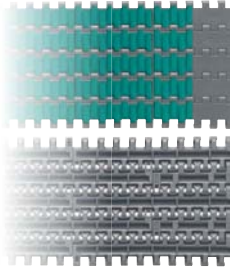
Chains & sprockets	Wear strips	Side guide brackets & accessories	Levelers	Engineering manual
Modular belts & sprockets	Chain & belt return systems	Frame & structure supports	Bearing supports	
Curves & tracks	Side guide solutions	Miscellaneous products	Equipment	

30495d

25,4 mm (1") MODULAR BELTS - THICKNESS: 12,7 mm (½")

www.SystemPlastSmartGuide.com

VERSIONS WITH TWIN POSITIONERS AND SIDE INDENT / RUBBER INSERTS



VERSION WITH SIDE INDENT

Belt material: low friction acetal resin, grey colour

Rubber material: thermoplastic rubber, waterblue colour, 70 shore A.

Backflex radius: 30 mm (1.18 in)

Max load capacity: 38000 N/m (2600 lbs/ft.)

Pin material: PBT (white)

Standard length:

width ≤ 340 mm (13.39 in): 3,048 m (10 ft.)

width > 340 mm (13.39 in) ≤ 935 mm (36.81 in): 1,524 m (5 ft.)

width > 935 mm (36.81 in): on request



30550a

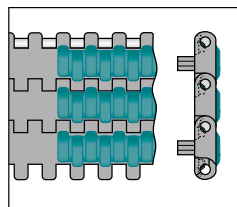
For full rubber surface width. Go to:

30490a



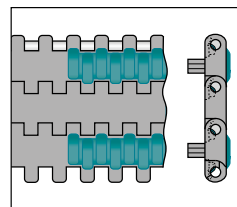
Information about this product is only available on our Smart Guide® website.

VGS 2251 P2 Insert every pitch



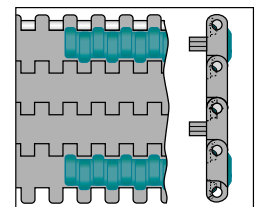
Weight:
13,5 Kg/m² (2.75 lbs/ft²)

VGS2 2251 P2 Insert every 2nd pitch



Weight:
13,0 (2.65 lbs/ft²)

VGS3 2251 P2 Insert every 3th pitch



Weight:
12,8 Kg/m² (2.61 lbs/ft²)

Standard material

LFG (GREY)

Low friction acetal resin

materials details:

73563a

TPR (WATER BLUE)

Thermoplastic rubber

materials details:

73570a

Other versions for 25,4 mm (1") belts:

FT
Flat top

FG
Flush grid

LBP
(Low pressure)

Notes: Schematic presentation of all VG rubber insert 25,4 mm (1") pitch belts. Thickness: 12,7 mm (½")

WIDTH W		ITEM DESCRIPTION	ITEM DESCRIPTION	ITEM DESCRIPTION
mm	in			
170	6.69	-	LFG2251FT-PT-M0170VGS-2	-
255	10.04	LFG2251FT-PT-M0255VGS	LFG2251FT-PT-M0255VGS-2	LFG2251FT-PT-M0255VGS-3
340	13.39	LFG2251FT-PT-M0340VGS	LFG2251FT-PT-M0340VGS-2	LFG2251FT-PT-M0340VGS-3
425	16.73	LFG2251FT-PT-M0425VGS	LFG2251FT-PT-M0425VGS-2	LFG2251FT-PT-M0425VGS-3
510	20.08	LFG2251FT-PT-M0510VGS	LFG2251FT-PT-M0510VGS-2	LFG2251FT-PT-M0510VGS-3
595	23.43	LFG2251FT-PT-M0595VGS	LFG2251FT-PT-M0595VGS-2	LFG2251FT-PT-M0595VGS-3
680	26.77	LFG2251FT-PT-M0680VGS	LFG2251FT-PT-M0680VGS-2	LFG2251FT-PT-M0680VGS-3
765	30.12	LFG2251FT-PT-M0765VGS	LFG2251FT-PT-M0765VGS-2	LFG2251FT-PT-M0765VGS-3
850	33.46	LFG2251FT-PT-M0850VGS	LFG2251FT-PT-M0850VGS-2	LFG2251FT-PT-M0850VGS-3
935	36.81	LFG2251FT-PT-M0935VGS	LFG2251FT-PT-M0935VGS-2	LFG2251FT-PT-M0935VGS-3
1020	40.16	LFG2251FT-PT-M1020VGS	LFG2251FT-PT-M1020VGS-2	LFG2251FT-PT-M1020VGS-3
1105	43.50	LFG2251FT-PT-M1105VGS	LFG2251FT-PT-M1105VGS-2	LFG2251FT-PT-M1105VGS-3
1190	46.85	LFG2251FT-PT-M1190VGS	LFG2251FT-PT-M1190VGS-2	LFG2251FT-PT-M1190VGS-3
1275	50.20	LFG2251FT-PT-M1275VGS	LFG2251FT-PT-M1275VGS-2	LFG2251FT-PT-M1275VGS-3
1360	53.54	LFG2251FT-PT-M1360VGS	LFG2251FT-PT-M1360VGS-2	LFG2251FT-PT-M1360VGS-3
1445	56.89	LFG2251FT-PT-M1445VGS	LFG2251FT-PT-M1445VGS-2	LFG2251FT-PT-M1445VGS-3
1530	60.24	LFG2251FT-PT-M1530VGS	LFG2251FT-PT-M1530VGS-2	LFG2251FT-PT-M1530VGS-3
1615	63.58	LFG2251FT-PT-M1615VGS	LFG2251FT-PT-M1615VGS-2	LFG2251FT-PT-M1615VGS-3
1700	66.93	LFG2251FT-PT-M1700VGS	LFG2251FT-PT-M1700VGS-2	LFG2251FT-PT-M1700VGS-3
1785	70.28	LFG2251FT-PT-M1785VGS	LFG2251FT-PT-M1785VGS-2	LFG2251FT-PT-M1785VGS-3
1870	73.62	LFG2251FT-PT-M1870VGS	LFG2251FT-PT-M1870VGS-2	LFG2251FT-PT-M1870VGS-3

Other widths available on request.

Chains & sprockets	Wear strips	Side guide brackets & accessories	Levelers	Engineering manual
Modular belts & sprockets	Chain & belt return systems	Frame & structure supports	Bearing supports	
Curves & tracks	Side guide solutions	Miscellaneous products	Equipment	

30500a

25,4 mm (1") MODULAR BELTS 2251LBP - THICKNESS: 12,7 mm (½")

www.SystemPlastSmartGuide.com

LOW NOISE ACCUMULATION ROLLERS



LFG



New
NG
evo

NG® evo conveyor components
made from engineered plastic resin

- Longer wearlife than acetal
- Lower friction than acetal
- Good chemical resistance
- High abrasion resistance
- It meets the requirement for materials as stated by EC1935/2004 and FDA CFR21 norms for direct food contact
- Less dust than with acetal chains
- More.....

Backflex radius: 120 mm (4.72 in)

Max load capacity: 34200 N/m (2340 lbs/ft.)

Weight: 28,8 Kg/m² (5.88 lbs/ft².)

Pin material: PBT (white)

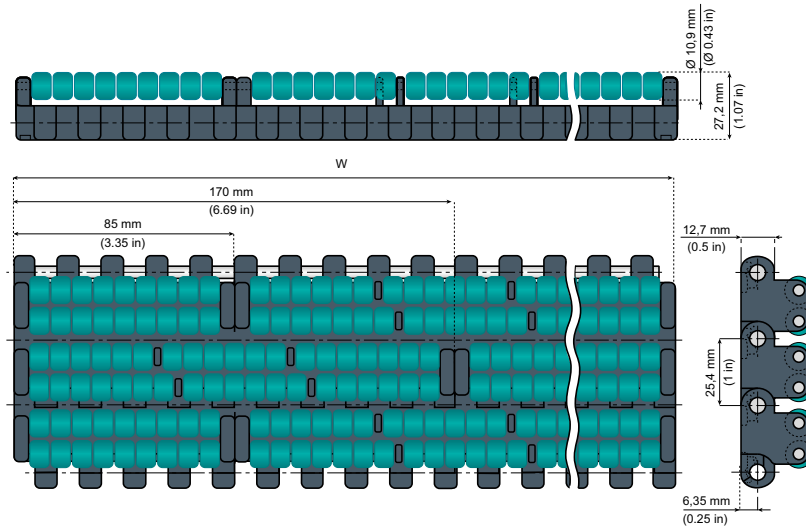
Roller shaft material: Stainless Steel AISI 304

Standard length:

width ≤ 340 mm (13.39 in): 1,524 m (5 ft.)

width > 340 mm (13.39 in) ≤ 935 mm (36.81 in): 0,762 m (0.03 in)

width > 935 mm (36.81 in): on request



ROLLER GUIDE



For roller guides.
Go to:

52510a



Information about
this product is only available
on our Smart Guide® website.



30550a

Standard materials

NGE (GREY BLUE)	LFG (GREY)
New Generation®	Low friction acetal resin

materials details:

73563a



WIDTH W		ITEM DESCRIPTION	
mm	in	NGE (GREY BLUE)	LFG (GREY)
85	3.35	NGE2251LBP-M0085	LFG2251LBP-M0085
170	6.69	NGE2251LBP-M0170	LFG2251LBP-M0170
255	10.04	NGE2251LBP-M0255	LFG2251LBP-M0255
340	13.39	NGE2251LBP-M0340	LFG2251LBP-M0340
425	16.73	NGE2251LBP-M0425	LFG2251LBP-M0425
510	20.08	NGE2251LBP-M0510	LFG2251LBP-M0510
595	23.43	NGE2251LBP-M0595	LFG2251LBP-M0595
680	26.77	NGE2251LBP-M0680	LFG2251LBP-M0680
765	30.12	NGE2251LBP-M0765	LFG2251LBP-M0765
850	33.46	NGE2251LBP-M0850	LFG2251LBP-M0850
935	36.81	NGE2251LBP-M0935	LFG2251LBP-M0935
1020	40.16	NGE2251LBP-M1020	LFG2251LBP-M1020
1105	43.50	NGE2251LBP-M1105	LFG2251LBP-M1105
1190	46.85	NGE2251LBP-M1190	LFG2251LBP-M1190
1275	50.20	NGE2251LBP-M1275	LFG2251LBP-M1275
1360	53.54	NGE2251LBP-M1360	LFG2251LBP-M1360

Wider widths available upon request. LBP belts cannot be cut-to-width.

Other versions
for 25,4 mm (1") belts:

FT
Flat top



FG
Flush grid



VG
Rubber insert



Notes: Schematic presentation of
all LBP low pressure 25,4 mm (1")
pitch belts. Thickness: 12,7 mm (½")



Chains & sprockets	Wear strips	Side guide brackets & accessories	Levelers	Engineering manual
Modular belts & sprockets	Chain & belt return systems	Frame & structure supports	Bearing supports	
Curves & tracks	Side guide solutions	Miscellaneous products	Equipment	

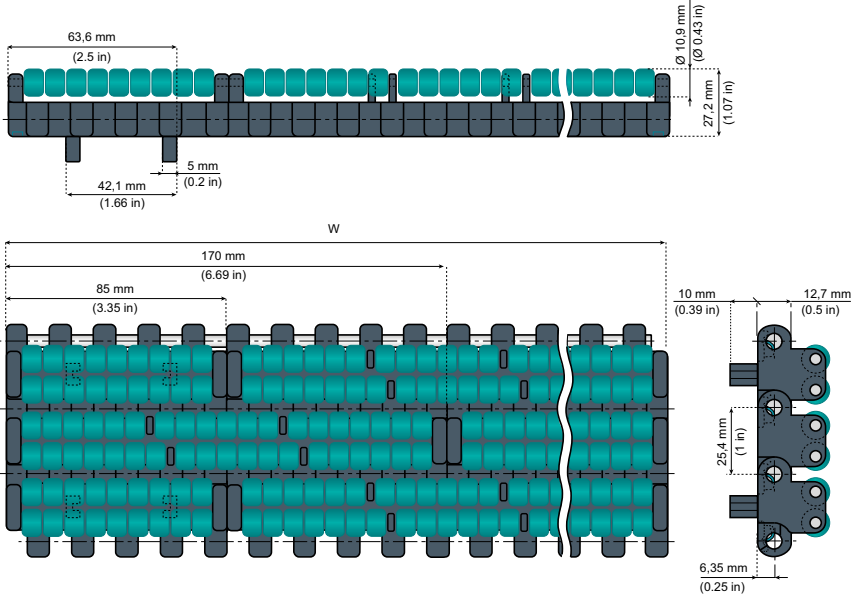
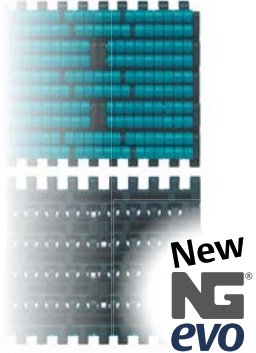
30500b

25,4 mm (1") MODULAR BELTS 2251LBP - THICKNESS: 12,7 mm (1/2")

www.SystemPlastSmartGuide.com

LOW NOISE ACCUMULATION ROLLERS

2251 LBP PT



NG® evo conveyor components
made from engineered plastic resin
 Longer wearlife than acetal
 Lower friction than acetal
 Good chemical resistance
 High abrasion resistance
 It meets the requirement for materials as stated by EC1935/2004 and FDA CFR21 norms for direct food contact
 Less dust than with acetal chains
 More.....

- Backflex radius:** 120 mm (4.72 in)
- Max load capacity:** 34200 N/m (2340 lbs/ft.)
- Weight:** 28,8 Kg/m² (5.88 lbs/ft²)
- Pin material:** PBT (white)
- Roller shaft material:** Stainless Steel AISI 304
- Standard length:**
 - width ≤ 340 mm (13.39 in): 1,524 m (5 ft.)
 - width > 340 mm (13.39 in) ≤ 935 mm (36.81 in): 0,762 m (0.03 in)
 - width > 935 mm (36.81 in): on request

ROLLER GUIDE

For roller guides.
Go to:

52510a

30550a

Other versions for 25,4 mm (1") belts:

FT Flat top	FG Flush grid	VG Rubber insert

Information about this product is only available on our Smart Guide® website.

Notes: Schematic presentation of all LBP low pressure 25,4 mm (1") pitch belts. Thickness: 12,7 mm (1/2")

Standard material

NGE (GREY BLUE)

New Generation®

materials details:

73563a

WIDTH W		ITEM DESCRIPTION
mm	in	
85	3.35	NGE2251LBP-PT-M0085
170	6.69	NGE2251LBP-PT-M0170
255	10.04	NGE2251LBP-PT-M0255
340	13.39	NGE2251LBP-PT-M0340
425	16.73	NGE2251LBP-PT-M0425
510	20.08	NGE2251LBP-PT-M0510
595	23.43	NGE2251LBP-PT-M0595
680	26.77	NGE2251LBP-PT-M0680
765	30.12	NGE2251LBP-PT-M0765
850	33.46	NGE2251LBP-PT-M0850
935	36.81	NGE2251LBP-PT-M0935
1020	40.16	NGE2251LBP-PT-M1020
1105	43.50	NGE2251LBP-PT-M1105
1190	46.85	NGE2251LBP-PT-M1190
1275	50.20	NGE2251LBP-PT-M1275
1360	53.54	NGE2251LBP-PT-M1360

Wider widths available upon request. LBP belts cannot be cut-to-width.

Chains & sprockets	Wear strips	Side guide brackets & accessories	Levelers	Engineering manual
Modular belts & sprockets	Chain & belt return systems	Frame & structure supports	Bearing supports	
Curves & tracks	Side guide solutions	Miscellaneous products	Equipment	

30550a

DRIVE AND RETURN SPROCKETS

FOR BELTS 2251-2252

www.SystemPlastSmartGuide.com



Notes:

- Sprockets with single keyway can be used for belt widths up to 680 mm (27-in) and temperature differences of maximum 30°C (86°F).
- For wider belts or bigger temperature differences, sprockets with square bores or round bore with double keyway have to be used.

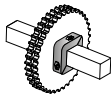
Drive sprockets are manufactured for a tight fit on the shaft. To order single keyway sprockets capable of floating freely on the shaft, just add the letter "P" (=plus) to the existing Item description. For example, **2251-14R30M-DPS**

Features:

- Split versions: quick and easy replacement.
- Foolproof design.
- Excellent wear and chemical resistance.
- Recyclable.



Information about this product is only available on our Smart Guide® website.



Set collars, go to:

54630a



See also the sprockets and idler wheels:

30550b

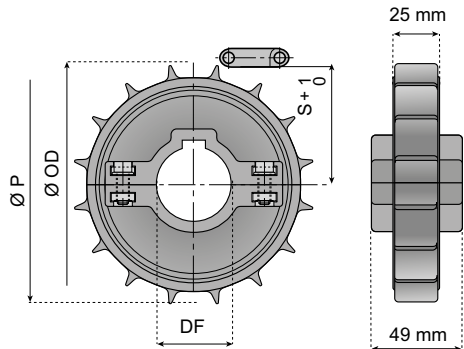


Z	Ø OD mm	Ø P mm	S mm
14	113,68	114,18	50,7
16	130	130,2	58,7
18	146	146,3	66,7
20	162	162,4	74,8



See belts:
1" Pitch (25,4mm)
Thickness=12,7mm.

30410a



MOLDED DRIVE SPROCKETS - SPLIT FIXED

Z	Ø 30	Ø 35	Ø 40	Ø 45
	ITEM DESCRIPTION			
14	2251-14R30M-DS	2251-14R35M-DS	2251-14R40M-DS	-
16	2251-16R30M-DS	2251-16R35M-DS	2251-16R40M-DS	2251-16R45M-DS
18	2251-18R30M-DS	2251-18R35M-DS	2251-18R40M-DS	2251-18R45M-DS
20	2251-20R30M-DS	2251-20R35M-DS	2251-20R40M-DS	2251-20R45M-DS



MOLDED RETURN SPROCKETS - SPLIT

14	2251-14R30M-RS	2251-14R35M-RS	2251-14R40M-RS	-
16	2251-16R30M-RS	2251-16R35M-RS	2251-16R40M-RS	2251-16R45M-RS
18	2251-18R30M-RS	2251-18R35M-RS	2251-18R40M-RS	2251-18R45M-RS
20	2251-20R30M-RS	2251-20R35M-RS	2251-20R40M-RS	2251-20R45M-RS



MOLDED DRIVE SPROCKETS SQUARE BORE - SPLIT FLOATING

Z	∅ 30X30	-	∅ 40X40	-
14	-	-	-	-
16	-	-	2251-16S40M-DS	-
18	-	-	2251-18S40M-DS	-
20	-	-	2251-20S40M-DS	-

Material: reinforced polyamide (black), screws in stainless steel, nuts in nickel plated brass.

Chains & sprockets	Wear strips	Side guide brackets & accessories	Levelers	Engineering manual
Modular belts & sprockets	Chain & belt return systems	Frame & structure supports	Bearing supports	
Curves & tracks	Side guide solutions	Miscellaneous products	Equipment	



30550b

DRIVE AND RETURN SPROCKETS

www.SystemPlastSmartGuide.com

FOR BELTS 2251-2252

Notes:

- Sprockets with single keyway can be used for belt widths up to 680 mm (27-in) and temperature differences of maximum 30°C (86°F).
- For wider belts or bigger temperature differences, sprockets with square bores or round bore with double keyway have to be used.

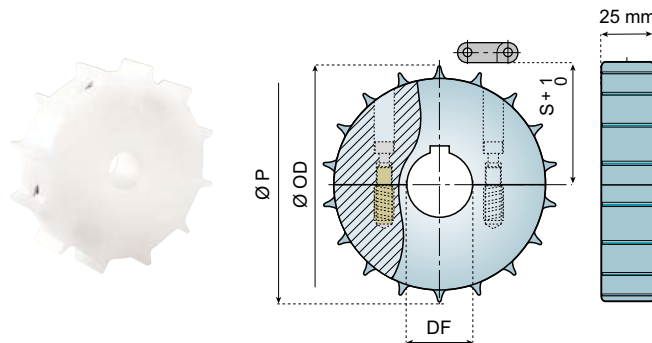
Drive sprockets are manufactured for a tight fit on the shaft. To order single keyway sprockets capable of floating freely on the shaft, just add the letter "P" (=plus) to the existing Item description. For example, **2251-12R25M-DPMS**

New design

30990a

Features:

- Very high strength.
- Split versions: quick and easy replacement.
- Foolproof design.
- Completely closed structure, easy to clean and to disinfect.
- Excellent wear and chemical resistance.
- Recyclable.



Z	Ø OD mm	Ø P mm	S mm
12	97,9	98,14	42,7
13	105,54	106,14	46,7
14	114	114,18	50,7
15	122,16	122,2	54,6
16	130	130,2	58,7
18	146	146,28	66,7
20	162	162,37	74,8
21	171	170,42	78,9

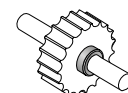
MACHINED DRIVE SPROCKETS - SPLIT FIXED				
Z	Ø 18* (R18M) Ø 23* (R23M)	Ø 25	Ø 30	Ø 40
ITEM DESCRIPTION				
12	-	2251-12R25M-DMS	2251-12R30M-DMS	2251-12R40M-DMS
13	-	2251-13R25M-DMS	2251-13R30M-DMS	2251-13R40M-DMS
14	-	2251-14R25M-DMS	2251-14R30M-DMS	2251-14R40M-DMS
15	-	2251-15R25M-DMS	2251-15R30M-DMS	2251-15R40M-DMS
16	-	2251-16R25M-DMS	2251-16R30M-DMS	2251-16R40M-DMS
18	-	2251-18R25M-DMS	2251-18R30M-DMS	2251-18R40M-DMS
20	-	2251-20R25M-DMS	2251-20R30M-DMS	2251-20R40M-DMS
21	-	2251-21R25M-DMS	2251-21R30M-DMS	2251-21R40M-DMS
MACHINED RETURN SPROCKETS - SPLIT				
12	2251-12R18M-RMS	2251-12R25M-RMS	2251-12R30M-RMS	2251-12R40M-RMS
13	2251-13R23M-RMS	2251-13R25M-RMS	2251-13R30M-RMS	2251-13R40M-RMS
14	2251-14R23M-RMS	2251-14R25M-RMS	2251-14R30M-RMS	2251-14R40M-RMS
15	2251-15R23M-RMS	2251-15R25M-RMS	2251-15R30M-RMS	2251-15R40M-RMS
16	2251-16R23M-RMS	2251-16R25M-RMS	2251-16R30M-RMS	2251-16R40M-RMS
18	2251-18R23M-RMS	2251-18R25M-RMS	2251-18R30M-RMS	2251-18R40M-RMS
20	2251-20R23M-RMS	2251-20R25M-RMS	2251-20R30M-RMS	2251-20R40M-RMS
21	2251-21R23M-RMS	2251-21R25M-RMS	2251-21R30M-RMS	2251-21R40M-RMS

Material: polyamide (natural white), screws in stainless steel, bushings in brass.

*Plain bore

MACHINED DRIVE SPROCKETS SQUARE BORE - SPLIT FLOATING		
Z	Ø 40X40	Ø 60X60
12	-	-
13	2251-13S40M-DMS	-
14	2251-14S40M-DMS	-
16	2251-16S40M-DMS	2251-16S60M-DMS
18	2251-18S40M-DMS	2251-18S60M-DMS
20	2251-20S40M-DMS	2251-20S60M-DMS
21	2251-21S40M-DMS	2251-21S60M-DMS

Material: polyamide (natural white), screws in stainless steel, bushings in brass.



Set collars, go to:

54630a



See belts: 1" Pitch (25,4mm)
Thickness=12,7mm.

30410a



See also the sprockets and idler wheels:

30550a

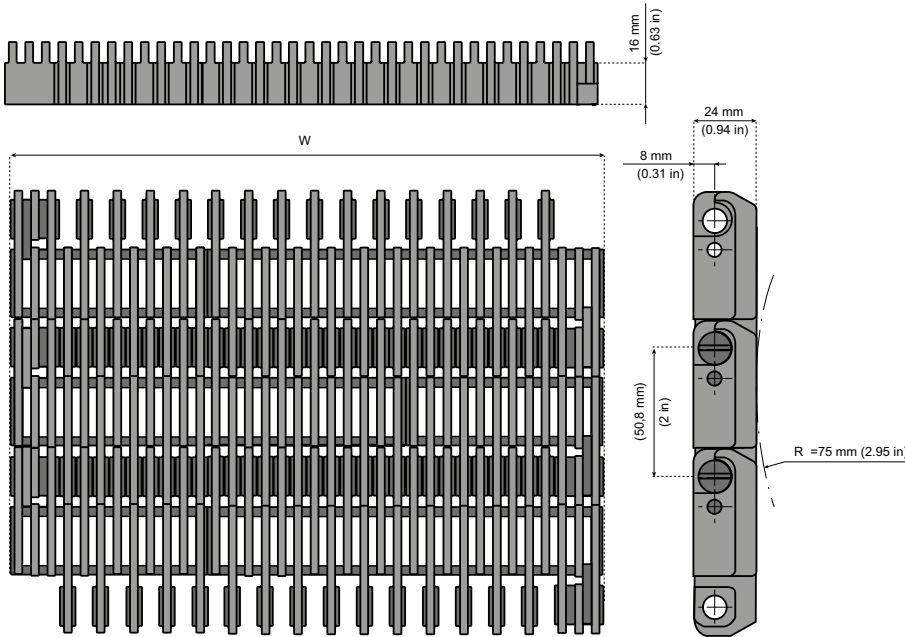
Chains & sprockets	Wear strips	Side guide brackets & accessories	Levelers	Engineering manual
Modular belts & sprockets	Chain & belt return systems	Frame & structure supports	Bearing supports	
Curves & tracks	Side guide solutions	Miscellaneous products	Equipment	

30610a

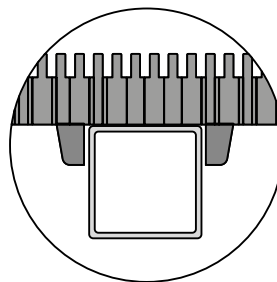
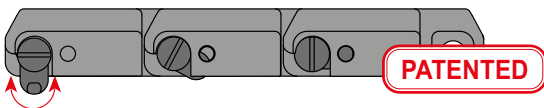
50,8 mm (2") MODULAR BELTS 2500 - THICKNESS: 16 mm (0.63 in)

www.SystemPlastSmartGuide.com

RAISED RIB BELTS



Backflex radius: 75 mm (2.95 in)
Max load capacity: 30000 N/m (2000 lbs/ft.)
Weight: 9,2 Kg/m² (1.88 lbs/ft.²)
Pin material: Polypropylene
Belt Material: Polypropylene (Dark grey)
Open Surface: 27%.
Standard length:
width ≤ 15 in: 3,048 m (10 ft)
width > 15 in: 1,016 m (40 in)



2500RR - Raised Rib modular belts are also available with positioners.
Go to: **72312a**

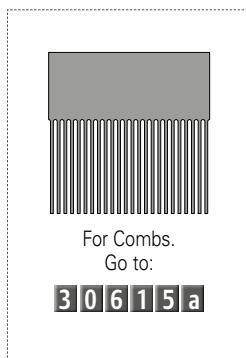
Standard material

PPG (DARK GREY)

Polypropylene

materials details:

73565a



Information about this product is only available on our Smart Guide® website.

WIDTH W		ITEM DESCRIPTION
mm	in	
229	9.00	PPG2500RR-K900
305	12.00	PPG2500RR-K1200
381	15.00	PPG2500RR-K1500
457	18.00	PPG2500RR-K1800
533	21.00	PPG2500RR-K2100
610	24.00	PPG2500RR-K2400
686	27.00	PPG2500RR-K2700
762	30.00	PPG2500RR-K3000
838	33.00	PPG2500RR-K3300
914	36.00	PPG2500RR-K3600
991	39.00	PPG2500RR-K3900
1067	42.00	PPG2500RR-K4200
1143	45.00	PPG2500RR-K4500
1219	48.00	PPG2500RR-K4800
1295	51.00	PPG2500RR-K5100
1372	54.00	PPG2500RR-K5400
1448	57.00	PPG2500RR-K5700
1524	60.00	PPG2500RR-K6000
1600	63.00	PPG2500RR-K6300
1676	66.00	PPG2500RR-K6600
1753	69.00	PPG2500RR-K6900
1829	72.00	PPG2500RR-K7200
1905	75.00	PPG2500RR-K7500
1981	78.00	PPG2500RR-K7800
2057	81.00	PPG2500RR-K8100
2134	84.00	PPG2500RR-K8400
2210	87.00	PPG2500RR-K8700
2286	90.00	PPG2500RR-K9000
2362	93.00	PPG2500RR-K9300
2438	96.00	PPG2500RR-K9600
2515	99.00	PPG2500RR-K9900
2591	102.00	PPG2500RR-K10200
2667	105.00	PPG2500RR-K10500
2743	108.00	PPG2500RR-K10800
2819	111.00	PPG2500RR-K11100
2896	114.00	PPG2500RR-K11400
2972	117.00	PPG2500RR-K11700
3048	120.00	PPG2500RR-K12000
3124	123.00	PPG2500RR-K12300
3200	126.00	PPG2500RR-K12600
3277	129.00	PPG2500RR-K12900
3353	132.00	PPG2500RR-K13200
3429	135.00	PPG2500RR-K13500
3505	138.00	PPG2500RR-K13800
3581	141.00	PPG2500RR-K14100
3658	144.00	PPG2500RR-K14400
3734	147.00	PPG2500RR-K14700
3810	150.00	PPG2500RR-K15000

Other widths available on request.



Chains & sprockets	Wear strips	Side guide brackets & accessories	Levelers	Engineering manual
Modular belts & sprockets	Chain & belt return systems	Frame & structure supports	Bearing supports	
Curves & tracks	Side guide solutions	Miscellaneous products	Equipment	

3 0 6 1 5 a

COMBS FOR 2500 RR RAISED RIB BELT 2"

www.SystemPlastSmartGuide.com

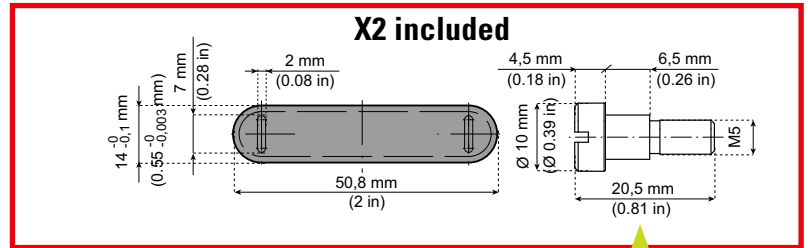
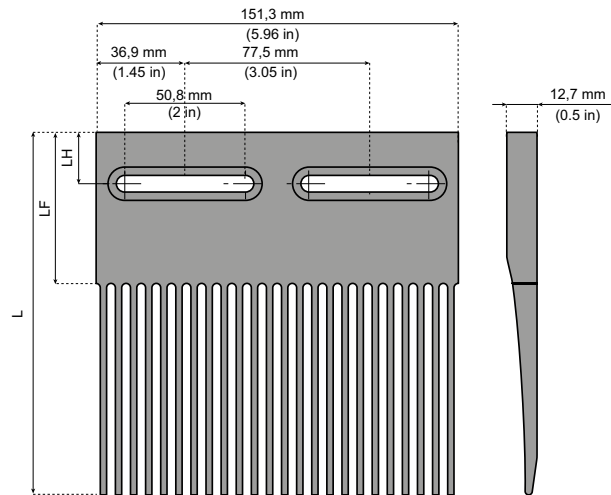


ITEM DESCRIPTION	L		LF		LH	
	mm	in	mm	in	mm	in
LFG-COMB2500-M152	152,4	6	63,5	2.5	21,6	0.85
LFG-COMB2500-M190	190,5	7.5	101,3	3.99	38,1	1.5
PAB-COMB2500-M165	165,1	6.5	130,8	5.15	38,1	1.5

Material: LFG - Acetal, Grey.
PAB - Reinforced polyamide, black

Note:

- Use shouldered screws (included) for fixing the comb to the conveyor construction.
- Two caps are supplied with each comb to cover the long holes.

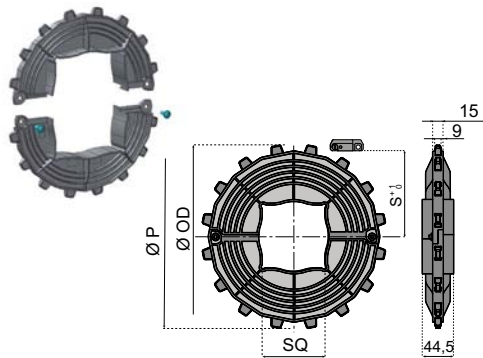


Material: stainless steel.

Shoulder screws are designed to fix the combs to the conveyor construction, but still allow for horizontal movement of the combs. This is required to follow expansion and contraction of the belt. Please consult Technical Support for optimum positioning of the screws.

SHOULDER SCREWS
ITEM DESCRIPTION
SCREW21M5-SS

DRIVE SPROCKETS FOR BELT 2500RR

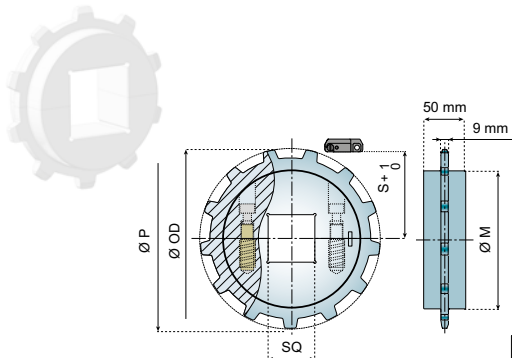


Features:

- Split versions: quick and easy replacement.
- Excellent wear and chemical resistance.
- Recyclable.

Z	∅ 65X65	∅ 90X90	∅ 120X120	Z	Ø OD mm	Ø P mm	S mm
	ITEM DESCRIPTION						
13	-	2500-13S90M-DS	-	13	213,6	212,3	98
16	2500-16S65M-DS	2500-16S90M-DS	2500-16S120M-DS	16	263,7	260,4	122,3

Material: acetal.



New design
3 0 9 9 0 a

Features:

- Very high strength.
- Split versions: quick and easy replacement.
- Foolproof design.
- Completely closed structure, easy to clean and to disinfect.
- Excellent wear and chemical resistance.
- Recyclable.



See belts 2500:
3 0 6 1 0 a



Information about this product is only available on our Smart Guide® website.



See also the sprockets and idler wheels:

3 0 6 1 5 b

Z	Ø P mm	Ø OD mm	Ø M mm	S mm
10	164,4	165	125	74,2
12	196,3	198	148	90,1
13	212,3	215	164	98,1
14	228,3	231	168	106,1
15	244,3	248	185	114,1

Z	∅ 40X40	∅ 60X60	∅ 65X65	∅ 90X90
	ITEM DESCRIPTION			
10	-	2500-10S60M-DMS	2500-10S65M-DMS	-
12	2500-12S40M-DMS	2500-12S60M-DMS	2500-12S65M-DMS	2500-12S90M-DMS
13	-	2500-13S60M-DMS	2500-13S65M-DMS	2500-13S90M-DMS
14	-	2500-14S60M-DMS	2500-14S65M-DMS	2500-14S90M-DMS
15	-	2500-15S60M-DMS	2500-15S65M-DMS	-

Material: polyamide (natural white), screws in stainless steel, bushings in brass.

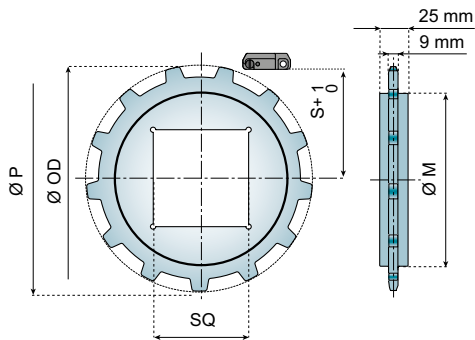
Chains & sprockets	Wear strips	Side guide brackets & accessories	Levelers	Engineering manual
Modular belts & sprockets	Chain & belt return systems	Frame & structure supports	Bearing supports	
Curves & tracks	Side guide solutions	Miscellaneous products	Equipment	

3 0 6 1 5 b

DRIVE AND RETURN SPROCKETS

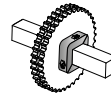
FOR BELT 2500RR

www.SystemPlastSmartGuide.com



Features:

- Completely closed structure, easy to clean and to disinfect.
- Excellent wear and chemical resistance.
- Recyclable.

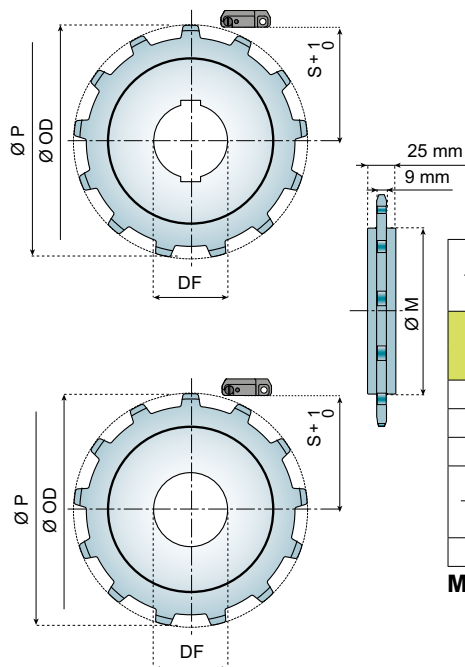


Set collars, go to:

5 4 6 3 0 a

MACHINED DRIVE SPROCKETS SQUARE BORE - ONE PIECE FLOATING	
Z	∅ 40X40
ITEM DESCRIPTION	
10	2500-10S40M-DM

Material: polyamide (natural white).



Z	Ø P mm	Ø OD mm	Ø M mm	S mm
10	164,4	165	103	74,2
13	212,3	215	152	98,1
16	260,4	264	185	122,3



See also the sprockets and idler wheels:

3 0 6 1 5 a



See belts 2500:

3 0 6 1 0 a

MACHINED DRIVE SPROCKETS - ONE PIECE DOUBLE KEYWAY - FLOATING			
Z	∅ 40	∅ 65	∅ 90
ITEM DESCRIPTION			
10	-	2500-10R65M-DPM-K2	-
13	-	2500-13R65M-DPM-K2	2500-13R90M-DPM-K2
16	-	2500-16R65M-DPM-K2	2500-16R90M-DPM-K2
MACHINED RETURN SPROCKETS - ONE PIECE			
10	2500-10R40M-RM	-	-

Material: polyamide (natural white).

Chains & sprockets	Wear strips	Side guide brackets & accessories	Levelers	Engineering manual
Modular belts & sprockets	Chain & belt return systems	Frame & structure supports	Bearing supports	
Curves & tracks	Side guide solutions	Miscellaneous products	Equipment	

30617a

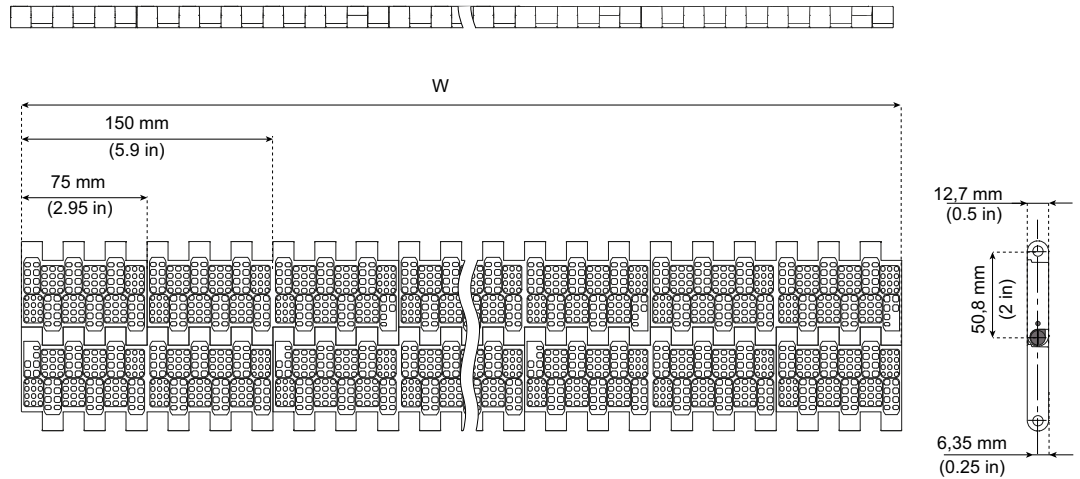
50,8 mm (2") MODULAR BELTS 2502 - THICKNESS: 12,7 mm (½ in)

www.SystemPlastSmartGuide.com

DRAINING TOP - FILTERING BELT



New



Backflex radius: 10 mm (0.39 in)

Max load capacity: 3000 N/m (2207 lbs/ft.)

Weight: 4,9 Kg/m² (1 lbs/ft.²) for 525 mm width

Pin material: PP (brown)

Standard length: 1,524 m (5 ft.)

Open surface: 37%

WIDTH W		ITEM DESCRIPTION
mm	in	
150	5,91	PPW2502DT-M0150
225	8,86	PPW2502DT-M0225
300	11,81	PPW2502DT-M0300
375	14,76	PPW2502DT-M0375
450	17,72	PPW2502DT-M0450
525	20,67	PPW2502DT-M0525
600	23,62	PPW2502DT-M0600
675	26,57	PPW2502DT-M0675
750	29,53	PPW2502DT-M0750
825	32,48	PPW2502DT-M0825
900	35,43	PPW2502DT-M0900
975	38,39	PPW2502DT-M0975
1050	41,34	PPW2502DT-M1050
1125	44,29	PPW2502DT-M1125
1200	47,24	PPW2502DT-M1200
1275	50,20	PPW2502DT-M1275
1350	53,15	PPW2502DT-M1350
1425	56,10	PPW2502DT-M1425
1500	59,06	PPW2502DT-M1500

Other widths available on request.



Information about this product is only available on our Smart Guide® website.

Standard material

PPW (WHITE)

Polypropylene

materials details:



Chains & sprockets	Wear strips	Side guide brackets & accessories	Levelers	Engineering manual
Modular belts & sprockets	Chain & belt return systems	Frame & structure supports	Bearing supports	
Curves & tracks	Side guide solutions	Miscellaneous products	Equipment	

3 0 6 1 8 a

DRIVE SPROCKETS

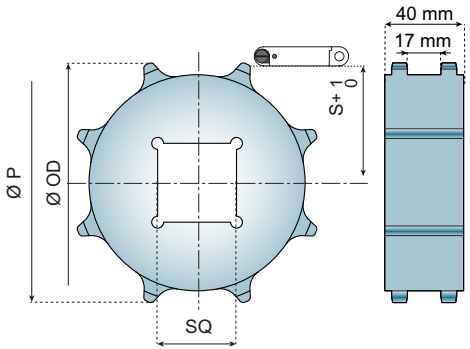
www.SystemPlastSmartGuide.com

FOR BELT 2502DT

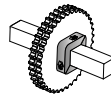


Features:

- Completely closed structure, easy to clean and to disinfect.
- Excellent wear and chemical resistance.
- Recyclable.



MACHINED DRIVE SPROCKETS SQUARE BORE - ONE PIECE FLOATING			
Z	∅ 40X40	∅ 60X60	∅ 90X90
ITEM DESCRIPTION			
8	2502-8S40M-DM	-	-
10	2502-10S40M-DM	2502-10S60M-DM	-
12	-	2502-12S60M-DM	2502-12S90M-DM



Set collars, go to:

5 4 6 3 0 a



See belts 2502DT:

3 0 6 1 7 a

Material: polyamide (natural white).

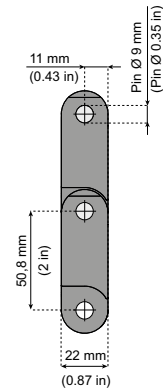
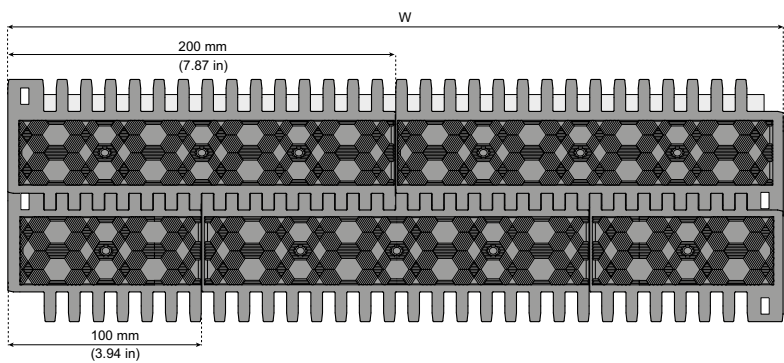
Chains & sprockets	Wear strips	Side guide brackets & accessories	Levelers	Engineering manual
Modular belts & sprockets	Chain & belt return systems	Frame & structure supports	Bearing supports	
Curves & tracks	Side guide solutions	Miscellaneous products	Equipment	

30620a

50,8 mm (2") MODULAR BELTS 2508 - THICKNESS: 22 mm (0.87 in)

www.SystemPlastSmartGuide.com

FLAT TOP WITH ANTI-SLIP SURFACE



PATENTED

30640a

VERSION STANDARD (LFG MATERIAL)

Strength and weight data for other materials available on request.

Backflex radius: 55 mm (2.17 in)

Max load capacity: 80 kN/m (5440 lbs)

Weight: 22,5 kg/m² (4.59 lbs/ft².)

Standard length:

width ≤ 800 mm (31.5 in): 20 pitches (1,016 m)

width > 800 mm (31.5 in): 15 pitches (0,762 m)

Pin material: PBT (white).

Steel pins optionally available.



Information about this product is only available on our Smart Guide® website.

Standard material

LFG (GREY)

Low friction acetal resin

materials details:

73563a

Also available into

PPLG (LIGHT GREY)

Polypropylene

POM-AS (BLACK)

Anti-static acetal

PP-FR-EC (BLACK)

Flame retardant electrically conductive polypropylene

materials details:

72336a

WIDTH W		ITEM DESCRIPTION
mm	in	
300	11.81	LFG2508FTS-M0300
400	15.75	LFG2508FTS-M0400
500	19.69	LFG2508FTS-M0500
600	23.62	LFG2508FTS-M0600
700	27.56	LFG2508FTS-M0700
800	31.50	LFG2508FTS-M0800
900	35.43	LFG2508FTS-M0900
1000	39.37	LFG2508FTS-M1000
1100	43.31	LFG2508FTS-M1100
1200	47.24	LFG2508FTS-M1200
1300	51.18	LFG2508FTS-M1300
1400	55.12	LFG2508FTS-M1400
1500	59.06	LFG2508FTS-M1500
1600	62.99	LFG2508FTS-M1600
1700	66.93	LFG2508FTS-M1700
1800	70.87	LFG2508FTS-M1800
1900	74.80	LFG2508FTS-M1900
2000	78.74	LFG2508FTS-M2000
2100	82.68	LFG2508FTS-M2100
2200	86.61	LFG2508FTS-M2200
2300	90.55	LFG2508FTS-M2300
2400	94.49	LFG2508FTS-M2400
2500	98.43	LFG2508FTS-M2500
2600	102.36	LFG2508FTS-M2600
2700	106.30	LFG2508FTS-M2700
2800	110.24	LFG2508FTS-M2800
2900	114.17	LFG2508FTS-M2900
3000	118.11	LFG2508FTS-M3000
3100	122.05	LFG2508FTS-M3100
3200	125.98	LFG2508FTS-M3200
3300	129.92	LFG2508FTS-M3300
3400	133.86	LFG2508FTS-M3400
3500	137.80	LFG2508FTS-M3500
3600	141.73	LFG2508FTS-M3600
3700	145.67	LFG2508FTS-M3700
3800	149.61	LFG2508FTS-M3800
3900	153.54	LFG2508FTS-M3900
4000	157.48	LFG2508FTS-M4000
4100	161.42	LFG2508FTS-M4100
4200	165.35	LFG2508FTS-M4200
4300	169.29	LFG2508FTS-M4300
4400	173.23	LFG2508FTS-M4400
4500	177.17	LFG2508FTS-M4500
4600	181.10	LFG2508FTS-M4600
4700	185.04	LFG2508FTS-M4700
4800	188.98	LFG2508FTS-M4800
4900	192.91	LFG2508FTS-M4900
5000	196.85	LFG2508FTS-M5000

Other widths available on request.

Chains & sprockets	Wear strips	Side guide brackets & accessories	Levelers	Engineering manual
Modular belts & sprockets	Chain & belt return systems	Frame & structure supports	Bearing supports	
Curves & tracks	Side guide solutions	Miscellaneous products	Equipment	



30640a

DRIVE SPROCKETS

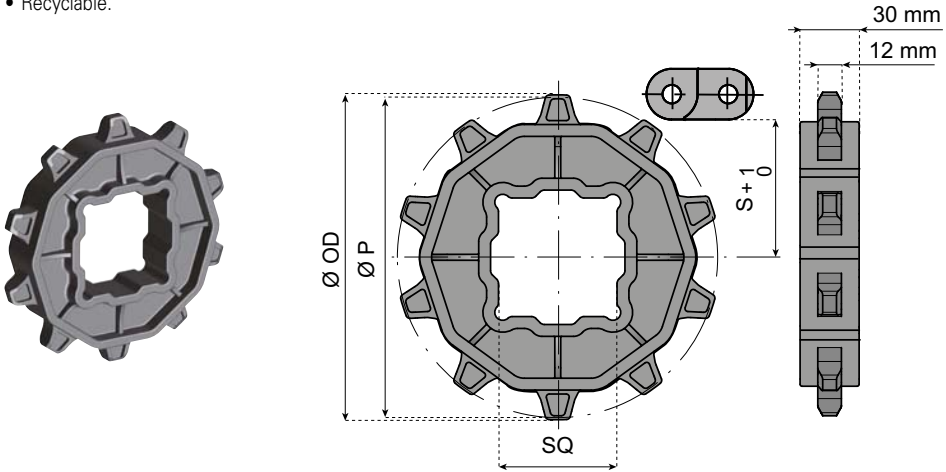
FOR BELT 2508

www.SystemPlastSmartGuide.com

The sprockets for 2508 series have a polygonal shape to provide optimum belt support. This is important for belts that have a large pitch and work with very high loads.

Features:

- Completely closed structure, easy to clean and to disinfect.
- Excellent wear and chemical resistance.
- Recyclable.



MOLDED DRIVE SPROCKETS SQUARE BORE - ONE PIECE FLOATING		
Z	Ø 60X60	Ø 90X90
	ITEM DESCRIPTION	
10	2508-10S60M-D	-
12	2508-12S60M-D	2508-12S90M-D
16	2508-16S60M-D	2508-16S90M-D

Z	Ø OD mm	Ø P mm	S mm
10	160,4	164,39	71,7
12	193,6	196,28	87,6
16	259,4	260,39	119,7

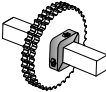


See belts 2508:

30620a

Material: reinforced polyamide (black).

On request we can also provide machined sprockets with a different number of teeth or a different bore size.



Set collars, go to:

54630a

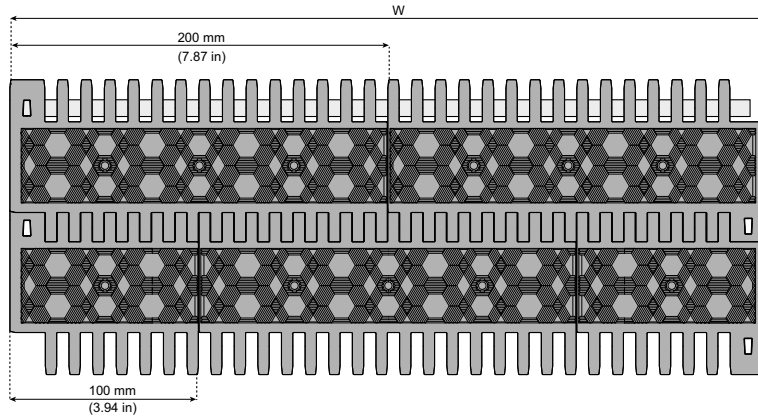
Chains & sprockets	Wear strips	Side guide brackets & accessories	Levelers	Engineering manual
Modular belts & sprockets	Chain & belt return systems	Frame & structure supports	Bearing supports	
Curves & tracks	Side guide solutions	Miscellaneous products	Equipment	

3 0 6 4 5 a

63,5 mm (2 1/2") MODULAR BELTS 2630 - THICKNESS: 30 mm (1.18 in)

www.SystemPlastSmartGuide.com

FLAT TOP WITH ANTI-SLIP SURFACE



PATENTED

3 0 6 5 0 a

VERSION STANDARD (LFG MATERIAL)

Strength and weight data for other materials available on request.

Backflex radius: 60 mm (2.36 in)

Max load capacity: 115 kN/m (7800 lbs)

Weight: 29,5 kg/m² (6.02 lbs/ft².)

Standard length:

width ≤ 800 mm (31.5 in): 16 pitches (1,016 m)

width > 800 mm (31.5 in): 12 pitches (0,762 m)

Pin material: PBT (white).

Steel pins optionally available.



Information about this product is only available on our Smart Guide® website.

Standard material

LFG (GREY)

Low friction acetal resin

materials details:

7 3 5 6 3 a

Also available into

PPLG (LIGHT GREY)

Polypropylene

POM-AS (BLACK)

Anti-static acetal

PP-FR-EC (BLACK)

Flame retardant electrically conductive polypropylene

materials details:

7 2 3 3 6 a

WIDTH W		ITEM DESCRIPTION
mm	in	
100	3.94	LFG2630FTS-M0100
300	11.81	LFG2630FTS-M0300
400	15.75	LFG2630FTS-M0400
500	19.69	LFG2630FTS-M0500
600	23.62	LFG2630FTS-M0600
700	27.56	LFG2630FTS-M0700
800	31.50	LFG2630FTS-M0800
900	35.43	LFG2630FTS-M0900
1000	39.37	LFG2630FTS-M1000
1100	43.31	LFG2630FTS-M1100
1200	47.24	LFG2630FTS-M1200
1300	51.18	LFG2630FTS-M1300
1400	55.12	LFG2630FTS-M1400
1500	59.06	LFG2630FTS-M1500
1600	62.99	LFG2630FTS-M1600
1700	66.93	LFG2630FTS-M1700
1800	70.87	LFG2630FTS-M1800
1900	74.80	LFG2630FTS-M1900
2000	78.74	LFG2630FTS-M2000
2100	82.68	LFG2630FTS-M2100
2200	86.61	LFG2630FTS-M2200
2300	90.55	LFG2630FTS-M2300
2400	94.49	LFG2630FTS-M2400
2500	98.43	LFG2630FTS-M2500
2600	102.36	LFG2630FTS-M2600
2700	106.30	LFG2630FTS-M2700
2800	110.24	LFG2630FTS-M2800
2900	114.17	LFG2630FTS-M2900
3000	118.11	LFG2630FTS-M3000
3100	122.05	LFG2630FTS-M3100
3200	125.98	LFG2630FTS-M3200
3300	129.92	LFG2630FTS-M3300
3400	133.86	LFG2630FTS-M3400
3500	137.80	LFG2630FTS-M3500
3600	141.73	LFG2630FTS-M3600
3700	145.67	LFG2630FTS-M3700
3800	149.61	LFG2630FTS-M3800
3900	153.54	LFG2630FTS-M3900
4000	157.48	LFG2630FTS-M4000
4100	161.42	LFG2630FTS-M4100
4200	165.35	LFG2630FTS-M4200
4300	169.29	LFG2630FTS-M4300
4400	173.23	LFG2630FTS-M4400
4500	177.17	LFG2630FTS-M4500
4600	181.10	LFG2630FTS-M4600
4700	185.04	LFG2630FTS-M4700
4800	188.98	LFG2630FTS-M4800
4900	192.91	LFG2630FTS-M4900
5000	196.85	LFG2630FTS-M5000

Other widths available on request.

Chains & sprockets	Wear strips	Side guide brackets & accessories	Levelers	Engineering manual
Modular belts & sprockets	Chain & belt return systems	Frame & structure supports	Bearing supports	
Curves & tracks	Side guide solutions	Miscellaneous products	Equipment	

30650a

DRIVE SPROCKETS

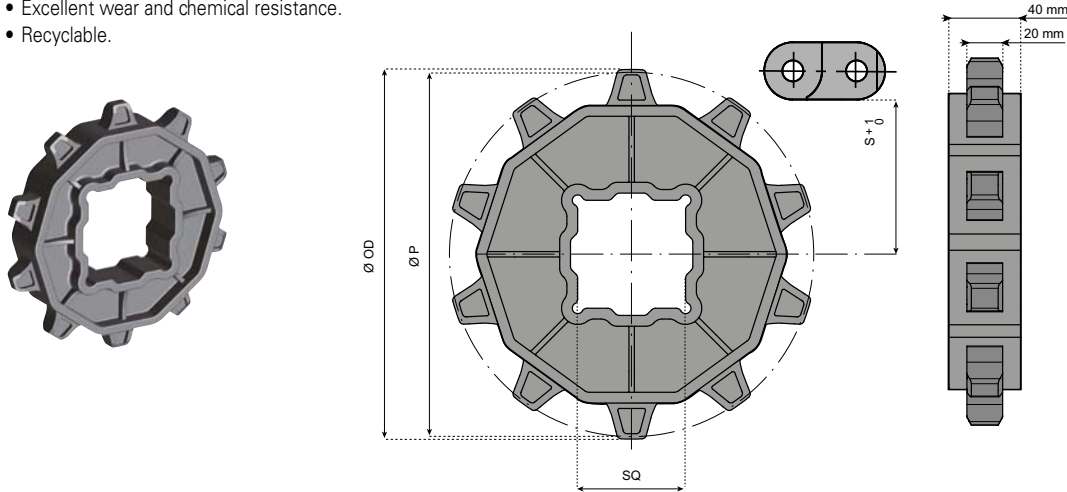
www.SystemPlastSmartGuide.com

FOR BELT 2630

The sprockets for 2630 series have a polygonal shape to provide optimum belt support. This is important for belts that have a large pitch and work with very high loads.

Features:

- Completely closed structure, easy to clean and to disinfect.
- Excellent wear and chemical resistance.
- Recyclable.



On request we can also provide machined sprockets with a different number of teeth or a different bore size.

MOLDED DRIVE SPROCKETS SQUARE BORE - ONE PIECE FLOATING		
Z	Ø 60X60	Ø 90X90
ITEM DESCRIPTION		
10	2630-10S60M-D	-
13	2630-13S60M-D	2630-13S90M-D
15	2630-15S60M-D	2630-15S90M-D

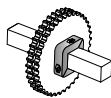
Z	Ø OD mm	Ø P mm	S mm
10	203,4	205,49	88,2
13	265,3	265,34	118,2
15	306,7	305,42	138,2

Material: reinforced polyamide (black).



See belts 2630:

30645a



Set collars, go to:

54630a

Chains & sprockets	Wear strips	Side guide brackets & accessories	Levelers	Engineering manual
Modular belts & sprockets	Chain & belt return systems	Frame & structure supports	Bearing supports	
Curves & tracks	Side guide solutions	Miscellaneous products	Equipment	

30700a

www.SystemPlastSmartGuide.com

25,4 mm (1") CHAINBELT FOR MAGNETIC CURVES

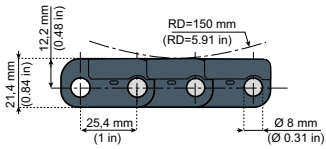
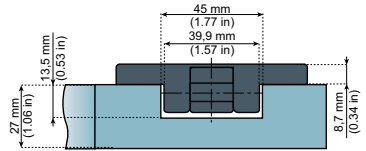


2260 M FT

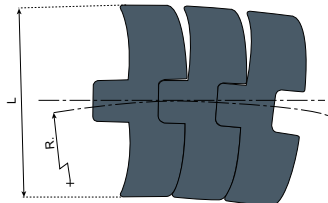
LFG

New NG evo

NG® evo conveyor components made from engineered plastic resin
 Longer wearlife than acetal
 Lower friction than acetal
 Good chemical resistance
 High abrasion resistance
 It meets the requirement for materials as stated by EC1935/2004 and FDA CFR21 norms for direct food contact
 Less dust than with acetal chains
 More.....



Applications:
 The chainbelt magnetic system with closed top plates is best suited for conveying glass and pet containers (for example PET bottles with petaloid base).



TRAVEL

2260M FT - 2260M FG
 page code: **50091a**

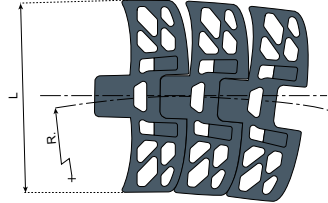
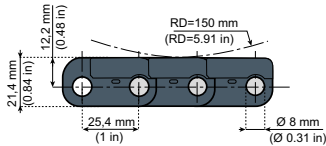
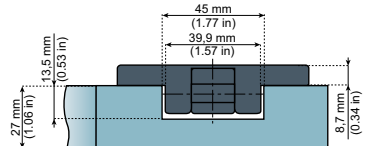


2260 M FG

LFG

New

Applications:
 Flush grid chainbelt for magnetic system with 20% open area is ideal for can conveying applications.



TRAVEL

2251M FT
 page code: **50101a**



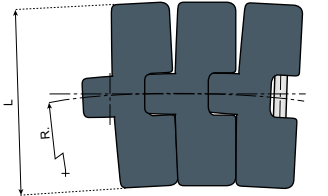
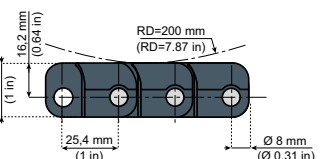
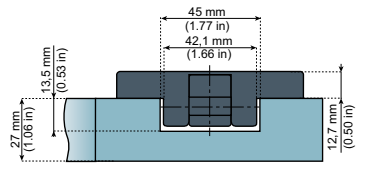
2251 M FT

LFG

New NG evo

“NOLU-S” CURVES ARE STRONGLY RECOMMENDED WITH THESE CHAINS!

Pin Material: Martensitic Stainless Steel



TRAVEL

Information about this product is only available on our Smart Guide® website.

Standard materials

NGE (GREY BLUE)

New Generation®

LFG (GREY)

Low friction acetal resin

materials details:

73563a

ITEM DESCRIPTION	MATERIAL	WIDTH L		R MIN.	WEIGHT	
		mm	in		Kg/m	lbs/ft.
LFG2260FT-M-K330	LFG Grey	83,8	3.3	500	1,7	1.14
NGE2260FT-M-K330	NGE Grey Blue	83,8	3.3	500	1,7	1.14
New LFG2260FG-M-K330	LFG Grey	83,8	3.3	500	1,6	1.07
New NGE2260FG-M-K330	NGE Grey Blue	83,8	3.3	500	1,6	1.07
LFG2251FT-M-K330	LFG Grey	83,8	3.3	500	1,9	1.27
NGE2251FT-M-K330	NGE Grey Blue	83,8	3.3	500	1,9	1.27
LFG2251FT-M-K450	LFG Grey	114,3	4.5	500	2,2	1.48
NGE2251FT-M-K450	NGE Grey Blue	114,3	4.5	500	2,2	1.48

Standard length: 120 pitches (3,048 m - 10 ft.) **Max load capacity:** (LFG-FT): 2000N (450lbs) - (LFG-FG): 1900N (425lbs)

Other widths available on request.

Chains & sprockets	Wear strips	Side guide brackets & accessories	Levelers	Engineering manual
Modular belts & sprockets	Chain & belt return systems	Frame & structure supports	Bearing supports	
Curves & tracks	Side guide solutions	Miscellaneous products	Equipment	

30710a

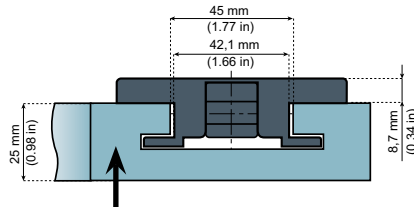
25,4 mm (1") CHAINBELT

VERSIONS WITH TABS

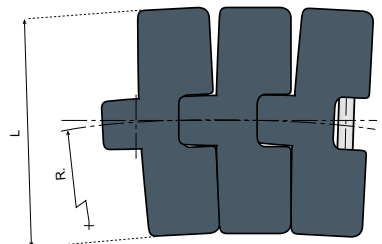
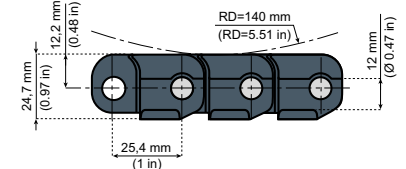
www.SystemPlastSmartGuide.com



2250 TAB FT



STANDARD TRACKS FOR TAB SYSTEM



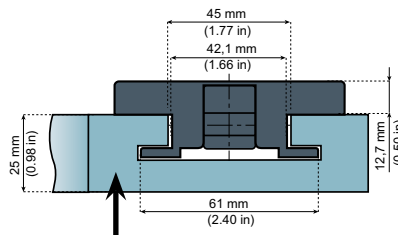
Applications:

The chainbelt magnetic system with closed top plates is best suited for conveying glass and PET containers (for example PET bottles with petaloid base).

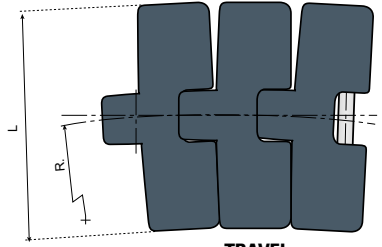
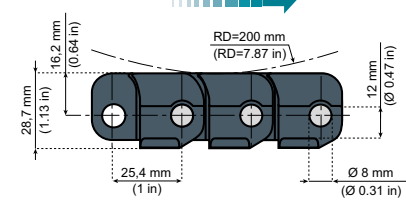
Pin material: Austenic Steel

"NOLU-S" CURVES ARE STRONGLY RECOMMENDED WITH THESE CHAINS!

2251 TAB FT



STANDARD TRACKS FOR TAB SYSTEM



NG® evo conveyor components made from engineered plastic resin

- Longer wearlife than acetal
- Lower friction than acetal
- Good chemical resistance
- High abrasion resistance
- It meets the requirement for materials as stated by EC1935/2004 and FDA CFR21 norms for direct food contact
- Less dust than with acetal chains
- More.....

30715a

Applications:

The chainbelt with closed top plates is best suited for conveying glass and PET containers (for example PET bottles with petaloid base).

Pin Material: Martensitic Stainless Steel

2250FT TAB-2251FT TAB
page code:
50110a



Information about this product is only available on our Smart Guide® website.

Standard materials

NGE (GREY BLUE)

New Generation®

LFG (GREY)

Low friction acetal resin

materials details:

73563a

ITEM DESCRIPTION	MATERIAL	WIDTH L		R MIN.	WEIGHT	
		mm	in		Kg/m	lbs/ft.
LFG2250FT-TAB-K330	LFG Grey	83,8	3.3	500	1,75	1.17
NGE2250FT-TAB-K330	NGE Grey Blue	83,8	3.3	500	1,75	1.17
LFG2250FT-TAB-K450	LFG Grey	114,3	4.5	500	2,04	1.37
NGE2250FT-TAB-K450	NGE Grey Blue	114,3	4.5	500	2,04	1.37
LFG2251FT-TAB-K330	LFG Grey	83,8	3.3	500	1,75	1.17
NGE2251FT-TAB-K330	NGE Grey Blue	83,8	3.3	500	1,75	1.17
LFG2251FT-TAB-K450	LFG Grey	114,3	4.5	500	2,19	1.47
NGE2251FT-TAB-K450	NGE Grey Blue	114,3	4.5	500	2,19	1.47

Standard length: 120 pitches (3,048 m - 10 ft.)

Max load capacity: (LFG-FT): 2000N (450lbs) - (LFG-FG): 1900N (425lbs)

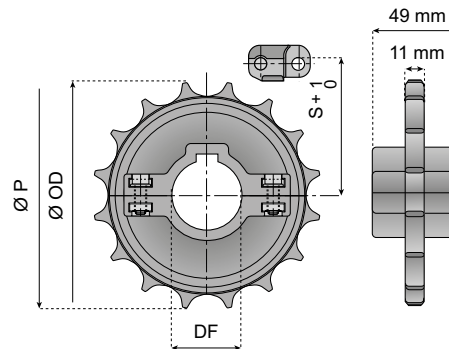
Chains & sprockets	Wear strips	Side guide brackets & accessories	Levelers	Engineering manual
Modular belts & sprockets	Chain & belt return systems	Frame & structure supports	Bearing supports	
Curves & tracks	Side guide solutions	Miscellaneous products	Equipment	



3 0 7 1 5 a

DRIVE AND RETURN SPROCKETS

FOR CHAINBELTS 1" PITCH (25,4 mm)
2250 TAB FT - 2251 M FT - 2251 TAB FT - 2260 M FT - 2260 M FG



Features:

- Split versions: quick and easy replacement.
- Foolproof design.
- Excellent wear and chemical resistance.
- Recyclable.

MOLDED DRIVE SPROCKETS - SPLIT FIXED			
Z	Ø 30	Ø 35	Ø 40
	ITEM DESCRIPTION		
16	2260-16R30M-DS	2260-16R35M-DS	2260-16R40M-DS
18	2260-18R30M-DS	2260-18R35M-DS	2260-18R40M-DS
19	2260-19R30M-DS	2260-19R35M-DS	2260-19R40M-DS

MOLDED RETURN SPROCKETS - SPLIT			
Z	Ø 30	Ø 35	Ø 40
16	2260-16R30M-RS	2260-16R35M-RS	2260-16R40M-RS
18	2260-18R30M-RS	2260-18R35M-RS	2260-18R40M-RS
19	2260-19R30M-RS	2260-19R35M-RS	2260-19R40M-RS

Z	Ø OD mm	Ø P mm	Ø M mm	S mm
16	130,9	130,2	90	67,8
18	146,8	146,3	110	75,7
19	156,3	154,3	110	80,5

Material: reinforced polyamide (black), screws in stainless steel, nuts in nickel plated brass.

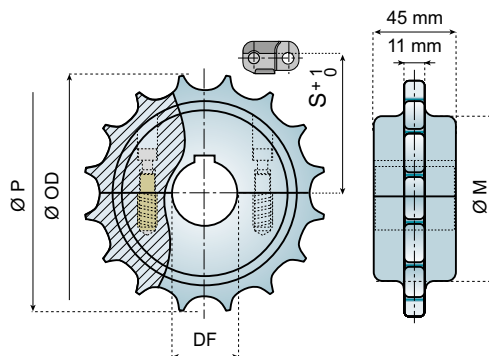


New design

3 0 9 9 0 a

Features:

- Very high strength.
- Split versions: quick and easy replacement.
- Foolproof design.
- Completely closed structure, easy to clean and to disinfect.
- Excellent wear and chemical resistance.
- Recyclable.



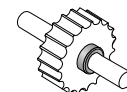
MACHINED DRIVE SPROCKETS - SPLIT FIXED					
Z	Ø 23*	Ø 25	Ø 30	Ø 35	Ø 40
	ITEM DESCRIPTION				
16	-	2260-16R25M-DMS	2260-16R30M-DMS	2260-16R35M-DMS	2260-16R40M-DMS
18	-	2260-18R25M-DMS	2260-18R30M-DMS	2260-18R35M-DMS	2260-18R40M-DMS
19	-	2260-19R25M-DMS	2260-19R30M-DMS	2260-19R35M-DMS	2260-19R40M-DMS

MACHINED RETURN SPROCKETS - SPLIT					
Z	Ø 23*	Ø 25	Ø 30	Ø 35	Ø 40
16	2260-16R23M-RMS	2260-16R25M-RMS	2260-16R30M-RMS	2260-16R35M-RMS	2260-16R40M-RMS
18	2260-18R23M-RMS	2260-18R25M-RMS	2260-18R30M-RMS	2260-18R35M-RMS	2260-18R40M-RMS
19	2260-19R23M-RMS	2260-19R25M-RMS	2260-19R30M-RMS	2260-19R35M-RMS	2260-19R40M-RMS

Material: polyamide (natural white), screws in stainless steel, bushings in brass. *Plain bore



Information about this product is only available on our Smart Guide® website.



Set collars, go to:
5 4 6 3 0 a



See also the sprockets and idler wheels:

3 0 7 1 5 b



See belts with 8,7mm thickness:

3 0 3 0 0 a

See belts with 12,7mm thickness:

3 0 4 1 0 a

Chains & sprockets	Wear strips	Side guide brackets & accessories	Levelers	Engineering manual
Modular belts & sprockets	Chain & belt return systems	Frame & structure supports	Bearing supports	
Curves & tracks	Side guide solutions	Miscellaneous products	Equipment	

30715b

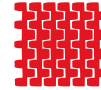
www.SystemPlastSmartGuide.com

DRIVE SPROCKETS

FOR CHAINBELTS 1" PITCH (25,4 mm)
2250 TAB FT - 2251 M FT - 2251 TAB FT - 2260 M FT - 2260 M FG

Features:

- Split versions: quick and easy replacement.
- Foolproof design.
- Excellent wear and chemical resistance.
- Recyclable.

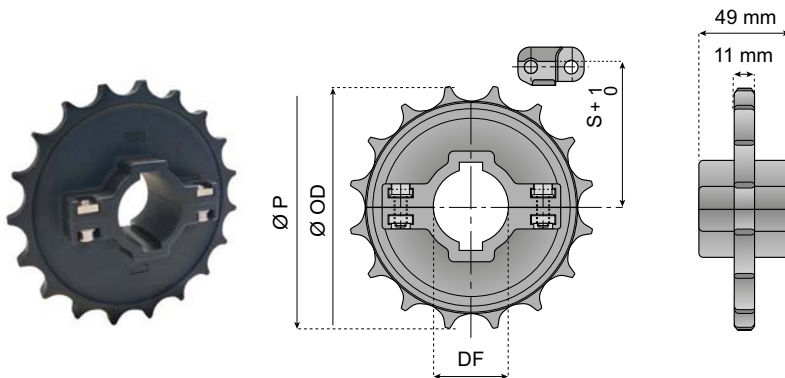


See belts with 8,7mm thickness:

30300a

See belts with 12,7mm thickness:

30410a



See also the sprockets and idler wheels:

30715a

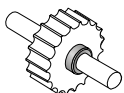
Z	Ø OD mm	Ø P mm	S mm
16	130,9	128,9	67,8
18	146,8	144,8	75,7
19	156,3	154,3	80,5



MOLDED DRIVE SPROCKETS - SPLIT DOUBLE KEYWAY - FLOATING

Z	Ø 30	Ø 35	Ø 40	Ø 45
	ITEM DESCRIPTION			
16	2260-16R30M-DPS-K2	2260-16R35M-DPS-K2	2260-16R40M-DPS-K2	2260-16R45M-DPS-K2
18	2260-18R30M-DPS-K2	2260-18R35M-DPS-K2	2260-18R40M-DPS-K2	2260-18R45M-DPS-K2
19	2260-19R30M-DPS-K2	2260-19R35M-DPS-K2	2260-19R40M-DPS-K2	2260-19R45M-DPS-K2

Material: reinforced polyamide (black), screws in stainless steel, nuts in nickel plated brass.



Set collars, go to:

54630a

Chains & sprockets	Wear strips	Side guide brackets & accessories	Levelers	Engineering manual
Modular belts & sprockets	Chain & belt return systems	Frame & structure supports	Bearing supports	
Curves & tracks	Side guide solutions	Miscellaneous products	Equipment	

3 0 7 2 0 a

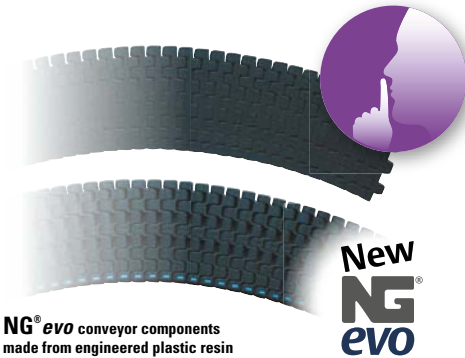
12,7 mm (½") MODULAR BELTS 2120M

SIDEFLEXING BELT FOR MAGNETIC CURVES

www.SystemPlastSmartGuide.com



New



Reduce noise level by 12 dB

New NG evo

NG evo conveyor components made from engineered plastic resin

- Longer wearlife than acetal
- Lower friction than acetal
- Good chemical resistance
- High abrasion resistance
- It meets the requirement for materials as stated by EC1935/2004 and FDA CFR21 norms for direct food contact
- Less dust than with acetal chains
- More.....

Features:

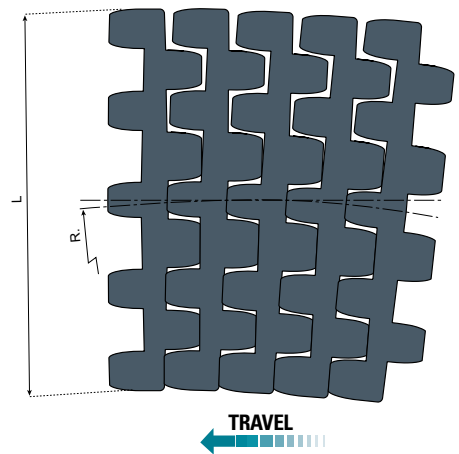
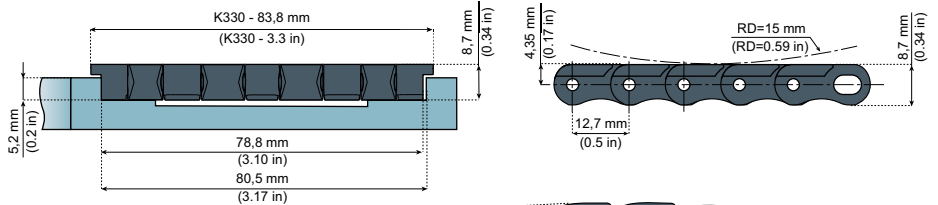
This system offers a unique solution for sideflexing applications in plants with modular conveyors.

Applications:

- To be used in the dry end of the line where bottles or cans run in lanes separated by guides.
- The short pitch makes in-line transfers possible.

Weight: 13,7 kg/m² (2.8 lbs/ft².)

Pin material: Ferritic Stainless Steel



ITEM DESCRIPTION	MATERIAL	WIDTH L		R MIN.	MAX LOAD CAPACITY		WEIGHT	
		mm	in		N	lbs	Kg/m	lbs/ft.
NGE2120M-SFF-K330	NGE Grey Blue	83,8	3.30	500	1900	420	1,1	0.74

Standard length: 240 pitches (3,048 m - 10 ft.)



Information about this product is only available on our Smart Guide® website.

Standard material

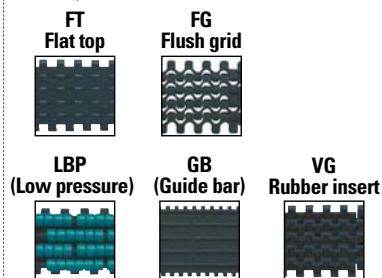
NGE (GREY BLUE)

New Generation®

materials details:

7 3 5 6 3 a

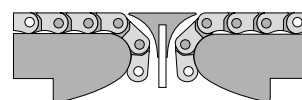
Other versions for 12,7 mm (½") belts:



3 0 1 6 0 a

Can be used with a Nose bar to create extremely short transfers.

page code: **5 0 0 8 0 a**



page code: **3 0 1 7 5 a**

Chains & sprockets	Wear strips	Side guide brackets & accessories	Levelers	Engineering manual
Modular belts & sprockets	Chain & belt return systems	Frame & structure supports	Bearing supports	
Curves & tracks	Side guide solutions	Miscellaneous products	Equipment	

3 0 7 2 0 z

APPLICATION EXAMPLES

www.SystemPlastSmartGuide.com



HEAVY DUTY BELTS IN CAR MANUFACTURING.

Go to:

3 0 6 2 0 a

Go to:

3 0 6 4 5 a



Picture by courtesy of Audi AG Ingolstadt - Germany

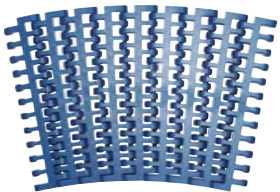
Chains & sprockets	Wear strips	Side guide brackets & accessories	Levelers	Engineering manual
Modular belts & sprockets	Chain & belt return systems	Frame & structure supports	Bearing supports	
Curves & tracks	Side guide solutions	Miscellaneous products	Equipment	

3 0 7 2 8 a

INDEX SIDEFLEXING MODULAR BELTS

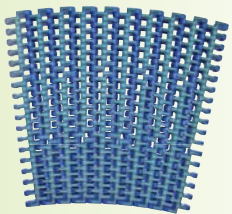
www.SystemPlastSmartGuide.com

SIDEFLEXING BELT 2256 - PITCH: 25,4 mm (1")



3 0 7 3 0 a

SIDEFLEXING BELT 2256 - PITCH: 25,4 mm (1") VERSION WITH RUBBER INSERTS



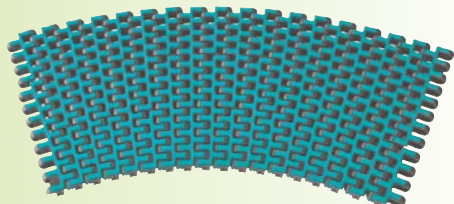
3 0 7 3 5 a

SIDEFLEXING BELT 2351/2451/2551/2651 - PITCH: 31,75 mm (1.¼")



CURVE RATIO	STANDARD	HEAVY DUTY
1,6	3 0 7 4 5 a	3 0 7 5 0 a
1,0		

SIDEFLEXING BELT 2351 - PITCH:31,75 (1.¼") VERSION WITH RUBBER INSERTS



3 0 7 5 5 a

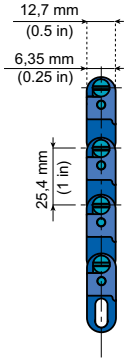
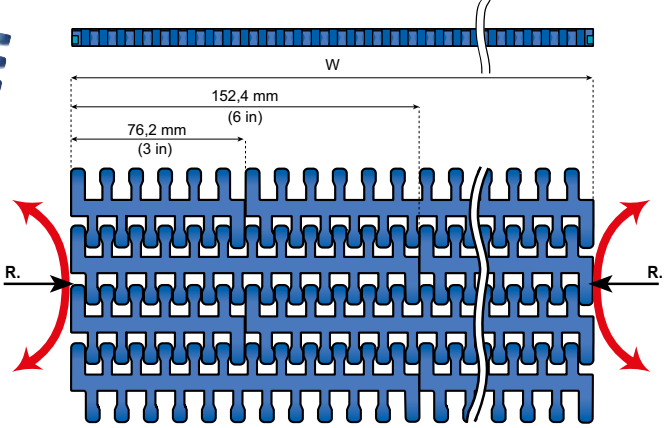
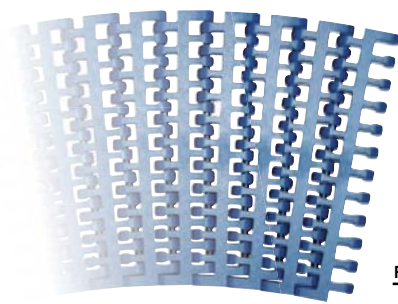
Chains & sprockets	Wear strips	Side guide brackets & accessories	Levelers	Engineering manual
Modular belts & sprockets	Chain & belt return systems	Frame & structure supports	Bearing supports	
Curves & tracks	Side guide solutions	Miscellaneous products	Equipment	

30730a

25,4 mm (1") MODULAR BELTS 2256

SIDEFLEXING

www.SystemPlastSmartGuide.com



Other versions for 25,4 mm (1") belts:



Pin material: PBT (white)
Open surface: 29% (straight)
Standard length:
width ≤ 24 in: 3,048 m (10 ft.)
width > 24 in: 1,524 m (5 ft.)

30740a

* Single track

WIDTH W		SIDE FLEX R. MIN.	MAX LOAD CAPACITY				BACK FLEX RADIUS		WEIGHT	
mm	in		STRAIGHT		CURVE		mm	in	Kg/m ²	lbs/ft.
			N/m	lbs/ft.	N	lbs				
76*	3	145	30000	2000	2000	450	25	0.98	7,75	1.58
152*	6	290								
229	9	435								
305	12	580								
381	15	725								
457	18	890								
533	21	1040								
610	24	1250								



Notes: Schematic presentation of all sideflexing 25,4 mm (1") pitch belts. Thickness: 12,7 mm (½")

NG® evo conveyor components made from engineered plastic resin

Standard materials

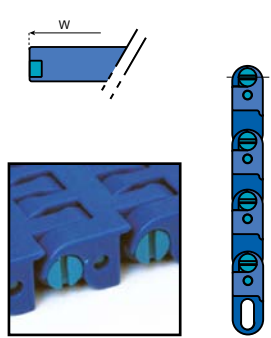
LFB (BLUE)	NGE (GREY BLUE)
Low friction acetal resin	New Generation®

This belt is bi-directional and can make both left and right turns. Even S-curves are possible if the load allows for that. The belt is available with several clips and guiding systems.

materials details:

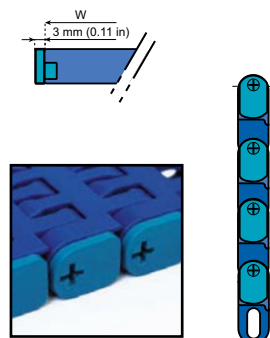
73563a

Without TAB "C" version



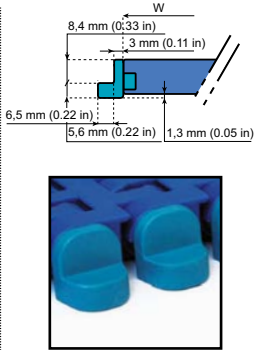
Just a clip for pin retention.

With slider shoe "S" version



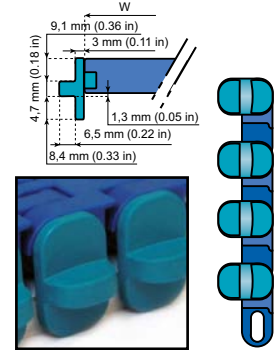
Attached to the pin retention clip is a slider shoe that can reduce friction and act as a wear part.

With TAB "T" version



Attached to the pin retention clip is a TAB that holds the belt down in the curves.

With TAB & positioner "TP" version



Attached to the pin retention clip is a TAB-Positioner combination that holds the belt down in the curves but also guides the belt on straight sections.

* Single track

WIDTH W	
mm	in
76*	3
152*	6
229	9
305	12
381	15
457	18
533	21
610	24

ITEM DESCRIPTION
LFB2256C-K300
LFB2256C-K600
LFB2256C-K900
LFB2256C-K1200
LFB2256C-K1500
LFB2256C-K1800
LFB2256C-K2100
LFB2256C-K2400

ITEM DESCRIPTION
LFB2256S-K300
LFB2256S-K600
LFB2256S-K900
LFB2256S-K1200
LFB2256S-K1500
LFB2256S-K1800
LFB2256S-K2100
LFB2256S-K2400

ITEM DESCRIPTION
LFB2256TAB-K300
LFB2256TAB-K600
LFB2256TAB-K900
LFB2256TAB-K1200
LFB2256TAB-K1500
LFB2256TAB-K1800
LFB2256TAB-K2100
LFB2256TAB-K2400

ITEM DESCRIPTION
LFB2256TP-K300
LFB2256TP-K600
LFB2256TP-K900
LFB2256TP-K1200
LFB2256TP-K1500
LFB2256TP-K1800
LFB2256TP-K2100
LFB2256TP-K2400

Other widths available on request.

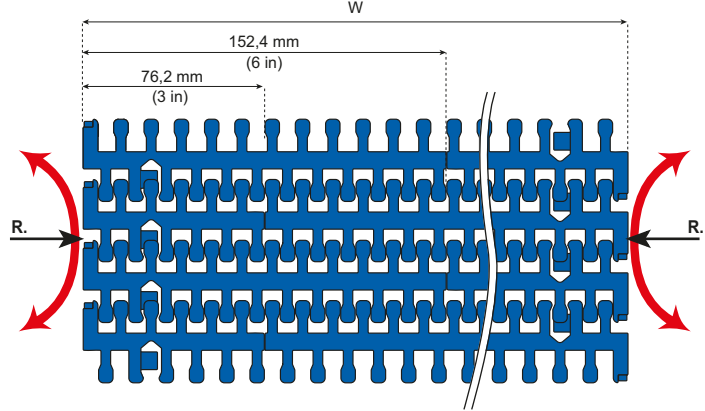
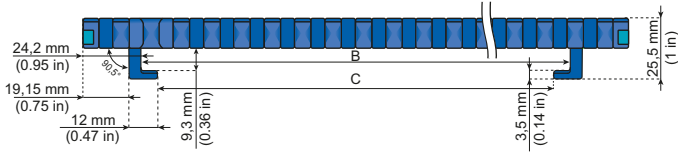
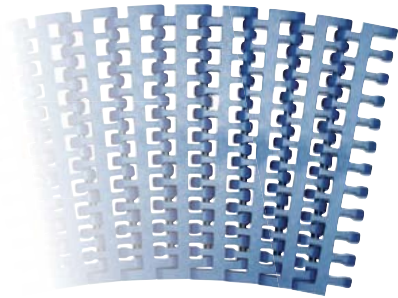
Chains & sprockets	Wear strips	Side guide brackets & accessories	Levelers	Engineering manual
Modular belts & sprockets	Chain & belt return systems	Frame & structure supports	Bearing supports	
Curves & tracks	Side guide solutions	Miscellaneous products	Equipment	

30730b

25,4 mm (1") MODULAR BELTS 2256ST TAB

www.SystemPlastSmartGuide.com

SIDEFLEXING



Pin material: PBT (white)
Available Widths: 4" single track, 6" single track, 6" + multiple of 3" (9", 12", 15", ...)
Opening Size (approximate): 8.5x7.3 mm (0.33"x0.28")
Open Area: 29% (once straight)
Drive Method: Hinge-driven
Materials: POM e NGE

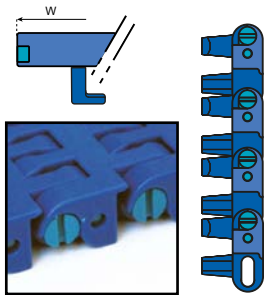
Contact System Plast for precise belt measurements and stock status before designing equipment or ordering a belt.

WIDTH W		B		C		R MIN.		MAX LOAD CAPACITY				BACK FLEX RADIUS		WEIGHT	
mm	in	mm	in	mm	in	mm	in	STRAIGHT		CURVE		mm	in	Kg/m²	lbs/ft.
								N/m	lbs/ft.	N	lbs				
101,6*	4	53,1	2.09	39,3	1.55	250	9.84	30000	2000	2000	450	25	0.98	7,75	1.58
152,4*	6	103,9	4.09	90,1	3.55	335	13.19								
228,6	9	180,1	7.09	166,3	6.55	500	19.69	30000	2000	2000	450	25	0.98	7,75	1.58
304,8	12	256,3	10.09	242,5	9.55	690	27.17								
381	15	332,5	13.09	318,7	12.55	870	34.25								
457,2	18	408,7	16.09	394,9	15.55	1050	41.34								
533,4	21	484,9	19.09	471,1	18.55	1225	48.23								
609,6	24	561,1	22.09	547,3	21.55	1400	55.12								

This belt is bi-directional and can make both left and right turns. Even S-curves are possible if the load allows for that. The belt is available with several clips and guiding systems.

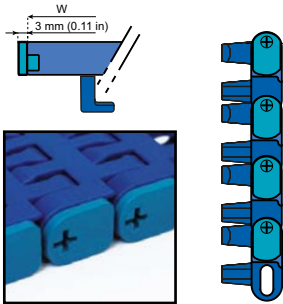
* Single track

Clips without TAB "C" Version



Just a clip for pin retention.

Clips with slider shoe "S" version



Attached to the pin retention clip is a slider shoe that can reduce friction and act as a wear part.

Other versions for 25,4 mm (1") belts:

VG Rubber insert



Notes: Schematic presentation of all sideflexing 25,4 mm (1") pitch belts. Thickness: 12,7 mm (1/2")

* Single track

WIDTH W	
mm	in
101,6*	4
152,4*	6
228,6	9
304,8	12
381	15
457,2	18
533,4	21
609,6	24

ITEM DESCRIPTION
LFB2256ST-C-K400
LFB2256ST-C-K600
LFB2256ST-C-K900
LFB2256ST-C-K1200
LFB2256ST-C-K1500
LFB2256ST-C-K1800
LFB2256ST-C-K2100
LFB2256ST-C-K2400

ITEM DESCRIPTION
LFB2256ST-S-K400
LFB2256ST-S-K600
LFB2256ST-S-K900
LFB2256ST-S-K1200
LFB2256ST-S-K1500
LFB2256ST-S-K1800
LFB2256ST-S-K2100
LFB2256ST-S-K2400



NG® evo conveyor components made from engineered plastic resin..

Standard materials

LFB (BLUE)	NGE (GREY BLUE)
Low friction acetal resin	New Generation®

materials details:



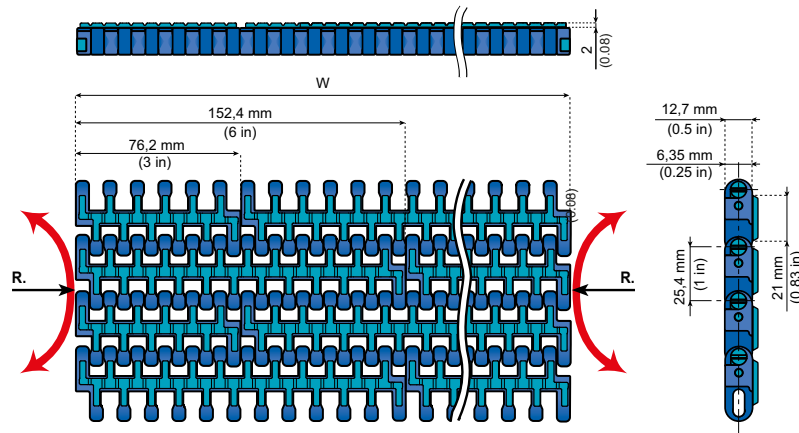
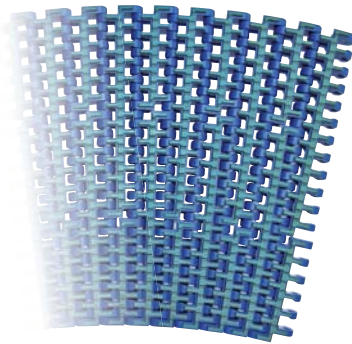
Chains & sprockets	Wear strips	Side guide brackets & accessories	Levelers	Engineering manual
Modular belts & sprockets	Chain & belt return systems	Frame & structure supports	Bearing supports	
Curves & tracks	Side guide solutions	Miscellaneous products	Equipment	

30735a

25,4 mm (1") MODULAR BELTS 2256 - RUBBER INSERT

www.SystemPlastSmartGuide.com

SIDEFLEXING



Other versions for 25,4 mm (1") belts:

FG Flush Grid



Belt material: low friction acetal resin, dark blue colour
Rubber material: thermoplastic rubber, waterblue colour, 75 shore A.
Pin material: PBT (white); **open surface:** 29% (straight)
Standard length: width ≤ 24 in: 3,048 m (10 ft.) / width > 24 in: 1,524 m (5 ft.)

Notes: Schematic presentation of all sideflexing VG 25,4 mm (1") pitch belts. Thickness: 12,7 mm (½")

WIDTH W		SIDE FLEX RADIUS MIN.	MAX LOAD CAPACITY		BACK FLEX RADIUS	WEIGHT
mm	in		STRAIGHT	CURVE		
76*	3	145	30000 N/m (2000 lbs/ft.)	2000 N (450 lbs)	25 mm (0.98 in)	7,75 Kg/m ² (1.58 lbs/ft. ²)
152*	6	290				
229	9	435				
305	12	580				
381	15	725				
457	18	890				
533	21	1040				
610	24	1250				

Standard materials

LFB (BLUE)	TPR (WATER BLUE)
Low friction acetal resin	Thermoplastic rubber

materials details: **73563a** **73570a**



This belt is bi-directional and can make both left and right turns. Even S-curves are possible if the load allows for that. The belt is available with several clips and guiding systems.

* Single track

<p>Without TAB "C" version</p>	<p>With slider shoe "S" version</p>	<p>With TAB "T" version</p>	<p>With TAB & Positioner "TP" version</p>
---------------------------------------	--	------------------------------------	--

Just a clip for pin retention.

Attached to the pin retention clip is a slider shoe that can reduce friction and act as a wear part.

Attached to the pin retention clip is a TAB that holds the belt down in the curves.

Attached to the pin retention clip is a TAB-Positioner combination that holds the belt down in the curves but also guides the belt on straight sections.

* Single track

WIDTH W		ITEM DESCRIPTION	ITEM DESCRIPTION	ITEM DESCRIPTION	ITEM DESCRIPTION
mm	in				
76*	3	LFB2256C-K300VG	LFB2256S-K300VG	LFB2256TAB-K300VG	LFB2256TP-K300VG
152*	6	LFB2256C-K600VG	LFB2256S-K600VG	LFB2256TAB-K600VG	LFB2256TP-K600VG
229	9	LFB2256C-K900VG	LFB2256S-K900VG	LFB2256TAB-K900VG	LFB2256TP-K900VG
305	12	LFB2256C-K1200VG	LFB2256S-K1200VG	LFB2256TAB-K1200VG	LFB2256TP-K1200VG
381	15	LFB2256C-K1500VG	LFB2256S-K1500VG	LFB2256TAB-K1500VG	LFB2256TP-K1500VG
457	18	LFB2256C-K1800VG	LFB2256S-K1800VG	LFB2256TAB-K1800VG	LFB2256TP-K1800VG
533	21	LFB2256C-K2100VG	LFB2256S-K2100VG	LFB2256TAB-K2100VG	LFB2256TP-K2100VG
610	24	LFB2256C-K2400VG	LFB2256S-K2400VG	LFB2256TAB-K2400VG	LFB2256TP-K2400VG

Other widths available on request.

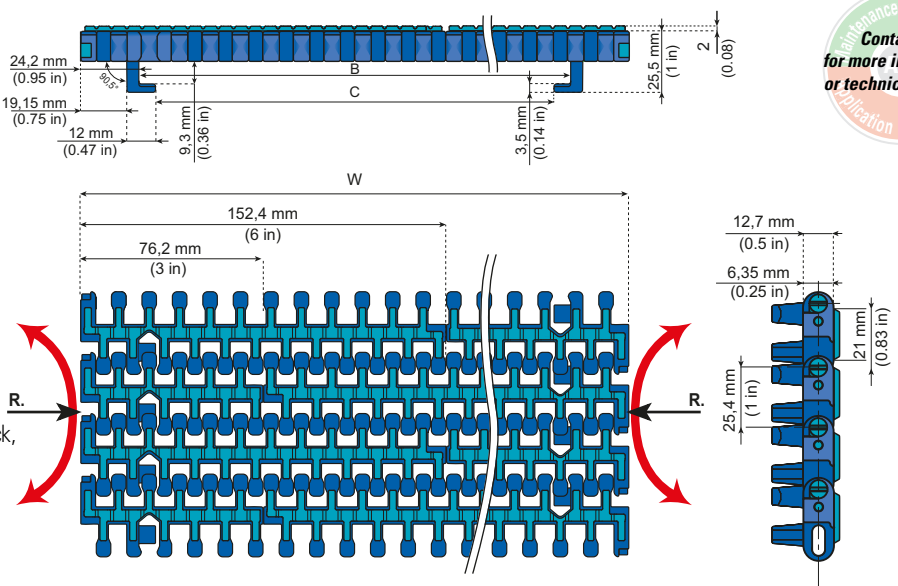
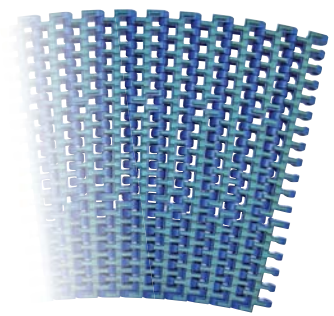
Chains & sprockets	Wear strips	Side guide brackets & accessories	Levelers	Engineering manual
Modular belts & sprockets	Chain & belt return systems	Frame & structure supports	Bearing supports	
Curves & tracks	Side guide solutions	Miscellaneous products	Equipment	

30735b

25,4 mm (1") MODULAR BELTS 2256ST VG TAB - RUBBER INSERT

www.SystemPlastSmartGuide.com

SIDEFLEXING



Pin material: PBT (white)
Available Widths: 4" single track, 6" single track, 6" + multiple of 3" (9", 12", 15", ...)
Opening Size (approximate): 8.5x7.3 mm (0.33"x0.28")
Open Area: 29% (once straight)
Drive Method: Hinge-driven
Materials: POM e NGE
Rubber material: thermoplastic rubber, waterblue colour, 75 shore A.

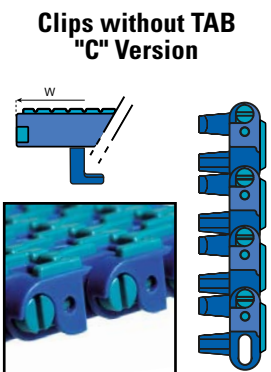
Contact System Plast for precise belt measurements and stock status before designing equipment or ordering a belt.

WIDTH W		B		C		R MIN.		MAX LOAD CAPACITY				BACK FLEX RADIUS		WEIGHT	
mm	in	mm	in	mm	in	mm	in	STRAIGHT		CURVE		mm	in	Kg/m ²	lbs/ft.
								N/m	lbs/ft.	N	lbs				
101,6*	4	53,1	2.09	39,3	1.55	250	9.84	30000	2000	2000	450	25	0.98	7,75	1.58
152,4*	6	103,9	4.09	90,1	3.55	335	13.19								
228,6	9	180,1	7.09	166,3	6.55	500	19.69								
304,8	12	256,3	10.09	242,5	9.55	690	27.17								
381	15	332,5	13.09	318,7	12.55	870	34.25								
457,2	18	408,7	16.09	394,9	15.55	1050	41.34	30000	2000	2000	450	25	0.98	7,75	1.58
533,4	21	484,9	19.09	471,1	18.55	1225	48.23								
609,6	24	561,1	22.09	547,3	21.55	1400	55.12								

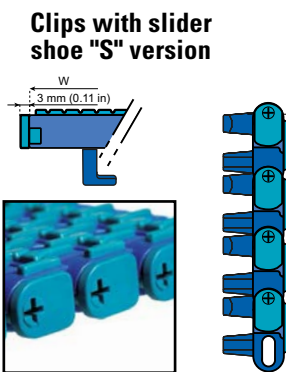
This belt is bi-directional and can make both left and right turns. Even S-curves are possible if the load allows for that. The belt is available with several clips and guiding systems.

* Single track

Other versions for 25,4 mm (1") belts:
FG Flush Grid



Just a clip for pin retention.



Attached to the pin retention clip is a slider shoe that can reduce friction and act as a wear part.

* Single track

WIDTH W	
mm	in
101,6*	4
152,4*	6
228,6	9
304,8	12
381	15
457,2	18
533,4	21
609,6	24

ITEM DESCRIPTION
LFB2256ST-C-K400VG
LFB2256ST-C-K600VG
LFB2256ST-C-K900VG
LFB2256ST-C-K1200VG
LFB2256ST-C-K1500VG
LFB2256ST-C-K1800VG
LFB2256ST-C-K2100VG
LFB2256ST-C-K2400VG

ITEM DESCRIPTION
LFB2256ST-S-K400VG
LFB2256ST-S-K600VG
LFB2256ST-S-K900VG
LFB2256ST-S-K1200VG
LFB2256ST-S-K1500VG
LFB2256ST-S-K1800VG
LFB2256ST-S-K2100VG
LFB2256ST-S-K2400VG



NG®evo conveyor components made from engineered plastic resin..

Standard materials	
LFB (BLUE)	NGE (GREY BLUE)
Low friction acetal resin	New Generation®

materials details:
73563a

Chains & sprockets	Wear strips	Side guide brackets & accessories	Levelers	Engineering manual
Modular belts & sprockets	Chain & belt return systems	Frame & structure supports	Bearing supports	
Curves & tracks	Side guide solutions	Miscellaneous products	Equipment	

30740a

DRIVE AND RETURN SPROCKETS

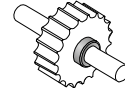
www.SystemPlastSmartGuide.com

FOR BELT 2256 (VG)

New design
30990a

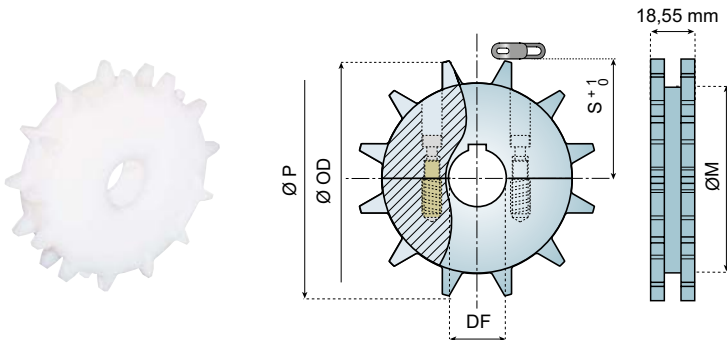
Features:

- Very high strength.
- Split versions: quick and easy replacement.
- Foolproof design.
- Completely closed structure, easy to clean and to disinfect.
- Excellent wear and chemical resistance.
- Recyclable.



Set collars, go to:

54630a



Z	Ø P mm	Ø OD mm	Ø M mm	S mm
10	82,2	83,3	65,3	33
12	98,1	100	82	41
15	122,2	124,3	106,3	53
18	146,3	147,8	129	65

MACHINED DRIVE SPROCKETS - SPLIT			
Z	Ø 25	Ø 30	Ø 40
ITEM DESCRIPTION			
10	2256-10R25M-DPMS	2256-10R30M-DPMS	-
12	2256-12R25M-DPMS	2256-12R30M-DPMS	2256-12R40M-DPMS
15	2256-15R25M-DPMS	2256-15R30M-DPMS	2256-15R40M-DPMS
18	2256-18R25M-DPMS	2256-18R30M-DPMS	2256-18R40M-DPMS
MACHINED RETURN SPROCKETS - SPLIT			
10	2256-10R25M-RMS	2256-10R30M-RMS	-
12	2256-12R25M-RMS	2256-12R30M-RMS	2256-12R40M-RMS
15	2256-15R25M-RMS	2256-15R30M-RMS	2256-15R40M-RMS
18	2256-18R25M-RMS	2256-18R30M-RMS	2256-18R40M-RMS
MACHINED DRIVE SPROCKETS SQUARE BORE - SPLIT FLOATING			
Z	∅ 25X25	∅ 30X30	∅ 40X40
10	-	2256-10S30M-DMS	-
12	2256-12S25M-DMS	2256-12S30M-DMS	-
15	-	2256-15S30M-DMS	2256-15S40M-DMS
18	2256-18S25M-DMS	-	2256-18S40M-DMS



See belts 2256:

30730a

See belts 2256 VG:

30735a

Material: polyamide (natural white), screws in stainless steel, bushings in brass.

Chains & sprockets	Wear strips	Side guide brackets & accessories	Levelers	Engineering manual
Modular belts & sprockets	Chain & belt return systems	Frame & structure supports	Bearing supports	
Curves & tracks	Side guide solutions	Miscellaneous products	Equipment	

3 0 7 4 0 z

APPLICATION EXAMPLES

www.SystemPlastSmartGuide.com



SPEEDRAIL™ ROLLER GUIDES FOR SHRINK WRAPPED PRODUCTS.

Go to:

5 2 5 1 0 a



LUGGAGE HANDLING BELT WITH MODULAR BELTS WITH RUBBER INSERTS.

Go to:

3 0 4 9 0 a



ROLLER TRANSFER MODULES.

Go to:

5 2 6 7 0 a

Chains & sprockets	Wear strips	Side guide brackets & accessories	Levelers	Engineering manual
Modular belts & sprockets	Chain & belt return systems	Frame & structure supports	Bearing supports	
Curves & tracks	Side guide solutions	Miscellaneous products	Equipment	

3 0 7 4 5 a

31,75 mm (1 1/4") MODULAR BELTS 2351 & 2551

www.SystemPlastSmartGuide.com

SIDEFLEXING



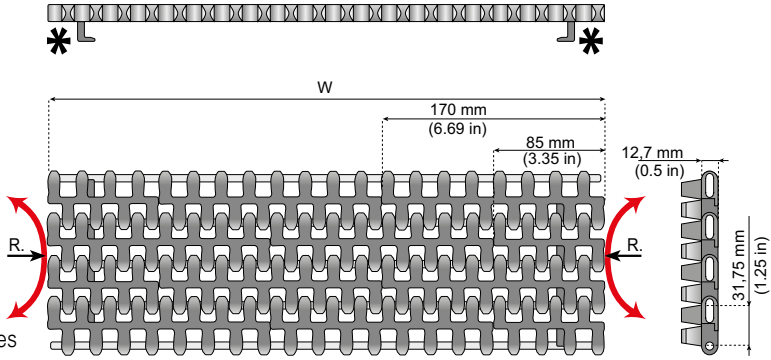
Features for 2351:

- Radius – width ratio min. 1,6
- Can also be used in S-curves

Weight: 9.0 kg/m² (1.84 lbs/f².)



Type 2351 - Curve ratio 1,6



Features for 2551:

- Radius – width ratio min. 1,0 for tight curves

Weight: 8.2 kg/m² (1.67 lbs/f².)

Features for both:

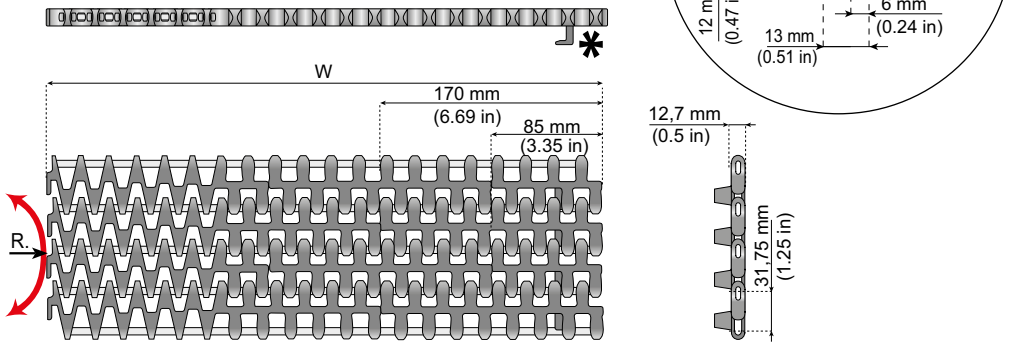
- Optimum product support
- Strong design
- For left or right L- or U-turns
- Easy installation and maintenance

Pin Material: PBT white

Standard length:

- width ≤ 850 mm (33.46 in): 1,524 m (5 ft.)
- width > 850 mm (33.46 in): on request

Type 2551 - Curve ratio 1,0



Information about this product is only available on our Smart Guide® website.

Standard material

LFG (GREY)
Low friction acetal resin

materials details: **7 3 5 6 3 a**

Also available into

LFW (COLOR WHITE)
Low friction acetal resin

materials details: **7 3 5 6 3 a**

3 0 7 6 0 a

2351			2551			MAX LOAD CAPACITY		BACK FLEX RADIUS
WIDTH W	SIDE FLEX R. MIN.		WIDTH W	SIDE FLEX R. MIN.				
mm	in		mm	in		STRAIGHT	CURVE	
255	10.04	408	-	-	-	30000 N/m (2000 lbs/ft.)	2500 N (560 lbs)	25 mm (0.98 in)
340	13.39	545	340	13.39	340			
425	16.73	680	425	16.73	425			
510	20.08	840	510	20.08	510			
595	23.43	980	595	23.43	595			
680	26.77	1150	680	26.77	680			
765	30.12	1300	765	30.12	850			
850	33.46	1450	850	33.46	1050			

Side flex radius values are valid for curves up to 180 degrees. For larger angles or for spirals, please consult our Application Engineering.

2351			
Without TAB		With TAB 2 sides	
WIDTH W	ITEM DESCRIPTION	ITEM DESCRIPTION	
mm	in		
255	10.04	LFG2351-M0255	LFG2351TAB-M0255
340	13.39	LFG2351-M0340	LFG2351TAB-M0340
425	16.73	LFG2351-M0425	LFG2351TAB-M0425
510	20.08	LFG2351-M0510	LFG2351TAB-M0510
595	23.43	LFG2351-M0595	LFG2351TAB-M0595
680	26.77	LFG2351-M0680	LFG2351TAB-M0680
765	30.12	LFG2351-M0765	LFG2351TAB-M0765
850	33.46	LFG2351-M0850	LFG2351TAB-M0850

2551			
Without TAB		With TAB 1 side	
WIDTH W	ITEM DESCRIPTION	ITEM DESCRIPTION	
mm	in		
-	-	-	-
340	13.39	LFG2551-M0340	LFG2551TAB-M0340
425	16.73	LFG2551-M0425	LFG2551TAB-M0425
510	20.08	LFG2551-M0510	LFG2551TAB-M0510
595	23.43	LFG2551-M0595	LFG2551TAB-M0595
680	26.77	LFG2551-M0680	LFG2551TAB-M0680
765	30.12	LFG2551-M0765	LFG2551TAB-M0765
850	33.46	LFG2551-M0850	LFG2551TAB-M0850

Other widths available on request.

Chains & sprockets	Wear strips	Side guide brackets & accessories	Levelers	Engineering manual
Modular belts & sprockets	Chain & belt return systems	Frame & structure supports	Bearing supports	
Curves & tracks	Side guide solutions	Miscellaneous products	Equipment	

30750a

31,75 mm (1 1/4") MODULAR BELTS 2451 & 2651

www.SystemPlastSmartGuide.com

SIDEFLEXING HEAVY DUTY

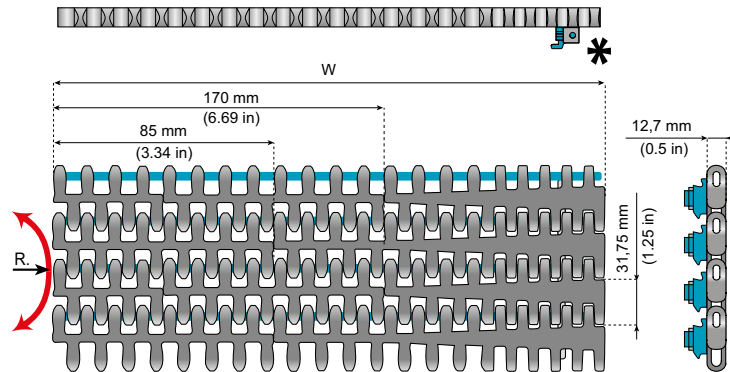


Features for 2451:

- Radius – width ratio min. 1,6
- Weight:** 9.7 kg/m² (1.98 lbs/ft².)



TYPE 2451 - Curve ratio 1,6



Features for 2651:

- Radius – width ratio min. 1.0 for tight curves
- Weight:** 8,8 kg/m² (1.8 lbs/ft².)

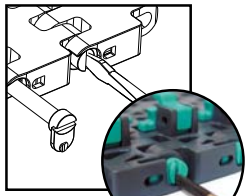
Features for both:

- Heavy-duty extra strong design
- For left or right L- or U-turns
- Optimum combination of materials
- Optimum product support
- Easy installation and maintenance

Pin Material: PBT white

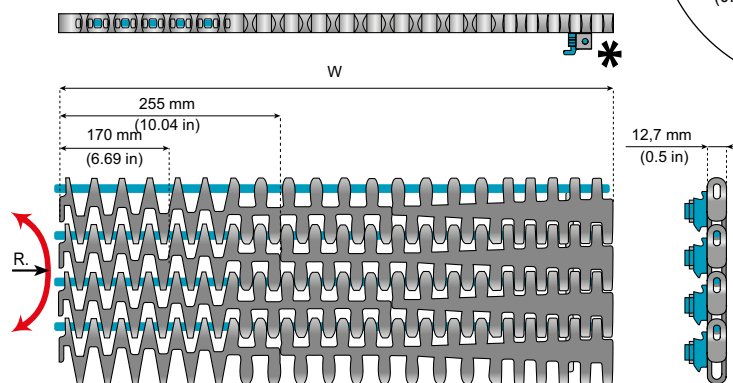
Standard length:

- width ≤ 850 mm (33.46 in): 1,524 m (5 ft.)
- width > 850 mm (33.46 in): on request



PATENTED

TYPE 2651 - Curve ratio 1.0



30760a



Information about this product is only available on our Smart Guide® website.

Standard material

LFG (GREY)

Low friction acetal resin

materials details:

73563a

Also available into

LFW (COLOR WHITE)

Low friction acetal resin

39999a

materials details:

73563a

WIDTH W		ITEM DESCRIPTION	2451			MAX LOAD CAPACITY				BACK FLEX RADIUS	
mm	in		WIDTH W		SIDE FLEX R. MIN.	STRAIGHT		CURVE		mm	in
			mm	in		N/m	lbs/ft.	N	lbs		
-	-	-	-	-	-	30000	2000	3500	790	25	0.98
340	13.39	LFG2451TAB-M0340	340	13.39	545						
425	16.73	LFG2451TAB-M0425	425	16.73	680						
510	20.08	LFG2451TAB-M0510	510	20.08	840						
595	23.43	LFG2451TAB-M0595	595	23.43	980						
680	26.77	LFG2451TAB-M0680	680	26.77	1150						
765	30.12	LFG2451TAB-M0765	765	30.12	1300						
850	33.46	LFG2451TAB-M0850	850	33.46	1450						

Side flex radius values are valid for curves up to 180 degrees. For larger angles or for spirals, please consult our Application Engineering.

WIDTH W		ITEM DESCRIPTION	2651			MAX LOAD CAPACITY				BACK FLEX RADIUS	
mm	in		WIDTH W		SIDE FLEX R. MIN.	STRAIGHT		CURVE		mm	in
			mm	in		N/m	lbs/ft.	N	lbs		
-	-	-	-	-	-	30000	2000	3500	790	25	0.98
425	16.73	LFG2651TAB-M0425	425	16.73	425						
510	20.08	LFG2651TAB-M0510	510	20.08	510						
595	23.43	LFG2651TAB-M0595	595	23.43	595						
680	26.77	LFG2651TAB-M0680	680	26.77	680						
765	30.12	LFG2651TAB-M0765	765	30.12	850						
850	33.46	LFG2651TAB-M0850	850	33.46	1050						

Chains & sprockets	Wear strips	Side guide brackets & accessories	Levelers	Engineering manual
Modular belts & sprockets	Chain & belt return systems	Frame & structure supports	Bearing supports	
Curves & tracks	Side guide solutions	Miscellaneous products	Equipment	

30755a

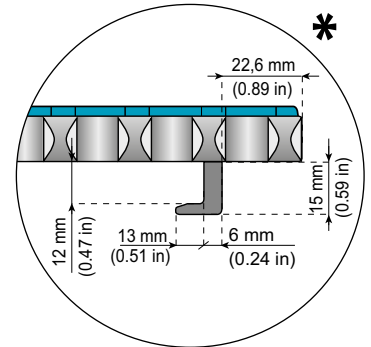
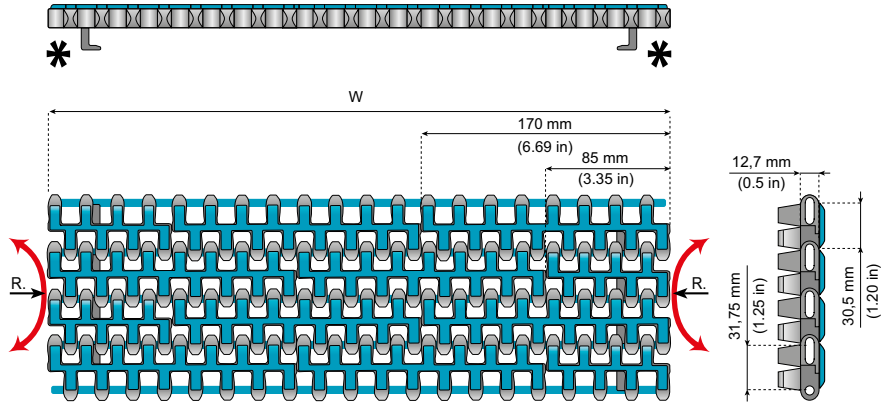
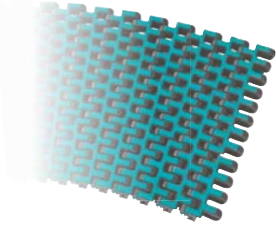
31,75 mm (1 1/4") MODULAR BELTS 2351 - RUBBER INSERT

www.SystemPlastSmartGuide.com

SIDEFLEXING



2351 VG - Curve ratio 1,6



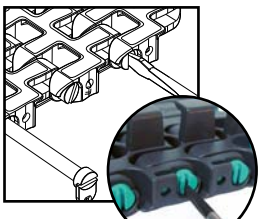
Features:

- Radius – width ratio min. 1,6
- For left or right L- or U-turns
- Can also be used in S-curves
- Strong design
- Optimum product support
- Easy installation and maintenance

Rubber material: thermoplastic rubber, waterblue colour, 75 shore A.

Standard length: 96 pitches (3,048 m - 10 ft.)

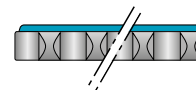
30760a



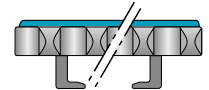
PATENTED

WIDTH W		SIDE FLEX R. MIN.	MAX LOAD CAPACITY				BACK FLEX RADIUS		WEIGHT	
mm	in		STRAIGHT		CURVE		mm	in	Kg/m ²	lbs/ft ²
			N/m	lbs/ft.	N	lbs				
255	10.04	408	22000	1500	2500	560	25	0.98	8,8	1.8
340	13.39	545								
425	16.73	680								
510	20.08	840								
595	23.43	980								
680	26.77	1150								
765	30.12	1300								
850	33.46	1450								

Side flex radius values are valid for curves up to 180 degrees. For larger angles or for spirals, please consult our Application Engineering.



Without TAB



With TAB 2 sides

Standard material
LFG (GREY)
Low friction acetal resin

TPR (WATER BLUE)
Thermoplastic rubber

materials details:

73563a

materials details:

73570a

Also available into

LFW (COLOR WHITE)

Low friction acetal resin

39999a



Information about this product is only available on our Smart Guide® website.

WIDTH W		ITEM DESCRIPTION	ITEM DESCRIPTION
mm	in		
255	10.04	LFG2351-M0255VG	LFG2351TAB-M0255VG
340	13.39	LFG2351-M0340VG	LFG2351TAB-M0340VG
425	16.73	LFG2351-M0425VG	LFG2351TAB-M0425VG
510	20.08	LFG2351-M0510VG	LFG2351TAB-M0510VG
595	23.43	LFG2351-M0595VG	LFG2351TAB-M0595VG
680	26.77	LFG2351-M0680VG	LFG2351TAB-M0680VG
765	30.12	LFG2351-M0765VG	LFG2351TAB-M0765VG
850	33.46	LFG2351-M0850VG	LFG2351TAB-M0850VG

Other widths available on request.

Chains & sprockets	Wear strips	Side guide brackets & accessories	Levelers	Engineering manual
Modular belts & sprockets	Chain & belt return systems	Frame & structure supports	Bearing supports	
Curves & tracks	Side guide solutions	Miscellaneous products	Equipment	

30760a

DRIVE AND RETURN SPROCKETS, IDLER WHEELS

www.SystemPlastSmartGuide.com

FOR BELTS 2351 (VG)-2451-2551-2651

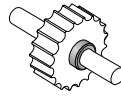


New design

30990a

Features:

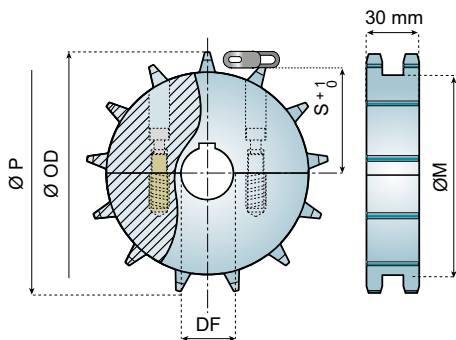
- Very high strength.
- Split versions: quick and easy replacement.
- Foolproof design.
- Completely closed structure, easy to clean and to disinfect.
- Excellent wear and chemical resistance.
- Recyclable.



Set collars, go to:
54630a



Z	Ø P mm	Ø OD mm	Ø M mm	S mm	DIAMETER OF THE SUPPORTING WHEEL mm
10	102,8	107,7	84	45	85,0
13	132,7	138,8	114	60	116,1
15	152,7	159,4	135	70	136,7
16	162,8	169,6	145	75	146,9



Z	Ø 30	Ø 40
	ITEM DESCRIPTION	
10	2351-10R30M-DMS	2351-10R40M-DMS
13	2351-13R30M-DMS	2351-13R40M-DMS
15	2351-15R30M-DMS	2351-15R40M-DMS
16	2351-16R30M-DMS	2351-16R40M-DMS

Material: polyamide (natural white), screws in stainless steel, bushings in brass, DIN 6885 key seat.



See belts 2351-2551:

30745a

See belts 2651-2451:

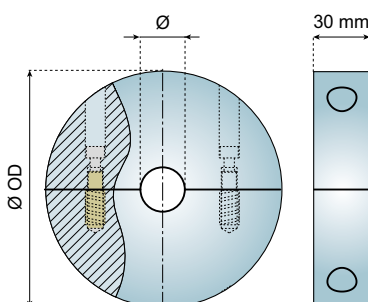
30750a

See belts 2351VG:

30755a

Z	Ø 30	Ø 40
	ITEM DESCRIPTION	
10	2351-10R30M-RMS	2351-10R40M-RMS
13	2351-13R30M-RMS	2351-13R40M-RMS
15	2351-15R30M-RMS	2351-15R40M-RMS
16	2351-16R30M-RMS	2351-16R40M-RMS

Material: polyamide (natural white), screws in stainless steel, bushings in brass.



Z	PART NUMBER	Ø	NOTES
10	2351-10R18M-WMS	18	Max. allowed bore: Ø30
13	2351-13R23M-WMS	23	Max. allowed bore: Ø50
15	2351-15R23M-WMS		
16	2351-16R23M-WMS		

Z	Ø OD mm
10	85,0
13	116,1
15	136,7
16	146,9

Material: polyamide (natural white), screws in stainless steel, bushings in brass.

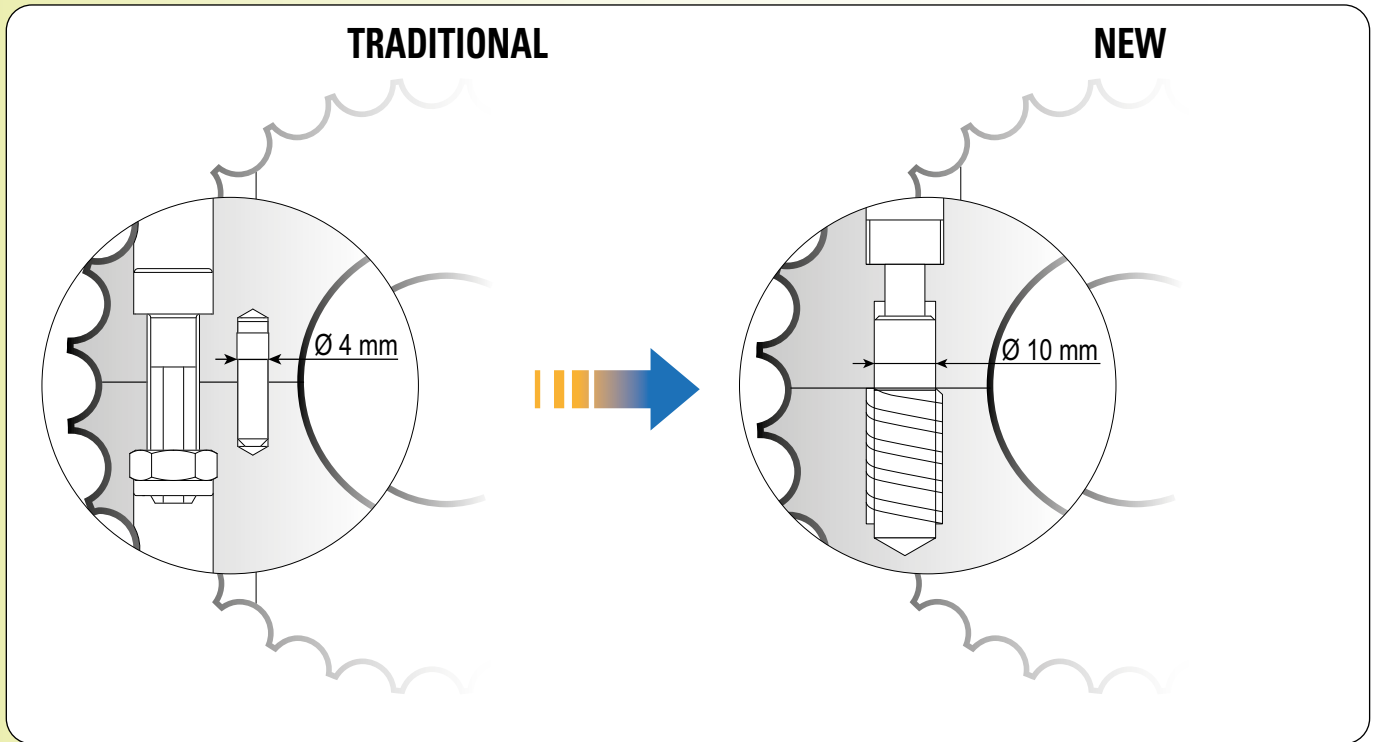
Chains & sprockets	Wear strips	Side guide brackets & accessories	Levelers	Engineering manual
Modular belts & sprockets	Chain & belt return systems	Frame & structure supports	Bearing supports	
Curves & tracks	Side guide solutions	Miscellaneous products	Equipment	

3 0 9 9 0 a

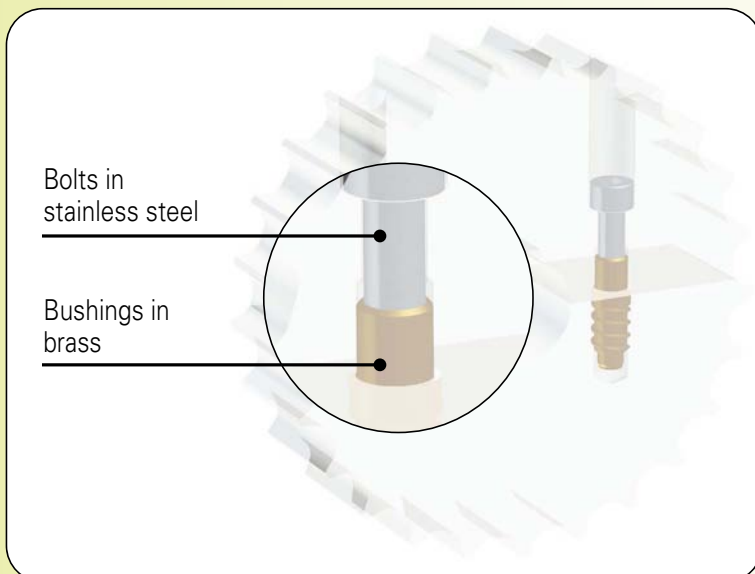
SPROCKETS WITH BUSHINGS CONCEPT / DETAILS

www.SystemPlastSmartGuide.com

- No rotation of nuts inside plastic.
- Fail safe disassembling.
- Quick and easy replacement.



- Reduced number of holes providing.
 - Better hygiene
 - Easier access
 - Less tooth perforation.
- Completely closed structure, easy to clean and to disinfect.



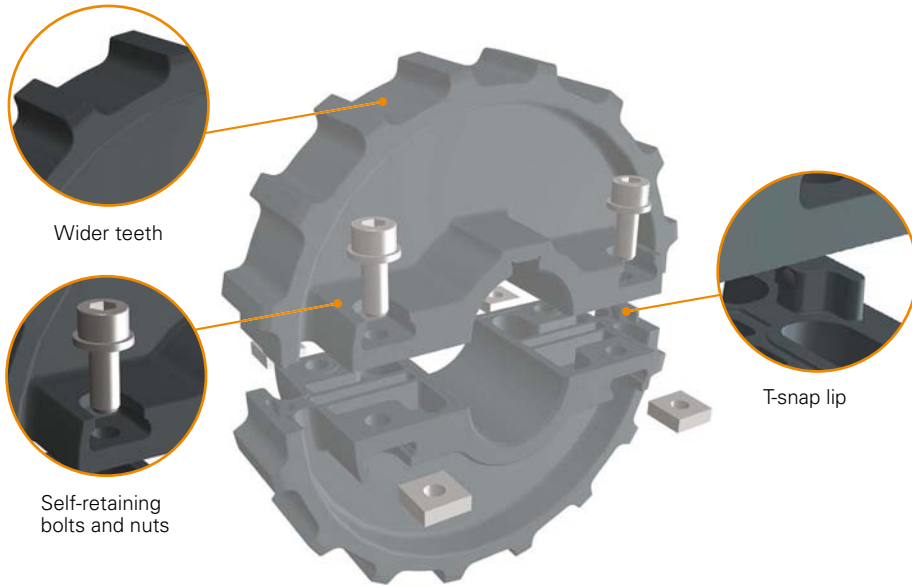
Chains & sprockets	Wear strips	Side guide brackets & accessories	Levelers	Engineering manual
Modular belts & sprockets	Chain & belt return systems	Frame & structure supports	Bearing supports	
Curves & tracks	Side guide solutions	Miscellaneous products	Equipment	

3 0 9 9 5 a

MOLDED SPROCKETS 2120-2250 SNAP CONCEPT / DETAILS

www.SystemPlastSmartGuide.com

New



The molded sprockets for our 2120-2250 series plastic modular belts have been improved. In comparison to the previous sprocket design. The new sprockets offer following benefits:

LONGER LIFE

The sprocket teeth have been enlarged by 8% (2250 only) to better transfer the load from sprocket to belt. This will also result in a longer wear life of sprocket and belt. Moreover, a new material is used, which is more stable in all application conditions and offers increased impact resistance.

EASIER USE OF SHAFT COLLARS

Shaft collars can now be used more easily. Hub width has been slightly reduced from 49 mm to 47,5 mm. Now, all our standard shaft collars can be used in combination with these sprockets, even on conveyors with 85 mm center-to-center distance.

SIMPLER INSTALLATION

Bolts and nuts can be inserted in the proper seats with a small interference, designed to avoid losing these parts during assembly/disassembly. There will be no more time lost due to bolts or nuts falling to the floor while installing a sprocket. The new and unique snap-fastening system is another feature that makes sprocket assembly much easier. The T-shaped lip at the edge of the sprocket half, simply snaps into its counterpart in the other half. When put around the shaft, the two halves will stick together even without fixing the bolts and nuts.

IMPROVED STRENGTH AND WEAR LIFE

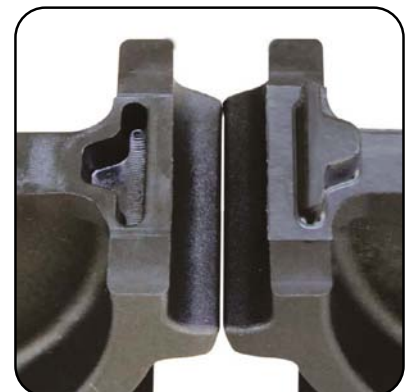
The design of the rib structure, especially around the hub, has been optimized. This has resulted in improved strength and reduced weight at the same time. The improved roundness results in a smoother belt operation.

NEW SNAP-FASTENING SYSTEM

The new and unique snap-fastening system makes sprocket assembly faster and easier. Besides, the strength has been improved by adding a T-shaped rib and a new design of the hub area.



Parts snap together without fixing bolts



T-snap lip

For drive and return sprockets, go to:

2120 series, go to:

3 0 1 6 0 a
3 0 1 6 0 c



2250 series, go to:

3 0 3 9 5 a
3 0 3 9 5 c


Note:


The new sprockets are completely interchangeable with the previous design. Part numbers and item descriptions are unchanged.


Chains & sprockets	Wear strips	Side guide brackets & accessories	Levelers	Engineering manual
Modular belts & sprockets	Chain & belt return systems	Frame & structure supports	Bearing supports	
Curves & tracks	Side guide solutions	Miscellaneous products	Equipment	


For details and quotations for modular belts in materials not indicated in this catalog please contact our customer service offices:


 System Plast S.r.l.
Via Guareschi, 2
24060 Telgate (Bergamo) - ITALY
Italy.PTSolutions@regalbeloit.com
Customer Service +39 035 83 51 301 - Fax +39 035 83 51 306


 Regal Beloit America, Inc. - USA
Tel. +1 - 800-626-2120 - Fax +1 - 800-626-3292
CustomerService.PTSolutions@regalbeloit.com


 System Plast GmbH - GERMANY
Tel. +49 (0)3529 56 15 0 - Fax +49 (0)3529 51 13 67
Germany.PTSolutions.Dohna@regalbeloit.com

 Regal Beloit France SAS - FRANCE
Tel. +33 (0)164 66 05 48 - Fax +33 (0)164 66 05 82
France.PTSolutions@regalbeloit.com

 Regal Beloit Finance B.V. - THE NETHERLANDS
Tel. +31 (0)186 63 61 22 - Fax +31 (0)186 63 61 25
Netherlands.PTSolutions@regalbeloit.com

 System Plast Limited - UK
Tel. +44 (0)1926 614 314 - Fax +44 (0)1926 614 914
UnitedKingdom.PTSolutions@regalbeloit.com

 Regal Beloit de Guadalajara, S. de R.L. de C.V. - MEXICO
Tel. +52 (0)33 3284 5629
Mexico.PTSolutions@regalbeloit.com

 Regal Beloit do Brazil Ltda. - BRAZIL
Tel. +55 - 15 3413 8899
Brazil.PTSolutions@regalbeloit.com

 Regal Beloit Asia Pte. Ltd. - SINGAPORE
Tel. +65 - 6863 3473 Ext. 2038 - Fax +65 - 6863 3476
Singapore.PTSolutions@regalbeloit.com

 Regal Beloit Power Transmission (Zhangzhou) Co. Ltd - CHINA
Tel. +86 - 400 885 8820 - Fax +86 - 596 213 6004
China.PTSolutions@regalbeloit.com

Chains & sprockets	Wear strips	Side guide brackets & accessories	Levelers	Engineering manual
Modular belts & sprockets	Chain & belt return systems	Frame & structure supports	Bearing supports	
Curves & tracks	Side guide solutions	Miscellaneous products	Equipment	

5 0 0 0 5 a

INTRODUCTION TO CURVES

www.SystemPlastSmartGuide.com

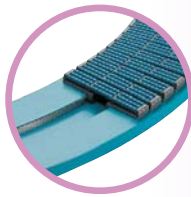
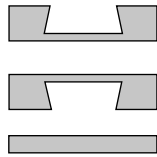
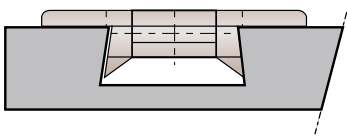
INDEX CURVES GO TO:

5 0 0 1 0 a Index magnetic curves

5 0 0 1 0 b Index curve and straight track for TAB

REGAL OFFERS A COMPLETE RANGE OF CURVES AND STRAIGHT TRACKS, DESIGNED FOR ALL POSSIBLE CONVEYOR APPLICATIONS. BELOW A BRIEF OVERVIEW OF THE VARIOUS CHARACTERISTICS.

BEVEL:



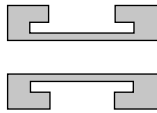
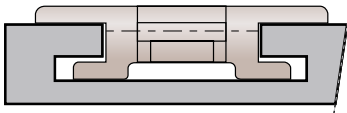
Magnetic system with metal strip: "EXTRA" curves

Regal has developed a magnetic curve retention system for dry-running applications. The system, sets new performance standards in magnet curve technology due to the inclusion of a unique metal strip mounted in the inside bearing face of the top section. This area is constantly under load due to the pressure/speed factor.

Main advantages:

- Extreme dissipation of heat significantly reduces wear.
- Under test conditions, lowest noise decibel levels were recorded.
- "Extra" curves are strongly recommended with plastic chains only!

TAB:



TOPTRAC®

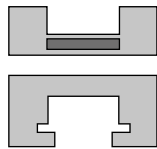
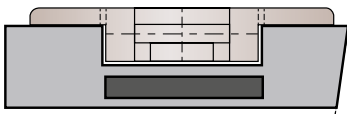


TOPTRAC® magnetic curve

System Plast® TopTrac® system is a new concept for magnetic curves, developed by Regal. The Nolu-SR™ interchangeable wear strips allow for higher speeds and loads. New magnet design and material results in a homogenous magnetic field, which improves product stability and productivity. The Nolu-SR wear strips can be quickly replaced, while curve remains fitted in the system.

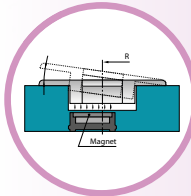
Go to: **5 0 0 0 6 a**

MAGNETIC:



COMPARISON OF CURVE SYSTEMS:

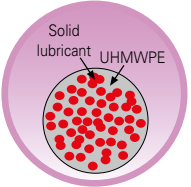
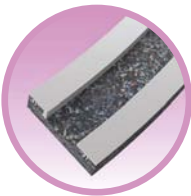
	BEVEL	TAB	MAGNETIC
Secure chain retention:	+	+++	++
Support in return part:	-	++	+
Chain can be lifted for cleaning:	++	-	+++
Jamming due to foreign particles:	+	-	++



Design and functionality:

Dual Magnetic System curves have the magnets positioned on the outside of the centre line radius of each track which results in a more effective magnetic field through the curve.

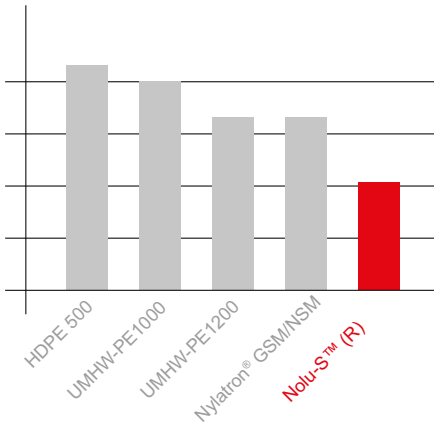
SPECIAL CURVES FOR DRY RUNNING APPLICATIONS



Nolu-S™(R) material are a unique compound of UHMWPE and a solid lubricant. They drastically reduce the coefficient of friction, maintaining the characteristics of UHMWPE. Nolu-SR material have a better thermal conductivity compared with UHMWPE.

Benefits and features of Nolu-S(R) material:

- They makes very high speeds possible, especially when running dry.
- They has an extremely low coefficient of friction.
- They reduces noise and squeaking.
- They reduces chain pull.
- They extends the life of the chain.
- They does not damage and scratch the surface of PET.
- They reduces the consumption of energy.
- They is a UHMWPE with a solid lubricant.



Coefficient of friction comparison of materials

Chains & sprockets	Wear strips	Side guide brackets & accessories	Levelers	Engineering manual
Modular belts & sprockets	Chain & belt return systems	Frame & structure supports	Bearing supports	
Curves & tracks	Side guide solutions	Miscellaneous products	Equipment	

5 0 0 0 6 a

TOPTRAC® CONCEPT / DETAILS

www.SystemPlastSmartGuide.com

i Introduction to curves. Go to: **5 0 0 0 5 a**

New

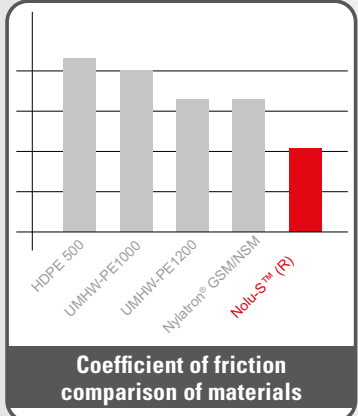
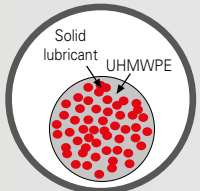
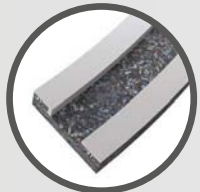
PATENTED

TOPTRAC®



INDEX CURVES GO TO:

5 0 0 1 0 a Index standard magnetic curves and TOPTRAC®

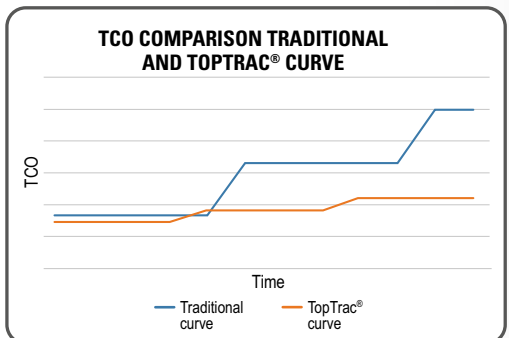


Nolu-S™(R) material are a unique compound of UHMWPE and a solid lubricant. They drastically reduce the coefficient of friction, maintaining the characteristics of UHMWPE. Nolu-SR™ material have a better thermal conductivity compared with UHMWPE.

Benefits and features of Nolu-S(R) material:

- They makes very high speeds possible, especially when running dry.
- They has an extremely low coefficient of friction.
- They reduces noise and squeaking.
- They reduces chain pull.
- They extends the life of the chain.
- They does not damage and scratch the surface of PET.
- They reduces the consumption of energy.
- They is a UHMWPE with a solid lubricant.

NYLATRON is believed to be the trademark and/or trade name of Quadrant EPP USA Inc. and is not owned or controlled by Regal Beloit Corporation.



Improves Total Cost of Ownership

- Use high grade material only where required. The base plate is made of basic material. The strips are Nolu-SR.
- When, after some years of use, the curve is due for replacement, only the strips need replacing. Cost of strips is much lower than the cost of an entire curve upperpart.
- Reduces the need of high value spare parts. Just a few strips are enough to be well prepared for maintenance jobs.

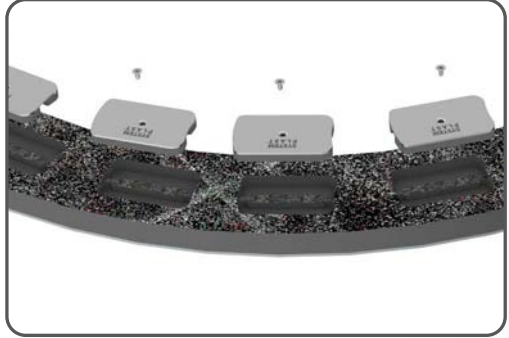


Clip-on profiles

- Replaceable Nolu-SR profiles.
- Reduced maintenance and installation time and costs.
- Independent maintenance for each track.
- Replacing the strips can be done with the curve still mounted in the conveyor. This drastically reduces the required time for replacement. Maintenance becomes quicker and easier.

For profiles, go to:

5 0 5 6 5 a



Optimized magnetic field

- Smoother chain operation and reduced risk of stick-slip effect.
- Optimized and homogenous magnetic field with pilot holes similar to standard curve offering for better interchangeability.
- Improved engineered design.
- Better product stability.
- Ferrite Magnets are now screwed into the central rib running across the magnet pocket ensuring positive locking.

Chains & sprockets	Wear strips	Side guide brackets & accessories	Levelers	Engineering manual
Modular belts & sprockets	Chain & belt return systems	Frame & structure supports	Bearing supports	
Curves & tracks	Side guide solutions	Miscellaneous products	Equipment	

5 0 0 1 0 a

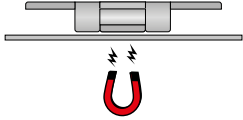
INDEX MAGNETIC CURVES

www.SystemPlastSmartGuide.com

Information about this product is only available on our Smart Guide® website.

New **TOPTRAC**
5 0 0 0 6 a

i Introduction to curves. Go to:
5 0 0 0 5 a



FOR OTHER TYPES OF CURVES AND STRAIGHT TRACKS GO TO:

5 0 0 1 0 b Index curve and straight track for tab

MAGNETIC CURVES CROSS REFERENCE

CHAIN TYPES: 879M-880M-881M / WIDTH: K325-K330

		1 1 0 6 0 a
		1 1 1 6 0 a

		1 1 0 6 0 a
		1 1 1 6 0 a

CHAIN TYPES: 880M-881M / WIDTH: K450-K750

		1 1 0 6 0 a
		1 1 1 6 0 a

CHAIN TYPES: 882M-8857M / WIDTH: K750-K1000-K1200

		1 1 2 8 0 a

CHAIN TYPES LBP: 879M-K325 & LBP 882M / WIDTH: K750-K1000-K1200

		1 1 2 8 0 a
		1 1 3 5 0 a

CHAINBELT: 2120M / WIDTH: K330

		3 0 7 2 0 a

CHAINBELTS: 2260M/ WIDTH: K330

		3 0 7 0 0 a

CHAINBELTS: 2251M / WIDTH: K330-K450

		3 0 7 0 0 a

NOMINAL WIDTH mm	PAGE
------------------	------

100	TOPTRAC 5 0 0 2 0 a
-----	-------------------------------

111	TOPTRAC 5 0 0 3 0 a
-----	-------------------------------

OTHER VERSIONS:

	TOPTRAC 5 0 0 5 0 a
--	-------------------------------

PAGE

	TOPTRAC 5 0 0 4 0 a
--	-------------------------------

PAGE

	TOPTRAC 5 0 0 6 0 a
--	-------------------------------

PAGE

	TOPTRAC 5 0 0 7 0 a
--	-------------------------------

PAGE

	5 0 0 8 0 a
--	-------------

PAGE

	TOPTRAC 5 0 0 9 1 a
--	-------------------------------

PAGE

	TOPTRAC 5 0 1 0 1 a
--	-------------------------------

CURVE TYPE	PAGE	SYSTEM PLAST REFERENCE
K1		TTM01.C/KMD01.C
K2	5 0 0 5 0 a	TTM02.B/KMD02.B
K3		TTM04.A/KMD04.A
K4	5 0 0 3 0 a	TTM05.B/KMD05.B
K5A		TTM07.B/KMD07.B
K5B		TTM06.B/KMD06.B
K5C		TTM09.C/KMD09.C
K5D	5 0 0 2 0 a	TTM10.A/KMD10.A
K6		TTM03.B / KMD03.B
K7		TTM03.A / KMD03.A
K8		TTM08.B/KMD08.B
K9	5 0 0 5 0 a	TTM62.B/KMD62.B
K10		TTM61.B/KMD61.B
K21A		TTM21.C/KMD21.C
K22A	5 0 0 4 0 a	TTM22.C/KMD22.C
K27		TTM23.A/KMD23.A
K42	5 0 0 3 0 a	TTM11.B/KMD11.B
K43		TTM12.B/KMD12.B
K61		TTM31.C/KMD31.C
K62	5 0 0 4 0 a	TTM37.A/KMD37.A
K65		TTM33.A/KMD33.A
K66		TTM32.A/KMD32.A
K80		TTM39.B/KMD39.B
K81		TTM40.B/KMD40.B
K85	5 0 0 6 0 a	TTM42.B/KMD42.B
K86		TTM41.A/KMD41.A
K93		TTM48.A/KMD48.A
K97		TTM52.A/KMD52.A
KA4		KMD26
KA6		KMD25
KA7	5 0 0 8 0 a	KMD24
KA8		KMD27
KA42		KMD28
KB4		TTM92.B/KMD92.B
KB5D		TTM96.A/KMD96.A
KB6	5 0 0 9 1 a	TTM91.B/KMD91.B
KB7		TTM90.A/KMD90.A
KB8		TTM93.B/KMD93.B
KC4		TTM86.B/KMD86.B
KC5D		TTM97.A/KMD97.A
KC6		TTM85.B/KMD85.B
KC7	5 0 1 0 1 a	TTM84.A/KMD84.A
KC8		TTM87.B/KMD87.B
KC22		TTM64.B/KMD64.B
KC27		TTM64.B/KMD66.B
LBP68C		TTM68.A/KMD68.A
LBP86C	5 0 0 7 0 a	TTM71.AC/KMD71.AC
LBP93C		TTM78.AC/KMD78.AC
LBP97C		TTM82.AC/KMD82.AC

Chains & sprockets	Wear strips	Side guide brackets & accessories	Levelers	Engineering manual
Modular belts & sprockets	Chain & belt return systems	Frame & structure supports	Bearing supports	
Curves & tracks	Side guide solutions	Miscellaneous products	Equipment	

5 0 0 1 0 b INDEX CURVES AND STRAIGHT TRACKS FOR TAB & BEVEL

www.SystemPlastSmartGuide.com



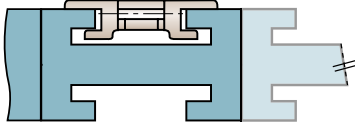
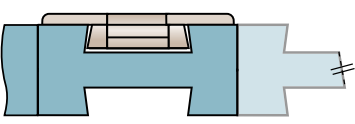



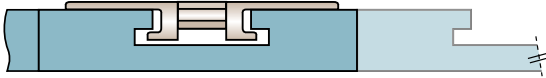

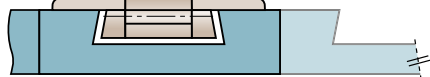

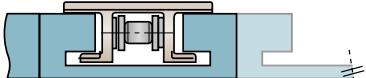

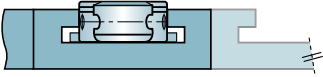

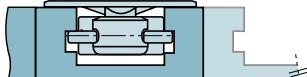

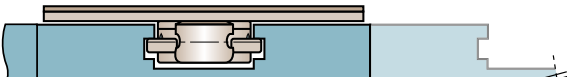

Information about this product is only available on our Smart Guide® website.

Introduction to curves. Go to: **5 0 0 0 5 a**

FOR OTHER TYPES OF CURVES GO TO:

5 0 0 1 0 a Index magnetic curves



CURVE AND STRAIGHT TRACKS FOR TAB CHAINS CHAIN TYPES: 878-879-880-8810 / WIDTH: TAB K325-330-450-750	PAGE
 	5 0 1 1 0 a
COMPACT CURVES AND STRAIGHT TRACKS FOR TAB & BEVEL CHAINS CHAIN TYPES: 878-879-880-8810-2250-2251/ WIDTH: TAB K325-330-450	PAGE
<p>TAB </p> <p>BEVEL </p> 	5 0 1 2 0 a
CURVES AND STRAIGHT TRACKS FOR BEVEL CHAINS CHAIN TYPES: 879-880-8810 / WIDTH: K325-350-450-750	PAGE
 	5 0 1 3 0 a
CURVES AND STRAIGHT TRACKS FOR TAB CHAINS CHAIN TYPES: 882 TAB / WIDTH: K450-750-1000-1200	PAGE
 	5 0 1 4 0 a
CURVES AND STRAIGHT TRACKS FOR BEVEL CHAINS CHAIN TYPES: 882 / WIDTH: K450-750-1200	PAGE
 	5 0 1 5 0 a
CURVES AND STRAIGHT TRACKS FOR TAB CHAINS CHAIN TYPES: 1863-1873-1874	PAGE
 	5 0 1 6 0 a
CURVES FOR MULTIFLEX TAB CHAINS	PAGE
 	5 0 1 7 0 a
 	5 0 1 7 0 a
CURVES FOR MULTIFLEX CHAINS WITH TOP PLATES	PAGE
 	5 0 1 8 0 a

Chains & sprockets	Wear strips	Side guide brackets & accessories	Levelers	Engineering manual
Modular belts & sprockets	Chain & belt return systems	Frame & structure supports	Bearing supports	
Curves & tracks	Side guide solutions	Miscellaneous products	Equipment	

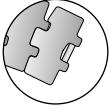
50020a

MAGNETIC CURVES FOR CHAINS 879M-880M-881M / K325-K330

RADIUS 500-590-680-750-860-1000 / BASIC WIDTH: 100

For general index, go to:

50010a



For stainless steel magnetic chains, type: **881 M - 881 MO**

Go to:

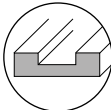
11060a



For plastic magnetic chains, type: **879 M - 880 M**

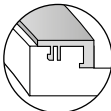
Go to:

11220a



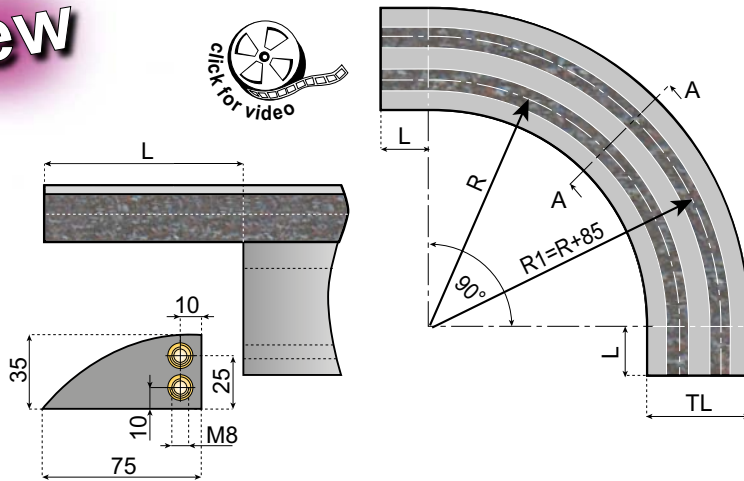
For straight curve go to:

50140a

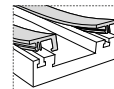


For type curve: **K5B**

New



Introduction to curves. Go to: **50005a**

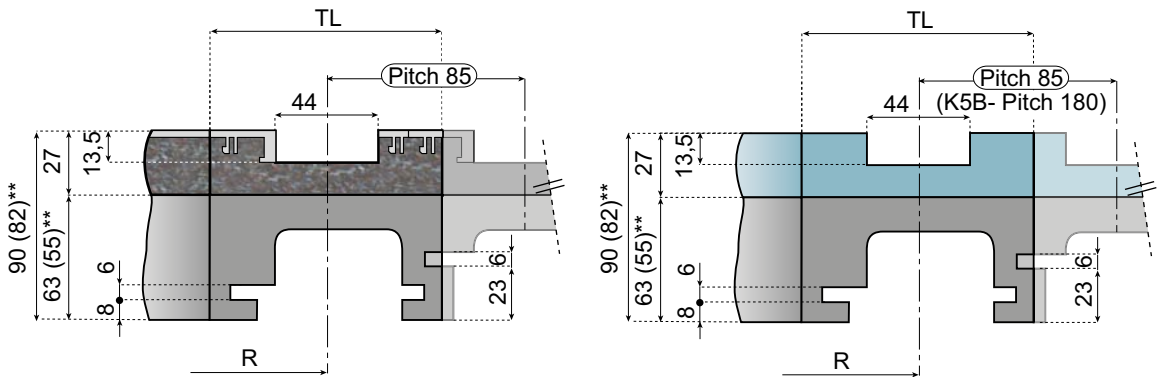


Replacement **50565a**

TOPTRAC®

- Replaceable wearstrips
- Lowest coefficient of friction

50006a



**Dimensions (...) are for 1 - Track version series K5A-K5C-K5D-K7-K8 and 2 Track version K5B.

TRACKS NR.	TL	TYPE CURVE	R	L	TOPTRAC®			STANDARD		
					ITEM DESCRIPTION			ITEM DESCRIPTION		
					30°	45°	90°	30°	45°	90°
					PLATE: K325/K330-WIDTH: 82,5/83,8 mm					
1	100	K7	500	0	TTM03-30-01A	TTM03-45-01A	TTM03-90-01A	KMD03-30-01A	KMD03-45-01A	KMD03-90-01A
2	185				TTM03-30-02A	TTM03-45-02A	TTM03-90-02A	KMD03-30-02A	KMD03-45-02A	KMD03-90-02A
3	270				TTM03-30-03A	TTM03-45-03A	TTM03-90-03A	KMD03-30-03A	KMD03-45-03A	KMD03-90-03A
4	355				TTM03-30-04A	TTM03-45-04A	TTM03-90-04A	KMD03-30-04A	KMD03-45-04A	KMD03-90-04A
5	440				TTM03-30-05A	TTM03-45-05A	TTM03-90-05A	KMD03-30-05A	KMD03-45-05A	KMD03-90-05A
6	525				TTM03-30-06A	TTM03-45-06A	TTM03-90-06A	KMD03-30-06A	KMD03-45-06A	KMD03-90-06A
7	610				TTM03-30-07A	TTM03-45-07A	TTM03-90-07A	KMD03-30-07A	KMD03-45-07A	KMD03-90-07A
8	695				TTM03-30-08A	TTM03-45-08A	TTM03-90-08A	KMD03-30-08A	KMD03-45-08A	KMD03-90-08A
1	100	K6	500	100	TTM03-30-01B	TTM03-45-01B	TTM03-90-01B	KMD03-30-01B	KMD03-45-01B	KMD03-90-01B
2	185				TTM03-30-02B	TTM03-45-02B	TTM03-90-02B	KMD03-30-02B	KMD03-45-02B	KMD03-90-02B
3	270				TTM03-30-03B	TTM03-45-03B	TTM03-90-03B	KMD03-30-03B	KMD03-45-03B	KMD03-90-03B
4	355				TTM03-30-04B	TTM03-45-04B	TTM03-90-04B	KMD03-30-04B	KMD03-45-04B	KMD03-90-04B
5	440				TTM03-30-05B	TTM03-45-05B	TTM03-90-05B	KMD03-30-05B	KMD03-45-05B	KMD03-90-05B
6	525				TTM03-30-06B	TTM03-45-06B	TTM03-90-06B	KMD03-30-06B	KMD03-45-06B	KMD03-90-06B
7	610				TTM03-30-07B	TTM03-45-07B	TTM03-90-07B	KMD03-30-07B	KMD03-45-07B	KMD03-90-07B
8	695				TTM03-30-08B	TTM03-45-08B	TTM03-90-08B	KMD03-30-08B	KMD03-45-08B	KMD03-90-08B
2	280	K5B	590	100	TTM06-30-02B	TTM06-45-02B	TTM06-90-02B	KMD06-30-02B	KMD06-45-02B	KMD06-90-02B
1	100	K5A	680	100	TTM07-30-01B	TTM07-45-01B	TTM07-90-01B	KMD07-30-01B	KMD07-45-01B	KMD07-90-01B
1	100	K8	750	100	TTM08-30-01B	TTM08-45-01B	TTM08-90-01B	KMD08-30-01B	KMD08-45-01B	KMD08-90-01B
1	100	K5C	860	125	TTM09-30-01C	TTM09-45-01C	TTM09-90-01C	KMD09-30-01C	KMD09-45-01C	KMD09-90-01C
1	100	K5D	1000	0	TTM10-30-01A	TTM10-45-01A	TTM10-90-01A	KMD10-30-01A	KMD10-45-01A	KMD10-90-01A

• More tracks and different angles available on request.

Chains & sprockets	Wear strips	Side guide brackets & accessories	Levelers	Engineering manual
Modular belts & sprockets	Chain & belt return systems	Frame & structure supports	Bearing supports	
Curves & tracks	Side guide solutions	Miscellaneous products	Equipment	

50030a

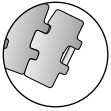
MAGNETIC CURVES FOR CHAINS 879M-880M-881M / K325-K330

RADIUS 500-750-1000 / BASIC WIDTH: 111

For general index, go to:

50010a

New



For stainless steel magnetic chains, type: **881 M - 881 MO**

Go to:

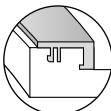
11060a



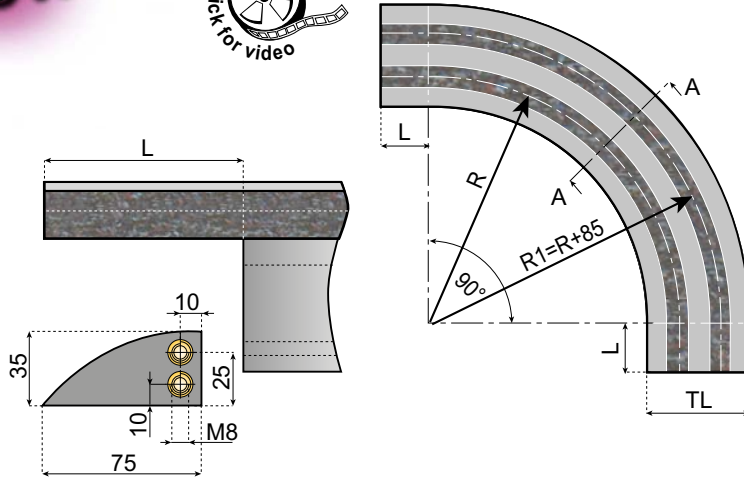
For plastic magnetic chains, type: **879 M - 880 M**

Go to:

11220a



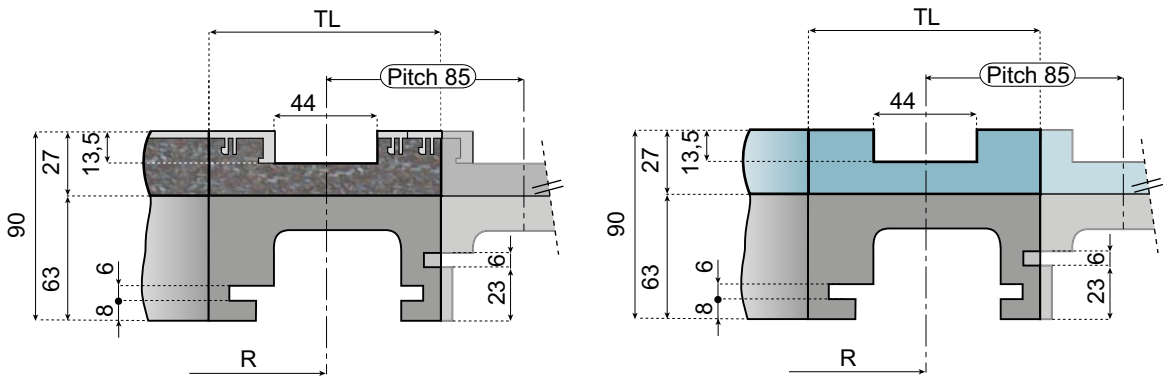
For type curve: **K4 - K42 - K43**



i Introduction to curves. Go to: **50005a**

Replacement **50565a**

TOPTRAC
- Replaceable wearstrips
- Lowest coefficient of friction
50006a



TRACKS NR.	TL	TYPE CURVE	R	L	TOPTRAC®			STANDARD		
					ITEM DESCRIPTION			ITEM DESCRIPTION		
					30°	45°	90°	30°	45°	90°
					PLATE: K325/K330-WIDTH: 82,5/83,8 mm			PLATE: K325/K330-WIDTH: 82,5/83,8 mm		
1	111	K4	500	100	TTM05-30-01B	TTM05-45-01B	TTM05-90-01B	KMD05-30-01B	KMD05-45-01B	KMD05-90-01B
2	196				TTM05-30-02B	TTM05-45-02B	TTM05-90-02B	KMD05-30-02B	KMD05-45-02B	KMD05-90-02B
3	281				TTM05-30-03B	TTM05-45-03B	TTM05-90-03B	KMD05-30-03B	KMD05-45-03B	KMD05-90-03B
4	366				TTM05-30-04B	TTM05-45-04B	TTM05-90-04B	KMD05-30-04B	KMD05-45-04B	KMD05-90-04B
5	451				TTM05-30-05B	TTM05-45-05B	TTM05-90-05B	KMD05-30-05B	KMD05-45-05B	KMD05-90-05B
6	536				TTM05-30-06B	TTM05-45-06B	TTM05-90-06B	KMD05-30-06B	KMD05-45-06B	KMD05-90-06B
7	621				TTM05-30-07B	TTM05-45-07B	TTM05-90-07B	KMD05-30-07B	KMD05-45-07B	KMD05-90-07B
8	706				TTM05-30-08B	TTM05-45-08B	TTM05-90-08B	KMD05-30-08B	KMD05-45-08B	KMD05-90-08B
1	111	K42	750	100	TTM11-30-01B	TTM11-45-01B	TTM11-90-01B	KMD11-30-01B	KMD11-45-01B	KMD11-90-01B
2	196				TTM11-30-02B	TTM11-45-02B	TTM11-90-02B	KMD11-30-02B	KMD11-45-02B	KMD11-90-02B
3	281				TTM11-30-03B	TTM11-45-03B	TTM11-90-03B	KMD11-30-03B	KMD11-45-03B	KMD11-90-03B
1	111	K43	1000	100	TTM12-30-01B	TTM12-45-01B	TTM12-90-01B	KMD12-30-01B	KMD12-45-01B	KMD12-90-01B

• More tracks and different angles available on request.

Chains & sprockets	Wear strips	Side guide brackets & accessories	Levelers	Engineering manual
Modular belts & sprockets	Chain & belt return systems	Frame & structure supports	Bearing supports	
Curves & tracks	Side guide solutions	Miscellaneous products	Equipment	

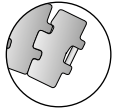
50040a

MAGNETIC CURVES FOR CHAINS 879M-880M-881M/K450

RADIUS 500-610

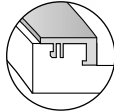
For general index, go to:

50010a



For stainless steel magnetic chains, type: **881 M - 881 MO** K450
Go to:

11060a



For type curve: **K27-K21A-K22A**



For plastic magnetic chains, type: **879 M - 880 M** K450
Go to:

11220a

New



Introduction to curves. Go to:

50005a



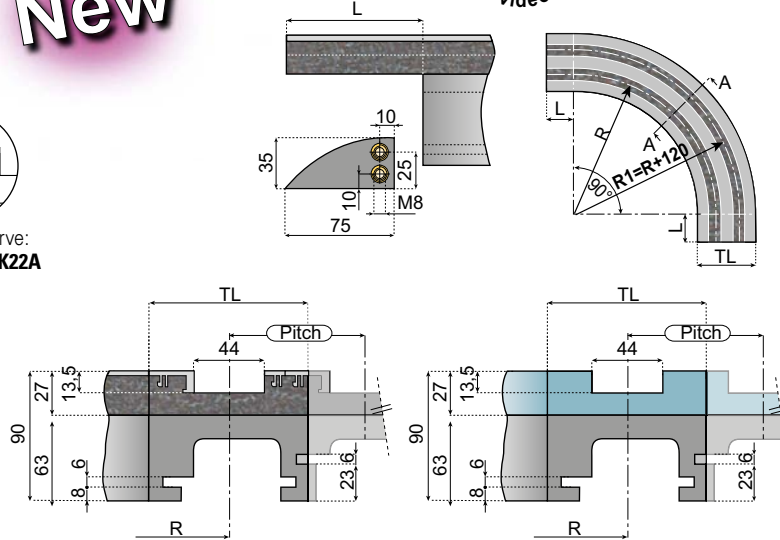
Replacement

50565a

TOPTRAC®

- Replaceable wearstrips
- Lowest coefficient of friction

50006a

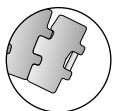


TRACKS NR.	TL	TYPE CURVE	R	L	PITCH	TOPTRAC®			STANDARD		
						ITEM DESCRIPTION			ITEM DESCRIPTION		
						30°	45°	90°	30°	45°	90°
						PLATE: K450-WIDTH: 114,3 mm					
1	129	K27	610	0	117	TTM23-30-01A	TTM23-45-01A	TTM23-90-01A	KMD23-30-01A	KMD23-45-01A	KMD23-90-01A
2	246			0		-	-	-	KMD23-30-02A	KMD23-45-02A	KMD23-90-02A
1	129	K21A	500	125	120	TTM21-30-01C	TTM21-45-01C	TTM21-90-01C	KMD21-30-01C	KMD21-45-01C	KMD21-90-01C
1	129	K22A	610	125	120	TTM22-30-01C	TTM22-45-01C	TTM22-90-01C	KMD22-30-01C	KMD22-45-01C	KMD22-90-01C

• More tracks and different angles available on request.

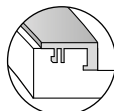
MAGNETIC CURVES FOR CHAINS 879M-880M-881M/K750

RADIUS 610-750-860-1000



For stainless steel magnetic chains, type: **881 M - 881 MO** K750
Go to:

11060a

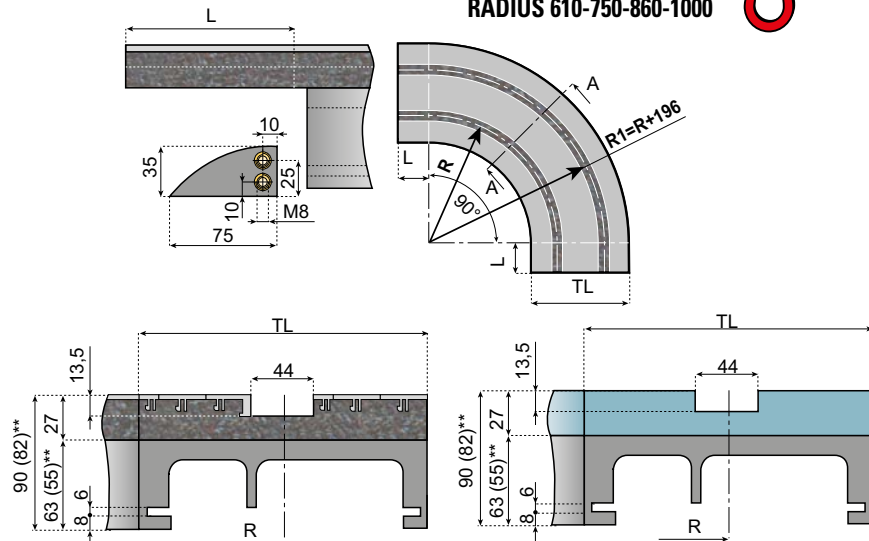


For type curve: **K61-K62-K66-K65**



For plastic magnetic chains, type: **879 M - 880 M** K750
Go to:

11220a



**Dimensions (...) are for 1 - Track version series K62-K65-K66.

TRACKS NR.	TL	TYPE CURVE	R	L	TOPTRAC®			STANDARD		
					ITEM DESCRIPTION			ITEM DESCRIPTION		
					30°	45°	90°	30°	45°	90°
					PLATE: K750-WIDTH: 190,5 mm					
1	214	K61	610	125	TTM31-30-01C	TTM31-45-01C	TTM31-90-01C	KMD31-30-01C	KMD31-45-01C	KMD31-90-01C
1	214	K62**	750	0	TTM37-30-01A	TTM37-45-01A	TTM37-90-01A	KMD37-30-01A	KMD37-45-01A	KMD37-90-01A
1	214	K66**	860	0	TTM32-30-01A	TTM32-45-01A	TTM32-90-01A	KMD32-30-01A	KMD32-45-01A	KMD32-90-01A
1	214	K65**	1000	0	TTM33-30-01A	TTM33-45-01A	TTM33-90-01A	KMD33-30-01A	KMD33-45-01A	KMD33-90-01A

• More tracks and different angles available on request.

Chains & sprockets	Wear strips	Side guide brackets & accessories	Levelers	Engineering manual
Modular belts & sprockets	Chain & belt return systems	Frame & structure supports	Bearing supports	
Curves & tracks	Side guide solutions	Miscellaneous products	Equipment	

5 0 0 5 0 a

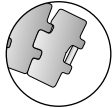
MAGNETIC CURVES FOR CHAINS 879M/880M/881M-K325-330

RADIUS 500-750 / OTHER VERSIONS

For general index, go to:

5 0 0 1 0 a

New



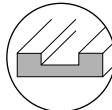
For stainless steel magnetic chains, type: **881 M - 881 MO**, go to:

1 1 0 6 0 a



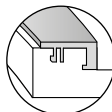
For plastic magnetic chains, type: **879 M - 880 M**, go to:

1 1 2 2 0 a

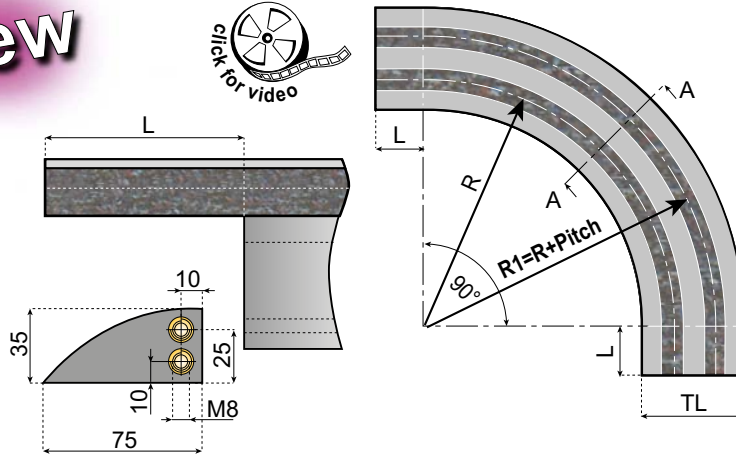


For straight curve go to:

5 0 1 4 0 a



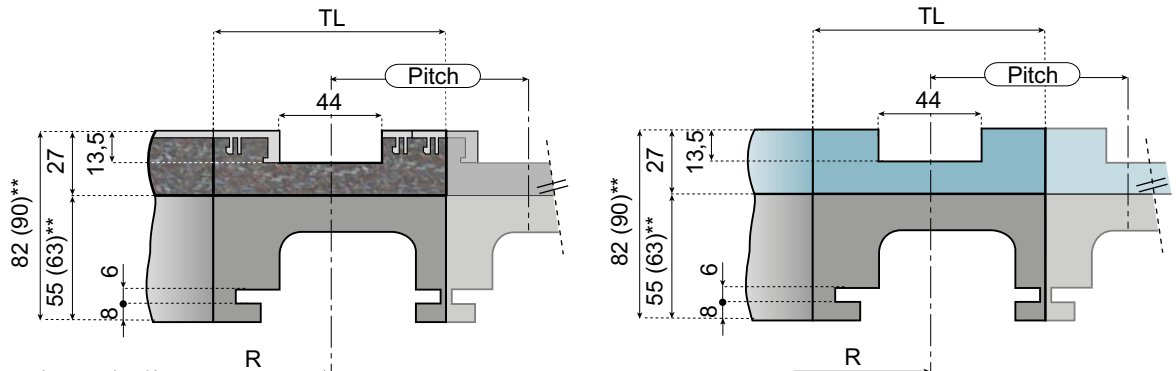
For type curve: **K3 - K9 - K10**



i Introduction to curves. Go to: **5 0 0 0 5 a**

Replacement **5 0 5 6 5 a**

TOPTRAC
- Replaceable wearstrips
- Lowest coefficient of friction
5 0 0 0 6 a



**Dimensions (...) are for all versions series K10.

TRACKS NR.	TL	TYPE CURVE	R	L	PITCH	TOPTRAC®			STANDARD		
						ITEM DESCRIPTION			ITEM DESCRIPTION		
						30°	45°	90°	30°	45°	90°
						PLATE: K325/K330-WIDTH: 82,5/83,8 mm					
1	100	K1	500	125	89	TTM01-30-01C	TTM01-45-01C	TTM01-90-01C	KMD01-30-01C	KMD01-45-01C	KMD01-90-01C
2	189					-	-	-	KMD01-30-02C	KMD01-45-02C	KMD01-90-02C
3	278					-	-	-	KMD01-30-03C	KMD01-45-03C	KMD01-90-03C
4	367					-	-	-	KMD01-30-04C	KMD01-45-04C	KMD01-90-04C
5	456					-	-	-	KMD01-30-05C	KMD01-45-05C	KMD01-90-05C
6	545					-	-	-	KMD01-30-06C	KMD01-45-06C	KMD01-90-06C
1	100	K2	500	100	90	TTM02-30-01B	TTM02-45-01B	TTM02-90-01B	KMD02-30-01B	KMD02-45-01B	KMD02-90-01B
2	190					-	-	-	KMD02-30-02B	KMD02-45-02B	KMD02-90-02B
3	280					-	-	-	KMD02-30-03B	KMD02-45-03B	KMD02-90-03B
4	370					-	-	-	KMD02-30-04B	KMD02-45-04B	KMD02-90-04B
5	460					-	-	-	KMD02-30-05B	KMD02-45-05B	KMD02-90-05B
6	550					-	-	-	KMD02-30-06B	KMD02-45-06B	KMD02-90-06B
1	110	K10**	500	100	85	TTM61-30-01B	TTM61-45-01B	TTM61-90-01B	KMD61-30-01B	KMD61-45-01B	KMD61-90-01B
2	195					TTM61-30-02B	TTM61-45-02B	TTM61-90-02B	KMD61-30-02B	KMD61-45-02B	KMD61-90-02B
3	280					TTM61-30-03B	TTM61-45-03B	TTM61-90-03B	KMD61-30-03B	KMD61-45-03B	KMD61-90-03B
4	365					TTM61-30-04B	TTM61-45-04B	TTM61-90-04B	KMD61-30-04B	KMD61-45-04B	KMD61-90-04B
5	450					TTM61-30-05B	TTM61-45-05B	TTM61-90-05B	KMD61-30-05B	KMD61-45-05B	KMD61-90-05B
6	535					TTM61-30-06B	TTM61-45-06B	TTM61-90-06B	KMD61-30-06B	KMD61-45-06B	KMD61-90-06B
7	620					TTM61-30-07B	TTM61-45-07B	TTM61-90-07B	KMD61-30-07B	KMD61-45-07B	KMD61-90-07B
8	705					TTM61-30-08B	TTM61-45-08B	TTM61-90-08B	KMD61-30-08B	KMD61-45-08B	KMD61-90-08B
1	110	K3	500	0	90	TTM04-30-01A	TTM04-45-01A	TTM04-90-01A	KMD04-30-01A	KMD04-45-01A	KMD04-90-01A
2	200					-	-	-	KMD04-30-02A	KMD04-45-02A	KMD04-90-02A
1	110	K9	750	100	90	TTM62-30-01B	TTM62-45-01B	TTM62-90-01B	KMD62-30-01B	KMD62-45-01B	KMD62-90-01B

• More tracks and different angles available on request.

Chains & sprockets	Wear strips	Side guide brackets & accessories	Levelers	Engineering manual
Modular belts & sprockets	Chain & belt return systems	Frame & structure supports	Bearing supports	
Curves & tracks	Side guide solutions	Miscellaneous products	Equipment	

5 0 0 6 0 a

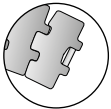
MAGNETIC CURVES FOR CHAINS 882M-8857M/K750-K1000-K1200

RADIUS 500-750-1000 / OTHER VERSIONS

For general index, go to:

5 0 0 1 0 a

New



For stainless steel magnetic chains, type: **8857M**

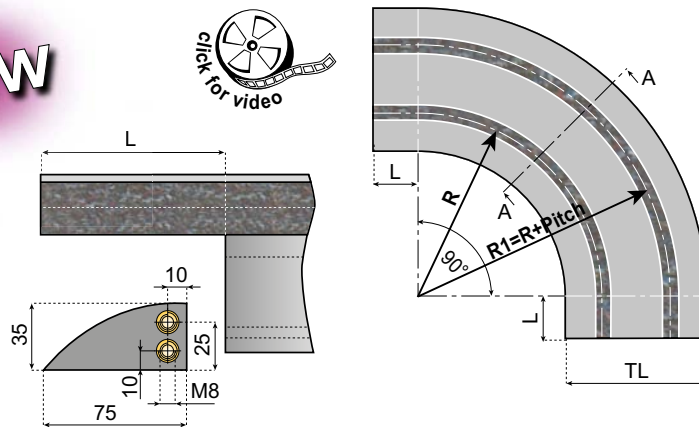
Go to:

1 1 1 1 0 a

8857M VG

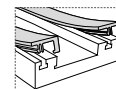
Go to:

1 1 1 6 0 a



Introduction to curves. Go to:

5 0 0 0 5 a



Replacement

5 0 5 6 5 a

TOPTRAC®

- Replaceable wearstrips
- Lowest coefficient of friction

5 0 0 0 6 a



For plastic magnetic chains, type:

882M

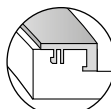
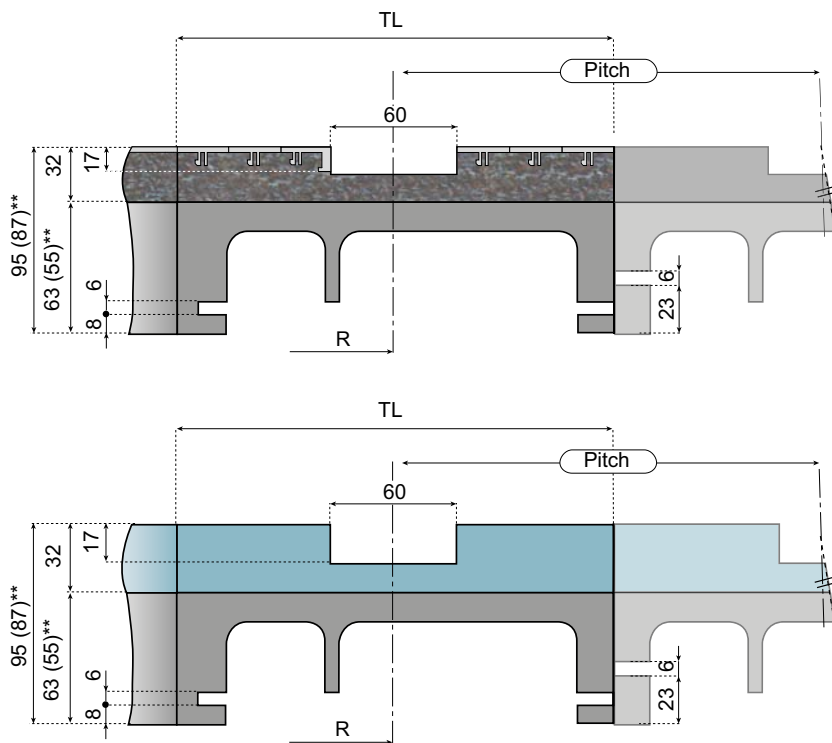
Go to:

1 1 2 8 0 a

882 M VG

Go to:

1 1 4 0 0 a



For type curve: **K86-K93-K97**

* **K81-only suitable for thermoplastic chains.**

** Dimensions (...) are for 1 -Track version series K80-K85-K86.

TRACKS NR.	TL	TYPE CURVE	R	L	PITCH	TOPTRAC®			STANDARD		
						ITEM DESCRIPTION			ITEM DESCRIPTION		
						30°	45°	90°	30°	45°	90°
						PLATE: K750-WIDTH: 190,5 mm			PLATE: K750-WIDTH: 190,5 mm		
1	200	K81*	610	100	195	TTM40-30-01B	TTM40-45-01B	TTM40-90-01B	KMD40-30-01B	KMD40-45-01B	KMD40-90-01B
2	395					-	-	-	KMD40-30-02B	KMD40-45-02B	KMD40-90-02B
1	200	K85**	750	100	195	TTM42-30-01B	TTM42-45-01B	TTM42-90-01B	KMD42-30-01B	KMD42-45-01B	KMD42-90-01B
2	395					-	-	-	KMD42-30-02B	KMD42-45-02B	KMD42-90-02B
1	214	K86**	860	0	200	TTM41-30-01A	TTM41-45-01A	TTM41-90-01A	KMD41-30-01A	KMD41-45-01A	KMD41-90-01A
2	414					-	-	-	KMD41-30-02A	KMD41-45-02A	KMD41-90-02A
1	200	K80**	1000	100	195	TTM39-30-01B	TTM39-45-01B	TTM39-90-01B	KMD39-30-01B	KMD39-45-01B	KMD39-90-01B
						PLATE: K1000-WIDTH: 254 mm			PLATE: K1000-WIDTH: 254 mm		
1	270	K93	860	0	-	TTM48-30-01A	TTM48-45-01A	TTM48-90-01A	KMD48-30-01A	KMD48-45-01A	KMD48-90-01A
						PLATE: K1200-WIDTH: 304,8 mm			PLATE: K1200-WIDTH: 304,8 mm		
1	320	K97	860	0	-	TTM52-30-01A	TTM52-45-01A	TTM52-90-01A	KMD52-30-01A	KMD52-45-01A	KMD52-90-01A

• More tracks and different angles available on request.

Chains & sprockets	Wear strips	Side guide brackets & accessories	Levelers	Engineering manual
Modular belts & sprockets	Chain & belt return systems	Frame & structure supports	Bearing supports	
Curves & tracks	Side guide solutions	Miscellaneous products	Equipment	

50070a

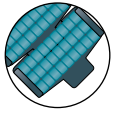
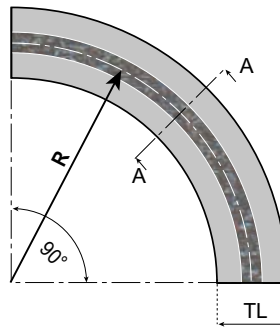
MAGNETIC CURVES FOR CHAINS LBP 879M / K325

RADIUS 500 / OTHER VERSIONS

For general index, go to:

50010a

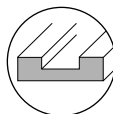
New



For plastic magnetic chains, type: **LBP 879 M**

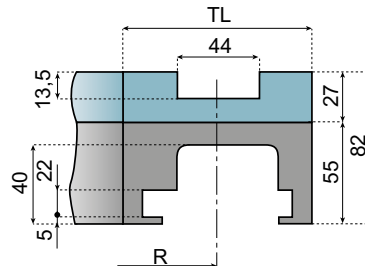
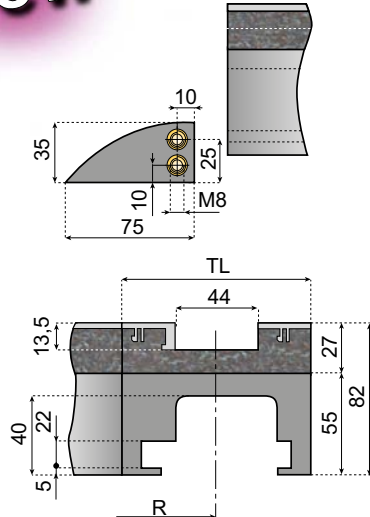
Go to:

11350a



For straight curve go to:

50140a



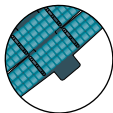
i Introduction to curves. Go to: **50005a**

Replacement **50565a**

TOPTRAC
- Replaceable wearstrips
- Lowest coefficient of friction
50006a

TRACKS NR.	TL	TYPE CURVE	R	TOPTRAC®			STANDARD		
				ITEM DESCRIPTION			ITEM DESCRIPTION		
				30°	45°	90°	30°	45°	90°
				PLATE: K325/K330-WIDTH: 82,5/83,8 mm			PLATE: K325/K330-WIDTH: 82,5/83,8 mm		
1	100	LBP68C	500	TTM68-30-01A	TTM68-45-01A	TTM68-90-01A	KMD68-30-01A	KMD68-45-01A	KMD68-90-01A

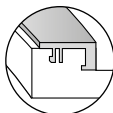
MAGNETIC CURVES FOR CHAIN LBP 882M / K750-1000-1200



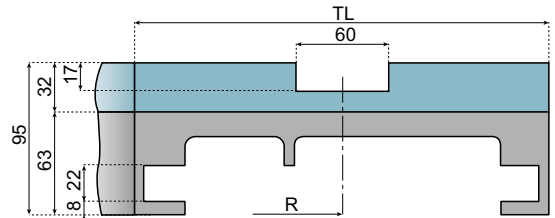
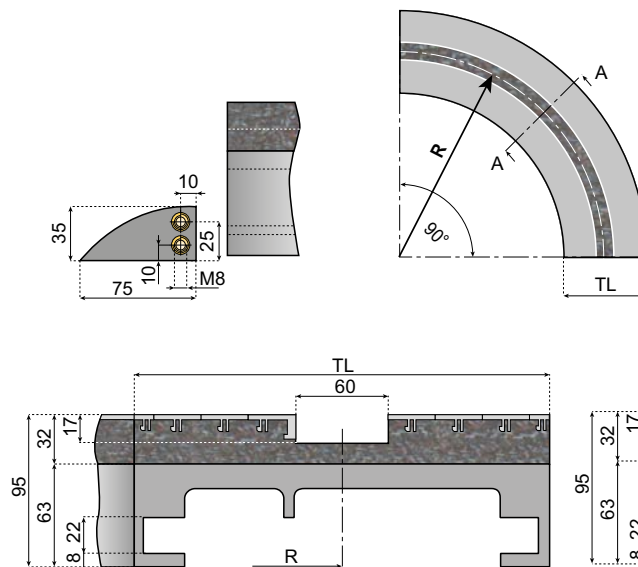
For plastic magnetic chains, type: **882M**

Go to:

11360a



For type curve: **LBP86C-LBP93C LBP97C**



TRACKS NR.	TL	TYPE CURVE	R	TOPTRAC®			STANDARD		
				ITEM DESCRIPTION			ITEM DESCRIPTION		
				30°	45°	90°	30°	45°	90°
				PLATE: K750-WIDTH: 190,5 mm			PLATE: K750-WIDTH: 190,5 mm		
1	214	LBP86C	860	TTM71-30-01AC	TTM71-45-01AC	TTM71-90-01AC	KMD71-30-01AC	KMD71-45-01AC	KMD71-90-01AC
				PLATE: K1000-WIDTH: 254 mm			PLATE: K1000-WIDTH: 254 mm		
1	270	LBP93C	860	TTM78-30-01AC	TTM78-45-01AC	TTM78-90-01AC	KMD78-30-01AC	KMD78-45-01AC	KMD78-90-01AC
				PLATE: K1200-WIDTH: 304,8 mm			PLATE: K1200-WIDTH: 304,8 mm		
1	320	LBP97C	860	TTM82-30-01AC	TTM82-45-01AC	TTM82-90-01AC	KMD82-30-01AC	KMD82-45-01AC	KMD82-90-01AC

• More tracks and different angles available on request.

Chains & sprockets	Wear strips	Side guide brackets & accessories	Levelers	Engineering manual
Modular belts & sprockets	Chain & belt return systems	Frame & structure supports	Bearing supports	
Curves & tracks	Side guide solutions	Miscellaneous products	Equipment	

5 0 0 8 0 a

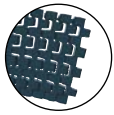
MAGNETIC CURVES FOR CHAINBELT SERIES 2120M / K330

RADIUS 500-750-1000 / BASIC WIDTHS: 100 AND 111

www.SystemPlastSmartGuide.com

For general index, go to:

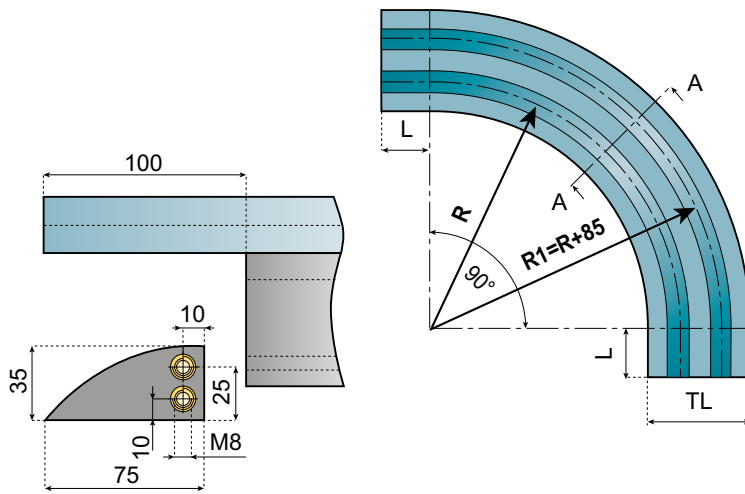
5 0 0 1 0 a



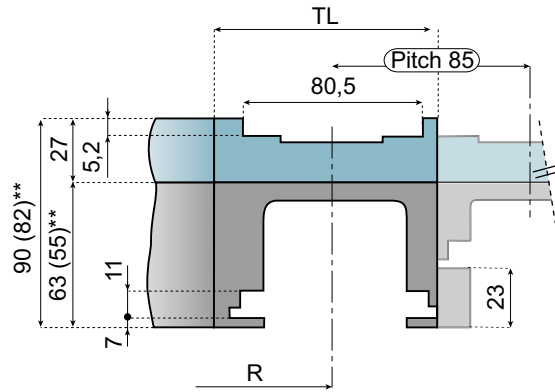
For sideflexing belts, type: **2120 M**

Go to:

3 0 7 2 0 a



Introduction to curves. Go to: **5 0 0 0 5 a**



**Dimensions (...) are valid for the 1 Track version of curve type KA7.

TRACKS NR.	TL	TYPE CURVE	R	L	30° ITEM DESCRIPTION	45° ITEM DESCRIPTION	90° ITEM DESCRIPTION
PLATE: K325/K330-WIDTH: 82,5/83,8 mm							
1	100	KA7**	500	0	KMD24-30-01A	KMD24-45-01A	KMD24-90-01A
2	185				KMD24-30-02A	KMD24-45-02A	KMD24-90-02A
3	270				KMD24-30-03A	KMD24-45-03A	KMD24-90-03A
4	355				KMD24-30-04A	KMD24-45-04A	KMD24-90-04A
1	100	KA6	500	100	KMD25-30-01B	KMD25-45-01B	KMD25-90-01B
2	185				KMD25-30-02B	KMD25-45-02B	KMD25-90-02B
3	270				KMD25-30-03B	KMD25-45-03B	KMD25-90-03B
4	355				KMD25-30-04B	KMD25-45-04B	KMD25-90-04B
5	440				KMD25-30-05B	KMD25-45-05B	KMD25-90-05B
6	525				KMD25-30-06B	KMD25-45-06B	KMD25-90-06B
1	100	KA8	750	100	KMD27-30-01B	KMD27-45-01B	KMD27-90-01B
2	185				KMD27-30-02B	KMD27-45-02B	KMD27-90-02B
1	111	KA4	500	100	KMD26-30-01B	KMD26-45-01B	KMD26-90-01B
2	196				KMD26-30-02B	KMD26-45-02B	KMD26-90-02B
1	111	KA42	750	100	KMD28-30-01B	KMD28-45-01B	KMD28-90-01B

• More tracks and different angles available on request.

Chains & sprockets	Wear strips	Side guide brackets & accessories	Levelers	Engineering manual
Modular belts & sprockets	Chain & belt return systems	Frame & structure supports	Bearing supports	
Curves & tracks	Side guide solutions	Miscellaneous products	Equipment	

50091a

MAGNETIC CURVES CHAINBELT 2260M / K330

RADIUS 500-750-1000

www.SystemPlastSmartGuide.com

For general index, go to:

50010a

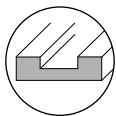
New



For sideflexing chainbelts, type: **2260M**

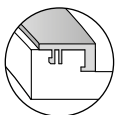
Go to:

30700a

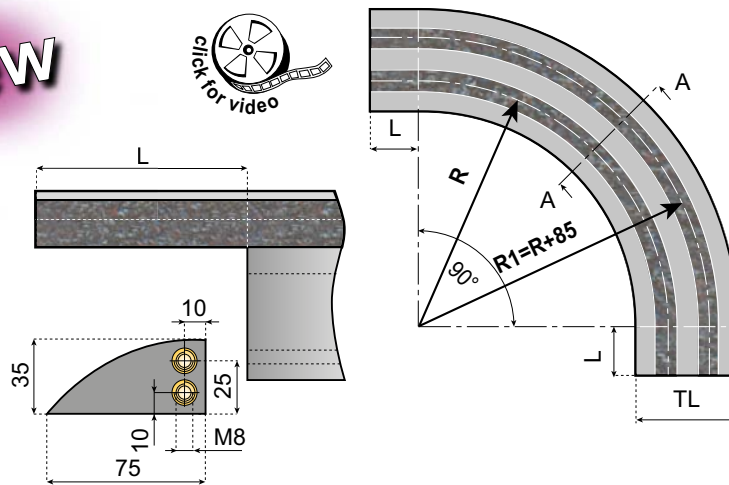


For straight curve go to:

50140a



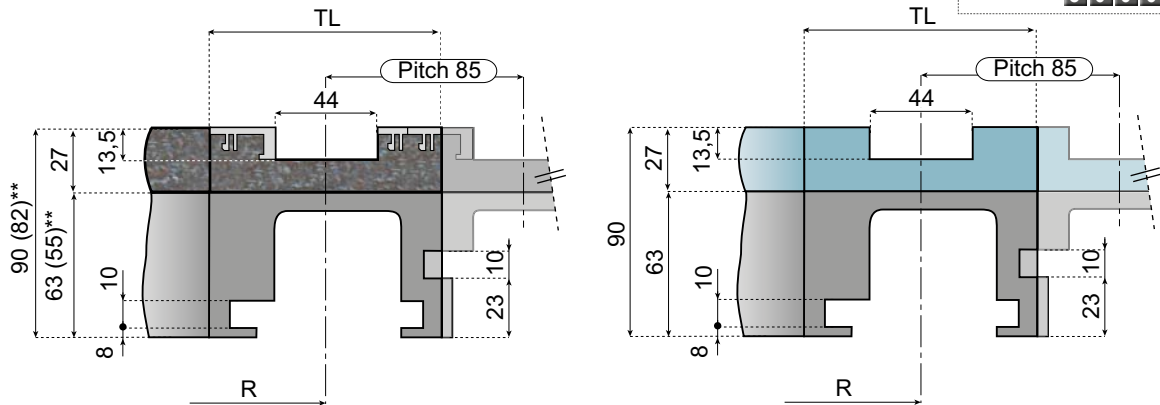
For type curve: **KB4**



i Introduction to curves. Go to: **50005a**

Replacement **50565a**

TOPTRAC®
- Replaceable wearstrips
- Lowest coefficient of friction
50006a



**Dimensions (...) are for 1 - Track version serie KB7.

TRACKS NR.	TL	TYPE CURVE	R	L	TOPTRAC®			STANDARD		
					ITEM DESCRIPTION			ITEM DESCRIPTION		
					30°	45°	90°	30°	45°	90°
					PLATE: K330-WIDTH: 83,8 mm P=85			PLATE: K330-WIDTH: 83,8 mm P=85		
1	100	KB7**	500	0	TTM90-30-01A	TTM90-45-01A	TTM90-90-01A	KMD90-30-01A	KMD90-45-01A	KMD90-90-01A
2	185				TTM90-30-02A	TTM90-45-02A	TTM90-90-02A	KMD90-30-02A	KMD90-45-02A	KMD90-90-02A
3	270				TTM90-30-03A	TTM90-45-03A	TTM90-90-03A	KMD90-30-03A	KMD90-45-03A	KMD90-90-03A
4	355				TTM90-30-04A	TTM90-45-04A	TTM90-90-04A	KMD90-30-04A	KMD90-45-04A	KMD90-90-04A
5	440				TTM90-30-05A	TTM90-45-05A	TTM90-90-05A	KMD90-30-05A	KMD90-45-05A	KMD90-90-05A
6	525				TTM90-30-06A	TTM90-45-06A	TTM90-90-06A	KMD90-30-06A	KMD90-45-06A	KMD90-90-06A
1	100	KB6	500	100	TTM91-30-01B	TTM91-45-01B	TTM91-90-01B	KMD91-30-01B	KMD91-45-01B	KMD91-90-01B
2	185				TTM91-30-02B	TTM91-45-02B	TTM91-90-02B	KMD91-30-02B	KMD91-45-02B	KMD91-90-02B
3	270				TTM91-30-03B	TTM91-45-03B	TTM91-90-03B	KMD91-30-03B	KMD91-45-03B	KMD91-90-03B
4	355				TTM91-30-04B	TTM91-45-04B	TTM91-90-04B	KMD91-30-04B	KMD91-45-04B	KMD91-90-04B
5	440				TTM91-30-05B	TTM91-45-05B	TTM91-90-05B	KMD91-30-05B	KMD91-45-05B	KMD91-90-05B
6	525				TTM91-30-06B	TTM91-45-06B	TTM91-90-06B	KMD91-30-06B	KMD91-45-06B	KMD91-90-06B
7	610				TTM91-30-07B	TTM91-45-07B	TTM91-90-07B	KMD91-30-07B	KMD91-45-07B	KMD91-90-07B
8	695				TTM91-30-08B	TTM91-45-08B	TTM91-90-08B	KMD91-30-08B	KMD91-45-08B	KMD91-90-08B
1	100	KB8	750	100	TTM93-30-01B	TTM93-45-01B	TTM93-90-01B	KMD93-30-01B	KMD93-45-01B	KMD93-90-01B
2	185				TTM93-30-02B	TTM93-45-02B	TTM93-90-02B	KMD93-30-02B	KMD93-45-02B	KMD93-90-02B
1	111	KB4	500	100	TTM92-30-01B	TTM92-45-01B	TTM92-90-01B	KMD92-30-01B	KMD92-45-01B	KMD92-90-01B
2	196				TTM92-30-02B	TTM92-45-02B	TTM92-90-02B	KMD92-30-02B	KMD92-45-02B	KMD92-90-02B
3	281				TTM92-30-03B	TTM92-45-03B	TTM92-90-03B	KMD92-30-03B	KMD92-45-03B	KMD92-90-03B
4	366				TTM92-30-04B	TTM92-45-04B	TTM92-90-04B	KMD92-30-04B	KMD92-45-04B	KMD92-90-04B
1	100	KB5D	1000	0	TTM96-30-01A	TTM96-45-01A	TTM96-90-01A	KMD96-30-01A	KMD96-45-01A	KMD96-90-01A

• More tracks and different angles available on request.

Chains & sprockets	Wear strips	Side guide brackets & accessories	Levelers	Engineering manual
Modular belts & sprockets	Chain & belt return systems	Frame & structure supports	Bearing supports	
Curves & tracks	Side guide solutions	Miscellaneous products	Equipment	

5 0 1 0 1 a

MAGNETIC CURVES FOR CHAINBELT 2251M / K330-450

RADIUS 500-610-750-1000 / BASIC WIDTH: 100, 111 AND 129

For general index, go to:

5 0 0 1 0 a

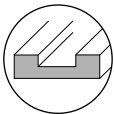
New



For sideflexing chainbelts, type: **2251 M**

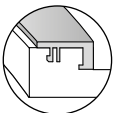
Go to:

3 0 7 0 0 a

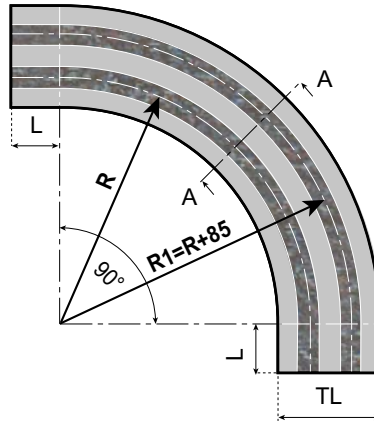
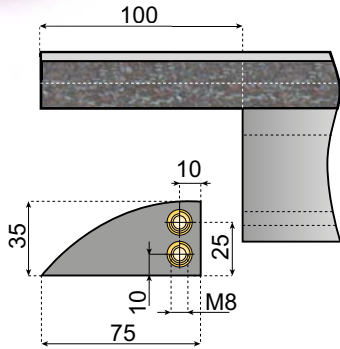


For straight curve go to:

5 0 1 4 0 a



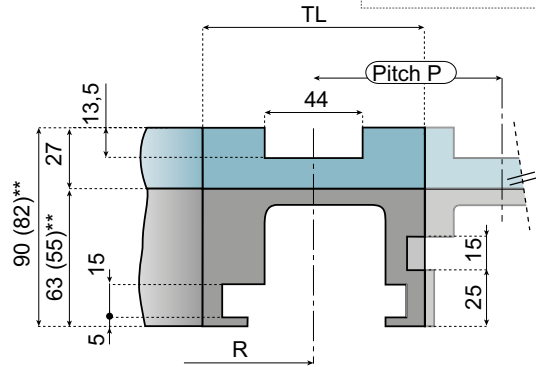
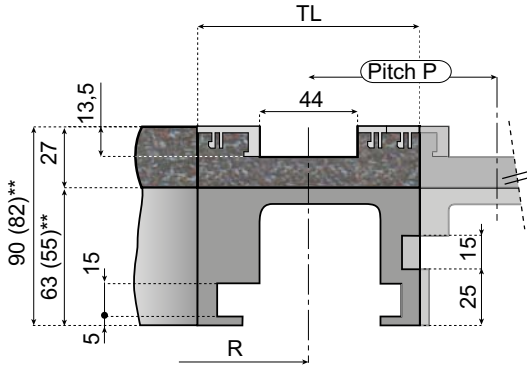
For type curve: **KC4**



Introduction to curves. Go to: **5 0 0 0 5 a**

Replacement **5 0 5 6 5 a**

TOPTRAC®
- Replaceable wearstrips
- Lowest coefficient of friction
5 0 0 0 6 a



**Dimensions (...) are valid for the 1 Track version of curve type KC7.

TRACKS NR.	TL	TYPE CURVE	R	L	PITCH	TOPTRAC®			STANDARD		
						ITEM DESCRIPTION			ITEM DESCRIPTION		
						30°	45°	90°	30°	45°	90°
						PLATE: K330-WIDTH: 83,8 mm					
1	100	KC7**	500	0	85	TTM84-30-01A	TTM84-45-01A	TTM84-90-01A	KMD84-30-01A	KMD84-45-01A	KMD84-90-01A
2	185					TTM84-30-02A	TTM84-45-02A	TTM84-90-02A	KMD84-30-02A	KMD84-45-02A	KMD84-90-02A
3	270					TTM84-30-03A	TTM84-45-03A	TTM84-90-03A	KMD84-30-03A	KMD84-45-03A	KMD84-90-03A
4	355					TTM84-30-04A	TTM84-45-04A	TTM84-90-04A	KMD84-30-04A	KMD84-45-04A	KMD84-90-04A
5	440					TTM84-30-05A	TTM84-45-05A	TTM84-90-05A	KMD84-30-05A	KMD84-45-05A	KMD84-90-05A
6	525					TTM84-30-06A	TTM84-45-06A	TTM84-90-06A	KMD84-30-06A	KMD84-45-06A	KMD84-90-06A
7	610					TTM84-30-07A	TTM84-45-07A	TTM84-90-07A	KMD84-30-07A	KMD84-45-07A	KMD84-90-07A
8	695					TTM84-30-08A	TTM84-45-08A	TTM84-90-08A	KMD84-30-08A	KMD84-45-08A	KMD84-90-08A
						PLATE: K330-WIDTH: 83,8 mm					
1	100	KC6	500	100	85	TTM85-30-01B	TTM85-45-01B	TTM85-90-01B	KMD85-30-01B	KMD85-45-01B	KMD85-90-01B
2	185					TTM85-30-02B	TTM85-45-02B	TTM85-90-02B	KMD85-30-02B	KMD85-45-02B	KMD85-90-02B
3	270					TTM85-30-03B	TTM85-45-03B	TTM85-90-03B	KMD85-30-03B	KMD85-45-03B	KMD85-90-03B
4	355					TTM85-30-04B	TTM85-45-04B	TTM85-90-04B	KMD85-30-04B	KMD85-45-04B	KMD85-90-04B
5	440					TTM85-30-05B	TTM85-45-05B	TTM85-90-05B	KMD85-30-05B	KMD85-45-05B	KMD85-90-05B
6	525					TTM85-30-06B	TTM85-45-06B	TTM85-90-06B	KMD85-30-06B	KMD85-45-06B	KMD85-90-06B
						PLATE: K330-WIDTH: 83,8 mm					
1	111	KC4	500	100	85	TTM86-30-01B	TTM86-45-01B	TTM86-90-01B	KMD86-30-01B	KMD86-45-01B	KMD86-90-01B
2	196					TTM86-30-02B	TTM86-45-02B	TTM86-90-02B	KMD86-30-02B	KMD86-45-02B	KMD86-90-02B
3	281					TTM86-30-03B	TTM86-45-03B	TTM86-90-03B	KMD86-30-03B	KMD86-45-03B	KMD86-90-03B
4	366					TTM86-30-04B	TTM86-45-04B	TTM86-90-04B	KMD86-30-04B	KMD86-45-04B	KMD86-90-04B
5	451					TTM86-30-05B	TTM86-45-05B	TTM86-90-05B	KMD86-30-05B	KMD86-45-05B	KMD86-90-05B
6	536					TTM86-30-06B	TTM86-45-06B	TTM86-90-06B	KMD86-30-06B	KMD86-45-06B	KMD86-90-06B
						PLATE: K330-WIDTH: 83,8 mm					
1	100	KC8	750	100	-	TTM87-30-01B	TTM87-45-01B	TTM87-90-01B	KMD87-30-01B	KMD87-45-01B	KMD87-90-01B
						PLATE: K330-WIDTH: 83,8 mm					
1	100	KC5D	1000	0	-	TTM97-30-01A	TTM97-45-01A	TTM97-90-01A	KMD97-30-01A	KMD97-45-01A	KMD97-90-01A
						PLATE: K450-WIDTH: 114,3 mm					
1	129	KC22	500	100	-	TTM64-30-01B	TTM64-45-01B	TTM64-90-01B	KMD64-30-01B	KMD64-45-01B	KMD64-90-01B
						PLATE: K450-WIDTH: 114,3 mm					
1	129	KC27	610	100	117	TTM66-30-01B	TTM66-45-01B	TTM66-90-01B	KMD66-30-01B	KMD66-45-01B	KMD66-90-01B
2	246					-	-	-	KMD66-30-02B	KMD66-45-02B	KMD66-90-02B

• More tracks and different angles available on request.

Chains & sprockets	Wear strips	Side guide brackets & accessories	Levelers	Engineering manual
Modular belts & sprockets	Chain & belt return systems	Frame & structure supports	Bearing supports	
Curves & tracks	Side guide solutions	Miscellaneous products	Equipment	

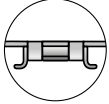
5 0 1 1 0 a

CURVES AND STRAIGHT TRACKS FOR TAB CHAINS

www.SystemPlastSmartGuide.com

For general index, go to:

5 0 0 1 0 b



Introduction to curves. Go to:

5 0 0 0 5 a

For steel chains, type:
881R TAB - 8810 TAB

Go to:

1 1 0 7 0 a

For plastic chains, type:
877 TAB • 878 TAB
879 TAB • 880 TAB

Go to:

1 1 2 3 0 a

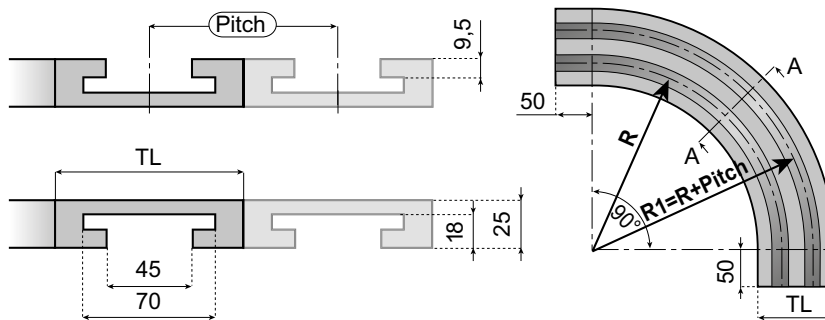
2250 TAB • 2251 TAB

Go to:

3 0 7 1 0 a

CURVE TRACKS

CHAIN TYPES 877/878/879/880/8810-TAB K325-330-450-750
CHAINBELT TYPES 2250/2251 TAB K330-K450



REFERENCE	PITCH	TRACKS	TL	R 500	R 610	R 650	R 800
				ITEM DESCRIPTION			
880TAB-K325 880TAB-K330 2250 TAB K330 2251 TAB K330	85	1	100	VT880T325R500T1D	VT880T325R610T1D	VT880T325R650T1D	VT880T325R800T1D
		2	185	VT880T325R500T2D	-	-	-
		3	270	VT880T325R500T3D	-	-	-
		4	355	VT880T325R500T4D	-	-	-
880TAB-K450 2251TAB-K450	120	1	130	-	VT880T450R610T1D	VT880T450R650T1D	VT880T450R800T1D
		2	250	-	VT880T450R610T2D	-	-
880TAB-K750	195	1	200	-	VT880T750R610T1D	-	VT880T750R800T1D

Supply: complete set - carry+return. Material: UHMWPE; color: black.

STRAIGHT TRACKS

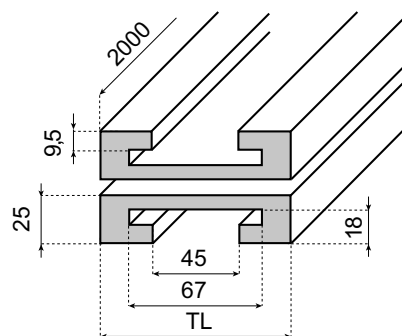
CHAIN TYPES 815 TAB VG/877/878/879/880/8810-TAB K325-330-450-750
CHAINBELT TYPES 2250/2251 TAB K330-K450



For steel chains, type:
815 TAB VG

Go to:

1 1 1 5 0 a



Carry/Return straight track sections

REFERENCE	TL	ITEM DESCRIPTION
K325	100	VT880T325L2000T1
K450	130	VT880T450L2000T1
K750	200	VT880T750L2000T1

Supply: 1 piece.
Material: UHMWPE; color: black.

Chains & sprockets	Wear strips	Side guide brackets & accessories	Levelers	Engineering manual
Modular belts & sprockets	Chain & belt return systems	Frame & structure supports	Bearing supports	
Curves & tracks	Side guide solutions	Miscellaneous products	Equipment	

5 0 1 2 0 a

COMPACT CURVES AND STRAIGHT TRACKS FOR TAB CHAINS

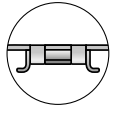
www.SystemPlastSmartGuide.com



For general index, go to:
5 0 0 1 0 b

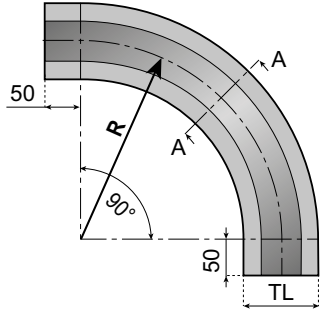
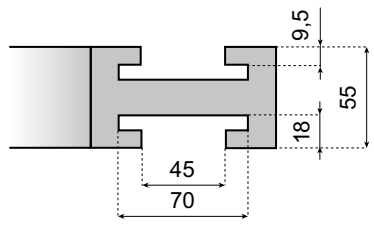
CURVE TRACKS

**CHAIN TYPES 877/878/879/880/8810-TAB K325-330-450-750
CHAINBELT TYPES 2250/2251 TAB K330-K450**



For steel chains, type:
881R TAB - 8810 TAB
Go to:

1 1 0 7 0 a

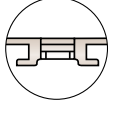


Compact curve tracks

REFERENCE	TL	ITEM DESCRIPTION	RADIUS R
880TAB-K325 880TAB-K330 2250 TAB K330 2251 TAB K330	100	VTC880T325R500T1D	500
880TAB-K450 2251TAB-K450	130	VTC880T450R610T1D	610

Supply: 1 piece.
Material: UHMWPE; color: black.

Introduction to curves. Go to:
5 0 0 0 5 a



For plastic chains, type:
**877 TAB • 878 TAB
879 TAB • 880 TAB**
Go to:

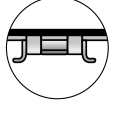
1 1 2 3 0 a

2250 TAB • 2251 TAB
Go to:

3 0 7 1 0 a

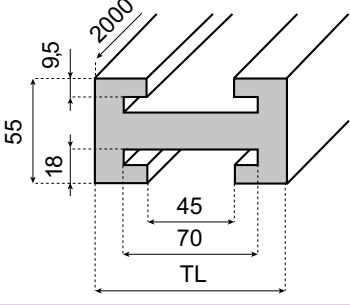
STRAIGHT TRACKS

**CHAIN TYPES 815 TAB VG/877/878/879/880/8810-TAB K325-330-450-750
CHAINBELT TYPES 2250/2251 TAB K330-K450**



For steel chains, type:
815 TAB VG
Go to:

1 1 1 5 0 a



Compact straight track sections

REFERENCE	TL	ITEM DESCRIPTION
K325	100	VTC880T325L2000T1
K450	130	VTC880T450L2000T1

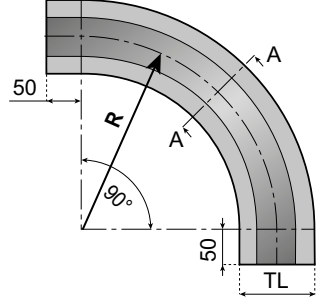
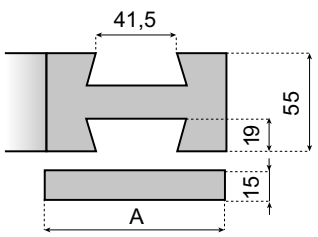
Supply: 1 piece.
Material: UHMWPE; color: black.

COMPACT CORNER TRACK FOR BEVEL CHAINS



For bevel chains, type:
8810
Go to:

1 1 0 8 0 a



REFERENCE	TRACKS	TL	ITEM DESCRIPTION	RADIUS R
K325	1	100	VTC880B325R500T1D	500

Supply: 2 pieces (including return plate).
Material: UHMWPE; color: black.

Chains & sprockets	Wear strips	Side guide brackets & accessories	Levelers	Engineering manual
Modular belts & sprockets	Chain & belt return systems	Frame & structure supports	Bearing supports	
Curves & tracks	Side guide solutions	Miscellaneous products	Equipment	

5 0 1 3 0 a

CURVES AND STRAIGHT TRACKS FOR BEVEL CHAINS

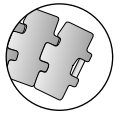
www.SystemPlastSmartGuide.com

CHAIN TYPES 879/880/8810 - K325-350-450-750



For general index, go to:

5 0 0 1 0 b



For Stainless steel bevel chains, type: **881R - 8810**

Go to: **1 1 0 8 0 a**

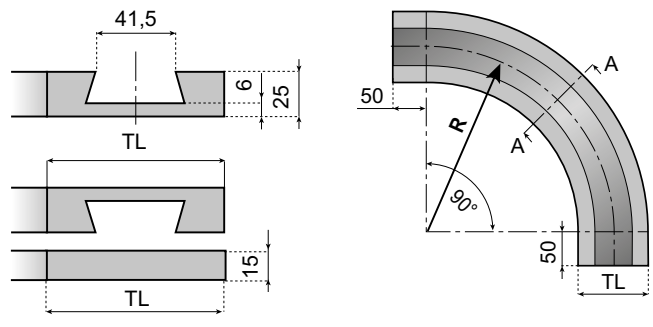


For plastic bevel chains, type: **879 - 880**

Go to: **1 1 2 4 0 a**

i Introduction to curves. Go to: **5 0 0 0 5 a**

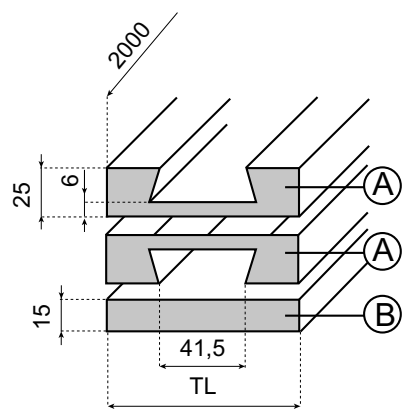
CURVE TRACKS



REFERENCE	TRACKS	TL WIDTH mm	R 500	R 610
880-K325	1	100	VT880B325R500T1D	VT880B325R610T1D
880-K450	1	130	-	VT880B450R610T1D
880-K750	1	200	-	VT880B750R610T1D

Supply: complete set - carry+return.
Material: UHMWPE; color: black.

STRAIGHT TRACKS



Information about this product is only available on our Smart Guide® website.

(A) CARRY/RETURN STRAIGHT TRACK SECTIONS

REFERENCE	TL	ITEM DESCRIPTION
K325	100	VT880B325L2000T1
K450	130	VT880B450L2000T1
K750	200	VT880B750L2000T1

Supply: 1 piece.
Material: UHMWPE; color: black.

(B) RETURN TRACK SECTIONS

REFERENCE	TL	ITEM DESCRIPTION
K325	100	VTR880B325L2000T1
K450	130	For these support plates go to: 5 0 1 5 0 a
K750	200	(types VTR882B450&750)

Supply: 1 piece.
Material: UHMWPE; color: black.

Chains & sprockets	Wear strips	Side guide brackets & accessories	Levelers	Engineering manual
Modular belts & sprockets	Chain & belt return systems	Frame & structure supports	Bearing supports	
Curves & tracks	Side guide solutions	Miscellaneous products	Equipment	

5 0 1 4 0 a

CURVES AND STRAIGHT TRACKS FOR TAB AND MAGNETIC CHAINS

www.SystemPlastSmartGuide.com

CHAIN TYPES 882-TAB-K450-750-1000-1200

For general index, go to:

5 0 0 1 0 b

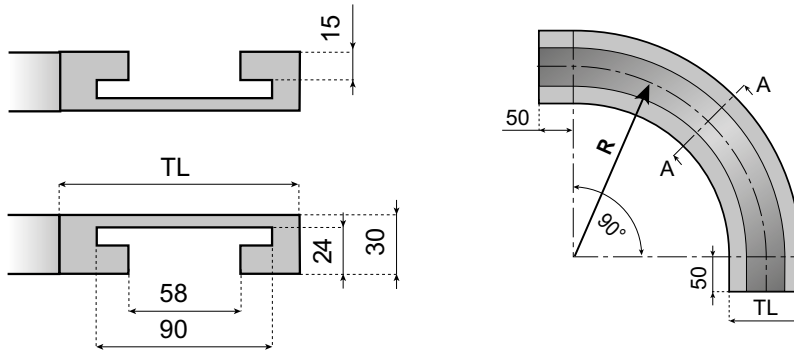


For plastic chains, type: **882 TAB**

Go to:

1 1 2 9 0 a

CURVE TRACKS



Introduction to curves. Go to:

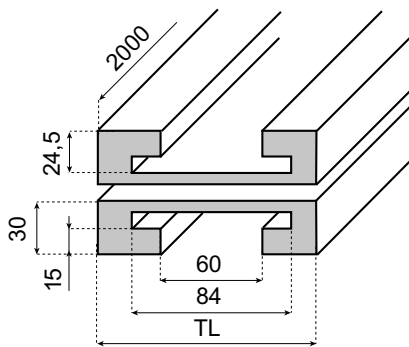
5 0 0 0 5 a

REFERENCE	TL WIDTH mm	R 610	R 650	R 800	R 1000
882TAB-K450	130	VT882T450R610T1D	VT882T450R650T1D	VT882T450R800T1D	-
882TAB-K750	200	VT882T750R610T1D	VT882T750R650T1D	VT882T750R800T1D	VT882T750R1000T1D
882TAB-K1000	270	VT882T1000R610T1D	VT882T1000R650T1D	VT882T1000R800T1D	VT882T1000R1000T1D
882TAB-K1200	320	VT882T1200R610T1D	VT882T1200R650T1D	VT882T1200R800T1D	VT882T1200R1000T1D

Supply: complete set - carry+return.

Material: UHMWPE; color: black.

STRAIGHT TRACKS



Straight track sections

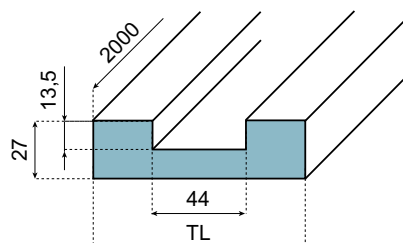
CHAINS REF.	TL	ITEM DESCRIPTION
K450	130	VT882T450L2000T1
K750	200	VT882T750L2000T1
K1000	270	VT882T1000L2000T1
K1200	320	VT882T1200L2000T1

Supply: 1 piece.

Material: UHMWPE; color: black.

STRAIGHT TRACKS

CHAIN TYPES 879M/880M/881M-K325-330/2250M/2251M/2260M-K330



Straight track sections

CHAINS REF.	TL	ITEM DESCRIPTION
K325/K330	100	VTO880M325L2000T1

Supply: 1 piece.

Material: UHMWPE; color: water blue.

Suitable with magnetic curves:

879M-880M-881M

5 0 0 2 0 a

5 0 0 3 0 a

879M-880M-881M

5 0 0 5 0 a

LBP 879M

5 0 0 7 0 a

2250M-2260M

5 0 0 9 1 a

2251M

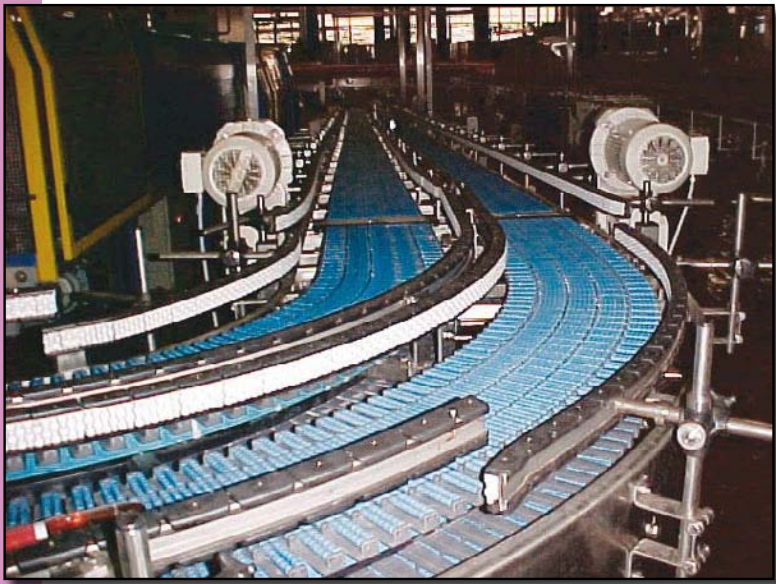
5 0 1 0 1 a

Chains & sprockets	Wear strips	Side guide brackets & accessories	Levelers	Engineering manual
Modular belts & sprockets	Chain & belt return systems	Frame & structure supports	Bearing supports	
Curves & tracks	Side guide solutions	Miscellaneous products	Equipment	

5 0 1 4 0 z

APPLICATION EXAMPLES

www.SystemPlastSmartGuide.com



SIDE FLEXING LBP CHAINS IN COMBINATION WITH ROLLER SIDE GUIDES.

LBP chains, go to:
1 1 0 1 2 a

Roller side guides, go to:
5 2 5 1 0 a



SPEEDLINE STAINLESS STEEL CHAINS IN COMBINATION WITH MAGNETIC CURVES.

Side flexing Speedline chains, go to:
1 1 0 6 0 a

Magnetic curves, go to:
5 0 0 1 0 a

Chains & sprockets	Wear strips	Side guide brackets & accessories	Levelers	Engineering manual
Modular belts & sprockets	Chain & belt return systems	Frame & structure supports	Bearing supports	
Curves & tracks	Side guide solutions	Miscellaneous products	Equipment	

5 0 1 5 0 a

CURVES AND STRAIGHT TRACKS FOR BEVEL CHAINS

CHAIN TYPES 882K450-750-1200

www.SystemPlastSmartGuide.com

For general index, go to:

5 0 0 1 0 b

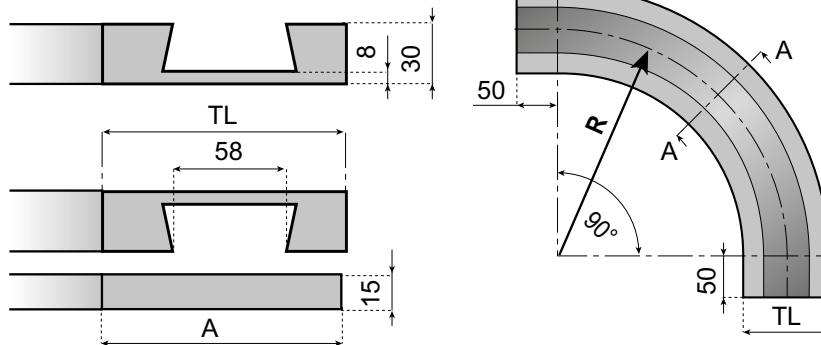


For plastic bevel chains, type: **882**

Go to:

1 1 2 9 0 a

CURVE TRACKS



Introduction to curves. Go to:

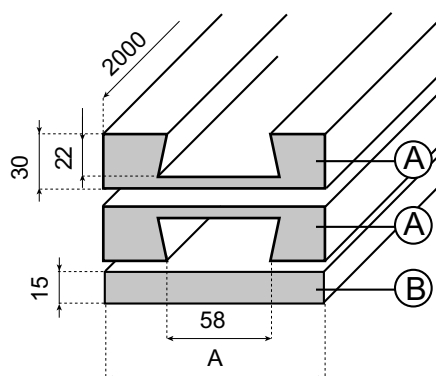
5 0 0 0 5 a

REFERENCE	TL WIDTH	R 610	R 650	R 800	R 1000
K450	130	VT882B450R610T1D	VT882B450R650T1D	VT882B450R800T1D	VT882B450R1000T1D
K750	200	VT882B750R610T1D	VT882B750R650T1D	VT882B750R800T1D	VT882B750R1000T1D
K1000	270	VT882B1000R610T1D	VT882B1000R650T1D	VT882B1000R800T1D	VT882B1000R1000T1D

Supply: complete set - carry+return.

Material: UHMWPE; color: black.

STRAIGHT TRACKS



A

Carry/Return straight track sections

REFERENCE	TL	ITEM DESCRIPTION
K450	130	VT882B450L2000T1
K750	200	VT882B750L2000T1
K1000	270	VT882B1000L2000T1

Supply: 1 piece.

Material: UHMWPE; color: black.

B

Return track sections

REFERENCE	TL	ITEM DESCRIPTION
K450	100	VTR882B450L2000T1
K750	130	VTR882B750L2000T1
K1000	200	VTR882B1000L2000T1

Supply: 1 piece.

Material: UHMWPE; color: black.

Chains & sprockets	Wear strips	Side guide brackets & accessories	Levelers	Engineering manual
Modular belts & sprockets	Chain & belt return systems	Frame & structure supports	Bearing supports	
Curves & tracks	Side guide solutions	Miscellaneous products	Equipment	

5 0 1 6 0 a

CURVES AND STRAIGHT TRACKS FOR TAB CHAINS

www.SystemPlastSmartGuide.com

CHAIN TYPES 1863-1873-1874



For general index, go to:

5 0 0 1 0 b



For plastic chains, type:

1873

Go to:

1 1 4 7 0 a



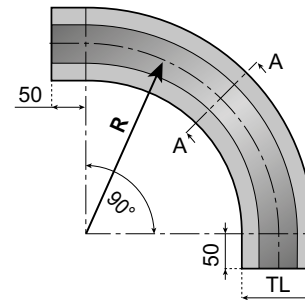
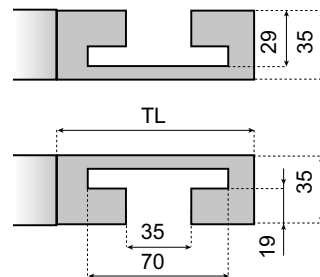
For steel chains, type:

1874

Go to:

1 1 1 4 0 a

CURVE TRACKS



Introduction to curves. Go to:

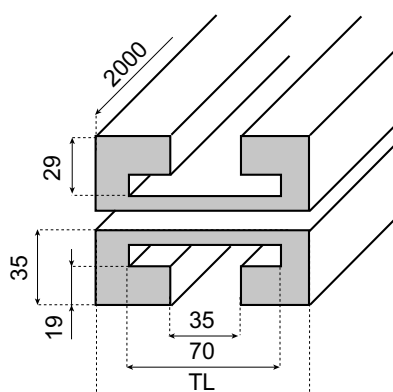
5 0 0 0 5 a

TAB CHAINS	TL WIDTH mm	R1 380	R1 500	R1 610	R1 800	R1 1000
1863-1873 1874TAB-K225	75	VT1873T225R380T1D	VT1873T225R500T1D	VT1873T225R610T1D	VT1873T225R800T1D	VT1873T225R1000T1D
1873 1874TAB-K325	100	VT1873T325R380T1D	VT1873T325R500T1D	VT1873T325R610T1D	VT1873T325R800T1D	VT1873T325R1000T1D
1873TAB-K450	130	VT1873T450R380T1D	VT1873T450R500T1D	VT1873T450R610T1D	VT1873T450R800T1D	VT1873T450R1000T1D
1873TAB-K600	170	-	VT1873T600R500T1D	VT1873T600R610T1D	VT1873T600R800T1D	VT1873T600R1000T1D
1873TAB-K750	170	-	VT1873T750R500T1D	VT1873T750R610T1D	VT1873T750R800T1D	VT1873T750R1000T1D
1873TAB-K1000	270	-	VT1873T1000R500T1D	VT1873T1000R610T1D	VT1873T1000R800T1D	VT1873T1000R1000T1D
1873TAB-K1200	320	-	-	VT1873T1200R610T1D	VT1873T1200R800T1D	VT1873T1200R1000T1D

Supply: complete set - carry+return.

Material: UHMWPE; color: black.

STRAIGHT TRACKS



Carry/Return straight track sections

CHAINS REF.	TL	ITEM DESCRIPTION
K325	100	VT1873T325L2000T1
K450	130	VT1873T450L2000T1
K600	170	VT1873T600L2000T1
K750	200	VT1873T750L2000T1
K1000	270	VT1873T1000L2000T1
K1200	320	VT1873T1200L2000T1

Supply: 1 piece.

Material: UHMWPE; color: black.

Chains & sprockets	Wear strips	Side guide brackets & accessories	Levelers	Engineering manual
Modular belts & sprockets	Chain & belt return systems	Frame & structure supports	Bearing supports	
Curves & tracks	Side guide solutions	Miscellaneous products	Equipment	

5 0 1 7 0 a

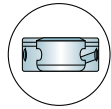
CURVES FOR MULTIFLEX CHAINS

www.SystemPlastSmartGuide.com



For general index, go to:

5 0 0 1 0 b

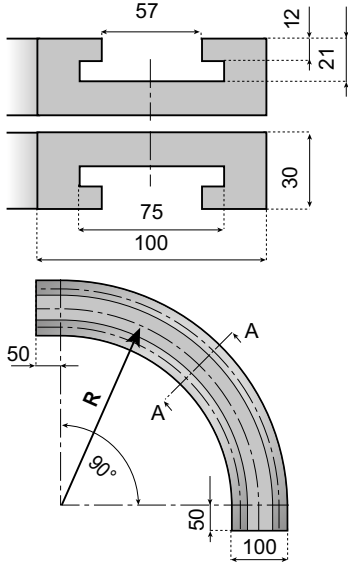


For plastic chains, type: **1701 TAB**

Go to:

1 1 5 3 0 a

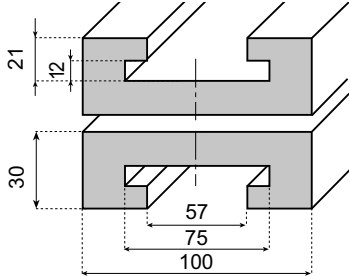
CURVE TRACKS



Supply: complete set - carry+return.
Material: UHMWPE; color: black.

CHAIN TYPE	R	ITEM DESCRIPTION
1701TAB	250	VT1701T-R250T1D
	500	VT1701T-R500T1D

STRAIGHT TRACKS

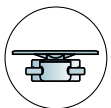
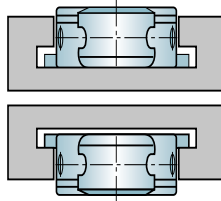


Supply: 1 piece.
Material: UHMWPE; color: black.

CHAIN TYPE	ITEM DESCRIPTION
1701TAB	VT1701T-L2000T1

i Introduction to curves. Go to: **5 0 0 0 5 a**

APPLICATION

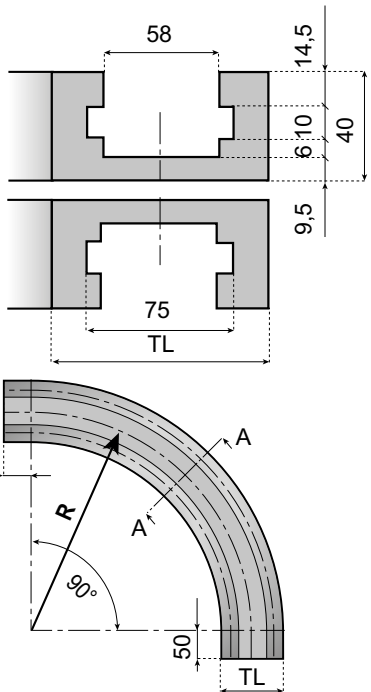


For plastic chains, type: **1710-CTAB**

Go to:

1 1 5 4 0 a

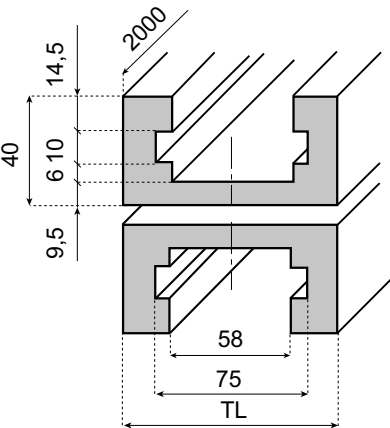
CURVE TRACKS



Curves for multiflex TAB chains - Type H

CHAIN TYPE	PLATE WIDTH	TL	R	ITEM DESCRIPTION
1710CTAB-K375	95	110	250	VT1710CT375R250T1D
1710CTAB-K750	190	200	500	VT1710CT750R500T1D

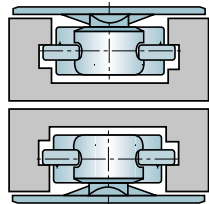
STRAIGHT TRACKS



Carry/Return track sections
Supply: 1 piece.
Material: UHMWPE; color: black.

CHAIN TYPE	PLATE WIDTH	TL	ITEM DESCRIPTION
1710CTAB-K375	95	110	VT1710CT375L2000T1
1710CTAB-K750	190	200	VT1710CT750L2000T1

APPLICATION



Chains & sprockets	Wear strips	Side guide brackets & accessories	Levelers	Engineering manual
Modular belts & sprockets	Chain & belt return systems	Frame & structure supports	Bearing supports	
Curves & tracks	Side guide solutions	Miscellaneous products	Equipment	

5 0 1 8 0 a

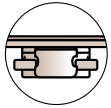
CURVES FOR MULTIFLEX TOP PLATES

www.SystemPlastSmartGuide.com



For general index, go to:

5 0 0 1 0 b

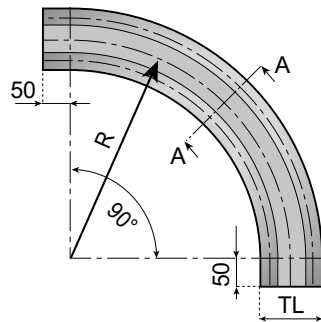
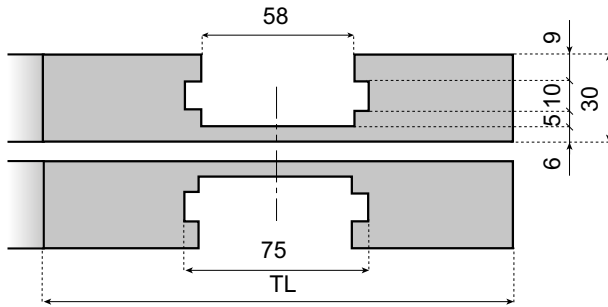


For plastic chains, type: **1713-CTAB**

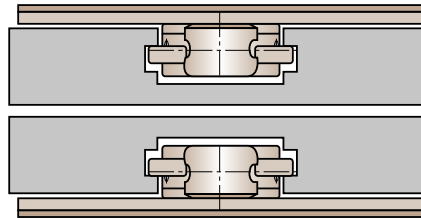
Go to:

1 1 5 4 0 a

CURVE TRACKS



APPLICATION



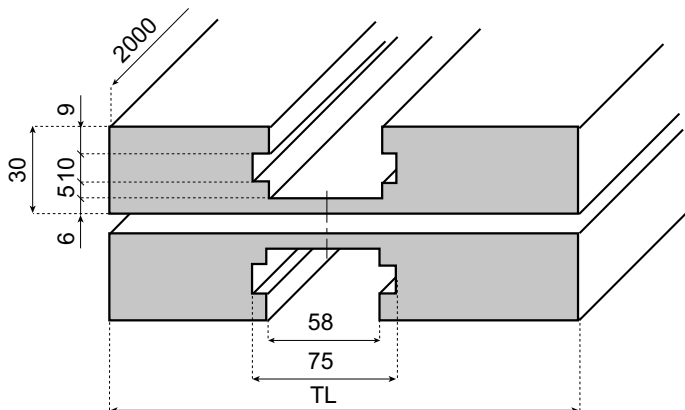
i Introduction to curves. Go to: **5 0 0 0 5 a**

Curves for multiflex TAB chains - Type P
Material: UHMWPE; color: black.

Supply: complete set - carry+return.

CHAIN TYPE	PLATE WIDTH	TL	R	ITEM DESCRIPTION
1713CTAB-K750	191	200	550	VT1713CT750R550T1D
1713CTAB-K1000	254	270	550	VT1713CT1000R550T1D

STRAIGHT TRACKS



Carry/Return track sections - 1 Piece
Material: UHMWPE; color: black.

CHAIN TYPE	PLATE WIDTH	TL	ITEM DESCRIPTION
1713CTAB-K750	191	200	VT1713CT750L2000T1
1713CTAB-K1000	254	270	VT1713CT1000L2000T1

Chains & sprockets	Wear strips	Side guide brackets & accessories	Levelers	Engineering manual
Modular belts & sprockets	Chain & belt return systems	Frame & structure supports	Bearing supports	
Curves & tracks	Side guide solutions	Miscellaneous products	Equipment	

50510a

INDEX WEAR STRIPS

www.SystemPlastSmartGuide.com

STANDARD MATERIAL: UHMWPE

This ultra high molecular weight material is the choice for a wide variety of applications. The low friction characteristics of UHMW allow chains and containers to move at high speed with minimum drag and noise as well as minimum container damage.

BENEFITS:

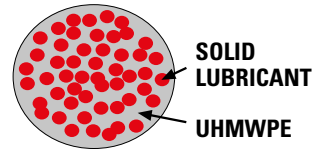
- Low friction
- High wear resistance
- High temperature resistance

NOLU®-S COMPONENTS

Nolu-S components are made a blend of UHMWPE and other dry lubricants that maintain good wear characteristics while significantly reducing coefficients of friction. Their unique self lubricating properties make them ideal for applications requiring reduced friction, noise reduction and higher dry-running speeds.

BENEFITS:

- Extends the life of mating surfaces
- Lowers mating surface scratching or damage
- Reduces energy consumption
- Minimizes product pulsation on conveyors
- Low noise operation



WEAR STRIPS			
50520a	50530a	50550a	50560a

CHAIN AND BELT SUPPORT SYSTEM		
50580a	50600a	50600a

CHAIN AND BELT SUPPORT	BAR CAPS
50570a	50650a

DRIVE RIVET FOR WEAR STRIPS	GUIDES FOR SIDEFLEXING BELT	TOPTRAC® CURVE PROFILES
50550b	50570a	50565a

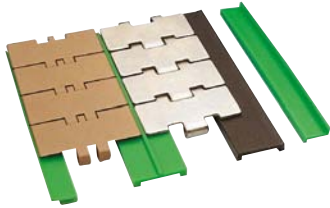
New

Chains & sprockets	Wear strips	Side guide brackets & accessories	Levelers	Engineering manual
Modular belts & sprockets	Chain & belt return systems	Frame & structure supports	Bearing supports	
Curves & tracks	Side guide solutions	Miscellaneous products	Equipment	

50520a

WEAR STRIPS

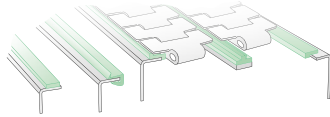
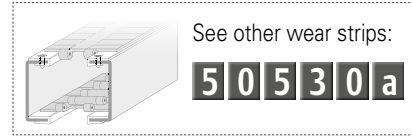
www.SystemPlastSmartGuide.com



MATERIAL:

Extruded ultra high molecular weight polyethylene.
Max. continuous service temperature in air 90° C.
Water absorption coefficient = 0.

MOQ Min. order quantity: 180 m



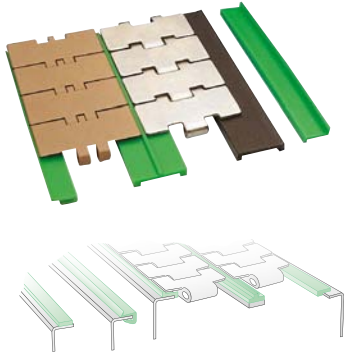
	UHMWPE GREEN	UHMWPE BLACK	NOLU-S™ WEAR STRIPS			
	ITEM DESCRIPTION	ITEM DESCRIPTION	ITEM DESCRIPTION			
	VG-L20M-G-200	VG-L20M-B-200	VG-L20M-NS-200 ^{MOQ}	60 m	-	60 m
	VG-Z18M-G-200	VG-Z18M-B-200	VG-Z18M-NS-200 ^{MOQ}	60 m	-	60 m
	VG-Z20M-G-200	VG-Z20M-B-200	VG-Z20M-NS-200 ^{MOQ}	60 m	-	60 m
	-	-	VG-Z21M-NS-150 ^{MOQ}	45 m	-	45 m
	-	-	VG-Z22M-NS-100 ^{MOQ}	30 m	-	30 m
	VG-Z20WM-G-200 ^{MOQ}	VG-Z20WM-B-200	VG-Z20WM-NS-200 ^{MOQ}	60 m	-	60 m
	-	-	VG-Z22WM-NS-150 ^{MOQ}	45 m	-	45 m

Chains & sprockets	Wear strips	Side guide brackets & accessories	Levelers	Engineering manual
Modular belts & sprockets	Chain & belt return systems	Frame & structure supports	Bearing supports	
Curves & tracks	Side guide solutions	Miscellaneous products	Equipment	

50520b

WEAR STRIPS

www.SystemPlastSmartGuide.com



MATERIAL:

Extruded ultra high molecular weight polyethylene.
 Max. continuous service temperature in air 90° C.
 Water absorption coefficient = 0.

MOQ Min. order quantity: 180 m



	UHMWPE GREEN	UHMWPE BLACK	NOLU-S™ WEAR STRIPS			
	ITEM DESCRIPTION	ITEM DESCRIPTION	ITEM DESCRIPTION			
	VG-J21M-G-200	VG-J21M-B-200	VG-J21M-NS-200	60 m	-	60 m
NOTES: applicable from 2.5 to 4 mm thick sheet metal.						
	-	-	VG-JL23M-NS-150 <small>MOQ</small>	45 m	-	45 m
	VG-JL19M-G-200	VG-JL19M-B-200	VG-JL19M-NS-200	60 m	-	60 m
NOTES: applicable from 2.5 to 4 mm thick sheet metal.						
	VG-J23M-G-20	VG-J23M-B-20 <small>MOQ</small>	VG-J23M-NS-20 <small>MOQ</small>	-	6 m	60 m

Chains & sprockets	Wear strips	Side guide brackets & accessories	Levelers	Engineering manual
Modular belts & sprockets	Chain & belt return systems	Frame & structure supports	Bearing supports	
Curves & tracks	Side guide solutions	Miscellaneous products	Equipment	

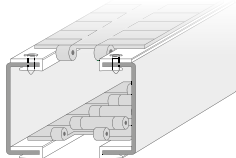
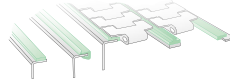
MATERIAL:

Extruded ultra high molecular weight polyethylene.

**Extruded high molecular weight polyethylene.

Max. continuous service temperature in air 90° C.

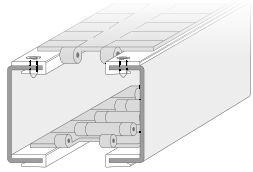
Water absorption coefficient = 0.



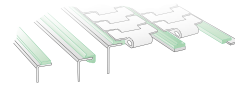
	NOLU-S™ WEAR STRIPS	** HMWPE WHITE New	UHMWPE WHITE			
	ITEM DESCRIPTION	ITEM DESCRIPTION	ITEM DESCRIPTION			
	-	-	VG-P18CC-100	30 m	-	30 m
	-	-	VG-JS3-075-125-100	30 m	-	30 m
	*	-	VG-JS100-125-100	30 m	-	30 m
	*	-	VG-J100-125T-100	30 m	-	30 m
	*	VG-JS150-125-W-100	VG-JS150-125-100	30 m	-	30 m
	*	-	VG-JS200-125-20	-	6 m	60 m
	*	VG-JSL075-125-NS-100	VG-JSL075-125-100	30 m	-	30m
	-	-	VG-JEL-078-125-20	-	6 m	60 m

*These profiles are also available with thickness 5mm

Chains & sprockets	Wear strips	Side guide brackets & accessories	Levelers	Engineering manual
Modular belts & sprockets	Chain & belt return systems	Frame & structure supports	Bearing supports	
Curves & tracks	Side guide solutions	Miscellaneous products	Equipment	



MATERIAL:
 Extruded ultra high molecular weight polyethylene.
 Max. continuous service temperature in air 90° C.
 Water absorption coefficient = 0.



See other wear strips:

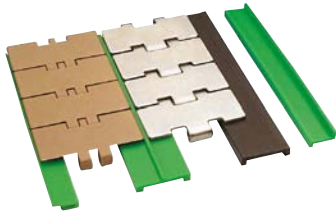
50520a

		UHMWPE WHITE			
	*	VG-JS100-188-100	30 m	-	30 m
	*	VG-J100-188-100	30 m	-	30 m
	*	VG-JS150-188-20	-	6 m	60 m
	*	VG-JS200-188-20	-	6 m	60 m
	*	VG-JSL075-188-100	30 m	-	30 m

*These profiles are also available with thickness 3mm

Go to page: **50530a**

Chains & sprockets	Wear strips	Side guide brackets & accessories	Levelers	Engineering manual
Modular belts & sprockets	Chain & belt return systems	Frame & structure supports	Bearing supports	
Curves & tracks	Side guide solutions	Miscellaneous products	Equipment	



MATERIAL:

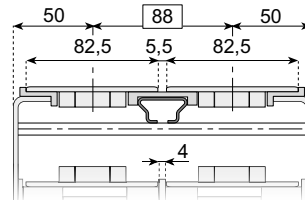
Extruded ultra high molecular weight polyethylene.
Max. continuous service temperature in air 90° C.
Water absorption coefficient = 0.

MOQ Min. order quantity: 180m.



	UHMWPE GREEN	UHMWPE BLACK	NOLU-S™ WEAR STRIPS			
	ITEM DESCRIPTION	ITEM DESCRIPTION	ITEM DESCRIPTION			
	-	-	VG-U3042M-NS-20 ^{MOQ}	6 m	-	30 m
	VG-U3042M-G-200	-	VG-U3042M-NS-200	-	60 m	60 m
	VG-U3041M-G-20	VG-U3041M-B-20	VG-U3041M-NS-20 ^{MOQ}	6 m	-	30 m
	VG-U3041M-G-100	-	-	-	30 m	30 m
	VG-U3043M-G-200	VG-U3043M-B-200 ^{MOQ}	VG-U3043M-NS-200 ^{MOQ}	-	60 m	60 m
	VG-U3043RM-G-200	VG-U3043RM-B-200 ^{MOQ}	VG-U3043RM-NS-200 ^{MOQ}	-	60 m	60 m

	ITEM DESCRIPTION	6m	30m
	VG-S4-S3020M-20		



See other wear strips:

50550b

MOQ Min. order quantity: 180m.

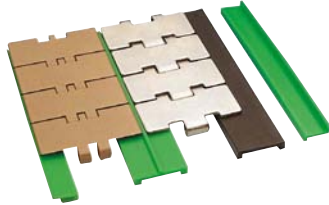
	UHMWPE GREEN	UHMWPE BLACK	NOLU-S™ WEAR STRIPS			
	ITEM DESCRIPTION	ITEM DESCRIPTION	ITEM DESCRIPTION			
	-	-	VG-U3641M-NS-200	-	60 m	60 m
	VG-U4045M-G-20	VG-U4045M-B-20	VG-U4045M-NS-20 ^{MOQ}	6 m	-	30 m
	VG-U4045M-G-150	-	VG-U4045M-NS-150 ^{MOQ}	-	45 m	45 m
	VG-F403RM-G-200	VG-F403RM-B-200	VG-F403RM-NS-200 ^{MOQ}	-	60 m	60 m
	VG-U4045RM-G-20	VG-U4045RM-B-20 ^{MOQ}	VG-U4045RM-NS-20 ^{MOQ}	6 m	-	30 m

Chains & sprockets	Wear strips	Side guide brackets & accessories	Levelers	Engineering manual
Modular belts & sprockets	Chain & belt return systems	Frame & structure supports	Bearing supports	
Curves & tracks	Side guide solutions	Miscellaneous products	Equipment	

50550b

SUPPORT FOR CHAIN AND BELTS

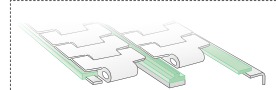
www.SystemPlastSmartGuide.com



MATERIAL:

Extruded ultra high molecular weight polyethylene.
Max. continuous service temperature in air 90° C.
Water absorption coefficient = 0.

MOQ Min. order quantity: 180m.

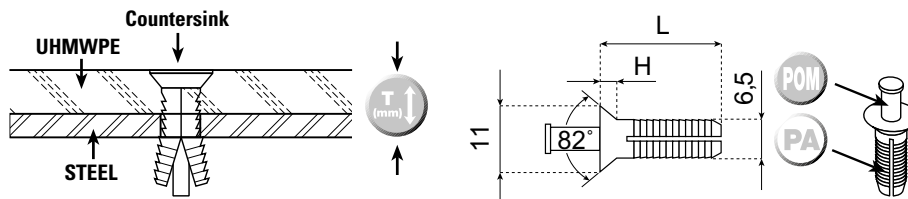


See other wear strips:

50550a

	UHMWPE GREEN	UHMWPE BLACK	NOLU-S™ WEAR STRIPS	L X H mm			
	ITEM DESCRIPTION	ITEM DESCRIPTION	ITEM DESCRIPTION				
	VG-F203M-G-200	VG-F203M-B-200	VG-F203M-NS-200	20 x 3	60 m	-	60 m
	VG-F205M-G-200	VG-F205M-B-200	VG-F205M-NS-200	20 x 5	60 m	-	60 m
	VG-F253M-G-200	VG-F253M-B-200	VG-F253M-NS-200	25 x 3	60 m	-	60 m
	VG-F303M-G-200	VG-F303M-B-200	VG-F303M-NS-200	30 x 3	60 m	-	60 m
	VG-F403M-G-200	VG-F403M-B-200	VG-F403M-NS-200	40 x 3	60 m	-	60 m
	VG-F503M-G-200	VG-F503M-B-200	VG-F503M-NS-200	50 x 3	60 m	-	60 m
	VG-F603M-G-200	VG-F603M-B-200	VG-F603M-NS-200	60 x 3	60 m	-	60 m
	VG-F703M-G-200	VG-F703M-B-200	VG-F703M-NS-200	70 x 3	60 m	-	60 m
	VG-T425M-G-10	VG-T425M-B-10	VG-T425M-NS-10	-	-	3 m	30 m
	-	VG-T2810M-B-10	-	-	-	3 m	-
NOSE BAR 							

DRIVE RIVET FOR WEAR STRIPS



ITEM DESCRIPTION	L	H	T (mm)		Material	
			MIN.	MAX.		
VG-750-10	19	3	5	12,5	PA-POM	100

Chains & sprockets	Wear strips	Side guide brackets & accessories	Levelers	Engineering manual
Modular belts & sprockets	Chain & belt return systems	Frame & structure supports	Bearing supports	
Curves & tracks	Side guide solutions	Miscellaneous products	Equipment	

50560a

WEAR STRIPS

www.SystemPlastSmartGuide.com



MOQ Min. order quantity: 180m.

		UHMWPE GREEN	UHMWPE BLACK	NOLU-S™ WEAR STRIPS	L						
		ITEM DESCRIPTION	ITEM DESCRIPTION	ITEM DESCRIPTION							
		VG-P330M-G-10	VG-P330M-B-10	VG-P330M-NS-10	3 m	30 m					
		VG-P330M-G-20	VG-P330M-B-20	VG-P330M-NS-20	6 m	30 m					
	A	6.5	B	12	C	30	VG-P640M-G-10	VG-P640M-B-10	VG-P640M-NS-10	3 m	30 m
							VG-P640M-G-20	VG-P640M-B-20	VG-P640M-NS-20	6 m	30 m
							VG-P840M-G-10	VG-P840M-B-10	VG-P840M-NS-10	3 m	30 m
							VG-P840M-G-20	VG-P840M-B-20	VG-P840M-NS-20	6 m	30 m
							VG-P1040M-G-10	VG-P1040M-B-10	VG-P1040M-NS-10	3 m	30 m
							VG-P1040M-G-20	VG-P1040M-B-20	VG-P1040M-NS-20	6 m	30 m
							VG-P650M-G-10	VG-P650M-B-10	VG-P650M-NS-10	3 m	30 m
							VG-P650M-G-20	VG-P650M-B-20	VG-P650M-NS-20	6 m	30 m
								VG-P680M-B-10		3 m	30 m
								VG-P680M-B-20		6 m	30 m



MATERIAL:

- Metal profile in stainless steel AISI 304.

- Wear strip in UHMWPE.

SUPPLY:

- 3 or 6 meters.

APPLICATION: the profile can be used on several conveyors as a chain and belt support in combination with standard UHMWPE guides or wear strip.

		A	B	SS 304	L	
		ITEM DESCRIPTION				
<p>M-PROFILE</p>		6	10	VG-S640M-10	3 m	30 m
				VG-S640M-20	6 m	30 m
		8	8	VG-S840M-10	3 m	30 m
				VG-S840M-20	6 m	30 m
		10	10	VG-S1040M-10	3 m	30 m
				VG-S1040M-20	6 m	30 m

		A	B	C	UHMWPE GREEN	UHMWPE BLACK	NOLU-S™ WEAR STRIPS	L	
		ITEM DESCRIPTION			ITEM DESCRIPTION	ITEM DESCRIPTION			
<p>ASSEMBLED M-PROFILE + WEARSTRIP</p>		6.5	12	30	VG-SP640M-G-10	VG-SP640M-B-10	VG-SP640M-NS-10	3 m	30 m
					VG-SP640M-G-20	VG-SP640M-B-20	VG-SP640M-NS-20	6 m	30 m
		8.5	14	27.5	VG-SP840M-G-10	VG-SP840M-B-10	VG-SP840M-NS-10	3 m	30 m
					VG-SP840M-G-20	VG-SP840M-B-20	VG-SP840M-NS-20	6 m	30 m
		10.5	16	35	VG-SP1040M-G-10	VG-SP1040M-B-10	VG-SP1040M-NS-10	3 m	30 m
					VG-SP1040M-G-20	VG-SP1040M-B-20	VG-SP1040M-NS-20	6 m	30 m

Chains & sprockets	Wear strips	Side guide brackets & accessories	Levelers	Engineering manual
Modular belts & sprockets	Chain & belt return systems	Frame & structure supports	Bearing supports	
Curves & tracks	Side guide solutions	Miscellaneous products	Equipment	

50565a

TOPTRAC® WEAR STRIPS

www.SystemPlastSmartGuide.com



New

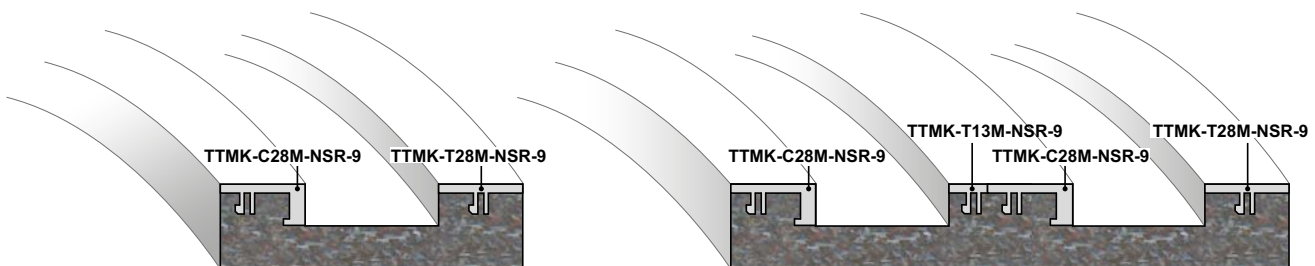
	NOLU-S™ WEAR STRIPS		
	ITEM DESCRIPTION		
	TTMK-C28M-NSR-9	8,10 m (3x2,7m)	2,70 m
	TTMK-T28M-NSR-9	8,10 m (3x2,7m)	2,70 m
	TTMK-T13M-NSR-9	8,10 m (3x2,7m)	2,70 m

General Curve Index:
50010a

TOPTRAC
Curve pages:
879M-880M-881M
50020a
50030a
50050a
LBP 879M-LBP 882M
50070a
2260M
50091a
2251M
50101a
 Concept:
50006a

SINGLE TRACK

MULTI TRACK



CUTTER FOR PLASTIC PROFILES

Oblique pliers: suitable for cutting plastic profiles with flat side walls
Cutting range: max cutting length 110 mm; max cutting capacity 4 mm
Weight: 540 g
Pliers length: 275 mm



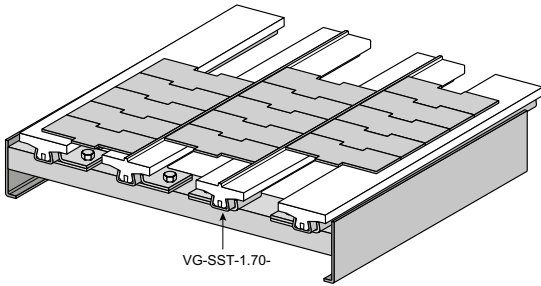
ITEM DESCRIPTION
SCR-TTM-110

Chains & sprockets	Wear strips	Side guide brackets & accessories	Levelers	Engineering manual
Modular belts & sprockets	Chain & belt return systems	Frame & structure supports	Bearing supports	
Curves & tracks	Side guide solutions	Miscellaneous products	Equipment	

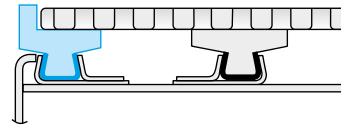
50570a

CONVEYOR WEAR BED

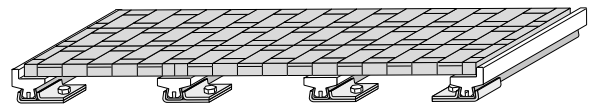
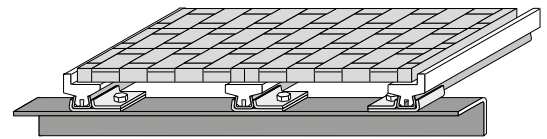
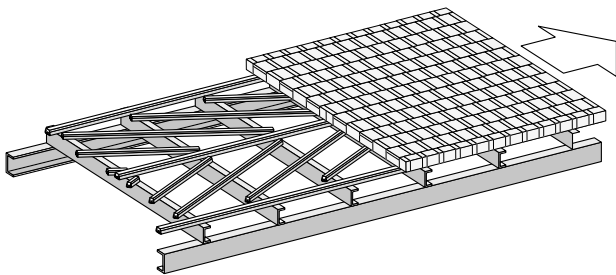
www.SystemPlastSmartGuide.com



VG-SST-1.70-



Valu Guide® rail can be used to form a wear bed grid for metal or plastic belts.

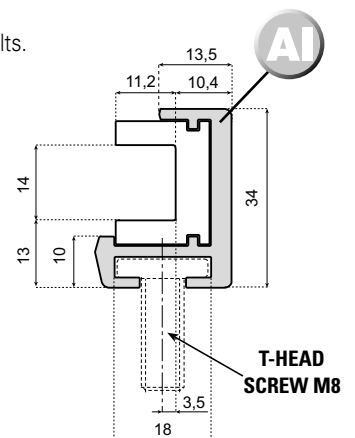
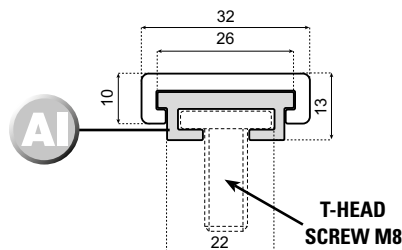
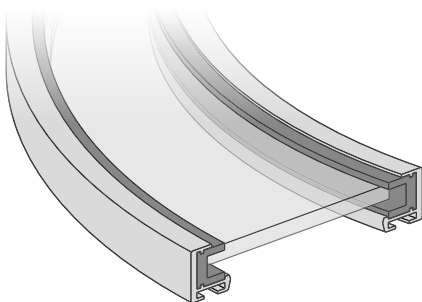


NOTE: For even distribution of load over width of belt, use the same type of guide through out your application.

Go to: 51520a	Go to: 51520b	Go to: 51520c

SUPPORT FOR CHAIN AND BELTS

Aluminum and UHMWPE guide rail for stable and ultra low friction guiding and supporting modular conveyor belts. Available in 3M lengths. Minimum radius 457 mm (inside edge). Replaceable UHMWPE strips.



UHMWPE WHITE		
ITEM DESCRIPTION		
VG-BWS-125-10	3 m	30 m

NOLU-S™ GUIDE		
ITEM DESCRIPTION		
VG-MBG-50-NS-10	3 m	30 m

Chains & sprockets	Wear strips	Side guide brackets & accessories	Levelers	Engineering manual
Modular belts & sprockets	Chain & belt return systems	Frame & structure supports	Bearing supports	
Curves & tracks	Side guide solutions	Miscellaneous products	Equipment	

50580a

WEAR STRIPS

www.SystemPlastSmartGuide.com

See other wear strips:
50580b

See chains infeed:
50600a

Version for inliners:
50610a



continue ▶

MATERIAL:

- Metal profile in stainless steel AISI 304, AISI 430 or anodized Aluminum.
- Wear strip in UHMWPE or Nolu-S™ wear strips.

CHARACTERISTICS:

- Very low friction coefficient.
- High resistance to chemical agents.
- No liquid absorption.

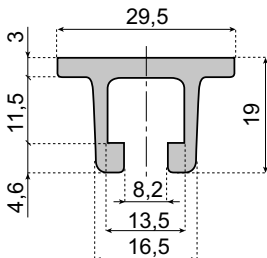
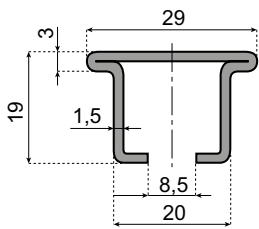
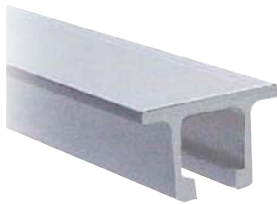
SUPPLY:

- 3 or 6 meters.

APPLICATION:

- Chain and belt guide.

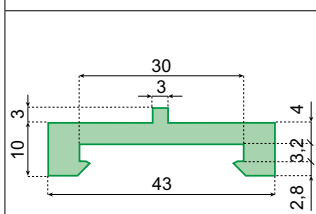
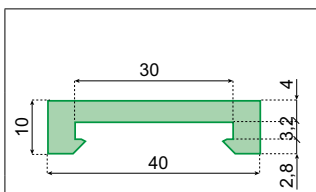
Information about this product is only available on our Smart Guide® website.



	SS 304	SS 430	Al-a		
	ITEM DESCRIPTION	ITEM DESCRIPTION	ITEM DESCRIPTION		
	VG-S330M-10	VG-S4-330M-10	-	3 m	30 m
	VG-S330M-20	VG-S4-330M-20	-	6 m	30 m
	-	-	VG-A330M-10	3 m	30 m
	-	-	VG-A330M-20	6 m	30 m

MOQ Min. order quantity: 180m.

	UHMWPE GREEN	UHMWPE BLACK	UHMWPE WHITE	UHMWPE ANTISTATIC BLACK	NOLU-S™ WEAR STRIPS			
	ITEM DESCRIPTION							
	VG-P330CM-G-10	VG-P330CM-B-10	VG-P330CM-W-10 mPa	VG-P330CM-SD-10 mPa	-	-	3 m	30 m
	VG-P330CM-G-20	VG-P330CM-B-20	VG-P330CM-W-20 mPa	VG-P330CM-SD-20 mPa	VG-P330CM-NS-20 mPa	-	6 m	30 m
	VG-P330CM-G-200	-	-	-	-	60 m	-	60 m
	VG-P330CRM-G-10	VG-P330CRM-B-10 mPa	-	VG-P330CRM-SD-10 mPa	-	-	3 m	30 m
	VG-P330CRM-G-20	VG-P330CRM-B-20 mPa	-	VG-P330CRM-SD-20 mPa	-	-	6 m	30 m



continue ▶

Chains & sprockets	Wear strips	Side guide brackets & accessories	Levelers	Engineering manual
Modular belts & sprockets	Chain & belt return systems	Frame & structure supports	Bearing supports	
Curves & tracks	Side guide solutions	Miscellaneous products	Equipment	

50580b

WEAR STRIPS

www.SystemPlastSmartGuide.com



◀ back continue ▶

Information about this product is only available on our Smart Guide® website.

MOQ Min. order quantity: 180m.

		UHMWPE GREEN	UHMWPE BLACK	UHMWPE WHITE	UHMWPE ANTISTATIC BLACK		
		ITEM DESCRIPTION					
	STEEL PROFILE IN AISI 304	VG-SP330CM-G-10	VG-SP330CM-B-10	VG-SP330CM-W-10 <small>MOQ</small>	VG-SP330CM-SD-10 <small>MOQ</small>	3 m	30 m
		VG-SP330CM-G-20	VG-SP330CM-B-20	VG-SP330CM-W-20 <small>MOQ</small>	VG-SP330CM-SD-20 <small>MOQ</small>	6 m	30 m
		VG-SP330CRM-G-10	VG-SP330CRM-B-10 <small>MOQ</small>	-	VG-SP330CRM-SD-10	3 m	30 m
		VG-SP330CRM-G-20	VG-SP330CRM-B-20 <small>MOQ</small>	-	VG-SP330CRM-SD-20 <small>MOQ</small>	6 m	30 m
	STEEL PROFILE IN AISI 430	VG-S4P330CM-G-10	VG-S4P330CM-B-10	VG-S4P330CM-W-10 <small>MOQ</small>	VG-S4P330CM-SD-10 <small>MOQ</small>	3 m	30 m
		VG-S4P330CM-G-20	VG-S4P330CM-B-20	VG-S4P330CM-W-20 <small>MOQ</small>	VG-S4P330CM-SD-20 <small>MOQ</small>	6 m	30 m
		VG-S4P330CRM-G-10	VG-S4P330CRM-B-10 <small>MOQ</small>	-	VG-S4P330CRM-SD-10 <small>MOQ</small>	3 m	30 m
		VG-S4P330CRM-G-20	VG-S4P330CRM-B-20 <small>MOQ</small>	-	VG-S4P330CRM-SD-20 <small>MOQ</small>	6 m	30 m
	ALUMINIUM PROFILE	VG-AP330CM-G-10	VG-AP330CM-B-10	VG-AP330CM-W-10 <small>MOQ</small>	VG-AP330CM-SD-10 <small>MOQ</small>	3 m	30 m
		VG-AP330CM-G-20	VG-AP330CM-B-20	VG-AP330CM-W-20 <small>MOQ</small>	VG-AP330CM-SD-20 <small>MOQ</small>	6 m	30 m
		VG-AP330CRM-G-10	VG-AP330CRM-B-10 <small>MOQ</small>	-	VG-AP330CRM-SD-10 <small>MOQ</small>	3 m	30 m
		VG-AP330CRM-G-20	VG-AP330CRM-B-20 <small>MOQ</small>	-	VG-AP330CRM-SD-20 <small>MOQ</small>	3 m	30 m

NOTE: The profiles on this page are supplied assembled.

◀ back continue ▶

Chains & sprockets	Wear strips	Side guide brackets & accessories	Levelers	Engineering manual
Modular belts & sprockets	Chain & belt return systems	Frame & structure supports	Bearing supports	
Curves & tracks	Side guide solutions	Miscellaneous products	Equipment	

50600a

WEAR STRIPS ACCESSORIES

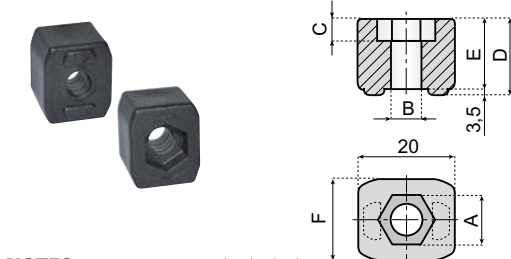
FOR ALUMINUM AND STEEL PROFILE

www.SystemPlastSmartGuide.com

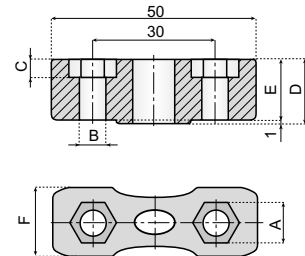


APPLICATION: rapid wear strip assembly with M6 or M8 screws.

◀ back continue ▶



FOR SCREWS		
	M6	M8
A	10	13
B	6,2	8,2
C	4,5	6

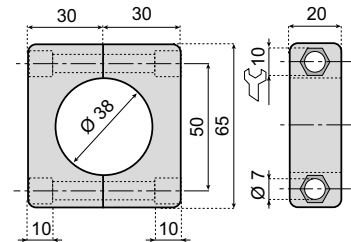
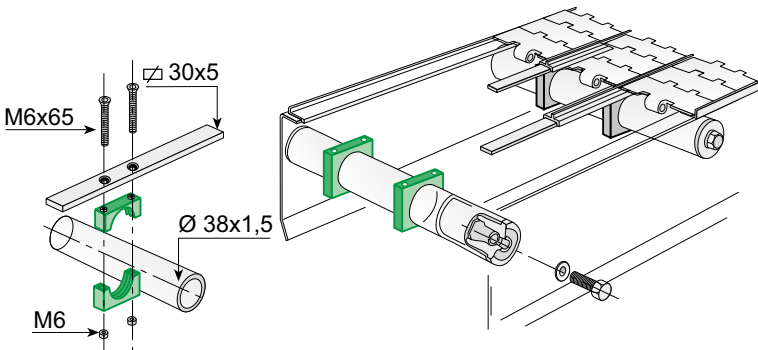


NOTES: screws are not included.

NOTES: screws are not included.

FOR PROFILE	D	E	F	ITEM DESCRIPTION		📦
				M6	M8	
	16	15	16,5	BCK-S330-M6	BCK-S330-M8	100
	14	10,5	13,5	BCK-A330-M6	-	

FOR PROFILE	D	E	F	ITEM DESCRIPTION		📦
				M6	M8	
	16	15	16,5	CON-S330-M6	CON-S330-M8	100
	14	10,5	13,5	CON-A330-M6	-	



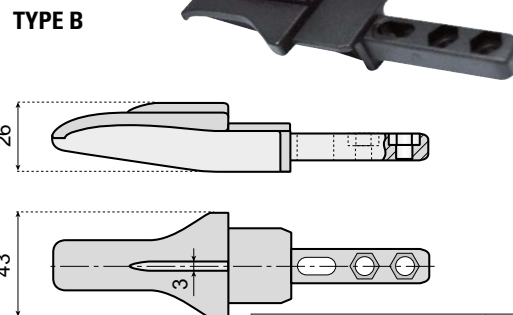
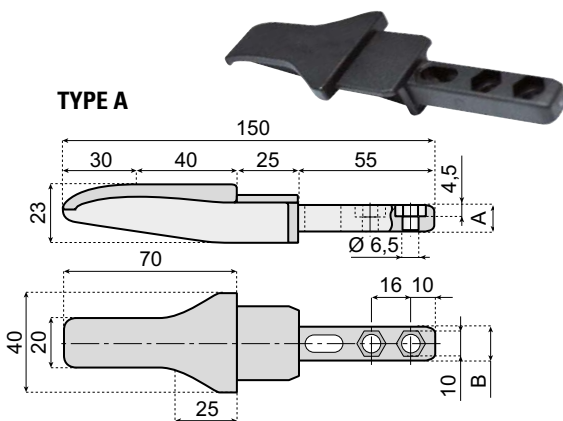
WEARSTRIP CLAMP

APPLICATION: support of wear strip

NOTES: screws are not included.

PA-FG BLACK		📦
ITEM DESCRIPTION		
CL-6065X38		50

CHAIN INFEEED FOR ALUMINUM AND STAINLESS STEEL PROFILE



APPLICATION: shoes are used to help chain guide between idler wheels and wear strip and must be fixed with M6 screws.



FOR PROFILE	FOR SCREWS	A	B	TYPE A for chain L=82.5 mm at pitch 85mm		TYPE B for chain L=82.5 mm at pitch 88mm		📦
				PA BLACK	PA BLACK	PA BLACK	PA BLACK	
				ITEM DESCRIPTION	ITEM DESCRIPTION			
	M6	16	17	CSHOE-S330	CSHOE-S330T	50		
	M6	11	13,5	CSHOE-A330	-			

◀ back continue ▶

Chains & sprockets	Wear strips	Side guide brackets & accessories	Levelers	Engineering manual
Modular belts & sprockets	Chain & belt return systems	Frame & structure supports	Bearing supports	
Curves & tracks	Side guide solutions	Miscellaneous products	Equipment	

50600b

CHAIN INFEED SHOE LATERAL VERSION FOR STEEL PROFILE

www.SystemPlastSmartGuide.com



◀ back continue ▶

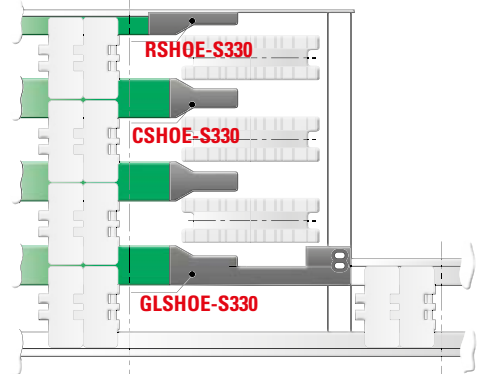
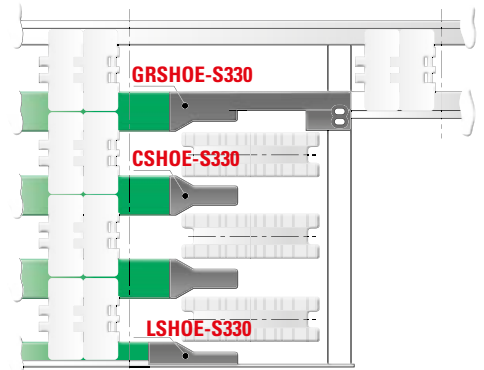
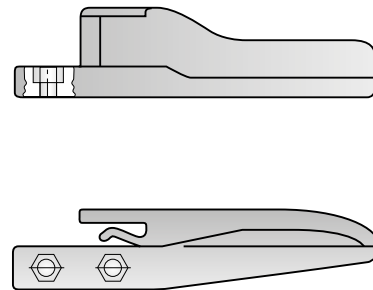
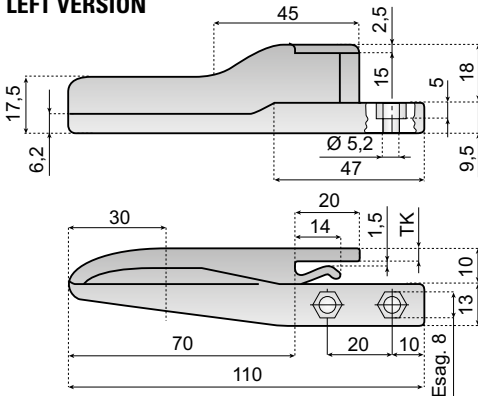
APPLICATION: shoes are used to help chain guide between idler wheels and wear strip and must be fixed with M5 screws.

Information about this product is only available on our Smart Guide® website.



LEFT VERSION

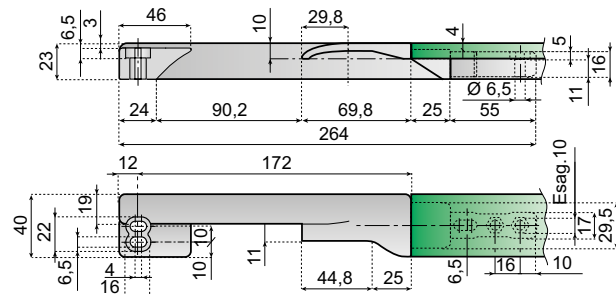
RIGHT VERSION



FOR PROFILE	FOR SCREWS	TK mm	LEFT VERSION	RIGHT VERSION	
			PA BLACK ITEM DESCRIPTION	PA BLACK ITEM DESCRIPTION	
	M5	3	LSHOE-S330	RSHOE-S330	50

CHAIN INFEED SHOE TRANSFER VERSION

APPLICATION: shoes are used to help chain guide between idler wheels and wear strip and must be fixed with M6 screws.



SIDE TRANSFER GUIDE SHOE - LEFT VERSION

SIDE TRANSFER GUIDE SHOE - RIGHT VERSION

FOR PROFILE	PA BLACK ITEM DESCRIPTION	FOR SCREWS	
	GLSHOE-S330	M6	10

FOR PROFILE	PA BLACK ITEM DESCRIPTION	FOR SCREWS	
	GRSHOE-S330	M6	10

◀ back continue ▶

Chains & sprockets	Wear strips	Side guide brackets & accessories	Levelers	Engineering manual
Modular belts & sprockets	Chain & belt return systems	Frame & structure supports	Bearing supports	
Curves & tracks	Side guide solutions	Miscellaneous products	Equipment	

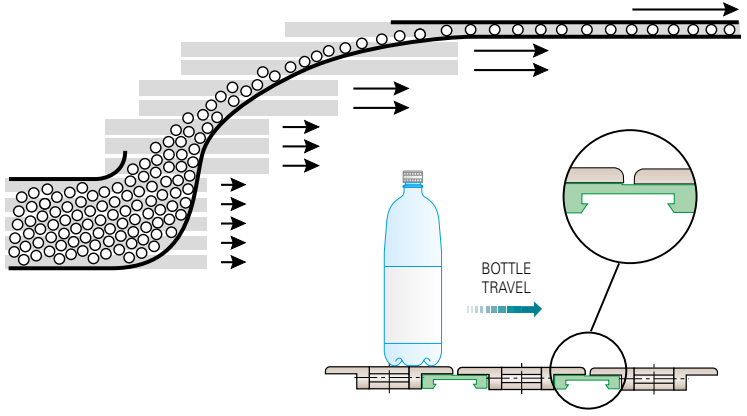
5 0 6 1 0 a

WEAR STRIPS

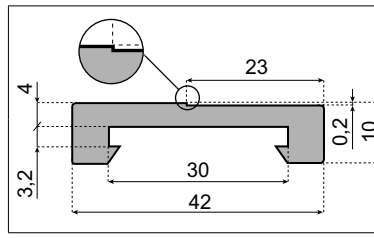
www.SystemPlastSmartGuide.com



◀ back



Staggered wear strips are ideal for pressureless combiners. By using these wear strips you can be sure that the product moves freely across the chains. During installation the correct orientation of the profiles has to be respected.



NOLU-S™ WEAR STRIPS		
ITEM DESCRIPTION		
VG-P330CWSM-NS-10	3 m	30 m
VG-P330CWSM-NS-20	6 m	30 m

See other wear strips:
5 0 5 8 0 a

See chains infeed:
5 0 6 0 0 a

MATERIAL:
Extruded ultra high molecular weight polyethylene.
Max. continuous service temperature in air 90° C.
Water absorption coefficient = 0.

NOTES: this profile can be used in combination with steel profiles S330 and aluminum profiles A330

CHAIN GUIDE WEAR STRIPS

ASSEMBLY	THERMAL EXPANSION	FIXING	SIDE GUIDE
<p>Notes: Steel profile and wear strip can be assembled by using a rubber hammer.</p>	<p>Notes: -Coefficient of linear expansion of wear strip between + 20° C and + 120° C = 0.2 mm/m °C. -Max. continuous service temperature in air: 90° C. -Water absorption = 0.</p>	<p>Notes: rapid wear strip assembly with fixing clamps and connecting elements. See following pages for Item Descriptions.</p>	<p>Application: these profiles can also be used as a side guide.</p>

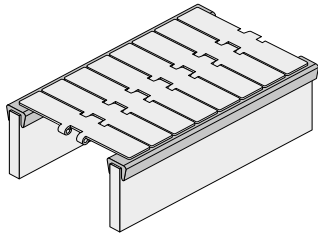
◀ back

Chains & sprockets	Wear strips	Side guide brackets & accessories	Levelers	Engineering manual
Modular belts & sprockets	Chain & belt return systems	Frame & structure supports	Bearing supports	
Curves & tracks	Side guide solutions	Miscellaneous products	Equipment	

50650a

BAR CAPS

www.SystemPlastSmartGuide.com



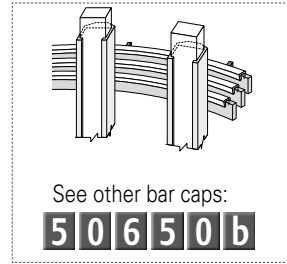
MATERIAL:

Extruded ultra high molecular weight polyethylene.

** Extruded high molecular weight polyethylene.

Max. continuous service temperature in air 90° C.

Water absorption coefficient = 0.



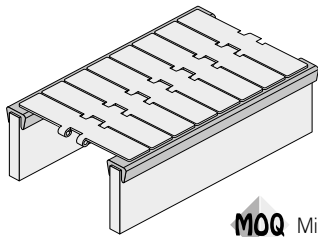
		NOLU-SR™ DARK GREY	NOLU-S™ BAR CAPS	** HMWPE WHITE New	UHMWPE WHITE			
		ITEM DESCRIPTION						
	VG-P105RCL-100	VG-P105R-100	-	-	30 m	-	30 m	
	VG-P105RCL-250	VG-P105R-250	-	-	75 m	-	75 m	
	-	VG-P18BC-NS-100	-	VG-P18BC-100	30 m	-	30 m	
	-	VG-PM4BC-NS-100	-	VG-PM4BC-100	30 m	-	30 m	
	-	-	-	VG-PM4BC-250	75 m	-	75 m	
	-	-	-	VG-P316BC-100	30 m	-	30 m	
	-	-	-	VG-P7GABC-100	30 m	-	30 m	
	VG-P58MR-NSR-100	-	VG-P58MR-W-100	VG-P58MR-100	30 m	-	30 m	

Chains & sprockets	Wear strips	Side guide brackets & accessories	Levelers	Engineering manual
Modular belts & sprockets	Chain & belt return systems	Frame & structure supports	Bearing supports	
Curves & tracks	Side guide solutions	Miscellaneous products	Equipment	

50650b

BAR CAPS

www.SystemPlastSmartGuide.com



MOQ Min. order quantity: 252 m

MATERIAL:

Extruded ultra high molecular weight polyethylene.
 ** Extruded high molecular weight polyethylene.
 Max. continuous service temperature in air 90° C.
 Water absorption coefficient = 0.



		NOLU-S™ BAR CAP	** HMWPE WHITE <i>New</i>	UHMWPE WHITE			
		ITEM DESCRIPTION					
		VG-P14BC-NS-100	-	VG-P14BC-100	30 m	-	30 m
		VG-P516BC-NS-100	-	VG-P516BC-100	30 m	-	30 m
		VG-PM10BC-NS-250	-	VG-PM10BC-250	75 m	-	75 m
		VG-P7GAHD-NS-20	-	VG-P7GAHD-20		6 m	60 m
		-	-	VG-P18HD-20		6 m	60 m
		-	-	VG-P316HD-20		6 m	60 m
		-	-	VG-P14HD-20		6 m	60 m
		-	VG-P1x1BC-W-20	-	6 m	-	6 m

Chains & sprockets	Wear strips	Side guide brackets & accessories	Levelers	Engineering manual
Modular belts & sprockets	Chain & belt return systems	Frame & structure supports	Bearing supports	
Curves & tracks	Side guide solutions	Miscellaneous products	Equipment	

5 0 6 5 0 z

APPLICATION EXAMPLES

www.SystemPlastSmartGuide.com



CHAIN & BELT SUPPORT SYSTEM.

For details, go to:

5 0 5 8 0 a



BAR CAP PROFILES FOR SPIRAL CONVEYOR SYSTEMS.

For details, go to:

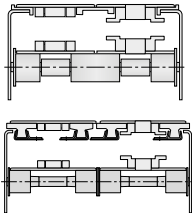
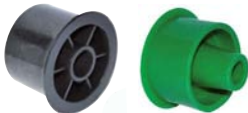

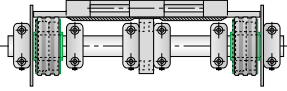

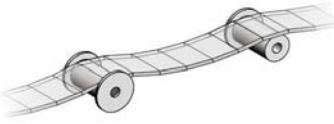




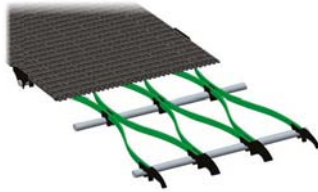




5 0 5 6 0 a

Chains & sprockets	Wear strips	Side guide brackets & accessories	Levelers	Engineering manual
Modular belts & sprockets	Chain & belt return systems	Frame & structure supports	Bearing supports	
Curves & tracks	Side guide solutions	Miscellaneous products	Equipment	

5 1 0 1 0 a

INDEX CHAIN & BELT ROLLERS SYSTEMS

www.SystemPlastSmartGuide.com

		Chain return rollers 85 mm center distance	5 1 0 2 0 a BLACK COLOR  5 1 0 6 0 a GREEN COLOR
		Chain return rollers Other center distances	5 1 0 3 0 a
		Watertight return rollers 27mm versions	5 1 0 4 0 a
		Watertight return rollers 40/43mm versions	5 1 0 5 0 a
		Watertight return rollers 82/85mm versions	5 1 0 8 0 a STANDARD  5 1 1 1 0 a SOLID VERSION
		Flanges for Return Rollers	5 1 0 9 0 a
		Wear strip & Clamps for serpentine system	5 1 1 2 0 a
		Little striker & Striker for serpentine system	5 1 1 3 0 a
		Single spacer & Shoe wear strip for serpentine system	5 1 1 5 0 a
		Washer & Sliding shoe for serpentine system	 5 1 1 6 0 a
		Wearshoes for return system	5 1 1 7 0 a



Information about this product is only available on our Smart Guide® website.

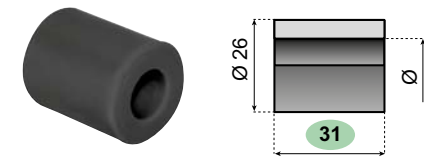
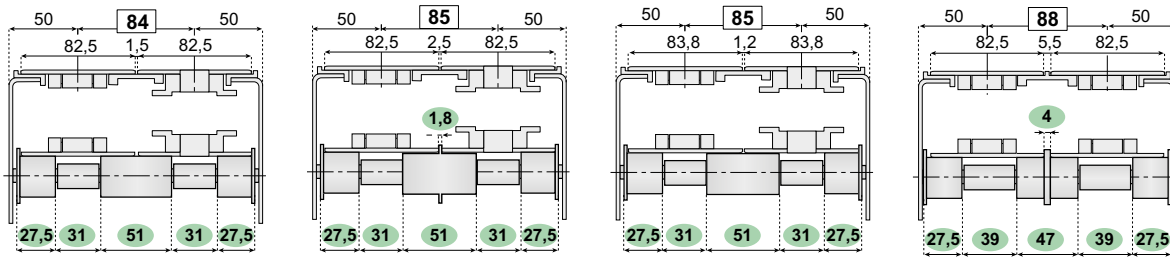
Chains & sprockets	Wear strips	Side guide brackets & accessories	Levelers	Engineering manual
Modular belts & sprockets	Chain & belt return systems	Frame & structure supports	Bearing supports	
Curves & tracks	Side guide solutions	Miscellaneous products	Equipment	



51020a

CHAIN RETURN ROLLERS

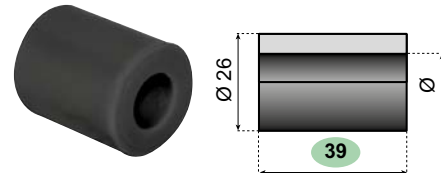
www.SystemPlastSmartGuide.com



SPACER (LENGTH 31 mm)

MATERIAL	FOR ROD				
	Ø 12	Ø 16	Ø 18	Ø 20	
ITEM DESCRIPTION					
PA BLACK	R-26B12ML31-PAB	R-26B16ML31-PAB	R-26B18ML31-PAB	R-26B20ML31-PAB	100

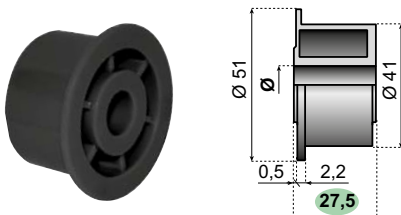
External diameter **Ø 26**



SPACER (LENGTH 39 mm)

MATERIAL	FOR ROD				
	Ø 12	Ø 16	Ø 18	Ø 20	
ITEM DESCRIPTION					
PA BLACK	R-26B12ML39-PAB	R-26B16ML39-PAB	R-26B18ML39-PAB	R-26B20ML39-PAB	100

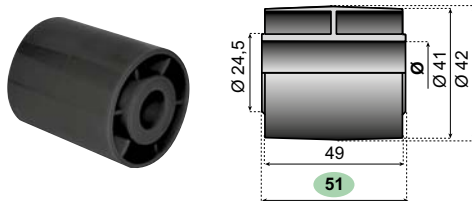
External diameter **Ø 26**



RETURN ROLLER WITH FLANGE

MATERIAL	FOR ROD				
	Ø 12	Ø 16	Ø 18	Ø 20	
ITEM DESCRIPTION					
PE-HD BLACK	RF-41B12ML28-PEB	RF-41B16ML28-PEB	RF-41B18ML28-PEB	RF-41B20ML28-PEB	100

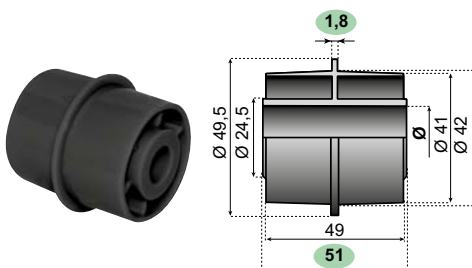
External diameter **Ø 41**



RETURN ROLLER

MATERIAL	FOR ROD				
	Ø 12	Ø 16	Ø 18	Ø 20	
ITEM DESCRIPTION					
PE-HD BLACK	R-41B12ML51-PEB	R-41B16ML51-PEB	R-41B18ML51-PEB	R-41B20ML51-PEB	100

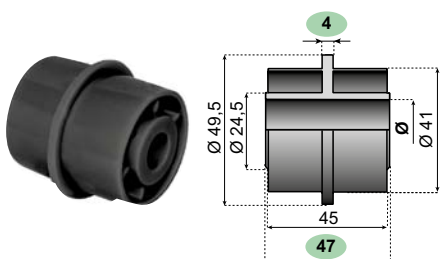
External diameter **Ø 42**



RETURN ROLLER WITH CENTER FLANGE

MATERIAL	FOR ROD				
	Ø 12	Ø 16	Ø 18	Ø 20	
ITEM DESCRIPTION					
PE-HD BLACK	RF-41B12ML51-PEB	RF-41B16ML51-PEB	RF-41B18ML51-PEB	RF-41B20ML51-PEB	100

External diameter **Ø 42**



RETURN ROLLER WITH CENTER FLANGE

MATERIAL	FOR ROD				
	Ø 12	Ø 16	Ø 18	Ø 20	
ITEM DESCRIPTION					
PE-HD BLACK	RF-41B12ML47-PEB	RF-41B16ML47-PEB	RF-41B18ML47-PEB	RF-41B20ML47-PEB	100

External diameter **Ø 41**

Also available in green color. Go to: [51060a](#)



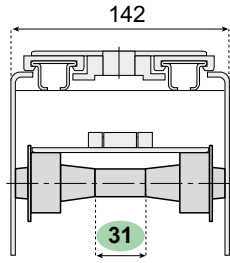
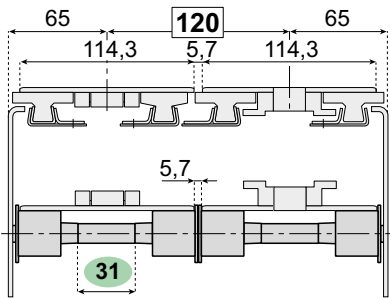
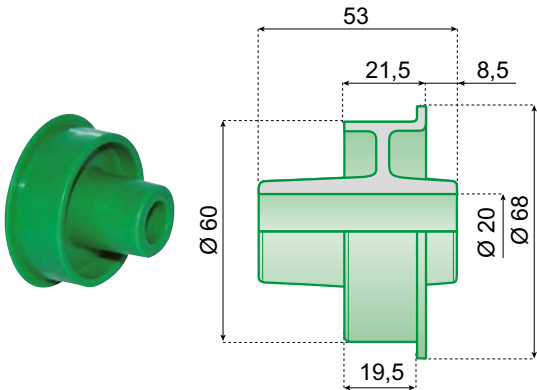
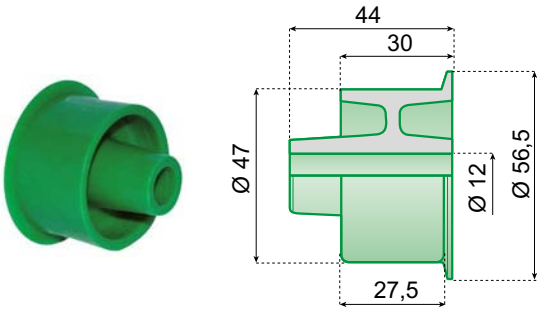
Information about this product is only available on our Smart Guide® website.

Chains & sprockets	Wear strips	Side guide brackets & accessories	Levelers	Engineering manual
Modular belts & sprockets	Chain & belt return systems	Frame & structure supports	Bearing supports	
Curves & tracks	Side guide solutions	Miscellaneous products	Equipment	

5 1 0 3 0 a

CHAIN RETURN ROLLERS

www.SystemPlastSmartGuide.com



Go to: **5 1 0 2 0 a**

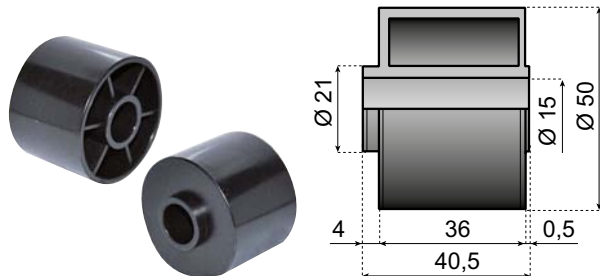
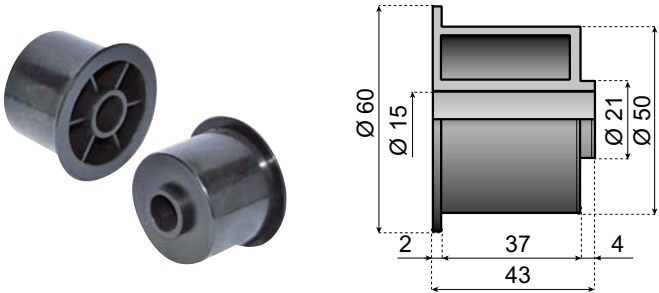
Go to: **5 1 0 2 0 a**

RETURN ROLLER WITH FLANGE

Ø 47 External diameter	SHAFT Ø12	
MATERIAL	ITEM DESCRIPTION	
PE-HD GREEN	RF-47B12ML44-PEG	100

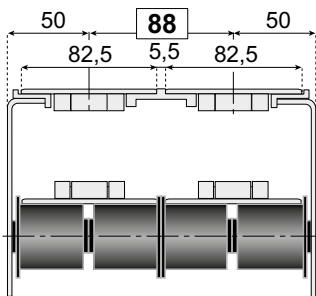
RETURN ROLLER WITH FLANGE

Ø 60 External diameter	FOR ROD Ø 20	
MATERIAL	ITEM DESCRIPTION	
PE-HD GREEN	RF-60B20ML53-PEG	100



RETURN ROLLER WITH FLANGE

Ø 50 External diameter	FOR ROD Ø 15	
MATERIAL	ITEM DESCRIPTION	
PE-HD BLACK	RF-50B15ML43-PEB	100



RETURN ROLLER

Ø 50 External diameter	FOR ROD Ø 15	
MATERIAL	ITEM DESCRIPTION	
PE-HD BLACK	RF-50B15ML41-PEB	100

Chains & sprockets	Wear strips	Side guide brackets & accessories	Levelers	Engineering manual
Modular belts & sprockets	Chain & belt return systems	Frame & structure supports	Bearing supports	
Curves & tracks	Side guide solutions	Miscellaneous products	Equipment	

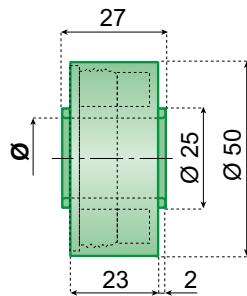
5 1 0 4 0 a

ROLLERS FOR RETURN OF CHAINS & BELTS

www.SystemPlastSmartGuide.com



External diameter

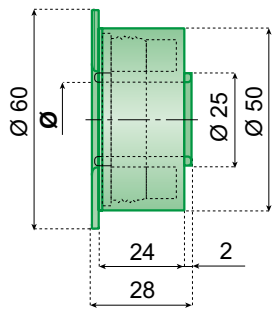
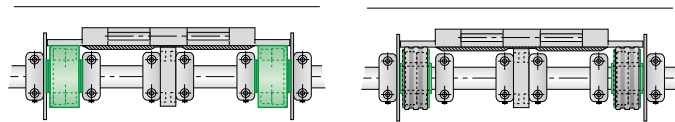


CHARACTERISTICS:

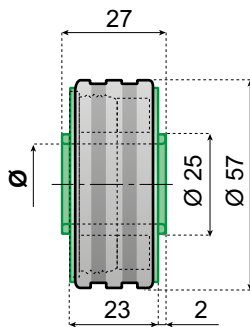
- Very low friction coefficient.
- No liquid absorption.
- Excellent wear and chemical resistance.
- Completely closed structure, easier to clean and disinfect.
- Watertight.

WATERTIGHT ROLLER

MATERIAL	FOR ROD			
	Ø 16	Ø 18	Ø 20	
ITEM DESCRIPTION				
PE-HD GREEN	R-50B16ML27-PEG	R-50B18ML27-PEG	R-50B20ML27-PEG	100
VERSION WITH FLANGE				
PE-HD GREEN	RF-50B16ML28-PEG	RF-50B18ML28-PEG	RF-50B20ML28-PEG	100



VERSION WITH FLANGE

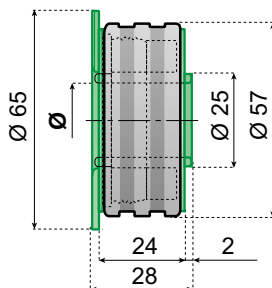


WATERTIGHT ROLLER WITH RUBBER

MATERIAL	FOR ROD			
	Ø 16	Ø 18	Ø 20	
ITEM DESCRIPTION				
PE-HD GREEN	RR-57B16ML27-PEG	RR-57B18ML27-PEG	RR-57B20ML27-PEG	100
VERSION WITH FLANGE				
PE-HD GREEN	RRF-57B16ML28-PEG	RRF-57B18ML28-PEG	RRF-57B20ML28-PEG	100

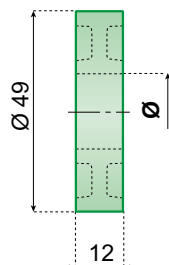


External diameter



VERSION WITH FLANGE

RUBBER MATERIAL: TPR



ROLLER

MATERIAL	FOR ROD			
	Ø 16	Ø 18	Ø 20	
ITEM DESCRIPTION				
PP GREEN	R-49B16ML12-PPG	R-49B18ML12-PPG	R-49B20ML12-PPG	100

Chains & sprockets	Wear strips	Side guide brackets & accessories	Levelers	Engineering manual
Modular belts & sprockets	Chain & belt return systems	Frame & structure supports	Bearing supports	
Curves & tracks	Side guide solutions	Miscellaneous products	Equipment	

5 1 0 5 0 a

ROLLERS FOR RETURN OF CHAINS & BELTS

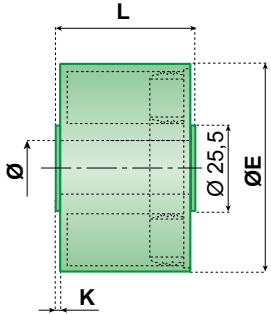
www.SystemPlastSmartGuide.com



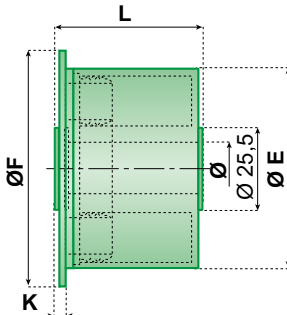
CHARACTERISTICS:

- Very low friction coefficient.
- No liquid absorption.
- Excellent wear and chemical resistance.
- Completely closed structure, easier to clean and disinfect.
- Watertight.

External diameter **Ø 50** **Ø 60**



VERSION WITH FLANGE

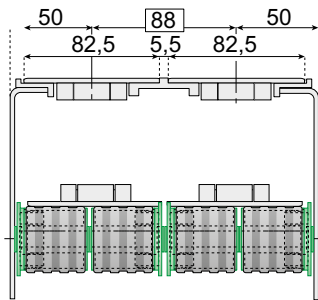
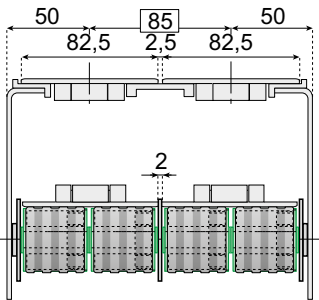
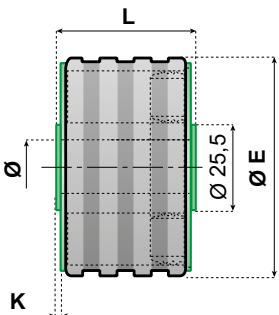


WATERTIGHT ROLLER

MATERIAL	ØE	ØF	L	K	FOR ROD			Item Description Icon
					Ø 16	Ø 18	Ø 20	
					ITEM DESCRIPTION			
PE-HD GREEN	50	-	40,5	1,5	R-50B16ML41-PEG	R-50B18ML41-PEG	R-50B20ML41-PEG	100
		-	43	4	R-50B16ML43-PEG	R-50B18ML43-PEG	R-50B20ML43-PEG	
	60	-	40,5	1,5	R-60B16ML41-PEG	R-60B18ML41-PEG	R-60B20ML41-PEG	
VERSION WITH FLANGE								
PE-HD GREEN	50	65	43	4	RF-50B16ML43-PEG	RF-50B18ML43-PEG	RF-50B20ML43-PEG	100
	60	75			RF-60B16ML43-PEG	RF-60B18ML43-PEG	RF-60B20ML43-PEG	

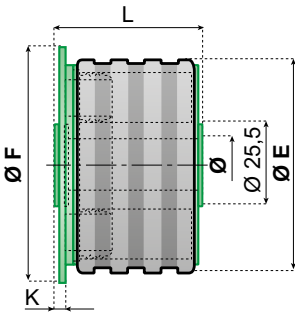
CHARACTERISTICS:

- Reduced noise level with rubber
- Very low friction coefficient.
- No liquid absorption.
- Excellent wear and chemical resistance.
- Completely closed structure, easier to clean and disinfect.
- Watertight.



External diameter **Ø 57** **Ø 67**

VERSION WITH FLANGE



WATERTIGHT ROLLER WITH RUBBER

MATERIAL	ØE	ØF	L	K	FOR ROD			Item Description Icon
					Ø 16	Ø 18	Ø 20	
					ITEM DESCRIPTION			
PE-HD GREEN	57	-	40,5	1,5	RR-57B16ML41-PEG	RR-57B18ML41-PEG	RR-57B20ML41-PEG	100
		-	43	4	RR-57B16ML43-PEG	RR-57B18ML43-PEG	RR-57B20ML43-PEG	
	67	-	40,5	1,5	RR-67B16ML41-PEG	RR-67M18ML41-PEG	RR-67B20ML41-PEG	
VERSION WITH FLANGE								
PE-HD GREEN	57	65	43	4	RRF-57B16ML43-PEG	RRF-57B18ML43-PEG	RRF-57B20ML43-PEG	100

RUBBER MATERIAL: TPR

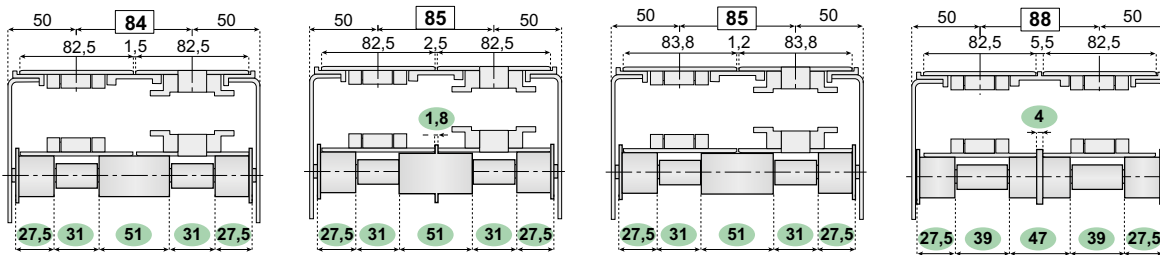
Rollers with Diam. 67mm also available in black color. Min. order quantity: 300 pcs.

Chains & sprockets	Wear strips	Side guide brackets & accessories	Levelers	Engineering manual
Modular belts & sprockets	Chain & belt return systems	Frame & structure supports	Bearing supports	
Curves & tracks	Side guide solutions	Miscellaneous products	Equipment	

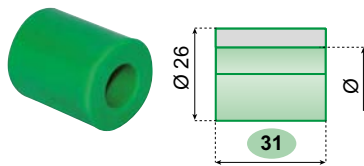
51060a

CHAIN RETURN ROLLERS

www.SystemPlastSmartGuide.com



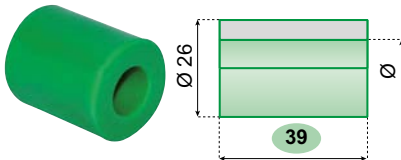
SPACER (LENGTH 31 mm)



MATERIAL	FOR ROD				
	Ø 12	Ø 16	Ø 18	Ø 20	
	ITEM DESCRIPTION				
PA GREEN	R-26B12ML31-PAG ^{MOQ}	R-26B16ML31-PAG ^{MOQ}	R-26B18ML31-PAG ^{MOQ}	R-26B20ML31-PAG ^{MOQ}	100

External diameter **Ø 26**

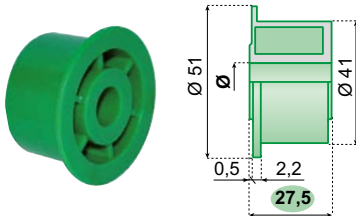
SPACER (LENGTH 39 mm)



MATERIAL	FOR ROD				
	Ø 12	Ø 16	Ø 18	Ø 20	
	ITEM DESCRIPTION				
PA GREEN	R-26B12ML39-PAG ^{MOQ}	R-26B16ML39-PAG ^{MOQ}	R-26B18ML39-PAG ^{MOQ}	R-26B20ML39-PAG ^{MOQ}	100

External diameter **Ø 26**

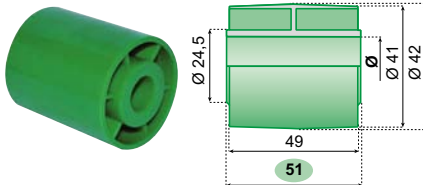
RETURN ROLLER WITH FLANGE



MATERIAL	FOR ROD				
	Ø 12	Ø 16	Ø 18	Ø 20	
	ITEM DESCRIPTION				
PE-HD GREEN	RF-41B12ML28-PEG ^{MOQ}	RF-41B16ML28-PEG ^{MOQ}	RF-41B18ML28-PEG ^{MOQ}	RF-41B20ML28-PEG ^{MOQ}	100

External diameter **Ø 41**

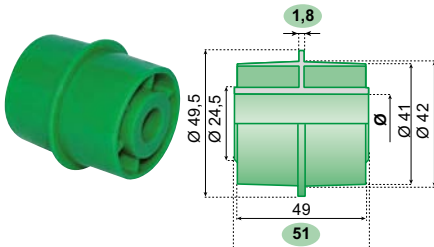
RETURN ROLLER



MATERIAL	FOR ROD				
	Ø 12	Ø 16	Ø 18	Ø 20	
	ITEM DESCRIPTION				
PE-HD GREEN	R-41B12ML51-PEG ^{MOQ}	R-41B16ML51-PEG ^{MOQ}	R-41B18ML51-PEG ^{MOQ}	R-41B20ML51-PEG ^{MOQ}	100

External diameter **Ø 42**

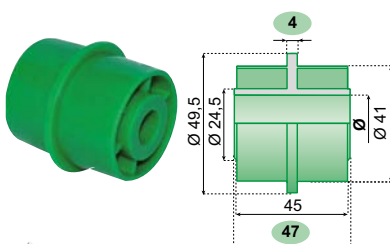
RETURN ROLLER WITH CENTER FLANGE



MATERIAL	FOR ROD				
	Ø 12	Ø 16	Ø 18	Ø 20	
	ITEM DESCRIPTION				
PE-HD GREEN	RF-41B12ML51-PEG ^{MOQ}	-	RF-41B18ML51-PEG ^{MOQ}	RF-41B20ML51-PEG ^{MOQ}	100

External diameter **Ø 42**

RETURN ROLLER WITH CENTER FLANGE



MATERIAL	FOR ROD				
	Ø 12	Ø 16	Ø 18	Ø 20	
	ITEM DESCRIPTION				
PE-HD GREEN	RF-41B12ML47-PEG ^{MOQ}	RF-41B16ML47-PEG ^{MOQ}	RF-41B18ML47-PEG ^{MOQ}	-	100

External diameter **Ø 41**

MOQ Min. order quantity: 500 pcs.

Information about this product is only available on our Smart Guide® website.

Also available in black color. Go to: **51020a**

Chains & sprockets	Wear strips	Side guide brackets & accessories	Levelers	Engineering manual
Modular belts & sprockets	Chain & belt return systems	Frame & structure supports	Bearing supports	
Curves & tracks	Side guide solutions	Miscellaneous products	Equipment	

5 1 0 8 0 a

RETURN ROLLERS POLYETHYLENE

www.SystemPlastSmartGuide.com

CHARACTERISTICS:

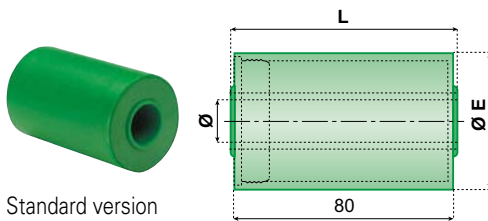
- Very low friction coefficient
- No liquid absorption
- Excellent wear and chemical resistance
- Completely closed structure, easier to clean and disinfect
- Watertight

Also available with improved chemical resistance, go to:

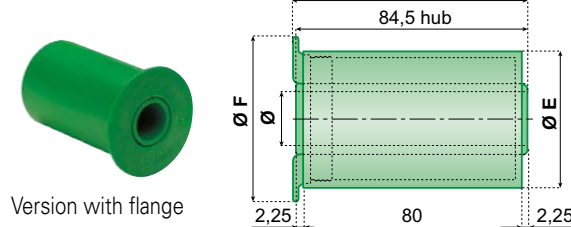
5 1 1 1 0 a



Information about this product is only available on our Smart Guide® website.



Standard version



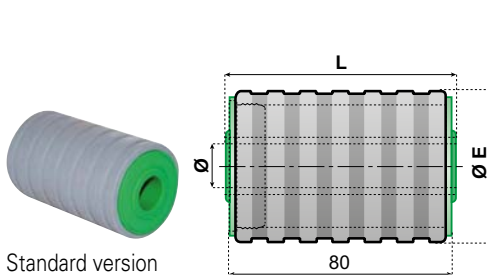
Version with flange

WATERTIGHT ROLLER

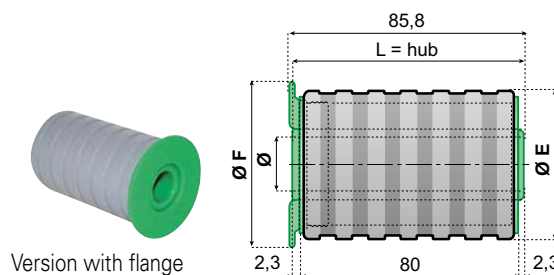
MATERIAL	Ø E	L	F	FOR ROD					ITEM DESCRIPTION
				Ø 12	Ø 14	Ø 16	Ø 18	Ø 20	
STANDARD VERSION									
PE-HD GREEN	40	82,5	-	-	-	R-40B16ML83-PEG	R-40B18ML83-PEG	R-40B20ML83-PEG	50
		84,5	-	-	-	R-40B16ML85-PEG	R-40B18ML85-PEG	R-40B20ML85-PEG	
	50	82,5	-	-	-	R-50B16ML83-PEG	R-50B18ML83-PEG	R-50B20ML83-PEG	
		84,5	-	-	-	R-50B16ML85-PEG	R-50B18ML85-PEG	R-50B20ML85-PEG	
	60	82,5	-	-	-	R-60B16ML83-PEG	R-60B18ML83-PEG	R-60B20ML83-PEG	
		84,5	-	R-60B12ML85-PEG	R-60B14ML85-PEG	R-60B16ML85-PEG	R-60B18ML85-PEG	R-60B20ML85-PEG	
VERSION WITH FLANGE									
PE-HD GREEN	40	85,8	55	-	-	RF-40B16ML86-PEG	RF-40B18ML86-PEG	RF-40B20ML86-PEG	50
	50	85,8	65	-	-	RF-50B16ML86-PEG	RF-50B18ML86-PEG	RF-50B20ML86-PEG	
	60	85,8	65	RF-60B12ML86-PEG	RF-60B14ML86-PEG	RF-60B16ML86-PEG	RF-60B18ML86-PEG	RF-60B20ML86-PEG	



External diameter



Standard version



Version with flange

WATERTIGHT ROLLER WITH RUBBER

MATERIAL	Ø E	L	F	FOR ROD			ITEM DESCRIPTION
				Ø 16	Ø 18	Ø 20	
STANDARD VERSION							
PE-HD GREEN	47	82,5	-	RR-47B16ML83-PEG	RR-47B18ML83-PEG	RR-47B20ML83-PEG	50
		84,5	-	RR-47B16ML85-PEG	RR-47B18ML85-PEG	RR-47B20ML85-PEG	
	57	82,5	-	RR-57B16ML83-PEG	RR-57B18ML83-PEG	RR-57B20ML83-PEG	
		84,5	-	RR-57B16ML85-PEG	RR-57B18ML85-PEG	RR-57B20ML85-PEG	
	67	82,5	-	RR-67B16ML83-PEG	RR-67B18ML83-PEG	RR-67B20ML83-PEG	
		84,5	-	RR-67B16ML85-PEG	RR-67B18ML85-PEG	RR-67B20ML85-PEG	
VERSION WITH FLANGE							
PE-HD GREEN	47	85,8	55	RRF-40B16ML86-PEG	RRF-40B18ML86-PEG	RRF-40B20ML86-PEG	50
	57	85,8	65	RRF-50B16ML86-PEG	RRF-50B18ML86-PEG	RRF-50B20ML86-PEG	
	67	85,8	75	RRF-60B16ML86-PEG	RRF-60B18ML86-PEG	RRF-60B20ML86-PEG	



External diameter

CHARACTERISTICS:

- Reduced noise level
- Very low friction coefficient
- No liquid absorption
- Excellent wear and chemical resistance
- Completely closed structure, easier to clean and disinfect
- Watertight

RUBBER MATERIAL: TPR

Chains & sprockets	Wear strips	Side guide brackets & accessories	Levelers	Engineering manual
Modular belts & sprockets	Chain & belt return systems	Frame & structure supports	Bearing supports	
Curves & tracks	Side guide solutions	Miscellaneous products	Equipment	



5 1 0 9 0 a

FLANGES FOR RETURN ROLLERS

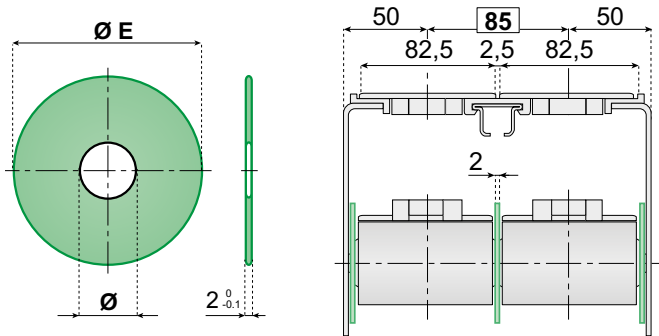
www.SystemPlastSmartGuide.com



GUIDE FLANGE

CHARACTERISTICS:

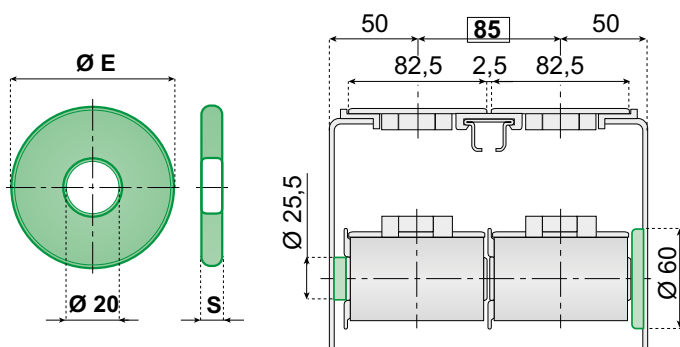
- No liquid absorption.
- Excellent wear and chemical resistance.



GUIDE FLANGE

MATERIAL	Ø E	FOR PIN				
		Ø 14	Ø 16	Ø 18	Ø 20	
ITEM DESCRIPTION						
PP GREEN	50	F-50B14ML2-PPG <small>MOQ</small>	F-50B16ML2-PPG <small>MOQ</small>	F-50B18ML2-PPG	F-50B20ML2-PPG	100
	60	F-60B14ML2-PPG <small>MOQ</small>	F-60B16ML2-PPG <small>MOQ</small>	F-60B18ML2-PPG	F-60B20ML2-PPG	
	70	F-70B14ML2-PPG	F-70B16ML2-PPG	F-70B18ML2-PPG	F-70B20ML2-PPG	
	75	F-75B14ML2-PPG	-	F-75B18ML2-PPG	F-75B20ML2-PPG	
	100	-	-	F-100B18ML2-PPG	F-100B20ML2-PPG	

MOQ Min. order quantity: 250 pcs.



GUIDE FLANGE

MATERIAL	Ø E	S	FOR PIN	
			Ø 20	
ITEM DESCRIPTION				
PP GREEN	25,5	7,25	F-26B20ML7-PPG	100
	60	7,25	F-60B20ML7-PPG	
	90	5	F-90B20ML5-PPG	

Chains & sprockets	Wear strips	Side guide brackets & accessories	Levelers	Engineering manual
Modular belts & sprockets	Chain & belt return systems	Frame & structure supports	Bearing supports	
Curves & tracks	Side guide solutions	Miscellaneous products	Equipment	

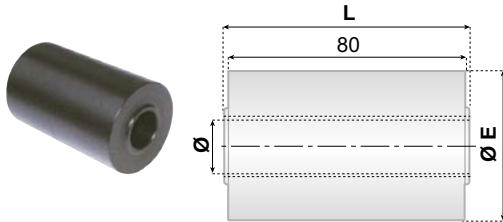
5 1 1 1 0 a

SOLID ROLLERS FOR CHAINS AND BELTS

www.SystemPlastSmartGuide.com

Also available in PE Material, watertight version, go to:

5 1 0 8 0 a



WATERTIGHT ROLLER

CHARACTERISTICS:

- Very low friction coefficient.
- No liquid absorption.
- Excellent wear and chemical resistance.
- Completely closed structure.
- Watertight.

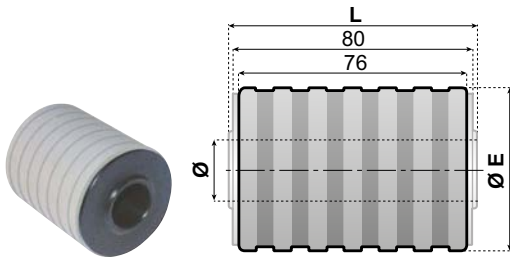
WATERTIGHT ROLLER

MATERIAL	Ø E	L	FOR ROD				ITEM DESCRIPTION	50
			Ø 15	Ø 16	Ø 18	Ø 20		
PE BLACK	40	82,5	R-40B15ML83-PEB-S	R-40B16ML83-PEB-S	R-40B18ML83-PEB-S	R-40B20ML83-PEB-S	50	
		84,5	R-40B15ML85-PEB-S	R-40B16ML85-PEB-S	R-40B18ML85-PEB-S	R-40B20ML85-PEB-S		
	50	82,5	R-50B15ML83-PEB-S	R-50B16ML83-PEB-S	R-50B18ML83-PEB-S	R-50B20ML83-PEB-S		
		84,5	R-50B15ML85-PEB-S	R-50B16ML85-PEB-S	R-50B18ML85-PEB-S	R-50B20ML85-PEB-S		
	60	82,5	R-60B15ML83-PEB-S	R-60B16ML83-PEB-S	R-60B18ML83-PEB-S	R-60B20ML83-PEB-S		
		84,5	R-60B15ML85-PEB-S	R-60B16ML85-PEB-S	R-60B18ML85-PEB-S	R-60B20ML85-PEB-S		



External diameter

MOQ Min. order quantity: 100 pcs.



WATERTIGHT ROLLER WITH RUBBER

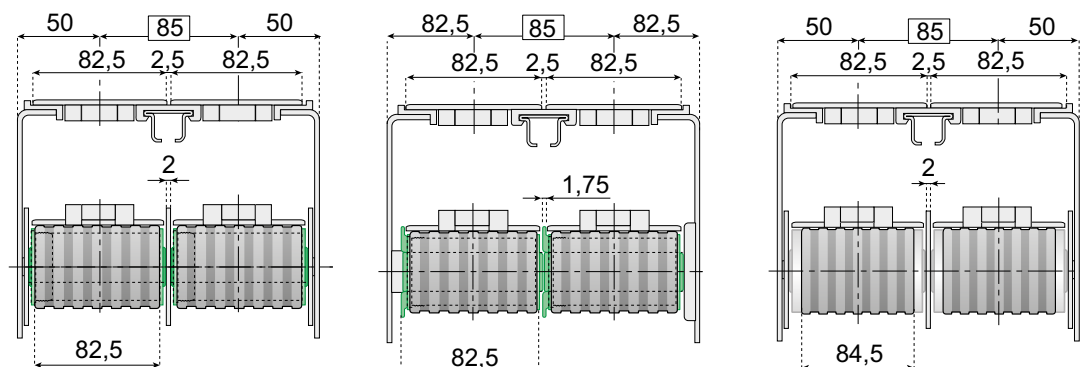
MATERIAL	Ø E	L	FOR ROD				ITEM DESCRIPTION	50
			Ø 15	Ø 16	Ø 18	Ø 20		
PE BLACK	47	82,5	RR-47B15ML83-PEB-S	RR-47B16ML83-PEB-S	RR-47B18ML83-PEB-S	RR-47B20ML83-PEB-S	50	
		84,5	RR-47B15ML85-PEB-S	RR-47B16ML85-PEB-S	RR-47B18ML85-PEB-S	RR-47B20ML85-PEB-S		
	57	82,5	RR-57B15ML83-PEB-S	RR-57B16ML83-PEB-S	RR-57B18ML83-PEB-S	RR-57B20ML83-PEB-S		
		84,5	RR-57B15ML85-PEB-S	RR-57B16ML85-PEB-S	RR-57B18ML85-PEB-S	RR-57B20ML85-PEB-S		
	67	82,5	RR-67B15ML83-PEB-S	RR-67B16ML83-PEB-S	RR-67B18ML83-PEB-S	RR-67B20ML83-PEB-S		
		84,5	RR-67B15ML85-PEB-S	RR-67B16ML85-PEB-S	RR-67B18ML85-PEB-S	RR-67B20ML85-PEB-S		



External diameter

RUBBER MATERIAL: TPR

MOQ Min. order quantity: 100 pcs.



For flanges for return rollers, go to:

5 1 0 9 0 a

Chains & sprockets	Wear strips	Side guide brackets & accessories	Levelers	Engineering manual
Modular belts & sprockets	Chain & belt return systems	Frame & structure supports	Bearing supports	
Curves & tracks	Side guide solutions	Miscellaneous products	Equipment	

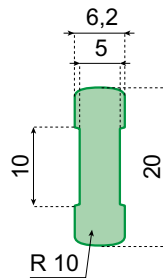
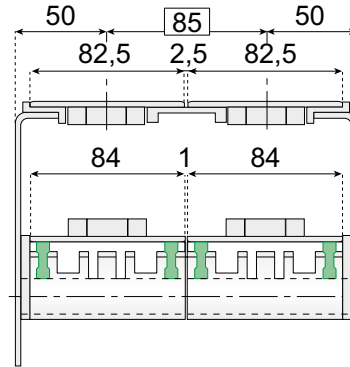
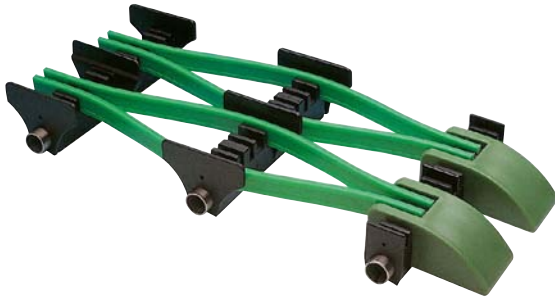
5 1 1 2 0 a

CHAIN RETURN COMPONENTS

www.SystemPlastSmartGuide.com

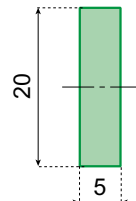
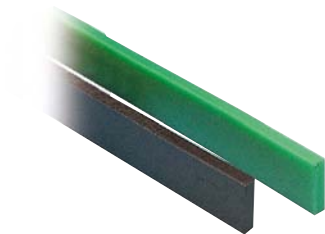


Information about this product is only available on our Smart Guide® website.



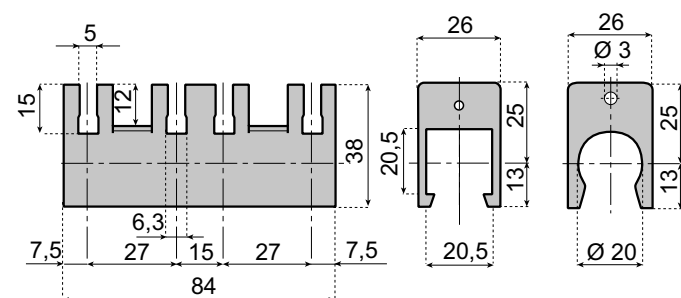
WEAR STRIP

MATERIAL	ITEM DESCRIPTION		
PE GREEN	VG-F206M-G-200	60 m	60 m
PE BLACK	VG-F206M-B-200	60 m	60 m
Nolu®-S	VG-F206M-NS-200	60 m	60 m



WEAR STRIP

MATERIAL	ITEM DESCRIPTION		
PE GREEN	VG-F205M-G-200	60 m	60 m
PE BLACK	VG-F205M-B-200	60 m	60 m



SPACER FOR SERPENTINE

MATERIAL			
	20x20	Ø 20	
ITEM DESCRIPTION			
PA BLACK	SPT-84-S20C	SPT-84-R20C	100

For chains return components, go to:

5 1 1 3 0 a

For solutions for 101.6 (4") and 114.3 (4 1/2") top plates, go to: [5 1 1 6 0 a](#)

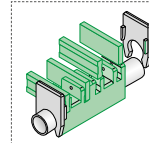
Chains & sprockets	Wear strips	Side guide brackets & accessories	Levelers	Engineering manual
Modular belts & sprockets	Chain & belt return systems	Frame & structure supports	Bearing supports	
Curves & tracks	Side guide solutions	Miscellaneous products	Equipment	



5 1 1 3 0 a

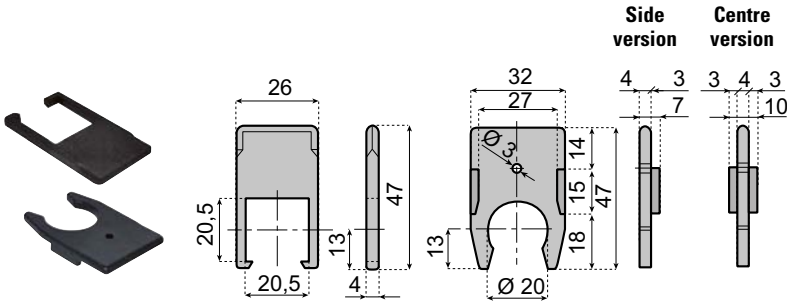
CHAIN RETURN COMPONENTS

www.SystemPlastSmartGuide.com



For chain return components, go to:

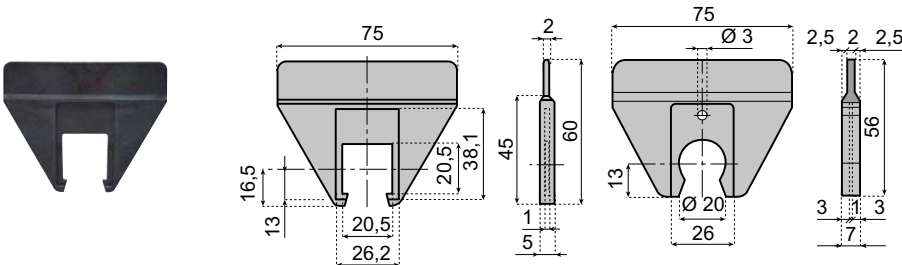
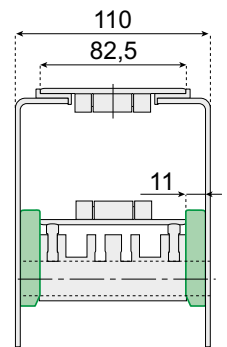
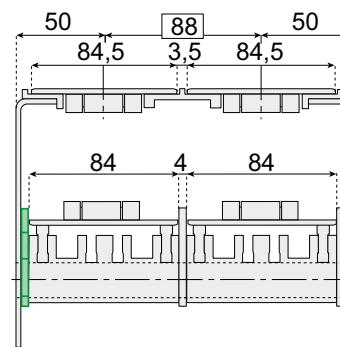
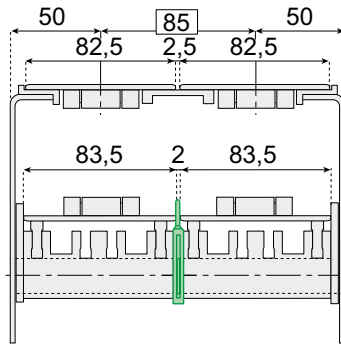
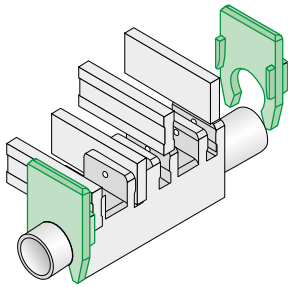
5 1 1 2 0 a



LITTLE WASHER

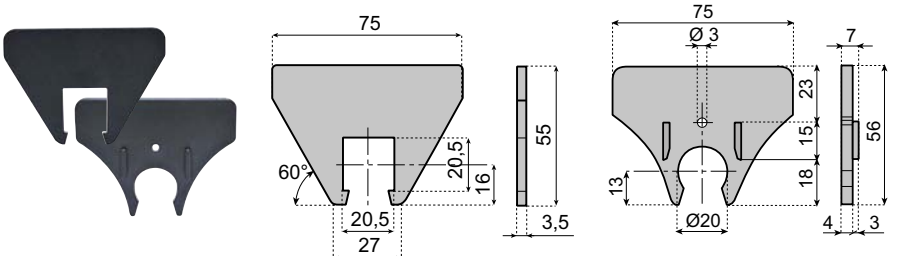
MATERIAL	20x20	Ø 20	Ø 20	
ITEM DESCRIPTION				
PA BLACK	SPT-4L26-S20C	SPT-4L26S-R20C	SPT-4L26C-R20C	100

APPLICATION EXAMPLE



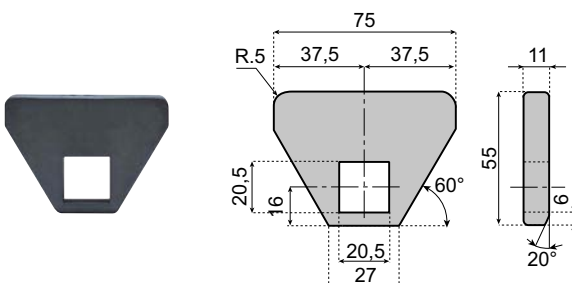
BIG STRIKER

MATERIAL	20x20	Ø 20	
ITEM DESCRIPTION			
PA BLACK	SPT-2L75-S20C	SPT-2L75-R20C	100

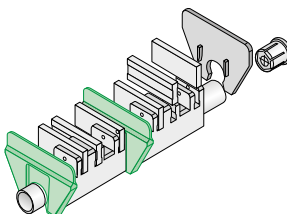


BIG STRIKER

MATERIAL	20x20	Ø 20	
ITEM DESCRIPTION			
PA BLACK	SPT-4L75-S20C	SPT-4L75-R20C	100



APPLICATION EXAMPLE



EXTRA STRIKER

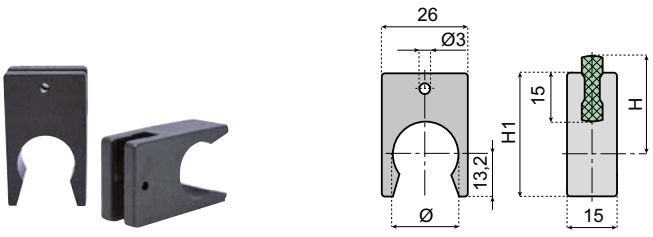
MATERIAL	20x20	
ITEM DESCRIPTION		
PA BLACK	SPT-11L75-S20	100

Chains & sprockets	Wear strips	Side guide brackets & accessories	Levelers	Engineering manual
Modular belts & sprockets	Chain & belt return systems	Frame & structure supports	Bearing supports	
Curves & tracks	Side guide solutions	Miscellaneous products	Equipment	

5 1 1 5 0 a

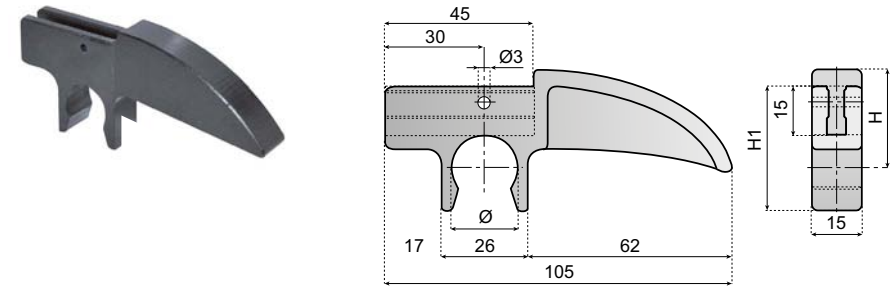
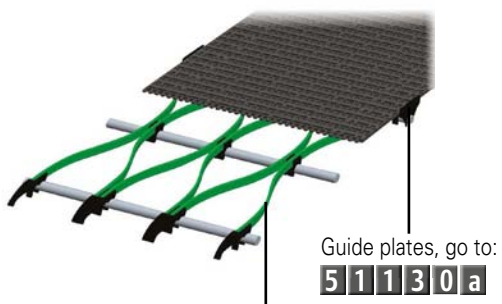
FLEXIBLE WIDTH SERPENTINE SYSTEM

www.SystemPlastSmartGuide.com



SINGLE SPACER SNAP-ON ASSEMBLY

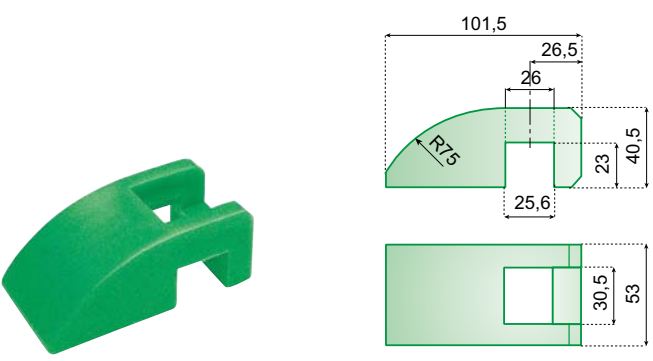
MATERIAL	Ø 18	Ø 20	H	H1	
	ITEM DESCRIPTION				
PA BLACK	SPT-15R18C	-	34	42.5	100
	-	SPT-15R20C	30	38	



Profiles, go to: **5 1 1 2 0 a**

SHOE WEAR STRIP SNAP-ON ASSEMBLY

MATERIAL	Ø 18	Ø 20	H	H1	
	ITEM DESCRIPTION				
PA BLACK	SHOE-15L105-R18C-PAB	-	34	42,5	100
	-	SHOE-15L105-R20C-PAB	30	38	



SLIDING SHOE

MATERIAL	ITEM DESCRIPTION	
PE GREEN	SHOE-53L102-S25C-PEG	100



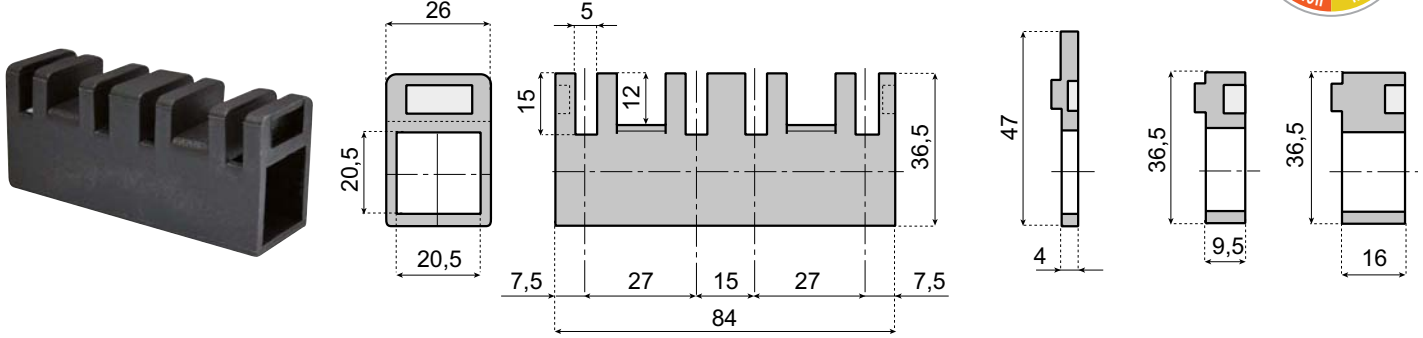
USE: with spacers SPT-84-R20C.

Chains & sprockets	Wear strips	Side guide brackets & accessories	Levelers	Engineering manual
Modular belts & sprockets	Chain & belt return systems	Frame & structure supports	Bearing supports	
Curves & tracks	Side guide solutions	Miscellaneous products	Equipment	

5 1 1 6 0 a

CHAIN RETURN COMPONENTS

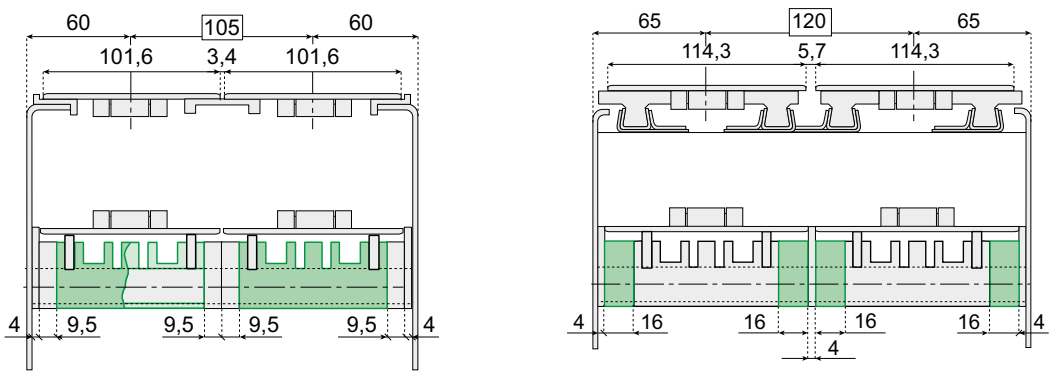
www.SystemPlastSmartGuide.com



WASHER



MATERIAL					
	84	4	9.5	16	
ITEM DESCRIPTION					
PA BLACK	SPT-84-S20	SPT-4L26-S20	SPT-10L26-S20	SPT-16L26-S20	100

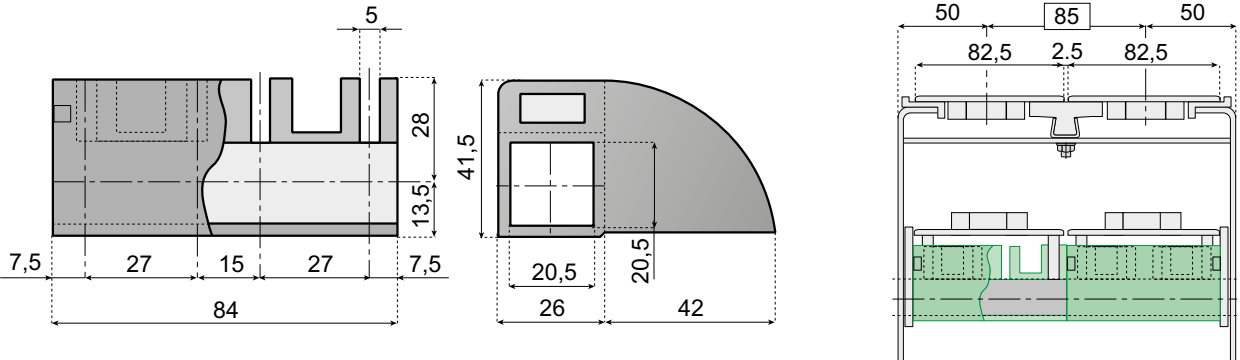


SLIDING SHOE



MATERIAL	FOR SQUARE SHAFT 20X20	
	ITEM DESCRIPTION	
PE BLACK	SHOE-84L68-S20-PEB	100

Information about this product is only available on our Smart Guide® website.



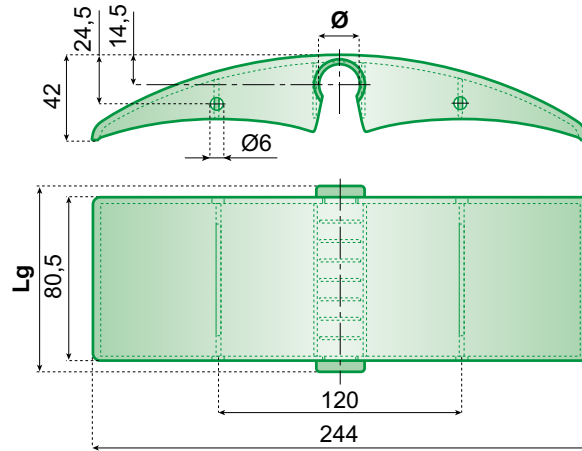
For standard solutions, go to: **5 1 0 6 0 a**

Chains & sprockets	Wear strips	Side guide brackets & accessories	Levelers	Engineering manual
Modular belts & sprockets	Chain & belt return systems	Frame & structure supports	Bearing supports	
Curves & tracks	Side guide solutions	Miscellaneous products	Equipment	

51170a

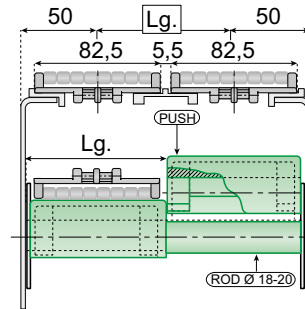
SLIDING SHOE

www.SystemPlastSmartGuide.com



SNAP-ON SELF-ADJUSTING SLIDING SHOE

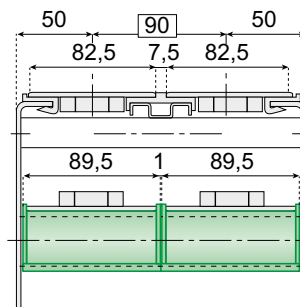
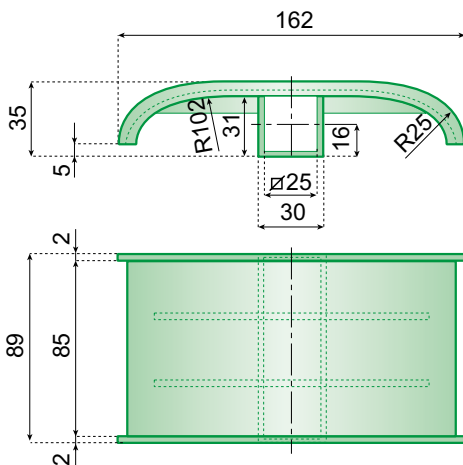
MATERIAL	Ø 18	Ø 20	LG	
	ITEM DESCRIPTION			
PE BLACK	SHOE-84L244-R18C-PEB ^{MOQ}	SHOE-84L244-R20C-PEB	84	50
	-	SHOE-85L244-R20C-PEB ^{MOQ}	85	
	-	SHOE-88L244-R20C-PEB	88	
PE GREEN	SHOE-84L244-R18C-PEG	SHOE-84L244-R20C-PEG	84	
	-	SHOE-85L244-R20C-PEG ^{MOQ}	85	
	-	SHOE-88L244-R20C-PEG	88	



MOQ Min. order quantity: 300 pcs.



MATERIAL	ITEM DESCRIPTION	
PE GREEN	SHOE-89L162-S25C-PEG	100

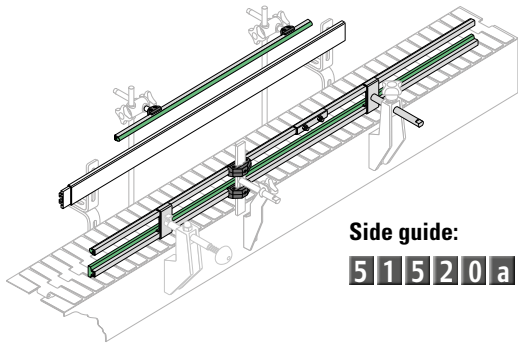


Chains & sprockets	Wear strips	Side guide brackets & accessories	Levelers	Engineering manual
Modular belts & sprockets	Chain & belt return systems	Frame & structure supports	Bearing supports	
Curves & tracks	Side guide solutions	Miscellaneous products	Equipment	

5 1 5 1 0 a

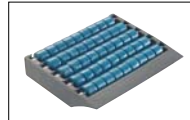
INDEX SIDE GUIDES & CLAMPS

www.SystemPlastSmartGuide.com



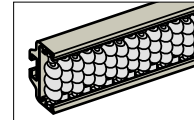
Side guide:
5 1 5 2 0 a

ROLLER TRANSFER PLATES



Go to:
5 2 6 7 0 a

FOR INDEX SIDE GUIDES WITH ROLLERS.



Go to:
5 2 5 1 0 a



Information about this product is only available on our Smart Guide® website.

SHAPE SIDE GUIDE	TYPE OF CLAMPS		GUIDE FOR PET BOTTLES
<p>5 1 5 2 0 a</p>		<p>Single clamps 5 1 6 0 0 a</p>	<p>5 1 7 2 0 a 5 1 7 3 0 a</p>
		<p>Double clamps 5 1 6 1 0 a</p>	
		<p>Stainless steel clamps 5 1 6 2 0 a</p>	<p>5 1 7 3 0 a</p>
		<p>Other clamps 5 1 6 3 0 a</p>	
		<p>Single clamps 5 1 6 4 0 a</p>	
<p>ACCESSORIES</p> <p>ROLLER GUIDES 5 2 5 7 2 a</p>		<p>Double clamps 5 1 6 5 0 a</p>	<p>PRODUCT GUIDES</p> <p>5 1 7 1 0 a</p>

D-SHAPE	HOLLOW EXTRUDED PROFILES			
<p>5 1 6 6 0 a</p>	<p>80 5 1 6 8 0 a</p>	<p>78 5 1 6 9 0 a</p>	<p>87 5 1 7 0 0 a</p>	<p>140 5 1 7 0 3 a</p> <p>New</p>

Accessories for guide adjustment in curves:

ADJUSTING RODS	ADJUSTING IN CURVES	THERMOPLASTIC ADJUSTING	ALUMINIUM GUIDE RAIL
<p>5 1 8 3 0 a</p>	<p>5 1 8 1 0 a</p>	<p>5 1 8 2 0 a</p>	<p>5 1 7 4 0 a</p>

Chains & sprockets	Wear strips	Side guide brackets & accessories	Levelers	Engineering manual
Modular belts & sprockets	Chain & belt return systems	Frame & structure supports	Bearing supports	
Curves & tracks	Side guide solutions	Miscellaneous products	Equipment	

51520a

VALU GUIDE® RAIL

www.SystemPlastSmartGuide.com



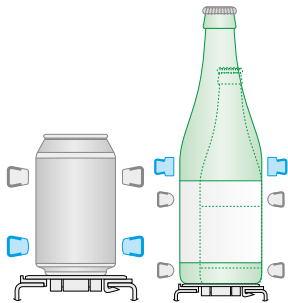
VALU GUIDE®



For clamps, go to:

51510a

continue ▶



METAL PROFILE MATERIAL	UHMWPE WHITE	UHMWPE BLACK	NOLU-S™	UHMWPE ANTISTATIC BLACK	HIGH TEMPERATURE RESISTANT	30 m	3 m	
	ITEM DESCRIPTION							
	SS 304	VG-LSSR-10	VG-LSSR-B-10	VG-LSSR-NS-10	VG-LSSR-SD-10	-	30 m	3 m
		VG-LSSR-20	VG-LSSR-B-20	VG-LSSR-NS-20	VG-LSSR-SD-20		30 m	6 m
	Zn	VG-LGSR-10	VG-LGSR-B-10 <small>MOQ</small>	-	-	-	30 m	3 m
		VG-LGSR-20	VG-LGSR-B-20 <small>MOQ</small>				30 m	6 m
	SS 304	VG-LSSRS-10 <small>MOQ</small>	-	-	-	30 m	3 m	
		VG-LSSRS-20 <small>MOQ</small>				30 m	6 m	
	SS 304	VG-LSSM-10	VG-LSSM-B-10 <small>MOQ</small>	VG-LSSM-NS-10	VG-LSSM-SD-10 <small>MOQ</small>	-	30 m	3 m
		VG-LSSM-20	VG-LSSM-B-20 <small>MOQ</small>	VG-LSSM-NS-20	VG-LSSM-SD-20 <small>MOQ</small>		30 m	6 m
	SS 304	VG-LSSMS-10	-	-	-	-	30 m	3 m
		VG-LSSMS-20	-	-	-		30 m	6 m
	SS 304	VG-LSSF-10	-	-	-	VG-SSF-HT-10	30 m	3 m
		VG-LSSF-20					30 m	6 m
	Zn	VG-LGSF-10 <small>MOQ</small>	VG-LGSF-B-10	-	-	-	30 m	3 m
		VG-LGSF-20 <small>MOQ</small>	VG-LGSF-B-20				30 m	6 m
	SS 304	VG-LSST-75-10	-	-	-	-	30 m	3 m
		VG-LSST-75-20	-	-	-		30 m	6 m
	SS 304	VG-LSSWF-10	-	-	-	-	30 m	3 m
		VG-LSSWF-20	-	-	-		30 m	6 m

MOQ Min. order quantity: 180 m

continue ▶

Chains & sprockets	Wear strips	Side guide brackets & accessories	Levelers	Engineering manual
Modular belts & sprockets	Chain & belt return systems	Frame & structure supports	Bearing supports	
Curves & tracks	Side guide solutions	Miscellaneous products	Equipment	

5 1 5 2 0 b

VALU GUIDE® RAIL

www.SystemPlastSmartGuide.com



For clamps, go to:

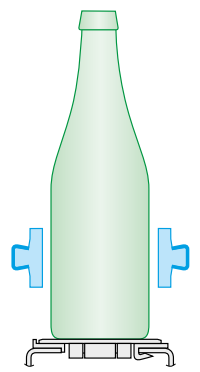
5 1 5 1 0 a

MOQ Min. order quantity: 180 m
*60m



◀ back continue ▶

METAL PROFILE MATERIAL	UHMWPE WHITE	NOLU-S™	UHMWPE ANTISTATIC BLACK		
	ITEM DESCRIPTION				
	SS 304 VG-LSST-1.00-10	-	-	30 m	3 m
	VG-LSST-1.00-20	-	-	30 m	6 m
	SS 304 VG-LSSWF-1.25-10	-	-	30 m	3 m
	VG-LSSWF-1.25-20	-	-	30 m	6 m
	SS 304 VG-LSST-1.25-10	VG-LSST-1.25-NS-10 ^{MOQ} *	VG-LSST-1.25-SD-10 ^{MOQ} *	30 m	3 m
	VG-LSST-1.25-20	VG-LSST-1.25-NS-20	VG-LSST-1.25-SD-20	30 m	6 m
	Zn VG-LGST-1.25-10 ^{MOQ}	-	-	30 m	3 m
	VG-LGST-1.25-20 ^{MOQ}	-	-	30 m	6 m
New 	SS 304 VG-LSSMT1.00-10	-	-	30 m	3 m
	SS 304 VG-SSTS-1.25-10	-	-	30 m	3 m
	VG-SSTS-1.25-20	-	-	30 m	6 m
	SS 304 VG-LSST-1.60-10	VG-LSST-1.60-NS-10	VG-LSST-1.60-SD-10	30 m	3 m
	VG-LSST-1.60-20	VG-LSST-1.60-NS-20	VG-LSST-1.60-SD-20	30 m	6 m



◀ back continue ▶

Chains & sprockets	Wear strips	Side guide brackets & accessories	Levelers	Engineering manual
Modular belts & sprockets	Chain & belt return systems	Frame & structure supports	Bearing supports	
Curves & tracks	Side guide solutions	Miscellaneous products	Equipment	

51520c

VALU GUIDE® RAIL

www.SystemPlastSmartGuide.com

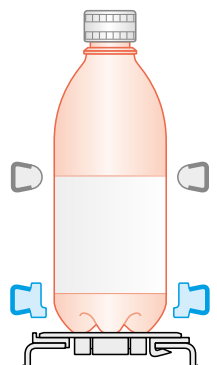
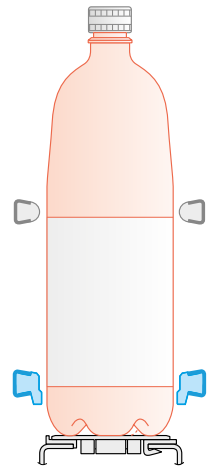


◀ back

For clamps, go to:

51510a

	METAL PROFILE MATERIAL	UHMWPE WHITE	UHMWPE BLACK		
		ITEM DESCRIPTION			
	SS 304	VG-LSST-1.70-10 <small>MOQ</small>	-	30 m	3 m
		VG-LSST-1.70-20 <small>MOQ</small>	-	30 m	6 m
	SS 304	VG-LSST-2.25-10	VG-LSST-2.25-B-10 <small>MOQ</small>	30 m	3 m
		VG-LSST-2.25-20	VG-LSST-2.25-B-20 <small>MOQ</small>	30 m	6 m
	SS 304	VG-LSST200R-10	-	30 m	3 m
	SS 304	VG-LSSMT008-10 <small>MOQ</small>	-	30 m	3 m
		VG-LSSMT008-20 <small>MOQ</small>	-	30 m	6 m
	SS 304	VG-LSSMT024-10 <small>MOQ</small>	VG-LSSMT024-B-10	30 m	3 m
	SS 304	VG-SSMT-10 <small>MOQ</small>	-	30 m	3 m
		VG-SSMT-20 <small>MOQ</small>	-	30 m	6 m
	SS 304	VG-SSNG-10 <small>MOQ</small>	-	30 m	3 m



MOQ Min. order quantity: 180 m

◀ back

Chains & sprockets	Wear strips	Side guide brackets & accessories	Levelers	Engineering manual
Modular belts & sprockets	Chain & belt return systems	Frame & structure supports	Bearing supports	
Curves & tracks	Side guide solutions	Miscellaneous products	Equipment	

51600a

CLAMPS FOR CONICAL SIDE GUIDES

www.SystemPlastSmartGuide.com

SINGLE CLAMP WITH PIN



For profiles, go to:

51520a



For brackets, go to:

53510a



WITHOUT ROD

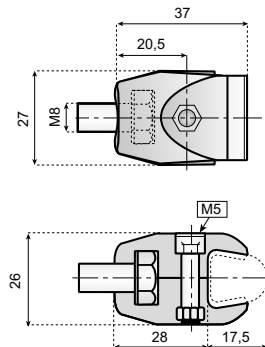
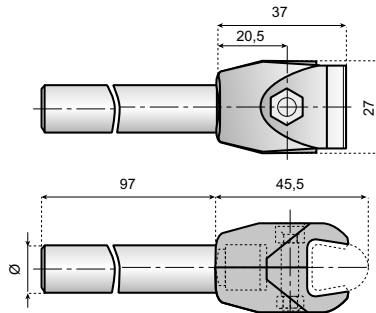
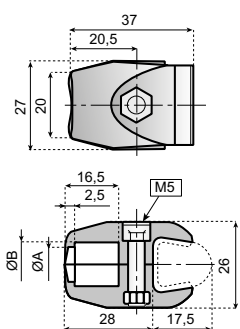


WITH ROD



WITH SCREW

continue ▶



MOQ

Min. order quantity: 300 pcs.

Ø A	Ø B	CLAMP TYPE	WITHOUT ROD	Ø 12	Ø 14	Ø 16	50
			ITEM DESCRIPTION				
10	12	1	CL-CON-P12M	CL-CON-P12100M	-	-	50
12	13,5	2	CL-CON-P14M	-	CL-CON-P14100M	CL-CON-P16100M	

WITH SCREW	ITEM DESCRIPTION	50
CL-CON-P-M8		50

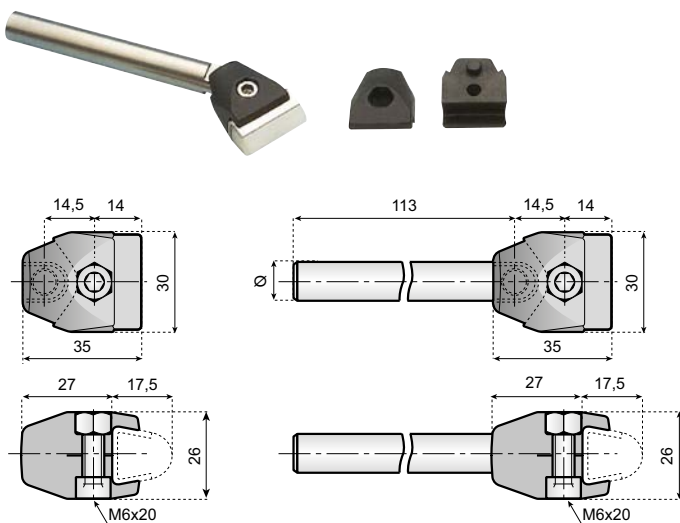
Material: clamp in reinforced polyamide (PA-FG Black), bolt in stainless steel, nut in nickel plated brass.
Supply: assembled.

MATERIAL: clamp in reinforced polyamide (PA-FG Black), bolts in stainless steel, nut in nickel plated brass.
SUPPLY: assembled.

CLAMPS FOR CONICAL SIDE GUIDES

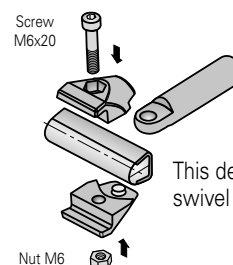
SINGLE CLAMP WITH SWIVEL PIN

Material: clamp in reinforced polyamide (PA-FG Black).
 Nut, screws, washer and rod in stainless steel.
Supply: assembled.

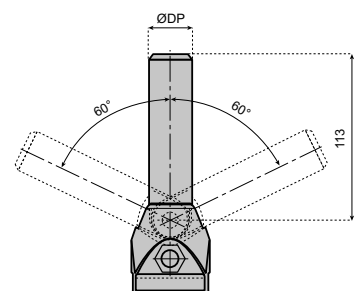


WITHOUT ROD	Ø 12	50
CL-CON-PS	CL-CON-PS12100M	50

APPLICATION EXAMPLE



This design allows a max. swivel angle of 120°



For profiles, go to:

51520a



For brackets, go to:

53510a

continue ▶

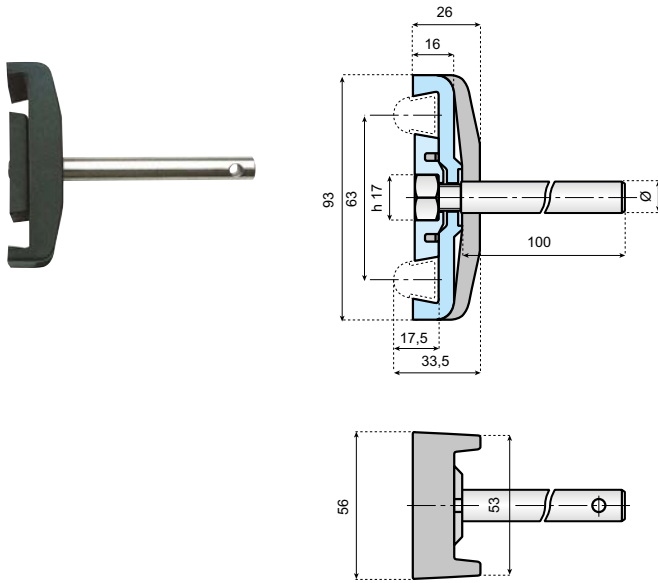
Chains & sprockets	Wear strips	Side guide brackets & accessories	Levelers	Engineering manual
Modular belts & sprockets	Chain & belt return systems	Frame & structure supports	Bearing supports	
Curves & tracks	Side guide solutions	Miscellaneous products	Equipment	



5 1 6 1 0 a

CLAMPS FOR CONICAL SIDE GUIDES

DOUBLE PLASTIC CLAMPS WITH ROD STANDARD



◀ back continue ▶

Material: reinforced polyamide, (PA-FG Black) nut, washer rod in stainless steel.
Supply: assembled.



For profiles, go to:

5 1 5 2 0 a

WITHOUT ROD	Ø 12	Ø 14	Ø 16	
ITEM DESCRIPTION				
CL-CON-PD	CL-CON-PD12100M	CL-CON-PD14100M	CL-CON-PD16100M	50

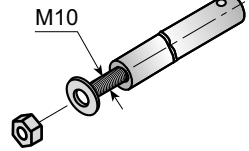
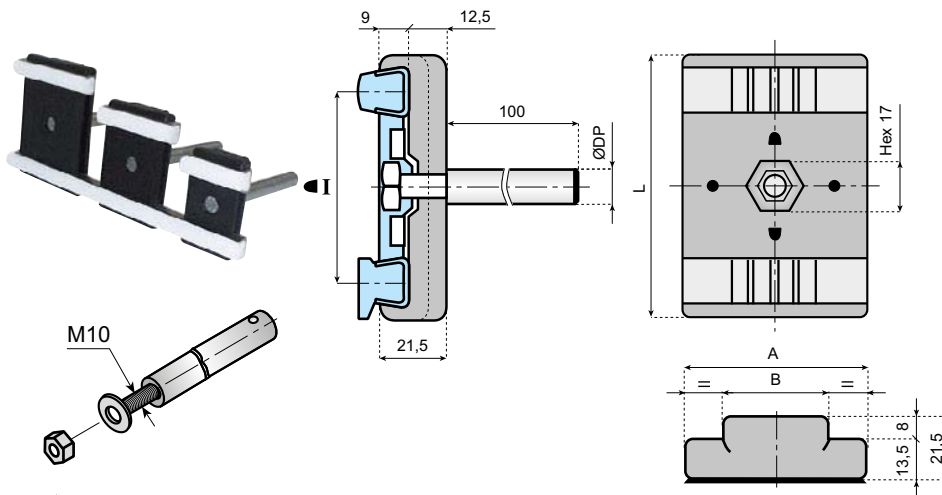


For brackets, go to:

5 3 5 1 0 a

CLAMPS FOR CONICAL SIDE GUIDES

DOUBLE PLASTIC CLAMPS WITH ROD OTHER CENTER DISTANCES

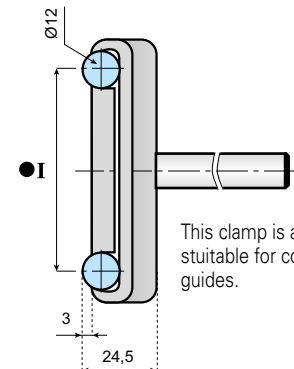


MOQ Min. order quantity: 300 pcs.

Material: reinforced polyamide (PA-FG Black), screw, washer and rod in stainless steel.
Application: the clamp is designed to be used with either the conical or Ø 12 mm round guide rails, simply by turning the internal flange plate.

Use: to support rods or conical guide rails with increased centers.

Supply: assembled.



This clamp is also suitable for conical guides.



For profiles, go to:

5 1 5 2 0 a

▶	●	L	A	B	WITHOUT ROD	Ø 12	Ø 14	Ø 16	
					ITEM DESCRIPTION				
47	51	70	43	30	CL-CON-PD47	CL-CON-PD47-12100M	CL-CON-PD47-14100M	CL-CON-PD47-16100M	50
65	69	90	61	35	CL-CON-PD65	CL-CON-PD65-12100M	CL-CON-PD65-14100M	CL-CON-PD65-16100M	
85	89	110	80	40	CL-CON-PD85	CL-CON-PD85-12100M	CL-CON-PD85-14100M	CL-CON-PD85-16100M	



For brackets, go to:

5 3 5 1 0 a

◀ back continue ▶

Chains & sprockets	Wear strips	Side guide brackets & accessories	Levelers	Engineering manual
Modular belts & sprockets	Chain & belt return systems	Frame & structure supports	Bearing supports	
Curves & tracks	Side guide solutions	Miscellaneous products	Equipment	

5 1 6 2 0 a

CLAMPS FOR CONICAL SIDE GUIDES

www.SystemPlastSmartGuide.com

Use: to support conical guide.

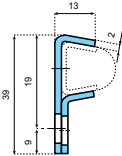
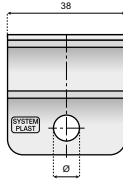
Note: Tightening bolt not included.

Material: Stainless Steel (AISI 304)

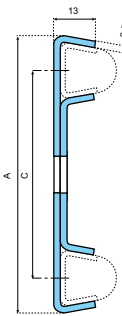
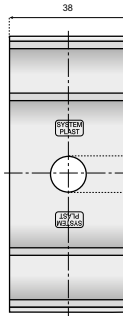
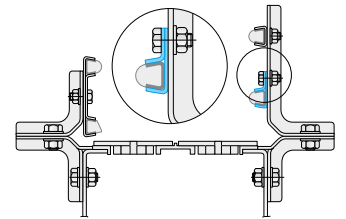


For profiles, go to:
5 1 5 2 0 a

◀ back continue ▶

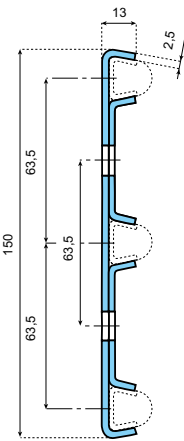
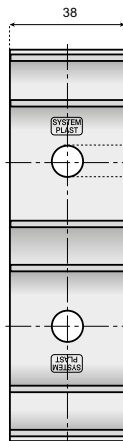
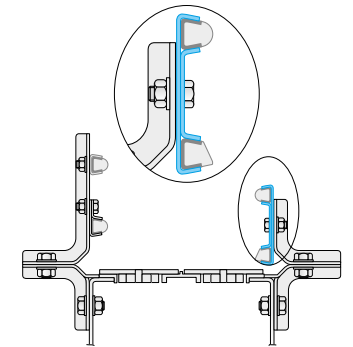


Ø	WITHOUT ROD	
	ITEM DESCRIPTION	
9	VG-012-01	50



Note: used with tall containers or when large and small containers run on the same production line. Tightening bolt not included.

C mm	A mm	WITHOUT ROD	
		ITEM DESCRIPTION	
63,5	86	VG-011-01	50
84	106,5	VG-011-04	
95,2	117,7	VG-011-03	

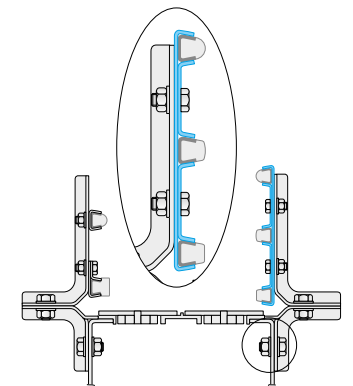


WITHOUT ROD		
ITEM DESCRIPTION		
VG-011-02		50

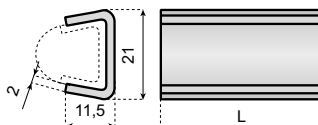
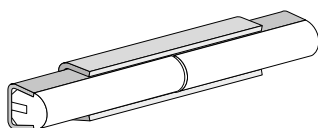


For brackets, go to:

5 3 5 1 0 a



RAIL CONNECTOR



CONNECTING ELEMENT

Use: to connect two guide rails.

The part can be tapped on with a hammer.

Material: Stainless Steel (AISI 304).

L mm	D THREADED SIZE = M8	
	ITEM DESCRIPTION	
38	VG-013-015	50
50	VG-013-01	



For brackets, go to:

5 3 5 1 0 a



For profiles, go to:

5 1 5 2 0 a

◀ back continue ▶

Chains & sprockets	Wear strips	Side guide brackets & accessories	Levelers	Engineering manual
Modular belts & sprockets	Chain & belt return systems	Frame & structure supports	Bearing supports	
Curves & tracks	Side guide solutions	Miscellaneous products	Equipment	



5 1 6 3 0 a

CLAMPS FOR CONICAL SIDE GUIDES

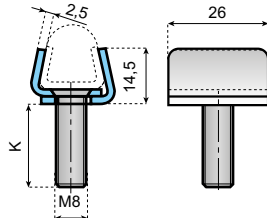
www.SystemPlastSmartGuide.com

HEAVY DUTY CLAMP

Use: two piece compression style for easy assembly and adjustment. Nut and washer not included.

Note: max recommended tightening torque 2.0 Kgm.

Material: Stainless Steel (AISI 304)



K mm	ITEM DESCRIPTION	
15,2	VG-018M-01	100
20	VG-018M-02	
25,5	VG-018M-03	
30	VG-018M-04	

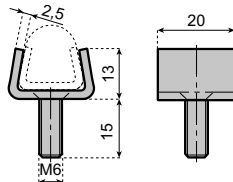
◀ back

SINGLE CLAMP - STAINLESS STEEL

Use: easy assembly of guide profiles.

Note: max recommended tightening torque 1.8 Kgm.

Material: Stainless Steel (AISI 304).



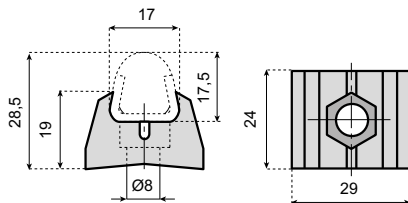
ITEM DESCRIPTION	
VG-009M-01	100

SINGLE CLAMP - THERMOPLASTIC

Use: it connects guide rail to bracket or rod using a standard M8 cap screw.

Supply: unassembled.

Material: clamp in reinforced polyamide (PA-FG Black)



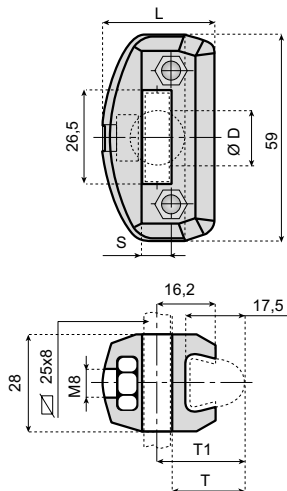
WITHOUT ROD	
ITEM DESCRIPTION	
VG-016-02	50

SINGLE CLAMP FOR FLAT BAR

Material: clamp in reinforced polyamide (PA-FG Black), bolts in stainless steel, nuts in nickel plated brass.

Supply: assembled.

Use: mount on Ø 12 diameter rod or 25x6 - 25x8, 25x10 flat bar.



FLAT BAR	ROUND BAR Ø D	L	S	T	T1	ITEM DESCRIPTION	
25x6	Ø 12	34	6,5	22,5	25,5	VG-022-01	50
25x8	-	33	9	21,5	25,5	CL-CON-P258M	
	-	40	9	28	32	CL-CON-P258WM	
25x10	-	34	10,5	21,5	26,5	CL-CON-P2510M	

For profiles, go to: **5 1 5 2 0 a**

For profiles, go to: **5 1 7 3 0 a**

For profiles, go to: **5 2 5 7 2 a**

For brackets, go to: **5 3 5 1 0 a**

◀ back

Chains & sprockets	Wear strips	Side guide brackets & accessories	Levelers	Engineering manual
Modular belts & sprockets	Chain & belt return systems	Frame & structure supports	Bearing supports	
Curves & tracks	Side guide solutions	Miscellaneous products	Equipment	

5 1 6 3 0 z

APPLICATION EXAMPLES

www.SystemPlastSmartGuide.com



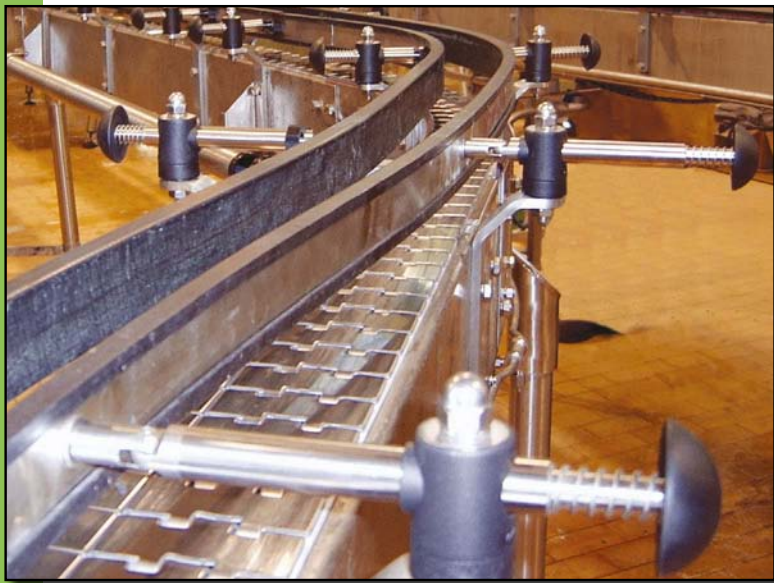
SYSTEMS FOR SHRINK WRAPPED PRODUCTS.

LBP chains, go to:

1 1 0 1 2 a

Roller side guides, go to:

5 2 5 1 0 a



SPEEDSET™ SIDE GUIDE ADJUSTMENT SYSTEM.

For details, go to:

5 3 5 9 5 a



ACCUMULATION SYSTEM FOR SHRINK WRAPPED PRODUCTS.

LBP chains, go to:

1 1 0 1 2 a

Roller side guides, go to:

5 2 5 1 0 a

Chains & sprockets	Wear strips	Side guide brackets & accessories	Levelers	Engineering manual
Modular belts & sprockets	Chain & belt return systems	Frame & structure supports	Bearing supports	
Curves & tracks	Side guide solutions	Miscellaneous products	Equipment	

5 1 6 4 0 a

CLAMPS FOR ROUND SIDE GUIDES

www.SystemPlastSmartGuide.com



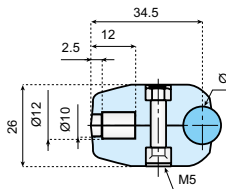
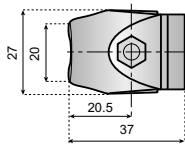
For brackets, go to:

5 3 5 1 0 a

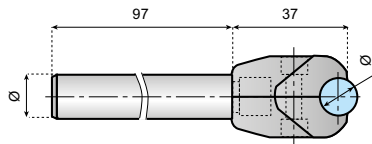
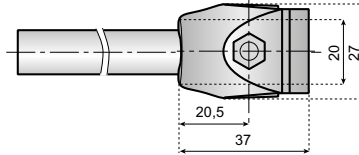
continue ▶



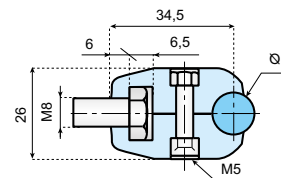
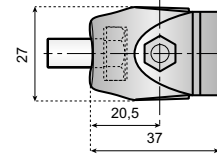
WITHOUT ROD



WITH ROD



WITH M8 SCREWS



Material: clamp in reinforced polyamide, bolt in stainless steel, nut in nickel plated brass, rod in stainless steel AISI 303.

Supply: assembled.

Material: clamp in reinforced polyamide, bolt in stainless steel, nut in nickel plated brass.

Supply: assembled.

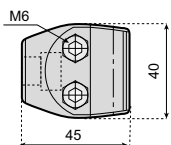
FOR GUIDE Ø	WITHOUT ROD	Ø 12	Ø 14	Ø 16	
	ITEM DESCRIPTION				
8	CL-RD8-P	CL-RD8-P12100M	CL-RD8-P14100M	CL-RD8-P16100M	50
10	CL-RD10-P	CL-RD10-P12100M	CL-RD10-P14100M	CL-RD10-P16100M	
12	CL-RD12-P	CL-RD12-P12100M	CL-RD12-P14100M	CL-RD12-P16100M	
14	CL-RD14-P	CL-RD14-P12100M	CL-RD14-P14100M	CL-RD14-P16100M	

FOR GUIDE Ø	WITH M8 SCREWS	
	ITEM DESCRIPTION	
8	CL-RD8-P-M8	50
10	CL-RD10-P-M8	
12	CL-RD12-P-M8	
14	CL-RD14-P-M8	

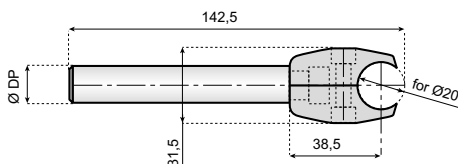
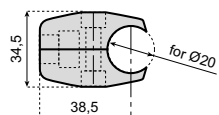
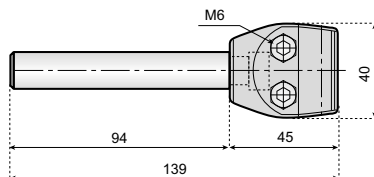
MOQ Min. order quantity: 300 pcs.



WITHOUT ROD



WITH ROD



50

Material: clamp in reinforced polyamide, bolts, nuts and rod in stainless steel.

Supply: assembled.

WITHOUT ROD	Ø 12	Ø 14	Ø 16
ITEM DESCRIPTION			
CL-RD20-P	CL-RD20-P12100M	CL-RD20-P14100M	CL-RD20-P16100M

MOQ Min. order quantity: 300 pcs.

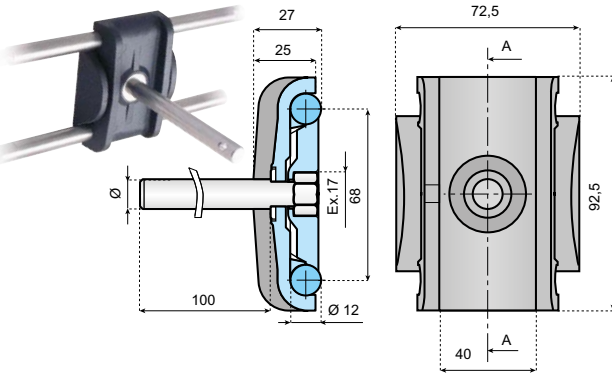
continue ▶

Chains & sprockets	Wear strips	Side guide brackets & accessories	Levelers	Engineering manual
Modular belts & sprockets	Chain & belt return systems	Frame & structure supports	Bearing supports	
Curves & tracks	Side guide solutions	Miscellaneous products	Equipment	

5 1 6 5 0 a

CLAMPS FOR ROUND SIDE GUIDES

DOUBLE PLASTIC CLAMPS WITH ROD STANDARD



For brackets, go to:

5 3 5 1 0 a

Material: clamp in reinforced polyamide, nut and rod in stainless steel.

Supply: assembled.



◀ back

WITHOUT ROD	Ø 12	Ø 14	Ø 16	
ITEM DESCRIPTION				50
CL-RD12-PD	CL-RD12-PD12100M	CL-RD12-PD14100M	CL-RD12-PD16100M	

CLAMPS FOR ROUND SIDE GUIDES

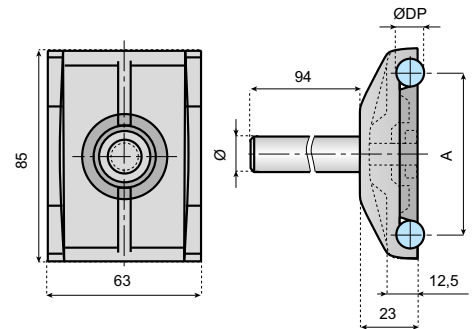
DOUBLE PLASTIC CLAMPS WITH ROD OTHER CENTER DISTANCE



Ø 8-10 mm; Ø 10-12 mm

Material: clamp in reinforced polyamide bolt, nut and rod in stainless steel AISI 304.

Use: round profile guides (8-10 and 10-12 mm) can be used simply turning the flange position.

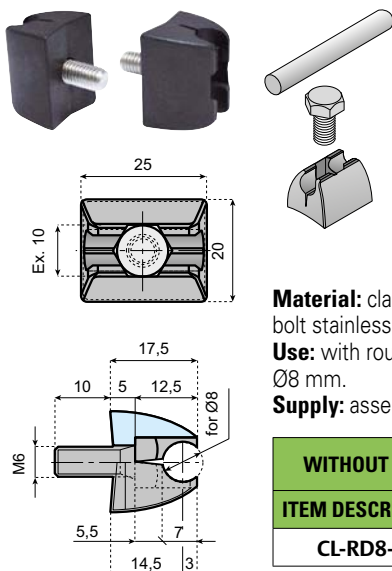


TYPE	DP	A	WITHOUT ROD	Ø 12	Ø 14	Ø 16	
ITEM DESCRIPTION							50
A	8	68	CL-RD8-PD	CL-RD8-PD12100M	CL-RD8-PD14100M	CL-RD8-PD16100M	
B	10	66	CL-RD10-PD	CL-RD10-PD12100M	CL-RD10-PD14100M	CL-RD10-PD16100M	

APPLICATION EXAMPLE

TYPE A		TYPE B	
Flange position for assembling guides with diam. d = 8 mm.	Flange position for assembling guides with diam. d = 10 mm.	Flange position for assembling guides with diam. d = 10 mm.	Flange position for assembling guides with diam. d = 12 mm.

PLASTIC SINGLE CLAMPS FOR FLAT BAR

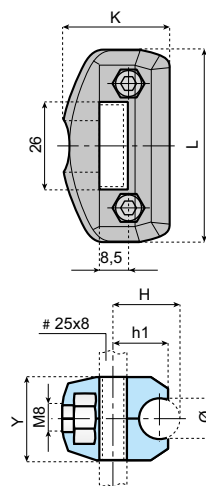


Material: clamp in polyamide, bolt stainless steel.

Use: with round profile guide Ø8 mm.

Supply: assembled.

WITHOUT ROD	
ITEM DESCRIPTION	50
CL-RD8-PF	



For brackets, go to:

5 3 5 1 0 a

Material: clamp in reinforced polyamide, bolt in stainless steel, nut in nickel plated brass.

Supply: assembled.

FOR GUIDE Ø	L	K	Y	H	H1	WITHOUT ROD	
ITEM DESCRIPTION							50
8	58	33	21	18	16	CL-RD8-P258M	
10	58	33	21	18,5	16	CL-RD10-P258M	
12	59	34.5	24	21	19	CL-RD12-P258M	
14	58	34	25	22	17.5	CL-RD14-P258M	

◀ back

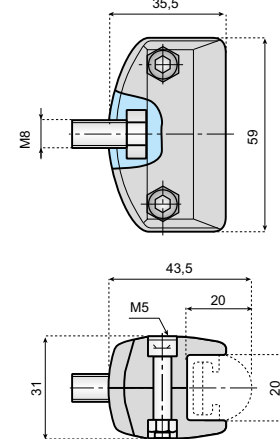
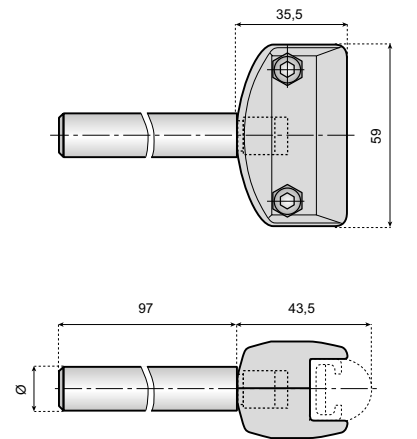
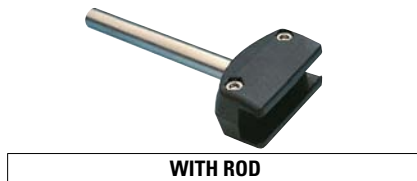
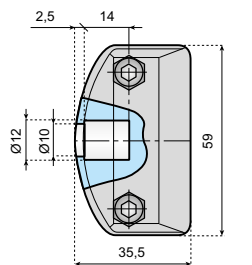
Chains & sprockets	Wear strips	Side guide brackets & accessories	Levelers	Engineering manual
Modular belts & sprockets	Chain & belt return systems	Frame & structure supports	Bearing supports	
Curves & tracks	Side guide solutions	Miscellaneous products	Equipment	

5 1 6 6 0 a

CLAMPS FOR D-SHAPE SIDE GUIDES

www.SystemPlastSmartGuide.com

METAL PROFILE MATERIAL	UHMWPE GREEN	UHMWPE BLACK	L	
	Item description			
		VG-SD-G-10 VG-SD-G-20	VG-SD-B-10 VG-SD-B-20	3m 6m
		VG-GD-G-10 VG-GD-G-20	VG-GD-B-10 VG-GD-B-20	3m 6m



For loose profiles, go to: **51660b**

For brackets, go to: **53510a**



Information about this product is only available on our Smart Guide® website.

Material: clamp in reinforced polyamide, bolt in stainless steel, nut in nickel plated brass, rod in stainless steel AISI 303.

Supply: unassembled.

Material: clamp in reinforced polyamide, bolt in stainless steel, nut in nickel plated brass.

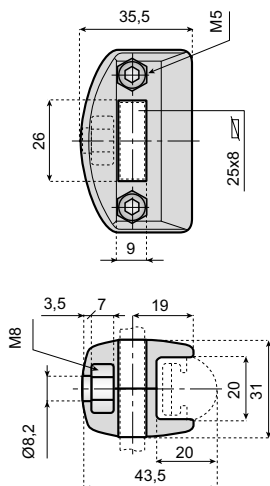
Supply: unassembled.

WITHOUT ROD	Ø 12	Ø 14	Ø 16	
ITEM DESCRIPTION				
CL-D-P12M	CL-D-P12100M	CL-D-P14100M	CL-D-P16100M	100

WITH SCREW	
ITEM DESCRIPTION	
CL-D-P-M8	100

MOQ Min. order quantity: 300 pcs.

SINGLE PLASTIC CLAMP FOR FLAT BAR

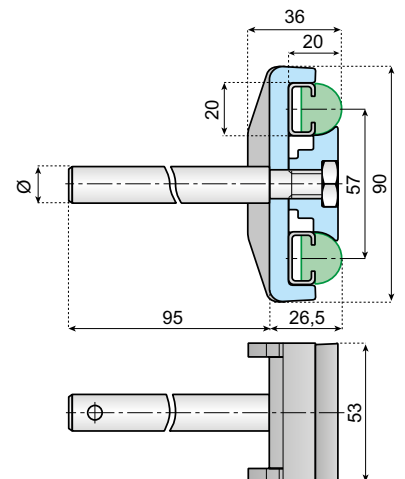


Material: clamp in reinforced polyamide, bolt in stainless steel, nut in nickel plated brass.

Supply: assembled.

WITHOUT ROD	
ITEM DESCRIPTION	
CL-D-P258M	100

DOUBLE PLASTIC CLAMP WITH ROD



Material: clamp in reinforced polyamide, nut and rod in stainless steel.

Supply: unassembled.

WITHOUT ROD	Ø 12	Ø 14	
ITEM DESCRIPTION			
CL-D-PD	CL-D-PD12100M	CL-D-PD14100M	100

Chains & sprockets	Wear strips	Side guide brackets & accessories	Levelers	Engineering manual
Modular belts & sprockets	Chain & belt return systems	Frame & structure supports	Bearing supports	
Curves & tracks	Side guide solutions	Miscellaneous products	Equipment	

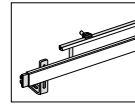
5 1 6 6 0 b

D-SHAPE PRODUCT GUIDES

www.SystemPlastSmartGuide.com

For index side guides, go to:

5 1 5 1 0 a



MOQ Min. order quantity: 180 m

	STAINLESS STEEL	ZINC PLATED STEEL	
	ITEM DESCRIPTION		L ↔
	VG-S1020M-10	VG-G1020M-10	3m
	VG-S1020M-20	VG-G1020M-20	6m
	UHMWPE GREEN	UHMWPE BLACK	NOLU-S™
	ITEM DESCRIPTION		
	VG-PD-G-10	VG-PD-B-10	VG-PD-NS-10 <small>MOQ</small>
	VG-PD-G-20	VG-PD-B-20	-



For clamps for D-shape side guides, go to:

5 1 6 6 0 a

Chains & sprockets	Wear strips	Side guide brackets & accessories	Levelers	Engineering manual
Modular belts & sprockets	Chain & belt return systems	Frame & structure supports	Bearing supports	
Curves & tracks	Side guide solutions	Miscellaneous products	Equipment	

5 1 6 8 0 a

PRODUCT GUIDES AND CLAMPS FOR FLAT SIDE GUIDES

www.SystemPlastSmartGuide.com

GUIDE RAILS (FLAT TYPE)

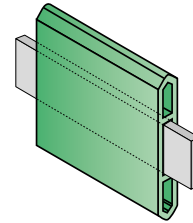
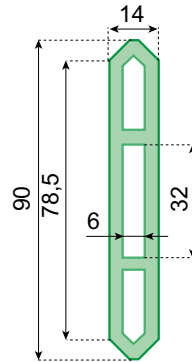
Material: Polyethylene PE 500 (green).

Characteristics:

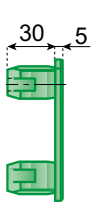
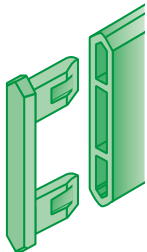
- Profile can be bent or calendered by means of usual systems.
- Coefficient of linear expansion: 2.5×10^{-4} .
- Temperature range for continuous use in air: $-35^{\circ}\text{C} / +70^{\circ}\text{C}$.
- Min. bending radius: 200 mm.

Notes: when sealing the ends, a 2 mm space must be left between the silicone and the end of the bar to compensate for linear contraction of the guide rail at low temperatures.

Characteristics: To use this guide, a 30x5 mm steelbar should be inserted.

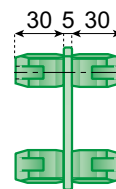


ITEM DESCRIPTION		
MATERIAL: PE-500 GREEN		
VG-H9014M-G-10	30 m	3 m
VG-H9014M-G-20		6 m



END-PLUG

ITEM DESCRIPTION	
MATERIAL: PA GREEN	
PEN-H9014M-G	10



CONNECTING PLUG

ITEM DESCRIPTION	
MATERIAL: PA GREEN	
PCO-H9014M-G	10



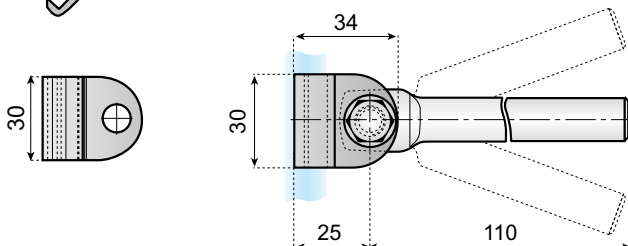
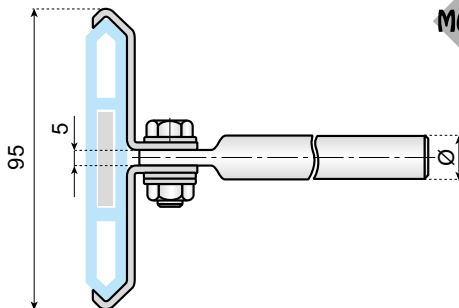
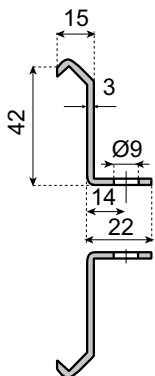
CLAMP WITH SWIVEL ROD

Surface: tumbling finish.

Supply: unassembled.

Material: Stainless Steel (AISI 304)

WITHOUT ROD	Ø 12	Ø 14	
ITEM DESCRIPTION			
CL-H9014M-S	CL-H9014M-S12100M	CL-H9014M-S14100M	50



MOQ Min. order quantity: 300 pcs.



For brackets, go to:

5 3 5 1 0 a

Chains & sprockets	Wear strips	Side guide brackets & accessories	Levelers	Engineering manual
Modular belts & sprockets	Chain & belt return systems	Frame & structure supports	Bearing supports	
Curves & tracks	Side guide solutions	Miscellaneous products	Equipment	

5 1 6 9 0 a

PRODUCT GUIDES AND ACCESSORIES FOR SIDE GUIDES

www.SystemPlastSmartGuide.com

LARGE TYPE

GUIDE RAILS (FLAT TYPE)

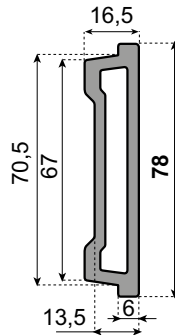
Material: Polyethylene PE 500.

Characteristics:

- Profile can be bent or calendered by means of usual systems.
- Coefficient of linear expansion: 2.5×10^{-4} .
- Temperature range for continuous use in air: -35°C / +70°C.
- Min. bending radius: 200 mm.

Notes: when sealing the ends, a 2 mm space must be left between the silicone and the end of the bar to compensate for linear contraction of the guide rail at low temperatures.

Characteristics: To use this guide, a 60x6 mm steel bar or double M-Profile should be inserted.



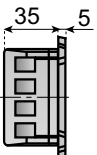
For brackets, go to:

5 3 5 1 0 a



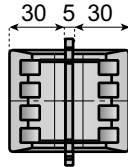
ITEM DESCRIPTION			
PE-500 BLACK	PE-500 LIGHT BLUE	30 m	3 m
VG-H7816M-B-10	VG-H7816M-BL-10		
VG-H7816M-B-20	VG-H7816M-BL-20		6 m

END-PLUG



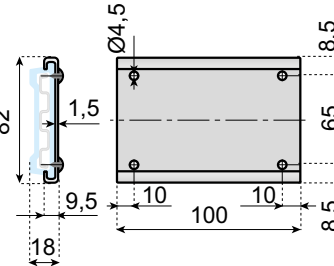
ITEM DESCRIPTION	
PA-FG BLACK	
PEN-H7816M-B	10

CONNECTOR PLUG



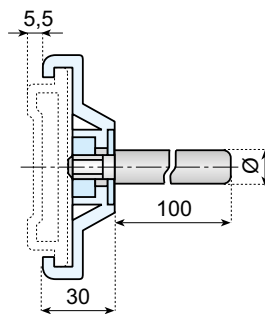
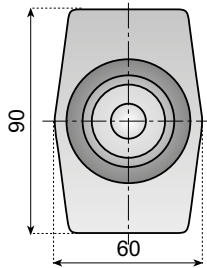
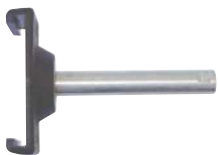
ITEM DESCRIPTION	
PA-FG BLACK	
PCO-H7816M-B	10

CONNECTOR CLAMP



ITEM DESCRIPTION	
STAINLESS STEEL AISI 304	
CON-H7816M-S	10*

Surface: brush finish.
*Packaging: 10 pieces, complete with fixing screws.



CLAMP WITH ROD

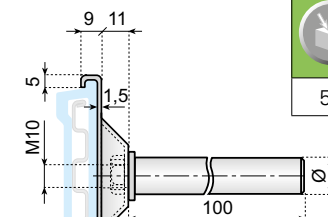
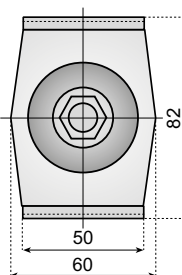
Material: clamp in reinforced polyamide, bolt and rod in stainless steel.

WITHOUT ROD	Ø 12	Ø 14	Ø 16
ITEM DESCRIPTION			
CL-H7816M-P	CL-H7816M-P12100M	CL-H7816M-P14100M	CL-H7816M-P16100M



CLAMP WITH ROD

One piece
Material: clamp, washer and rod in stainless steel AISI 304.
Surface: scotch brite finish. Supply: unassembled.



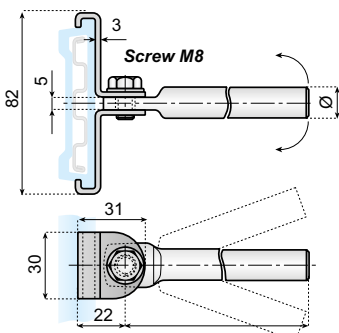
MOQ Min. order quantity: 300 pcs.

WITHOUT ROD	Ø 12	Ø 14	Ø 16
ITEM DESCRIPTION			
CL-H7816M-S	CL-H7816M-S12100M	CL-H7816M-S14100M ^{MOQ}	CL-H7816M-S16100M ^{MOQ}



CLAMP SWIVEL TYPE

Two pieces
Material: clamp, screws, washer and rod in stainless steel AISI 304.
Surface: tumbling finish. Supply: unassembled.



WITHOUT ROD	Ø 12	Ø 14
ITEM DESCRIPTION		
CL-H7816M-SS	CL-H7816M-SS12100M	CL-H7816M-SS14100M ^{MOQ}

MOQ Min. order quantity: 500 pcs.

Chains & sprockets	Wear strips	Side guide brackets & accessories	Levelers	Engineering manual
Modular belts & sprockets	Chain & belt return systems	Frame & structure supports	Bearing supports	
Curves & tracks	Side guide solutions	Miscellaneous products	Equipment	

5 1 7 0 0 a

PRODUCT GUIDES AND ACCESSORIES FOR SIDE GUIDES

www.SystemPlastSmartGuide.com

LARGE TYPE



GUIDE RAILS (FLAT TYPE)

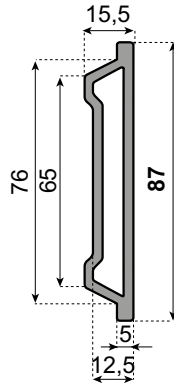
Material: Polyethylene PE 500.

Characteristics:

- Profile can be bent or calendered by means of usual systems.
- Coefficient of linear expansion: 2.5×10^{-4} .
- Temperature range for continuous use in air: $-35^{\circ}\text{C} / +70^{\circ}\text{C}$.
- Min. bending radius: 200 mm.

Notes: when sealing the ends, a 2 mm space must be left between the silicone and the end of the bar to compensate for linear contraction of the guide rail at low temperatures.

Characteristics: To use this guide, a 60x6 mm steel bar or double M-Profile should be inserted.

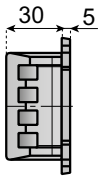


For brackets, go to:

5 3 5 1 0 a

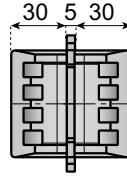
ITEM DESCRIPTION			
PE-500 BLACK	PE-500 LIGHT BLUE	30 m	3 m
VG-H8716M-B-10	VG-H8716M-BL-10		
VG-H8716M-B-20	VG-H8716M-BL-20		6 m

END-PLUG



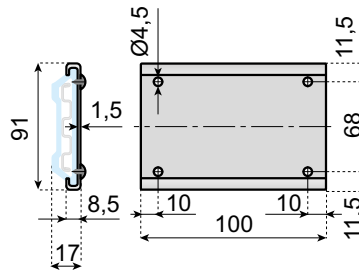
ITEM DESCRIPTION	
PA-FG BLACK	
PEN-H8716M-B	10

CONNECTOR PLUG



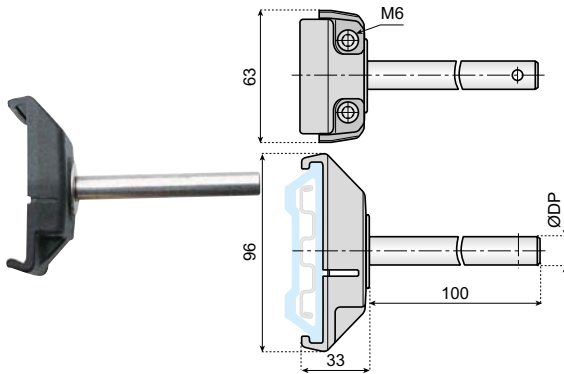
ITEM DESCRIPTION	
PA-FG BLACK	
PCO-H8716M-B	10

CONNECTOR CLAMP



ITEM DESCRIPTION	
STAINLESS STEEL AISI 304	
CON-H8716M-S	10*

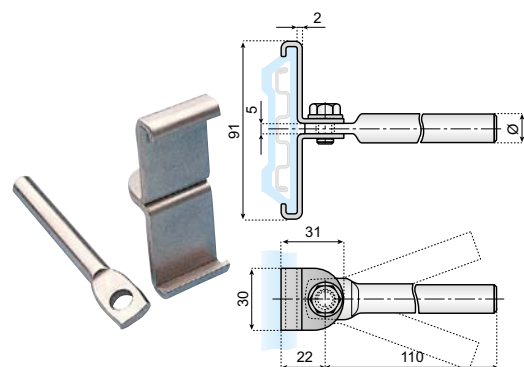
Surface: brush finish.
*Packaging: 10 pieces, complete with fixing screws.



CLAMP WITH ROD

Material: clamp in reinforced polyamide, bolt and rod in stainless steel.
Supply: unassembled.

WITHOUT ROD	Ø 12	Ø 14	Ø 16	
ITEM DESCRIPTION				50
CL-H8716M-P	CL-H8716M-P12100M	CL-H8716M-P14100M	CL-H8716M-P16100M	



CLAMP SWIVEL TYPE

Surface: tumbling finish.
Supply: unassembled.

WITHOUT ROD	Ø 12
ITEM DESCRIPTION	
CL-H8716M-SS	CL-H8716M-SS12100M

Chains & sprockets	Wear strips	Side guide brackets & accessories	Levelers	Engineering manual
Modular belts & sprockets	Chain & belt return systems	Frame & structure supports	Bearing supports	
Curves & tracks	Side guide solutions	Miscellaneous products	Equipment	

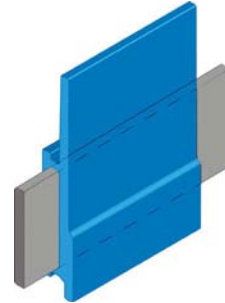
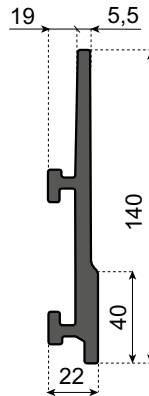
5 1 7 0 3 a

PRODUCT GUIDES AND ACCESSORIES FOR SIDE GUIDES

www.SystemPlastSmartGuide.com



New



SIDE GUIDE PROFILE

Material: Polyethylene PE 1000.

Characteristics:

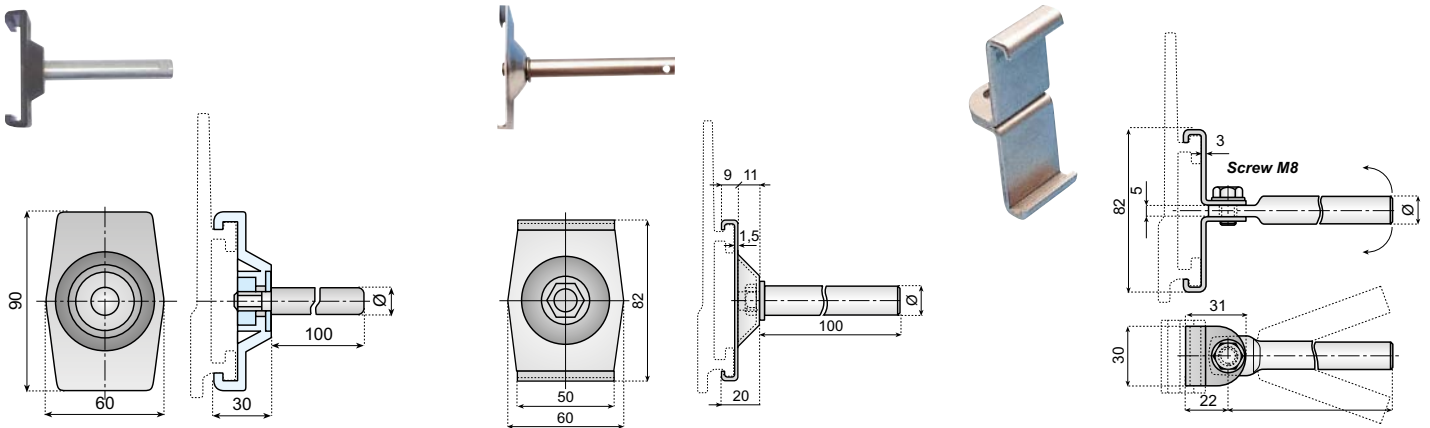
- Profile can be bent or calendered by means of usual systems.
- Coefficient of linear expansion: 2.5×10^{-4} .
- Temperature range for continuous use in air: -35°C / +70°C.

Characteristics: To use this guide, a 60x6 mm steel bar or double M-Profile should be inserted.

ITEM DESCRIPTION			
PE-1000 BLACK	PE-1000 LIGHT BLUE		
VG-H14022M-B-10	VG-H14022M-BL-10	30 m	3 m

This profile is also suitable with our clamping systems. For more information, go to SmartGuide® catalog page:

5 1 6 9 0 a



Chains & sprockets	Wear strips	Side guide brackets & accessories	Levelers	Engineering manual
Modular belts & sprockets	Chain & belt return systems	Frame & structure supports	Bearing supports	
Curves & tracks	Side guide solutions	Miscellaneous products	Equipment	

5 1 7 1 0 a

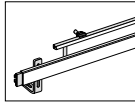
PRODUCT GUIDES

www.SystemPlastSmartGuide.com

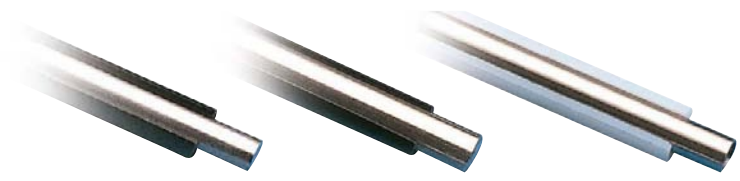


For index side guides, go to:

5 1 5 1 0 a



	UHMWPE BLACK			
	ITEM DESCRIPTION			
	VG-P840DBM-B-10	3 m	30 m	0,55
	VG-DB83M-B-10	3 m	30 m	0,72



			UHMWPE BLACK	UHMWPE WHITE			
			ITEM DESCRIPTION	ITEM DESCRIPTION			
	ØD	A	C				
	8	13	0.3	VG-P8MRD-B-100	VG-P8MRD-100	30 m	0,046
	10	15	0.5	VG-P10MRD-B-100	VG-P10MRD-100	30m	0,056
	12	17	1	VG-P12MRD-B-100	VG-P12MRD-100	30 m	0,062

Chains & sprockets	Wear strips	Side guide brackets & accessories	Levelers	Engineering manual
Modular belts & sprockets	Chain & belt return systems	Frame & structure supports	Bearing supports	
Curves & tracks	Side guide solutions	Miscellaneous products	Equipment	

5 1 7 1 0 z

APPLICATION EXAMPLES

www.SystemPlastSmartGuide.com



SINGLE LINE CONVEYOR SYSTEM WITH SANITARY SIDE GUIDES.

For side guides, go to:

5 1 5 2 0 a



RUBBER TOP MODULAR BELTS WITH ROLLER SIDE GUIDES.

For modular belts with rubber surface, go to:

3 0 0 1 0 a

Roller side guides , go to:

5 2 5 1 0 a



ACCUMULATION SYSTEM FOR SHRINK WRAPPED PRODUCTS.

LBP chains, go to:

1 1 0 1 2 a

Roller side guides, go to:

5 2 5 1 0 a

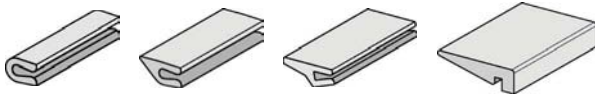
Chains & sprockets	Wear strips	Side guide brackets & accessories	Levelers	Engineering manual
Modular belts & sprockets	Chain & belt return systems	Frame & structure supports	Bearing supports	
Curves & tracks	Side guide solutions	Miscellaneous products	Equipment	



5 1 7 2 0 a

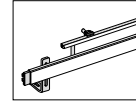
NECK GUIDES FOR PET CONTAINERS

www.SystemPlastSmartGuide.com



For index side guides, go to:

5 1 5 1 0 a



Helps guide PET and HDPE containers in high speed, air conveying applications. Nolu-SR™ is made with a proprietary alloy of reinforced UHMWPE and other USDA accepted lubricants, resulting in a harder, lower friction material that is ideal in these applications. Though designs differ, the choice should be Nolu-SR, proven to increase throughput, reduce jams and wear longer.

Material: Nolu-SR is made with a special UHMWPE with modified molecular structure that helps guide PET containers in high speed applications. Nolu-SX™ have the same characteristics as Nolu-SR, but with reduced thermal expansion (up to 40%)

NOLU-SR™ UHMWPE - DARK GREY NOLU-SX™ UHMWPE - DARK GREY		
--	--	--

ITEM DESCRIPTION		
	For details and code, go to: 5 0 6 5 0 a	
	VG-NG47-SR-100	30 m 30 m
	VG-NG49-SX-100	30 m 30 m
	VG-NG50-SX-100	30 m 30 m
	VG-NG81-SX-100	30 m 30 m
	VG-NG91-SR-100	30 m 30 m
	VG-NG110-SR-100	30 m 30 m
	VG-NG125-SX-100	30 m 30 m

Chains & sprockets	Wear strips	Side guide brackets & accessories	Levelers	Engineering manual
Modular belts & sprockets	Chain & belt return systems	Frame & structure supports	Bearing supports	
Curves & tracks	Side guide solutions	Miscellaneous products	Equipment	

5 1 7 3 0 a

GUIDES FOR PET BOTTLES

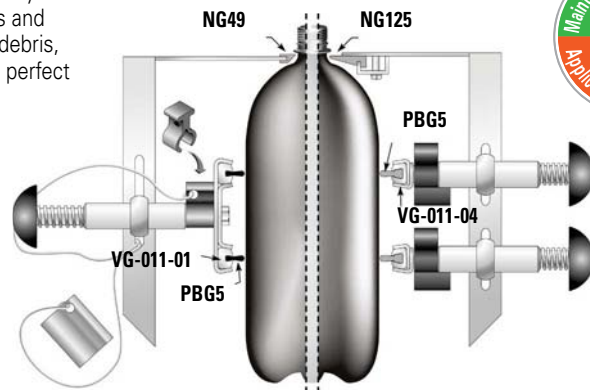
Aluminum guide rail with Nolu-S™ insert is used to guide containers, especially PET and HDPE, in application such as air conveying. Many air conveyor users and manufacturers have found that brush guides tend to get contaminated with debris, which causes increased friction and marking of PET bottles. Nolu-S have the perfect combination of extremely low friction in a tough UHMWPE based material.

NOLU-S will not mark bottles while allowing faster speeds and greater throughput.

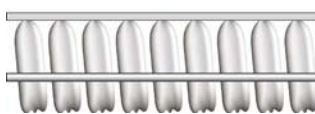


For clamps, go to:

5 1 5 1 0 a



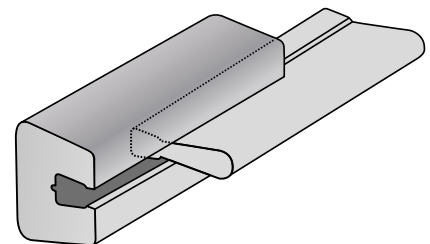
ALUMINIUM	NOLU-S™	NOLU-S™ ANTISTATIC				
ITEM DESCRIPTION						
	-	-	3 m	-	30 m	0.50
	-	-	6 m	-	60 m	0.50
	-	VG-PBG7-NS-100	-	30 m	30 m	0.10
	-	VG-PBG7-NSD-100	-	30 m	30 m	0.10



NOLU-S™
NOLU-SR™ neck guides and **NOLU-S** body guides, with an ultra low coefficient of friction, reduces the degree of bottle tilt and the corresponding wear problems.



OTHER GUIDES
Other guides (especially brushes), when contaminated, can cause irregular tilt and orientation of the bottles, resulting in blockage at curves or inclines.



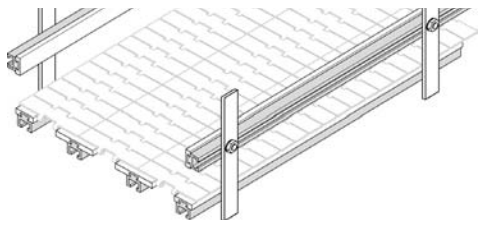
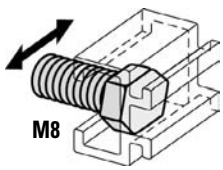
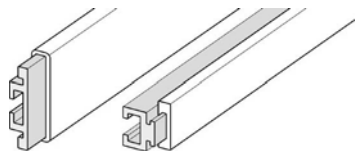
	VG-ABG2-10	-	-	3 m	-	30 m	0.50
	VG-ABG2-20	-	-	6 m	-	60 m	
	-	VG-PBG5-NS-100	VG-PBG5-NSD-100	-	30 m	30 m	0.10
	VG-ABG26-BR-10	-	-	3 m	-	30 m	0.59

Chains & sprockets	Wear strips	Side guide brackets & accessories	Levelers	Engineering manual
Modular belts & sprockets	Chain & belt return systems	Frame & structure supports	Bearing supports	
Curves & tracks	Side guide solutions	Miscellaneous products	Equipment	

5 1 7 4 0 a

ALUMINIUM GUIDE RAIL

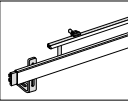
www.SystemPlastSmartGuide.com



continue ►

MATERIAL:
 Extruded ultra high molecular weight polyethylene.
 ** Extruded high molecular weight polyethylene.

For index side guides, go to:
5 1 5 1 0 a



A	** HMWPE WHITE <i>New</i>	UHMWPE WHITE	ANODIZED ALUMINIUM				
ITEM DESCRIPTION							
	-	-	VG-A600A-10	3 m	-	30 m	
	-	-	VG-A600A-20	6 m	-	60 m	
	-	VG-P813-10	-	3 m	-	30 m	
	VG-P813-W-20	VG-P813-20	-	6 m	-	60 m	
	-	VG-P813-100	-	-	30 m	30m	
	-	VG-P813F-10	-	3 m	-	30 m	
	20	-	VG-P813F-20	-	6 m	60 m	
	-	VG-P813F-100	-	-	30 m	30m	
	25	-	VG-P816F-10	-	3 m	-	30 m
		-	VG-P816F-20	-	6 m	-	60 m
	38	-	VG-P824F-10	-	3 m	-	30 m
		-	VG-P824F-20	-	6 m	-	60 m
	53	-	VG-P834F-10	-	3 m	-	30 m
		-	VG-P834F-20	-	6 m	-	60 m

continue ►

Chains & sprockets	Wear strips	Side guide brackets & accessories	Levelers	Engineering manual
Modular belts & sprockets	Chain & belt return systems	Frame & structure supports	Bearing supports	
Curves & tracks	Side guide solutions	Miscellaneous products	Equipment	

5 1 7 4 0 b

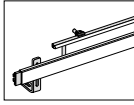
ALUMINIUM GUIDE RAIL

www.SystemPlastSmartGuide.com

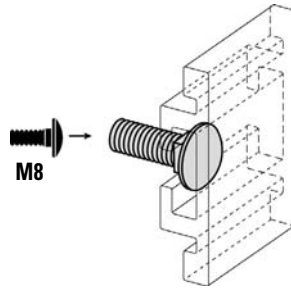
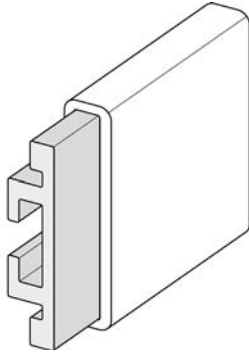


For index side guides, go to:

5 1 5 1 0 a



◀ back



	UHMWPE WHITE	ALUMINIUM		
ITEM DESCRIPTION				
	-	VG-A2520-10	3 m	30 m
	-	VG-A2520-20	6 m	60 m
	VG-P2520BC-10	-	3 m	30 m
	VG-P2520BC-20	-	6 m	60 n

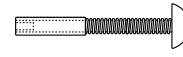
◀ back

Chains & sprockets	Wear strips	Side guide brackets & accessories	Levelers	Engineering manual
Modular belts & sprockets	Chain & belt return systems	Frame & structure supports	Bearing supports	
Curves & tracks	Side guide solutions	Miscellaneous products	Equipment	

5 1 8 1 0 a

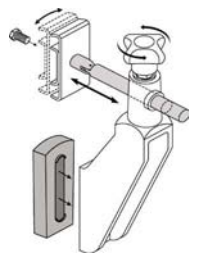
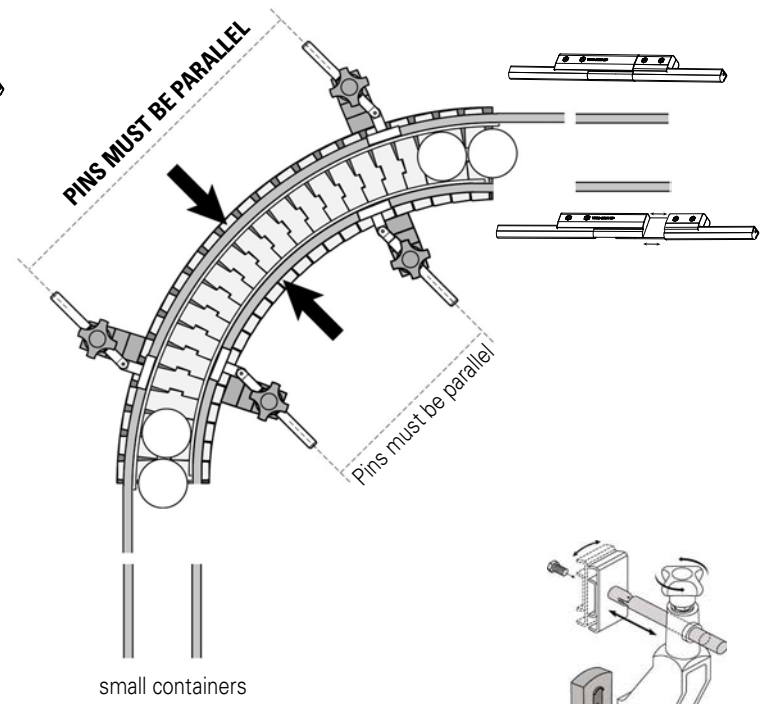
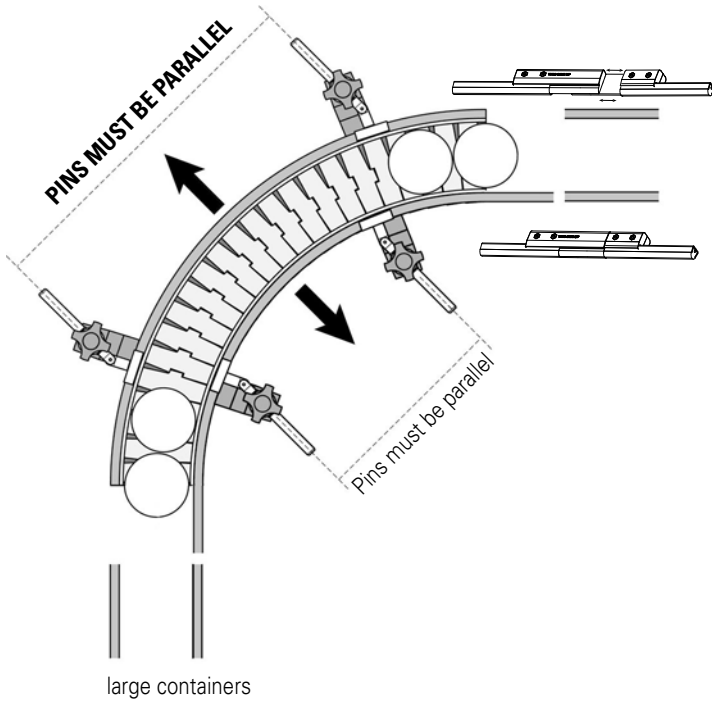
SIDE GUIDE ADJUSTMENT IN CURVES

www.SystemPlastSmartGuide.com



For Speedset™ brackets, go to:

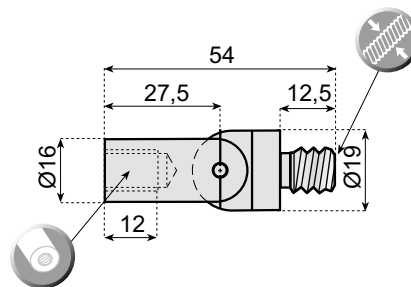
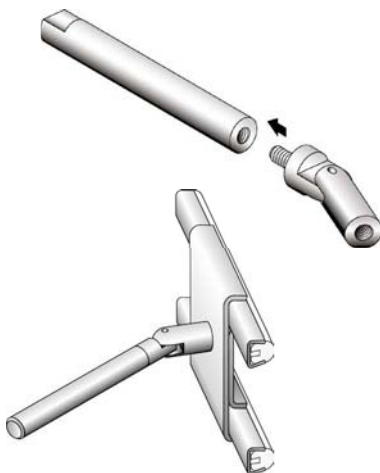
5 3 5 9 5 a



Loosen the brackets knob, slide the pins into position, then re-tighten the bracket knobs.

BRACKET SPACERS FOR ROD USE

Spacers may be required for proper set back of the brackets to allow for the jointed adjusting rod clevis extension.



JOINT ROD ADAPTER

ITEM DESCRIPTION			
VG-222JQ-M8	M8	M8	10
VG-222JQ-M10	M10	M10	

Chains & sprockets	Wear strips	Side guide brackets & accessories	Levelers	Engineering manual
Modular belts & sprockets	Chain & belt return systems	Frame & structure supports	Bearing supports	
Curves & tracks	Side guide solutions	Miscellaneous products	Equipment	

5 1 8 2 0 a

PLASTIC ADJUSTMENT CLAMP SYSTEMS

www.SystemPlastSmartGuide.com

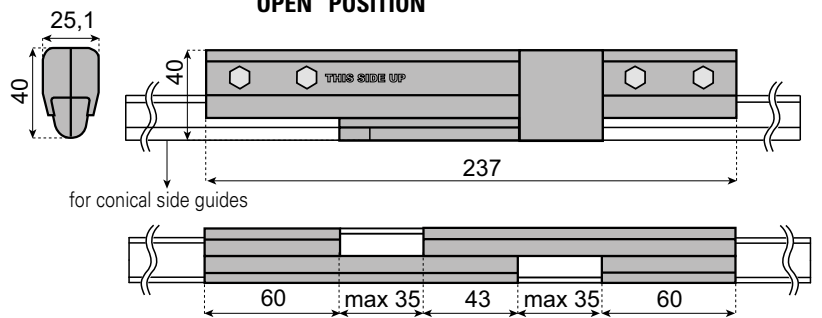


ADJUSTABLE GUIDE RAIL CLAMP

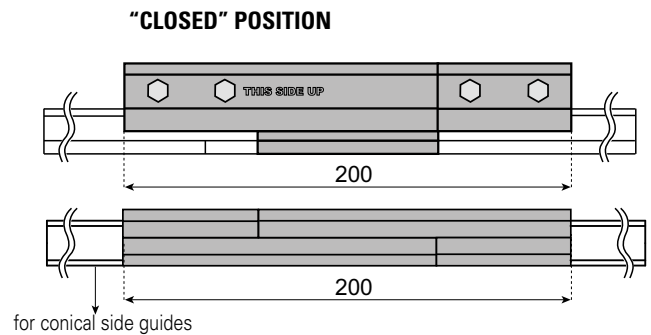
Material: clamp in PA, bolts in stainless steel nuts in nickel plated brass.
Supply: assembled.

ITEM DESCRIPTION	
CL-CON-R	10

"OPEN" POSITION



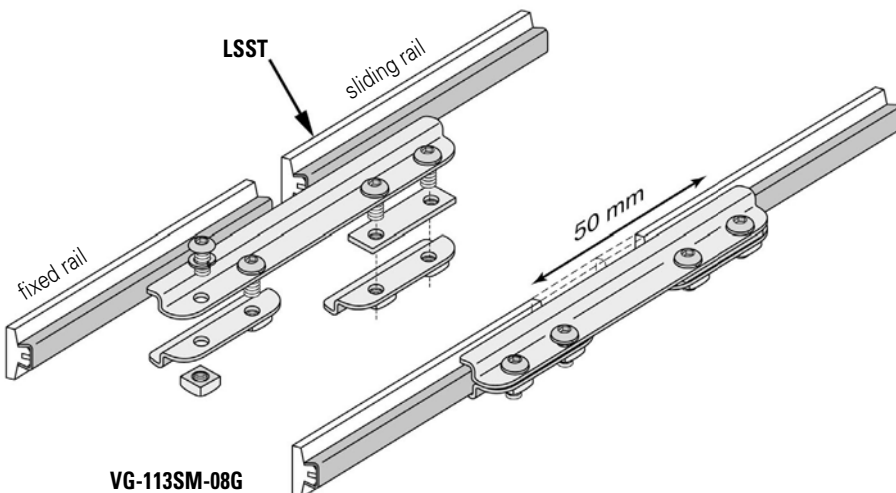
"CLOSED" POSITION



Use for profile:
 VG-LSSR.. go to:

5 1 5 2 0 a

STAINLESS STEEL ADJUSTMENT CLAMP



VG-113SM-08G

ADJUSTABLE SPLICING CLAMP

Allows one rail to slide within the clamp while the other remains fixed.

L mm	WITHOUT ROD	
	ITEM DESCRIPTION	
203	VG-113SM-08G	2

Chains & sprockets	Wear strips	Side guide brackets & accessories	Levelers	Engineering manual
Modular belts & sprockets	Chain & belt return systems	Frame & structure supports	Bearing supports	
Curves & tracks	Side guide solutions	Miscellaneous products	Equipment	

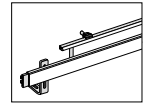
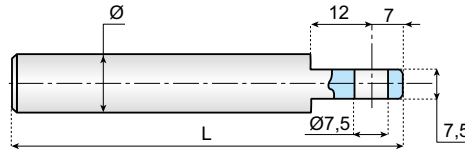
51830a

ADJUSTING RODS

www.SystemPlastSmartGuide.com

MATERIAL: Stainless Steel (AISI 303)

MOQ Min. order quantity applicable.



For index side guides, go to:

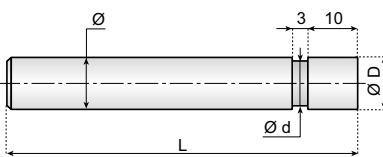
51510a

Use with code: CL-RD20-P.

FOR ROD Ø 12		
ITEM DESCRIPTION		
PK-D12M110	110	50

Use with code: CL-CON-PS.

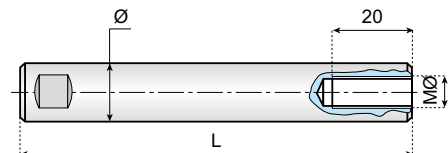
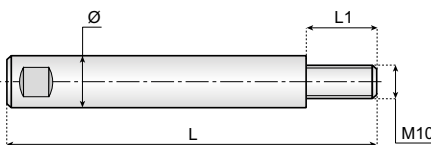
FOR ROD Ø 12		
ITEM DESCRIPTION		
PE7-D12M120	120	50



Use with code: CL-CON-P12M, CL-D-P12100M, CL-RD12-P, CL-RD14-P.

Ø D	Ø D	FOR ROD Ø 12	FOR ROD Ø 14	FOR ROD Ø 16		
		ITEM DESCRIPTION				
9,5	12	PG395-D12M110	PG395-D14M110	PG395-D16M110	110	50
9,5	12	PG395-D12M160	-	-	160	
11,5	13,5	-	PG3115-D14M110	PG3115-D16M110	110	

FOR ROD Ø 12	FOR ROD Ø 14		
ITEM DESCRIPTION			
P-D12M200	P-D14M200	200	50

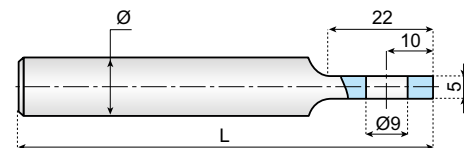
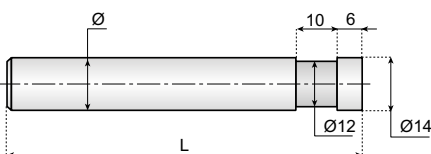


Use with code: CL-CON-PD, CL-RD10-PD, CL-CON-PD85, CL-RD8-PD, CL-H8716M-P, CL-D-PD (Code: PM10M25-D12M120), CL-H7816M-S (Code: PM10M17-D12M120, PM10M17-D16L120).

Use with code: VG-016-02, VG-011-01, VG-012-01, CL-CON-P-M8, CL-D-P-M8, CL-RD12-P-M8, CL-RD14-P-M8

L1	FOR ROD Ø 12	FOR ROD Ø 16		
	ITEM DESCRIPTION			
17	PM10M17-D12M120	PM10M17-D16L120 ^{MOQ}	120	50
19	PM10M19-D12M120	PM10M19-D16L120	120	
19	PM10M19-D12M170	-	170	
25	PM10M25-D12M120	-	120	

M Ø	FOR ROD Ø 12	FOR ROD Ø 14	FOR ROD Ø 16		
	ITEM DESCRIPTION				
M8	PF8M20-D12M100	PF8M20-D14M100	PF8M20-D16M100	100	50
M10	PF10M20-D12M100	-	-	100	
M8	PF8M20-D12M150	PF8M20-D14M150	PF8M20-D16M150	150	
M8	PF8M20-D12M200	PF8M20-D14M200 ^{MOQ}	PF8M20-D16M200 ^{MOQ}	200	



USE WITH CODE: CL-RD20-P

FOR ROD Ø 14	FOR ROD Ø 16		
ITEM DESCRIPTION			
PG1012-D14M110	-	110	50
-	PG1012-D16M160 ^{MOQ}	160	

USE WITH CODE: CL-H45S, CL-1040S, CL-1020S.

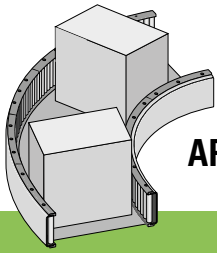
FOR ROD Ø 12		
ITEM DESCRIPTION		
PE9-D12M120	120	50
PE9-D12M170	170	

Chains & sprockets	Wear strips	Side guide brackets & accessories	Levelers	Engineering manual
Modular belts & sprockets	Chain & belt return systems	Frame & structure supports	Bearing supports	
Curves & tracks	Side guide solutions	Miscellaneous products	Equipment	

5 2 5 1 0 a

INDEX ROLLER SIDE GUIDES & ROLLER TRANSFER PLATES

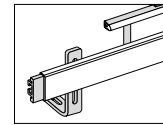
www.SystemPlastSmartGuide.com



APPLICATION STRAIGHT & CURVES

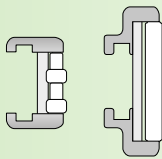
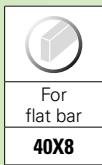
For index side guides, go to:

5 1 5 1 0 a



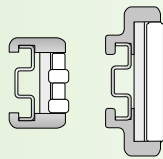
LATERAL

CENTRAL

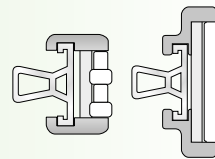


Loose modules

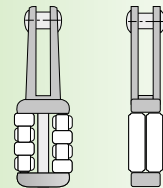
5 2 5 7 0 a



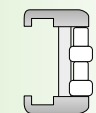
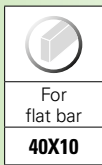
5 2 5 7 1 a



5 2 5 7 2 a

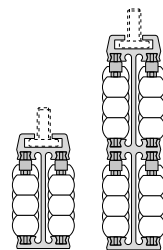
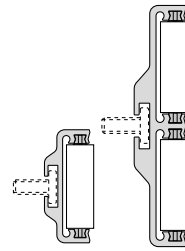
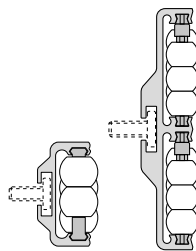


5 2 5 9 2 a



Loose Modules

5 2 5 9 0 a



5 2 6 1 2 a

ACCESSORIES

Aluminium **5 2 6 1 1 a**

PVC **5 2 6 1 0 a**

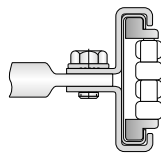
Aluminium **5 2 6 1 3 a**

PVC **5 2 6 1 0 a**

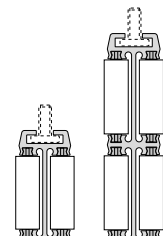
Loose profiles
5 2 6 5 0 a



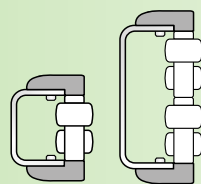
Loose rollers
5 2 6 8 0 a



5 2 5 9 4 a

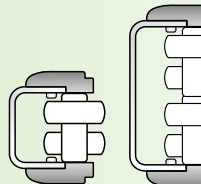


5 2 6 1 4 a

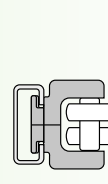


Can only be used straight

5 2 5 2 0 a

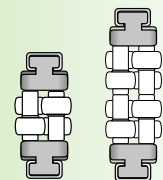


5 2 5 2 1 a



Loose modules

5 2 5 3 0 a



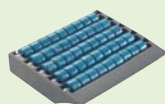
5 2 5 5 0 a



Information about this product is only available on our Smart Guide® website.

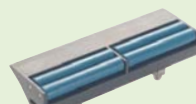


ROLLER TRANSFER PLATES



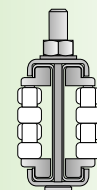
85 & 115 mm

5 2 6 7 0 a



6" & 9"

5 2 6 7 1 a



5 2 5 9 4 a

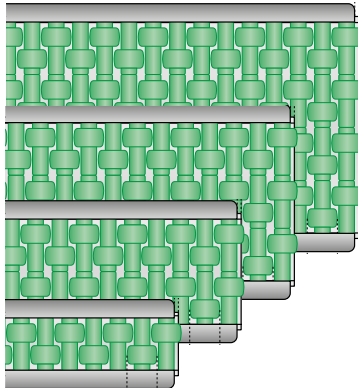
Chains & sprockets	Wear strips	Side guide brackets & accessories	Levelers	Engineering manual
Modular belts & sprockets	Chain & belt return systems	Frame & structure supports	Bearing supports	
Curves & tracks	Side guide solutions	Miscellaneous products	Equipment	



5 2 5 2 0 a

ROLLER SIDE GUIDES FOR STRAIGHT APPLICATIONS

www.SystemPlastSmartGuide.com



Material:

Straps in reinforced polyamide, rollers in acetal resin, screws in stainless steel. Pins and metal profile see the table.

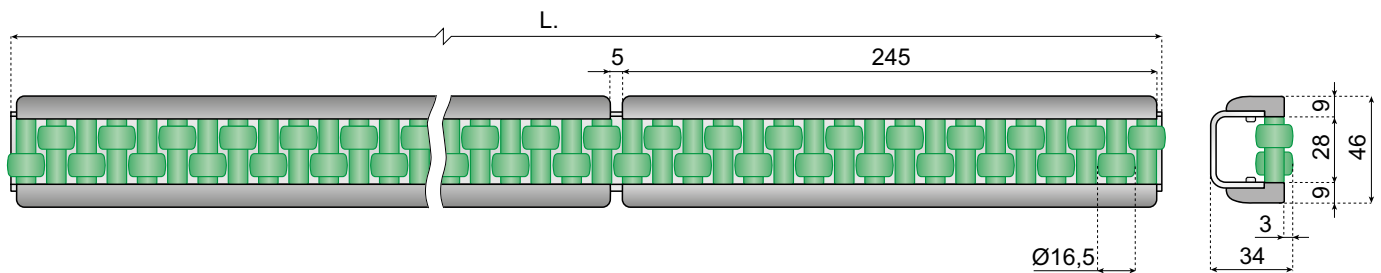
Standard packaging: 2 completely assembled guides.

Applications: designed for rugged boxes and containers.

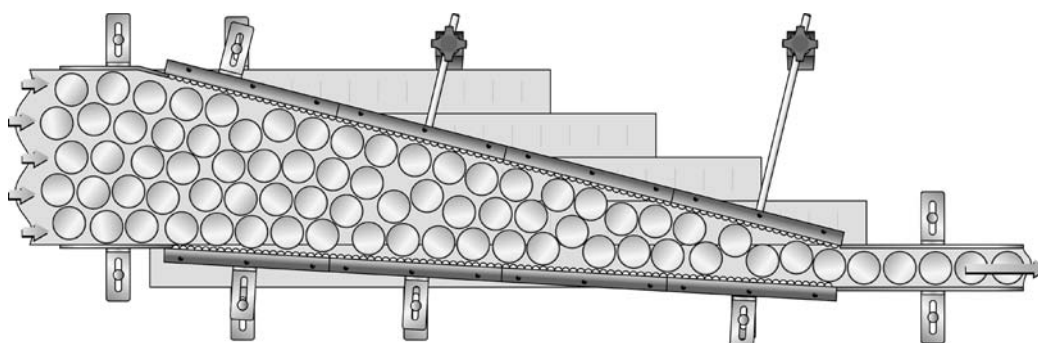
Note: each segment can be pulled out without removing pins and rollers.

Features:

- Low noise rollers.
- Excellent for accumulation areas.
- Long life and smooth operation.
- Easy and quick installation.



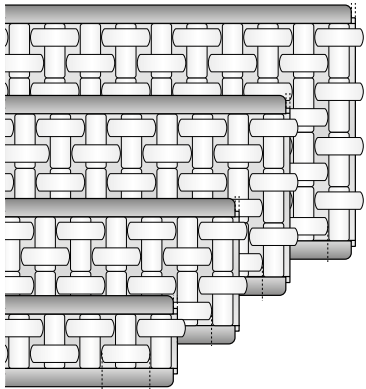
HEIGHT	L	PROFILE STAINLESS STEEL	PROFILE ZINC PLATED STEEL	PIN MATERIAL	Kg/m
		ROLLER GREEN (POM MATERIAL)			
ITEM DESCRIPTION					
46	1 m	RG-165H46G1000S	RG-165H46G1000G	POM	2,4
	2 m	RG-165H46G2000S	RG-165H46G2000G		
	3 m	RG-165H46G3000S	RG-165H46G3000G		
71	1 m	RG-165H71G1000S	RG-165H71G1000G	POM	3,5
	2 m	RG-165H71G2000S	RG-165H71G2000G		
	3 m	RG-165H71G3000S	RG-165H71G3000G		
96	1 m	RG-165H96G1000S	RG-165H96G1000G	S/S AISI 430F	5,4
	2 m	RG-165H96G2000S	RG-165H96G2000G		
	3 m	RG-165H96G3000S	RG-165H96G3000G		
121	1 m	RG-165H121G1000S	RG-165H121G1000G	S/S AISI 430F	6,6
	2 m	RG-165H121G2000S	RG-165H121G2000G		
	3 m	RG-165H121G3000S	RG-165H121G3000G		



Chains & sprockets	Wear strips	Side guide brackets & accessories	Levelers	Engineering manual
Modular belts & sprockets	Chain & belt return systems	Frame & structure supports	Bearing supports	
Curves & tracks	Side guide solutions	Miscellaneous products	Equipment	

5 2 5 2 1 a FLEXIBLE ROLLER MODULES FOR STRAIGHT AND CURVED SECTIONS

www.SystemPlastSmartGuide.com



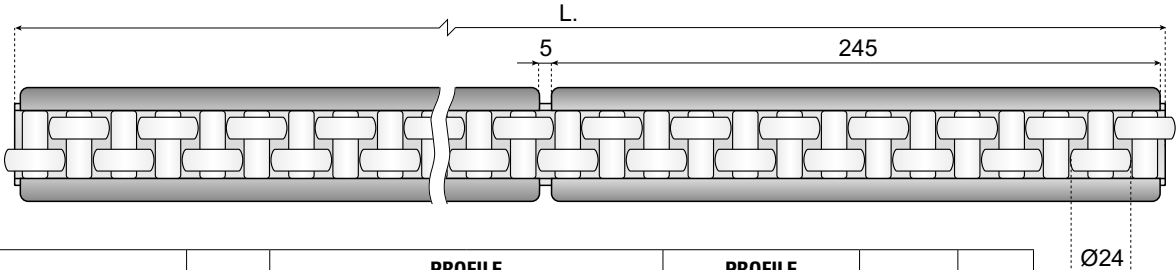
Material:
Straps in reinforced polyamide, rollers in acetal resin, screws in stainless steel. Pins and metal profile see the table.

Standard packaging: 2 completely assembled guides.

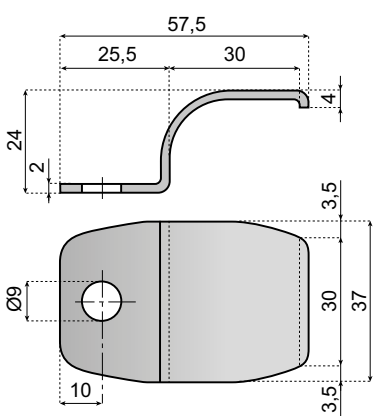
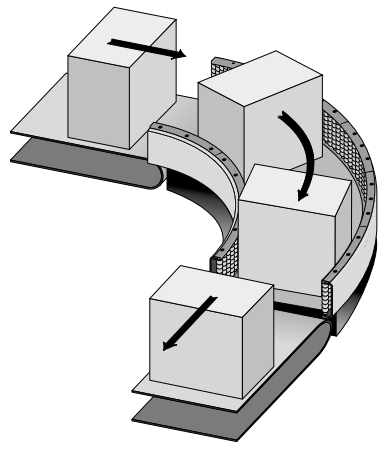
Applications: designed for rugged boxes and containers.

Note: each segment can be pulled out without removing pins and rollers. The design of the side strap provides a position for the clamp without the need for screws or other fixing methods on the conveyors.

- Features:**
- Low noise rollers.
 - Excellent for accumulation areas.
 - Long life and smooth operation.
 - Easy and quick installation.



HEIGHT	L	PROFILE STAINLESS STEEL		PROFILE ZINC PLATED STEEL	PIN MATERIAL	Kg/m
		ROLLER WHITE	ROLLER BLACK ANTISTATIC	ROLLER WHITE		
ITEM DESCRIPTION						
	1 m	RG-240H45W1000S	RG-240H45SD1000S	RG-240H45W1000G	POM	2,0
	2 m	RG-240H45W2000S	RG-240H45SD2000S	RG-240H45W2000G		
	3 m	RG-240H45W3000S	RG-240H45SD3000S	RG-240H45W3000G		
	1 m	RG-240H70W1000S	RG-240H70SD1000S	RG-240H70W1000G	POM	3,1
	2 m	RG-240H70W2000S	RG-240H70SD2000S	RG-240H70W2000G		
	3 m	RG-240H70W3000S	RG-240H70SD3000S	RG-240H70W3000G		
	1 m	RG-240H95W1000S	RG-240H95SD1000S	RG-240H95W1000G	S/S AISI 430F	5,0
	2 m	RG-240H95W2000S	RG-240H95SD2000S	RG-240H95W2000G		
	3 m	RG-240H95W3000S	RG-240H95SD3000S	RG-240H95W3000G		
	1 m	RG-240H120W1000S	RG-240H120SD1000S	RG-240H120W1000G	S/S AISI 430F	6,2
	2 m	RG-240H120W2000S	RG-240H120SD2000S	RG-240H120W2000G		
	3 m	RG-240H120W3000S	RG-240H120SD3000S	RG-240H120W3000G		



CLAMP

Material	ITEM DESCRIPTION	
SS AISI 304	CL-H45S	n°50



Chains & sprockets	Wear strips	Side guide brackets & accessories	Levelers	Engineering manual
Modular belts & sprockets	Chain & belt return systems	Frame & structure supports	Bearing supports	
Curves & tracks	Side guide solutions	Miscellaneous products	Equipment	



5 2 5 3 0 a

ROLLER SIDE GUIDES FOR STRAIGHT AND CURVED APPLICATION

www.SystemPlastSmartGuide.com



Material:

Straps in reinforced polyamide, rollers in acetal resin. Pins and metal profile see the table.

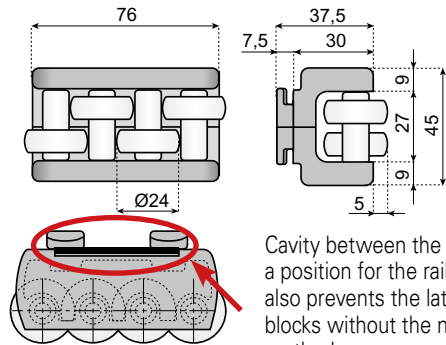
Supply: single module L. 76 mm.

Standard packaging: 50 modules.

Applications: designed for rugged boxes and containers.

Features:

- Excellent for accumulation areas.
- Easy and quick installation.
- Low noise rollers.
- Long life and smooth operation.

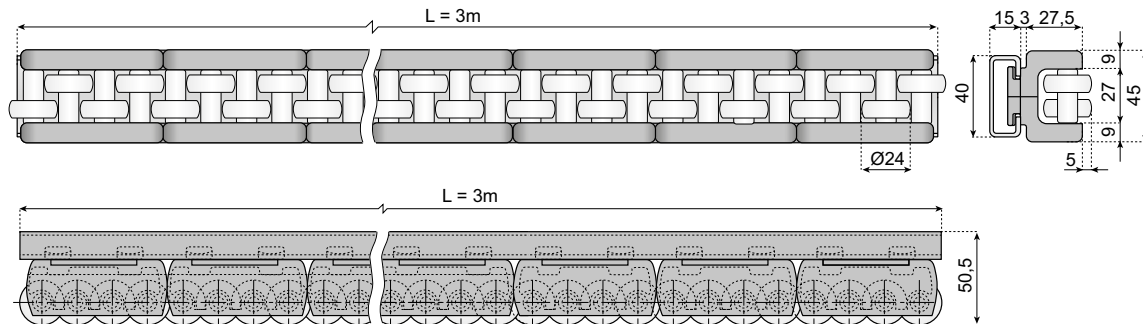


Cavity between the rail and the roller block provides a position for the rail clamp and this design feature also prevents the lateral movement of the roller blocks without the need for screws or other fixing methods.

LOOSE MODULES

Kg/m	Pin Material	ROLLER WHITE	RADIUS	
		ITEM DESCRIPTION	EXTERNAL	INTERNAL
0,15	POM	RG-240H4545W76	R min 600	R min 460

Note: roll sections can be quickly assembled by simply sliding into the rail. Once assembled and the rail is located using clamps the sections can not move laterally.



ASSEMBLED GUIDES L = 3M (39 MODULES)

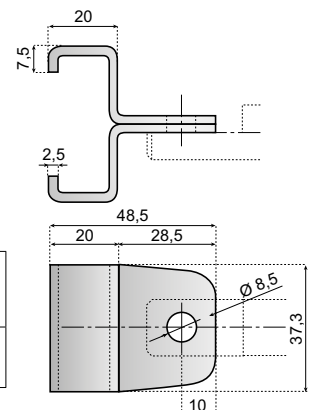
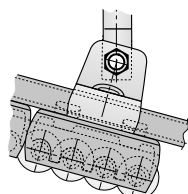
Kg/m	Pin Material	ROLLER WHITE	RADIUS	
		ITEM DESCRIPTION	EXTERNAL	INTERNAL
2,75	POM	RG-240H4545W3000S	R min 600	R min 460

Profile: stainless steel

The clamp is designed to fit into the slot in the back of a section as indicated in the sketch below.

BLOCKING:

Clamps fix metal profile and lateral straps, thus avoiding accidental sliding.



CLAMP

Material	ITEM DESCRIPTION	Quantity
SS AISI 304	CL-1540S	50

Chains & sprockets	Wear strips	Side guide brackets & accessories	Levelers	Engineering manual
Modular belts & sprockets	Chain & belt return systems	Frame & structure supports	Bearing supports	
Curves & tracks	Side guide solutions	Miscellaneous products	Equipment	

5 2 5 5 0 a

FLEXIBLE ROLLER MODULES FOR STRAIGHT AND CURVED SECTIONS

www.SystemPlastSmartGuide.com

INTERMEDIARY ROLLER MODULES FOR CURVED SECTIONS ONE ROLLER • TWO ROLLERS



Material: straps in reinforced polyamide, rollers in acetal resin, screws in stainless steel. Pins see the table.
Conductive version: straps in reinforced polyamide, rollers and pins in acetal resin.
Supply: supplied as single module L. 85 mm.
 Standard packaging: 40 modules.
Applications: designed for rugged boxes and containers.

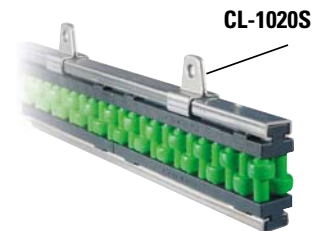


**COMPONENTS: N° 12 PINS •
N° 12 ROLLERS • N° 2 STRAPS**

Features:

- Low noise rollers.
- Excellent for accumulation areas.
- Long life and smooth operation.
- Easy and quick installation.

ONE ROLLER MODULE	Pin Material	ROLLER GREEN	Kg/m
		ITEM DESCRIPTION	
	POM	RGC30-165H65G85	0,14
	POM	RGC30-165H96G85	0,17

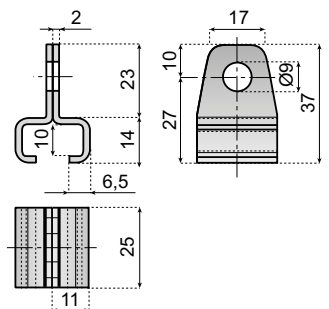


INTERMEDIARY ROLLER GUIDE WITH STEEL PROFILE FOR CURVED SECTIONS ONE ROLLER • TWO ROLLERS

Material: straps in reinforced polyamide, rollers in acetal resin, screws in stainless steel. Pins and metal profile see the table.
Supply: 3m steel profile with 35 roller modules.
 Standard packaging: 5 completely assembled profiles.
Applications: designed for rugged boxes and containers.

ASSEMBLED GUIDES L = 3M STAINLESS STEEL PROFILE

ONE ROLLER MODULE	Kg/m	L	Pin Material	ROLLER GREEN	
				PROFILE STAINLESS STEEL	PROFILE ZINC PLATED STEEL
ITEM DESCRIPTION					
	1,9	3 m	POM	RGC30-165H70G3000S	RGC30-165H70G3000G
	2,025	3m	POM	RGC30-165H96G3000S	RGC30-165H96G3000G



CLAMP

Material	ITEM DESCRIPTION
SS AISI 304	50 CL-1020S

Chains & sprockets	Wear strips	Side guide brackets & accessories	Levelers	Engineering manual
Modular belts & sprockets	Chain & belt return systems	Frame & structure supports	Bearing supports	
Curves & tracks	Side guide solutions	Miscellaneous products	Equipment	

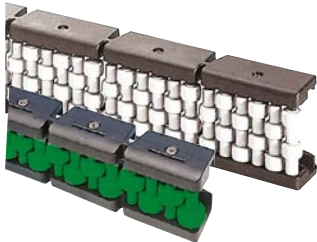


5 2 5 7 0 a

ROLLER GUIDES - FLEXIBLE MODULES

FOR STRAIGHT & CURVED GUIDES

www.SystemPlastSmartGuide.com



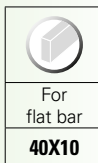
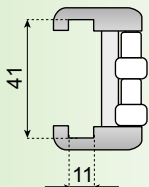
FLEXIBLE MODULES

Material: straps and spacers: reinforced polyamide, rollers and pins: POM-acetal, screws: Stainless steel.

Application: designed for rugged boxes, containers and shrink-wrapped products.

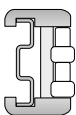
Some versions are also available for 40x10 profile
Go to: www.SystemPlastSmartGuide.com
page code:

5 2 5 9 0 a



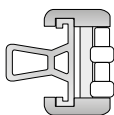
Roller guide modules can also be supplied in lengths of 3M assembled with Stainless Steel or Aluminum profiles.

Go to: www.SystemPlastSmartGuide.com
page code:



Stainless Steel

5 2 5 7 1 a



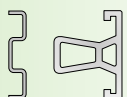
Aluminum

5 2 5 7 2 a

Loose Stainless Steel and Aluminum profiles are available.

Go to: www.SystemPlastSmartGuide.com
page code:

5 2 6 5 0 a



Information about this product is only available on our Smart Guide® website.

Pin Material	ITEM DESCRIPTION	LENGTH PROFILE mm	EXTERNAL	INTERNAL
POM	ROLLER GREEN RG-210H50-840M-G338	338	R min 300	R min 250
POM	ROLLER WHITE RG-105H49-840M-W348	348	R min 300	R min 250
	ROLLER GREEN RG-105H49-840M-V348			
POM	ROLLER WHITE RG-105H81-840M-W348	348	R min 300	R min 250
	ROLLER GREEN RG-105H81-840M-V348			
POM	ROLLER WHITE RG-86H49-840M-W348	348	R min 300	R min 250
	ROLLER GREEN RG-86H49-840M-V348			
POM	ROLLER WHITE RG-86H81-840M-W348	348	R min 300	R min 250
	ROLLER GREEN RG-86H81-840M-V348			

Chains & sprockets	Wear strips	Side guide brackets & accessories	Levelers	Engineering manual
Modular belts & sprockets	Chain & belt return systems	Frame & structure supports	Bearing supports	
Curves & tracks	Side guide solutions	Miscellaneous products	Equipment	



5 2 5 7 1 a

ASSEMBLED ROLLERGUIDES WITH STAINLESS STEEL PROFILE

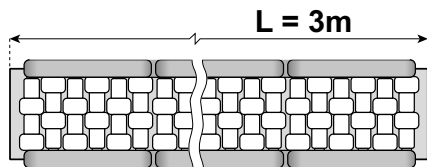
www.SystemPlastSmartGuide.com



ASSEMBLED ROLLERGUIDES

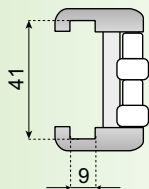
Material: straps and spacers: reinforced polyamide, rollers and pins: POM-acetal, screws: Stainless steel.

Application: designed for rugged boxes, containers and shrink-wrapped products.



For loose modules go to page code:

5 2 5 7 0 a



Roller guide modules can also be supplied in lengths of 3M assembled with Aluminum profiles.

Go to: www.SystemPlastSmartGuide.com page code:



Aluminum

5 2 5 7 2 a

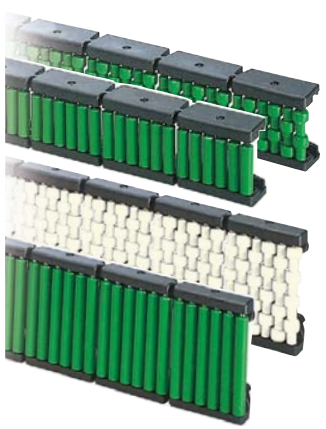
Pin Material	ITEM DESCRIPTION	LENGTH PROFILE mm	EXTERNAL INTERNAL	
POM	ROLLER GREEN RG-210H50-840M-G3000S	3000	R min 300	R min 250
POM	ROLLER WHITE RG-105H49-840M-W3000S	3000	R min 300	R min 250
	ROLLER GREEN RG-105H49-840M-G3000S			
POM	ROLLER WHITE RG-105H81-840M-W3000S	3000	R min 300	R min 250
	ROLLER GREEN RG-105H81-840M-G3000S			
POM	ROLLER WHITE RG-86H49-840M-W3000S	3000	R min 300	R min 250
	ROLLER GREEN RG-86H49-840M-G3000S			
POM	ROLLER WHITE RG-86H81-840M-W3000S	3000	R min 300	R min 250
	ROLLER GREEN RG-86H81-840M-G3000S			

Chains & sprockets	Wear strips	Side guide brackets & accessories	Levelers	Engineering manual
Modular belts & sprockets	Chain & belt return systems	Frame & structure supports	Bearing supports	
Curves & tracks	Side guide solutions	Miscellaneous products	Equipment	

5 2 5 7 2 a

ASSEMBLED ROLLER GUIDES WITH ALUMINIUM PROFILE

www.SystemPlastSmartGuide.com



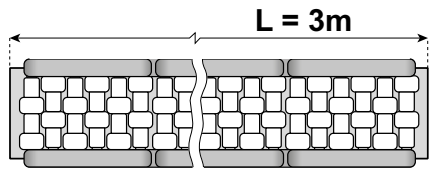
For clamps, go to:

5 1 5 1 0 a

ASSEMBLED ROLLERGUIDES

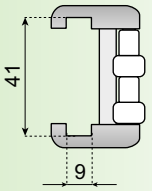
Material: straps and spacers: reinforced polyamide, rollers and pins: POM-acetal, screws: Stainless steel.

Application: designed for rugged boxes, containers and shrink-wrapped products.

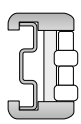


For loose modules go to page code:

5 2 5 7 0 a



Roller guide modules can also be supplied in lengths of 3M assembled with Stainless Steel profiles. Go to: www.SystemPlastSmartGuide.com page code:



Stainless steel

5 2 5 7 1 1 a

Pin Material	ITEM DESCRIPTION	LENGTH PROFILE mm	EXTERNAL	INTERNAL
POM	ROLLER GREEN RG-210H50-840M-G3000A	3000	R min 300	R min 250
POM	ROLLER WHITE RG-105H49-840M-W3000A	3000	R min 300	R min 250
	ROLLER GREEN RG-105H49-840M-G3000A			
POM	ROLLER WHITE RG-105H81-840M-W3000A	3000	R min 300	R min 250
	ROLLER GREEN RG-105H81-840M-G3000A			
POM	ROLLER WHITE RG-86H49-840M-W3000A	3000	R min 300	R min 250
	ROLLER GREEN RG-86H49-840M-G3000A			
POM	ROLLER WHITE RG-86H81-840M-W3000A	3000	R min 300	R min 250
	ROLLER GREEN RG-86H81-840M-G3000A			

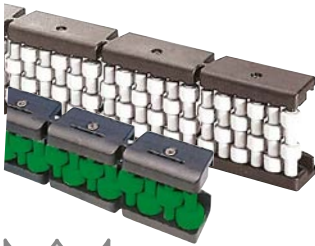
Chains & sprockets	Wear strips	Side guide brackets & accessories	Levelers	Engineering manual
Modular belts & sprockets	Chain & belt return systems	Frame & structure supports	Bearing supports	
Curves & tracks	Side guide solutions	Miscellaneous products	Equipment	



5 2 5 9 0 a

ROLLER GUIDES

www.SystemPlastSmartGuide.com



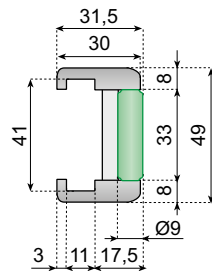
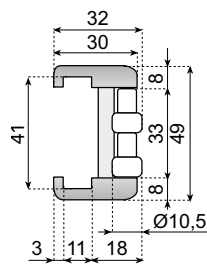
FLEXIBLE MODULES

Material: straps and spacers: reinforced polyamide, rollers and pins: POM-acetal, screws: Stainless steel.

Application: designed for rugged boxes, containers and shrink-wrapped products.

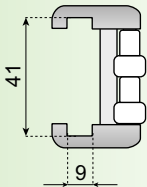


Pin Material	ITEM DESCRIPTION	LENGTH MODULE mm	R	
			EXTERNAL	INTERNAL
POM	ROLLER WHITE RG-105H49-1040M-W348	348	R min 300	R min 250
	ROLLER GREEN RG-105H49-1040M-V348			
POM	ROLLER WHITE RG-86H49-1040M-W348	348	R min 300	R min 250
	ROLLER GREEN RG-86H49-1040M-V348			



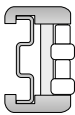
Some versions are also available for 40x8 profile. Go to: www.SystemPlastSmartGuide.com page:

5 2 5 7 0 a



Roller guide modules can also be supplied in lengths of 3M assembled with Stainless Steel or Aluminum profiles.

Go to: www.SystemPlastSmartGuide.com page code:



Stainless steel

5 2 5 7 1 a



Aluminum

5 2 5 7 2 a



3 0 1 1 0 a

Example: This roller guide is use with the 2120 LBP belt

2120 LBP

Loose Stainless Steel and Aluminum profiles are available.

Go to: www.SystemPlastSmartGuide.com page code:

5 2 6 5 0 a



Information about this product is only available on our Smart Guide® website.

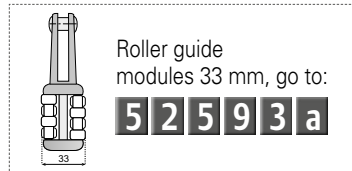
Chains & sprockets	Wear strips	Side guide brackets & accessories	Levelers	Engineering manual
Modular belts & sprockets	Chain & belt return systems	Frame & structure supports	Bearing supports	
Curves & tracks	Side guide solutions	Miscellaneous products	Equipment	

5 2 5 9 2 a

ROLLER GUIDES - FLEXIBLE MODULES

FLEXIBLE INTERMEDIARY ROLLER MODULES 19,5 mm

www.SystemPlastSmartGuide.com



FLEXIBLE MODULES

Material: straps and spacers: reinforced polyamide; rollers and pins: in acetal resin, threaded bush in nickel plated brass, screws in stainless steel.

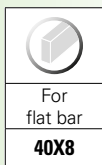
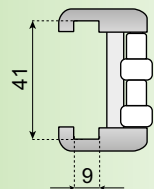
Application: designed for boxes and containers (glass and plastic bottles, tin cans, strong aluminium cans).

Features:

- Improve design
- Smaller rollers and pitch
- Improved performance
- Reduced dimensions
- Low noise rollers
- Excellent for accumulation areas
- Long life and smooth operation
- Easy and quick installation on flat metal profile 40X8

For lateral modules go to page code:

5 2 5 7 0 a

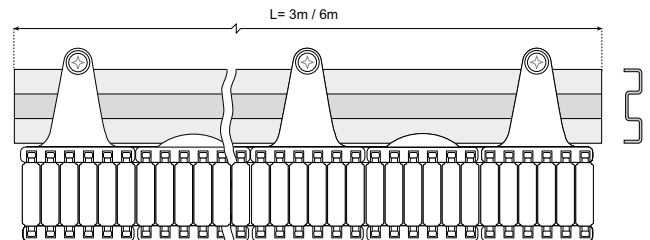


ITEM DESCRIPTION	LENGTH MODULE mm	EXTERNAL	INTERNAL	Pin Material
LOOSE MODULES, L= 290 MM				
 ROLLER WHITE RGC20-105H49-840M-W290	290	R min 200	R min 220	POM
 ROLLER WHITE RGC18-86H49-840M-W290	290	R min 300	R min 250	POM



SHOE

	ITEM DESCRIPTION	Material
	SHOE-49L26	PA



For M Profile stainless steel VG-S840..., go to page code: **5 2 5 6 0 a**

Chains & sprockets	Wear strips	Side guide brackets & accessories	Levelers	Engineering manual
Modular belts & sprockets	Chain & belt return systems	Frame & structure supports	Bearing supports	
Curves & tracks	Side guide solutions	Miscellaneous products	Equipment	

5 2 5 9 3 a

ROLLER GUIDES - FLEXIBLE MODULES

FLEXIBLE INTERMEDIARY ROLLER MODULES 33 mm

www.SystemPlastSmartGuide.com



Roller guide modules 19,5 mm, go to:

5 2 5 9 2 a

FLEXIBLE MODULES

Material: straps and spacers: reinforced polyamide; rollers and pins: in acetal resin, threaded bush in nickel plated brass, screws in stainless steel.

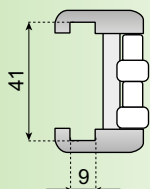
Application: designed for boxes and containers (glass and plastic bottles, tin cans, strong aluminium cans).

Features:

- Improve design
- Smaller rollers and pitch
- Improved performance
- Reduced dimensions
- Low noise rollers
- Excellent for accumulation areas
- Long life and smooth operation
- Easy and quick installation on flat metal profile 40X8

For lateral modules go to page code:

5 2 5 7 0 a

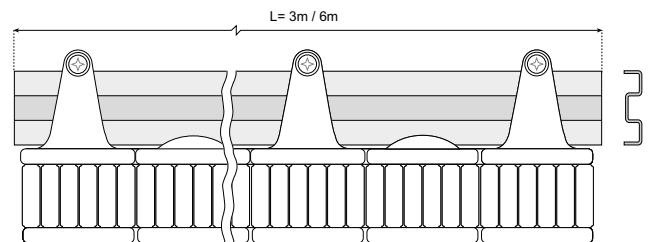


ITEM DESCRIPTION	LENGTH MODULE mm	EXTERNAL INTERNAL		Pin Material
LOOSE MODULES, L= 290 mm				
<p>ROLLER WHITE RGC33-105H49-840M-W290</p>	290	R min 330	R min 330	POM
<p>ROLLER WHITE RGC32-86H49-840M-W290</p>	290	R min 330	R min 330	POM



SHOE

	ITEM DESCRIPTION	Material
	SHOE-49L42	PA



For M Profile stainless steel VG-S840..., go to page code:

5 2 5 6 0 a

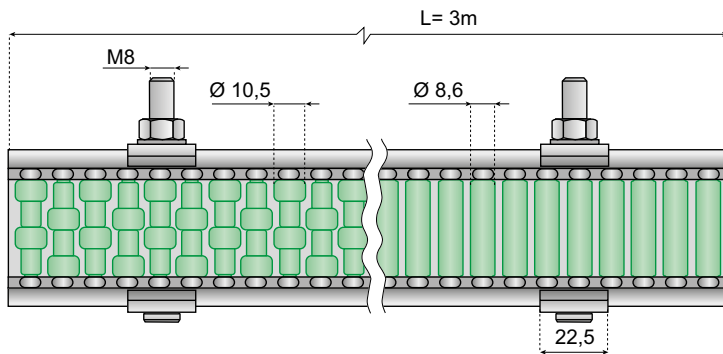
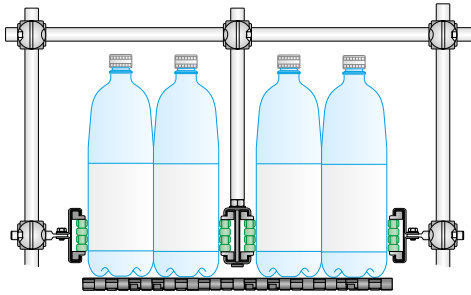
Chains & sprockets	Wear strips	Side guide brackets & accessories	Levelers	Engineering manual
Modular belts & sprockets	Chain & belt return systems	Frame & structure supports	Bearing supports	
Curves & tracks	Side guide solutions	Miscellaneous products	Equipment	

5 2 5 9 4 a

ASSEMBLED ROLLER GUIDES WITH STAINLESS STEEL PROFILE

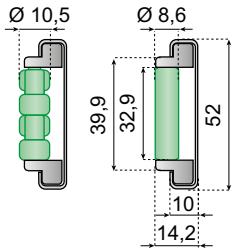
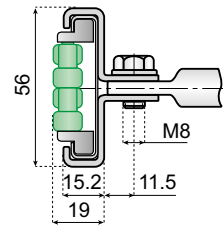
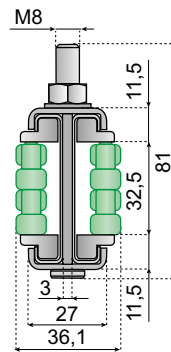
www.SystemPlastSmartGuide.com

FOR CENTRAL AND LATERAL APPLICATIONS



Application: central guide

Application: lateral guide



FLEXIBLE ROLLER GUIDES

Material: straps in reinforced polyamide. Rollers & Pins in acetal resin, profile in stainless steel.

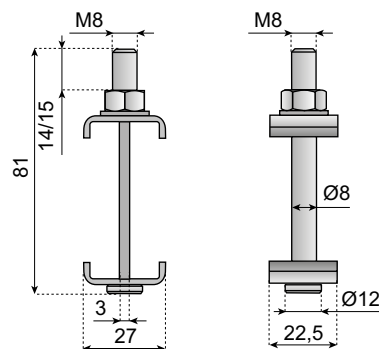
Note: 2 profiles are required to build 1 center guide. Connecting material (clamp CL-H5210C-S-M8) to be ordered separately.

Applications: designed for rugged boxes and multi-packs.



Bending radius:
min 750 mm

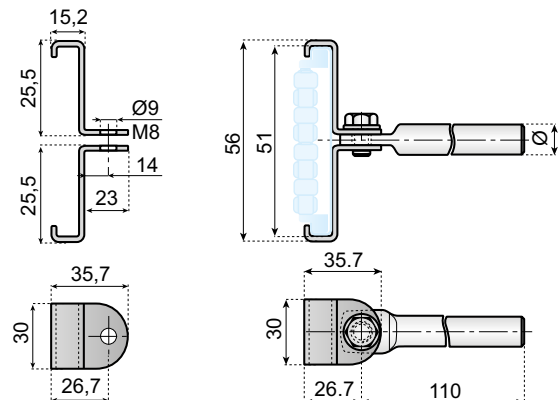
TYPE	Kg/m	ROLLER WHITE	ROLLER GREEN
		ITEM DESCRIPTION	
	2,05	RG-105H52-5210M-W3000S	RG-105H52-5210M-G3000S
		RG-86H52-5210M-W3000S	RG-86H52-5210M-G3000S



CLAMP FOR CENTER GUIDES

Material: Stainless Steel (AISI 304)

ITEM DESCRIPTION
CL-H5210C-S-M8



CLAMP WITH SWIVEL ROD FOR LATERAL GUIDES

Material: Stainless Steel (AISI 304)

WITHOUT ROD	ROD Ø 12
ITEM DESCRIPTION	
CL-H5210-S	CL-H5210-S12100M

Chains & sprockets	Wear strips	Side guide brackets & accessories	Levelers	Engineering manual
Modular belts & sprockets	Chain & belt return systems	Frame & structure supports	Bearing supports	
Curves & tracks	Side guide solutions	Miscellaneous products	Equipment	

5 2 6 1 0 a

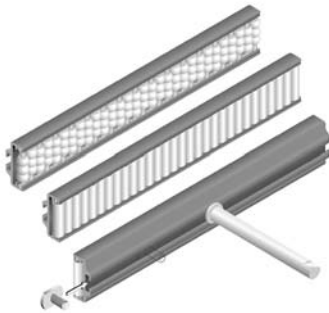
ROLLER GUIDES - FLEXIBLE MODULES

FOR STRAIGHT & CURVED GUIDES

www.SystemPlastSmartGuide.com



Patent N°.
6, 516, 933
7, 147, 098, B2



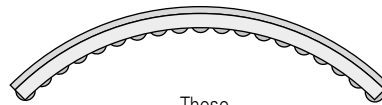
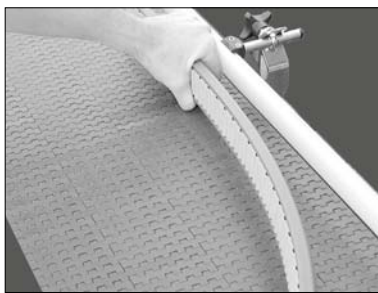
FLEXIBLE SPEEDRAIL™

Material: profile: PVC, rollers: in acetal resin, screws: stainless steel.

Operating temperature range: -10°F to + 180°F

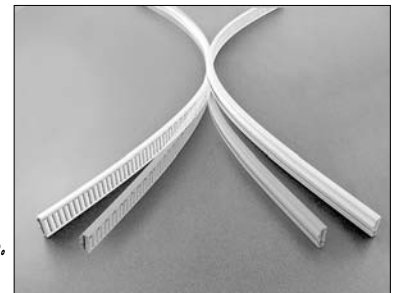
Features:

- Bend by hand to create corners or S-curves easily.
- Can be twisted to help invert containers.
- Saves time and labor associated with machine bending.
- Compatible with other Valu Guide components.
- Available with beads or roller.



These roller guides can be curved.
Min. radius in either direction: 460 mm

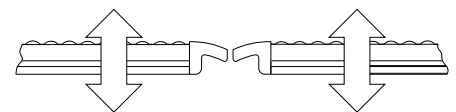
.75M



FLEXIBLE SPEEDRAIL™	ITEM DESCRIPTION	LENGTH	STANDARD PACKAGING:	FOR ALUMINIUM VERSION GO TO:
	VG-687FLEX-1.4-3M	3 m	2 pcs. (6 screws M8, Item description: VG-1568M-02, included with each section)	5 2 6 1 1 a
	VG-688FLEX-1.4-3M	3 m	2 pcs. (6 screws M8, Item description: VG-1568M-02, included with each section)	5 2 6 1 3 a

Side plow for entry, go to: **5 2 6 1 1 a**

Side plow for adjustment, go to: **5 2 6 1 1 a**



687 SP connecting pins, go to: **5 2 6 1 1 a**

25
Ø 3 mm

VG-1568M-02 T-head screws M8, go to: **5 2 6 1 1 a**

Chains & sprockets	Wear strips	Side guide brackets & accessories	Levelers	Engineering manual
Modular belts & sprockets	Chain & belt return systems	Frame & structure supports	Bearing supports	
Curves & tracks	Side guide solutions	Miscellaneous products	Equipment	

5 2 6 1 1 a

SPEEDRAIL™ ROLLER GUIDES - LATERAL - BEADS



ALUMINIUM SPEEDRAIL™

Material:

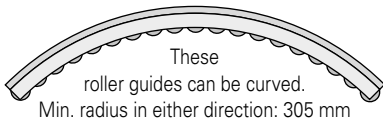
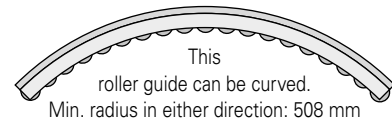
profile: anodized aluminum, rollers: acetal, screws: stainless steel

Features:

- Easy mounting
- Great for polywrapped containers or PET
- Can be curved on site
- Can be cut to desired length without disassembly
- FDA approved engineered polymer



Patent N°:
6, 516, 933
6, 991, 086, B2



Also available with flexible PVC go to:

5 2 6 1 0 a

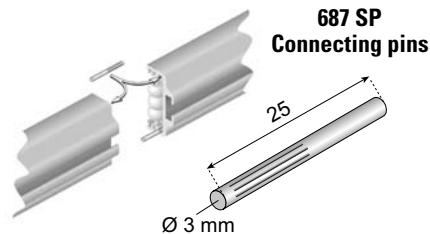
ALUMINIUM ROLLERGUIDE SPEEDRAIL™		
	ITEM DESCRIPTION	VG-686A-1.25-3M
	LENGTH	3 m
	STANDARD PACKAGING:	2 pcs. (6 screws M8, Item description: VG-1568M-02, included with each section)
	ITEM DESCRIPTION	VG-687H-1.4-3M
	LENGTH	3 m
	STANDARD PACKAGING:	2 pcs. (6 screws M8, Item description: VG-1568M-02, included with each section)

ALUMINIUM ROLLERGUIDE SPEEDRAIL™		
	ITEM DESCRIPTION	VG-687H-3.3-3M
	LENGTH	3 m
	STANDARD PACKAGING:	2 pcs. (6 screws M8, Item description: VG-1568M-02, included with each section)

SIDE PLOW FOR ENTRY (FOR HEIGHT 12,5 - VG-687H-1.4-3M)	
	MATERIAL: Molded POM-acetal SCREW: Stainless steel FEATURES: Optimum guiding of packs
	ITEM DESCRIPTION:
	SHOE-48L42

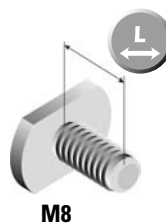
SIDE PLOW FOR ENTRY	
	ITEM DESCRIPTION:
	SHOE-94L42

SIDE PLOW FOR ADJUSTMENT (FOR HEIGHT 12,5 - VG-687H-1.4-3M)	
	ITEM DESCRIPTION:
	SHOE-48L25



MATERIAL	ITEM DESCRIPTION
SS	VG-687SP

1568M - T-head screws M8

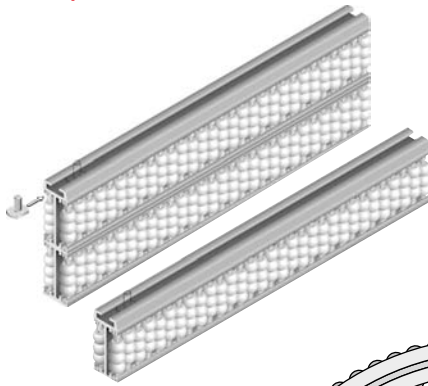


MATERIAL	ITEM DESCRIPTION		
SS	VG-1568M-01	16	10
	VG-1568M-02	19	
	VG-1568M-04	32	

Chains & sprockets	Wear strips	Side guide brackets & accessories	Levelers	Engineering manual
Modular belts & sprockets	Chain & belt return systems	Frame & structure supports	Bearing supports	
Curves & tracks	Side guide solutions	Miscellaneous products	Equipment	

5 2 6 1 2 a

SPEEDRAIL™ ROLLER GUIDES - CENTER - BEADS



ALUMINIUM SPEEDRAIL™

Material:

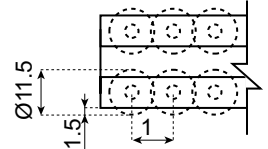
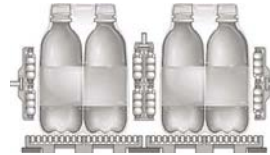
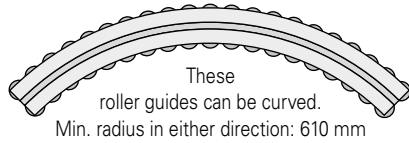
profile: anodized aluminum, rollers: acetal, screws: stainless steel

Features:

- Easy mounting
- Great for polywrapped containers or PET
- Can be curved on site
- Can be cut to desired length without disassembly
- FDA approved engineered polymer



Patent N°:
6, 516, 933
6, 991, 086, B2

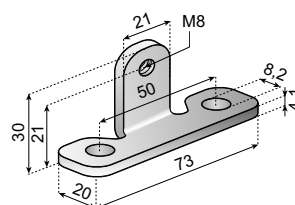


ALUMINIUM ROLLERGUIDE SPEEDRAIL™		
	ITEM DESCRIPTION	VG-687-1.4-3M
	LENGTH	3m
	STANDARD PACKAGING:	2 pcs. (6 screws M8, Item description: VG-1568M-02, included with each section)

ALUMINIUM ROLLERGUIDE SPEEDRAIL™		
	ITEM DESCRIPTION	VG-687-3.3-3M
	LENGTH	3m
	STANDARD PACKAGING:	2 pcs. (6 screws M8, Item description: VG-1568M-02, included with each section)

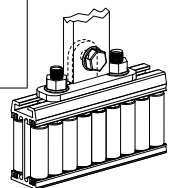
NOSE PLOW FOR CENTER GUIDES
<p>MATERIAL: NOLU-S™ PE SCREW: STAINLESS STEEL</p> <p>ITEM DESCRIPTION: VG-687NP-1.4M</p>

NOSE PLOW FOR CENTER GUIDES
<p>HEIGHT: 101mm: TO USE 2 UNITS</p> <p>ITEM DESCRIPTION: VG-687NP-1.4M</p>
<p>EXAMPLE:</p>



687 LDB
Lane divider bracket

MATERIAL	ITEM DESCRIPTION
SS	n°2 VG-687LDB-M8

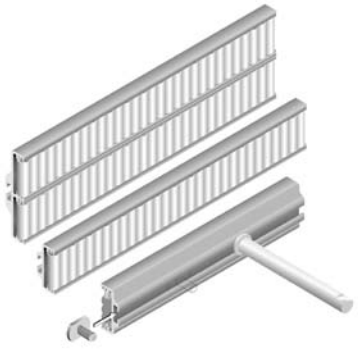


Chains & sprockets	Wear strips	Side guide brackets & accessories	Levelers	Engineering manual
Modular belts & sprockets	Chain & belt return systems	Frame & structure supports	Bearing supports	
Curves & tracks	Side guide solutions	Miscellaneous products	Equipment	

5 2 6 1 3 a

SPEEDRAIL™ ROLLER GUIDES - LATERAL - LONG ROLLERS

www.SystemPlastSmartGuide.com



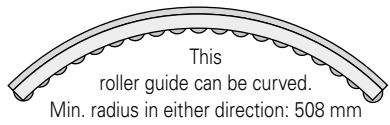
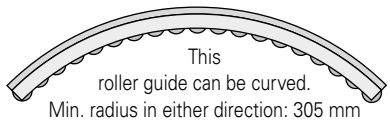
ALUMINIUM SPEEDRAIL™

Material:
profile: anodized aluminum, rollers: acetal, screws: stainless steel

- Features:**
- Easy mounting
 - Great for polywrapped containers or PET
 - Can be curved on site
 - Can be cut to desired length without disassembly
 - FDA approved engineered polymer



Patent N°:
6, 516, 933
6, 991, 086, B2



ALUMINIUM ROLLERGUIDE SPEEDRAIL™		
	ITEM DESCRIPTION	VG-688H-1.4-3M
	LENGTH	3m
	STANDARD PACKAGING:	2 pcs. (6 screws M8, Item description: VG-1568M-02, included with each section)

ALUMINIUM ROLLERGUIDE SPEEDRAIL™		
	ITEM DESCRIPTION	VG-688H-3.3-3M
	LENGTH	3m
	STANDARD PACKAGING:	2 pcs. (6 screws M8, Item description: VG-1568M-02, included with each section)

Also available with flexible PVC go to:

5 2 6 1 0 a

Side plow for entry, go to:
5 2 6 1 1 a

Side plow for adjustment, go to:
5 2 6 1 1 a

Side plow for entry, go to:
5 2 6 1 1 a

687 SP connecting pins, go to:
5 2 6 1 1 a

1568M - T-head screws M8, go to:
5 2 6 1 1 a

Ø 3 mm

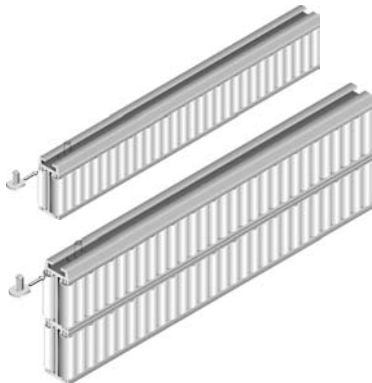
1568M - T-head screws M8, go to:
5 2 6 1 1 a

Chains & sprockets	Wear strips	Side guide brackets & accessories	Levelers	Engineering manual
Modular belts & sprockets	Chain & belt return systems	Frame & structure supports	Bearing supports	
Curves & tracks	Side guide solutions	Miscellaneous products	Equipment	

5 2 6 1 4 a

SPEEDRAIL™ ROLLER GUIDES - CENTER - LONG ROLLERS

www.SystemPlastSmartGuide.com



ALUMINIUM SPEEDRAIL™

Material:

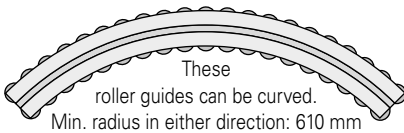
profile: anodized aluminum, rollers: acetal, screws: stainless steel

Features:

- Easy mounting
- Great for polywrapped containers or PET
- Can be curved on site
- Can be cut to desired length without disassembly
- FDA approved engineered polymer



Patent N°. 6, 516, 933
6, 991, 086, B2



ALUMINIUM ROLLERGUIDE SPEEDRAIL™		
	ITEM DESCRIPTION	VG-688-1.4-3M
	LENGTH	3m
	STANDARD PACKAGING:	2 pcs. (6 screws M8, Item description: VG-1568M-02, included with each section)

ALUMINIUM ROLLERGUIDE SPEEDRAIL™		
	ITEM DESCRIPTION	VG-688-3.3-3M
	LENGTH	3m
	STANDARD PACKAGING:	2 pcs. (6 screws M8, Item description: VG-1568M-02, included with each section)

Nose plow, go to:
5 2 6 1 2 a

Nose plow, for center guides, go to:
5 2 6 1 2 a

687 SP connecting pins, go to:
5 2 6 1 1 a

687 LDB Lane divider bracket, go to:
5 2 6 1 2 a

Chains & sprockets	Wear strips	Side guide brackets & accessories	Levelers	Engineering manual
Modular belts & sprockets	Chain & belt return systems	Frame & structure supports	Bearing supports	
Curves & tracks	Side guide solutions	Miscellaneous products	Equipment	



5 2 6 5 0 a

METAL PROFILES FOR ROLLER GUIDES

www.SystemPlastSmartGuide.com

	Al-a		
	ITEM DESCRIPTION		
	VG-A840M-10	3 m	30 m
	VG-A840M-20	6 m	30 m



For clamps, go to:

5 1 5 1 0 a



For stainless steel material go to:

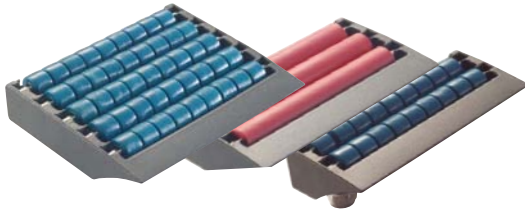
5 0 5 6 0 a

Chains & sprockets	Wear strips	Side guide brackets & accessories	Levelers	Engineering manual
Modular belts & sprockets	Chain & belt return systems	Frame & structure supports	Bearing supports	
Curves & tracks	Side guide solutions	Miscellaneous products	Equipment	

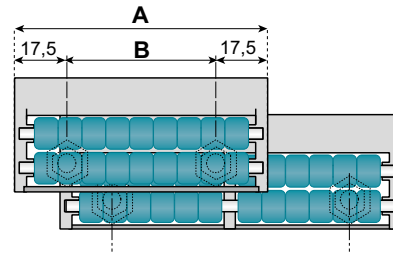
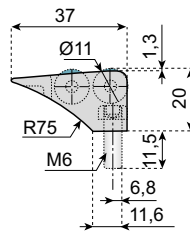
5 2 6 7 0 a

ROLLER TRANSFER PLATES - 85 & 115 mm VERSION

www.SystemPlastSmartGuide.com



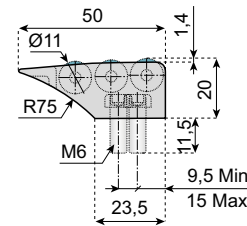
VERSION WITH 2 ROLLERS



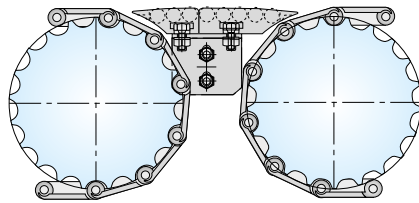
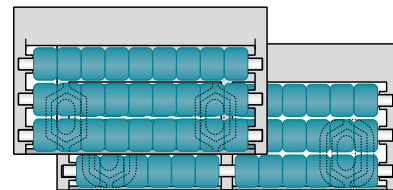
Type:

- MR** Multi rollers, suitable for irregular shaped products
- SR** Plastic rollers with noise reducing characteristics
- SSA** Plastic rollers with micro ball bearings for ultra low coefficient of friction

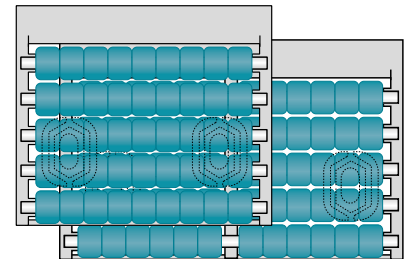
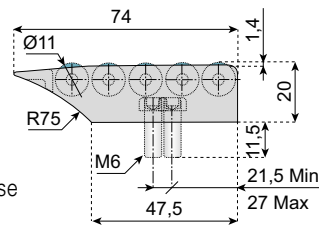
VERSION WITH 3 ROLLERS



B = Center distance of fasteners



VERSION WITH 5 ROLLERS



Material:

Body: Acetal thermoplastic resin

Rollers: Acetal (types MR & SSA), Thermoplastic resin with noise reducing characteristics (type SR)

Pins, hardware and micro ball bearings (SSA only): Stainless steel

ROLLER TYPE: A=85 - B=50				
MR SR SSA				
WITH 2 ROLLERS				
Fastener M6		TME-330R2MR-FM	TME-330R2SR-FM	TME-330R2SSA-FM
		TME-330R2MR-BM	TME-330R2SR-BM	TME-330R2SSA-BM
Nut M6		TME-330R2MR-NM	TME-330R2SR-NM	TME-330R2SSA-NM
WITHOUT SCREWS		TME-330R2MR	TME-330R2SR	TME-330R2SSA
WITH 3 ROLLERS				
Fastener M6		TME-330R3MR-FM	TME-330R3SR-FM	TME-330R3SSA-FM
		TME-330R3MR-BM	TME-330R3SR-BM	TME-330R3SSA-BM
Nut M6		TME-330R3MR-NM	TME-330R3SR-NM	TME-330R3SSA-NM
WITHOUT SCREWS		TME-330R3MR	TME-330R3SR	TME-330R3SSA
WITH 5 ROLLERS				
Fastener M6		TME-330R5MR-FM	TME-330R5SR-FM	TME-330R5SSA-FM
		TME-330R5MR-BM	TME-330R5SR-BM	TME-330R5SSA-BM
Nut M6		TME-330R5MR-NM	TME-330R5SR-NM	TME-330R5SSA-NM
WITHOUT SCREWS		TME-330R5MR	TME-330R5SR	TME-330R5SSA

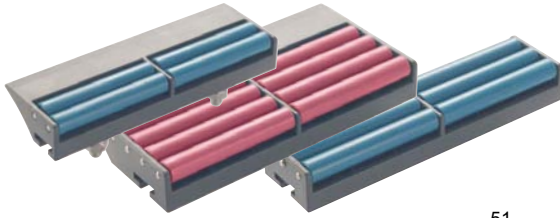
ROLLER TYPE: A=115 - B=80						
MR SR SSA						
WITH 2 ROLLERS						
Fastener M6		TME-450R2MR-FM	TME-450R2SR-FM	TME-450R2SSA-FM		
		TME-450R2MR-BM	TME-450R2SR-BM	TME-450R2SSA-BM		
Nut M6		TME-450R2MR-NM	TME-450R2SR-NM	TME-450R2SSA-NM		
WITHOUT SCREWS		TME-450R2MR	TME-450R2SR	TME-450R2SSA		
WITH 3 ROLLERS						
Fastener M6		TME-450R3MR-FM	TME-450R3SR-FM	TME-450R3SSA-FM		
		TME-450R3MR-BM	TME-450R3SR-BM	TME-450R3SSA-BM		
Nut M6		TME-450R3MR-NM	TME-450R3SR-NM	TME-450R3SSA-NM		
WITHOUT SCREWS		TME-450R3MR	TME-450R3SR	TME-450R3SSA		
WITH 5 ROLLERS						
Fastener M6		TME-450R5MR-FM	TME-450R5SR-FM	TME-450R5SSA-FM		
		TME-450R5MR-BM	TME-450R5SR-BM	TME-450R5SSA-BM		
Nut M6		TME-450R5MR-NM	TME-450R5SR-NM	TME-450R5SSA-NM		
WITHOUT SCREWS		TME-450R5MR	TME-450R5SR	TME-450R5SSA		

Chains & sprockets	Wear strips	Side guide brackets & accessories	Levelers	Engineering manual
Modular belts & sprockets	Chain & belt return systems	Frame & structure supports	Bearing supports	
Curves & tracks	Side guide solutions	Miscellaneous products	Equipment	

5 2 6 7 1 a

ROLLER TRANSFER PLATES - 6" & 9" VERSION

www.SystemPlastSmartGuide.com

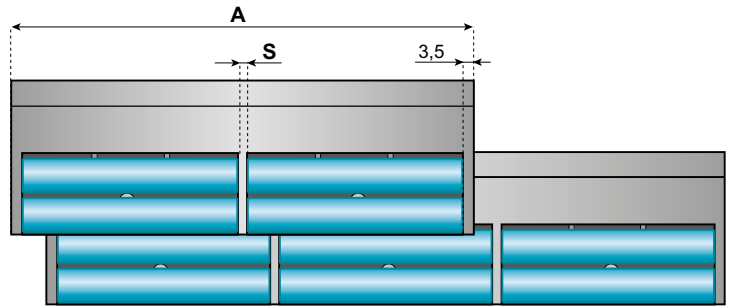
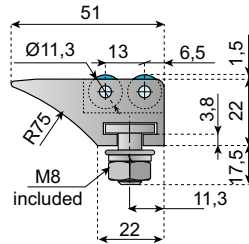


Type:

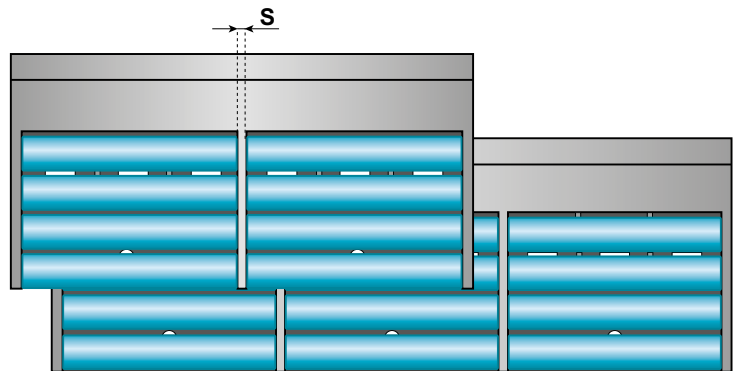
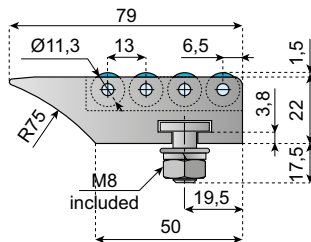
SR Plastic rollers with noise reducing characteristics

SSA Plastic rollers with micro ball bearings for ultra low coefficient of friction

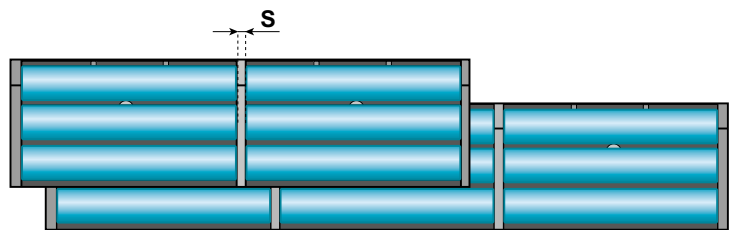
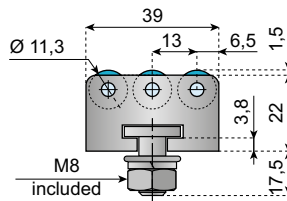
VERSION WITH 2 ROLLERS



VERSION WITH 4 ROLLERS



INTERMEDIATE ROLLER MODULE



Material:

Body: Acetal thermoplastic resin

Rollers: Acetal (type SSA), Thermoplastic resin with noise reducing characteristics (type SR)

Pins, hardware and micro ball bearings (SSA only): Stainless steel



		6" VERSION		9" VERSION	
		Roller type: A=154 - S=3		Roller type: A=225 - S=1.5	
		WITH 2 ROLLERS		WITH 2 ROLLERS	
Fastener M8		TME-K600R2SR-FM	TME-K600R2SSA-FM	TME-K900R2SR-FM	TME-K900R2SSA-FM
		WITH 4 ROLLERS		WITH 4 ROLLERS	
Fastener M8		TME-K600R4SR-FM	TME-K600R4SSA-FM	TME-K900R4SR-FM	TME-K900R4SSA-FM
		WITH 3 ROLLERS		WITH 3 ROLLERS	
Fastener M8		TMC-K600R3SR-FM	TMC-K600R3SSA-FM	TMC-K900R3SR-FM	TMC-K900R3SSA-FM

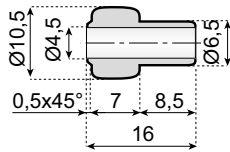
Chains & sprockets	Wear strips	Side guide brackets & accessories	Levelers	Engineering manual
Modular belts & sprockets	Chain & belt return systems	Frame & structure supports	Bearing supports	
Curves & tracks	Side guide solutions	Miscellaneous products	Equipment	



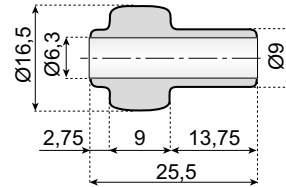
5 2 6 8 0 a

ACCESSORIES FOR ROLLER GUIDES

www.SystemPlastSmartGuide.com

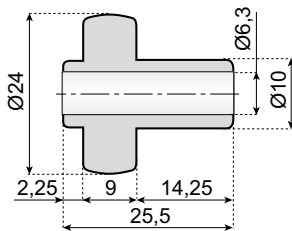


Material	ROLLER WHITE	ROLLER GREEN	
	ITEM DESCRIPTION		
POM	RF-11B4ML16-PMW	RF-11B4ML16-PMG	100

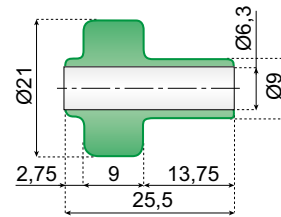


Material	ROLLER WHITE	ROLLER GREEN	
	ITEM DESCRIPTION		
POM	RF-17B6ML26-PMW	RF-17B6ML26-PMG	100

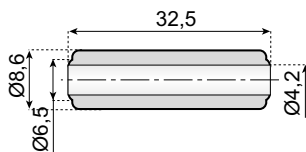
MOQ Min. order quantity: 2500 pcs.



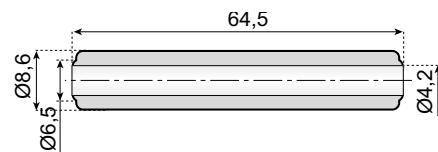
Material	ROLLER WHITE	ROLLER BLACK	
	ITEM DESCRIPTION		
POM	RF-24B6ML26-PMW	RF-24B6ML26-PMSD	100



Material	ROLLER GREEN		
	ITEM DESCRIPTION		
POM	RF-21B6ML26-PMG		100



Material	ROLLER WHITE	ROLLER GREEN	
	ITEM DESCRIPTION		
POM	R-9B4ML33-PMW	R-9B4ML33-PMG	100



Material	ROLLER WHITE	ROLLER GREEN	
	ITEM DESCRIPTION		
POM	R-9B4ML65-PMW	R-9B4ML65-PMG	100

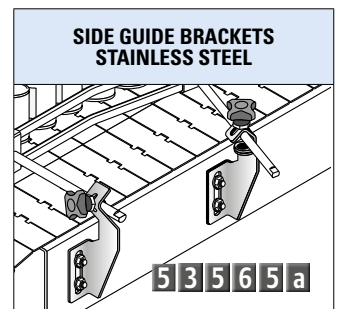
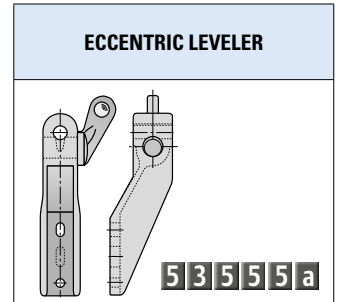
Chains & sprockets	Wear strips	Side guide brackets & accessories	Levelers	Engineering manual
Modular belts & sprockets	Chain & belt return systems	Frame & structure supports	Bearing supports	
Curves & tracks	Side guide solutions	Miscellaneous products	Equipment	

5 3 5 1 0 a

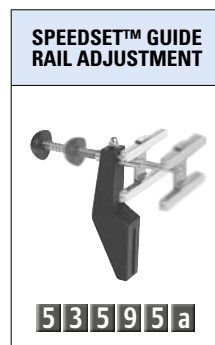
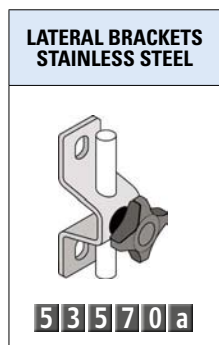
INDEX SIDE GUIDE BRACKETS

www.SystemPlastSmartGuide.com

SIDE GUIDE BRACKETS - FIXED TOP					
TYPE 1	TYPE 2	A		B	PAGE CODE
		TYPE 1	TYPE 2		
		35	-	31	5 3 5 5 5 a
		-	61	38,5	5 3 5 6 0 a
		65	-	30	5 3 5 5 5 a
		66	-	30,5	5 3 5 1 5 a
		-	78,5	30	5 3 5 5 5 a
		-	89	38,5	5 3 5 6 0 a



SIDE GUIDE BRACKETS - SWIVEL TOP					
TYPE 1	TYPE 2	A		B	PAGE CODE
		TYPE 1	TYPE 2		
		69	-	31	5 3 5 2 5 a
		77	70	43	5 3 5 3 5 a
		-	69	44	5 3 5 4 5 a



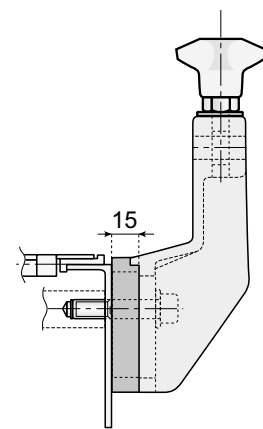
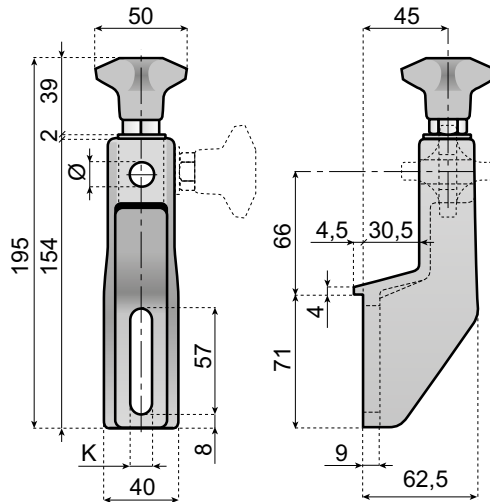
Information about this product is only available on our Smart Guide® website.

Chains & sprockets	Wear strips	Side guide brackets & accessories	Levelers	Engineering manual
Modular belts & sprockets	Chain & belt return systems	Frame & structure supports	Bearing supports	
Curves & tracks	Side guide solutions	Miscellaneous products	Equipment	

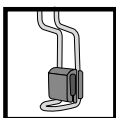
53515a

SIDE GUIDE BRACKETS – FIXED TOP

www.SystemPlastSmartGuide.com



MATERIAL	K mm	Ø 12	Ø 14	
		ITEM DESCRIPTION		
PA-FG	9	BKF-66W31L-90P12	BKF-66W31L-90P14	50
	10,5	BKF-66W31L-105P12	BKF-66W31L-105P14	



Suitable for drip tray brackets, go to:

53600a



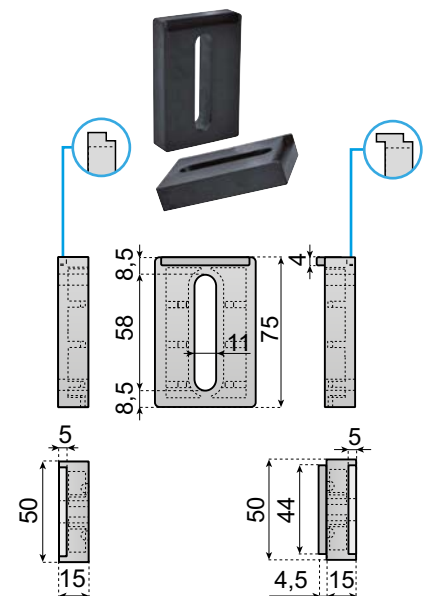
To see other types of this bracket go to:

53515b

BRACKET WITH EYEBOLT AND KNOB

Material: reinforced polyamide, eyebolt and washer in stainless steel AISI 304, knob in polyamide with nickel plated brass insert.

Note: max recommended tightening torque 4 Kgm.



SPACER FOR BRACKET

TYPE	MATERIAL	ITEM DESCRIPTION	
Without lip	PA-FG	SP-7550T15	50
With lip		SP-7550T15L	50

Chains & sprockets	Wear strips	Side guide brackets & accessories	Levelers	Engineering manual
Modular belts & sprockets	Chain & belt return systems	Frame & structure supports	Bearing supports	
Curves & tracks	Side guide solutions	Miscellaneous products	Equipment	



5 3 5 1 5 b

SIDE GUIDE BRACKETS - FIXED TOP

www.SystemPlastSmartGuide.com

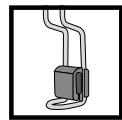


Material: reinforced polyamide, eyebolt and washer in stainless steel AISI 304, knob in polyamide with nickel plated brass insert.

Note: max recommended tightening torque 40Nm.

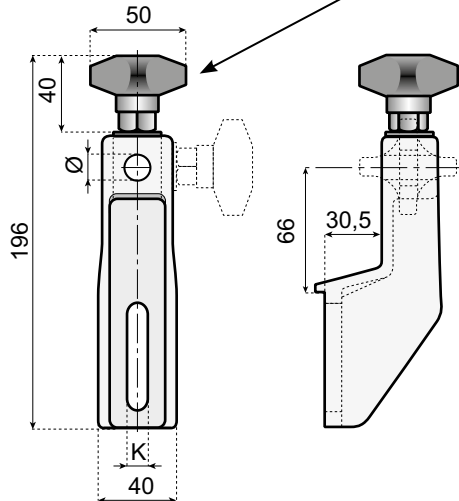
VERSION WITH PLASTIC KNOB

SLOT K	Ø 12	Ø 14	
	ITEM DESCRIPTION		
9	BKF-66W31L-90P12E	BKF-66W31L-90P14E	50
10,5	BKF-66W31L-105P12E	BKF-66W31L-105P14E	50



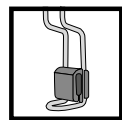
Suitable for drip tray brackets go to:

5 3 6 0 0 a



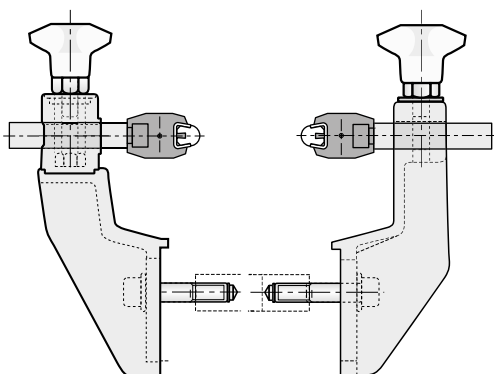
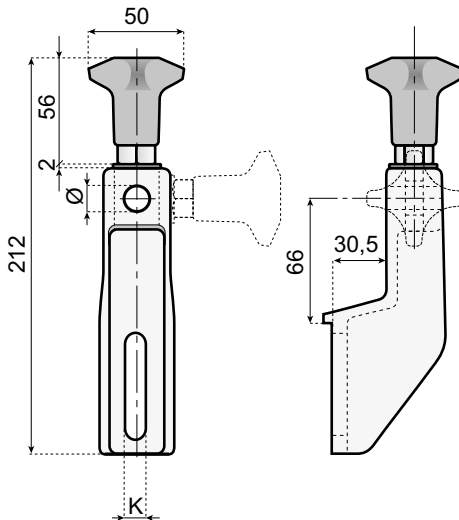
VERSION WITH HIGH KNOB

SLOT K	Ø 12	Ø 14	
	ITEM DESCRIPTION		
9	BKF-66W31L-90P12H	BKF-66W31L-90P14H	50
10,5	BKF-66W31L-105P12H	BKF-66W31L-105P14H	50



Suitable for drip tray brackets go to:

5 3 6 0 0 a



This bracket is suitable for use in combination with brackets with rotating top.

5 3 5 2 5 a



For other type of brackets, go to:

5 3 5 1 5 a



For spacer for brackets go to:

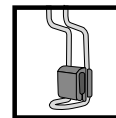
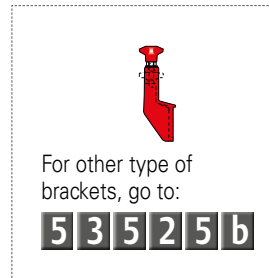
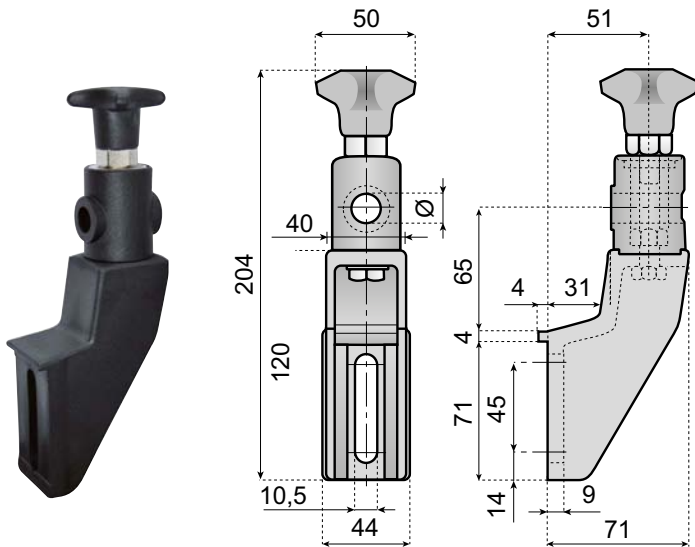
5 3 5 1 5 a

Chains & sprockets	Wear strips	Side guide brackets & accessories	Levelers	Engineering manual
Modular belts & sprockets	Chain & belt return systems	Frame & structure supports	Bearing supports	
Curves & tracks	Side guide solutions	Miscellaneous products	Equipment	

5 3 5 2 5 a

SIDE GUIDE BRACKETS - SWIVEL TOP-LOW VERSION

www.SystemPlastSmartGuide.com

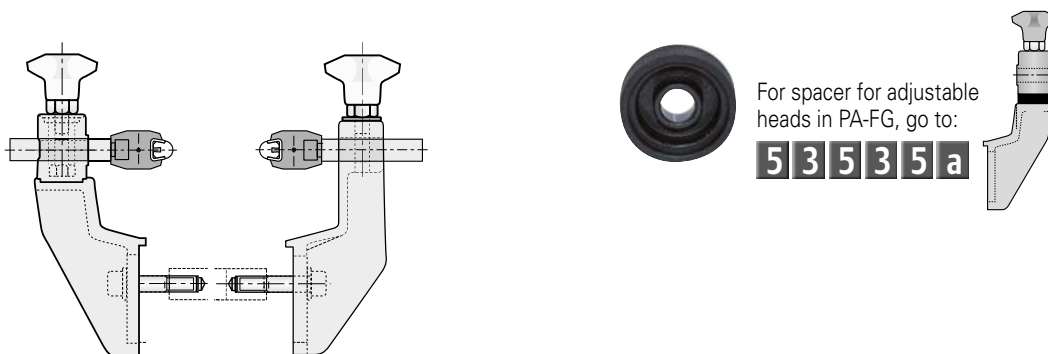


Suitable for drip tray brackets, go to:

5 3 6 0 0 a

PLASTIC				STAINLESS STEEL AISI 304		
Ø 12	Ø 14	Ø 16	Ø 20	Ø 12	Ø 14	Ø 16
ITEM DESCRIPTION						
BKR-69W31LP-P12	BKR-69W31LP-P14	BKR-69W31LP-P16	* BKR-69W31LP-P20	BKR-69W31LS-P12	BKR-69W31LS-P14	BKR-69W31LS-P16

* Suitable with Speedset™ adjustment: 5 3 5 9 5 a



For spacer for adjustable heads in PA-FG, go to:

5 3 5 3 5 a

This bracket is suitable for use in combination with brackets with fixed top.

5 3 5 1 5 a

Adjustable bracket

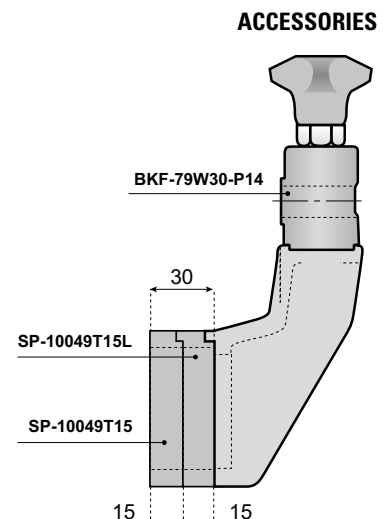
Material: reinforced polyamide, eyebolt and washer in stainless steel AISI 304, knob in polyamide with nickel plated brass insert.

Note: max recommended tightening torque 4 Kgm.



For spacer for brackets go to:

5 3 5 1 5 a



Chains & sprockets	Wear strips	Side guide brackets & accessories	Levelers	Engineering manual
Modular belts & sprockets	Chain & belt return systems	Frame & structure supports	Bearing supports	
Curves & tracks	Side guide solutions	Miscellaneous products	Equipment	

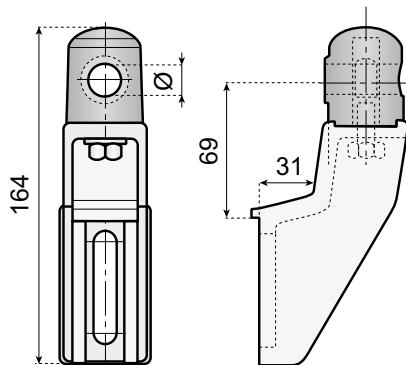
5 3 5 2 5 b

SIDE GUIDE BRACKETS - SWIVEL TOP LOW VERSION

www.SystemPlastSmartGuide.com

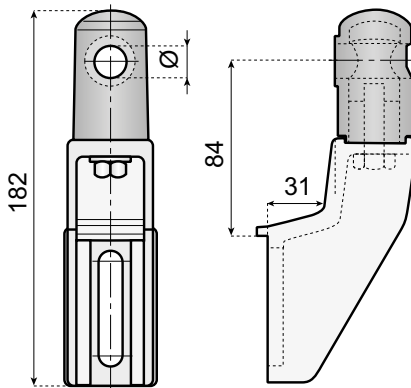
Material: reinforced polyamide, eyebolt and washer in stainless steel AISI 304, knob in polyamide with nickel plated brass insert.

Note: max recommended tightening torque 4 Kgm.



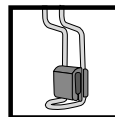
VERSION WITH CLOSED TOP

	Ø 12	Ø 14	Ø 16	
	ITEM DESCRIPTION			
	BKR-69W31LP-P12B	BKR-69W31LP-P14B	BKR-69W31LP-P16B	50



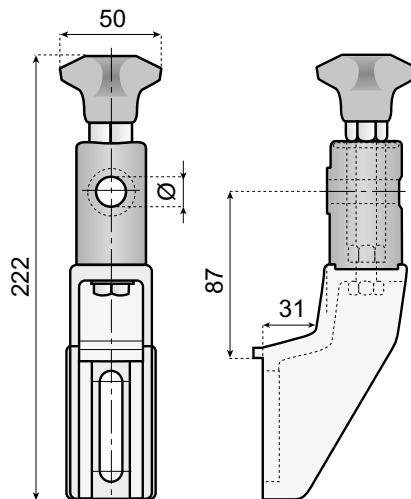
VERSION WITH CLOSED TOP (HIGH)

	Ø 12	
	ITEM DESCRIPTION	
	BKR-84W31LP-P12B	50



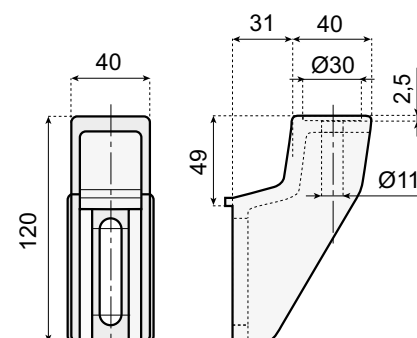
Suitable for drip tray brackets go to:

5 3 6 0 0 a



VERSION WITH HIGH TOP

	Ø 12	Ø 14	Ø 16	
	ITEM DESCRIPTION			
	BKR-87W31LP-P12	BKR-87W31LP-P14	BKR-87W31LP-P16	50



VERSION WITHOUT TOP

	MATERIAL	ITEM DESCRIPTION	
	PA-FG	BK-49W31L	



For other type of brackets, go to:

5 3 5 2 5 a



For spacer for brackets, go to:

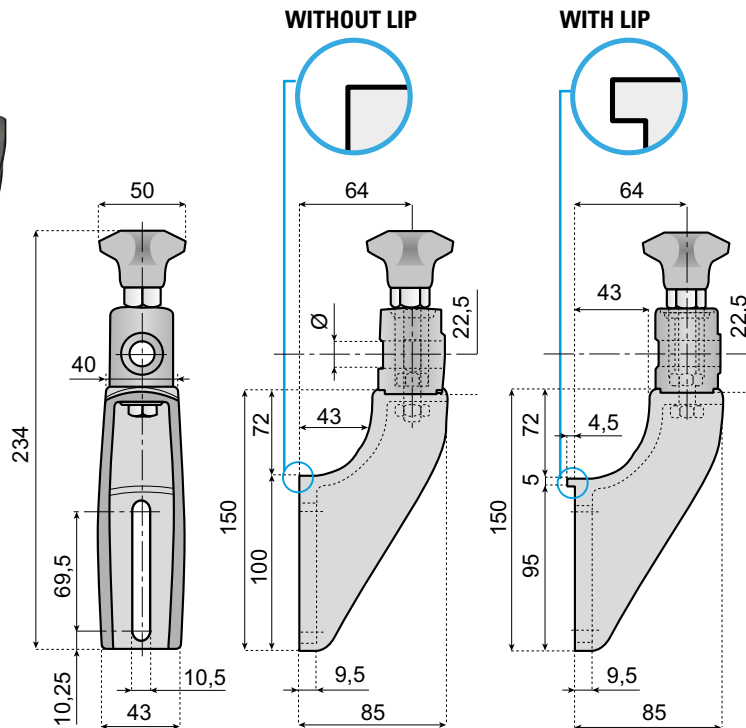
5 3 5 2 5 a

Chains & sprockets	Wear strips	Side guide brackets & accessories	Levelers	Engineering manual
Modular belts & sprockets	Chain & belt return systems	Frame & structure supports	Bearing supports	
Curves & tracks	Side guide solutions	Miscellaneous products	Equipment	

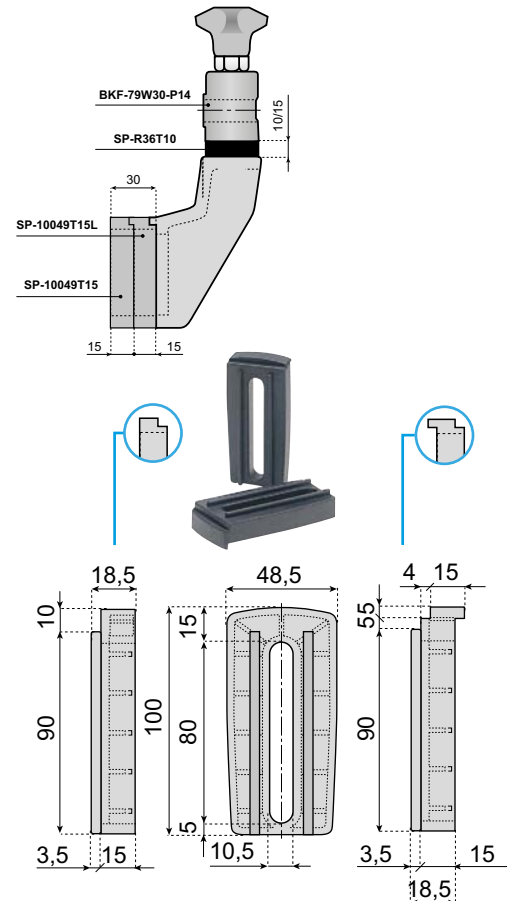
53535a

SIDE GUIDE BRACKETS - SWIVEL TOP

www.SystemPlastSmartGuide.com



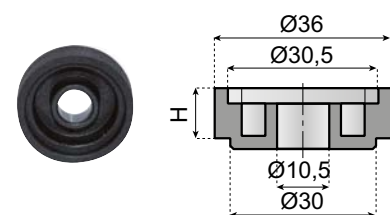
ACCESSORIES



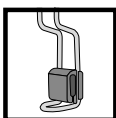
		PLASTIC			
		Ø 12	Ø 14	Ø 16	Ø 20
PLASTIC		ITEM DESCRIPTION			
	Without lip	BKR-72W43P-P12	BKR-72W43P-P14	BKR-72W43P-P16 *	BKR-72W43P-P20
	With lip	BKR-77W43LP-P12	BKR-77W43LP-P14	BKR-77W43LP-P16 *	BKR-77W43LP-P20
STAINLESS STEEL AISI 304		ITEM DESCRIPTION			
	Without lip	BKR-72W43S-P12	BKR-72W43S-P14	BKR-72W43S-P16 *	-
	With lip	BKR-77W43LS-P12	BKR-77W43LS-P14	BKR-77W43LS-P16 *	-

TYPE	MATERIAL	ITEM DESCRIPTION	
	PA-FG	SP-10049T15	50
		SP-10049T15L	50

SPACER FOR ADJUSTABLE HEADS IN PA-FG



H	ITEM DESCRIPTION	
10	SP-R36T10	100
15	SP-R36T15	



Suitable for drip tray brackets go to:

53600a

* Suitable with Speedset™ adjustment:

53595a

ADJUSTING BRACKET

Material: bracket and adjustable head in reinforced polyamide; eyebolt, nut, screws and washer in stainless steel AISI 304; knob in polyamide with nickel plated brass insert.

Note: screw regulates rod position and head adjustability. Max recommended tightening torque 4 Kgm.



For other type of brackets, go to:

53535b

Chains & sprockets	Wear strips	Side guide brackets & accessories	Levelers	Engineering manual
Modular belts & sprockets	Chain & belt return systems	Frame & structure supports	Bearing supports	
Curves & tracks	Side guide solutions	Miscellaneous products	Equipment	

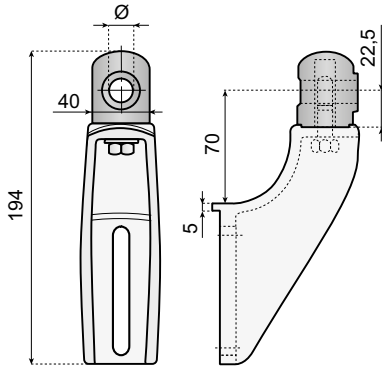
5 3 5 3 5 b

SIDE GUIDE BRACKETS - SWIVEL TOP

www.SystemPlastSmartGuide.com

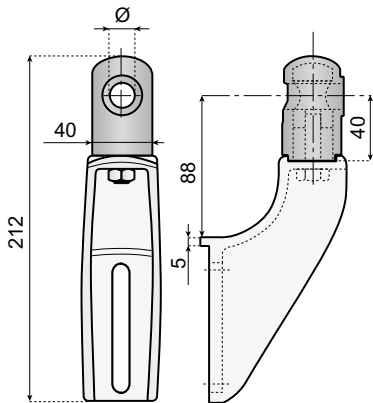
Material: reinforced polyamide, eyebolt and washer in stainless steel AISI 304, knob in polyamide with nickel plated brass insert.

Note: max recommended tightening torque 4 Kgm.



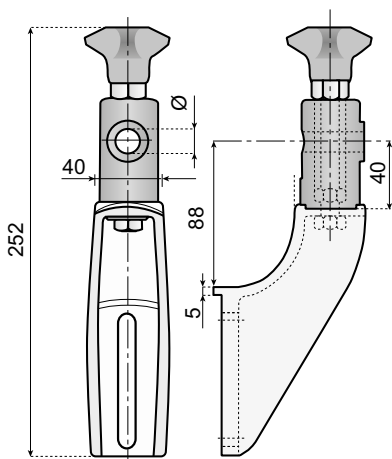
VERSION WITH CLOSED TOP

	Ø 12	Ø 14	Ø 16	
	ITEM DESCRIPTION			
Without lip	BKR-70W43P-P12B	BKR-70W43P-P14B	BKR-70W43P-P16B	50
With lip	BKR-75W43LP-P12B	BKR-75W43LP-P14B	BKR-75W43LP-P16B	50



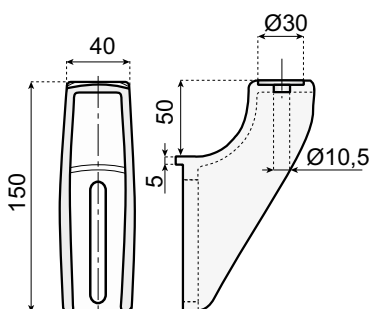
VERSION WITH CLOSED TOP (HIGH)

	Ø 12	
	ITEM DESCRIPTION	
Without lip	BKR-88W43P-P12B	50
With lip	BKR-93W43LP-P12B	50



VERSION WITH HIGH TOP

	Ø 12	Ø 14	Ø 16	
	ITEM DESCRIPTION			
Without lip	BKR-88W43P-P12	BKR-88W43P-P14	BKR-88W43P-P16	50
With lip	BKR-93W43LP-P12	BKR-93W43LP-P14	BKR-93W43LP-P16	50



VERSION WITHOUT TOP

	MATE- RIAL	ITEM DESCRIPTION	
Without lip	PA-FG	BK-50W43	50
With lip		BK-55W43L	50



For other type of brackets, go to:

5 3 5 3 5 a



For spacer for brackets, go to:

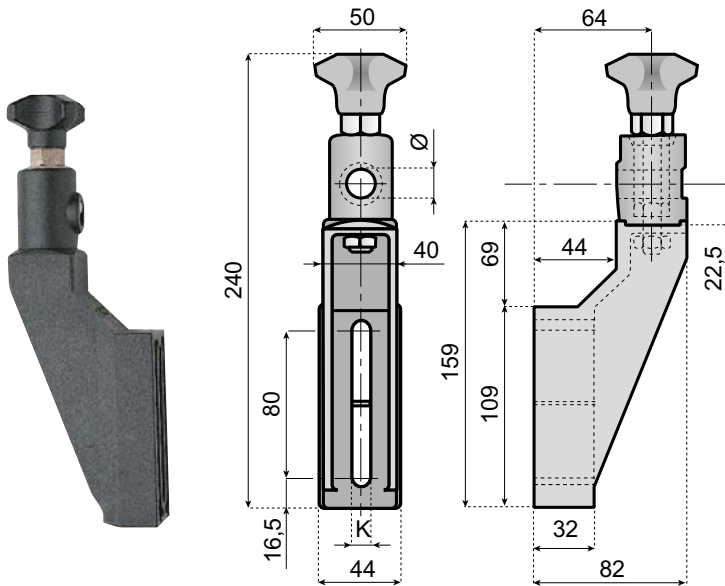
5 3 5 3 5 a

Chains & sprockets	Wear strips	Side guide brackets & accessories	Levelers	Engineering manual
Modular belts & sprockets	Chain & belt return systems	Frame & structure supports	Bearing supports	
Curves & tracks	Side guide solutions	Miscellaneous products	Equipment	

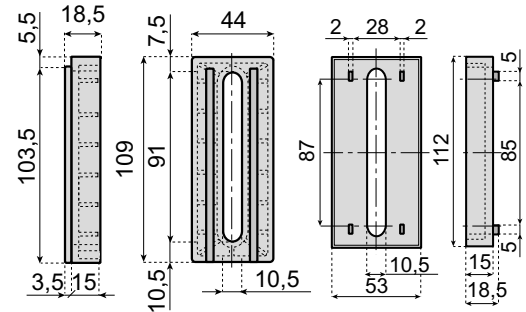
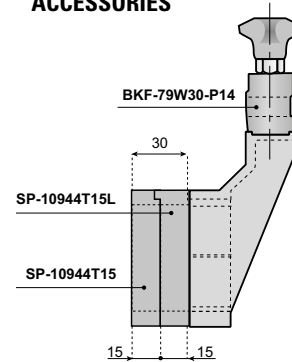
5 3 5 4 5 a

SIDE GUIDE BRACKETS - SWIVEL TOP

www.SystemPlastSmartGuide.com



ACCESSORIES

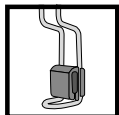


SP-10944T15

SP-11253T15

		PLASTIC		
		Ø 12	Ø 14	Ø 16
PLASTIC		ITEM DESCRIPTION		
	Slot K 8,5	BKR-69W44P-85P12	BKR-69W44P-85P14	BKR-69W44P-85P16
	Slot K 10,5	BKR-69W44P-105P12	BKR-69W44P-105P14	BKR-69W44P-105P16
STAINLESS STEEL AISI 304		ITEM DESCRIPTION		
	Slot K 8,5	BKR-69W44S-85P12	BKR-69W44S-85P14	BKR-69W44S-85P16
	Slot K 10,5	BKR-69W44S-105P12	BKR-69W44S-105P14	BKR-69W44S-105P16

TYPE	MATERIAL	ITEM DESCRIPTION	
Without lip	PA-FG	SP-10944T15	50
With lip		SP-11253T15	50



Suitable for drip tray brackets go to:

5 3 6 0 0 a



For other type of brackets, go to:

5 3 5 4 5 b

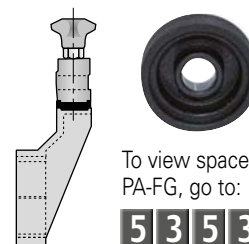


Information about this product is only available on our Smart Guide® website.

ADJUSTABLE BRACKET

Material: bracket and adjustable head in reinforced polyamide; eyebolt, nut, screws and washer in stainless steel AISI 304; knob in polyamide PA-FG with nickel plated brass insert.

Note: screw regulates rod position and head adjustability. Max recommended tightening torque 4 Kgm.



To view spacer for adjustable heads in PA-FG, go to:

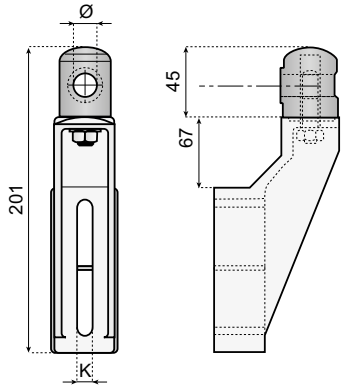
5 3 5 3 5 a

Chains & sprockets	Wear strips	Side guide brackets & accessories	Levelers	Engineering manual
Modular belts & sprockets	Chain & belt return systems	Frame & structure supports	Bearing supports	
Curves & tracks	Side guide solutions	Miscellaneous products	Equipment	

5 3 5 4 5 b

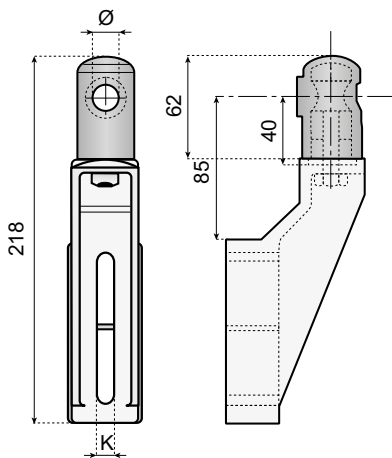
SIDE GUIDE BRACKETS - SWIVEL TOP

www.SystemPlastSmartGuide.com



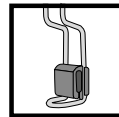
VERSION WITH CLOSED TOP

SLOT K	Ø 12	Ø 14	Ø 16	 50
	ITEM DESCRIPTION			
8,5	BKR-67W44P-85P12B	BKR-67W44P-85P14B	BKR-67W44P-85P16B	50
10,5	BKR-67W44P-105P12B	BKR-67W44P-105P14B	BKR-67W44P-105P16B	



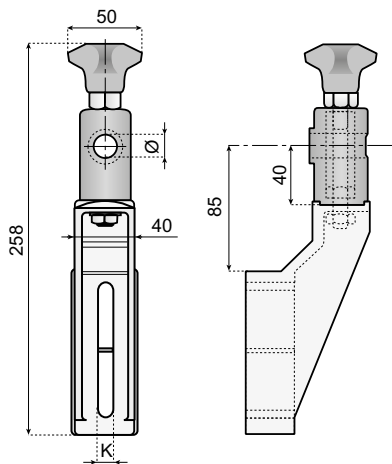
VERSION WITH CLOSED TOP (HIGH)

SLOT K	Ø 12	 50
	ITEM DESCRIPTION	
8,5	BKR-85W44P-85P12B	50
10,5	BKR-85W44P-105P12B	



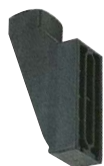
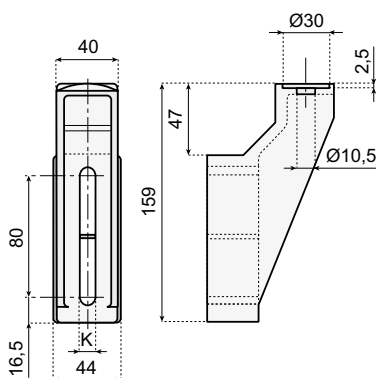
Suitable for drip tray brackets; go to:

5 3 6 0 0 a



VERSION WITH HIGH TOP

SLOT K	Ø 12	Ø 14	Ø 16	 50
	ITEM DESCRIPTION			
8,5	BKR-85W44P-85P12	BKR-85W44P-85P14	BKR-85W44P-85P16	50
10,5	BKR-85W44P-105P12	BKR-85W44P-105P14	BKR-85W44P-105P16	

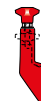


VERSION WITHOUT TOP

MATERIAL	SLOT K	ITEM DESCRIPTION	 50
PA-FG	8,5	BK-47W44-85	50
	10,5	BK-47W44-105	



Information about this product is only available on our Smart Guide® website.



For other type of brackets, go to:

5 3 5 4 5 a



For spacer for brackets, go to:

5 3 5 4 5 a

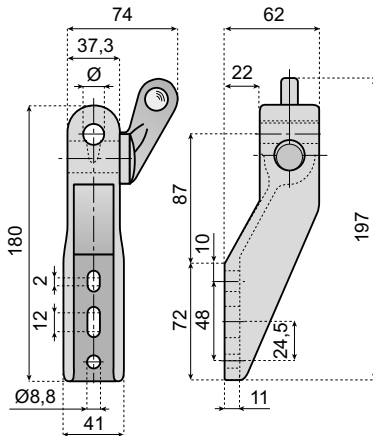
Chains & sprockets	Wear strips	Side guide brackets & accessories	Levelers	Engineering manual
Modular belts & sprockets	Chain & belt return systems	Frame & structure supports	Bearing supports	
Curves & tracks	Side guide solutions	Miscellaneous products	Equipment	



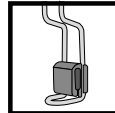
5 3 5 5 5 a

SIDE GUIDE BRACKETS-FIXED OTHER VERSIONS

www.SystemPlastSmartGuide.com

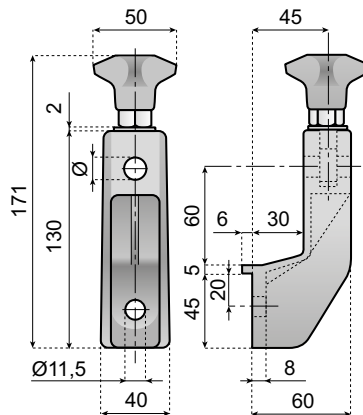


MATERIAL	Ø 12	Ø 14	
	ITEM DESCRIPTION		
PA-FG	BKE-85W22-P12	BKE-85W22-P14	50

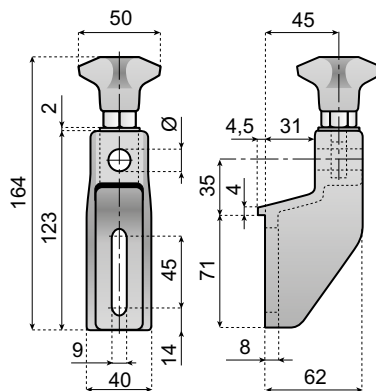


Suitable for drip tray brackets go to:

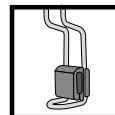
5 3 6 0 0 a



MATERIAL	Ø 12	
	ITEM DESCRIPTION	
PA-FG	BKF-65W30L-P12	50

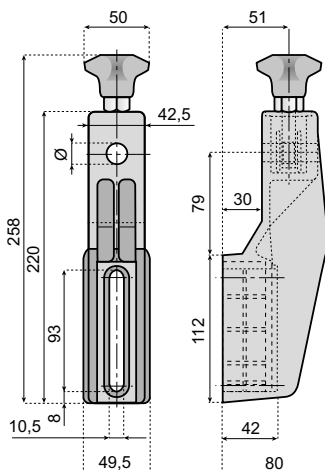


MATERIAL	Ø 12	Ø 14	
	ITEM DESCRIPTION		
PA-FG	BKF-35W31L-P12	BKF-35W31L-P14	50



Suitable for drip tray brackets go to:

5 3 6 0 0 a



Material: bracket in reinforced polyamide; eyebolt, and washer in stainless steel AISI 304; knob in polyamide with nickel plated brass insert.

Note: max recommended tightening torque 4 Kgm.

MATERIAL	Ø 12	Ø 16
	ITEM DESCRIPTION	
PA-FG	BKF-79W30-P12	BKF-79W30-P16



For spacer for brackets, go to:

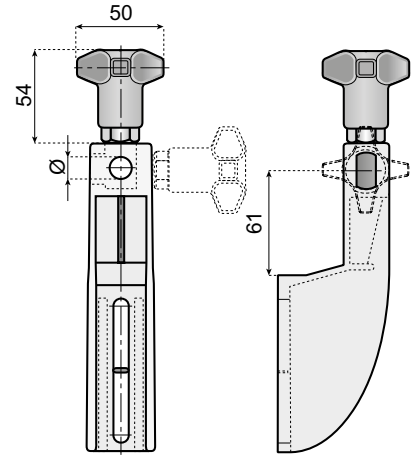
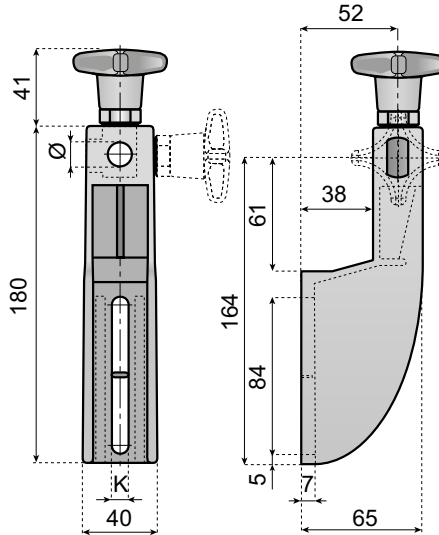
5 3 5 4 5 a

Chains & sprockets	Wear strips	Side guide brackets & accessories	Levelers	Engineering manual
Modular belts & sprockets	Chain & belt return systems	Frame & structure supports	Bearing supports	
Curves & tracks	Side guide solutions	Miscellaneous products	Equipment	

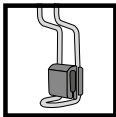
5 3 5 6 0 a

SIDE GUIDE BRACKETS - FIXED TOP

www.SystemPlastSmartGuide.com



WITH HIGH KNOB

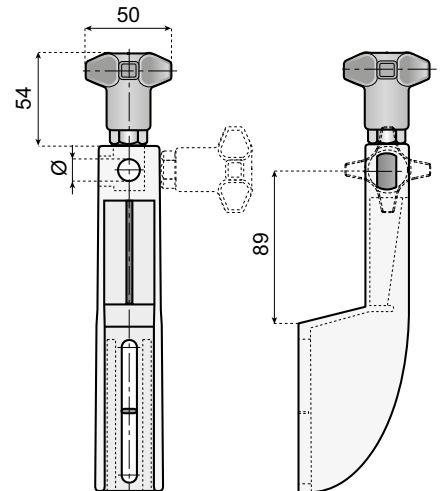
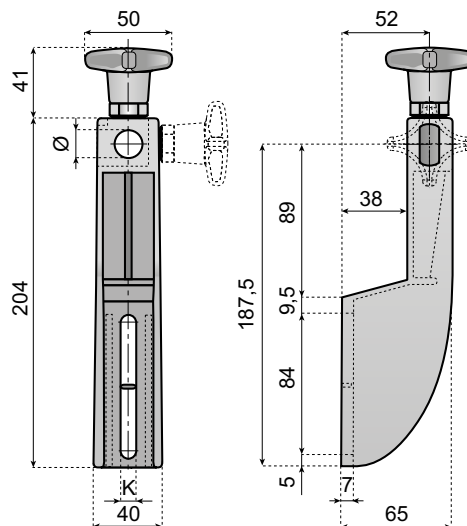


Suitable for drip tray brackets go to:

5 3 6 0 0 a

SLOT K	Ø 12	
	ITEM DESCRIPTION	
9	BKF-61W38-90P12	50
10,5	BKF-61W38-105P12	

SLOT K	Ø 12	
	ITEM DESCRIPTION	
9	BKF-61W38-90P12H	50
10,5	BKF-61W38-105P12H	

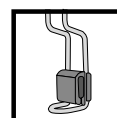


BRACKET WITH EYEBOLT AND KNOB

Material: reinforced polyamide, eyebolt and washer in stainless steel AISI 304, knob in polyamide with nickel plated brass insert.

Note: max recommended tightening torque 4 Kgm.

SLOT K	Ø 12	
	ITEM DESCRIPTION	
9	BKF-89W38-90P12	50
10,5	BKF-89W38-105P12	



Suitable for drip tray brackets go to:

5 3 6 0 0 a

WITH HIGH KNOB

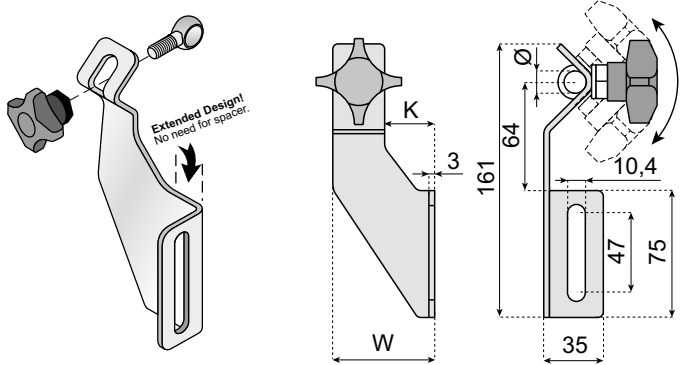
SLOT K	Ø 12	
	ITEM DESCRIPTION	
9	BKF-89W38-90P12H	50
10,5	BKF-89W38-105P12H	

Chains & sprockets	Wear strips	Side guide brackets & accessories	Levelers	Engineering manual
Modular belts & sprockets	Chain & belt return systems	Frame & structure supports	Bearing supports	
Curves & tracks	Side guide solutions	Miscellaneous products	Equipment	

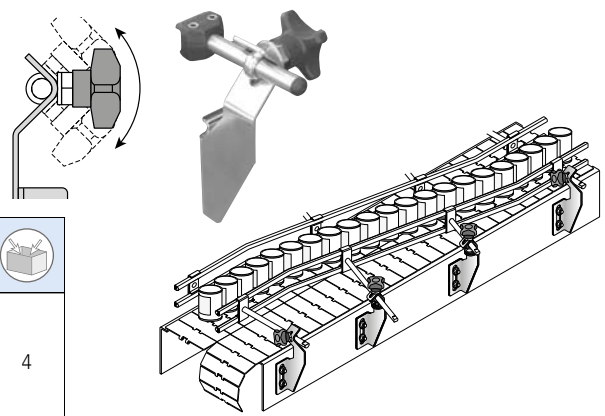
5 3 5 6 5 a

SIDE GUIDE BRACKETS - STAINLESS STEEL

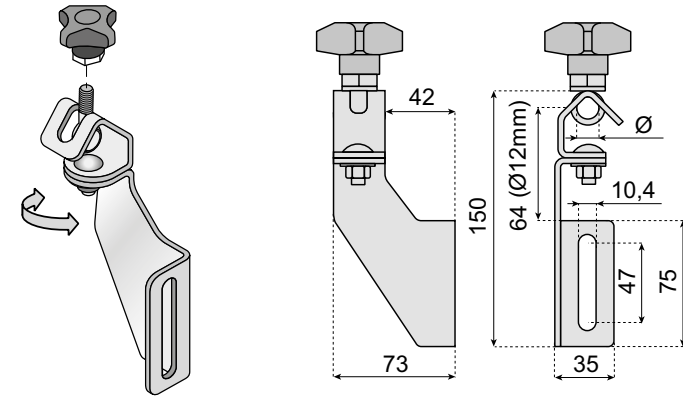
www.SystemPlastSmartGuide.com



* Suitable with Speedset™ adjustment:
5 3 5 9 5 a



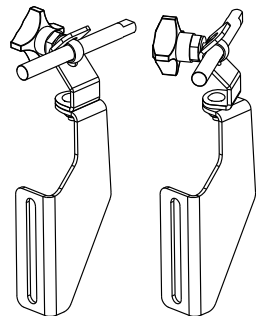
W	K	Ø 12-13	Ø 14	Ø 16	Ø 20	
ITEM DESCRIPTION						
60	29	VG-213-12-01	VG-213-14-01	VG-213-58-01	* VG-213-20-01	4
77,5	48	VG-213-12-02	VG-213-14-02	VG-213-58-02	* VG-213-20-02	



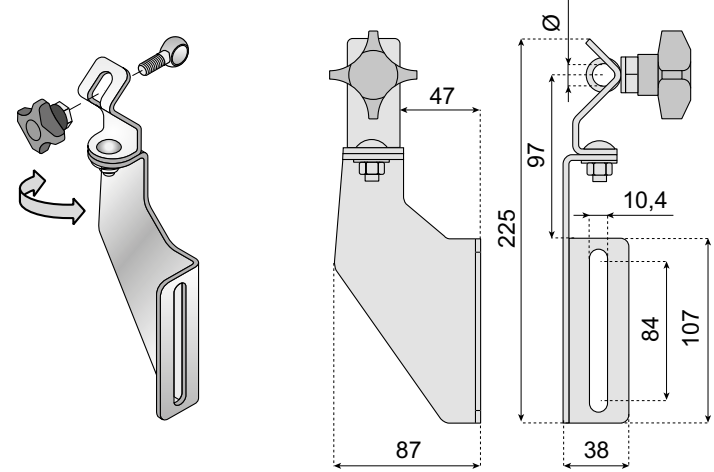
VALU GUIDE® STAINLESS STEEL GUIDE RAIL BRACKETS

Material: body in stainless steel, eyebolt and washer in stainless steel AISI 304, knob in reinforced polyamide with nickel plated brass insert.

Note: Versatile, sanitary design, high temperature or corrosive environments, tall or short, fixed or swivel.



Ø 12-13	Ø 14	Ø 16	Ø 20	
ITEM DESCRIPTION				
VG-213R-12-01	VG-213R-14-01	VG-213R-58-01	* VG-213R-20-01	4



Ø 12-13	Ø 14	Ø 16	Ø 20	
ITEM DESCRIPTION				
VG-223R-12-01	VG-223R-14-01	VG-223R-58-01	* VG-223R-20-01	4

Chains & sprockets	Wear strips	Side guide brackets & accessories	Levelers	Engineering manual
Modular belts & sprockets	Chain & belt return systems	Frame & structure supports	Bearing supports	
Curves & tracks	Side guide solutions	Miscellaneous products	Equipment	

5 3 5 7 0 a

LATERAL BRACKETS - STAINLESS STEEL

www.SystemPlastSmartGuide.com

For plastic version, go to:

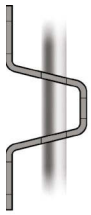
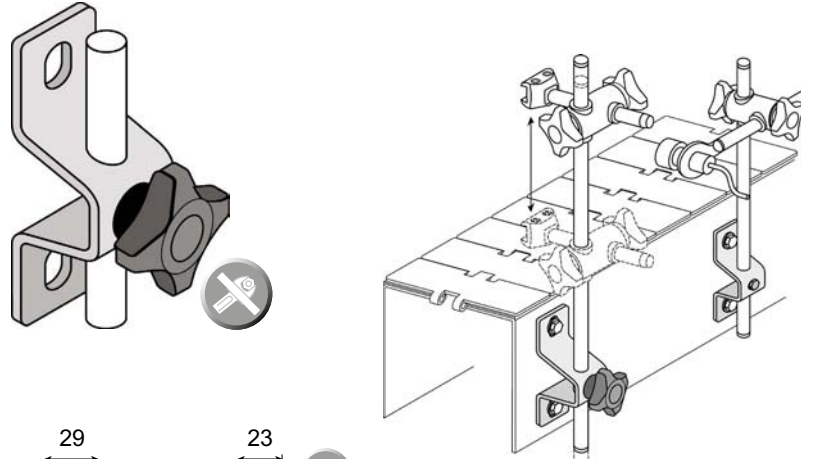
5 3 6 2 5 a



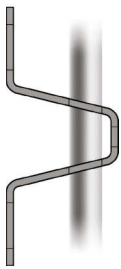
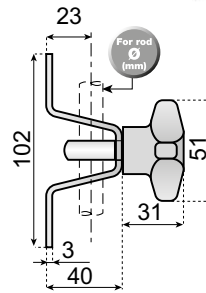
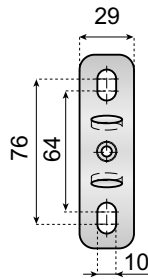
STAINLESS STEEL GUIDE RAIL BRACKETS

Material type A: body in stainless steel, insert in nickel plated brass, screw in stainless steel.

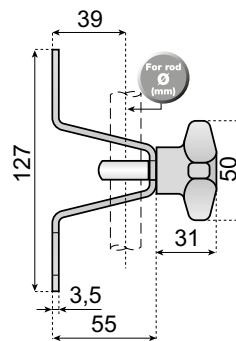
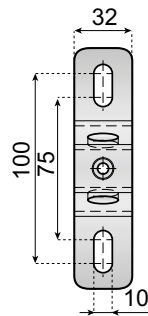
Material type B: body in stainless steel, eyebolt and washer in stainless steel, knob in reinforced polyamide with nickel plated brass insert.



Ø 12-13		
ITEM DESCRIPTION		
VG-254K-S-12		10



Ø 12-13	Ø 16	
ITEM DESCRIPTION		
VG-253K-S-12	VG-253K-S-58	10



Chains & sprockets	Wear strips	Side guide brackets & accessories	Levelers	Engineering manual
Modular belts & sprockets	Chain & belt return systems	Frame & structure supports	Bearing supports	
Curves & tracks	Side guide solutions	Miscellaneous products	Equipment	

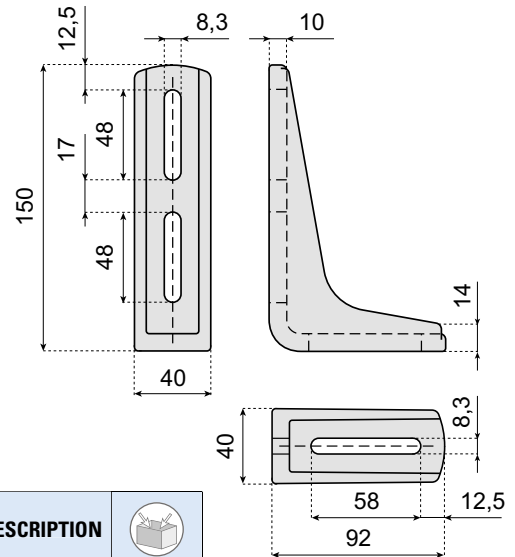
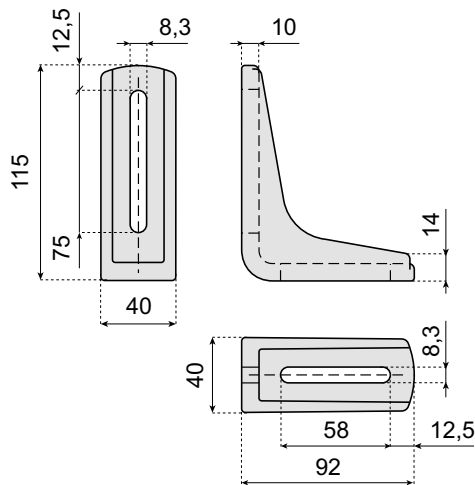
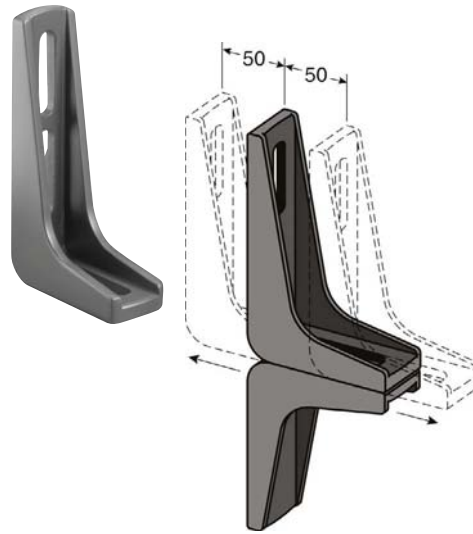
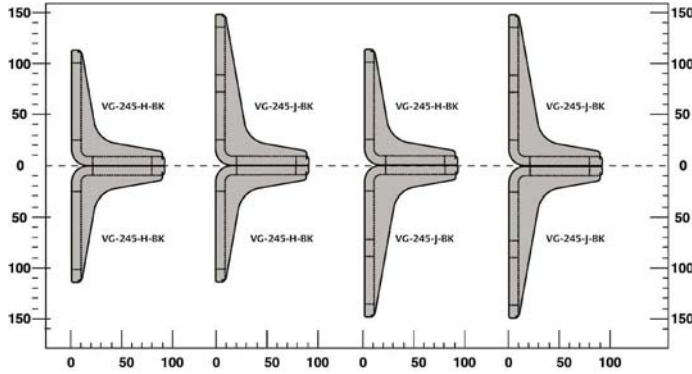
5 3 5 7 5 a

ANGLE BRACKETS - THERMOPLASTIC

www.SystemPlastSmartGuide.com

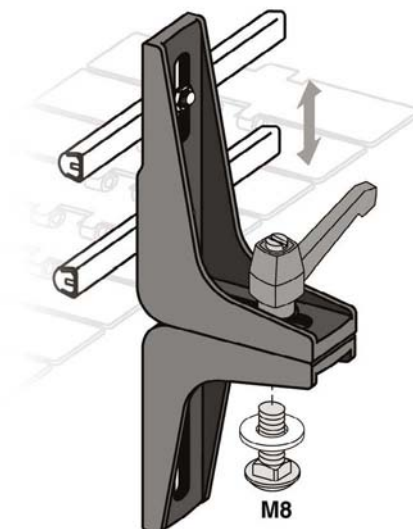


POLYAMIDE BRACKETS



ITEM DESCRIPTION	
VG-245-H-BK	10

ITEM DESCRIPTION	
VG-245-J-BK	10

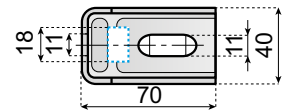
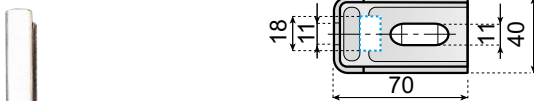
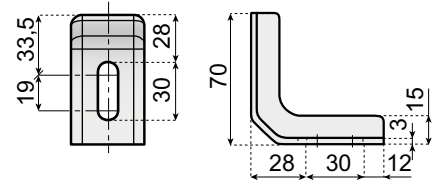
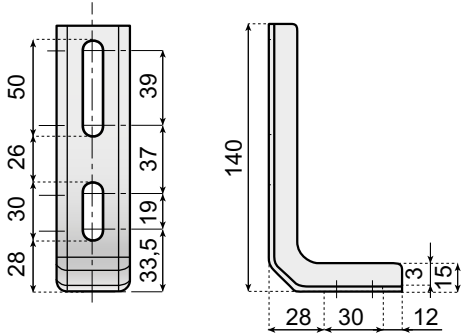
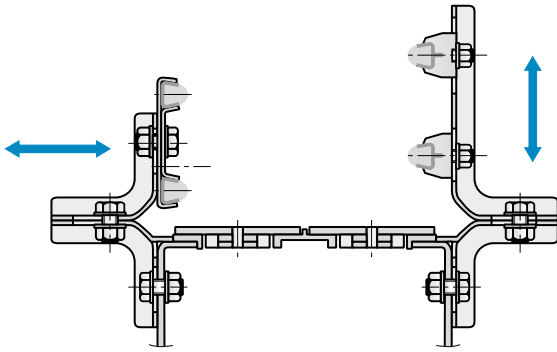


Chains & sprockets	Wear strips	Side guide brackets & accessories	Levelers	Engineering manual
Modular belts & sprockets	Chain & belt return systems	Frame & structure supports	Bearing supports	
Curves & tracks	Side guide solutions	Miscellaneous products	Equipment	

5 3 5 8 0 a

ANGLE BRACKETS - STAINLESS STEEL

www.SystemPlastSmartGuide.com

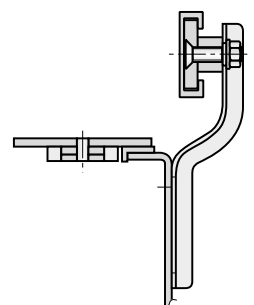
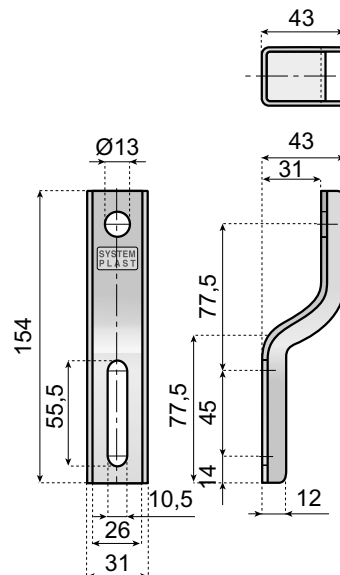


	MATERIAL	ITEM DESCRIPTION	
WITHOUT LIP	STAINLESS STEEL AISI 304	BKL-140L70-SS	50

	MATERIAL	ITEM DESCRIPTION	
WITHOUT LIP	STAINLESS STEEL AISI 304	BKL-70L70-SS	50

FIXED BRACKET

Thickness: S = 2.5 mm.
Surface: tumbling finish.
Use: support for side guides.



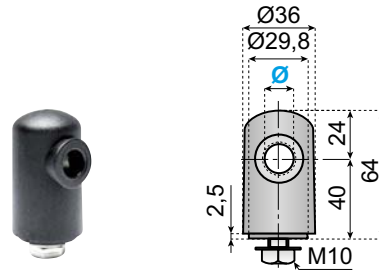
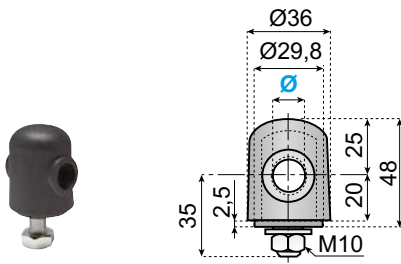
	MATERIAL	ITEM DESCRIPTION	
WITHOUT LIP	STAINLESS STEEL AISI 304	BKZ-154-SS	50

Chains & sprockets	Wear strips	Side guide brackets & accessories	Levelers	Engineering manual
Modular belts & sprockets	Chain & belt return systems	Frame & structure supports	Bearing supports	
Curves & tracks	Side guide solutions	Miscellaneous products	Equipment	

5 3 5 8 5 a

MOUNTING TOP

www.SystemPlastSmartGuide.com

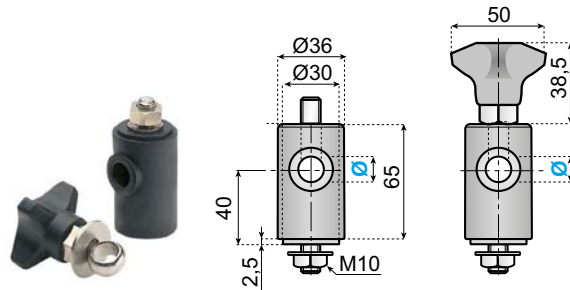
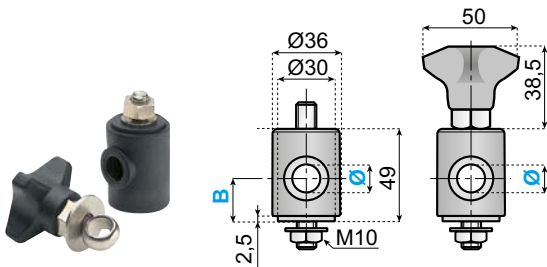


Material: reinforced polyamide; eyebolt, nut and washer in stainless steel AISI 304.

Material: head in reinforced polyamide, insert in nickel plated brass, screw and washer in stainless steel AISI 304.

Ø 12	Ø 14	Ø 16	ITEM DESCRIPTION	
TOP-20P-P12B	TOP-20P-P14B	TOP-20P-P16B		

Ø 12	ITEM DESCRIPTION	
TOP-40P-P12BB		

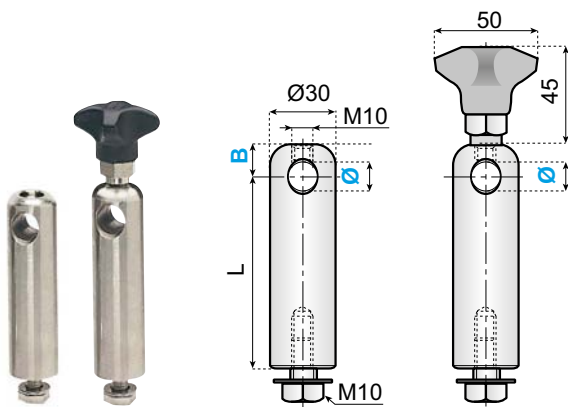
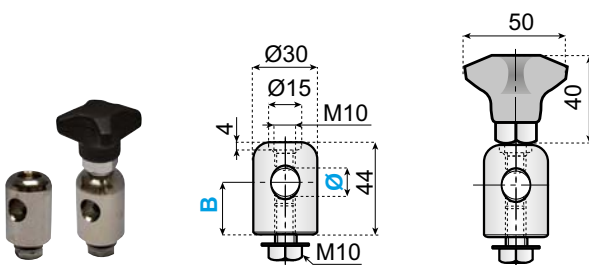


Material: reinforced polyamide, eyebolt, screw, nut, washer in stainless steel AISI 304, nut and hexagonal bushing in nickel plated brass.

Material: reinforced polyamide, eyebolt, screw, nut, washer in stainless steel AISI 304, nut and hexagonal bushing in nickel plated brass.

Ø	B	VERSION WITHOUT KNOB	VERSION WITH KNOB	ITEM DESCRIPTION	
		12	23		
14	23	TOP-23P-P14T	TOP-23P-P14K		
16	23	TOP-23P-P16T	TOP-23P-P16K		
20	24	TOP-24P-P20T	TOP-24P-P20K		

Ø	VERSION WITHOUT KNOB	VERSION WITH KNOB	ITEM DESCRIPTION	
	12	TOP-40P-P12T		
14	TOP-40P-P14T	TOP-40P-P14K		
16	TOP-40P-P16T	TOP-40P-P16K		

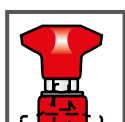


Material: screws and heads in stainless steel AISI 304.

Material: screws and heads in stainless steel AISI 304.

Ø	B	VERSION WITHOUT KNOB	VERSION WITH KNOB	ITEM DESCRIPTION	
		12	25		
14	24	TOP-24S-P14T	TOP-24S-P14K		
16	23	TOP-23S-P16T	TOP-23S-P16K		

Ø	L	B	VERSION WITHOUT KNOB	VERSION WITH KNOB	ITEM DESCRIPTION	
			12	40		
TOP-60S-P12T	TOP-60S-P12K					
TOP-90S-P12T	TOP-90S-P12K					
14	60	16	TOP-60S-P14T	TOP-60S-P14K		
			TOP-90S-P14T	TOP-90S-P14K		
16	40	17	TOP-40S-P16T	TOP-40S-P16K		
			TOP-60S-P16T	TOP-60S-P16K		
			TOP-90S-P16T	TOP-90S-P16K		



For other type of mounting block, go to:

5 3 5 9 0 a

Chains & sprockets	Wear strips	Side guide brackets & accessories	Levelers	Engineering manual
Modular belts & sprockets	Chain & belt return systems	Frame & structure supports	Bearing supports	
Curves & tracks	Side guide solutions	Miscellaneous products	Equipment	

53590a

ROD MOUNTS

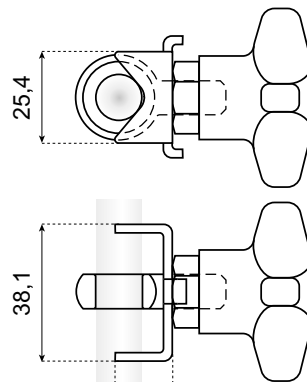
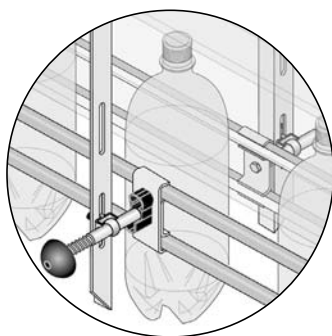
www.SystemPlastSmartGuide.com



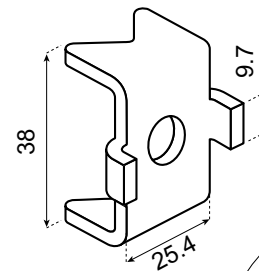
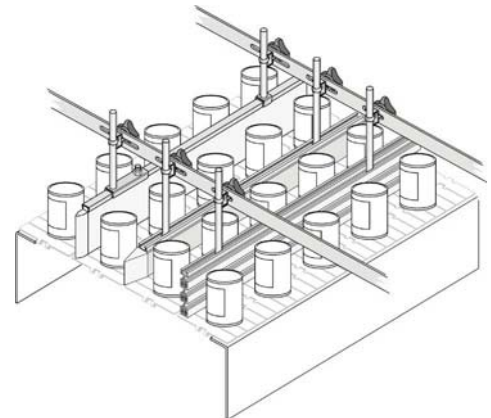
VALU GUIDE® ROD MOUNTS

New Valu Guide Rod Mounts, used for holding and positioning adjusting rods. These strong, yet economical mounts are available in a selection of rod diameter sizes, fixed or rotating configurations, and various tightening methods.

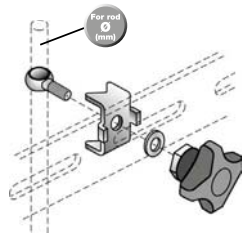
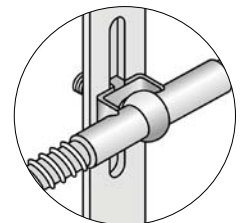
Material: rod mounts in stainless steel, eyebolt and washer and nuts in stainless steelknob in polyamide with nickel plated brass insert.



16 mm (12 – 13 mm rod)
17,5 mm (14 mm rod)
19 mm (16 mm rod)
22 mm (20 mm rod)

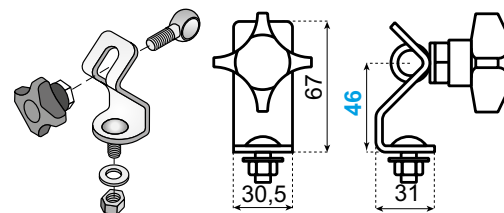
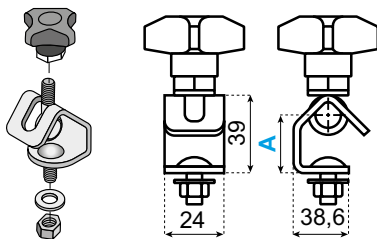
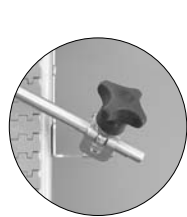


Positioning tabs lock the rod to brackets slots at 90°.



WITH KNOB

Ø 12-13	Ø 14	Ø 16	Ø 20	
ITEM DESCRIPTION				
VG-641T-K-12	VG-641T-K-14	VG-641T-K-58	VG-641T-K-20	8

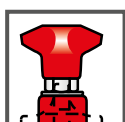


FOR ROD DIAMETER				
Ø 12-13	Ø 14	Ø 16	Ø 20*	
A = 29	A = 27,5	A = 26	A = 24	
ITEM DESCRIPTION				
VG-213R-TOP-12	VG-213R-TOP-14	VG-213R-TOP-58	VG-213R-TOP-20	8

FOR ROD DIAMETER				
Ø 12-13	Ø 14	Ø 16	Ø 20*	
A = 46				
ITEM DESCRIPTION				
VG-223R-TOP-12	VG-223R-TOP-14	VG-223R-TOP-58	VG-223R-TOP-20	8

* Ø20 versions can be converted to SpeedSet™ brackets

* Ø20 versions can be converted to SpeedSet™ brackets



For other type of mounting block, go to:

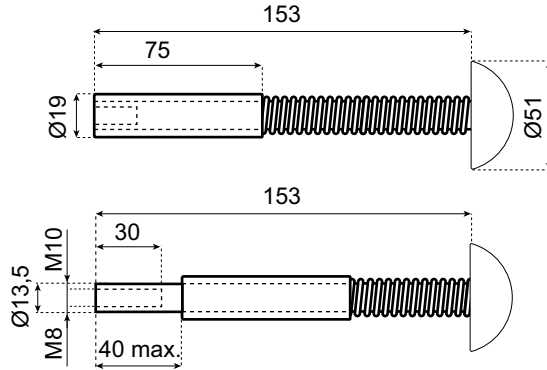
53585a

Chains & sprockets	Wear strips	Side guide brackets & accessories	Levelers	Engineering manual
Modular belts & sprockets	Chain & belt return systems	Frame & structure supports	Bearing supports	
Curves & tracks	Side guide solutions	Miscellaneous products	Equipment	

5 3 5 9 5 a

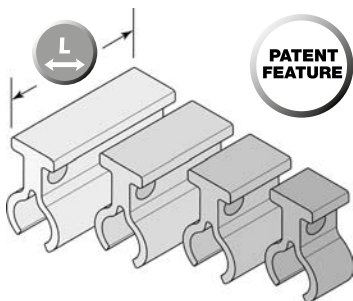
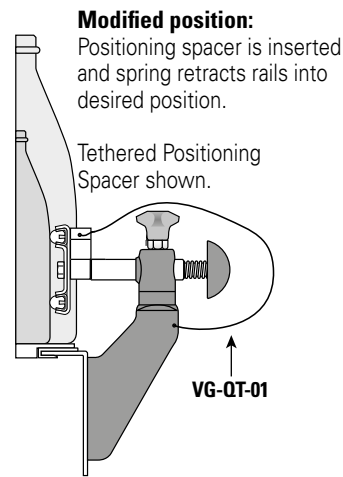
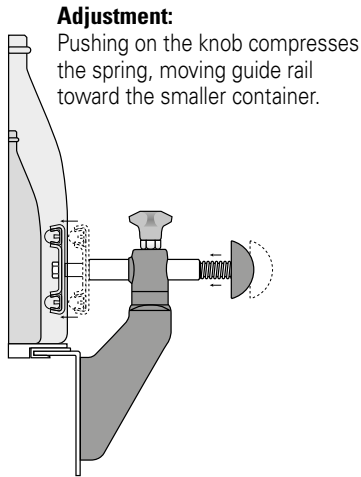
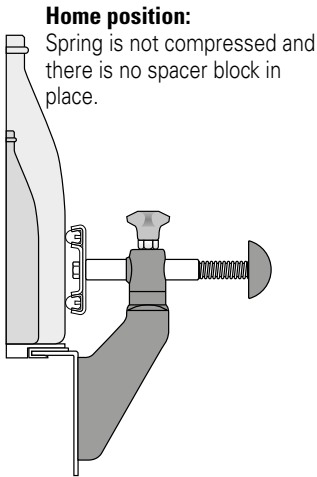
SPEEDSET™ - GUIDE RAIL ADJUSTMENT

www.SystemPlastSmartGuide.com



Speedset™ Adjustment units

ITEM DESCRIPTION	TRAVEL	
VG-Q-75-40-M8	0-40 mm	M8
VG-Q-75-40-M10		M10

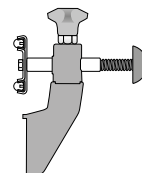


Can be connected to the bracket or the machine with the VG-QT-01 tether.

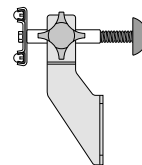
Clip-on spacers for SPEEDSET™

ITEM DESCRIPTION			
VG-QSC-10M	10 mm	Red	10
VG-QSC-12M	12 mm	Blue	
VG-QSC-16M	16 mm	Black	
VG-QSC-20M	20 mm	Green	
VG-QSC-25M	25 mm	Purple	
VG-QSC-30M	30 mm	Orange	
VG-QSC-40M	40 mm	Grey	
VG-QT-01	225 mm		

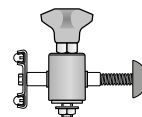
Various brackets are available for Speedset™ adjustment systems. Go to:



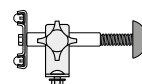
5 3 5 2 5 a
5 3 5 3 5 a



5 3 5 6 5 a



5 3 5 8 5 a



5 3 5 9 0 a

Chains & sprockets	Wear strips	Side guide brackets & accessories	Levelers	Engineering manual
Modular belts & sprockets	Chain & belt return systems	Frame & structure supports	Bearing supports	
Curves & tracks	Side guide solutions	Miscellaneous products	Equipment	

53600a

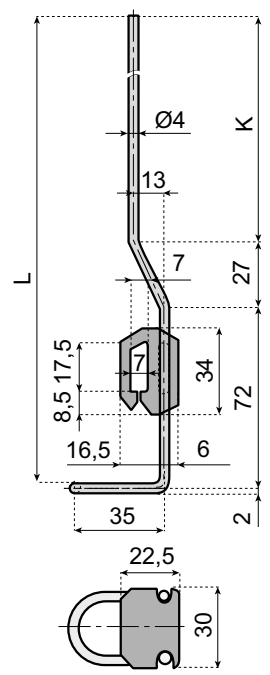
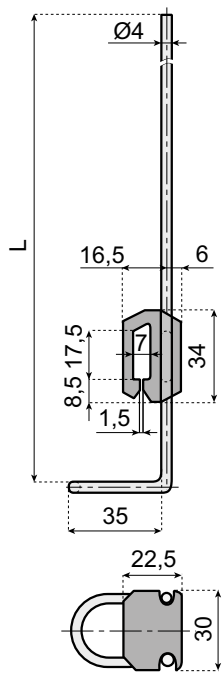
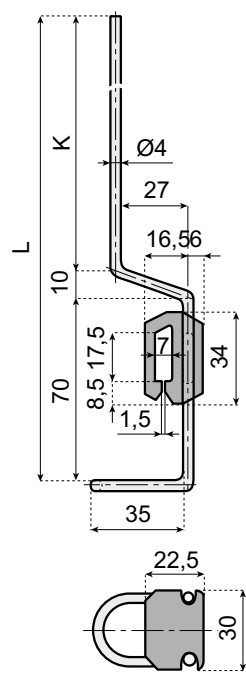
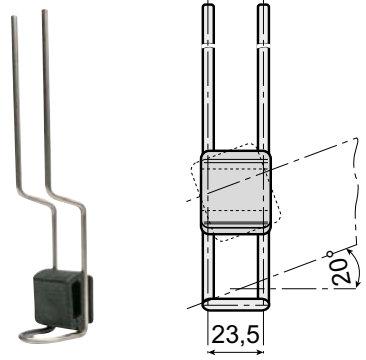
DRIP TRAY BRACKETS

www.SystemPlastSmartGuide.com



DRIP TRAY SUPPORTS

Material: metal support in stainless steel AISI 304, clamp in polyamide.
Accessories: fixing washer code 13252



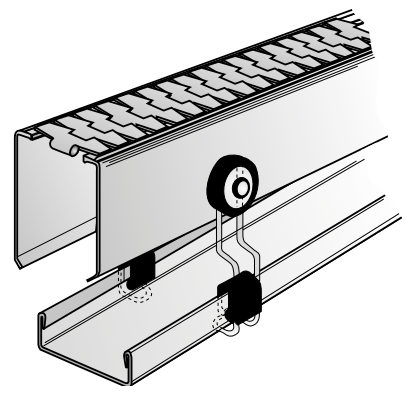
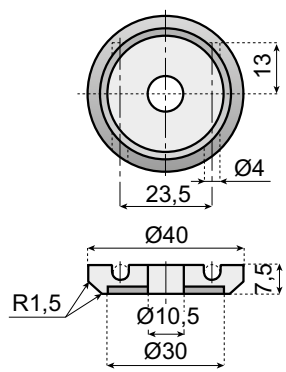
K mm	L mm	ITEM DESCRIPTION	
100	180	DTS-27H180	50
170	250	DTS-27H250	
200	280	DTS-27H280	

L mm	ITEM DESCRIPTION	
246	DTS-00H246	50
396	DTS-00H396	

K mm	L mm	ITEM DESCRIPTION	
83	180	DTS-13H180	50
153	250	DTS-13H250	

FIXING WASHER

Material: polyamide, washer in stainless steel AISI 304.



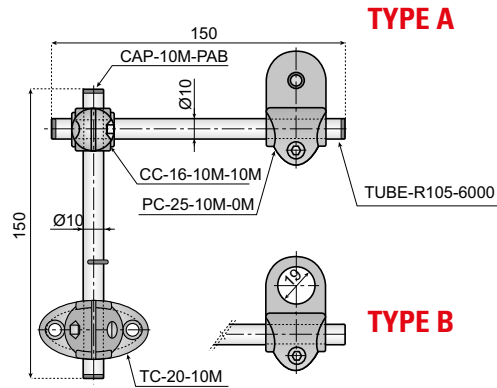
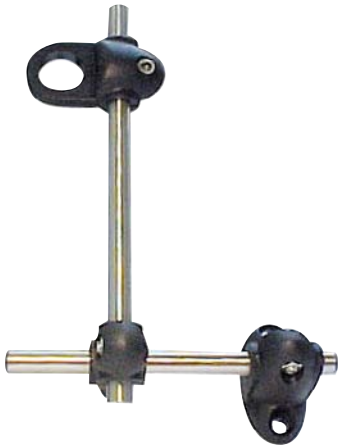
ITEM DESCRIPTION	
DTS-R40	50

Chains & sprockets	Wear strips	Side guide brackets & accessories	Levelers	Engineering manual
Modular belts & sprockets	Chain & belt return systems	Frame & structure supports	Bearing supports	
Curves & tracks	Side guide solutions	Miscellaneous products	Equipment	

53605a

PHOTOCELL CLAMP ASSEMBLY

www.SystemPlastSmartGuide.com



TYPE A

TYPE B

ITEM DESCRIPTION KIT TYPE A	
PC-KIT-0M	25*

ITEM DESCRIPTION KIT TYPE B	
PC-KIT-19M	25*

Material: clamps in reinforced polyamide, tightening bolt and connecting tubes in stainless steel AISI 304, closing caps in polyethylene.

Components: nr° 1 T-Clamp, nr° 1 clamp, nr° 1 cross block, nr° 2 connecting tubes, nr° 4 closing caps.

Supply: unassembled.

***Packaging:** 25 completely kit.

LOOSE TUBE



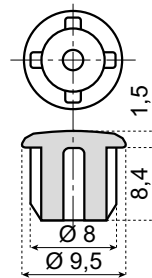
TUBE:

- external d. 10 mm
- thickness 1 mm
- length 6 m

Material: Stainless Steel AISI 304

ITEM DESCRIPTION	
TUBE-R105-6000	50

CAP



Material: PA-FG black

ITEM DESCRIPTION	
CAP-10M-PAB	50

Chains & sprockets	Wear strips	Side guide brackets & accessories	Levelers	Engineering manual
Modular belts & sprockets	Chain & belt return systems	Frame & structure supports	Bearing supports	
Curves & tracks	Side guide solutions	Miscellaneous products	Equipment	

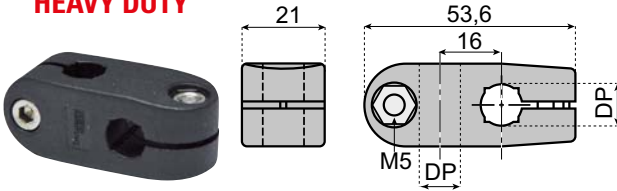
5 3 6 1 0 a

CROSS BLOCKS

www.SystemPlastSmartGuide.com

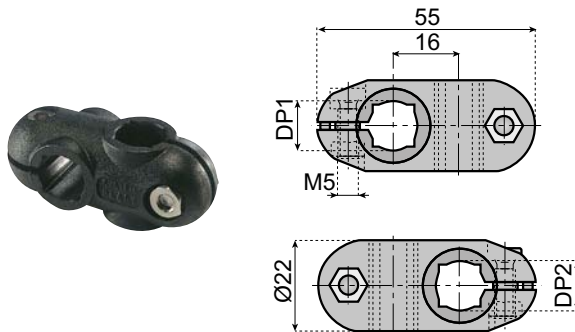


HEAVY DUTY



Material: Acetal resin with stainless steel fasteners.

DP	ITEM DESCRIPTION	
●10/■8	VG-619-10M	10
●12/■10	VG-619-12M	
●14/■12	VG-619-14M	

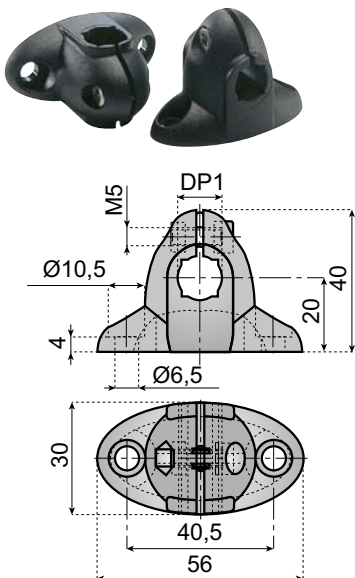


Material: Reinforced poliamyde with stainless steel fasteners.

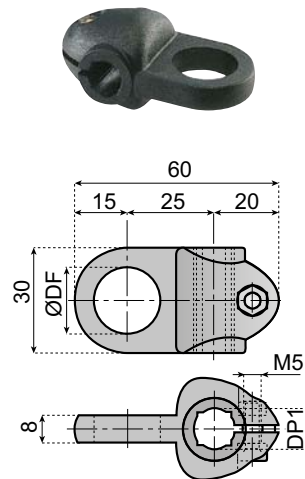
DP 2	DP 1			
	●10/■8	●12/■10	●14/■12	
ITEM DESCRIPTION				
●10/■8	CC-16-10M-10M	-	-	50
●12/■10	CC-16-10M-12M	CC-16-12M-12M	-	
●14/■12	CC-16-10M-14M	CC-16-12M-14M	CC-16-14M-14M	

PHOTOCELL CLAMP

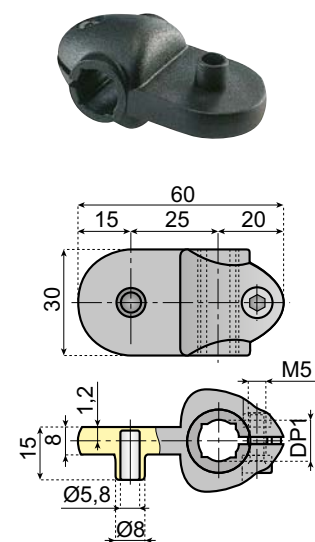
TYPE A T-CLAMP



TYPE B



TYPE C REFLECTOR CLAMP



ITEM DESCRIPTION	TYPE	DP 1		Ø DF	
		●	■		
TC-20-10M	A	10	8	-	50
TC-20-12M		12	10	-	
TC-20-14M		14	12	-	

Features: used to hold reflectors using a cap screw and nut or pression clip.

Material: reinforced polyamide with stainless steel fasteners.

Supply: assembled.

ITEM DESCRIPTION	TYPE	DP 1			Ø DF	
		●	■	Ø DF		
PC-25-10M-8M	B	10	8	8	50	
PC-25-10M-12M		10	8	12		
PC-25-10M-19M		10	8	19		
PC-25-12M-8M		12	10	8		
PC-25-12M-12M		12	10	12		
PC-25-12M-19M		12	10	19		
PC-25-14M-12M		14	12	12		
PC-25-14M-19M		14	12	19		

ITEM DESCRIPTION	TYPE	DP 1		
		●	■	
PC-25-10M-0M	C	10	8	50
PC-25-12M-0M		12	10	
PC-25-14M-0M		14	12	



For other type of cross block go to:

5 3 6 1 5 a
5 3 6 2 0 a

Chains & sprockets	Wear strips	Side guide brackets & accessories	Levelers	Engineering manual
Modular belts & sprockets	Chain & belt return systems	Frame & structure supports	Bearing supports	
Curves & tracks	Side guide solutions	Miscellaneous products	Equipment	

5 3 6 1 5 a

STANDARD CROSS BLOCKS

www.SystemPlastSmartGuide.com

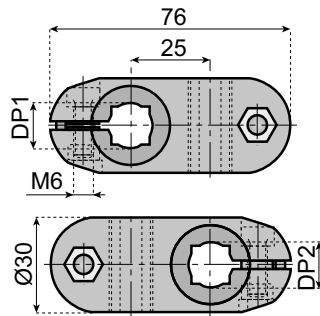


Features: cross blocks, in a variety of bore configurations, including square bore combinations, are manufactured from reinforced polyamide.

Use: connects two round or square rods at 90°.

Material: reinforced polyamide with stainless steel fasteners.

Supply: assembled.



For other type of cross block, go to:

5 3 6 1 0 a
5 3 6 2 0 a

DP 2	DP 1						
	●12/ ■10	●14/ ■12	●15	●16/ ■14	●18	●20/ ■16	
ITEM DESCRIPTION							
●12/ ■10	CC-25-12M-12M ^{MOQ}	-	-	-	-	-	50
●14/ ■12	-	CC-25-14M-14M	-	-	-	-	
●15	-	-	CC-25-15M-15M	-	-	-	
●16/ ■14	CC-25-12M-16M ^{MOQ} *	CC-25-14M-16M	CC-25-15M-16M	CC-25-16M-16M	-	-	
●18	-	CC-25-14M-18M	CC-25-15M-18M	CC-25-16M-18M	CC-25-18M-18M	-	
●20/ ■16	-	CC-25-14M-20M	-	CC-25-16M-20M	CC-25-18M-20M	CC-25-20M-20M	

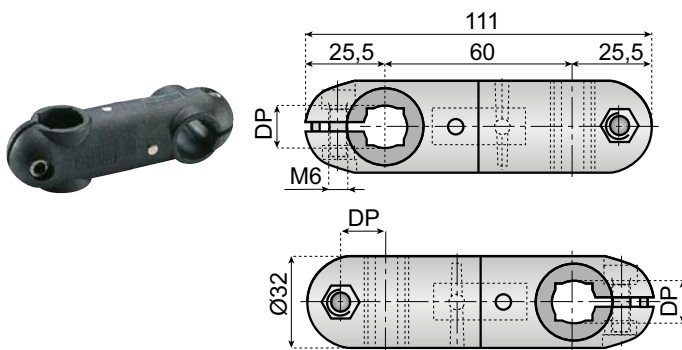
MOQ Min. order quantity: 100 pcs.
* Min. order quantity: 50 pcs.

EXTRA LONG CROSS OR PARALLEL BLOCKS

Features: cross blocks, in a variety of bore configurations, including square bore combinations.

Material: reinforced polyamide with stainless steel bolts. Internal connecting joint and pins in nickel plated brass.

Supply: assembled.



Use: it connects two round or square rods at 90°.

These clamps can also be assembled for 2 parallel rods.



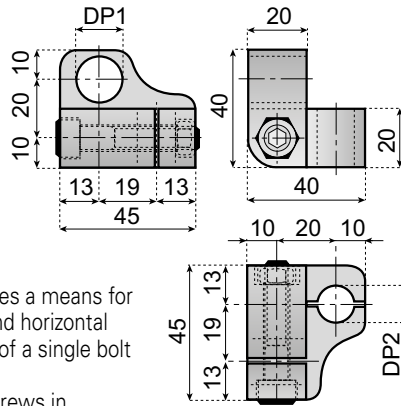
ITEM DESCRIPTION	DP		
	●	■	
VG-60-14M-14M	14	12	100
VG-60-18M-18M	18	-	
VG-60-20M-20M	20	16	

Chains & sprockets	Wear strips	Side guide brackets & accessories	Levelers	Engineering manual
Modular belts & sprockets	Chain & belt return systems	Frame & structure supports	Bearing supports	
Curves & tracks	Side guide solutions	Miscellaneous products	Equipment	

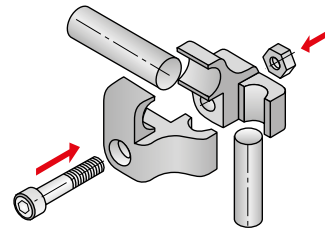
5 3 6 2 0 a

CROSS BLOCKS

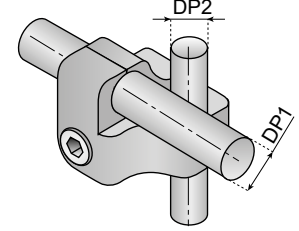
www.SystemPlastSmartGuide.com



Example application



Adjustment with bolts



Feature: the special design provides a means for rapid adjustment of both vertical and horizontal side rail positions with the release of a single bolt or knob.

Material: reinforced polyamide, screws in stainless steel AISI 304.

Supply: assembled.

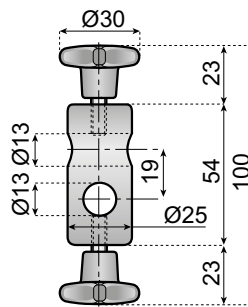
ITEM DESCRIPTION	DP 1	DP 2	
CC-20-12M-12M	12	12	50
CC-20-14M-14M	14	14	



Material: reinforced polyamide, knobs in polyamide with stainless steel insert.

Use: rod Ø 12 mm.

Supply: unassembled.



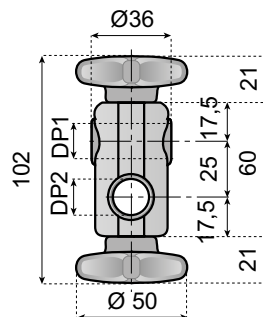
ITEM DESCRIPTION WITH STAR KNOBS	
CC-19-12MK-12MK	100



Material: housing in reinforced polyamide, hardware in stainless steel, knobs in polyamide with bushings in nickel plated brass.

Features: it connects two round rods at 90°. Each side of the cross block can be quickly adjusted by loosening the hand knob.

Supply: assembled.



ITEM DESCRIPTION	DP 1	DP 2	
CC-25-12MK-12MK	12	12	50
CC-25-12MK-14MK	12	14	
CC-25-12MK-16MK	12	16	
CC-25-14MK-14MK	14	14	
CC-25-16MK-16MK	16	16	



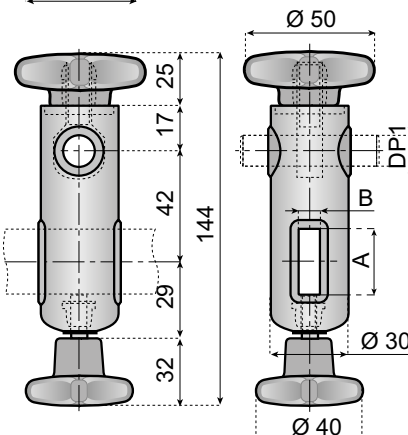
Components:

- Housing in reinforced polyamide.
- Washer and hardware in stainless steel.
- Knobs in reinforced polyamide with one threaded insert in stainless steel and one brass bushing.

Features:

- Connects one round rod with flat bar at 90°.
- Each side of the cross block can be quickly adjusted by loosening the hand knob.

Supply: assembled.



For other type of cross block go to:

5 3 6 1 0 a
5 3 6 1 5 a

ITEM DESCRIPTION	DP 1	FLAT BAR	
CC-42-12MK-825MK	12	25x8	50
CC-42-12MK-625MK	12	25x6	

Chains & sprockets	Wear strips	Side guide brackets & accessories	Levelers	Engineering manual
Modular belts & sprockets	Chain & belt return systems	Frame & structure supports	Bearing supports	
Curves & tracks	Side guide solutions	Miscellaneous products	Equipment	



5 3 6 2 5 a

T-CLAMP

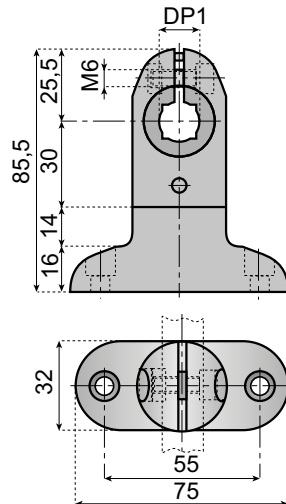
www.SystemPlastSmartGuide.com



Features: mounts to side of equipment to provide support light duty rod type guide rail system.

Material: reinforced polyamide with stainless steel bolts; Internal connecting joints and pins in nickel plated brass.

Supply: assembled.



This clamp can also be assembled with the flange rotated 90°, but it should be specified in the order.

For stainless steel version, go to:

5 3 5 7 0 a

ITEM DESCRIPTION	DP 1		
	●	■	
TC-60-14M	14	12	100
TC-60-18M	18	-	
TC-60-20M	20	16	

BRACKET

TYPE A

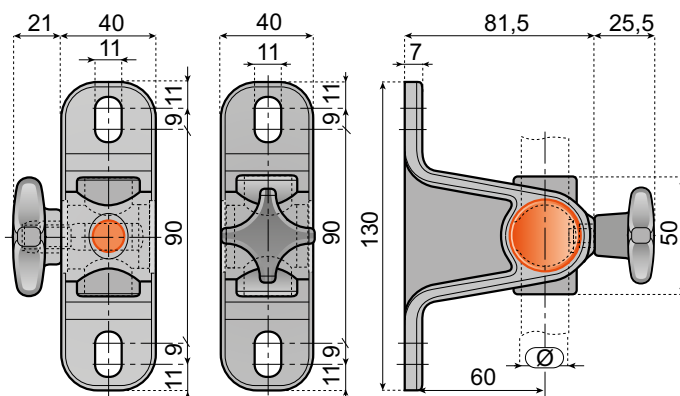


TYPE B



TYPE A

TYPE B



BRACKET WITH HAND KNOB

Material: bracket in reinforced polyamide, eyelet in metal, knob in polyamide with bushing insert in nickel plated brass, washer in stainless steel.

Features: knob fastening provides holding and positioning for many rods. Heavy duty construction for increased strength and rigidity.

Supply: assembled.

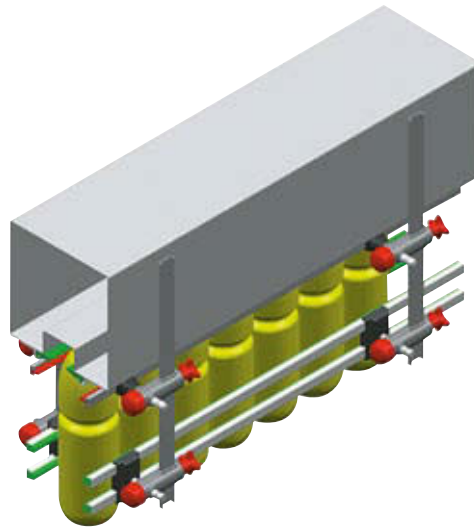
TYPE A	TYPE B	FOR ROD Ø		
		●	■	
ITEM DESCRIPTION				
SMB-60-14MK90	SMB-60-14MK	14	12	50
SMB-60-16MK90	SMB-60-16MK	16	14	
SMB-60-20MK90	SMB-60-20MK	20	16	

Chains & sprockets	Wear strips	Side guide brackets & accessories	Levelers	Engineering manual
Modular belts & sprockets	Chain & belt return systems	Frame & structure supports	Bearing supports	
Curves & tracks	Side guide solutions	Miscellaneous products	Equipment	

5 3 6 3 0 a

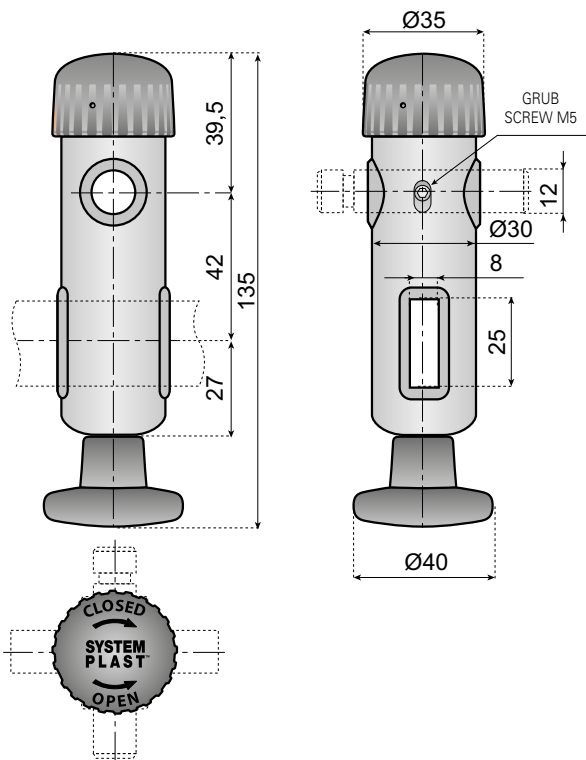
QUICK RELEASE ADJUSTMENT CLAMPS

www.SystemPlastSmartGuide.com



ADVANTAGES:

- Rapid adjustment of guides to accommodate the choice of bottle format.
- Quick and easy maintenance.



ITEM DESCRIPTION	INTERNAL BLOCK	DP 1	FLAT BAR	
CC-42-12MQ-825MK	Nickel Plated Brass	12	25x8	50

Chains & sprockets	Wear strips	Side guide brackets & accessories	Levelers	Engineering manual
Modular belts & sprockets	Chain & belt return systems	Frame & structure supports	Bearing supports	
Curves & tracks	Side guide solutions	Miscellaneous products	Equipment	

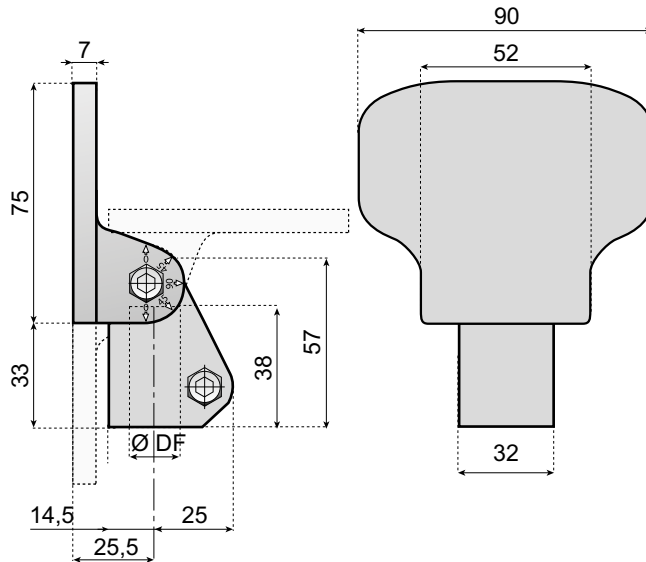
5 3 6 3 5 a

CLAMP FOR PHOTOCELLS REFLECTOR

www.SystemPlastSmartGuide.com



Material: reinforced polyamide, tightening bolts in stainless steel AISI 304.
Use: can be fitted in position **A - B - C**
Supply: assembled, (position A).



ITEM DESCRIPTION	Ø DF	
PC-9075-14M	14	50
PC-9075-15M	15	
PC-9075-16M	16	
PC-9075-18M	18	
PC-9075-20M	20	

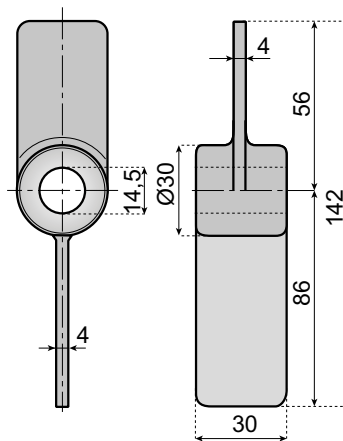
For other type of clamp for photocells, go to:

5 3 6 4 0 a

PHOTOCELLS ACCESSORIES - INDICATORS



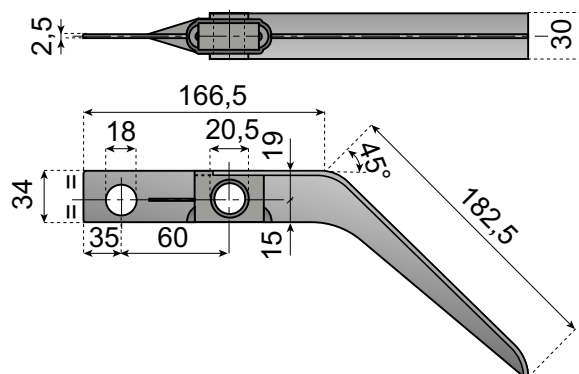
Application: activation of photocells on conveyors and machines.
Material: PA-FG.



ITEM DESCRIPTION	
IND-142B-14M	50



Application: activation of photocells on conveyors and machines.
Material: PA-FG.



ITEM DESCRIPTION	
IND-350R18M-20M (WITH HOLE)	50

Chains & sprockets	Wear strips	Side guide brackets & accessories	Levelers	Engineering manual
Modular belts & sprockets	Chain & belt return systems	Frame & structure supports	Bearing supports	
Curves & tracks	Side guide solutions	Miscellaneous products	Equipment	

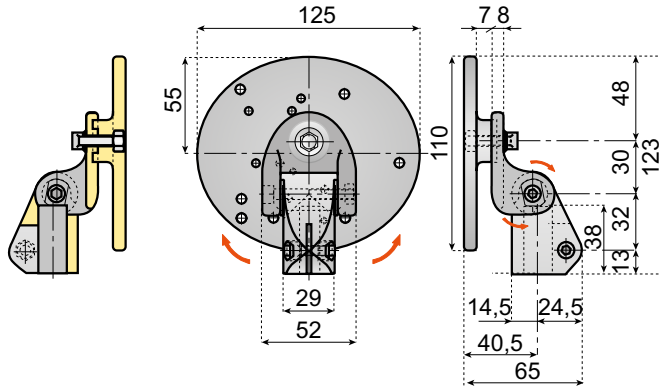
5 3 6 4 0 a

UNIVERSAL CLAMPS FOR PHOTOCELLS OR REFLECTORS

www.SystemPlastSmartGuide.com



Movement on the three axis



Material: clamp in reinforced polyamide, tightening bolt in stainless steel.

Note: max recommended tightening torque 2 Kgm.

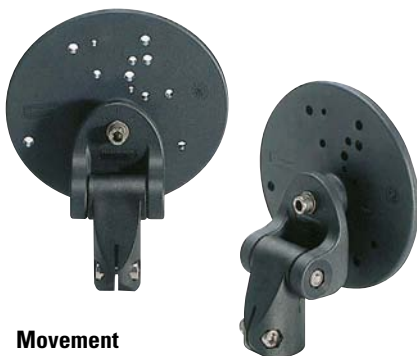
Supply: assembled.

FOR ROD DIAMETER			
Ø 14	Ø 16	Ø 20	
ITEM DESCRIPTION			50
PC-125110-14M	PC-125110-16M	PC-125110-20M	

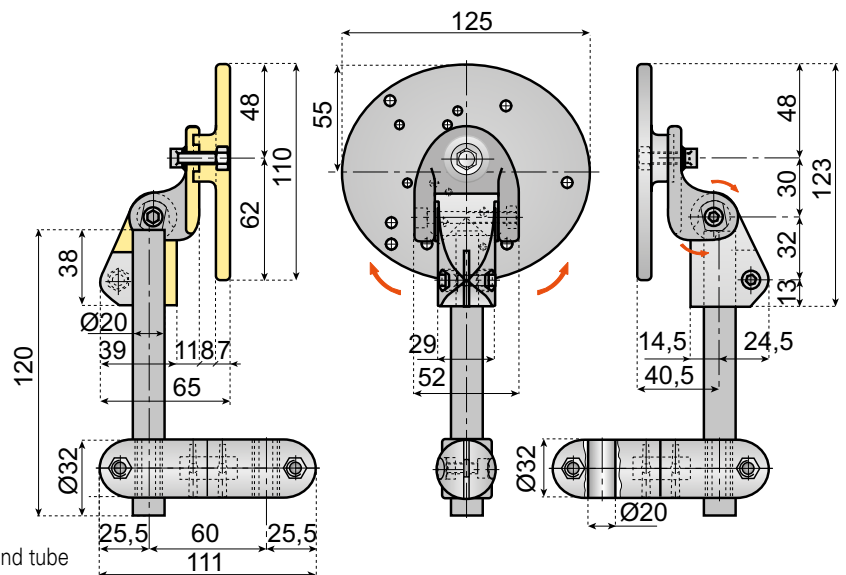
For other type of clamp for photocells go to:

5 3 6 3 5 a

COMPLETE KIT FOR PHOTOCCELL



Movement on the three axis



Material: cross clamp in reinforced polyamide, tightening bolt and tube in stainless steel.

Supply: assembled.

Note: max recommended tightening torque 2 Kgm.

FOR ROD DIAMETER		
Ø 20		
ITEM DESCRIPTION		50
PC-KIT		

Chains & sprockets	Wear strips	Side guide brackets & accessories	Levelers	Engineering manual
Modular belts & sprockets	Chain & belt return systems	Frame & structure supports	Bearing supports	
Curves & tracks	Side guide solutions	Miscellaneous products	Equipment	



5 3 6 4 5 a

CROSS BLOCKS

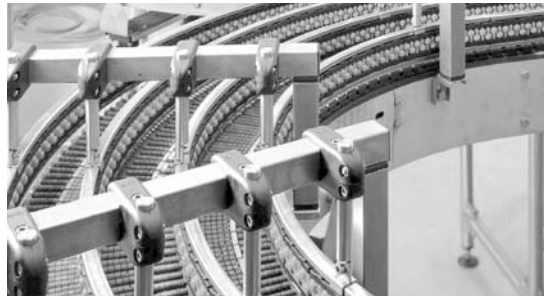
www.SystemPlastSmartGuide.com

Material: cross block in reinforced polyamide, bolts and nut in stainless steel, adjustable handles in reinforced polyamide with insert in nickel plated brass.

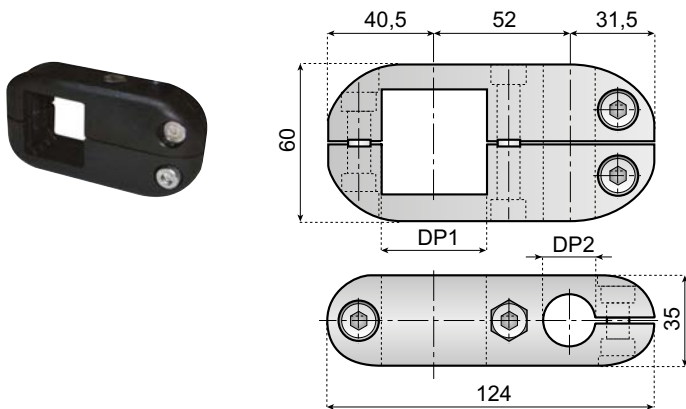
Application: for use in areas where frequent adjusting is required for vertical movement.

Supply: assembled.

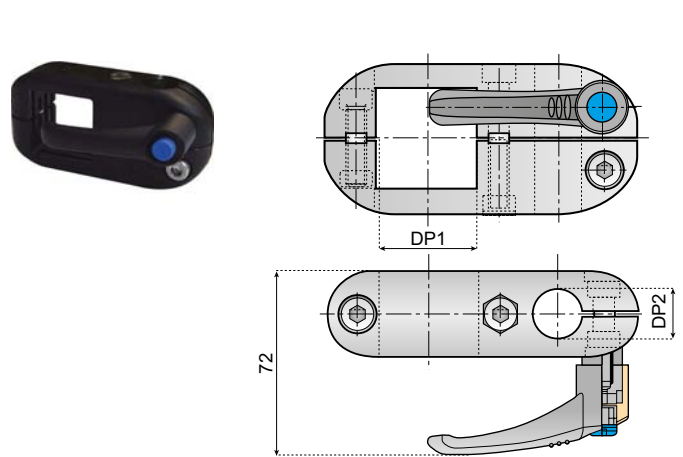
Note: max recommended tightening torque 3 Kgm.



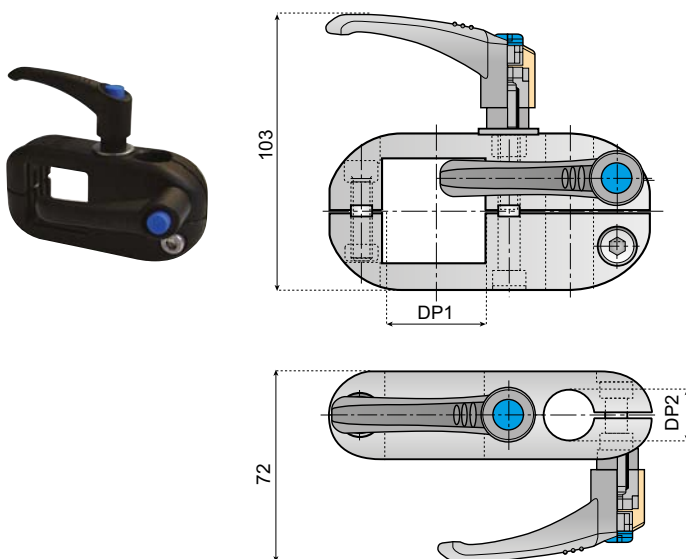
TYPE STANDARD



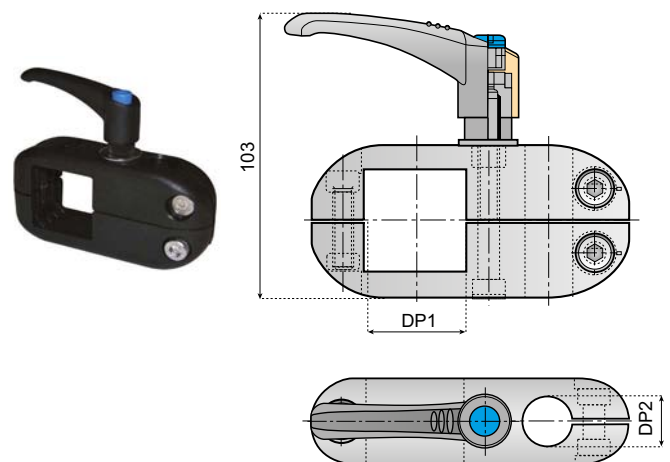
TYPE V



TYPE HV



TYPE H



For other type of cross blocks, go to:

Also available for round bore DP1, go to:

5 3 6 5 0 a

5 3 6 5 0 a

DP 1	DP 2	TYPE STANDARD	TYPE V	TYPE HV	TYPE H	ITEM DESCRIPTION	50
		■ 40	● 16	CC-52-S40M-R16M	CC-52-S40M-R16MH		
■ 40	● 18 ■ 15	CC-52-S40M-R18M	CC-52-S40M-R18MH	CC-52-S40MH-R18MH	CC-52-S40MH-R18M		
■ 40	● 20	CC-52-S40M-R20M	CC-52-S40M-R20MH	CC-52-S40MH-R20MH	CC-52-S40MH-R20M		
■ 40	■ 20	CC-52-S40M-S20M	CC-52-S40M-S20MH	CC-52-S40MH-S20MH	CC-52-S40MH-S20M		

Chains & sprockets	Wear strips	Side guide brackets & accessories	Levelers	Engineering manual
Modular belts & sprockets	Chain & belt return systems	Frame & structure supports	Bearing supports	
Curves & tracks	Side guide solutions	Miscellaneous products	Equipment	

5 3 6 5 0 a

CROSS BLOCKS

www.SystemPlastSmartGuide.com

Material: cross block in reinforced polyamide, bolts and nut in stainless steel, adjustable handles in reinforced polyamide with insert in nickel plated brass.

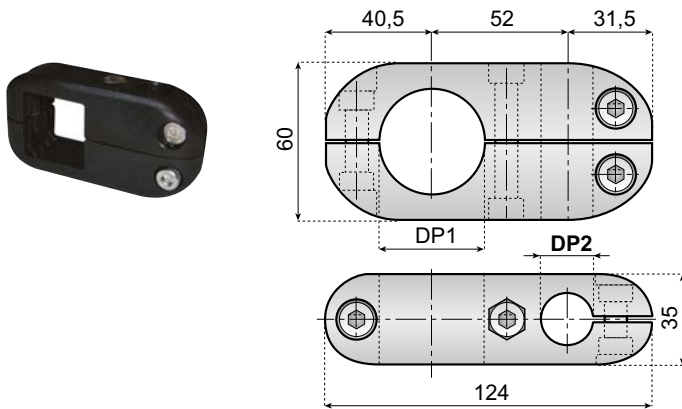
Application: for use in areas where frequent adjusting is required for vertical movement.

Supply: assembled.

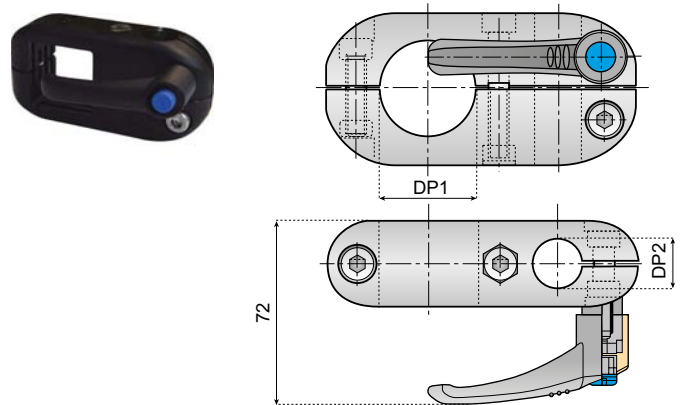
Note: max recommended tightening torque 3 Kgm.



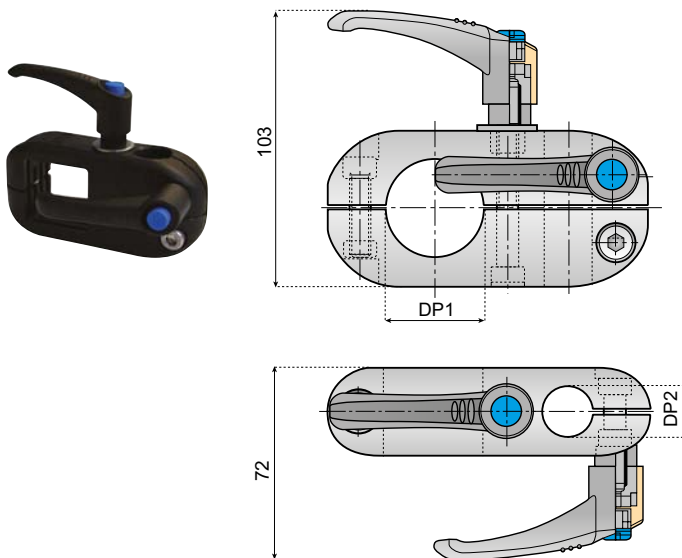
TYPE STANDARD



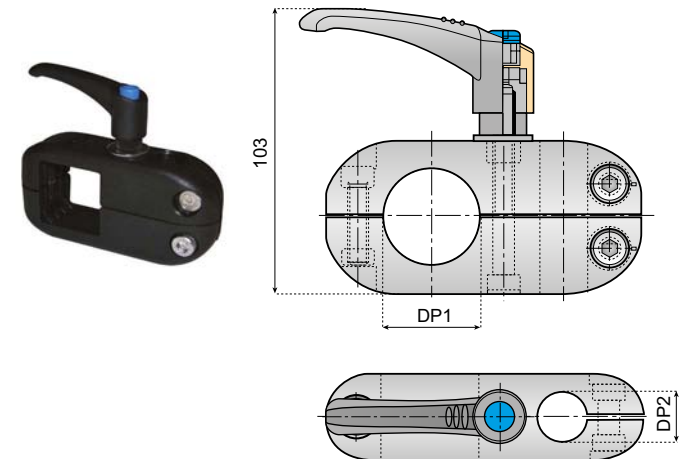
TYPE V



TYPE HV



TYPE H



For other type of cross blocks go to:

5 3 6 4 5 a

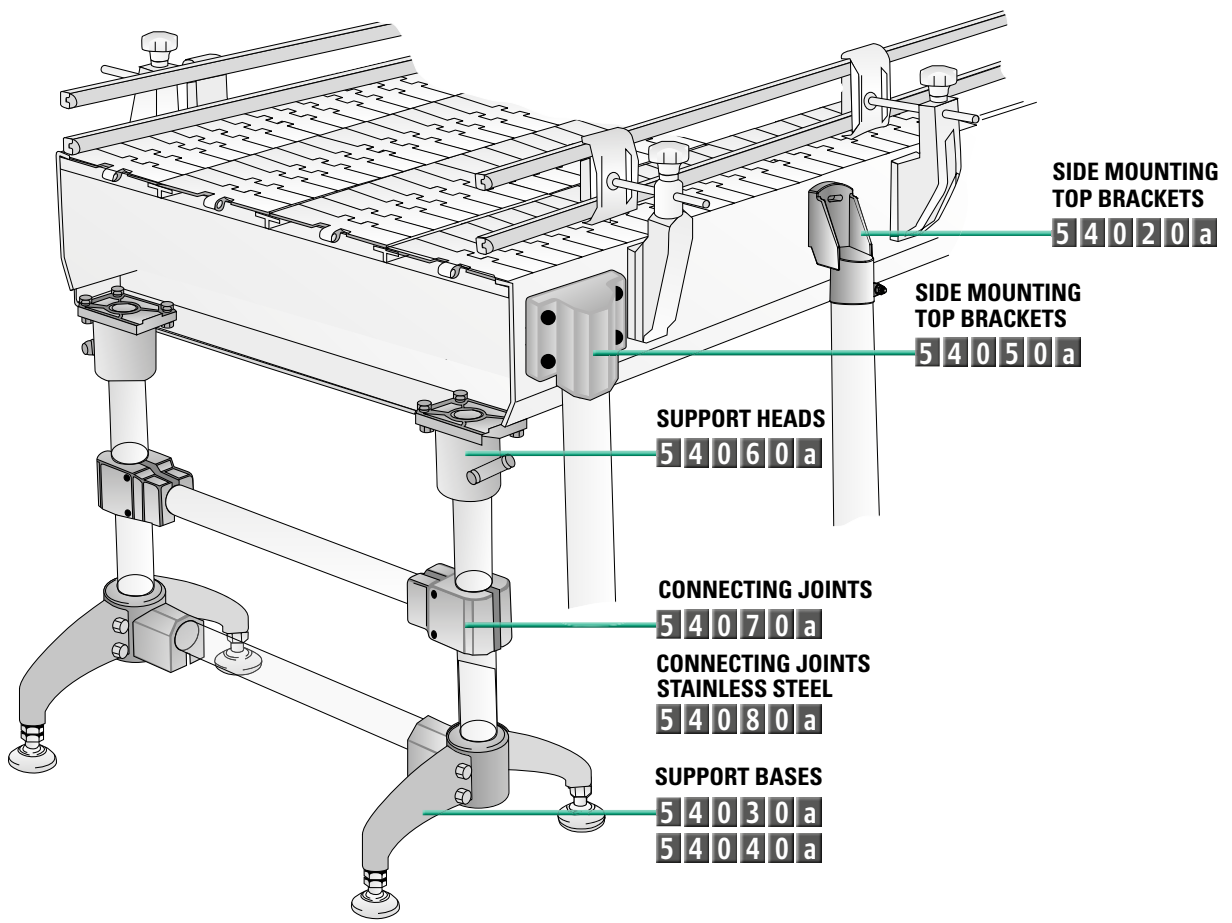
DP 1	DP 2	TYPE STANDARD	TYPE V	TYPE HV	TYPE H	ITEM DESCRIPTION	50
		● 38.1	● 16	CC-52-R38M-R16M	CC-52-R38M-R16MH		
● 38.1	● 18 ■ 15	CC-52-R38M-R18M	CC-52-R38M-R18MH	CC-52-R38MH-R18MH	CC-52-R38MH-R18M		
● 38.1	■ 20	CC-52-R38M-S20M	CC-52-R38M-S20MH	CC-52-R38MH-S20MH	CC-52-R38MH-S20M		
● 38.1	● 20	CC-52-R38M-R20M	CC-52-R38M-R20MH	CC-52-R38MH-R20MH	CC-52-R38MH-R20M		
● 42.2	● 16	CC-52-R42M-R16M	CC-52-R42M-R16MH	CC-52-R42MH-R16MH	CC-52-R42MH-R16M		
● 42.2	● 18 ■ 15	CC-52-R42M-R18M	CC-52-R42M-R18MH	CC-52-R42MH-R18MH	CC-52-R42MH-R18M		
● 42.2	■ 20	CC-52-R42M-S20M	CC-52-R42M-S20MH	CC-52-R42MH-S20MH	CC-52-R42MH-S20M		
● 42.2	■ 20	CC-52-R42M-R20M	CC-52-R42M-R20MH	CC-52-R42MH-R20MH	CC-52-R42MH-R20M		

Chains & sprockets	Wear strips	Side guide brackets & accessories	Levelers	Engineering manual
Modular belts & sprockets	Chain & belt return systems	Frame & structure supports	Bearing supports	
Curves & tracks	Side guide solutions	Miscellaneous products	Equipment	

5 4 0 1 0 a

FRAME & STRUCTURE SUPPORTS INDEX

www.SystemPlastSmartGuide.com



Chains & sprockets	Wear strips	Side guide brackets & accessories	Levelers	Engineering manual
Modular belts & sprockets	Chain & belt return systems	Frame & structure supports	Bearing supports	
Curves & tracks	Side guide solutions	Miscellaneous products	Equipment	

54020a

SIDE MOUNTING TOP BRACKETS

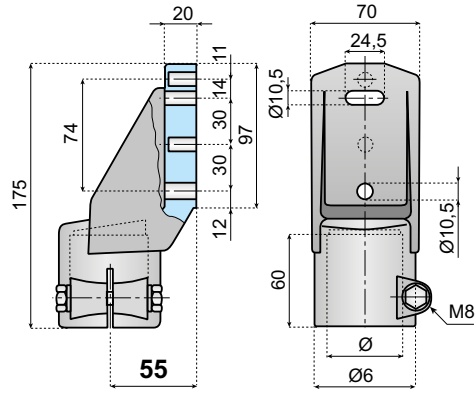
www.SystemPlastSmartGuide.com



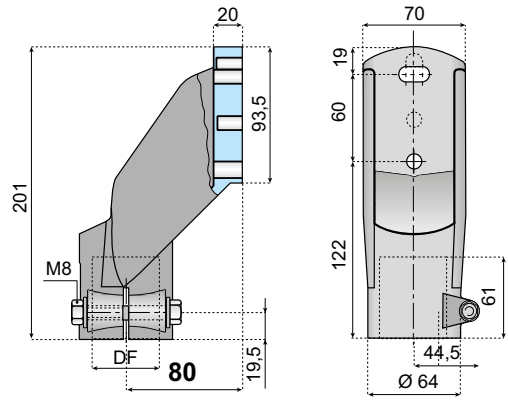
Material: reinforced polyamide. Screw, nut and washers in stainless steel AISI 304
Note: the bracket can be inclined by 5° in both directions when using the lower hole and the upper slot hole. There are two optional holes that can easily be opened by removing the thin membrane. In this way the centre distance of the holes can be:

- Enlarged to 70 mm or
- Reduced to 30 mm

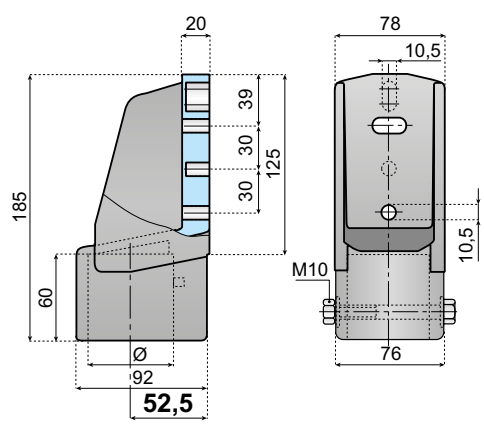
Then it is also possible to use an incline of 10° in both directions



MATERIAL	TUBE Ø 48.3	
	ITEM DESCRIPTION	
PA-FG BLACK	VG-3050-R150	25



MATERIAL	DF - TUBE Ø		DF - TUBE ∇	
	48.3	50.9	40X40	
	ITEM DESCRIPTION			
PA-FG BLACK	VG-3050E-R150	VG-3050E-R200T	VG-3050E-S40M	25



MATERIAL	TUBE Ø 60.3	
	ITEM DESCRIPTION	
PA-FG BLACK	VG-3050-R200	25

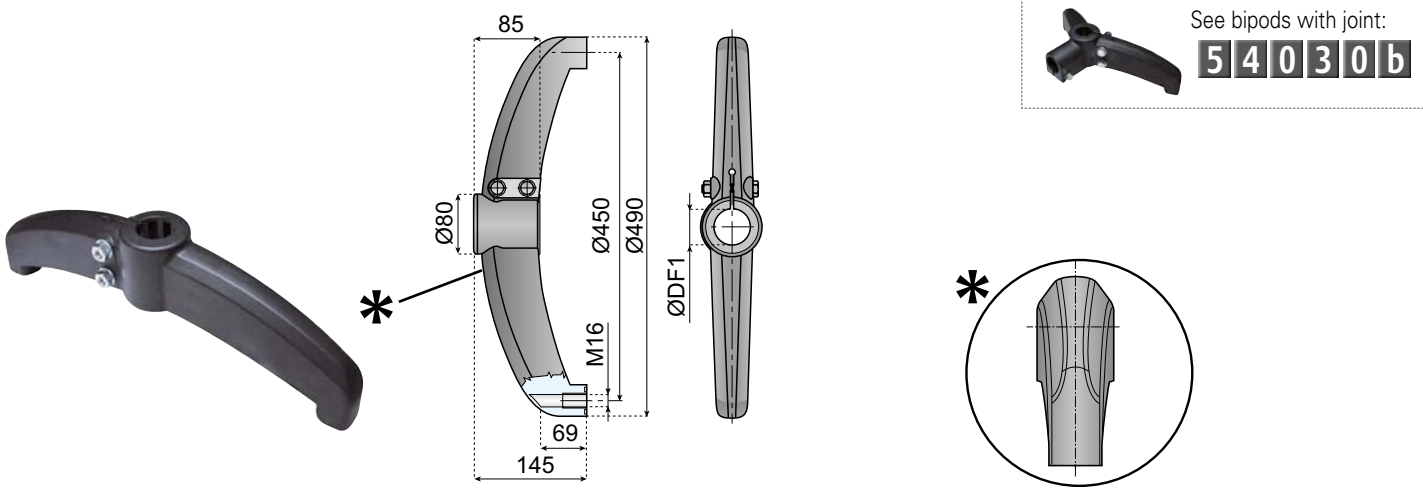
Chains & sprockets	Wear strips	Side guide brackets & accessories	Levelers	Engineering manual
Modular belts & sprockets	Chain & belt return systems	Frame & structure supports	Bearing supports	
Curves & tracks	Side guide solutions	Miscellaneous products	Equipment	

54030a

SUPPORT BASES

www.SystemPlastSmartGuide.com

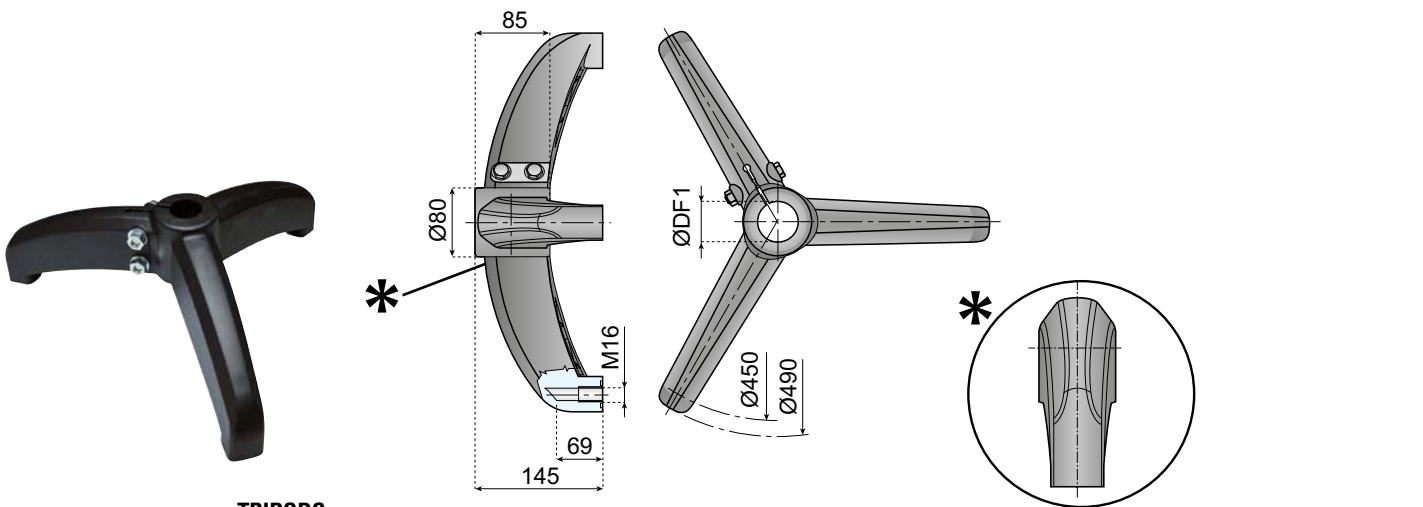
Features: Increased stability. Self cleaning design for all support bases in this page
Material: Reinforced polyamide threaded bushings and spacers in nickel plated brass.



BIPODS

Zn: Zinc Plated Steel
 SS AISI 304:
 Stainless steel

	FASTENERS	TUBE Ø - DF1				15
		42,4 (1 ¼")	48,3 (1 ½")	50,9 -	60,3 (2")	
PA-FG BLACK		ITEM DESCRIPTION				
	Zn	VG-BP-R125-BM16-G	VG-BP-R150-BM16-G	-	VG-BP-R200-BM16-G	
	SS AISI 304	VG-BP-R125-BM16-S	VG-BP-R150-BM16-S	VG-BP-R200T-BM16-S	VG-BP-R200-BM16-S	



TRIPODS

Zn: Zinc Plated Steel
 SS AISI 304:
 Stainless steel

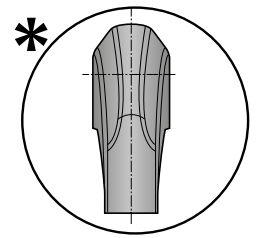
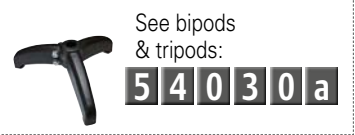
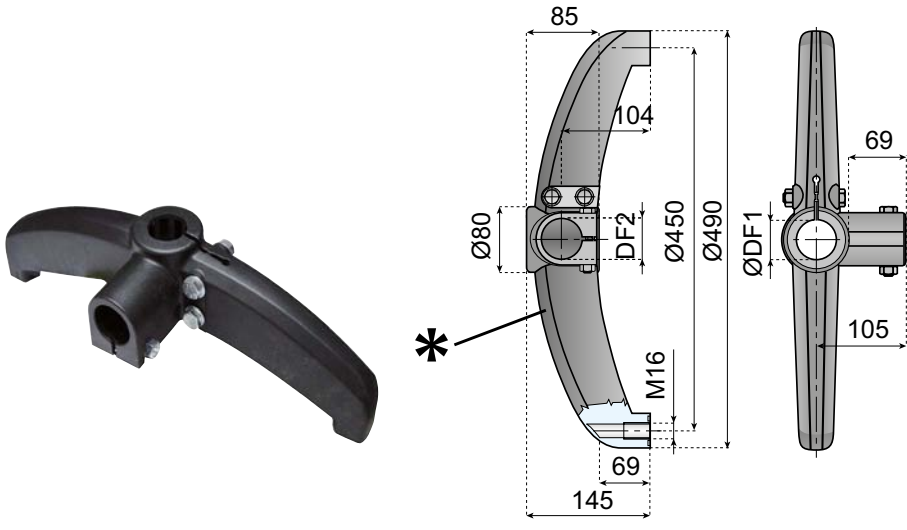
	FASTENERS	TUBE Ø - DF1				15
		42,4 (1 ¼")	48,3 (1 ½")	50,9 -	60,3 (2")	
PA-FG BLACK		ITEM DESCRIPTION				
	Zn	VG-TP-R125-BM16-G	VG-TP-R150-BM16-G	VG-TP-R200T-BM16-G	VG-TP-R200-BM16-G	
	SS AISI 304	VG-TP-R125-BM16-S	VG-TP-R150-BM16-S	VG-TP-R200T-BM16-S	VG-TP-R200-BM16-S	

Chains & sprockets	Wear strips	Side guide brackets & accessories	Levelers	Engineering manual
Modular belts & sprockets	Chain & belt return systems	Frame & structure supports	Bearing supports	
Curves & tracks	Side guide solutions	Miscellaneous products	Equipment	

54030b

SUPPORT BASES

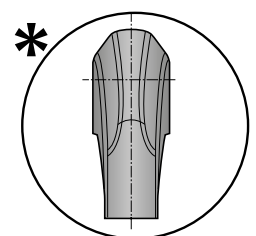
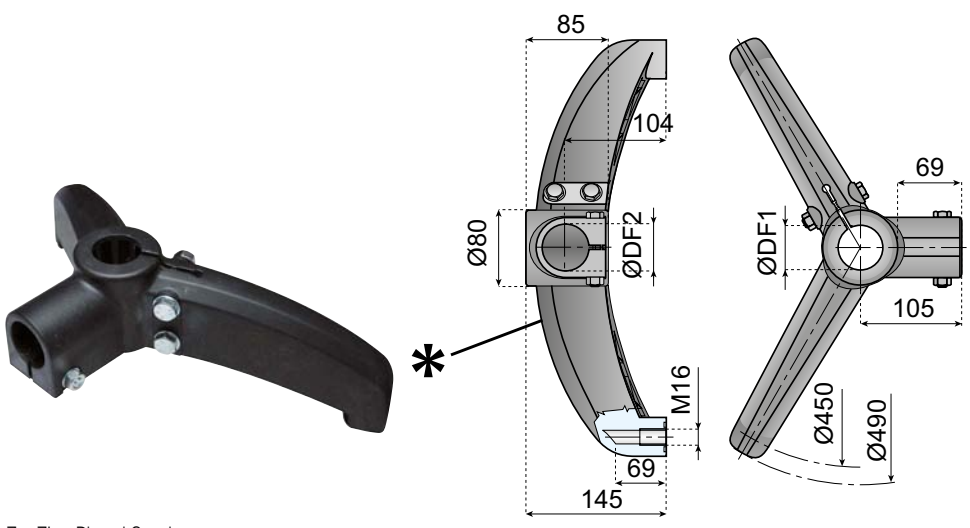
www.SystemPlastSmartGuide.com



Zn: Zinc Plated Steel
SS AISI 304: Stainless steel

BIPODS 180° WITH JOINT

PA-FG BLACK	TUBE Ø - DF1			
	48.3 (1 1/2")	50.9	60.3 (2")	
TUBE Ø DF2	FASTENERS	ITEM DESCRIPTION		
42,4 (1 1/4")	Zn	VG-BPT-R150-R125-BM16-G	VG-BPT-R200T-R125-BM16-G	VG-BPT-R200-R125-BM16-G
	SS AISI 304	VG-BPT-R150-R125-BM16-S	VG-BPT-R200T-R125-BM16-S	VG-BPT-R200-R125-BM16-S
48,3 (1 1/2")	Zn	VG-BPT-R150-R150-BM16-G	-	-
	SS AISI 304	VG-BPT-R150-R150-BM16-S	-	VG-BPT-R200-R150-BM16-S



Zn: Zinc Plated Steel
SS AISI 304: Stainless steel

BIPODS 120° WITH JOINT

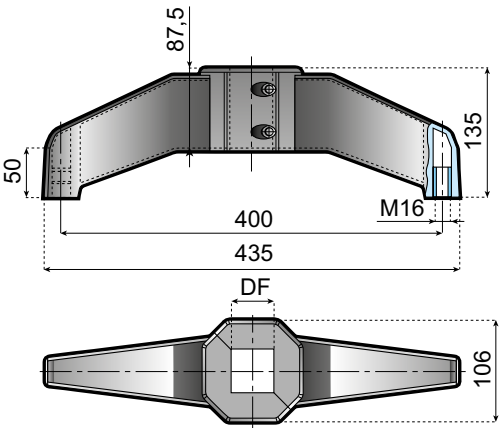
PA-FG BLACK	TUBE Ø - DF1			
	48.3 (1 1/2")	50.9	60.3 (2")	
TUBE Ø DF2	FASTENERS	ITEM DESCRIPTION		
42,4 (1 1/4")	Zn	VG-BPV-R150-R125-BM16-G	-	-
	SS AISI 304	VG-BPV-R150-R125-BM16-S	VG-BPV-R200T-R125-BM16-S	VG-BPV-R200-R125-BM16-S
48,3 (1 1/2")	Zn	VG-BPV-R150-R150-BM16-G	-	-
	SS AISI 304	VG-BPV-R150-R150-BM16-S	-	VG-BPV-R200-R150-BM16-S

Chains & sprockets	Wear strips	Side guide brackets & accessories	Levelers	Engineering manual
Modular belts & sprockets	Chain & belt return systems	Frame & structure supports	Bearing supports	
Curves & tracks	Side guide solutions	Miscellaneous products	Equipment	

54040a

SUPPORT BASES

www.SystemPlastSmartGuide.com



Material: reinforced polyamide threaded bushings in nickel plated brass fasteners in stainless steel AISI 304.

PA-FG BLACK	TUBE Ø		
	45X45	50X50	
ITEM DESCRIPTION			
BPS-4020-S45M-BM16-S	BPS-4020-S50M-BM16-S	15	

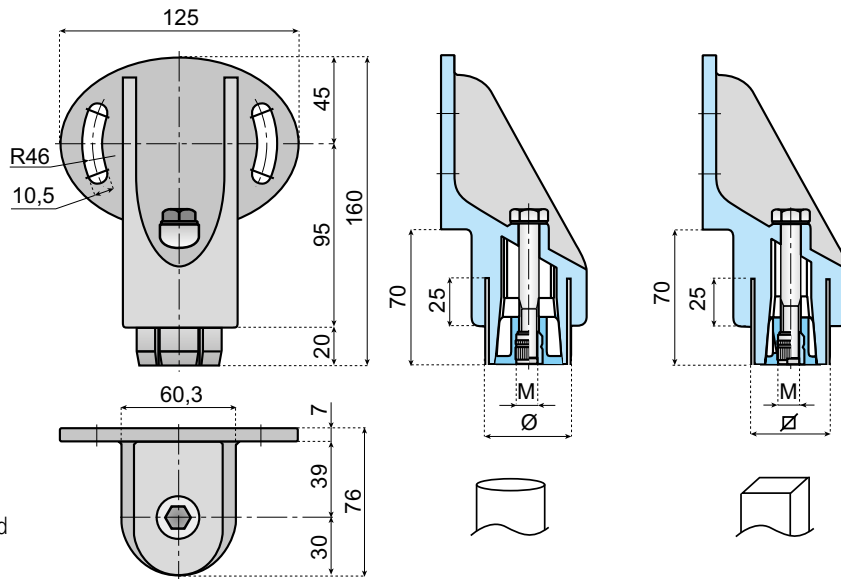
Chains & sprockets	Wear strips	Side guide brackets & accessories	Levelers	Engineering manual
Modular belts & sprockets	Chain & belt return systems	Frame & structure supports	Bearing supports	
Curves & tracks	Side guide solutions	Miscellaneous products	Equipment	



54050a

SIDE MOUNTING TOP BRACKETS

www.SystemPlastSmartGuide.com



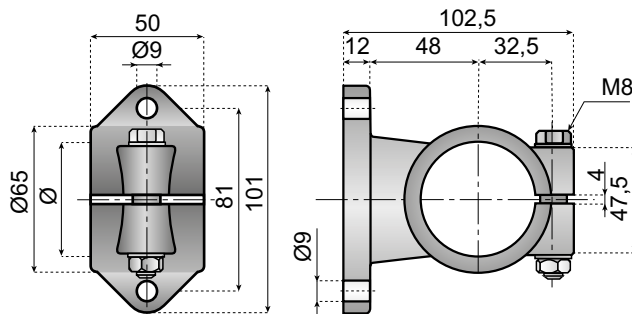
Side mounting top bracket with expansion plug:
 - for round Tubes Ø 48,3/50,9 x1.5 mm;
 - for square Tubes 40x40x2 mm.

Components: external part in reinforced polyamide.
 Conical insert in reinforced polyamide.
 Threaded bushing in nickel plated brass.
 Bolt and washer in stainless steel.
Note: max recommended tightening torque 2.5 Kgm.
Application: the bracket can be inclined by 30°.



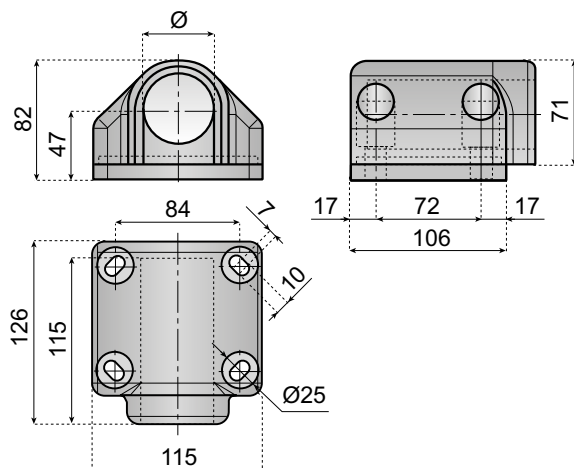
		TUBE Ø		TUBE ▧	
		48.3	50.9	40X40	
		ITEM DESCRIPTION			
PA-FG BLACK	M10	VG-3051-R150-NB <small>MOQ</small>	VG-3051-R200T-NB <small>MOQ</small>	VG-3051-S40M-NB <small>MOQ</small>	25

MOQ Min. order quantity: 300 pcs.



Material: reinforced polyamide, screws and nuts in stainless steel AISI 304.
Note: max. recommended tightening torque 1.5 Kgm.

		TUBE Ø 48,3	
		ITEM DESCRIPTION	
PA-FG BLACK		VG-3052-R150	25



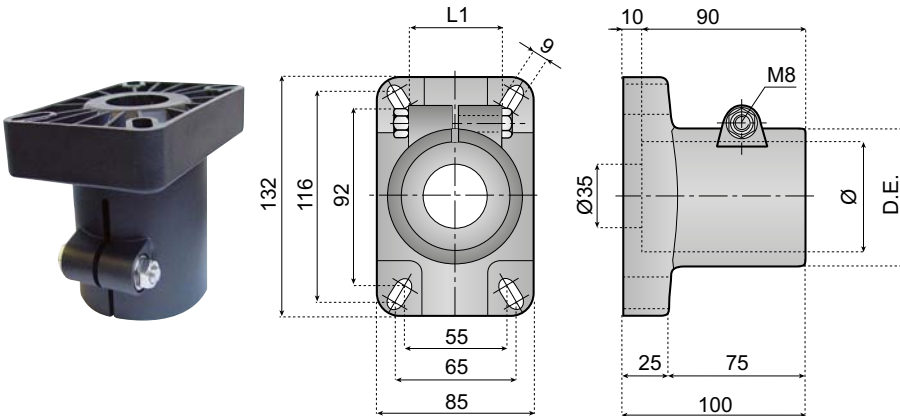
		TUBE Ø 48,3	
		ITEM DESCRIPTION	
PA-FG BLACK		VG-3055-R150	25

Chains & sprockets	Wear strips	Side guide brackets & accessories	Levelers	Engineering manual
Modular belts & sprockets	Chain & belt return systems	Frame & structure supports	Bearing supports	
Curves & tracks	Side guide solutions	Miscellaneous products	Equipment	

5 4 0 6 0 a

SUPPORT HEADS

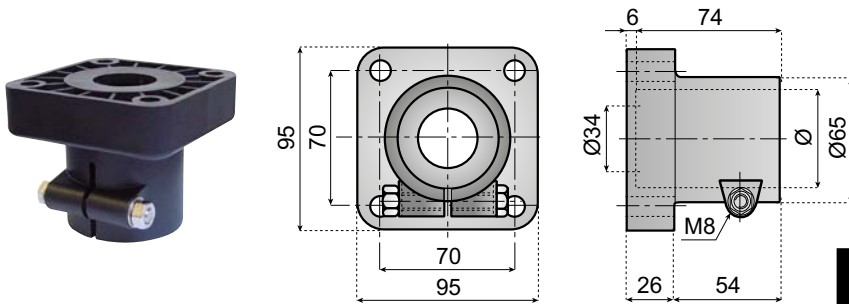
www.SystemPlastSmartGuide.com



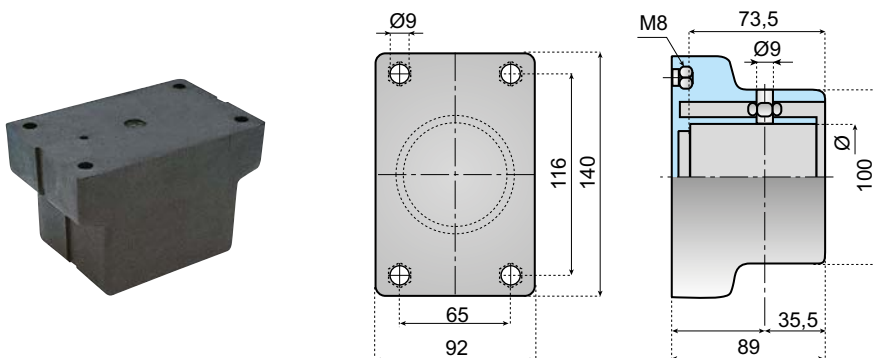
Material: reinforced polyamide; screw, nut and washers in stainless steel AISI 304.

Note: max. recommended tightening torque 2 Kgm.

PA-FG BLACK	D.E.	L1	TUBE Ø				
			42,4	48,3	50,9	60,3	
			ITEM DESCRIPTION				
	65	43	-	VG-3080-R150	-	-	
	65	43	-	-	VG-3080-R200T	-	
	76	43	-	-	-	VG-3080-R200	



PA-FG BLACK	TUBE Ø		
	48,3	50,9	
	ITEM DESCRIPTION		
	VG-3070-R150	VG-3070-R200T	25



PA-FG BLACK	TUBE Ø	
	60,3	
	ITEM DESCRIPTION	
	VG-3087-R200	25

MOQ Min. order quantity: 300 pcs.

Material: polyamide, stainless steel bolts.

Note: max. recommended tightening torque 1.5 Kgm.

Chains & sprockets	Wear strips	Side guide brackets & accessories	Levelers	Engineering manual
Modular belts & sprockets	Chain & belt return systems	Frame & structure supports	Bearing supports	
Curves & tracks	Side guide solutions	Miscellaneous products	Equipment	

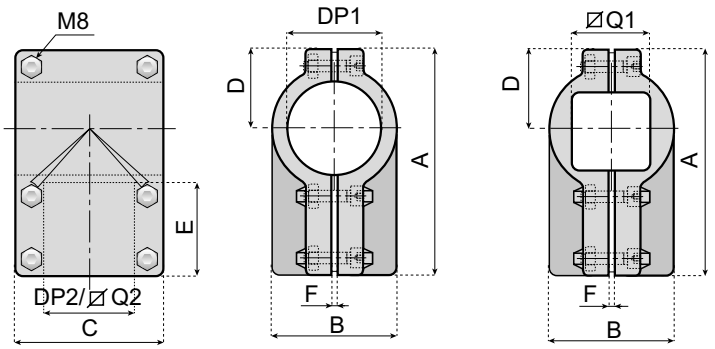
54070a

CONNECTING JOINTS

www.SystemPlastSmartGuide.com

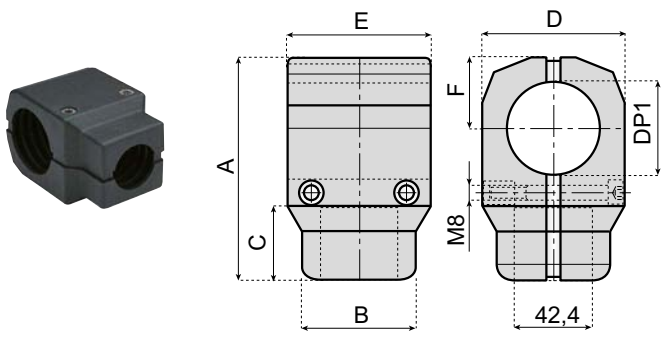


		DP1/Q1	A	B	C	D	E	F
PA-FG BLACK		42,4	134	68	86	45	60	3
		48,3	134	68	86	45	60	3
		50,9	146	80	98	51	60	3
		60,3	146	80	98	51	60	3
		40	134	68	86	45	60	3
		50	146	80	98	51	60	3



Material: reinforced polyamide, screws and nuts in stainless steel AISI 304.
Note: max. recommended tightening torque 1.5 Kgm.

	TUBE Ø	DP2				Q2			
		42,4	48,3	50,9	60,3	40	50		
		ITEM DESCRIPTION							
	42,4	VG-3110-R125-R125	-	-	-	-	-	25	
	48,3	VG-3110-R150-R125	VG-3110-R150-R150	-	-	-	-		
	50,9	VG-3110-R200T-R125	VG-3110-R200T-R150	VG-3110-R200T-R200T	-	-	-		
	60,3	VG-3110-R200-R125	VG-3110-R200-R150	VG-3110-R200-R200T	VG-3110-R200-R200	-	-		
	40	-	-	-	-	VG-3110-S40M-S40M	-		
	50	-	-	-	-	-	VG-3110-S50M-S50M		



PA-FG BLACK	DP1	A	B	C	D	E	F	ITEM DESCRIPTION	25
	48,3	122	62	41	78	78	39	VG-3115-R150-R125	
	50,9	122	62	41	78	78	39	VG-3115-R150T-R125	
	60,3	130	65	-	82	82	42,5	VG-3115-R200-R125	

Material: reinforced polyamide, screws in stainless steel AISI 304, bushings in nickel plated brass.
Note: max. recommended tightening torque 1.5 Kgm.

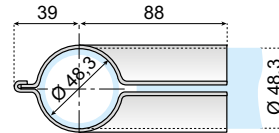
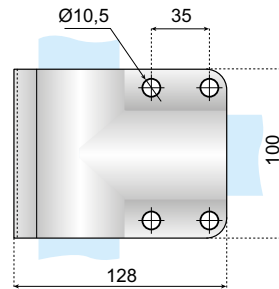
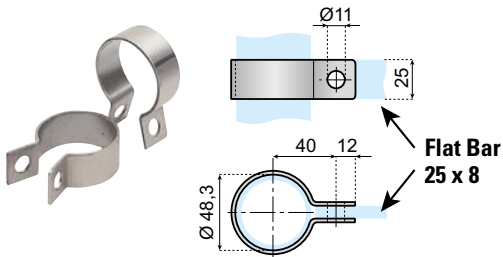
Chains & sprockets	Wear strips	Side guide brackets & accessories	Levelers	Engineering manual
Modular belts & sprockets	Chain & belt return systems	Frame & structure supports	Bearing supports	
Curves & tracks	Side guide solutions	Miscellaneous products	Equipment	



54080a

CONNECTING JOINTS

www.SystemPlastSmartGuide.com



Thickness: S = 2 mm.
Surface: tumbling finish.
Use: with Tubes Ø 48,3
Note: the connecting joint is supplied without screws.
Material: Stainless Steel AISI 304.

Material: Stainless Steel AISI 304.

ITEM DESCRIPTION	
TC-R150-S	25

ITEM DESCRIPTION	
TCHD-R150-R150-S	25

EXPANSION PLUGS FOR ROUND AND SQUARE TUBES

Components and Material:

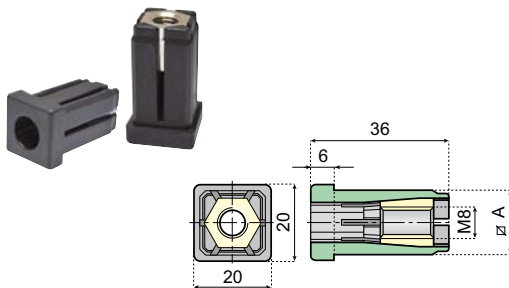
Conical insert is in nickel plated brass.

* Conical insert is in reinforced polyamide.

Notes: bolt and washer are not included.

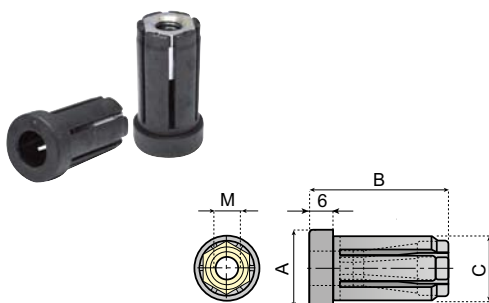
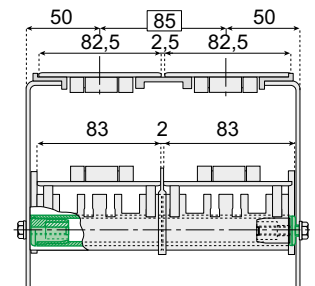
Technical information:

Max. load for removal Kgf 420 (static conditions).



EXPANSION PLUG FOR SQUARE TUBES

MATERIAL	M8	FOR SQUARE TUBE ∇	
	ITEM DESCRIPTION		
PA BLACK	TEE-S2015-BM8	20 x 20 x 1,5	100
	TEE-S2020-BM8	20 x 20 x 2	



EXPANSION PLUG FOR ROUND TUBES

MATERIAL	M	DIMENSIONS mm			TUBE DIMENSIONS			ITEM DESCRIPTION	
		A	B	C	EXT. Ø	INT. Ø	WALL		
PA BLACK	8	20	36	16,8	20	17	1,5	TEE-R2015-BM8	50
		38	42	34,8	38	35	1,5	TEE-3815-BM10	
	10	44,5	42	39,2	42,4	39,4	1,5	TEE-4415-BM10	
		48,5	50	44,7	48,3	45,3	1,5	* TEE-4815-BM10 ^{MOQ}	

MOQ Min. order quantity: 300 pcs.

Chains & sprockets	Wear strips	Side guide brackets & accessories	Levelers	Engineering manual
Modular belts & sprockets	Chain & belt return systems	Frame & structure supports	Bearing supports	
Curves & tracks	Side guide solutions	Miscellaneous products	Equipment	

5 4 0 8 0 z

APPLICATION EXAMPLES

www.SystemPlastSmartGuide.com



**Accumulation system for conical products.
The guide on top improves product stability.**

For details clamps , go to:

5 3 6 2 0 a



Frame supporting components.

Go to:

5 4 0 1 0 a

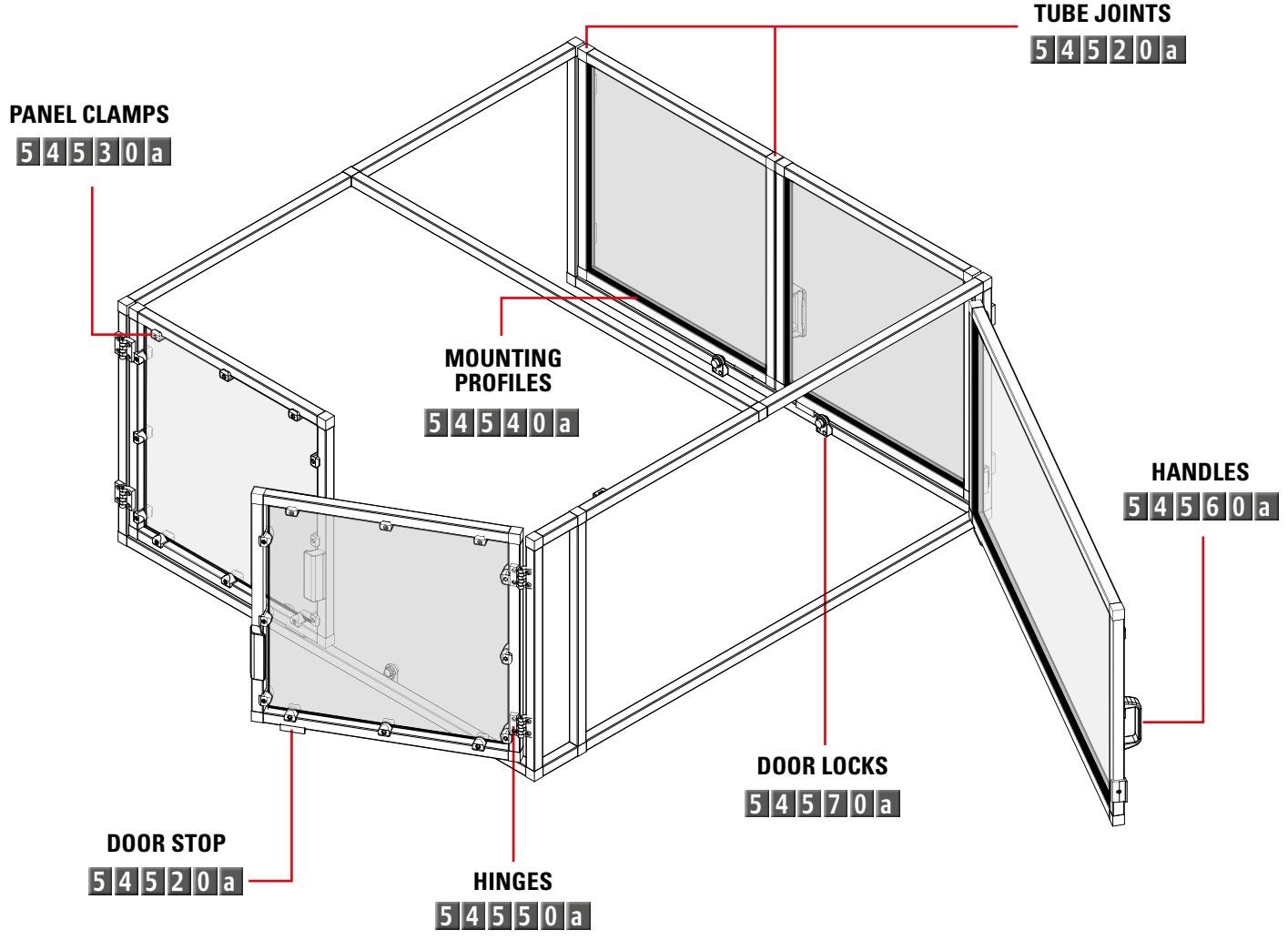
Chains & sprockets	Wear strips	Side guide brackets & accessories	Levelers	Engineering manual
Modular belts & sprockets	Chain & belt return systems	Frame & structure supports	Bearing supports	
Curves & tracks	Side guide solutions	Miscellaneous products	Equipment	

5 4 5 1 0 a

MISCELLANEOUS PRODUCTS

www.SystemPlastSmartGuide.com

MACHINE GUARDING



MISCELLANEOUS COMPONENTS

END PLUGS
5 4 5 3 0 a

KNOBES
5 4 6 0 0 a
5 4 6 1 0 a

RATCHET HANDLES
5 4 6 2 0 a

SHAFT COLLAR
5 4 6 3 0 a



Information about this product is only available on our Smart Guide® website.

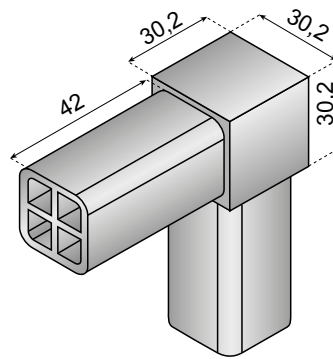
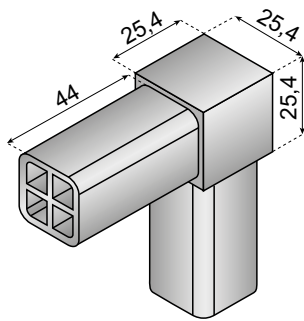
Chains & sprockets	Wear strips	Side guide brackets & accessories	Levelers	Engineering manual
Modular belts & sprockets	Chain & belt return systems	Frame & structure supports	Bearing supports	
Curves & tracks	Side guide solutions	Miscellaneous products	Equipment	



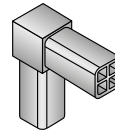
54520a

TUBE JOINTS

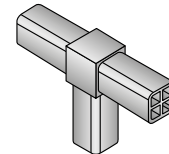
www.SystemPlastSmartGuide.com



FOR TUBES
25 X 25 X 1,5 mm - 30 X 30 X 2 mm



TYPE: L



TYPE: T

Application:
joints can be used with square Tubes 25x25x1,5 mm.

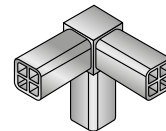
Application:
joints can be used with square Tubes 30x30x2 mm.

PA-FG BLACK	ITEM DESCRIPTION TUBE
TYPE	25X25X1,5
L	CJ-L-25M-PAB
T	CJ-T-25M-PAB
C	CJ-C-25M-PAB
TC	CJ-TC-25M-PAB
V	CJ-V-25M-PAB

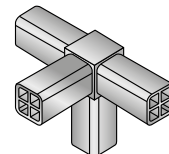
Material: Polyamide black

PA-FG BLACK	ITEM DESCRIPTION TUBE
TYPE	30X30X2
L	CJ-L-30M-PAB
T	CJ-T-30M-PAB
C	CJ-C-30M-PAB
TC	CJ-TC-30M-PAB

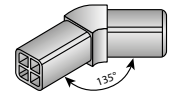
Material: Polyamide black



TYPE: C

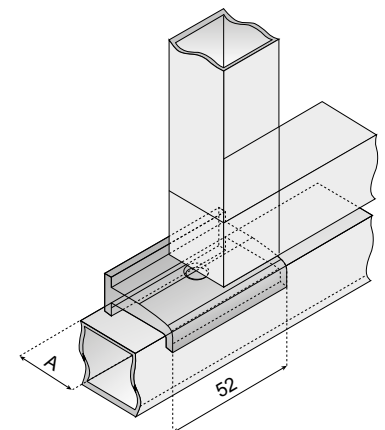
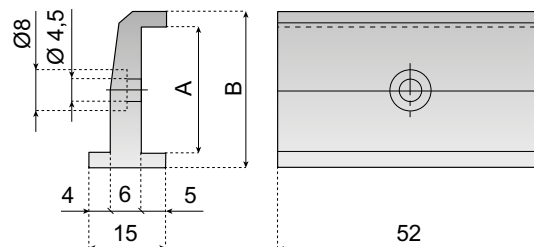


TYPE: TC



TYPE: V

DOOR STOP



DOOR STOP

Application: door stop is normally used in order to support and position doors or windows of machine guards.

PA-FG BLACK	A	B	ITEM DESCRIPTION	
	25	31	DS-25M52	100
	30	36	DS-30M52	

Chains & sprockets	Wear strips	Side guide brackets & accessories	Levelers	Engineering manual
Modular belts & sprockets	Chain & belt return systems	Frame & structure supports	Bearing supports	
Curves & tracks	Side guide solutions	Miscellaneous products	Equipment	

5 4 5 3 0 a

PANEL CLAMPS

www.SystemPlastSmartGuide.com

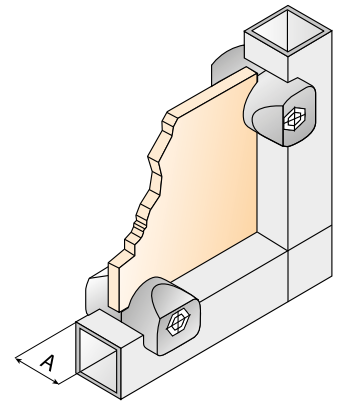
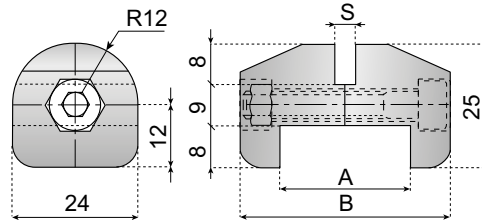


PANEL CLAMPS

Material: reinforced polyamide with stainless steel bolt.

Application: panel clamp permits rapid installation of panels.

Supply: assembled.



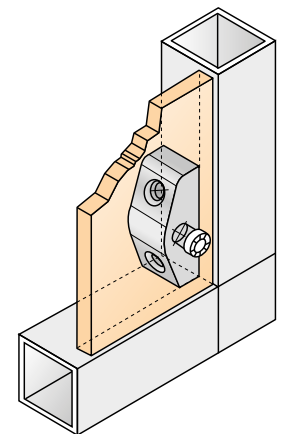
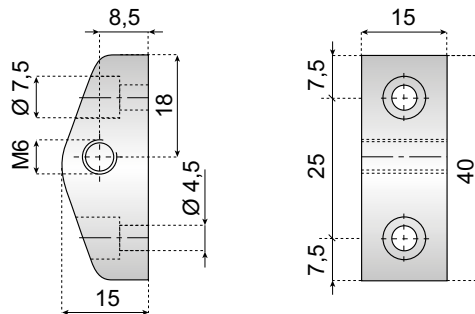
PA-FG BLACK			S - PANEL THICKNESS				
			1.5 mm	4 mm	5 mm	6 mm	
TUBE	A	B	ITEM DESCRIPTION				
25x25	25	40	PC-25T15-PAB	PC-25T40-PAB	PC-25T50-PAB	PC-25T60-PAB	50
30x30	30	45	-	PC-30T40-PAB	PC-30T50-PAB	PC-30T60-PAB	



FIXING BLOCK

Application: block permits rapid installation of the panels and can be used with panels of different thickness.

Supply: without screws.



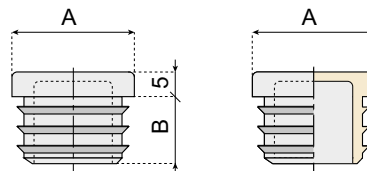
PA-FG BLACK	ITEM DESCRIPTION	
	PMB-40M6-PAB	10

END PLUGS

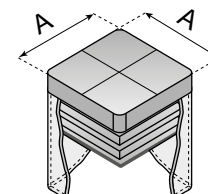


Application:

square Tubes, dimensions:
25x25x1,5 mm or 25x25x1,2 mm;
30x30x2 mm; 50x50x2,5 mm.



A	B	ITEM DESCRIPTION	
25	13,5	CAP-25M-PAB	100
30	14	CAP-30M-PAB	
50	15	CAP-50M-PAB	



Chains & sprockets	Wear strips	Side guide brackets & accessories	Levelers	Engineering manual
Modular belts & sprockets	Chain & belt return systems	Frame & structure supports	Bearing supports	
Curves & tracks	Side guide solutions	Miscellaneous products	Equipment	



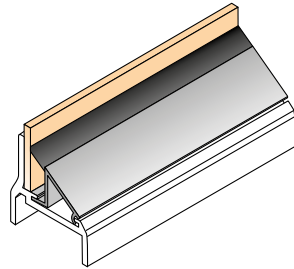
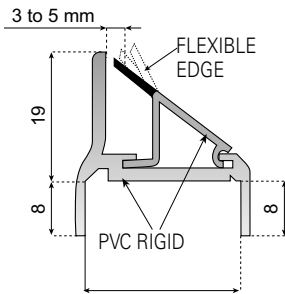
5 4 5 4 0 a

PANEL MOUNTING PROFILES

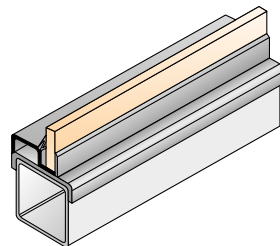
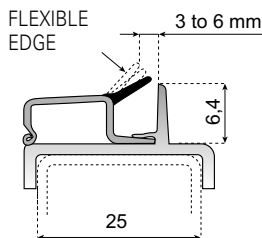
www.SystemPlastSmartGuide.com

Material: rigid - flexible PVC.

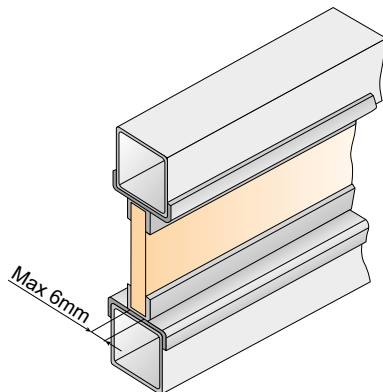
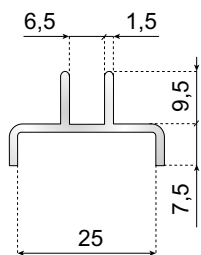
Application: this profile can be used with plain Tubes 25x25 mm in different materials. If used for the mounting of panels and windows it offers the possibility to remove the panels without disassembling the complete structure, thanks to the special profile in PVC, partially rigid and partially flexible.



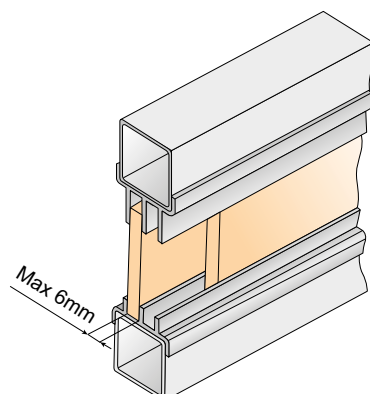
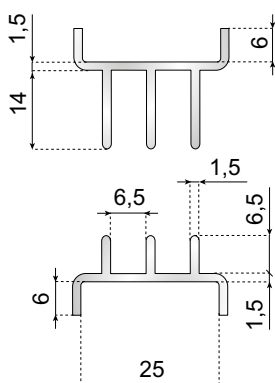
MATERIAL PVC		
ITEM DESCRIPTION		
GP-25S-PVCB-2500	2,5 m	10



MATERIAL PVC		
ITEM DESCRIPTION		
GP-L25S-PVCB-2500	2,5 m	10



Item description		
SF-CD1-6M-PVCB-2000	2 m	10



PROFILE FOR SLIDING PANELS

Application: this profile can be used with square Tubes 25x25 mm. It is used for small sliding windows.

***Supply:** 2 m lengths (1 upper and 1 lower profile).

ITEM DESCRIPTION		
SF-SPS-6M-PVCB-2000	2 m*	10

Chains & sprockets	Wear strips	Side guide brackets & accessories	Levelers	Engineering manual
Modular belts & sprockets	Chain & belt return systems	Frame & structure supports	Bearing supports	
Curves & tracks	Side guide solutions	Miscellaneous products	Equipment	

54550a

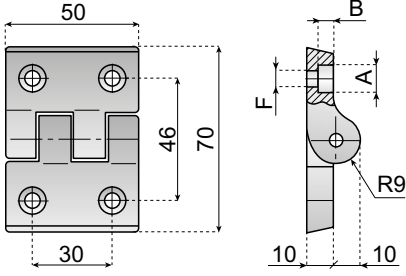
HINGES

www.SystemPlastSmartGuide.com



HINGE

Material: reinforced polyamide, pin in stainless steel AISI 430.
Note: door can be opened up to 180°.
Supply: assembled.

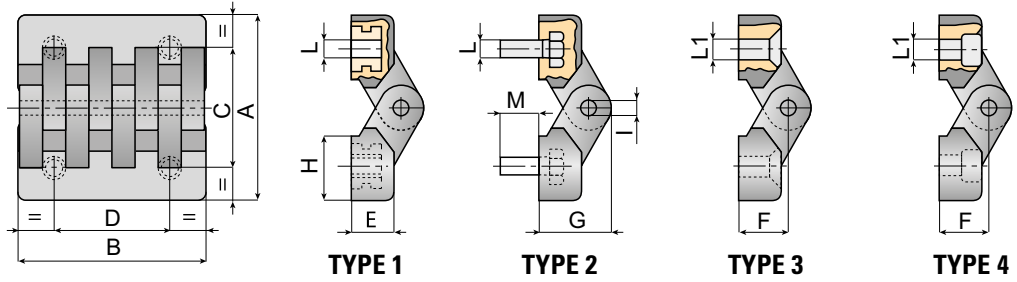


F	A	B	ITEM DESCRIPTION	
6,5	10,5	6	VG-633-M6	50
8,5	13,5	4	VG-633-M8	



HINGE

Material: reinforced polyamide, pin and screw in stainless steel AISI 430, threaded insert in brass.
Notes: door can be opened up to 180°.
Supply: assembled.



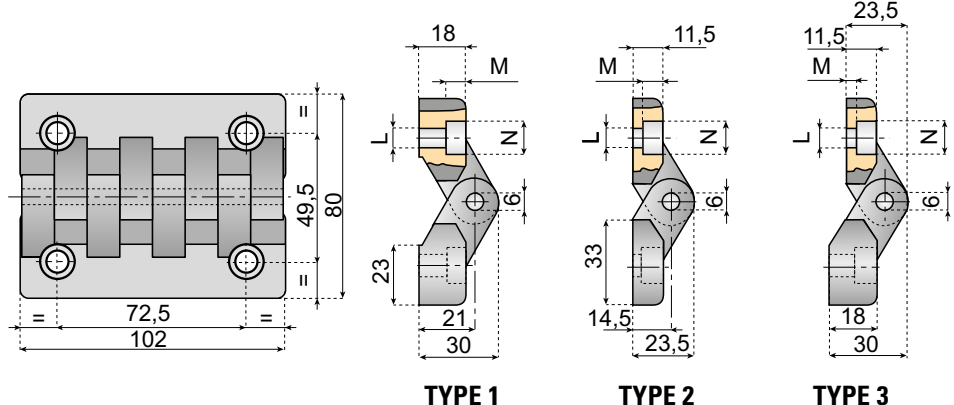
A	B	C	D	E	F	G	H	I	L	L1	M	ITEM DESCRIPTION				
												TYPE 1	TYPE 2	TYPE 3	TYPE 4	
39	40	25	25	10	10.5	15	14	3	M5	4,2 5,5	-	HNG-40M5-PAB ^{MOQ}	-	HNG-40R4C-PAB ^{MOQ}	HNG-40R4-PAB ^{MOQ}	50
												-	-	HNG-40R5-PAB ^{MOQ}		
49	49	31	30	11	13	19	17	4	M5 M6	5,5	14	HNG-49M5-PAB	HNG-49M514-PAB	HNG-49R5C-PAB	HNG-49R5-PAB	
												HNG-49M6-PAB	-	-	-	
64	65	40	40	13.5	15	23	24	5	M5 M6 M8	6,5	17	HNG-65M5-PAB ^{MOQ}	-	-	-	
												HNG-65M6-PAB	HNG-65M617-PAB ^{MOQ}	HNG-65R6C-PAB	HNG-65R6-PAB	
												HNG-65M8-PAB ^{MOQ}	-	-	-	

MOQ Min. order quantity: 200 pcs.



HINGE

Material: reinforced polyamide, pin in stainless steel AISI 430.
Notes: door can be opened up to 180°.
Supply: assembled.



L	M	N	ITEM DESCRIPTION			
			TYPE 1	TYPE 2	TYPE 3	
6,5	6	10,5	VG-634-BB	VG-634-AA	VG-634-AB	50
8,5	8	13,5	VG-634-DD	VG-634-CC	VG-634-CD	

Chains & sprockets	Wear strips	Side guide brackets & accessories	Levelers	Engineering manual
Modular belts & sprockets	Chain & belt return systems	Frame & structure supports	Bearing supports	
Curves & tracks	Side guide solutions	Miscellaneous products	Equipment	

5 4 5 6 0 a

DOOR HANDLES

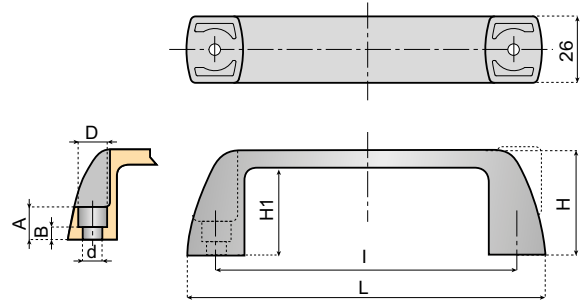
www.SystemPlastSmartGuide.com



HANDLE

Material: reinforced polyamide.

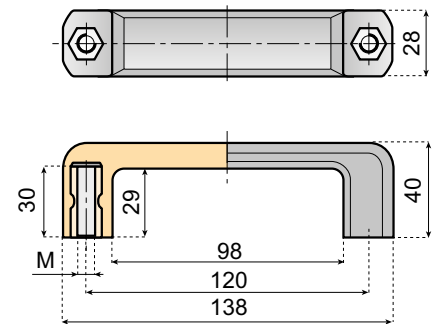
I	L	C	H	H1	A	B	D	D	ITEM DESCRIPTION	
93,5	112	21	36	30	13	6	10,5	6,5	HDL-94-R6-PAB	50
117	139	26	41	34	15	8,5	13	8,5	HDL-117-R6-PAB	
120						6			HDL-117-R8-PAB	
					10	4	10,5	6,5	HDL-120-R6-PAB	



HANDLE

Material: polyamide, threaded insert in brass.

M	ITEM DESCRIPTION	
M10	HDL-120-M10-PAB	50

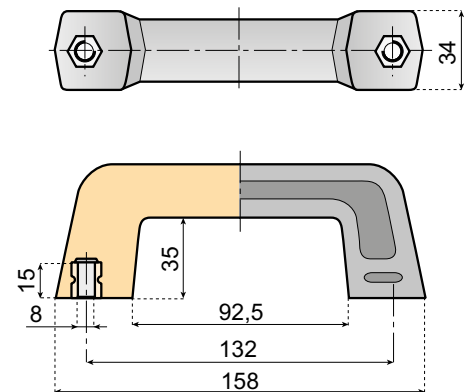


HANDLE

Material: reinforced polyamide, threaded insert in brass.

ITEM DESCRIPTION	
VG-632-M8-PAB ^{MOQ}	50

MOQ Min. order quantity: 200 pcs.

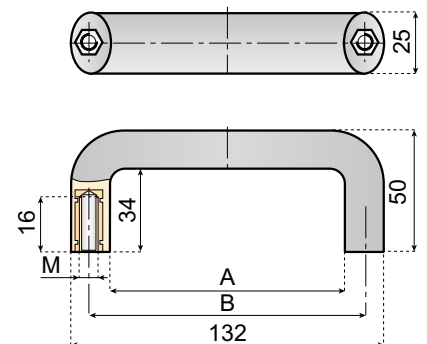


HANDLE

Material: polyamide, threaded insert in brass.

M	A	B	ITEM DESCRIPTION	
M6	100	120	HDL-120-M6-PAB	50
	99	117	HDL-117-M6-PAB ^{MOQ}	
M8	100	120	HDL-120-M8-PAB	
	99	117	HDL-117-M8-PAB ^{MOQ}	

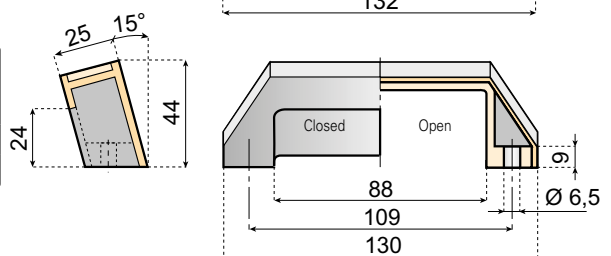
MOQ Min. order quantity: 200 pcs.



SAFETY HANDLE WITH COVER

TYPE	ITEM DESCRIPTION	
closed	FT-HDL-1-PAB ^{MOQ}	50
open	FT-HDL-1C-PAB ^{MOQ}	

MOQ Min. order quantity: 200 pcs.



Chains & sprockets	Wear strips	Side guide brackets & accessories	Levelers	Engineering manual
Modular belts & sprockets	Chain & belt return systems	Frame & structure supports	Bearing supports	
Curves & tracks	Side guide solutions	Miscellaneous products	Equipment	

5 4 5 7 0 a

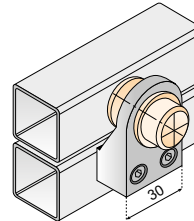
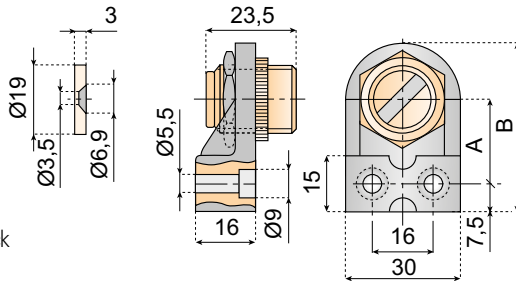
DOOR LOCKS

www.SystemPlastSmartGuide.com



MAGNETIC LOCK

Application: the magnetic lock guarantees rapid door locking. It is easy to install and can be used with various structures in different materials.

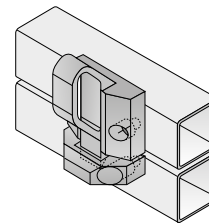
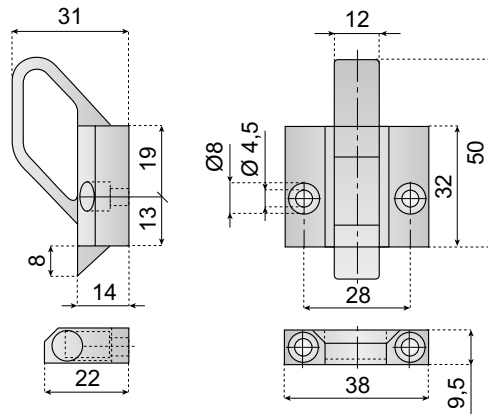


A	B	ITEM DESCRIPTION	
22,5	45	FT-MAG-45-R5	100
37	59,5	FT-MAG-60-R5	



SPRING LOADED LATCH

Application: the latch guarantees a secure locking of doors and windows, and prevents the possibility of accidental opening.



ITEM DESCRIPTION	
FT-LOCK32-R4	100

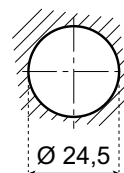
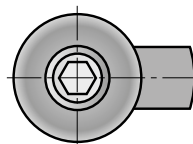
SAFETY DOOR LOCK



Material: body and safety cap in reinforced polyamide, screw, nut and spring in stainless steel AISI 304.

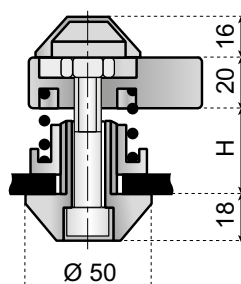
Application instructions (see drawing):

Assembly 1 for situations with dimension K is 30-36 mm.
Assembly 2 for situations with dimension K is 23-28 mm.

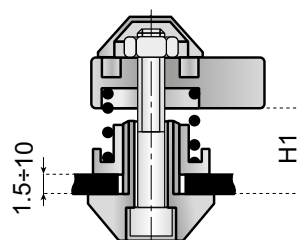


H = 30 ÷ 36 (min. - max)
H1 = 23 ÷ 28 (min. - max)

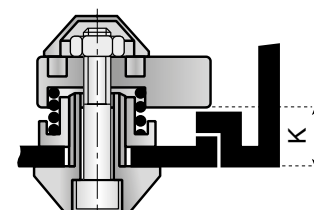
ITEM DESCRIPTION	
FT-LOCK-R24	10



ASSEMBLY N°1



ASSEMBLY N°2



Chains & sprockets	Wear strips	Side guide brackets & accessories	Levelers	Engineering manual
Modular belts & sprockets	Chain & belt return systems	Frame & structure supports	Bearing supports	
Curves & tracks	Side guide solutions	Miscellaneous products	Equipment	

54600a

KNOBBS

www.SystemPlastSmartGuide.com

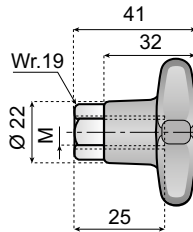
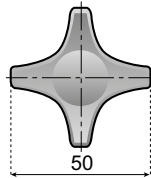
For other knobs go to:

54610a



Material: reinforced polyamide with nickel plated brass insert.

Note: max. torque on the knob 3,5 Kgm.

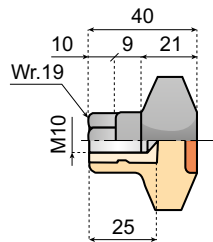
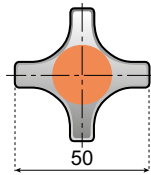


ITEM DESCRIPTION	
M8	M10
KNF-50H41-M8H	KNF-50H41-M10H



Material: reinforced polyamide, insert in brass.

Note: max. torque on the knob 2 Kgm.



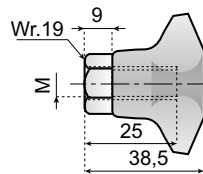
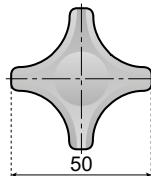
ITEM DESCRIPTION	
M10	
KNF-50H40-M10	



Material: reinforced polyamide, hexagonal insert in nickel plated brass (KNF-50H39-M10H) or brass (KNF-50H39-M6H).

Note: max. torque on the knob 2,5 Kgm.

For further tightening work on the hexagon.



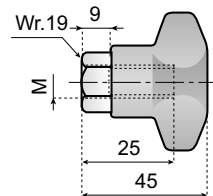
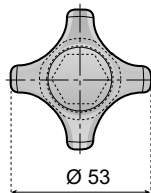
ITEM DESCRIPTION	
M6	M10
KNF-50H39-M6H	KNF-50H39-M10H



Material: reinforced polyamide, hexagonal insert in nickel plated brass.

Note: max. torque on the knob 2,5 Kgm.

For further tightening work on the hexagon.



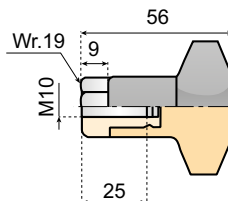
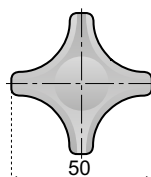
ITEM DESCRIPTION	
M10	
KNF-53H45-M10H	



Material: reinforced polyamide, hexagonal insert in nickel plated brass.

Note: max. torque on the knob 2,5 Kgm.

For further tightening work on the hexagon.



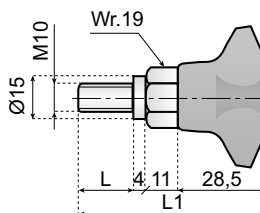
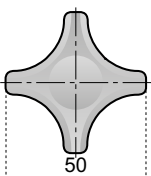
ITEM DESCRIPTION	
M10	
KNF-50H56-M10H	



Material: reinforced polyamide, hexagonal insert in nickel plated brass.

Note: max. torque on the knob 2,5 Kgm.

For further tightening work on the hexagon.



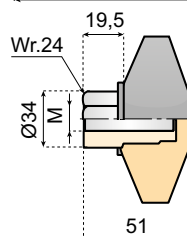
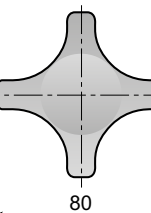
L	L1	ITEM DESCRIPTION
11,5	54	KNM-50H40-M1016H
20	62,5	KNM-50H40-M1024H
25	67,5	KNM-50H40-M1029H



Material: reinforced polyamide, hexagonal insert in nickel plated brass.

Note: max. torque on the knob 2,5 kgm.

For further tightening work on the hexagon.



ITEM DESCRIPTION	
M12	M16
KNF-80H51-M12H	KNF-80H51-M16H

Chains & sprockets	Wear strips	Side guide brackets & accessories	Levelers	Engineering manual
Modular belts & sprockets	Chain & belt return systems	Frame & structure supports	Bearing supports	
Curves & tracks	Side guide solutions	Miscellaneous products	Equipment	

5 4 6 1 0 a

KNOB

www.SystemPlastSmartGuide.com

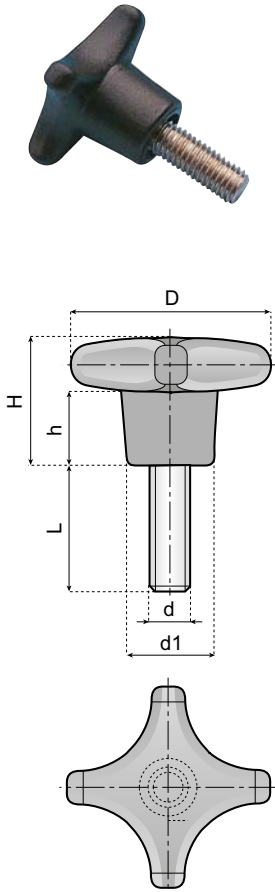
For standard knobs go to: **5 4 6 0 0 a**



STARKNOB MALE

Material: polyamide, threaded insert in stainless steel AISI 304.

Note: starknob DIN 6335.



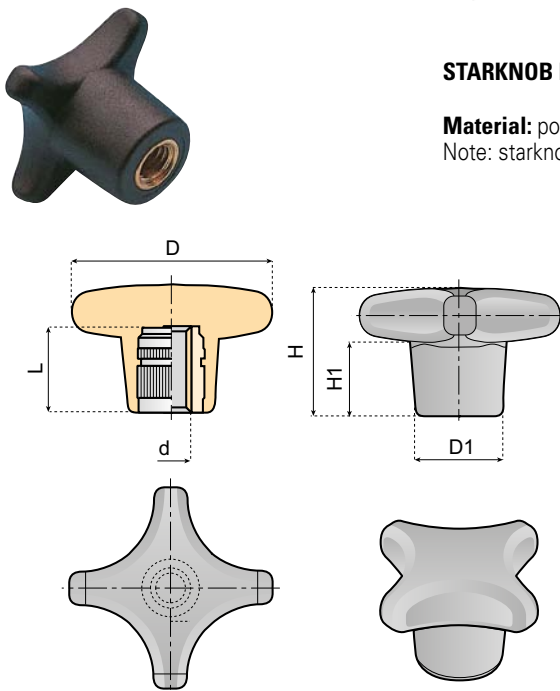
L	H	H	D1	ITEM DESCRIPTION			
				M6	M8	M10	
D=20							
10	13	7	8,5	KNM-20H13-M610 <small>mpa</small>	-	-	100
15				KNM-20H13-M615 <small>mpa</small>	-	-	
20				KNM-20H13-M620 <small>mpa</small>	-	-	
25				KNM-20H13-M625 <small>mpa</small>	-	-	
D=25							
10	16	8,5	11,5	KNM-25H16-M610 <small>mpa</small>	-	-	100
15				KNM-25H16-M615 <small>mpa</small>	-	-	
20				KNM-25H16-M620 <small>mpa</small>	-	-	
25				KNM-25H16-M625 <small>mpa</small>	-	-	
D=30							
15	20,5	11,5	14	KNM-30H21-M615 <small>mpa</small>	KNM-30H21-M815 <small>mpa</small>	-	100
20				KNM-30H21-M620 <small>mpa</small>	KNM-30H21-M820 <small>mpa</small>	-	
25				KNM-30H21-M625 <small>mpa</small>	KNM-30H21-M825 <small>mpa</small>	-	
30				KNM-30H21-M630 <small>mpa</small>	KNM-30H21-M830 <small>mpa</small>	-	
D=40							
15	25,5	14,5	17	KNM-40H26-M615 <small>mpa</small>	KNM-40H26-M815 <small>mpa</small>	-	100
20				KNM-40H26-M620 <small>mpa</small>	KNM-40H26-M820 <small>mpa</small>	KNM-40H26-M1020 <small>mpa</small>	
25				KNM-40H26-M625 <small>mpa</small>	KNM-40H26-M825 <small>mpa</small>	KNM-40H26-M1025 <small>mpa</small>	
30				KNM-40H26-M630 <small>mpa</small>	KNM-40H26-M830 <small>mpa</small>	KNM-40H26-M1030 <small>mpa</small>	
D=50							
15	32	19	22	KNM-50H32-M615 <small>mpa</small>	KNM-50H32-M815 <small>mpa</small>	-	100
20				KNM-50H32-M620 <small>mpa</small>	KNM-50H32-M820 <small>mpa</small>	KNM-50H32-M1020 <small>mpa</small>	
25				KNM-50H32-M625 <small>mpa</small>	KNM-50H32-M825 <small>mpa</small>	KNM-50H32-M1025 <small>mpa</small>	
30				KNM-50H32-M630 <small>mpa</small>	KNM-50H32-M830 <small>mpa</small>	KNM-50H32-M1030 <small>mpa</small>	

MOQ Min. order quantity: 500 pcs.

STARKNOB FEMALE

Material: polyamide, bushing in nickel plated brass.

Note: starknob DIN 6335.



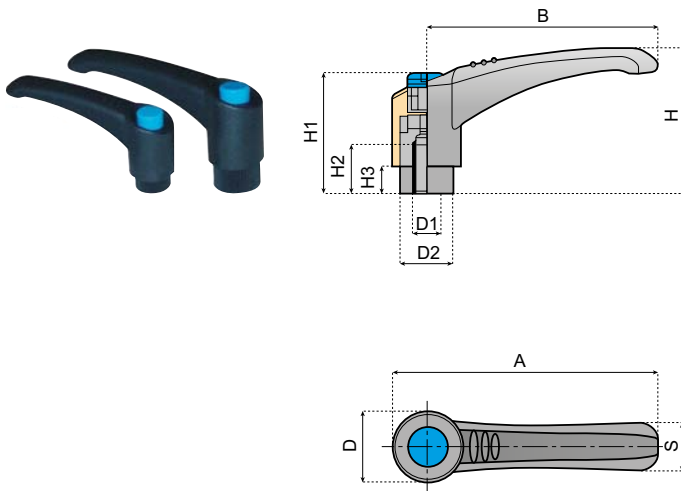
L	H	H1	D1	ITEM DESCRIPTION				
				M6	M8	M10		
D=30								
15	20,5	11,5	14	KNF-30H21-M6	KNF-30H21-M8	-	100	
D=40								
17	25,5	14,5	17	KNF-40H26-M6	KNF-40H26-M8	-		
D=50								
17	30	19	22	KNF-50H32-M6	KNF-50H32-M8	KNF-50H32-M10		

Chains & sprockets	Wear strips	Side guide brackets & accessories	Levelers	Engineering manual
Modular belts & sprockets	Chain & belt return systems	Frame & structure supports	Bearing supports	
Curves & tracks	Side guide solutions	Miscellaneous products	Equipment	



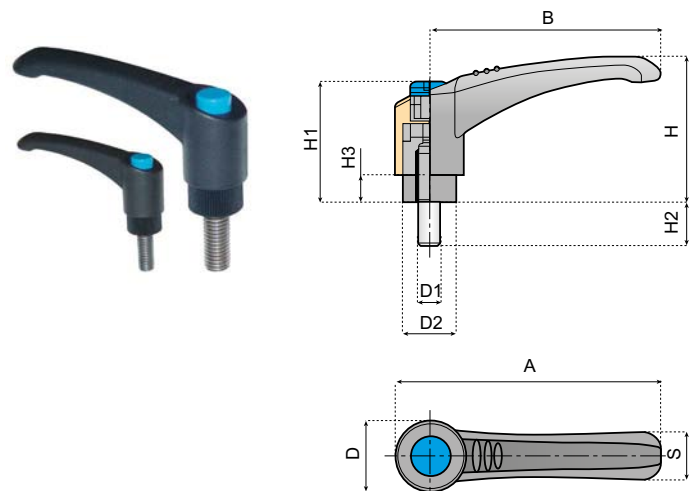
FEMALE VERSION

Material: polyamide, insert in nickel plated brass.



MALE VERSION

Material: polyamide, threaded insert in stainless steel AISI 304.



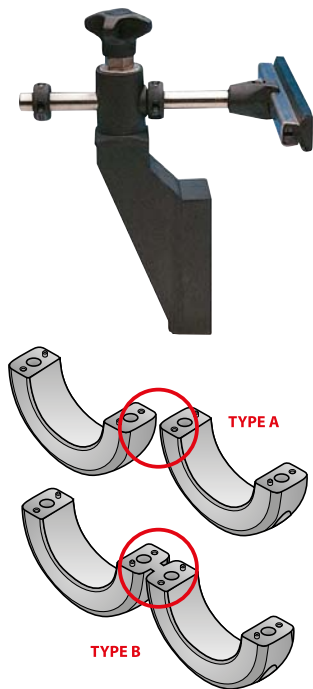
Dimensions applicable for both versions

FEMALE VERSION			
ITEM DESCRIPTION	D1	H2	
RH-45-M6-S	M6	8	
RH-65-M8-S	M8	11	
RH-80-M10-S	M10	16	

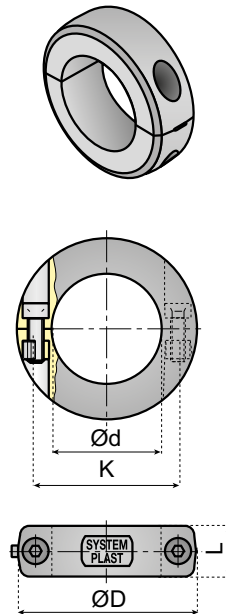
THREAD	A	B	H	D	S	D2	H1	H3
M6	53	45	33,5	16	10,5	12	29	7,5
M8	75	65	41	20	13,5	15	34	7,5
M10	92	80	53	24	16,5	20	44	7,5

MALE VERSION			
ITEM DESCRIPTION	D1	H2	
RH-45-M615-S	M6	15	
RH-45-M620-S		20	
RH-45-M630-S		30	
RH-65-M820-S	M8	20	
RH-65-M825-S		25	
RH-65-M830-S		30	
RH-65-M860-S	M10	60	
RH-80-M1025-S		25	
RH-80-M1030-S		30	

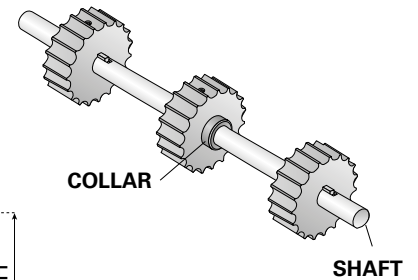
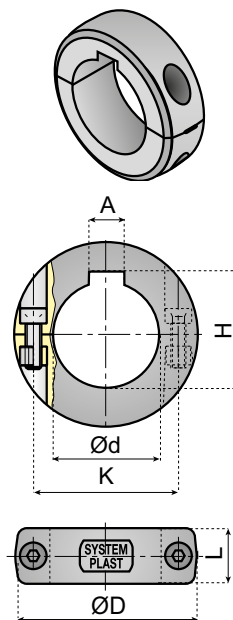
Chains & sprockets	Wear strips	Side guide brackets & accessories	Levelers	Engineering manual
Modular belts & sprockets	Chain & belt return systems	Frame & structure supports	Bearing supports	
Curves & tracks	Side guide solutions	Miscellaneous products	Equipment	



VERSION ROUND BORE

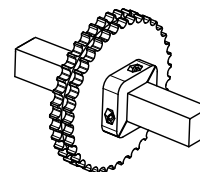
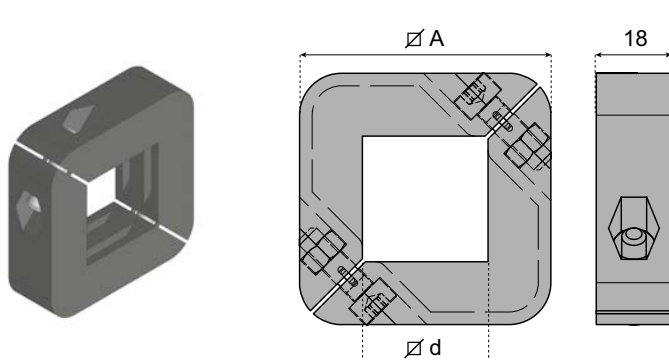


VERSION WITH KEYWAY



Ø d	Ø D	L	K	M	TYPE	VERSION ROUND BORE		VERSION WITH KEYWAY	
						ITEM DESCRIPTION	A (P9)	H (+0,2/+0)	ITEM DESCRIPTION
10	30	12	20	M3	B	VG-SC-R10M	-	-	-
12	30	12	20	M3	A	VG-SC-R12M	-	-	-
14	28	12	20	M3	A	VG-SC-R14M	-	-	-
15	39	14	27	M4	B	VG-SC-R15M	-	-	-
16	30	12	22	M3	A	VG-SC-R16M	-	-	-
18	39	14	27	M4	A	VG-SC-R18M	-	-	-
20	39	14	29	M4	A	VG-SC-R20M	-	-	-
25	45	14	34	M4	A	VG-SC-R25M	8	28,3	VG-SCK-R25M
30	50	16	39	M4	A	VG-SC-R30M	8	33,3	VG-SCK-R30M
30	49	14	39	M4	A	VG-SCL-R30M	-	-	-
35	57	16	45	M5	A	VG-SC-R35M	10	38,3	VG-SCK-R35M
40	64	18	51,5	M5	A	VG-SC-R40M	12	43,3	VG-SCK-R40M
40	64	14	51,5	M4	B	VG-SCL-R40M	-	-	-

SQUARE SPLIT SHAFT COLLAR



Ø d	Ø A	ITEM DESCRIPTION
30x30	60x60	VG-SC-S30M
40x40	72x72	VG-SC-S40M
60x60	95x95	VG-SC-S60M

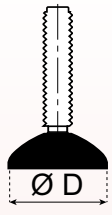




Material: reinforced polyamide, bolts in stainless steel and insert in nickel plated brass and nut in galvanized steel.

Chains & sprockets	Wear strips	Side guide brackets & accessories	Levelers	Engineering manual
Modular belts & sprockets	Chain & belt return systems	Frame & structure supports	Bearing supports	
Curves & tracks	Side guide solutions	Miscellaneous products	Equipment	

5 5 5 1 0 a

INDEX LEVELERS & TUBE ENDS

www.SystemPlastSmartGuide.com

	 <p>Articulated foot</p>	 <p>Fixed foot</p>	 <p>Sanistar by System Plast®</p>	 <p>Metal foot</p>
	<p>30 -</p> <p>40 5 5 5 2 5 a</p> <p>50 5 5 5 4 0 a</p> <p>60 5 5 5 5 5 a</p> <p>75 - 80 5 5 5 7 0 a 5 5 6 1 5 a 5 5 7 8 0 a</p> <p>100 - 125 5 5 5 8 5 a 5 5 6 0 0 a 5 5 6 1 5 a 5 5 6 4 5 a 5 5 7 9 5 a 5 5 8 1 0 a 5 5 8 2 5 a</p>	<p>5 5 7 5 0 a</p> <p>5 5 7 5 0 a</p> <p>5 5 7 5 0 a</p> <p>-</p> <p>5 5 6 6 0 a 5 5 8 4 0 a</p>	<p>-</p> <p>-</p> <p>5 5 6 7 5 a 5 5 6 9 0 a</p> <p>5 5 6 7 5 a 5 5 6 9 0 a</p>	<p>-</p> <p>-</p> <p>-</p> <p>5 5 7 2 0 a 5 5 7 0 5 a</p> <p>5 5 7 0 5 a 5 5 7 2 0 a 5 5 7 3 5 a</p>



Single Lag hole pad

5 5 6 3 0 a



Welded endplates

5 5 7 6 5 c



Bases
Ø 80-100-150-200

5 5 7 3 5 a



Threaded tube ends

5 5 7 6 5 a

General tolerance on total height L ± 2 mm



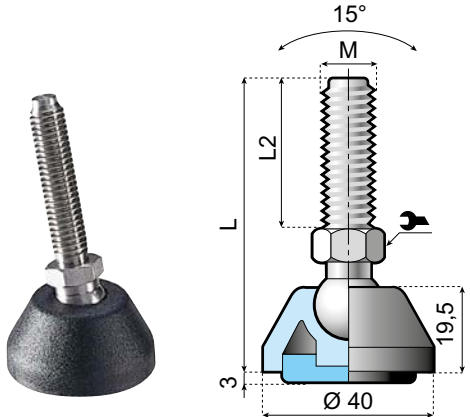
Information about this product is only available on our Smart Guide® website.

Chains & sprockets	Wear strips	Side guide brackets & accessories	Levelers	Engineering manual
Modular belts & sprockets	Chain & belt return systems	Frame & structure supports	Bearing supports	
Curves & tracks	Side guide solutions	Miscellaneous products	Equipment	

55525a

ARTICULATED FOOT Ø40 mm

www.SystemPlastSmartGuide.com

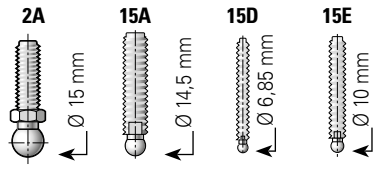


STANDARD CHOICE

SPINDLE MATERIAL	M	L mm	L2 mm	ITEM DESCRIPTION		SPINDLE TYPE		
				STANDARD	ANTI-SLIP WITH RUBBER			
Zinc Plated Steel	M8	71	43	LA40H-PM8L70	LA40H-PM8L70R	2A	14	12.000
	M10	71	43	LA40H-PM10L70	LA40H-PM10L70R			
		99	71	LA40H-PM10L100	LA40H-PM10L100R			
	M12	153	125	LA40H-PM12L155	LA40H-PM12L155R			
	M14	153	125	LA40H-PM14L155	LA40H-PM14L155R			
Stainless Steel AISI 304	M8	71	43	LA40H-SM8L70	LA40H-SM8L70R	15A	13	12.000
	M10	71	43	LA40H-SM10L70	LA40H-SM10L70R			
		99	71	LA40H-SM10L100	LA40H-SM10L100R			
	M12	99	71	LA40H-SM12L100	LA40H-SM12L100R			
		153	125	LA40H-SM12L155	LA40H-SM12L155R			
	M16	149	119	LA40-SM16L150	LA40-SM16L150R			

Base: Reinforced polyamide.

SPINDLE TYPE



ANTI-SLIP PAD

Item description:
RPAD3206



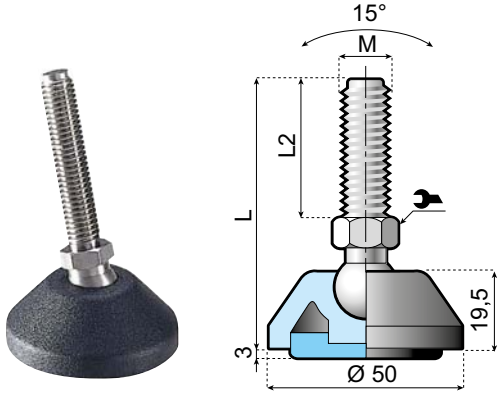
Anti-slip pad: oil resistant rubber, 55 shore hardness.

Chains & sprockets	Wear strips	Side guide brackets & accessories	Levelers	Engineering manual
Modular belts & sprockets	Chain & belt return systems	Frame & structure supports	Bearing supports	
Curves & tracks	Side guide solutions	Miscellaneous products	Equipment	

55540a

ARTICULATED FOOT Ø50 mm

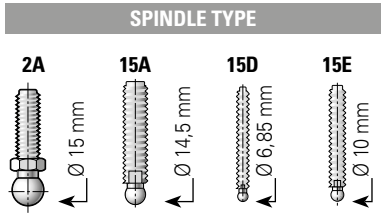
www.SystemPlastSmartGuide.com



STANDARD CHOICE

SPINDLE MATERIAL	M	L mm	L2 mm	ITEM DESCRIPTION		SPINDLE TYPE					
				STANDARD	ANTI-SLIP WITH RUBBER						
Zinc Plated Steel	M8	71	43	LA50H-PM8L70	LA50H-PM8L70R	2A	14	12.000			
				LA50H-PM10L70	LA50H-PM10L70R						
	M10	71	43	LA50H-PM10L100	LA50H-PM10L100R						
				LA50H-PM12L155	LA50H-PM12L155R						
	M12	153	125	LA50H-PM14L155	LA50H-PM14L155R						
				LA50-PM16L100	LA50-PM16L100R						
M16	149	119	LA50-PM16L150	LA50-PM16L150R	15A	13	12.000				
			LA50-PM16L190	LA50-PM16L190R							
			LA50H-SM8L70	LA50H-SM8L70R							
Stainless Steel AISI 304	M8	71	43	LA50H-SM10L70	LA50H-SM10L70R	2A	14	12.000			
				LA50H-SM12L100	LA50H-SM12L100R						
	M10	71	43	LA50H-SM12L155	LA50H-SM12L155R						
				LA50-SM16L100	LA50-SM16L100R						
	M12	153	125	LA50-SM16L150	LA50-SM16L150R				15A	13	12.000
				LA50-SM16L190	LA50-SM16L190R						
				LA50-SM16L190	LA50-SM16L190R						

Base: Reinforced polyamide.



ANTI-SLIP PAD

Item description:

RPAD4206

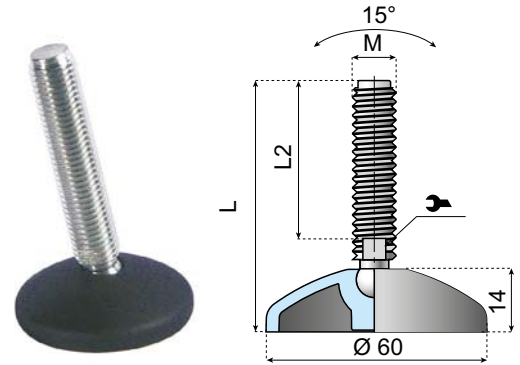
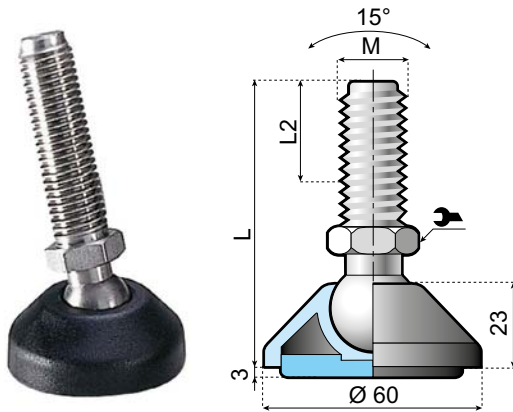
Anti-slip pad: oil resistant rubber, 55 shore hardness.

Chains & sprockets	Wear strips	Side guide brackets & accessories	Levelers	Engineering manual
Modular belts & sprockets	Chain & belt return systems	Frame & structure supports	Bearing supports	
Curves & tracks	Side guide solutions	Miscellaneous products	Equipment	

5 5 5 5 5 a

ARTICULATED FOOT Ø60 mm

www.SystemPlastSmartGuide.com



STANDARD CHOICE

ECONOMICAL CHOICE

SPINDLE MATERIAL	M	L mm	L2 mm	ITEM DESCRIPTION ASSEMBLED		SPINDLE TYPE	🔧	📦	NUT MATERIAL
				STANDARD	ANTI-SLIP WITH RUBBER				
Zinc Plated Steel	M16	94	60	LA60H-PM16L95	LA60H-PM16L95R	2B	20	15.000	●
		149	115	LA60H-PM16L150	LA60H-PM16L150R				
		179	145	LA60H-PM16L180	LA60H-PM16L180R				
		229	195	LA60H-PM16L230	LA60H-PM16L230R				
	M20	179	145	LA60H-PM20L180	LA60H-PM20L180R	2C	24	●	
	M24	236	195	LA60H-PM24L235	LA60H-PM24L235R				
Stainless Steel AISI 304	M16	94	60	LA60H-SM16L95-SN	LA60H-SM16L95R-SN	2B	19	15.000	●
		94	60	LA60H-SM16L95	LA60H-SM16L95R				
		149	115	LA60H-SM16L150	LA60H-SM16L150R				
		179	145	LA60H-SM16L180	LA60H-SM16L180R				
	M20	179	145	LA60H-SM20L180	LA60H-SM20L180R	2C	24	●	
	M24	236	195	LA60H-SM24L235	LA60H-SM24L235R				
PA.FE	M16	104	62	LA60H-NM16L105-PN	LA60H-NM16L105R-PN	3C	24	4.000	FE.ZN
		104	62	LA60H-NM16L105-SN	LA60H-NM16L105R-SN				INOX

SPINDLE MATERIAL	M	L mm	L2 mm	ITEM DESCRIPTION	SPINDLE TYPE	🔧	📦
Zinc Plated Steel	M12	115	90	LA60E-PM12L115	15E	9	9.000
		135	110	LA60E-PM12L135			
		155	130	LA60E-PM12L155			
	M16	95	70	LA60E-PM16L95	15A	13	12.000
		145	120	LA60E-PM16L145			
		185	160	LA60E-PM16L185			
M20	185	155	LA60E-PM20L185	16	12.000		
Stainless Steel AISI 304	M12	95	70	LA60E-SM12L95	15E	9	9.000
		115	90	LA60E-SM12L115			
		135	110	LA60E-SM12L135			
		155	130	LA60E-SM12L155			
	M16	95	70	LA60E-SM16L95	15A	13	12.000
		145	120	LA60E-SM16L145			
M20	185	155	LA60E-SM20L185	16	12.000		

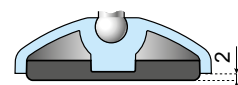
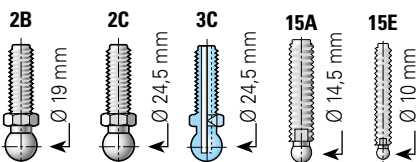
Base: Reinforced polyamide.

PA.FE Polyamide with Steel Insert

● Without Nut

Base: Reinforced polyamide.

SPINDLE TYPE



ANTI-SLIP PAD

Item description:

RPAD5306

Anti-slip pad: oil resistant rubber, 55 shore hardness.



Chains & sprockets	Wear strips	Side guide brackets & accessories	Levelers	Engineering manual
Modular belts & sprockets	Chain & belt return systems	Frame & structure supports	Bearing supports	
Curves & tracks	Side guide solutions	Miscellaneous products	Equipment	

55570a

ARTICULATED FOOT Ø80 mm

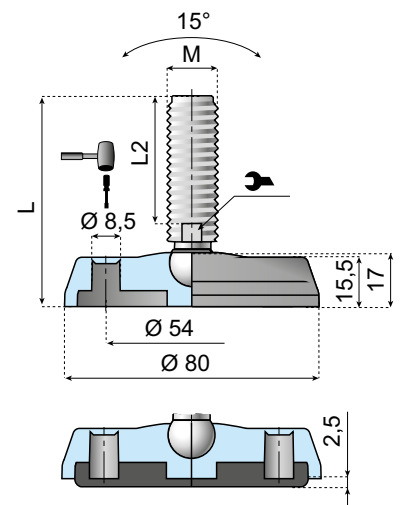
www.SystemPlastSmartGuide.com



SPINDLE MATERIAL	M	L mm	L2 mm	ITEM DESCRIPTION		SPINDLE TYPE	🔧	📦	NUT MATERIAL
				STANDARD	ANTI-SLIP WITH RUBBER				
Zinc Plated Steel	M10	95	70	LA80-02B-PM10L95	-	15D	7	10.000	●
		150	125	LA80H-02B-PM10L150-PN	LA80H-02B-PM10L150R-PN	2A	14		FE.ZN
	M12	115	90	LA80-02B-PM12L115	-	15E	9	13.000	●
		135	110	LA80-02B-PM12L135	-				●
		150	125	LA80H-02B-PM12L150-PN	LA80H-02B-PM12L150R-PN	2A	14		FE.ZN
	M14	155	130	LA80-02B-PM12L155	-	15E	9	14.000	●
		105	80	LA80-02B-PM14L105	-				●
		155	130	LA80-02B-PM14L155	-	●			
	M16	95	70	LA80-02B-PM16L95	-	15A	13	15.000	●
		95	70	LA80-02B-PM16L95-PN	LA80-02B-PM16L95R-PN				FE.ZN
		145	120	LA80-02B-PM16L145	-				●
		145	120	LA80H-02B-PM16L145-PN	LA80H-02B-PM16L145R-PN				FE.ZN
		185	160	LA80-02B-PM16L185	-				●
		185	160	LA80-02B-PM16L185-PN	LA80-02B-PM16L185R-PN				FE.ZN
M20	185	160	LA80-02B-PM20L185	LA80-02B-PM20L185R	16	18.000	●		
Stainless Steel AISI 304	M10	95	70	LA80-02B-SM10L95	-	15D	7	10.000	●
		95	70	LA80-02B-SM12L95	-	15E	9		●
	M12	95	70	LA80H-02B-SM12L95-SN	LA80H-02B-SM12L95R-SN	2A	14	13.000	INOX
		115	90	LA80-02B-SM12L115	-	15E	9		●
		135	110	LA80-02B-SM12L135	-				●
	M16	150	125	LA80H-02B-SM12L150-SN	LA80H-02B-SM12L150R-SN	2A	14	15.000	INOX
		155	130	LA80-02B-SM12L155	-	15E	9		●
		95	70	LA80-02B-SM16L95	-				●
	M16	95	70	LA80-02B-SM16L95-SN	LA80-02B-SM16L95R-SN	15A	13	15.000	INOX
		145	120	LA80-02B-SM16L145	-				●
		145	120	LA80H-02B-SM16L145-SN	LA80H-02B-SM16L145R-SN				INOX
		185	160	LA80-02B-SM16L185	-				●
		185	160	LA80-02B-SM16L185-SN	LA80-02B-SM16L185R-SN				INOX
		205	180	LA80-02B-SM16L205	-				●

Base: Reinforced polyamide.

● Without Nut

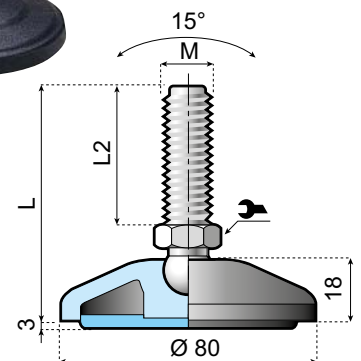


Characteristics:

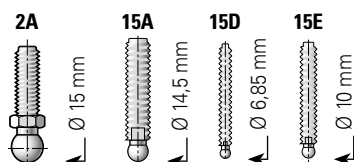
The foot can be fixed to the floor by opening the signs marked on the base.

SPINDLE MATERIAL	M	L mm	L2 mm	ITEM DESCRIPTION		SPINDLE TYPE	🔧	📦
				STANDARD	ANTI-SLIP WITH RUBBER			
Zinc Plated Steel	M10	100	70	LA80H-PM10L100	LA80H-PM10L100R	2A	14	15.000
	M12	150	125	LA80H-PM12L150	LA80H-PM12L150R			
	M14	150	125	LA80H-PM14L150	LA80H-PM14L150R			
	M16	95	70	LA80-PM16L95	LA80-PM16L95R	15A	13	
		145	120	LA80-PM16L145	LA80-PM16L145R			
Stainless Steel AISI 304	M10	100	70	LA80H-SM10L100	LA80H-SM10L100R	2A	14	15.000
	M12	95	70	LA80H-SM12L95	LA80H-SM12L95R			
		150	125	LA80H-SM12L150	LA80H-SM12L150R			
	M16	95	70	LA80-SM16L95	LA80-SM16L95R	15A	13	
		145	120	LA80-SM16L145	LA80-SM16L145R			

Base: Reinforced polyamide.



SPINDLE TYPE



Information about this product is only available on our Smart Guide® website.



Also available with solid base.

Go to:

55780a

ANTI-SLIP PAD

Item description:

RPAD7207

Anti-slip pad: oil resistant rubber, 55 shore hardness.



Chains & sprockets	Wear strips	Side guide brackets & accessories	Levelers	Engineering manual
Modular belts & sprockets	Chain & belt return systems	Frame & structure supports	Bearing supports	
Curves & tracks	Side guide solutions	Miscellaneous products	Equipment	

55585a

ARTICULATED FOOT Ø100 mm WITH HOLES

www.SystemPlastSmartGuide.com



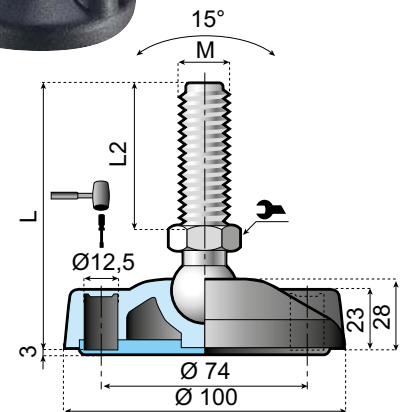
Characteristics:

The foot can be fixed to the floor by opening the signs marked on the base.

STANDARD CHOICE

SPINDLE MATERIAL	M	L mm	L2 mm	ITEM DESCRIPTION		SPINDLE TYPE	🔧	📦
				STANDARD	ANTI-SLIP WITH RUBBER			
Zinc Plated Steel	M16	99	60	LA100H-02B-PM16L100	LA100H-02B-PM16L100R	2B	20	18.000
		154	115	LA100H-02B-PM16L155	LA100H-02B-PM16L155R			
		184	145	LA100H-02B-PM16L185	LA100H-02B-PM16L185R			
		234	195	LA100H-02B-PM16L235	LA100H-02B-PM16L235R			
	M20	124	85	LA100H-02B-PM20L125	LA100H-02B-PM20L125R			
		154	115	LA100H-02B-PM20L155	LA100H-02B-PM20L155R			
		184	145	LA100H-02B-PM20L185	LA100H-02B-PM20L185R			
		234	195	LA100H-02B-PM20L235	LA100H-02B-PM20L235R			
		M24	190	145	LA100H-02B-PM24L190			
Stainless Steel AISI 304	M16	99	60	LA100H-02B-SM16L100	LA100H-02B-SM16L100R	2B	19	18.000
		154	115	LA100H-02B-SM16L155	LA100H-02B-SM16L155R			
		184	145	LA100H-02B-SM16L185	LA100H-02B-SM16L185R			
		234	195	LA100H-02B-SM16L235	LA100H-02B-SM16L235R			
	M20	124	85	LA100H-02B-SM20L125	LA100H-02B-SM20L125R			
		154	115	LA100H-02B-SM20L155	LA100H-02B-SM20L155R			
		184	145	LA100H-02B-SM20L185	LA100H-02B-SM20L185R			
		234	195	LA100H-02B-SM20L235	LA100H-02B-SM20L235R			
		M24	160	115	LA100H-02B-SM24L160			
PA.FE	M16	109	62	LA100H-02B-NM16L110	LA100H-02B-NM16L110R	3C	24	4.000

Base: Reinforced polyamide.
PA.FE Polyamide with Steel Insert



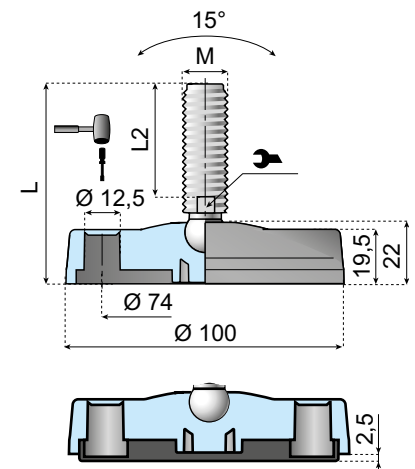
Characteristics:

The foot can be fixed to the floor by opening the signs marked on the base.

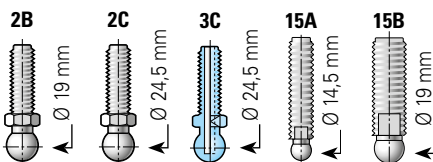
ECONOMICAL CHOICE

SPINDLE MATERIAL	M	L mm	L2 mm	ITEM DESCRIPTION	SPINDLE TYPE	🔧	📦
Zinc Plated Steel	M16	100	70	LA100E-02B-PM16L100	15A	13	12.000
		150	120	LA100E-02B-PM16L150			
		190	160	LA100E-02B-PM16L190			
		210	180	LA100E-02B-PM16L210			
	M20	145	115	LA100E-02B-PM20L145			
Stainless Steel AISI 304	M16	100	70	LA100E-02B-SM16L100	15A	13	12.000
		150	120	LA100E-02B-SM16L150			
		190	160	LA100E-02B-SM16L190			
		210	180	LA100E-02B-SM16L210			
	M20	145	115	LA100E-02B-SM20L145			
		190	160	LA100E-02B-SM20L190			
		220	190	LA100E-02B-SM20L220			

Base: Reinforced polyamide.



SPINDLE TYPE



ANTI-SLIP PAD

Item description:

RPAD9308

Anti-slip pad: oil resistant rubber, 55 shore hardness.

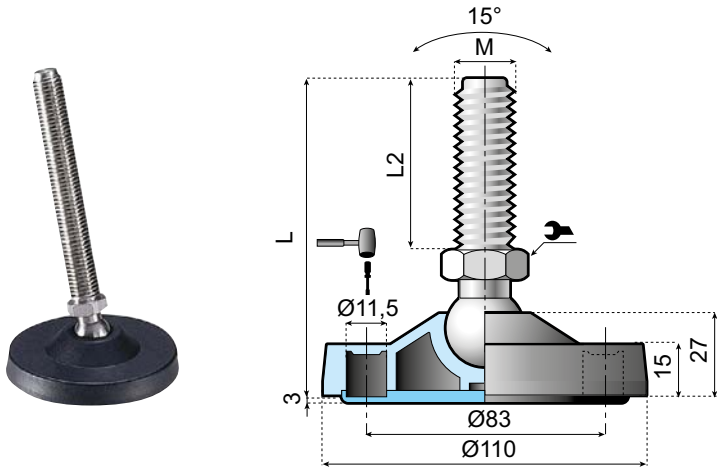


Chains & sprockets	Wear strips	Side guide brackets & accessories	Levelers	Engineering manual
Modular belts & sprockets	Chain & belt return systems	Frame & structure supports	Bearing supports	
Curves & tracks	Side guide solutions	Miscellaneous products	Equipment	

55600a

ARTICULATED FOOT Ø110 mm WITH HOLES

www.SystemPlastSmartGuide.com



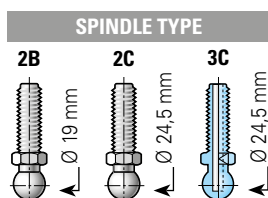
Characteristics:

The foot can be fixed to the floor by opening the signs marked on the base.

SPINDLE MATERIAL	M	L mm	L2 mm	ITEM DESCRIPTION		SPINDLE TYPE			NUT MATERIAL
				STANDARD	ANTI-SLIP WITH RUBBER				
Zinc Plated Steel	M16	153	115	LA110H-02B-PM16L155	LA110H-02B-PM16L155R	2B	20	15.000	FE.ZN
		183	145	LA110H-02B-PM16L185	LA110H-02B-PM16L185R				
		233	195	LA110H-02B-PM16L235	LA110H-02B-PM16L235R				
	M20	153	115	LA110H-02B-PM20L155	LA110H-02B-PM20L155R				
		183	145	LA110H-02B-PM20L185	LA110H-02B-PM20L185R				
		233	195	LA110H-02B-PM20L235	LA110H-02B-PM20L235R				
M24	190	145	LA110H-02B-PM24L190	LA110H-02B-PM24L190R	2C	24	18.000	●	
	240	195	LA110H-02B-PM24L240	LA110H-02B-PM24L240R					
Stainless Steel AISI 304	M16	153	115	LA110H-02B-SM16L155	LA110H-02B-SM16L155R	2B	19	15.000	INOX
		183	145	LA110H-02B-SM16L185	LA110H-02B-SM16L185R				
		233	195	LA110H-02B-SM16L235	LA110H-02B-SM16L235R				
	M20	153	115	LA110H-02B-SM20L155	LA110H-02B-SM20L155R				
		183	145	LA110H-02B-SM20L185	LA110H-02B-SM20L185R				
		233	195	LA110H-02B-SM20L235	LA110H-02B-SM20L235R				
M24	190	145	LA110H-02B-SM24L190	LA110H-02B-SM24L190R	2C	24	18.000	●	
	240	195	LA110H-02B-SM24L240	LA110H-02B-SM24L240R					

Base: Reinforced polyamide.

● Without Nut



ANTI-SLIP PAD

Item description:

RPAD10108

Anti-slip pad: oil resistant rubber, 55 shore hardness.

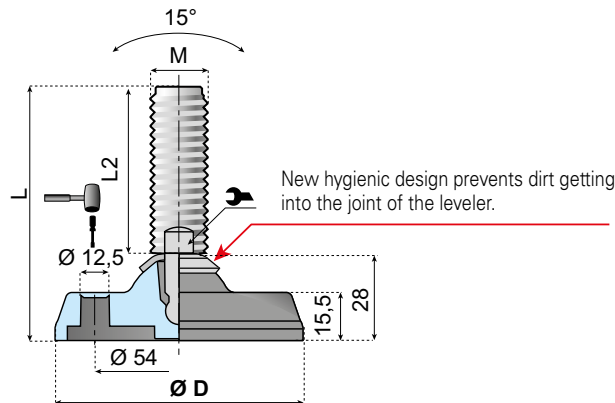


Chains & sprockets	Wear strips	Side guide brackets & accessories	Levelers	Engineering manual
Modular belts & sprockets	Chain & belt return systems	Frame & structure supports	Bearing supports	
Curves & tracks	Side guide solutions	Miscellaneous products	Equipment	

5 5 6 1 5 a

ARTICULATED FOOT Ø80 / 100 / 120 mm WITH HOLES

www.SystemPlastSmartGuide.com



Characteristics:

The foot can be fixed to the floor by opening the signs marked on the base.

Ø D.80

SPINDLE MATERIAL	M	L mm	L2 mm	ITEM DESCRIPTION	SPINDLE TYPE		
Stainless Steel AISI 304	M12	98	70	LAS80-02B-SM12L100	18	9	13.000
		128	100	LAS80-02B-SM12L130			
	M16	98	70	LAS80-02B-SM16L100			
		168	140	LAS80-02B-SM16L170			
M20	168	140	LAS80-02B-SM20L170	16			

Ø D.100

SPINDLE MATERIAL	M	L mm	L2 mm	ITEM DESCRIPTION	SPINDLE TYPE		
Stainless Steel AISI 304	M16	103	70	LAS100-02B-SM16L105	18	13	15.000
		173	140	LAS100-02B-SM16L175			
	M20	173	140	LAS100-02B-SM20L175		16	

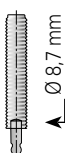
Ø D.120

SPINDLE MATERIAL	M	L mm	L2 mm	ITEM DESCRIPTION	SPINDLE TYPE		
Stainless Steel AISI 304	M16	103	70	LAS120-02B-SM16L105	18	13	18.000
		173	140	LAS120-02B-SM16L175			
	M20	173	140	LAS120-02B-SM20L175		16	

Base: Reinforced polyamide.

SPINDLE TYPE

18



ANTI-SLIP PAD



Item description:

RPAD7207	for foot Ø D.80
RPAD9308	for foot Ø D.100
RPAD11207	for foot Ø D.120

Anti-slip pad: oil resistant rubber, 55 shore hardness.

Chains & sprockets	Wear strips	Side guide brackets & accessories	Levelers	Engineering manual
Modular belts & sprockets	Chain & belt return systems	Frame & structure supports	Bearing supports	
Curves & tracks	Side guide solutions	Miscellaneous products	Equipment	

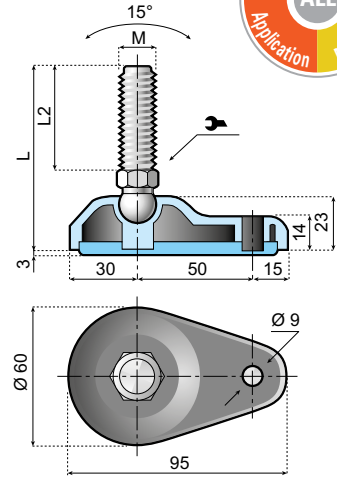
55630a

ARTICULATED FOOT - SINGLE LAG HOLE PAD

www.SystemPlastSmartGuide.com



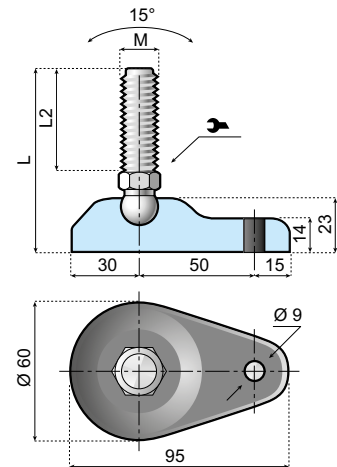
SPINDLE MATERIAL	M	L mm	L2 mm	ITEM DESCRIPTION		SPINDLE TYPE	Wrench icon	Nut icon	NUT MATERIAL
				STANDARD	ANTI-SLIP WITH RUBBER				
Zinc Plated Steel	M10	103	71	LA60H-01-PM10L105	-	2A	14	15.000	FE.ZN
		157	125	LA60H-01-PM10L155	-				
	M12	157	125	LA60H-01-PM12L155	LA60H-01-PM12L155R				
	M14	157	125	LA60H-01-PM14L155	-				
	M16	103	69	LA60-01-PM16L105	LA60-01-PM16L105R				
		153	119	LA60-01-PM16L155	-				
		193	159	LA60-01-PM16L195	-				
SS AISI 304	M16	103	69	LA60-01-SM16L105	LA60-01-SM16L105R	15A	13	15.000	INOX
		153	119	LA60-01-SM16L155	LA60-01-SM16L155R				
		193	159	LA60-01-SM16L195	-				



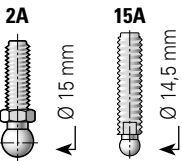
Solid base series:

The solid base will help equipment builders meet the requirements of the USDA and other government agencies, related to the prevention of contamination of food products and the growth of bacteria.

SPINDLE MATERIAL	M	L mm	L2 mm	ITEM DESCRIPTION	SPINDLE TYPE	Wrench icon	Nut icon
Zinc Plated Steel	M16	103	69	LA60S-01-PM16L105	15A	13	22.000
		153	119	LA60S-01-PM16L155			
		193	159	LA60S-01-PM16L195			
SS AISI 304	M16	103	69	LA60S-01-SM16L105	15A	13	22.000
		193	159	LA60S-01-SM16L195			



SPINDLE TYPE



ANTI-SLIP PAD



Item description:

RPAD5207

Anti-slip pad: oil resistant rubber, 55 shore hardness.

FIXED FOOT - SINGLE LAG HOLE PAD

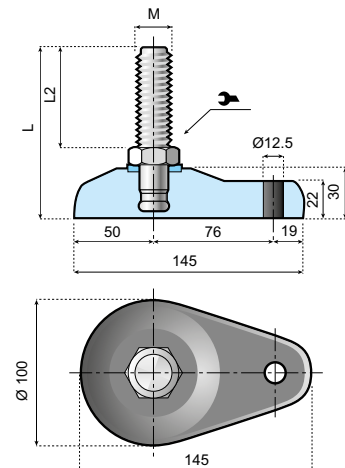
Solid base series

The solid base will help equipment builders meet the requirements of the USDA and other government agencies, related to the prevention of contamination of food products and the growth of bacteria.

SPINDLE MATERIAL	M	L mm	L2 mm	ITEM DESCRIPTION	SPINDLE TYPE	Wrench icon	Nut icon
Zinc Plated Steel	M20	188	147	LAF100SH-01-PM20L190	13	22	55.000
		188	147	-			
	M24	238	197	LAF100SH-01-PM24L240			
SS	M20	188	147	LAF100SH-01-SM20L190	13	22	55.000

SS Stainless Steel AISI 304

SPINDLE TYPE



Chains & sprockets	Wear strips	Side guide brackets & accessories	Levelers	Engineering manual
Modular belts & sprockets	Chain & belt return systems	Frame & structure supports	Bearing supports	
Curves & tracks	Side guide solutions	Miscellaneous products	Equipment	

5 5 6 4 5 a

ARTICULATED FOOT Ø120 / 123 MM WITH HOLES

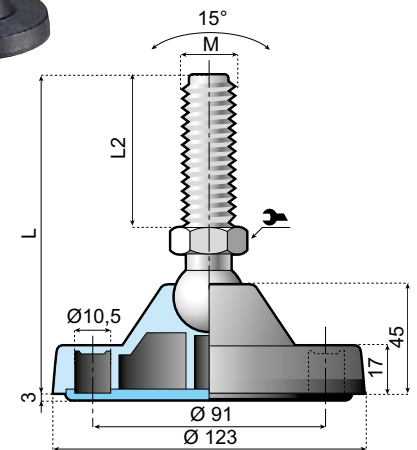
www.SystemPlastSmartGuide.com

Characteristics:

The foot can be fixed to the floor by opening the signs marked on the base.

Ø D.123 STANDARD CHOICE

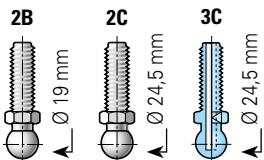
SPINDLE MATERIAL	M	L mm	L2 mm	ITEM DESCRIPTION ASSEMBLED		SPINDLE TYPE	⚙️	📦
				STANDARD	ANTI-SLIP WITH RUBBER			
Zinc Plated Steel	M16	171	115	LA123H-02B-PM16L170	LA123H-02B-PM16L170R	2B	20	25.000
		251	195	LA123H-02B-PM16L250	LA123H-02B-PM16L250R			
	M20	141	85	LA123H-02B-PM20L140	LA123H-02B-PM20L140R			
		171	115	LA123H-02B-PM20L170	LA123H-02B-PM20L170R			
	M24	201	145	LA123H-02B-PM20L200	LA123H-02B-PM20L200R			
		251	195	LA123H-02B-PM20L250	LA123H-02B-PM20L250R			
Stainless Steel AISI 304	M16	176	115	LA123H-02B-PM24L175	LA123H-02B-PM24L175R	2C	24	25.000
		206	145	LA123H-02B-PM24L205	LA123H-02B-PM24L205R			
		256	195	LA123H-02B-PM24L255	LA123H-02B-PM24L255R			
	M20	171	115	LA123H-02B-SM16L170	LA123H-02B-SM16L170R	2B	19	
		201	145	LA123H-02B-SM16L200	LA123H-02B-SM16L200R			
		251	195	LA123H-02B-SM16L250	LA123H-02B-SM16L250R			
	M24	141	85	LA123H-02B-SM20L140	LA123H-02B-SM20L140R	2C	24	
		171	115	LA123H-02B-SM20L170	LA123H-02B-SM20L170R			
		201	145	LA123H-02B-SM20L200	LA123H-02B-SM20L200R			
		251	195	LA123H-02B-SM20L250	LA123H-02B-SM20L250R			
		146	85	LA123H-02B-SM24L145	LA123H-02B-SM24L145R			
		176	115	LA123H-02B-SM24L175	LA123H-02B-SM24L175R			
206	145	LA123H-02B-SM24L205	LA123H-02B-SM24L205R					
256	195	LA123H-02B-SM24L255	LA123H-02B-SM24L255R					



Base: Reinforced polyamide.

PA.FE Polyamide with Steel Insert

SPINDLE TYPE



ANTI-SLIP PAD

Item description:

RPAD12208

Anti-slip pad: oil resistant rubber, 55 shore hardness.



Characteristics:

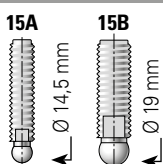
The foot can be fixed to the floor by opening the signs marked on the base.

Ø D.120 ECONOMICAL CHOICE

SPINDLE MATERIAL	M	L mm	L2 mm	ITEM DESCRIPTION ASSEMBLED	SPINDLE TYPE	⚙️	📦
Zinc Plated Steel	M16	100	70	LA120E-02B-PM16L100	15A	13	18.000
		150	120	LA120E-02B-PM16L150			
	M20	145	115	LA120E-02B-PM20L145			
		190	160	LA120E-02B-PM20L190			
Stainless Steel AISI 304	M16	220	190	LA120E-02B-PM20L220	15A	13	18.000
		100	70	LA120E-02B-SM16L100			
		150	120	LA120E-02B-SM16L150			
		190	160	LA120E-02B-SM16L190			
	M20	210	180	LA120E-02B-SM16L210	15A	16	20.000
		145	115	LA120E-02B-SM20L145			
		190	160	LA120E-02B-SM20L190			
		220	190	LA120E-02B-SM20L220			

Base: Reinforced polyamide.

SPINDLE TYPE

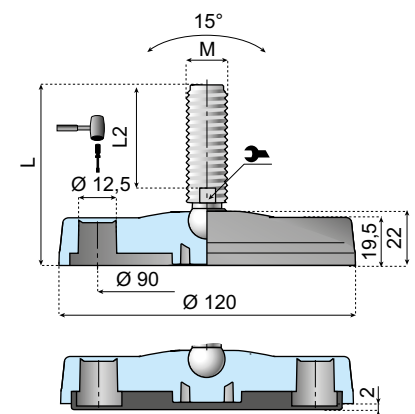


ANTI-SLIP PAD

Item description:

RPAD11207

Anti-slip pad: oil resistant rubber, 55 shore hardness.



Chains & sprockets	Wear strips	Side guide brackets & accessories	Levelers	Engineering manual
Modular belts & sprockets	Chain & belt return systems	Frame & structure supports	Bearing supports	
Curves & tracks	Side guide solutions	Miscellaneous products	Equipment	

5 5 6 6 0 a

FIXED FOOT Ø123 mm WITH HOLES

www.SystemPlastSmartGuide.com

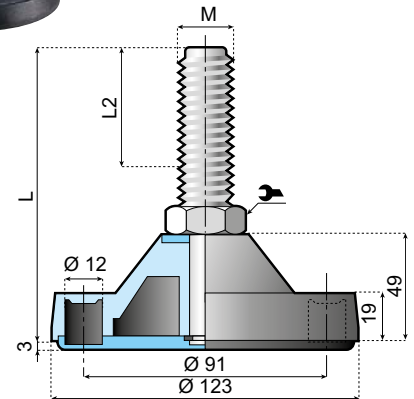


Characteristics:

The foot can be fixed to the floor by opening the signs marked on the base.

SPINDLE MATERIAL	M	L mm	L2 mm	ITEM DESCRIPTION ASSEMBLED		SPINDLE TYPE	🔧	📦
				STANDARD	ANTI-SLIP WITH RUBBER			
Zinc Plated Steel	M16	156	98	LAF123H-02B-PM16L155	LAF123H-02B-PM16L155R	6B	22	30.000
		206	148	LAF123H-02B-PM16L205	LAF123H-02B-PM16L205R			
	M20	156	98	LAF123H-02B-PM20L155	LAF123H-02B-PM20L155R			
		212	154	LAF123H-02B-PM20L210	LAF123H-02B-PM20L210R			
		256	198	LAF123H-02B-PM20L255	LAF123H-02B-PM20L255R			
	M30	256	198	LAF123H-02B-PM30L255	LAF123H-02B-PM30L255R			
Stainless Steel AISI 304	M20	156	98	LAF123H-02B-SM20L155	LAF123H-02B-SM20L155R	6B	22	30.000
		206	148	LAF123H-02B-SM20L205	LAF123H-02B-SM20L205R			
		256	198	LAF123H-02B-SM20L255	LAF123H-02B-SM20L255R			
	M24	206	148	LAF123H-02B-SM24L206	LAF123H-02B-SM24L206R			

Base: Reinforced polyamide.

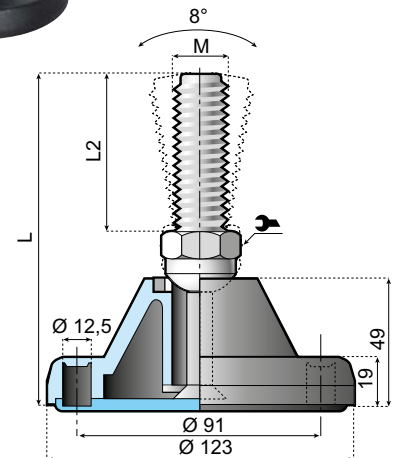


Characteristics:

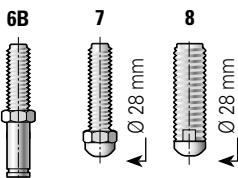
The foot can be fixed to the floor by opening the signs marked on the base.

SPINDLE MATERIAL	M	L mm	L2 mm	ITEM DESCRIPTION ASSEMBLED		SPINDLE TYPE	🔧	📦
				STANDARD	ANTI-SLIP WITH RUBBER			
Zinc Plated Steel	M20	203	135	LAX123H-02B-PM20L205	LAX123H-02B-PM20L205R	7	24	30.000
	M30	193	125	LAX123-02B-PM30L195	LAX123-02B-PM30L195R	8	24	
		253	185	LAX123-02B-PM30L255	LAX123-02B-PM30L255R			
Stainless Steel AISI 304	M20	203	135	LAX123H-02B-SM20L205	LAX123H-02B-SM20L205R	7	24	30.000
	M30	253	185	LAX123-02B-SM24L255	LAX123-02B-SM24L255R	8	24	
		193	125	LAX123-02B-SM30L195	LAX123-02B-SM30L195R			
		253	185	LAX123-02B-SM30L255	LAX123-02B-SM30L255R			

Base: Reinforced polyamide.



SPINDLE TYPE



Information about this product is only available on our Smart Guide® website.

These levelers can also be supplied with open holes.
Go to:

5 5 8 4 0 a

ANTI-SLIP PAD

Item description:
RPAD12208

Anti-slip pad: oil resistant rubber, 55 shore hardness.



Chains & sprockets	Wear strips	Side guide brackets & accessories	Levelers	Engineering manual
Modular belts & sprockets	Chain & belt return systems	Frame & structure supports	Bearing supports	
Curves & tracks	Side guide solutions	Miscellaneous products	Equipment	



Ø D.50

Ø D	H mm		M		L mm	L2 mm	ITEM DESCRIPTION
50	21	3.000	M10	7	75	53	LSS50-SM10L75
					125	103	LSS50-SM10L125
			M12	9	95	78	LSS50-SM12L95
					155	138	LSS50-SM12L155
			M16	13	100	78	LSS50-SM16L100
					140	118	LSS50-SM16L150
210	188	LSS50-SM16L210					

Ø D.75

75	23	8.000	M10	7	75	53	LSS75-SM10L75
					125	103	LSS75-SM10L125
			M12	9	100	78	LSS75-SM12L100
					160	138	LSS75-SM12L160
			M14	11	160	138	LSS75-SM14L160
					100	78	LSS75-SM16L100
M16	13	140	118	LSS75-SM16L140			
		210	188	LSS75-SM16L210			

Ø D.100

100	30	20.000	M16	13	105	78	LSS100-SM16L105
					145	118	LSS100-SM16L145
			M20	16	215	188	LSS100-SM16L215
					155	123	LSS100-SM20L155
			M24	19	230	198	LSS100-SM20L230
					165	133	LSS100-SM24L165
205	173	LSS100-SM24L205					

Ø D.125

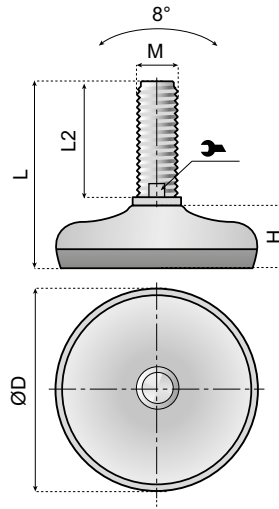
125	32	30.000	M16	13	110	78	LSS125-SM16L110
					150	118	LSS125-SM16L150
			M20	16	220	188	LSS125-SM16L220
					155	123	LSS125-SM20L155
			M24	19	230	198	LSS125-SM20L230
					165	133	LSS125-SM24L165
205	173	LSS125-SM24L205					

Ø D.75

Ø D	I mm	H mm		M		L mm	L2 mm	ITEM DESCRIPTION
75	52.5	23	8.000	M10	7	75	53	LSS75-01-SM10L75
						125	103	LSS75-01-SM10L125
				M12	9	100	78	LSS75-01-SM12L100
						160	138	LSS75-01-SM12L160
				M16	13	100	78	LSS75-01-SM16L100
						140	118	LSS75-01-SM16L140
210	188	LSS75-01-SM16L210						

Ø D.100

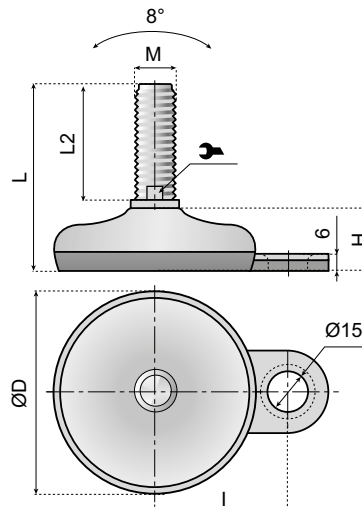
Ø D	I mm	H mm		M		L mm	L2 mm	ITEM DESCRIPTION
100	65	30	20.000	M16	13	105	78	LSS100-01-SM16L105
						145	118	LSS100-01-SM16L145
				M20	16	215	188	LSS100-01-SM16L215
						155	123	LSS100-01-SM20L155
				M24	19	230	198	LSS100-01-SM20L230
						165	133	LSS100-01-SM24L165
205	173	LSS100-01-SM24L205						



Material, spindle and washer: Stainless Steel AISI 304

Base: Stainless Steel AISI 304 + vulcanized rubber.

Rubber: 70 shore hardness.



With fixing hole

Material, spindle and washer: Stainless Steel AISI 304

Base: Stainless Steel AISI 304 + vulcanized rubber.

Rubber: 70 shore hardness.

Chains & sprockets	Wear strips	Side guide brackets & accessories	Levelers	Engineering manual
Modular belts & sprockets	Chain & belt return systems	Frame & structure supports	Bearing supports	
Curves & tracks	Side guide solutions	Miscellaneous products	Equipment	

55690a

FIXED FOOT Ø75 / 100 / 125 mm WITH THREAD COVER

www.SystemPlastSmartGuide.com



Material, spindle and washer: Stainless Steel AISI 304

Base: Stainless Steel AISI 304 + vulcanized rubber.

Rubber: 55 shore hardness.

Ø D.75

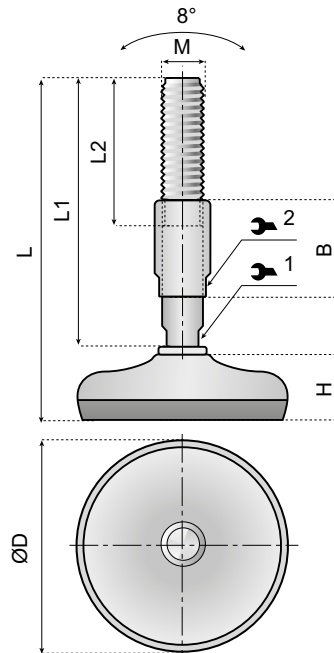
Ø D	H mm		M	L mm	L1 mm	L2 mm	B mm	ITEM DESCRIPTION ASSEMBLED
75	23	8.000	M16	235	210	130	85	LSSC75-SM16L235
			M20	235	210	130	85	LSSC75-SM20L235
			M24	185	160	110	55	LSSC75-SM24L185

Ø D.100

Ø D	H mm		M	L mm	L1 mm	L2 mm	B mm	ITEM DESCRIPTION ASSEMBLED
100	30	20.000	M16	240	210	85	85	LSSC100-SM16L240
			M20	240	210	130	85	LSSC100-SM20L240
			M24	190	160	110	55	LSSC100-SM24L190

Ø D.125

Ø D	H mm		M	L mm	L1 mm	L2 mm	B mm	ITEM DESCRIPTION ASSEMBLED
125	32	30.000	M16	245	210	130	85	LSSC125-SM16L245
			M20	245	210	130	85	LSSC125-SM20L245
			M24	195	160	110	55	LSSC125-SM24L195



M		
M16	13	19
M20	16	24
M24	19	27

Ø D.75

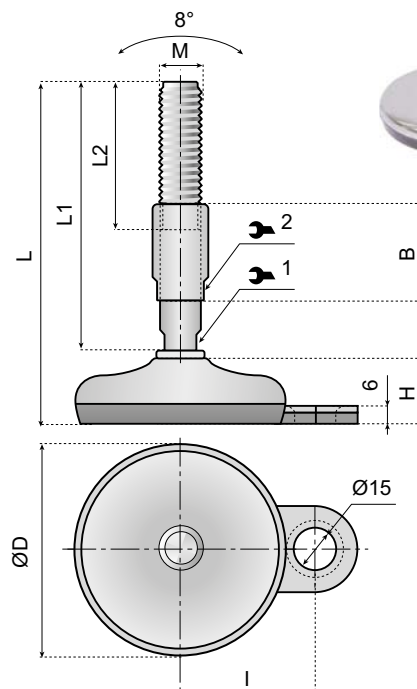
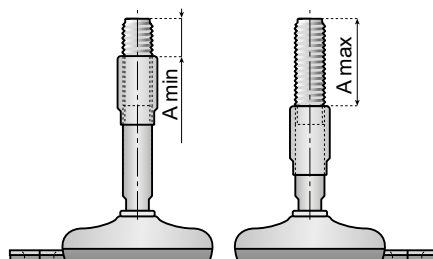
Ø D	I mm	H mm		M	L mm	L1 mm	L2 mm	B mm	ITEM DESCRIPTION
75	52.5	23	8.000	M16	235	210	130	85	LSSC75-01-SM16L235
				M20	235	210	130	85	LSSC75-01-SM20L235
				M24	185	160	110	55	LSSC75-01-SM24L185

Ø D.100

Ø D	I mm	H mm		M	L mm	L1 mm	L2 mm	B mm	ITEM DESCRIPTION
100	65	30	20.000	M16	240	210	130	85	LSSC100-01-SM16L240
				M20	240	210	130	85	LSSC100-01-SM20L240
				M24	190	160	110	55	LSSC100-01-SM24L190

ADJUSTMENT RANGE

	A MIN	A MAX
L1 = 160 B = 55	56,6	95,4
L1 = 210 B = 85	45,6	114,5



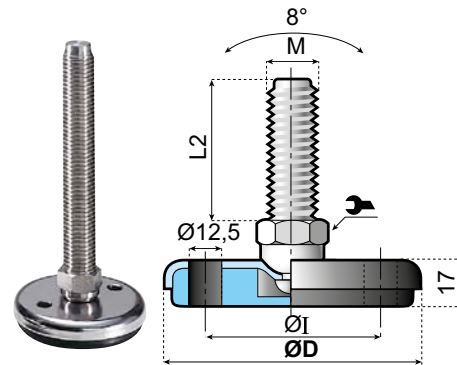
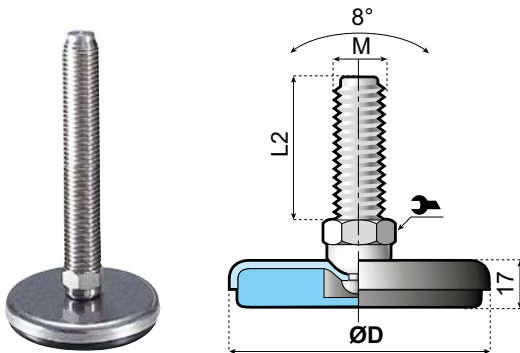
Chains & sprockets	Wear strips	Side guide brackets & accessories	Levelers	Engineering manual
Modular belts & sprockets	Chain & belt return systems	Frame & structure supports	Bearing supports	
Curves & tracks	Side guide solutions	Miscellaneous products	Equipment	



55705a

ARTICULATED FOOT Ø80 mm / Ø125 mm

www.SystemPlastSmartGuide.com



Ø D.80

SPINDLE & BASE MATERIAL	M	L2 mm	ITEM DESCRIPTION	SPINDLE TYPE		
Zinc Plated Steel	M16	115	LMP80H-PM16L145	7	20	18.000
		135	LMP80H-PM16L165			
	M20	115	LMP80H-PM20L145	8	19	
	M24	185	LMP80-PM24L215			
	M30	185	LMP80-PM30L215			
Stainless Steel AISI 304	M16	115	LMP80H-SM16L145	7	20	18.000
		135	LMP80H-SM16L165			
	M20	135	LMP80H-SM20L165	8	19	
	M24	125	LMP80-SM24L155			
	M30	125	LMP80-SM30L155			

Base: Reinforced polyamide.

Ø D.80

SPINDLE & BASE MATERIAL	M	Ø I mm	L2 mm	ITEM DESCRIPTION	SPINDLE TYPE		
Zinc Plated Steel	M16	50	115	LMP80H-02-PM16L145	7	20	18.000
			135	LMP80H-02-PM16L165			
	M20		115	LMP80H-02-PM20L145	8	24	
	M30		185	LMP80-02-PM30L215			
Stainless Steel AISI 304	M16	50	115	LMP80H-02-SM16L145	7	20	18.000
			135	LMP80H-02-SM16L165			
	M20		135	LMP80H-02-SM20L165	8	24	
	M30		125	LMP80-02-SM30L155			

Base: Reinforced polyamide.

Ø D.125

SPINDLE & BASE MATERIAL	M	L2 mm	ITEM DESCRIPTION ASSEMBLED	SPINDLE TYPE		
Zinc Plated Steel	M16	115	LMP125H-PM16L145	7	20	26.000
		135	LMP125H-PM16L165			
	M20	115	LMP125H-PM20L145	8	19	
	M30	185	LMP125-PM30L215			
Stainless Steel AISI 304	M16	115	LMP125H-SM16L145	7	20	26.000
		135	LMP125H-SM16L165			
	M20	135	LMP125H-SM20L165	8	19	
	M24	125	LMP125-SM24L155			
	M30	185	LMP125-SM30L215			

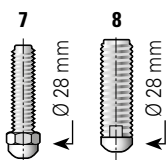
Base: Reinforced polyamide.

Ø D.125

SPINDLE & BASE MATERIAL	M	Ø I mm	L2 mm	ITEM DESCRIPTION	SPINDLE TYPE		
Zinc Plated Steel	M16	85	115	LMP125H-02-PM16L145	7	20	26.000
			135	LMP125H-02-PM16L165			
	M20		115	LMP125H-02-PM20L145	8	19	
	M24		125	LMP125-02-PM24L155			
	M30		185	LMP125-02-PM30L215			
Stainless Steel AISI 304	M16	85	115	LMP125H-02-SM16L145	7	20	26.000
			135	LMP125H-02-SM16L165			
	M20		135	LMP125H-02-SM20L165	8	19	
	M24		125	LMP125-02-SM24L155			
	M30		185	LMP125-02-SM30L215			

Base: Reinforced polyamide.

SPINDLE TYPE



ANTI-SLIP PAD



Item description:

RPAD8006	for foot Ø D.80
RPAD12506	for foot Ø D.125

Anti-slip pad: oil resistant rubber, 55 shore hardness.

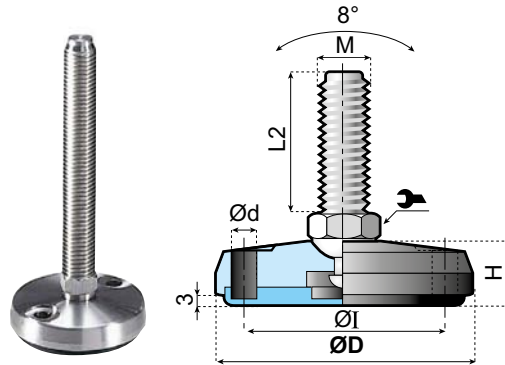
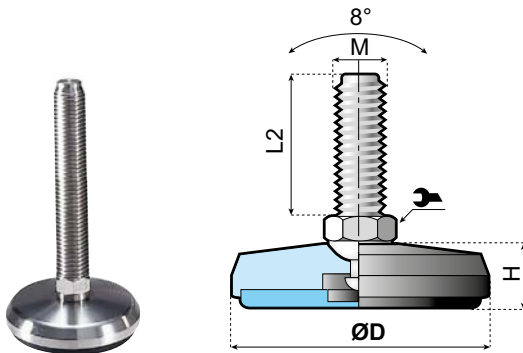
Chains & sprockets	Wear strips	Side guide brackets & accessories	Levelers	Engineering manual
Modular belts & sprockets	Chain & belt return systems	Frame & structure supports	Bearing supports	
Curves & tracks	Side guide solutions	Miscellaneous products	Equipment	



55720a

ARTICULATED FOOT Ø80 mm / Ø120 mm

www.SystemPlastSmartGuide.com



Characteristics:

The foot can be fixed to the floor.

Version with zinc plated steel spindles have yellow painted base plates.

Version with zinc plated steel spindles have yellow painted base plates.

Ø 80

Ø 80

SPINDLE & BASE MATERIAL	M	H	L2 mm	ITEM DESCRIPTION	SPINDLE TYPE	⚙️	⚖️
Zinc Plated Steel	M16	24	115	LMM80H-PM16L155	7	20	50.000
			135	LMM80H-PM16L175			
	M20		115	LMM80H-PM20L155	8	19	
			135	LMM80H-PM20L175			
	M24		125	LMM80-PM24L165	8	24	
			M30	125			
Stainless Steel AISI 304	M16	24	115	LMM80H-SM16L155	7	20	50.000
			135	LMM80H-SM16L175			
	M20		115	LMM80H-SM20L155	8	19	
			135	LMM80H-SM20L175			
	M24		125	LMM80-SM24L165	8	24	
			M30	185			
	M30		185	LMM80-SM30L225	8	24	

SPINDLE & BASE MATERIAL	M	Ø I mm	Ø D mm	H mm	L2 mm	ITEM DESCRIPTION	SPINDLE TYPE	⚙️	⚖️
Stainless Steel AISI 304	M16	54	14	24	115	LMM80H-02-SM16L155	7	20	50.000
					135	LMM80H-02-SM16L175			
	M20				135	LMM80H-02-SM20L175	8	19	
					125	LMM80-02-SM24L165			
	M24				185	LMM80-02-SM24L225	8	20	
					M30	185			

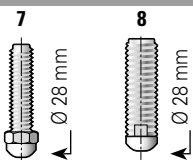
Ø 120

Ø 120

SPINDLE & BASE MATERIAL	M	H	L2 mm	ITEM DESCRIPTION	SPINDLE TYPE	⚙️	⚖️
Zinc Plated Steel	M16	28	115	LMM120H-PM16L160	7	20	50.000
			115	LMM120H-PM20L160			
	M20		135	LMM120H-PM20L180	8	19	
			125	LMM120-PM24L170			
	M24		185	LMM120-PM24L230	8	24	
			M30	125			
M30	185	LMM120-PM30L230	8	24			
	Stainless Steel AISI 304	M16			28	115	LMM120H-SM16L160
135			LMM120H-SM16L180				
M20		115	LMM120H-SM20L160	8		19	
		135	LMM120H-SM20L180				
M24	125	LMM120-SM24L170	8	24			
	M30	185				LMM120-SM24L230	
M30	185	LMM120-SM30L230	8	24			

SPINDLE & BASE MATERIAL	M	Ø I mm	L2 mm	ITEM DESCRIPTION	SPINDLE TYPE	⚙️	⚖️
Zinc Plated Steel	M16	84	115	LMM120H-02-PM16L160	7	20	50.000
			135	LMM120H-02-PM16L180			
	M20		115	LMM120H-02-PM20L160	8	19	
			135	LMM120H-02-PM20L180			
Stainless Steel AISI 304	M16	84	135	LMM120H-02-SM16L180	7	24	50.000
			115	LMM120H-02-SM20L160			
	M20		125	LMM120-02-SM24L170	8	24	
			185	LMM120-02-SM24L230			
	M24		125	LMM120-02-SM30L170	8	24	
			M30	185			

SPINDLE TYPE



ANTI-SLIP PAD



Item description:

RPAD7207-90	for foot Ø 80
RPAD10108-90	for foot Ø 120

Anti-slip pad: oil resistant rubber, 95 shore hardness.

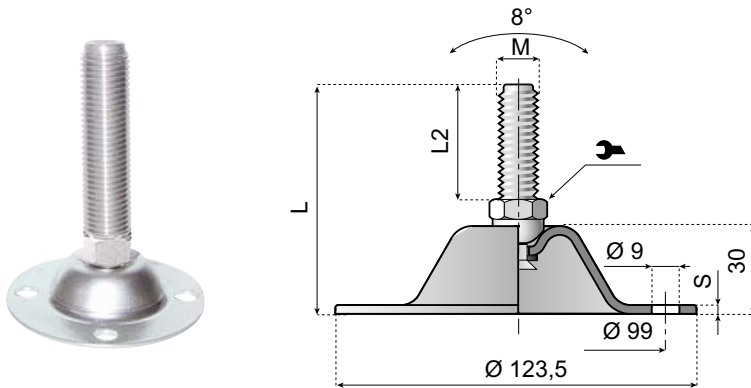
Chains & sprockets	Wear strips	Side guide brackets & accessories	Levelers	Engineering manual
Modular belts & sprockets	Chain & belt return systems	Frame & structure supports	Bearing supports	
Curves & tracks	Side guide solutions	Miscellaneous products	Equipment	

55735a

ARTICULATED FOOT Ø123 mm

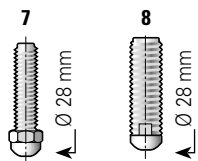
www.SystemPlastSmartGuide.com

VERSION WITH 4 HOLES

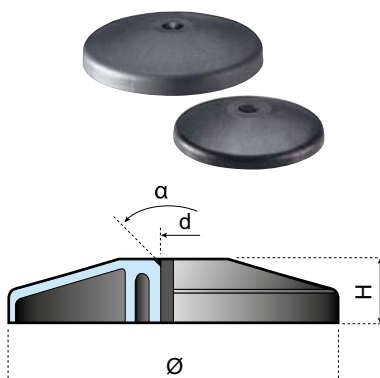


SPINDLE & BASE MATERIAL	M	L mm	L2 mm	S	ITEM DESCRIPTION	SPINDLE TYPE		
Zinc Plated Steel	16	155	115	4	LMPH123H-04-PM16L155	7	20	10.000
		175	135		LMPH123H-04-PM16L175			
	20	160	115		LMPH123H-04-PM20L160	7	24	
		180	135		LMPH123H-04-PM20L180			
	24	170	125		LMPH123-04-PM24L170	8	19	
		230	185		LMPH123-04-PM24L230			
	30	230	185		LMPH123-04-PM30L230	8	24	
Stainless Steel AISI 304	16	155	115	3	LMPH123H-04-SM16L155	7	20	6.000
		175	135		LMPH123H-04-SM16L175			
	20	160	115		LMPH123H-04-SM20L160	7	24	
		180	135		LMPH123H-04-SM20L180			
	24	170	125		LMPH123-04-SM24L170	8	19	
		170	125		LMPH123-04-SM30L170			

SPINDLE TYPE



ALTERNATIVE BASE PLATES



Material: Polyamide reinforced.

Ø mm	H mm	D mm	α		ITEM DESCRIPTION
80	21	11	90°	16.000	LB80
100	23	11	90°	18.000	LB100
150	28	11	90°	28.000	LB150
200	40	8,5	120°	40.000	LB200

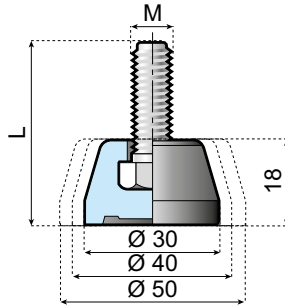
Chains & sprockets	Wear strips	Side guide brackets & accessories	Levelers	Engineering manual
Modular belts & sprockets	Chain & belt return systems	Frame & structure supports	Bearing supports	
Curves & tracks	Side guide solutions	Miscellaneous products	Equipment	



55750 a

FIXED FOOT Ø30 / 40 / 50 mm

www.SystemPlastSmartGuide.com



SOLID BASE

Ø D.30

SPINDLE MATERIAL	M	L mm	ITEM DESCRIPTION	SPINDLE TYPE	
Zinc Plated Steel	M8	55	LFM30-PM8L55	9	5.000
		75	LFM30-PM8L75		
	M10	55	LFM30-PM10L55		
		75	LFM30-PM10L75		
Stainless Steel AISI 304	M8	55	LFM30-SM8L55	9	5.000
		75	LFM30-SM8L75		
	M10	55	LFM30-SM10L55		
		75	LFM30-SM10L75		

Base: Polyethylene.

Ø D.50

SPINDLE MATERIAL	M	L mm	ITEM DESCRIPTION	SPINDLE TYPE	
Zinc Plated Steel	M8	55	LFM50-PM8L55	9	9.000
	M10	75	LFM50-PM10L75		
	M12	55	LFM50-PM12L55		
		75	LFM50-PM12L75		
Stainless Steel AISI 304	M8	75	LFM50-SM8L75	9	9.000
	M10	55	LFM50-SM10L55		
		75	LFM50-SM10L75		
	M12	75	LFM50-SM12L75		

Base: Polyethylene.

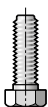
Ø D.40

SPINDLE MATERIAL	M	L mm	ITEM DESCRIPTION	SPINDLE TYPE	
Zinc Plated Steel	M8	55	LFM40-PM8L55	9	7.000
	M10	55	LFM40-PM10L55		
		75	LFM40-PM10L75		
	M12	75	LFM40-PM12L75		
Stainless Steel AISI 304	M8	55	LFM40-SM8L55	9	7.000
	M10	55	LFM40-SM10L55		
		75	LFM40-SM10L75		
	M12	55	LFM40-SM12L55		
75		LFM40-SM12L75			

Base: Polyethylene.

SPINDLE TYPE

9



Chains & sprockets	Wear strips	Side guide brackets & accessories	Levelers	Engineering manual
Modular belts & sprockets	Chain & belt return systems	Frame & structure supports	Bearing supports	
Curves & tracks	Side guide solutions	Miscellaneous products	Equipment	

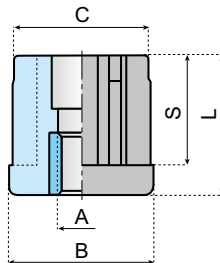
5 5 7 6 5 a

THREADED TUBE ENDS FOR ROUND AND SQUARE TUBES

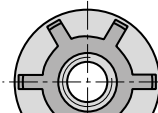
www.SystemPlastSmartGuide.com



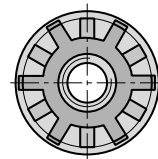
ROUND TUBES



TYPE 1



TYPE 2



MOQ Min. order quantity: 300 pcs.

ROUND TUBES MAX.STATIC LOAD						
Ø MM	30	38	42	48	50	60
N	3.000	5.000	6.000	6.000	6.500	8.000

Stated load values are meant for static conditions.

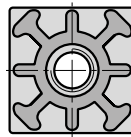
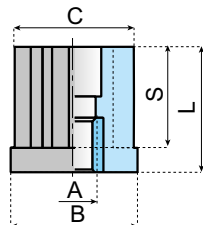
Such values have to be adequately reduced in presence of high frequency vibrations or dynamic loads. To contact your local Technical Support check our website: www.regalrexford.com or send an email to SystemPlastTechSupport@regalrexford.com

Material:

Polyamide; threaded bush in nickel plated brass.

EXTERNAL DIAMETER MM	INTERNAL DIAMETER MM	WALL THICKNESS TUBE MM	TYPE	B mm	C mm	L mm	S mm	THREADED METRIC - PART NUMBER				
								M10	M12	M14	M16	M20
30	28	1	1	30	28,4	35	29	TE-R3010-BM10	TE-R3010-BM12	TE-R3010-BM14	-	-
38	35	1,5	1	38	35,5	46,5	38	TE-R3815-BM10	TE-R3815-BM12	TE-R3815-BM14	TE-R3815-BM16	-
42.4	39,4	1,5	1	42	39,9	45,5	38	TE-R4215-BM10	TE-R4215-BM12	TE-R4215-BM14	TE-R4215-BM16	TE-R4215-BM20
48.3	45,3	1,5	1	48	45,8	55	45	-	TE-R4815-BM12	TE-R4815-BM14	TE-R4815-BM16	TE-R4815-BM20
50.9	47,9	1,5	1	50	48,4	49	38	-	TE-R5115-BM12	TE-R5115-BM14	TE-R5115-BM16	TE-R5115-BM20
60.3	57,3	1,5	2	60	58	50	38	TE-R6015-BM10	TE-R6015-BM12	TE-R6015-BM14	TE-R6015-BM16	TE-R6015-BM20
60.3	56,3	2	2	60	55,8	55	45	-	-	-	TE-R6020-BM16	TE-R6020-BM20
60.3	55,3	2,5	2	60	56	50	38	-	-	-	TE-R6025-BM16	TE-R6025-BM20

SQUARE TUBES



SQUARE TUBES MAX.STATIC LOAD							
Ø mm	25	30	35	38	40	50	60
N	5.000	5.500	5.500	6.000	6.000	10.000	12.000

Stated load values are meant for static conditions.

Such values have to be adequately reduced in presence of high frequency vibrations or dynamic loads. To contact your local Technical Support check our website:

www.regalrexford.com or send an email to SystemPlastTechSupport@regalrexford.com

Material:

Polyamide; threaded bush in nickel plated brass.

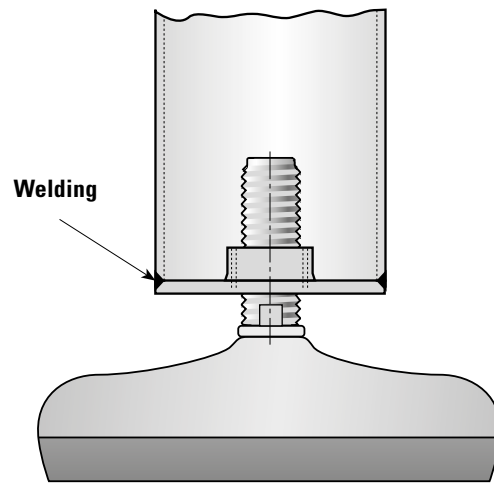
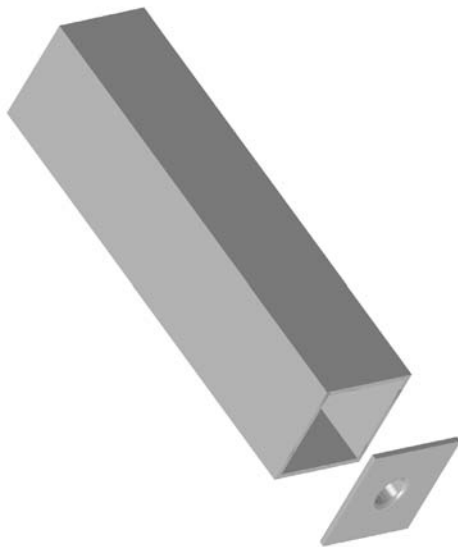
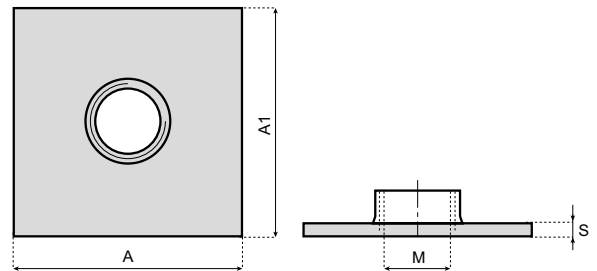
EXTERNAL DIAMETER MM	INTERNAL DIAMETER MM	WALL THICKNESS TUBE MM	B mm	C mm	L mm	S mm	THREAD METRIC - PART NUMBER					
							M8	M10	M12	M14	M16	M20
25	22	1.5	25	22,5	30	25	TE-S2515-BM8	TE-S2515-BM10	TE-S2515-BM12	-	-	-
30	27	1.5	30	27,5	33	27	-	TE-S3015-BM10	TE-S3015-BM12	TE-S3015-BM14	TE-S3015-BM16	-
30	26	2	30	26,5	33	27	-	TE-S3020-BM10	TE-S3020-BM12	TE-S3020-BM14	TE-S3020-BM16	-
35	32	1.5	35	32,5	43	35	-	TE-S3515-BM10	TE-S3515-BM12	TE-S3515-BM14	TE-S3515-BM16	TE-S3515-BM20
35	31	2	35	31,5	43	35	-	TE-S3520-BM10	TE-S3520-BM12	TE-S3520-BM14	TE-S3520-BM16	TE-S3520-BM20
38,1	34,9	1,6	38	35,4	43	35	-	TE-S3816-BM10	TE-S3816-BM12	TE-S3816-BM14	TE-S3816-BM16	TE-S3816-BM20
38,1	32,1	3	38	32,6	43	35	-	TE-S3830-BM10	TE-S3830-BM12	TE-S3830-BM14	TE-S3830-BM16	TE-S3830-BM20
40	37	1,5	40	37,5	55	45	-	TE-S4015-BM10	TE-S4015-BM12	TE-S4015-BM14	TE-S4015-BM16	TE-S4015-BM20
40	36	2	40	36,5	55	45	-	TE-S4020-BM10	TE-S4020-BM12	TE-S4020-BM14	TE-S4020-BM16	TE-S4020-BM20
50	47	1.5	50	47,5	55	44	-	-	TE-S5015-BM12	TE-S5015-BM14	TE-S5015-BM16	TE-S5015-BM20
50	46	2	50	46,5	55	44	-	-	TE-S5020-BM12	TE-S5020-BM14	TE-S5020-BM16	TE-S5020-BM20
50	45	2.5	50	45,5	55	44	-	-	TE-S5025-BM12	TE-S5025-BM14	TE-S5025-BM16	TE-S5025-BM20
60	46	2	60	56,5	55	45	-	-	-	TE-S6020-BM14	TE-S6020-BM16	TE-S6020-BM20

Chains & sprockets	Wear strips	Side guide brackets & accessories	Levelers	Engineering manual
Modular belts & sprockets	Chain & belt return systems	Frame & structure supports	Bearing supports	
Curves & tracks	Side guide solutions	Miscellaneous products	Equipment	

5 5 7 6 5 c

WELDED ENDPLATES

www.SystemPlastSmartGuide.com



Material: Stainless Steel AISI 304

M	A mm	A1 mm	S mm	ITEM DESCRIPTION
M12	40	40	3	TWP-S4030-M12
M16				TWP-S4030-M16
M20				TWP-S4030-M20
M16	50	50		TWP-S5030-M16

Chains & sprockets	Wear strips	Side guide brackets & accessories	Levelers	Engineering manual
Modular belts & sprockets	Chain & belt return systems	Frame & structure supports	Bearing supports	
Curves & tracks	Side guide solutions	Miscellaneous products	Equipment	

5 5 7 8 0 a

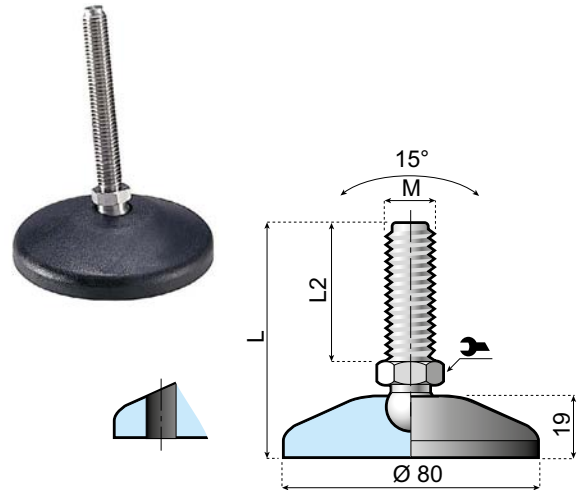
ARTICULATED FOOT Ø80 mm

www.SystemPlastSmartGuide.com



SOLID BASE

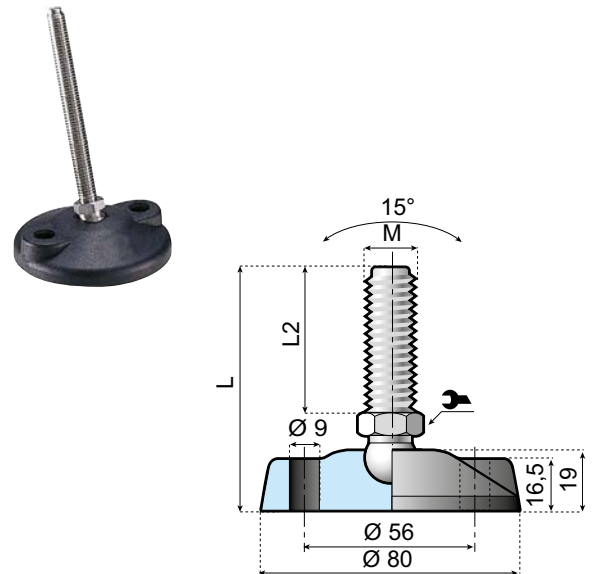
SPINDLE MATERIAL	M	L mm	L2 mm	ITEM DESCRIPTION ASSEMBLED	SPINDLE TYPE		
Zinc Plated Steel	M10	102	70	LA80SH-PM10L100	2A	14	22.000
	M16	97	70	LA80S-PM16L95	15A	13	
Stainless Steel AISI 304	M12	97	70	LA80SH-SM12L95	2A	14	22.000
		152	125	LA80SH-SM12L150			
	M16	97	70	LA80S-SM16L95	15A	13	
		147	120	LA80S-SM16L145			



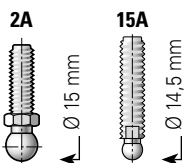
Base: Reinforced polyamide.

SOLID BASE WITH HOLES

SPINDLE MATERIAL	M	L mm	L2 mm	ITEM DESCRIPTION	SPINDLE TYPE		
Zinc Plated Steel	M16	149	119	LA80S-02-PM16L150	15A	13	22.000
Stainless Steel AISI304	M12	153	125	LA80SH-02-SM12L155	2A	14	22.000
	M16	99	69	LA80S-02-SM16L100	15A	13	
		149	119	LA80S-02-SM16L150			



SPINDLE TYPE



For standard version, go to:

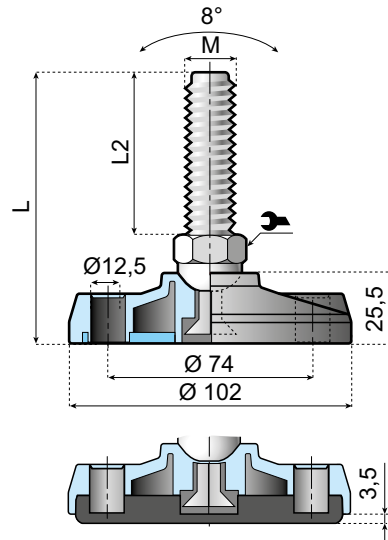


Chains & sprockets	Wear strips	Side guide brackets & accessories	Levelers	Engineering manual
Modular belts & sprockets	Chain & belt return systems	Frame & structure supports	Bearing supports	
Curves & tracks	Side guide solutions	Miscellaneous products	Equipment	

5 5 7 9 5 a

ARTICULATED FOOT Ø100 mm WITH HOLES

www.SystemPlastSmartGuide.com



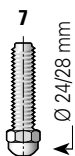
Characteristics:

The foot can be fixed to the floor by opening the signs marked on the base.

SPINDLE MATERIAL	M	L mm	L2 mm	ITEM DESCRIPTION		SPINDLE TYPE	Wrench icon	Nut icon	
				STANDARD WITHOUT RUBBER	ANTI-SLIP WITH RUBBER				
Zinc Plated Steel	M16	156,5	115	LAX102H-02B-PM16L150	-	7	20	20.000	
		176,5	135	LAX102H-02B-PM16L175	-				
	M20	176,5	135	-	LAX102H-02B-PM20L175R				24
Stainless Steel AISI 304	M16	156,5	125	-	LAX102H-02B-SM16L150R	7	20	20.000	
		176,5	135	LAX102H-02B-SM16L175	-				
	M20	156,5	125	LAX102H-02B-SM20L150	-				24
		176,5	135	LAX102H-02B-SM20L175	LAX102H-02B-SM20L175R				

Base: Reinforced polyamide.

SPINDLE TYPE



ANTI-SLIP PAD

Item description:

RPAD9308

Anti-slip pad: oil resistant rubber, 55 shore hardness.



Chains & sprockets	Wear strips	Side guide brackets & accessories	Levelers	Engineering manual
Modular belts & sprockets	Chain & belt return systems	Frame & structure supports	Bearing supports	
Curves & tracks	Side guide solutions	Miscellaneous products	Equipment	

55810a

ARTICULATED FOOT Ø100 mm WITH HOLES

www.SystemPlastSmartGuide.com



Solid base series

The solid base will help equipment builders meet the requirements of the USDA and other government agencies, related to the prevention of contamination of food products and the growth of bacteria.

Characteristics:

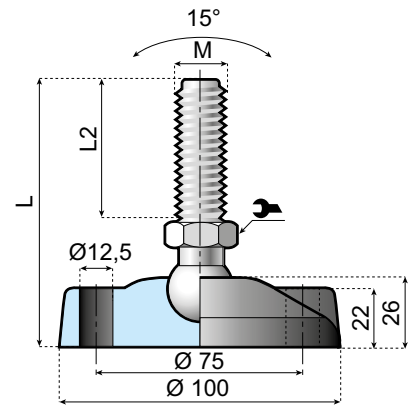
The foot can be fixed to the floor.

SPINDLE MATERIAL	M	L mm	L2 mm	ITEM DESCRIPTION	SPINDLE TYPE		
Zinc Plated Steel	M16	152	115	LA100SH-02-PM16L150	2B	24	25.000
	M20	122	85	LA100SH-02-PM20L120			
		182	145	LA100SH-02-PM20L180			
	M24	190	145	LA100SH-02-PM24L190	2C		
Stainless Steel AISI 304	M16	97	60	LA100SH-02-SM16L95	2B	24	25.000
		152	115	LA100SH-02-SM16L150			
	M20	152	115	LA100SH-02-SM20L150			
		232	195	LA100SH-02-SM20L230			
	M24	190	145	LA100SH-02-SM24L190	2C		



HIGH LOAD CAPACITY

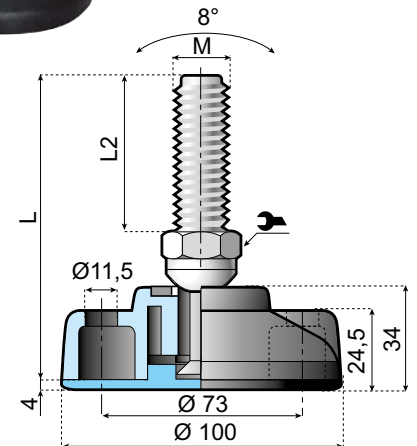
SOLID BASE



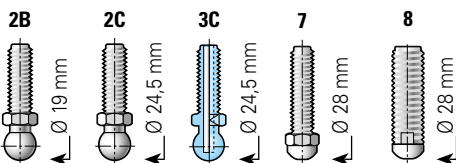
Base: Reinforced polyamide.

SPINDLE MATERIAL	M	L mm	L2 mm	ITEM DESCRIPTION		SPINDLE TYPE		
				STANDARD WITHOUT RUBBER	ANTI-SLIP WITH RUBBER			
Zinc Plated Steel	M16	182	135	LAX100H-02-PM16L180	LAX100H-02-PM16L180R	7	20	25.000
	M20	182	135	LAX100H-02-PM20L180	-			
	M24	232	185	LAX100-02-PM24L185	LAX100-02-PM24L185R	8	19	
	M30	172	125	LAX100-02-PM30L170	LAX100-02-PM30L170R		24	
Stainless Steel AISI 304	M16	162	115	LAX100H-02-SM16L160	-	7	19	25.000
		182	135	LAX100H-02-SM16L180	LAX100H-02-SM16L180R		24	
	M20	182	135	LAX100H-02-SM20L180	LAX100H-02-SM20L180R	8	19	
	M24	232	185	-	LAX100-02-SM24L185R		24	
	M30	232	185	LAX100-02-SM30L185	LAX100-02-SM30L185R		24	

Base: Reinforced polyamide.



SPINDLE TYPE



ANTI-SLIP PAD

Item description:

RPAD10004

Anti-slip pad: oil resistant rubber, 55 shore hardness.

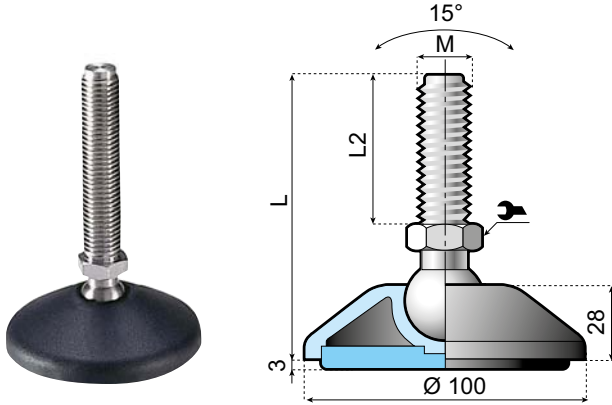


Chains & sprockets	Wear strips	Side guide brackets & accessories	Levelers	Engineering manual
Modular belts & sprockets	Chain & belt return systems	Frame & structure supports	Bearing supports	
Curves & tracks	Side guide solutions	Miscellaneous products	Equipment	

55825a

ARTICULATED FOOT Ø100 mm

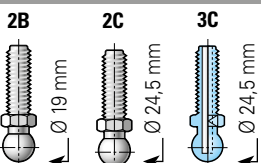
www.SystemPlastSmartGuide.com



SPINDLE MATERIAL	M	L mm	L2 mm	ITEM DESCRIPTION ASSEMBLED		SPINDLE TYPE	Wrench icon	Load icon
				STANDARD WITHOUT RUBBER	ANTI-SLIP WITH RUBBER			
Zinc Plated Steel	M16	99	60	-	LA100H-PM16L100R	2B	20	18.000
		154	115	LA100H-PM16L155	LA100H-PM16L155R			
		184	145	LA100H-PM16L185	LA100H-PM16L185R			
		234	195	LA100H-PM16L235	-			
	M20	234	195	-	LA100H-PM20L235R	2C	24	18.000
M24	240	195	LA100H-PM24L240	LA100H-PM24L240R				
Stainless Steel AISI 304	M16	99	60	LA100H-SM16L100	-	2B	20	18.000
		154	115	LA100H-SM16L155	LA100H-SM16L155R			
	M20	154	115	LA100H-SM20L155	LA100H-SM20L155R	2B	20	
		184	145	LA100H-SM20L185	LA100H-SM20L185R			
		234	195	LA100H-SM20L235	LA100H-SM20L235R			
	M24	190	145	LA100H-SM24L190	LA100H-SM24L190R	2C	24	

Base: Reinforced polyamide.

SPINDLE TYPE



ANTI-SLIP PAD

Item description:

RPAD9308

Anti-slip pad: oil resistant rubber, 55 shore hardness.



Chains & sprockets	Wear strips	Side guide brackets & accessories	Levelers	Engineering manual
Modular belts & sprockets	Chain & belt return systems	Frame & structure supports	Bearing supports	
Curves & tracks	Side guide solutions	Miscellaneous products	Equipment	

55840a

FOOT Ø123 mm WITH HOLES

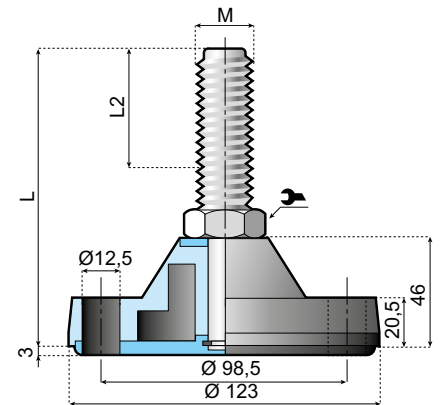
www.SystemPlastSmartGuide.com



Characteristics:

The foot can be fixed to the floor.

SPINDLE MATERIAL	M	L mm	L2 mm	ITEM DESCRIPTION		SPINDLE TYPE	🔧	⚠️
				STANDARD WITHOUT RUBBER	ANTI-SLIP WITH RUBBER			
Zinc Plated Steel	M16	153	98	LAF123H-02-PM16L155	LAF123H-02-PM16L155R	6B	22	35.000
	M20	209	154	LAF123H-02-PM20L210	LAF123H-02-PM20L210R			
	M24	253	198	LAF123H-02-PM24L255	LAF123H-02-PM24L255R			
	M30	253	198	LAF123H-02-PM30L255	-			
Stainless Steel AISI 304	M20	153	98	LAF123H-02-SM20L155	-	6B	22	35.000
		203	148	LAF123H-02-SM20L205	-			
	M24	203	148	LAF123H-02-SM24L205	LAF123H-02-SM24L205R			



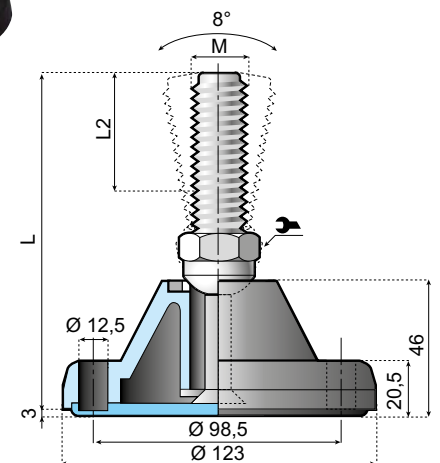
Base: Reinforced polyamide.



Characteristics:

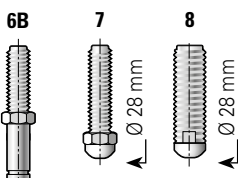
The foot can be fixed to the floor.

SPINDLE MATERIAL	M	L mm	L2 mm	ITEM DESCRIPTION		SPINDLE TYPE	🔧	⚠️
				STANDARD WITHOUT RUBBER	ANTI-SLIP WITH RUBBER			
Zinc Plated Steel	M20	199	135	LAX123H-02-PM20L200	LAX123H-02-PM20L200R	7	24	30.000
	M24	249	185	LAX123-02-PM24L250	LAX123-02-PM24L250R	8	19	
		249	185	LAX123-02-PM30L250	LAX123-02-PM30L250R		24	
Stainless Steel AISI 304	M20	199	135	LAX123H-02-SM20L200	LAX123H-02-SM20L200R	7	24	30.000
		249	185	LAX123-02-SM24L250	LAX123-02-SM24L250R			
	M30	249	185	LAX123-02-SM30L250	LAX123-02-SM30L250R			



Base: Reinforced polyamide.

SPINDLE TYPE



ANTI-SLIP PAD

Item description:

RPAD12208

Anti-slip pad: oil resistant rubber, 55 shore hardness.



Chains & sprockets	Wear strips	Side guide brackets & accessories	Levelers	Engineering manual
Modular belts & sprockets	Chain & belt return systems	Frame & structure supports	Bearing supports	
Curves & tracks	Side guide solutions	Miscellaneous products	Equipment	

5 6 0 1 0 a

INDEX MOUNTED BEARINGS

www.SystemPlastSmartGuide.com

TYPE		SHAFT DIAMETER	GRUB SCREWS	ECCENTRIC RING	SKWEZLOC® SHAFT LOCK	SKWEZLOC® PN GOLD™ SHAFT LOCK
	UCFL UCFH	Ø 12 - Ø 19	5 6 0 3 0 a	-	-	-
		Ø 20 - Ø 40	5 6 0 2 0 a	5 6 0 4 0 a	-	-
New	UCFH	Ø 30 - Ø 40	-	-	SEALMASTER 5 6 0 4 2 a	-
New	CRFS-PN	Ø 30 - Ø 40	-	-	-	SEALMASTER 5 6 0 4 4 a
	CL	Ø 30 - Ø 40	5 6 0 9 0 a	5 6 0 9 0 a	-	-
	UCF UCFO	Ø 12 - Ø 19	5 6 0 6 0 a	-	-	-
		Ø 20 - Ø 40	5 6 0 5 0 a	5 6 0 7 0 a	-	-
New	UCFO	Ø 30 - Ø 40	-	-	SEALMASTER 5 6 0 7 2 a	-
New	CRFS-PN	Ø 30 - Ø 40	-	-	-	SEALMASTER 5 6 0 7 4 a
	CS	Ø 30 - Ø 40	5 6 1 0 0 a	5 6 1 0 0 a	-	-

OTHER VERSIONS: **5 6 0 1 0 b**


















Information about this product is only available on our Smart Guide® website.

Chains & sprockets	Wear strips	Side guide brackets & accessories	Levelers	Engineering manual
Modular belts & sprockets	Chain & belt return systems	Frame & structure supports	Bearing supports	
Curves & tracks	Side guide solutions	Miscellaneous products	Equipment	

5 6 0 1 0 b

INDEX MOUNTED BEARINGS

www.SystemPlastSmartGuide.com

TYPE	SHAFT DIAMETER	GRUB SCREWS	ECCENTRIC RING	SKWEZLOC® SHAFT LOCK	SKWEZLOC® PN GOLD™ SHAFT LOCK
	UCP Ø 20 - Ø 40	5 6 1 1 0 a	5 6 1 1 0 a	-	-
	UCPA Ø 20 - Ø 30	5 6 1 2 0 a 	5 6 1 2 0 a 	-	-
	SQL Ø 12 - Ø 20	5 6 1 3 0 a	5 6 1 3 0 a	-	-
	UCFB Ø 20 - Ø 30	5 6 1 4 0 a	5 6 1 4 0 a	-	-
	UCHE Ø 20 - Ø 35	5 6 1 5 0 a 	5 6 1 5 0 a 	-	-
	UCT Ø 20 - Ø 35	5 6 1 6 0 a 	5 6 1 6 0 a 	-	-
	UCTT Ø 20 - Ø 35	5 6 1 7 0 a 	5 6 1 7 0 a 	-	-

OTHER VERSIONS: 5 6 0 1 0 a



Information about this product is only available on our Smart Guide® website.

Chains & sprockets	Wear strips	Side guide brackets & accessories	Levelers	Engineering manual
Modular belts & sprockets	Chain & belt return systems	Frame & structure supports	Bearing supports	
Curves & tracks	Side guide solutions	Miscellaneous products	Equipment	

5 6 0 2 0 a

FLANGED HOUSINGS - 2 HOLE VERSIONS

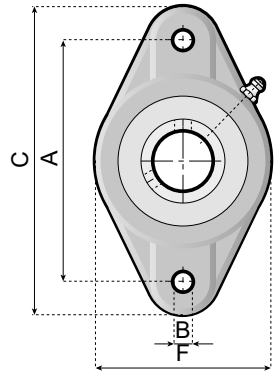
GRUB SCREW VERSION - FOR SHAFT DIAMETERS: 20-40mm

For shaft lock with eccentric ring, go to: **5 6 0 4 0 a**

Also available for 12-17 mm shaft diameters. Go to: **5 6 0 3 0 a**

For new Sealmaster® Skwezloc® bearings, go to: **5 6 0 4 2 a**

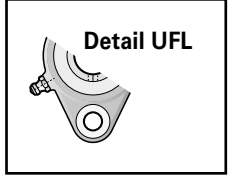
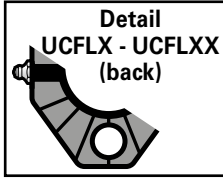
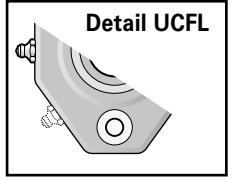
For new Sealmaster® Skwezloc® PN GOLD™ bearings, go to: **5 6 0 4 4 a**



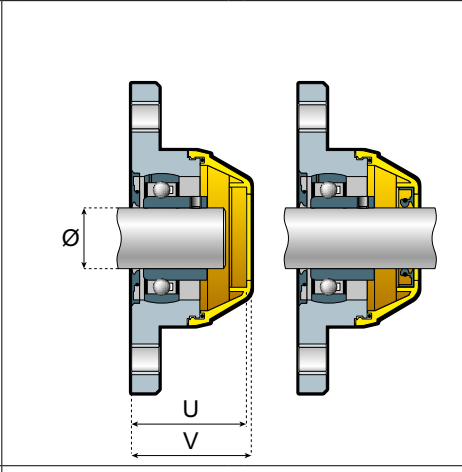
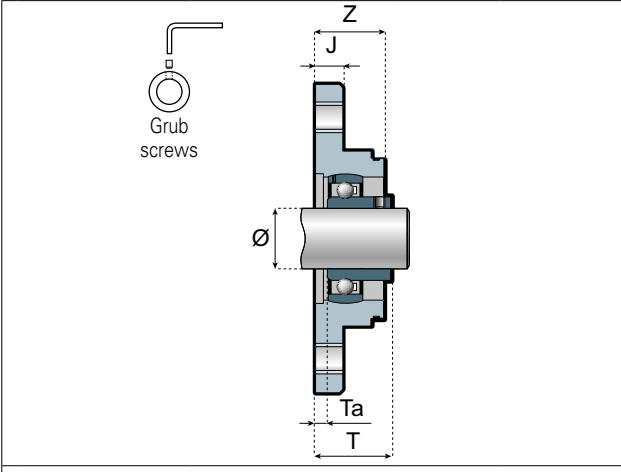
TECHNICAL INFORMATION

- Types UFL and UCFH have solid polyamide housings for ultimate strength, no trap for contamination (UCFL types have a ribbed back).
- Good resistance against many corrosive chemicals such as water, oils, greases, petrol, milk, wine, alcoholic beverages.
- Available in chrome steel and stainless steel (suitable for food, beverage and pharmaceutical industry).
- Housings also available as complete sealed units for improved protection (wash down resistant version).
- Max. mis-alignment between shaft and housing: 2.5°

A	B	WEIGHT KG (IND.)	VERSION UFL AND UCFH			VERSION UCFLX AND UCFLXX		
			C	F	J	C	F	J
76,5	11	0,25	100	56	12	-	-	-
90	11	0,3	114	70	10	120	85	19
99	11	0,4	130	70	17	130	90	19
117	11	0,5	148	84	14,5	146	98	25
130	14	0,7	163	90	18	159	105	25
144	14	0,8	175	100	18	-	-	-



VERSION WITH GRUB SCREWS



COMPONENTS

Housing in reinforced polyamide. Seals in NBR rubber. High precision self-aligning ball bearings in chrome- or stainless steel, pre-lubricated. Grease nipples and spacers from nickel plated brass. Washers (where used) in AISI 304 (DIN 1.4301). Safety cap in polypropylene. (When fitted with a stainless steel bearing, the grease nipple is in stainless steel).

SHAFT Ø	A	T	TA	U	V	Z	STANDARD VERSION		SEPARATE CLOSED SAFETY CAP PART NO.		SEPARATE OPEN SAFETY CAP PART NO.		WASH DOWN RESISTANT VERSION			
							BEARINGS		CHROME STEEL	STAINLESS STEEL	BEARINGS CHROME STEEL		CLOSED CAP	OPEN CAP	ITEM DESCRIPTION	
							CHROME STEEL	STAINLESS STEEL			CHROME STEEL	OPEN CAP			ITEM DESCRIPTION	
							ITEM DESCRIPTION		ITEM DESCRIPTION		ITEM DESCRIPTION		ITEM DESCRIPTION			
20	76,5	33,5	8,5	47	49	26	UFLX204-20M	UFLX204-20M-SS	50008	50008APE	UFLX204-20M-CEC	UFLX204-20M-OEC				
20		34	8,5	48	50	26	UCFH204-20M	UCFH204-20M-SS	50007	50007APE	UCFH204-20M-CEC	UCFH204-20M-OEC				
25	90	35	7,5	52	54	25	UCFLX205-25M	UCFLX205-25M-SS	50003A	50003AAPE	UCFLX205-25M-CEC	UCFLX205-25M-OEC				
30		35	5	52	54	25	UCFLX206-30M	UCFLX206-30M-SS	50003A	50003AAPE	UCFLX206-30M-CEC	UCFLX206-30M-OEC				
25	99	37	9,5	52	54	29	UCFH205-25M	UCFH205-25M-SS	50011	50011APE	UCFH205-25M-CEC	UCFH205-25M-OEC				
30		35	5	52	54	25	UCFLX206-30M	UCFLX206-30M-SS	50003A	50003AAPE	UCFLX206-30M-CEC	UCFLX206-30M-OEC				
30		37	6,5	51	53	29	*UCFH206-30M	UCFH206-30M-SS	50001	50001APE	*UCFH206-30M-CEC	*UCFH206-30M-OEC				
35	117	43	10,5	67	69	35	UCFLX207-35M	UCFLX207-35M-SS	50002	50002APE	UCFLX207-35M-CEC	UCFLX207-35M-OEC				
40		44	10	67	69	35	*UCFLX208-40M	UCFLX208-40M-SS	50002	50002APE	*UCFLX208-40M-CEC	*UCFLX208-40M-OEC				
35		42	9,5	64	66	33	UCFH207-35M	UCFH207-35M-SS	50004	50004APE	UCFH207-35M-CEC	UCFH207-35M-OEC				
40		45	11	67	69	35	UCFLX208-40M	UCFLX208-40M-SS	50002	50002APE	UCFLX208-40M-CEC	UCFLX208-40M-OEC				
40	144	43	9	63	65	35	UCFH208-40M	UCFH208-40M-SS	50002	50002APE	UCFH208-40M-CEC	UCFH208-40M-OEC				

* Also available SealMaster® Triathlon® Bearings version, go to: **5 6 0 4 2 a**

Chains & sprockets	Wear strips	Side guide brackets & accessories	Levelers	Engineering manual
Modular belts & sprockets	Chain & belt return systems	Frame & structure supports	Bearing supports	
Curves & tracks	Side guide solutions	Miscellaneous products	Equipment	

56030a

FLANGED BEARING 2 HOLE VERSION

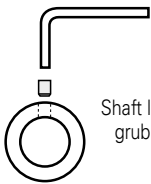
FOR SHAFT DIAMETERS: 12-17mm

www.SystemPlastSmartGuide.com



Also available for 20-40 mm shaft diameters. Go to:

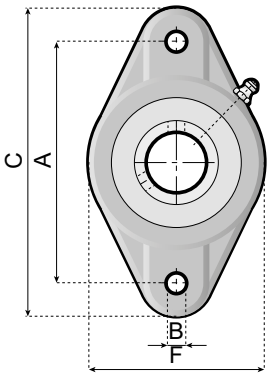
56020a



Shaft lock with grub screw

TECHNICAL INFORMATION

- Types UFL have solid polyamide housings for ultimate strength, no trap for contamination.
- Good resistance against many corrosive chemicals such as water, oils, greases, petrol, milk, wine, alcoholic beverages.
- Housings also available as complete sealed units for improved protection (wash down resistant version).
- Max. mis-alignment between shaft and housing: 2.5°

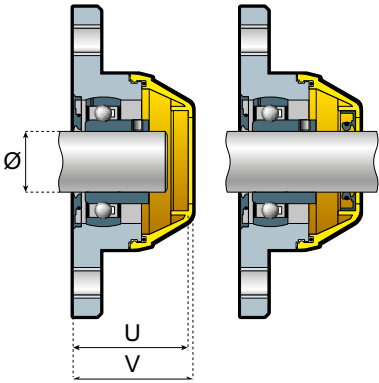
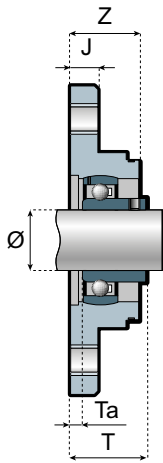


A	B	C	F	J	WEIGHT KG(IND.)
76,5	11	100	56	12	0,18

VERSION WITH GRUB SCREWS



Grub Screws



COMPONENTS

Housing in reinforced polyamide. Seals in NBR rubber. High precision self-aligning ball bearings in chrome- or stainless steel, pre-lubricated. Grease nipples and spacers from nickel plated brass. Washers (where used) in AISI 304 (DIN 1.4301). Safety cap in polypropylene. (When fitted with a stainless steel bearing, the grease nipple is in stainless steel).

SHAFT Ø	A	T	Ta	U	V	Z
12						
15						
16	76,5	32,5	10,5	47	49	26
17						

STANDARD VERSIONS			WASH DOWN RESISTANT VERSION	
BEARINGS	SEPARATE CLOSED SAFETY CAP PART NO.	SEPARATE OPEN SAFETY CAP PART NO.	BEARINGS CHROME STEEL	
CHROME STEEL			CLOSED CAP	OPEN CAP
ITEM DESCRIPTION			ITEM DESCRIPTION	
UCFH201-12M	50008	50008APE	UCFH201-12M-CEC	UCFH201-12M-OEC
UCFH202-15M			UCFH202-15M-CEC	UCFH202-15M-OEC
UCFH016-16M			UCFH016-16M-CEC	UCFH016-16M-OEC
UCFH203-17M			UCFH203-17M-CEC	UCFH203-17M-OEC

Chains & sprockets	Wear strips	Side guide brackets & accessories	Levelers	Engineering manual
Modular belts & sprockets	Chain & belt return systems	Frame & structure supports	Bearing supports	
Curves & tracks	Side guide solutions	Miscellaneous products	Equipment	

5 6 0 4 0 a

FLANGED HOUSINGS - 2 HOLE VERSIONS - ECCENTRIC LOCK

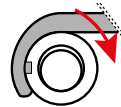
FOR SHAFT DIAMETERS: 20-40mm

For shaft lock with grub screw, go to: **5 6 0 2 0 a**

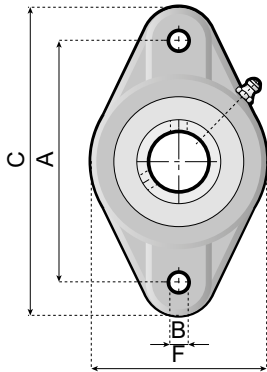
Also available for 12-17 mm shaft diameters. Go to: **5 6 0 3 0 a**

For new Sealmaster® Skwezloc® bearings, go to: **5 6 0 4 2 a**

For new Sealmaster® Skwezloc® PN GOLD™ bearings, go to: **5 6 0 4 4 a**



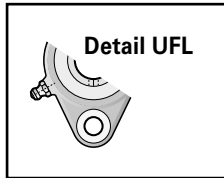
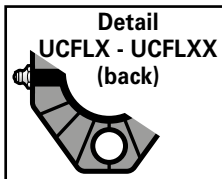
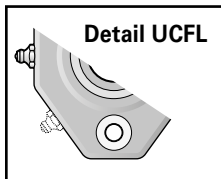
Shaft lock with eccentric ring



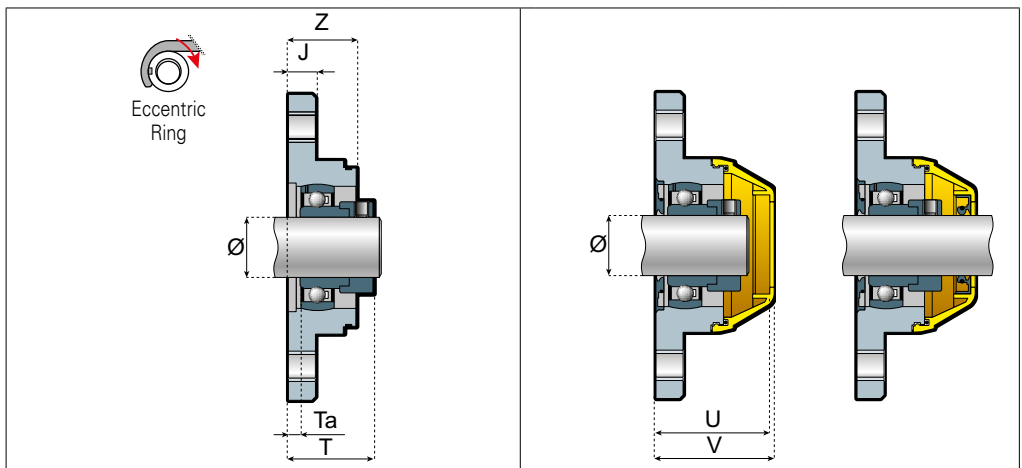
TECHNICAL INFORMATION

- Types UFL and UCFH have solid polyamide housings for ultimate strength, no trap for contamination (UCFL types have a ribbed back).
- Good resistance against many corrosive chemicals such as water, oils, greases, petrol, milk, wine, alcoholic beverages.
- Available in chrome steel and stainless steel (suitable for food, beverage and pharmaceutical industry).
- Housings also available as complete sealed units for improved protection (wash down resistant version).
- Max. misalignment between shaft and housing: 2.5°

A	B	WEIGHT KG (IND.)	VERSION UFL AND UCFH			VERSION UCFLX AND UCFLXX		
			C	F	J	C	F	J
76,5	11	0,25	100	56	12	-	-	-
90	11	0,3	114	70	10	120	85	19
99	11	0,4	130	70	17	130	90	19
117	11	0,5	148	84	14,5	146	98	25
130	14	0,7	163	90	18	159	105	25
144	14	0,8	175	100	18	-	-	-



VERSION WITH ECCENTRIC RING



STANDARD VERSION

WASH DOWN RESISTANT VERSION

BEARINGS CHROME STEEL	SEPARATE CLOSED SAFETY CAP PART NO.	SEPARATE OPEN SAFETY CAP PART NO.
ITEM DESCRIPTION		

BEARINGS CHROME STEEL	
CLOSED CAP	OPEN CAP
ITEM DESCRIPTION	

COMPONENTS

Housing in reinforced polyamide. Seals in NBR rubber. High precision self-aligning ball bearings in chrome- or stainless steel, pre-lubricated. Grease nipples and spacers from nickel plated brass. Washers (where used) in AISI 304 (DIN 1.4301).

Safety cap in polypropylene. (When fitted with a stainless steel bearing, the grease nipple is in stainless steel).

SHAFT Ø	A	T	Ta	U	V	Z	ITEM DESCRIPTION	SEPARATE CLOSED SAFETY CAP PART NO.	SEPARATE OPEN SAFETY CAP PART NO.	ITEM DESCRIPTION	ITEM DESCRIPTION
20	76,5	39	8,5	47	49	26	UFLX204-20ME	50008	50008APE	UFLX204-20ME-CEC	UFLX204-20ME-OEC
20		39,4	8,5	48	50	26	UCFH204-20ME	50007	50007APE	UCFH204-20ME-CEC	UCFH204-20ME-OEC
25	90	38,4	7,5	52	54	25	UCFLX205-25ME	50003A	50003AAPE	UCFLX205-25ME-CEC	UCFLX205-25ME-OEC
30		40,7	5	52	54	25	UCFLX206-30ME	50003A	50003AAPE	UCFLX206-30ME-CEC	UCFLX206-30ME-OEC
25	99	40,4	9,5	52	54	29	UCFH205-25ME	50011	50011APE	UCFH205-25ME-CEC	UCFH205-25ME-OEC
30		40,7	5	52	54	25	UCFLX206-30ME	50003A	50003AAPE	UCFLX206-30ME-CEC	UCFLX206-30ME-OEC
30		42,2	6,5	51	53	29	UCFH206-30ME	50001	50001APE	UCFH206-30ME-CEC	UCFH206-30ME-OEC
35	117	49,4	10,5	67	69	35	UCFLX207-35ME	50002	50002APE	UCFLX207-35ME-CEC	UCFLX207-35ME-OEC
40		53,7	10	67	69	35	UCFLX208-40ME	50002	50002APE	UCFLX208-40ME-CEC	UCFLX208-40ME-OEC
35		48,4	9,5	64	66	33	UCFH207-35ME	50004	50004APE	UCFH207-35ME-CEC	UCFH207-35ME-OEC
40		54,7	11	67	69	35	UCFLX208-40ME	50002	50002APE	UCFLX208-40ME-CEC	UCFLX208-40ME-OEC
40	144	52,7	9	63	65	35	UCFH208-40ME	50002	50002APE	UCFH208-40ME-CEC	UCFH208-40ME-OEC

* Also available SealMaster® Triathlon® Bearings version, go to: **5 6 0 4 2 a**

Chains & sprockets	Wear strips	Side guide brackets & accessories	Levelers	Engineering manual
Modular belts & sprockets	Chain & belt return systems	Frame & structure supports	Bearing supports	
Curves & tracks	Side guide solutions	Miscellaneous products	Equipment	

5 6 0 4 2 a

TRIATHLON® WASHDOWN BEARING - 2 HOLE VERSIONS

HIGH PERFORMANCE PN GOLD™ MOUNTED BALL BEARING

www.SystemPlastSmartGuide.com



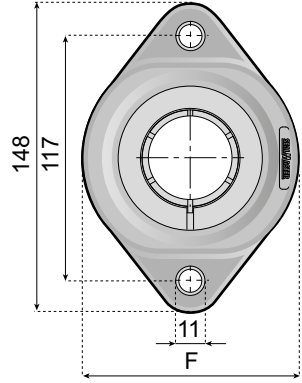
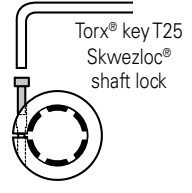
For shaft lock with grub screw, go to:
5 6 0 2 0 a

For shaft lock with eccentric ring, go to:
5 6 0 4 0 a

For new Sealmaster® Skwezloc® PN GOLD™ bearings, go to:
5 6 0 4 4 a

New

SEALMASTER



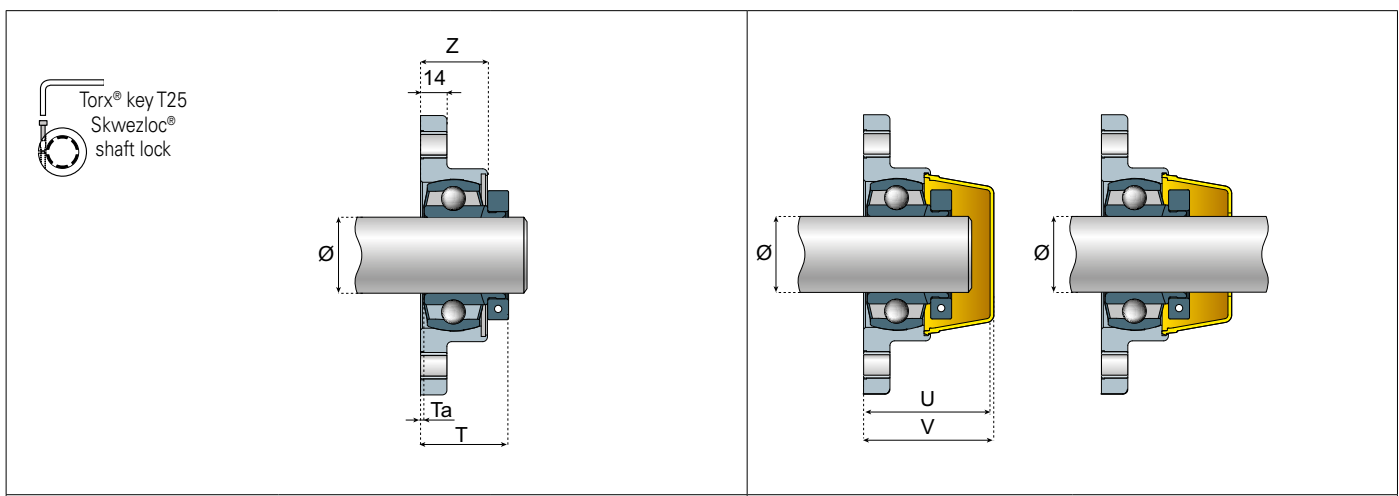
FEATURES AND BENEFITS

- High Phosphorous Nickel Plated Bearing Inner & Outer Ring for exceptional corrosion resistance.
- High Performance Triple Lip Seal to minimize contamination ingress and retain lubrication.
- Locking collar centers the shaft in the bearing bore and secures the shaft with near perfect concentricity.
- Reduced Bolt Hole Spacing to replace OEM compact conveyor designs with 30mm and 40mm shaft diameters.
- Durable polyamide housing with corrosion resistant bolt hole spacers.
- Securely fastened snap in end cap to further protect bearing with drain hole to prevent liquid build up inside.
- Lubed for Life design with Tapered Land Outer ring race profile to direct lubrication into the ball path.
- Max. mis-alignment between shaft and housing: 2°

COMPONENTS

Housing in reinforced polyamide light grey. High precision self-aligning ball bearings in hardened corrosion resistant steel. Spacers in nickel plated brass. Safety cap in polypropylene (transparent-yellow).

SHAFT Ø	T	Ta	U	V	Z	F
30	41,2	2	51	53	33	80
40	46,7	2	67	69	35	103



SHAFT Ø	ITEM DESCRIPTION	SEPARATE CLOSED SAFETY CAP PART NO.	SEPARATE OPEN SAFETY CAP PART NO.	CLOSED CAP	OPEN CAP
		ITEM DESCRIPTION			
30	UCFH206-30MT-PNLL-SG	CAP-C7023-IF-YT-SE	CAP7023-B30M-P-YT-SE	UCFH206-30MT-PNLL-SG-CEC	UCFH206-30MT-PNLL-SG-OEC
40	UCFHXX208-40MT-PNLL-SG	CAP-C8437-IF-YT-SE	CAP8437-B40M-P-YT-SE	UCFHXX208-40MT-PNLL-SG-CEC	UCFHXX208-40MT-PNLL-SG-OEC

TORX is believed to be the trademark and/or trade name of Acument Intellectual Properties, LLC, and is not owned or controlled by Regal Beloit Corporation.

Chains & sprockets	Wear strips	Side guide brackets & accessories	Levelers	Engineering manual
Modular belts & sprockets	Chain & belt return systems	Frame & structure supports	Bearing supports	
Curves & tracks	Side guide solutions	Miscellaneous products	Equipment	

56044a
www.SystemPlastSmartGuide.com

PN GOLD™ BEARING - 2 HOLE VERSIONS
HIGH PERFORMANCE PN GOLD™ MOUNTED BALL BEARING



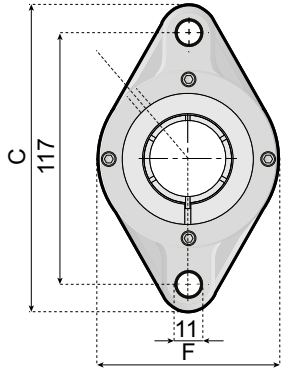
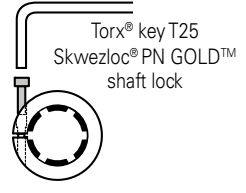
For shaft lock with grub screw, go to:
56020a

For shaft lock with eccentric ring, go to:
56040a

For new Sealmaster® Skwezloc® bearings, go to:
56042a

New

SEALMASTER®



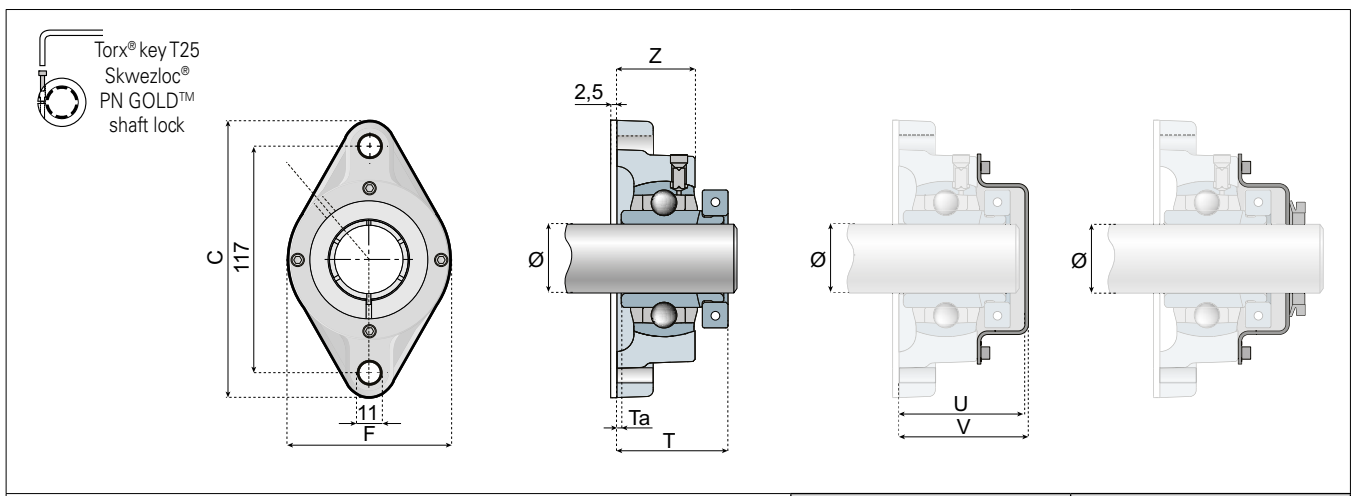
FEATURES AND BENEFITS

Sealmaster PN GOLD™ mounted bearings feature high phosphorus, electroless nickel coated steel insert with patented seal technology available in either setscrew or SKWEZLOC® concentric locking collar, 316 stainless casting and high strength housing configurations. The high performance triple lip seal is the latest innovation of over 10 patents on sealing technology. The combination of stainless flingers and FKM lip materials provide a strong contaminant resistance and GoldPlex® FG (USDA H1) food grade grease loss. Specially engineered for industries with corrosive wash down environments such as food and beverage, pharmaceuticals and chemical processing. PN GOLD mounted ball bearings provide outstanding performance in demanding corrosive environments.

COMPONENTS

- Bearing Housing Material: 316 Passivated stainless steel
- Bearing Insert Material: High phosphorus electroless nickel coated steel
- Seal Material: High performance triple lip seal
- Self Alignment: +/- 2°
- Lock Type: Skwezloc concentric locking collar
- Temperature: -29° to 104° C (-20° to 220° F)
- Grease: Sealmaster GoldPlex-FG
- End cap in stainless steel (bolts included) - must be ordered separately

SHAFT Ø	T	Ta	U	V	Z	F	C
30	39,6	1,6	45,3	46,5	29	82,6	141
40	44,4	1,6	53,2	54,4	32,3	105,6	157



SHAFT Ø	ITEM DESCRIPTION	VERSION WITHOUT SAFETY CAP	
		SEPARATE CLOSED SAFETY CAP PART NO.	SEPARATE OPEN SAFETY CAP PART NO.
30	CRBFTS-PN206T-RMW	BEC-19	BEO-19
40	CRBFTRS-PN208T-RMW	BEC-24	BEO-24

TORX is believed to be the trademark and/or trade name of Acument Intellectual Properties, LLC, and is not owned or controlled by Regal Beloit Corporation.

Chains & sprockets	Wear strips	Side guide brackets & accessories	Levelers	Engineering manual
Modular belts & sprockets	Chain & belt return systems	Frame & structure supports	Bearing supports	
Curves & tracks	Side guide solutions	Miscellaneous products	Equipment	

5 6 0 5 0 a

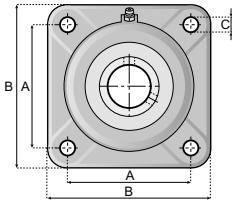
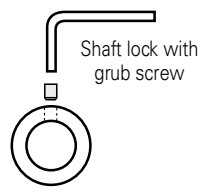
FLANGED HOUSINGS - 4 HOLE VERSIONS
GRUB SCREW VERSION - FOR SHAFT DIAMETERS: 20-40mm

For shaft lock with eccentric ring, go to: **5 6 0 7 0 a**

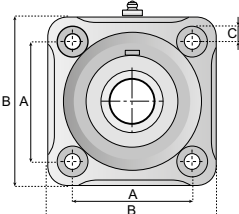
Also available for 12-17 mm shaft diameters. Go to: **5 6 0 6 0 a**

For new Sealmaster® Skwezloc® bearings, go to: **5 6 0 7 2 a**

For new Sealmaster® Skwezloc® PN GOLD™ bearings, go to: **5 6 0 7 4 a**



Type A:
Flat bearing with grease nipple (angle 25°) and ribs.

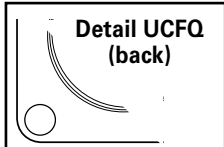
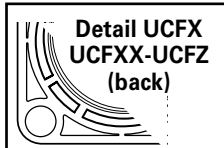


Type B:
Flat bearing with grease nipple (horizontal 0°).

TECHNICAL INFORMATION

- Type UCFQ has a solid polyamide housing for ultimate strength, no trap for contamination. (UCF type has a ribbed back).
- Good resistance against many corrosive chemicals such as water, oils, greases, petrol, milk, wine, alcoholic beverages.
- Available in chrome steel and stainless steel (suitable for food, beverage and pharmaceutical industry).
- Housings also available as complete sealed units for improved protection (wash down resistant version).
- Max. mis-alignment between shaft and housing: 2.5°

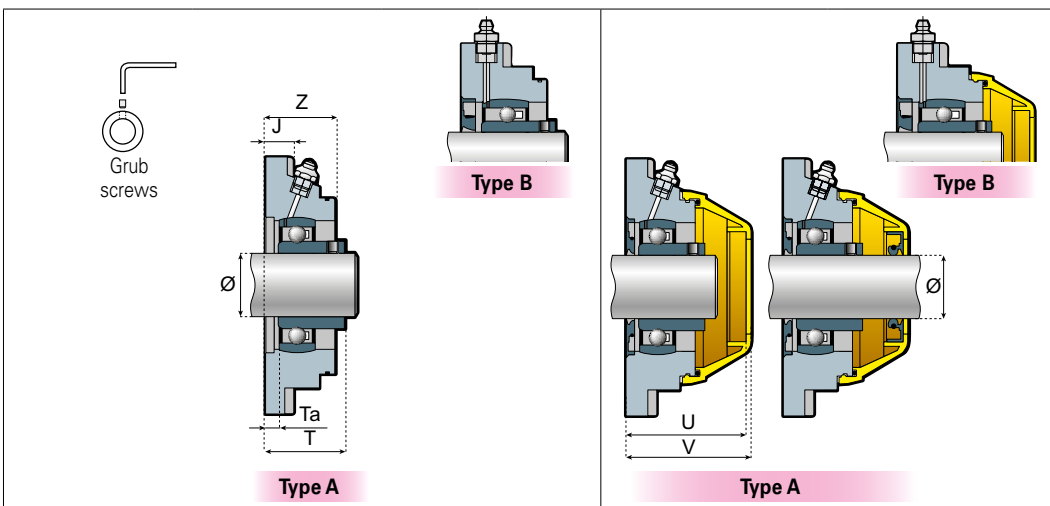
A	C	WEIGHT KG (IND.)	VERSION UCFQ		VERSION UCFX, UCFZ, UCFE AND UCFXX	
			B	J	B	J
63,5	11	0,2	86	10	86	19
70	11	0,3	95	12,5	98	19
77	11	-	-	-	110	25
83	11	0,5	108	12,5	110	25
92	14	0,6	118	16	118	25
101,5	14	0,8	130	16	130	25



COMPONENTS

Housing in reinforced polyamide. Seals in NBR rubber. High precision self-aligning ball bearings in chrome or stainless steel, pre-lubricated. Grease nipples and spacers from nickel plated brass. Washers (where used) in AISI 304 (DIN 1.4301). Safety cap in polypropylene. (When fitted with a stainless steel bearing, the grease nipple is in stainless steel).

VERSION WITH GRUB SCREWS



SHAFT Ø	TYPE	A	T	Ta	U	V	Z	STANDARD VERSION		SEPARATE CLOSED SAFETY CAP PART NO.	SEPARATE OPEN SAFETY CAP PART NO.	WASH DOWN RESISTANT VERSION	
								CHROME STEEL	STAINLESS STEEL			BEARINGS CHROME STEEL	
								ITEM DESCRIPTION				CLOSED CAP	OPEN CAP
20	A	63,5	33,5	8,5	48	50	26	UCFQ204-20M	UCFQ204-20M-SS	50007	50007APE	UCFQ204-20M-CEC	UCFQ204-20M-OEC
25	B	63	34,5	7,5	50	52	34,5	UCFX205-25M	UCFX205-25M-SS	50003A	50003AAPE	UCFX205-25M-CEC	UCFX205-25M-OEC
20	B	70	34	9	50	52	25	UCFZ204-20M	UCFZ204-20M-SS	50003A	50003AAPE	UCFZ204-20M-CEC	UCFZ204-20M-OEC
25	A		36,5	9,5	52	54	29	UCFQ205-25M	UCFQ205-25M-SS	50011	50011APE	UCFQ205-25M-CEC	UCFQ205-25M-OEC
30	B	77	46	14	68	70	36	UCFX206-30M	UCFX206-30M-SS	50004	50004APE	UCFX206-30M-CEC	UCFX206-30M-OEC
40	B		44	10	68	70	36	UCFXX208-40M	UCFXX208-40M-SS	50004	50004APE	UCFXX208-40M-CEC	UCFXX208-40M-OEC
25	B	83	38,5	11,5	53	55	31	UCFZ205-25M	UCFZ205-25M-SS	50001	50001APE	UCFZ205-25M-CEC	UCFZ205-25M-OEC
30	A		36,5	6,5	51	53	29	* UCFQ206-30M	UCFQ206-30M-SS	50001	50001APE	* UCFQ206-30M-CEC	* UCFQ206-30M-OEC
35	B	92	43,5	11,5	67	69	35	UCFX207-35M	UCFX207-35M-SS	50002	50002APE	UCFX207-35M-CEC	UCFX207-35M-OEC
40	B		45	11	67	69	35	* UCFXX208-40M	UCFXX208-40M-SS	50002	50002APE	* UCFXX208-40M-CEC	* UCFXX208-40M-OEC
35	A	101,5	41,5	9,5	64	66	33	UCFQ207-35M	UCFQ207-35M-SS	50004	50004APE	UCFQ207-35M-CEC	UCFQ207-35M-OEC
40	B		45	11	67	69	35	UCFX208-40M	UCFX208-40M-SS	50002	50002APE	UCFX208-40M-CEC	UCFX208-40M-OEC
40	A	101,5	43	9	63	65	35	UCFQ208-40M	UCFQ208-40M-SS	50002	50002APE	UCFQ208-40M-CEC	UCFQ208-40M-OEC

* Also available SealMaster® Triathlon® Bearings version, go to: **5 6 0 7 2 a**

Chains & sprockets	Wear strips	Side guide brackets & accessories	Levelers	Engineering manual
Modular belts & sprockets	Chain & belt return systems	Frame & structure supports	Bearing supports	
Curves & tracks	Side guide solutions	Miscellaneous products	Equipment	

56060a

FLANGED BEARING UCFO / UCFO-R / UCFO-RL

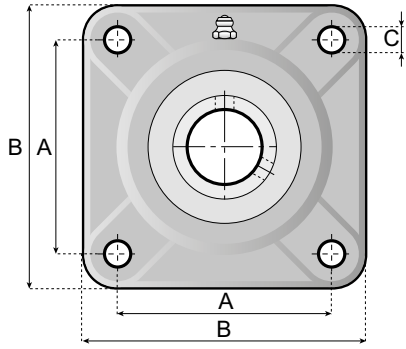
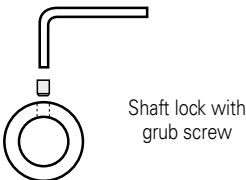
www.SystemPlastSmartGuide.com

FOR SHAFT DIAMETERS: 12-17mm



Also available for 20-40 mm shaft diameters. Go to:

56050a

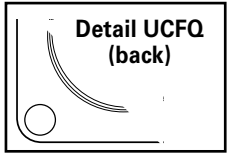


TECHNICAL INFORMATION

- Type UCFO has a solid polyamide housing for ultimate strength; no trap for contamination.
- Good resistance against many corrosive chemicals such as water, oils, greases, petrol, milk, wine, alcoholic beverages.
- Housings also available as complete sealed units for improved protection (wash down resistant version).
- Max. mis-alignment between shaft and housing: 2.5°

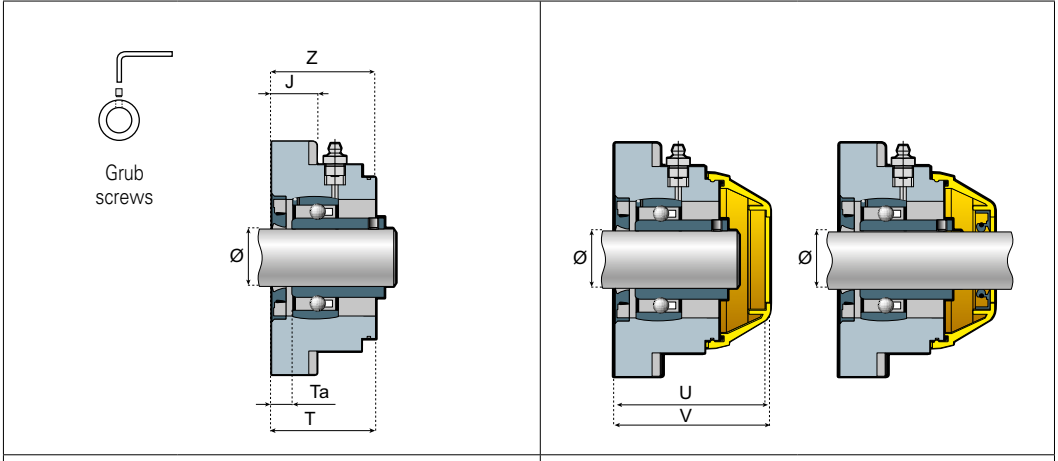
A	B	C	J	WEIGHT KG(IND.)
54	76	11	10	0,18

VERSION WITH GRUB SCREWS



COMPONENTS

Housing in reinforced polyamide. Seals in NBR rubber. High precision self-aligning ball bearings in chrome or stainless steel, pre-lubricated. Grease nipples and spacers from nickel plated brass. Washers (where used) in AISI 304 (DIN 1.4301). Safety cap in polypropylene. (When fitted with a stainless steel bearing, the grease nipple is in stainless steel).



STANDARD VERSION				WASH DOWN RESISTANT VERSION	
BEARINGS		SEPARATE CLOSED SAFETY CAP PART NO.	SEPARATE OPEN SAFETY CAP PART NO.	BEARINGS CHROME STEEL	
CHROME STEEL	STAINLESS STEEL			CLOSED CAP	OPEN CAP
ITEM DESCRIPTION		ITEM DESCRIPTION			
12	-	50008	50008APE	UCFQZ201-12M-CEC	UCFQZ201-12M-OEC
15	-			UCFQZ202-15M-CEC	UCFQZ202-15M-OEC
16	-			UCFQZ016-16M-CEC	UCFQZ016-16M-OEC
17	-			UCFQZ203-17M-CEC	UCFQZ203-17M-OEC
17	-				

Chains & sprockets	Wear strips	Side guide brackets & accessories	Levelers	Engineering manual
Modular belts & sprockets	Chain & belt return systems	Frame & structure supports	Bearing supports	
Curves & tracks	Side guide solutions	Miscellaneous products	Equipment	

56070a

FLANGED HOUSINGS - 4 HOLE VERSIONS - ECCENTRIC LOCK

www.SystemPlastSmartGuide.com

FOR SHAFT DIAMETERS: 20-40mm

For shaft lock with grub screw, go to: **56050a**

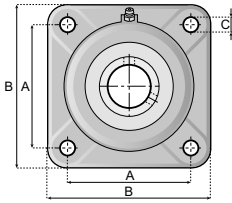
Also available for 12-17 mm shaft diameters. Go to: **56060a**

For new Sealmaster® Skwezloc® bearings, go to: **56072a**

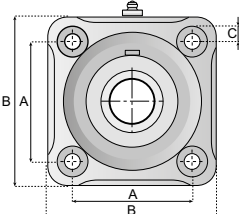
For new Sealmaster® Skwezloc® PN GOLD™ bearings, go to: **56074a**



Shaft lock with eccentric ring



Type A:
Flat bearing with grease nipple (angle 25°) and ribs.

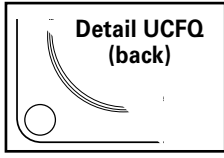
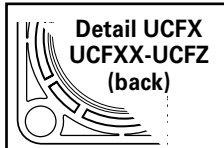


Type B:
Flat bearing with grease nipple (horizontal 0°).

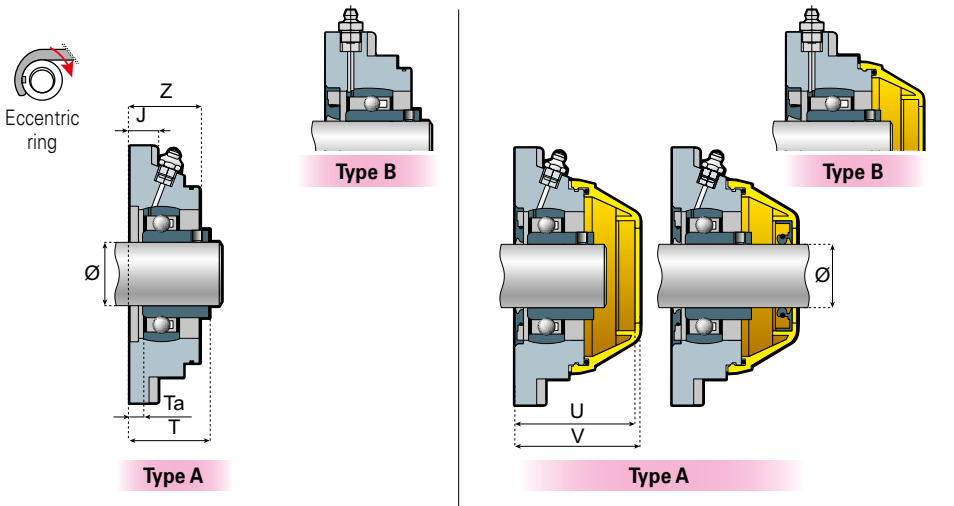
TECHNICAL INFORMATION

- Type UCFQ has a solid polyamide housing for ultimate strength; no trap for contamination. (UCF type has a ribbed back).
- Good resistance against many corrosive chemicals such as water, oils, greases, petrol, milk, wine, alcoholic beverages.
- Available in chrome steel and stainless steel (suitable for food, beverage and pharmaceutical industry).
- Housings also available as complete sealed units for improved protection (wash down resistant version).
- Max. mis-alignment between shaft and housing: 2.5°

A	C	WEIGHT KG (IND.)	VERSION UCFQ		VERSION UCFX, UCFZ, UCFE AND UCFXX	
			B	J	B	J
63,5	11	0,2	86	10	86	19
70	11	0,3	95	12,5	98	19
77	11	-	-	-	110	25
83	11	0,5	108	12,5	110	25
92	14	0,6	118	16	118	25
101,5	14	0,8	130	16	130	25



VERSION WITH ECCENTRIC RING



COMPONENTS

Housing in reinforced polyamide. Seals in NBR rubber. High precision self-aligning ball bearings in chrome- or stainless steel, pre-lubricated. Grease nipples and spacers from nickel plated brass. Washers (where used) in AISI 304 (DIN 1.4301). Safety cap in polypropylene. (When fitted with a stainless steel bearing, the grease nipple is in stainless steel).

SHAFT Ø	TYPE	A	T	Ta	U	V	Z	STANDARD VERSION			WASH DOWN RESISTANT VERSION	
								BEARINGS CHROME STEEL	SEPARATE CLOSED SAFETY CAP PART NO.	SEPARATE OPEN SAFETY CAP PART NO.	BEARINGS CHROME STEEL	
											CLOSED CAP	OPEN CAP
ITEM DESCRIPTION								ITEM DESCRIPTION				
20	A	63,5	39,4	8,5	48	50	26	UCFQ204-20ME	50007	50007APE	UCFQ204-20ME-CEC	UCFQ204-20ME-OEC
25	B	63	38,4	7,5	50	52	25	UCFX205-25ME	50003A	50003AAPE	UCFX205-25ME-CEC	UCFX205-25ME-OEC
20	B	70	39,9	9	50	52	25	UCFZ204-20ME	50003A	50003AAPE	UCFZ204-20ME-CEC	UCFZ204-20ME-OEC
25	A		40,4	9,5	52	54	29	UCFQ205-25ME	50011	50011APE	UCFQ205-25ME-CEC	UCFQ205-25ME-OEC
30	B	77	49,7	14	68	70	36	UCFX206-30ME	50004	50004APE	UCFX206-30ME-CEC	UCFX206-30ME-OEC
40	B		53,7	10	68	70	36	UCFXX208-40ME	50004	50004APE	UCFXX208-40ME-CEC	UCFXX208-40ME-OEC
25	B	83	42,4	11,5	53	55	31	UCFZ205-25ME	50001	50001APE	UCFZ205-25ME-CEC	UCFZ205-25ME-OEC
30	A		42,2	6,5	51	53	29	* UCFQ206-30ME	50001	50001APE	* UCFQ206-30ME-CEC	* UCFQ206-30ME-OEC
35	B		50,4	11,5	67	69	35	UCFX207-35ME	50002	50002APE	UCFX207-35ME-CEC	UCFX207-35ME-OEC
40	B	92	54,7	11	67	69	35	* UCFXX208-40ME	50002	50002APE	* UCFXX208-40ME-CEC	* UCFXX208-40ME-OEC
35	A		48,4	9,5	64	66	33	UCFQ207-35ME	50004	50004APE	UCFQ207-35ME-CEC	UCFQ207-35ME-OEC
40	B	101,5	54,7	11	67	69	35	UCFX208-40ME	50002	50002APE	UCFX208-40ME-CEC	UCFX208-40ME-OEC
40	A		52,7	9	63	65	35	UCFQ208-40ME	50002	50002APE	UCFQ208-40ME-CEC	UCFQ208-40ME-OEC

* Also available SealMaster® Triathlon® Bearings version, go to: **56072a**

Chains & sprockets	Wear strips	Side guide brackets & accessories	Levelers	Engineering manual
Modular belts & sprockets	Chain & belt return systems	Frame & structure supports	Bearing supports	
Curves & tracks	Side guide solutions	Miscellaneous products	Equipment	


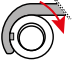
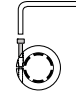
5 6 0 7 2 a

TRIATHLON® WASHDOWN BEARING - 4 HOLE VERSIONS

HIGH PERFORMANCE PN GOLD™ MOUNTED BALL BEARING

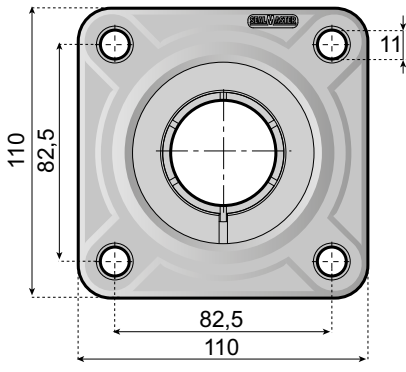
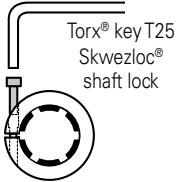
www.SystemPlastSmartGuide.com



-  For shaft lock with grub screw, go to: **5 6 0 5 0 a**
-  For shaft lock with eccentric ring, go to: **5 6 0 7 0 a**
-  For new Sealmaster® Skwezloc® PN GOLD™ bearings, go to: **5 6 0 7 4 a**

New

SEALMASTER®



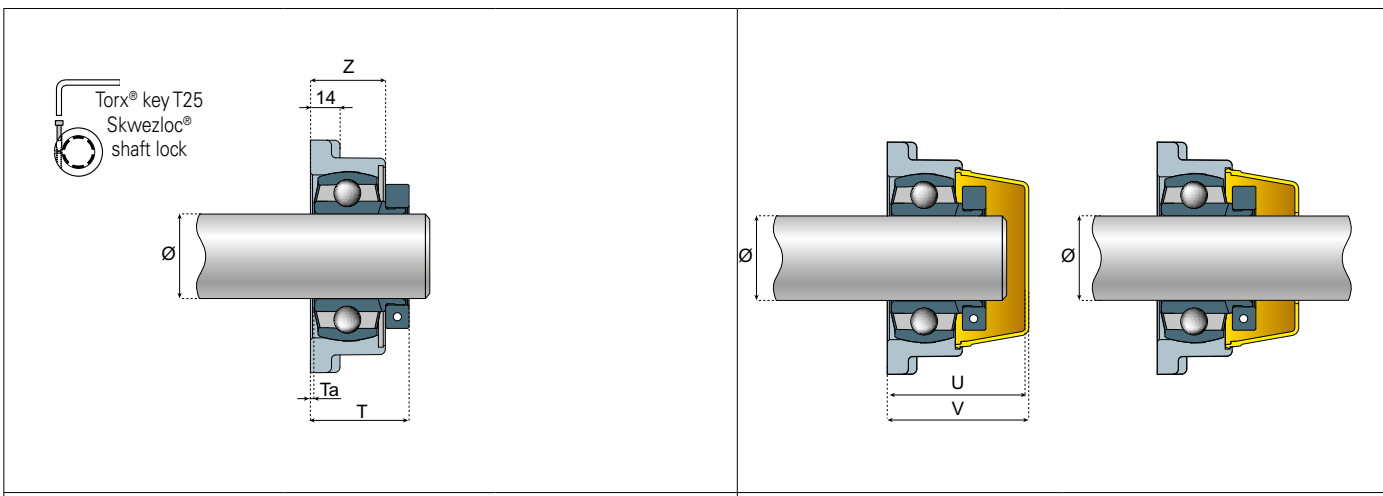
FEATURES AND BENEFITS

- High Phosphorous Nickel Plated Bearing Inner & Outer Ring for exceptional corrosion resistance.
- High Performance Triple Lip Seal to minimize contamination ingress and retain lubrication.
- Locking collar centers the shaft in the bearing bore and secures the shaft with near perfect concentricity.
- Reduced Bolt Hole Spacing to replace OEM compact conveyor designs with 30mm and 40mm shaft diameters.
- Durable polyamide housing with corrosion resistant bolt hole spacers.
- Securely fastened snap in end cap to further protect bearing with drain hole to prevent liquid build up inside.
- Lubed for Life design with Tapered Land Outer ring race profile to direct lubrication into the ball path.
- Max. mis-alignment between shaft and housing: 2°

COMPONENTS

Housing in reinforced polyamide light grey. High precision self-aligning ball bearings in hardened corrosion resistant steel. Spacers in nickel plated brass. Safety cap in polypropylene (transparent-yellow).

SHAFT Ø	T	Ta	U	V	Z
30	41,2	2	51	53	33
40	46,7	2	67	69	35



SHAFT Ø	ITEM DESCRIPTION	SEPARATE CLOSED SAFETY CAP PART NO.	SEPARATE OPEN SAFETY CAP PART NO.	CLOSED CAP	OPEN CAP
		ITEM DESCRIPTION			
30	UCFQ206-30MT-PNLL-SG	CAP-C7023-IF-YT-SE	CAP7023-B30M-P-YT-SE	UCFQ206-30MT-PNLL-SG-CEC	UCFQ206-30MT-PNLL-SG-OEC
40	UCFQXX208-40MT-PNLL-SG	CAP-C8437-IF-YT-SE	CAP8437-B40M-P-YT-SE	UCFQXX208-40MT-PNLL-SG-CEC	UCFQXX208-40MT-PNLL-SG-OEC

TORX is believed to be the trademark and/or trade name of Acument Intellectual Properties, LLC, and is not owned or controlled by Regal Beloit Corporation.

Chains & sprockets	Wear strips	Side guide brackets & accessories	Levelers	Engineering manual
Modular belts & sprockets	Chain & belt return systems	Frame & structure supports	Bearing supports	
Curves & tracks	Side guide solutions	Miscellaneous products	Equipment	

5 6 0 7 4 a

PN GOLD™ BEARING - 4 HOLE VERSIONS

HIGH PERFORMANCE PN GOLD™ MOUNTED BALL BEARING

www.SystemPlastSmartGuide.com

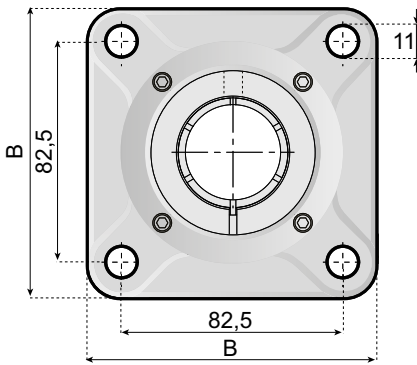
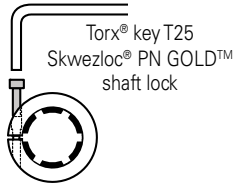


-  For shaft lock with grub screw, go to: **5 6 0 5 0 a**
-  For shaft lock with eccentric ring, go to: **5 6 0 7 0 a**
-  For new Sealmaster® Skwezloc® bearings, go to: **5 6 0 7 4 a**

New



SEALMASTER®



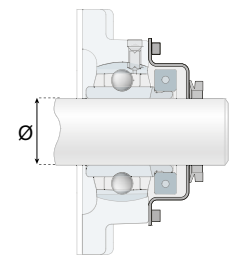
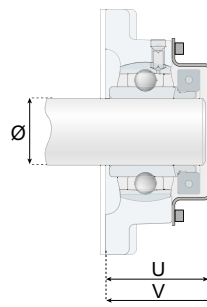
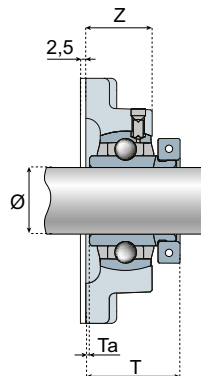
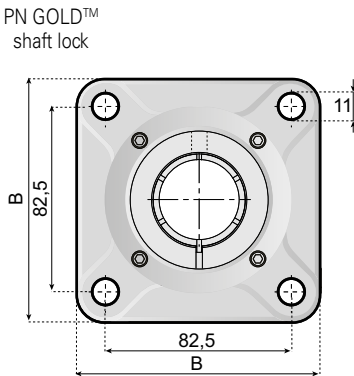
FEATURES AND BENEFITS

Sealmaster PN GOLD™ mounted bearings feature high phosphorus, electroless nickel coated steel insert with patented seal technology available in either setscrew or SKWEZLOC® concentric locking collar, 316 stainless casting and high strength housing configurations. The high performance triple lip seal is the latest innovation of over 10 patents on sealing technology. The combination of stainless flingers and FKM lip materials provide a strong contaminant resistance and GoldPlex® FG (USDA H1) food grade grease loss. Specially engineered for industries with corrosive wash down environments such as food and beverage, pharmaceuticals and chemical processing. PN GOLD mounted ball bearings provide outstanding performance in demanding corrosive environments.

COMPONENTS

- Bearing Housing Material: 316 Passivated stainless steel
- Bearing Insert Material: High phosphorus electroless nickel coated steel
- Seal Material: High performance triple lip seal
- Self Alignment: +/- 2°
- Lock Type: Skwezloc concentric locking collar
- Temperature: -29° to 104° C (-20° to 220° F)
- Grease: Sealmaster GoldPlex-FG
- End cap in stainless steel (bolts included) - must be ordered separately

SHAFT Ø	T	Ta	U	V	Z	B
30	39,6	1,6	45,3	46,5	29	108
40	44,4	1,6	53,2	54,4	32,3	111



VERSION WITHOUT SAFETY CAP

SHAFT Ø	ITEM DESCRIPTION	SEPARATE CLOSED SAFETY CAP PART NO.	SEPARATE OPEN SAFETY CAP PART NO.
30	CRBFS-PN206T-RMW	BEC-19	BEO-19
40	CRBFRS-PN208T-RMW	BEC-24	BEO-24

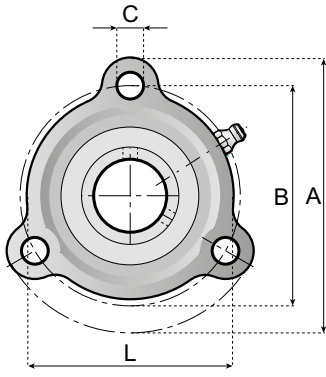
Chains & sprockets	Wear strips	Side guide brackets & accessories	Levelers	Engineering manual
Modular belts & sprockets	Chain & belt return systems	Frame & structure supports	Bearing supports	
Curves & tracks	Side guide solutions	Miscellaneous products	Equipment	



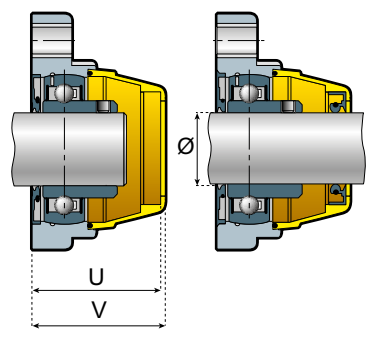
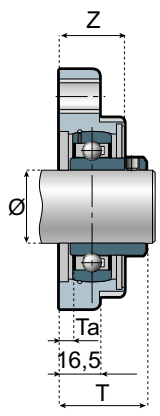
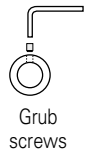
5 6 0 8 0 a

FLANGED BEARING UCFCG/UCFG-R

www.SystemPlastSmartGuide.com



VERSION WITH GRUB SCREWS



STANDARD VERSION

WASH DOWN RESISTANT VERSION

BEARINGS		SEPARATE CLOSED SAFETY CAP PART NO.	SEPARATE OPEN SAFETY CAP PART NO.
CHROME STEEL	STAINLESS STEEL		

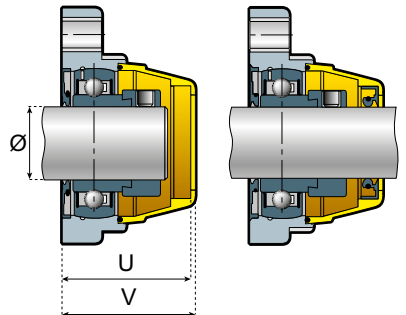
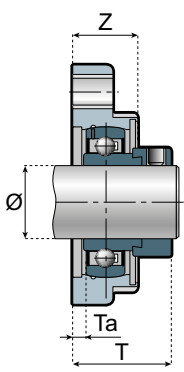
BEARINGS CHROME STEEL	
CLOSED CAP	OPEN CAP

TECHNICAL INFORMATION

- Good resistance against many corrosive chemicals such as water, oils, greases, petrol, milk, wine, alcoholic beverages.
- Available in chrome steel and stainless steel bearings, (suitable for food, beverage and pharmaceutical industry).
- Housings also available as complete sealed units for improved protection (wash down resistant version).
- Max. mis-alignment between shaft and housing: 2.5°

SHAFT Ø	A	B	C	L	T	Ta	U	V	Z	ITEM DESCRIPTION		ITEM DESCRIPTION			
										CHROME STEEL	STAINLESS STEEL	CLOSED CAP	OPEN CAP		
25	95,5	76,2	8,5	71	33	6	48	50	25	UCFCG205-25M	UCFCG205-25M-SS	50009	50009APE	UCFCG205-25M-CEC	UCFCG205-25M-OEC
30	113	91	11	84,1	35,5	5,5	54	56	27	UCFCG206-30M	UCFCG206-30M-SS	50027	50027APE	UCFCG206-30M-CEC	UCFCG206-30M-OEC
35	126,5	101,5	11	93,7	41,5	9,5	60	62	33	UCFCG207-35M	UCFCG207-35M-SS	50010	50010APE	UCFCG207-35M-CEC	UCFCG207-35M-OEC

VERSION WITH ECCENTRIC RING



STANDARD VERSION

WASH DOWN RESISTANT VERSION

BEARINGS CHROME STEEL	SEPARATE CLOSED SAFETY CAP PART NO.	SEPARATE OPEN SAFETY CAP PART NO.
-----------------------	-------------------------------------	-----------------------------------

BEARINGS CHROME STEEL	
CLOSED CAP	OPEN CAP

COMPONENTS

Housing in reinforced polyamide. Seals in NBR rubber. High precision self-aligning ball bearings in chrome- or stainless steel, pre-lubricated. Grease nipples and spacers from nickel plated brass. Washers (where used) in AISI 304 (DIN 1.4301). Safety cap in polypropylene. (When fitted with a stainless steel bearing, the grease nipple is in stainless steel).

SHAFT Ø	A	B	C	L	T	Ta	U	V	Z	ITEM DESCRIPTION		ITEM DESCRIPTION		
										CHROME STEEL	STAINLESS STEEL	CLOSED CAP	OPEN CAP	
25	95,5	76,2	8,5	71	36,9	6	48	50	25	UCFCG205-25ME	50009	50009APE	UCFCG205-25ME-CEC	UCFCG205-25ME-OEC
30	113	91	11	84,1	41,2	5,5	54	56	27	UCFCG206-30ME	50027	50027APE	UCFCG206-30ME-CEC	UCFCG206-30ME-OEC
35	126,5	101,5	11	93,7	48,4	9,5	60	62	33	UCFCG207-35ME	50010	50010APE	UCFCG207-35ME-CEC	UCFCG207-35ME-OEC

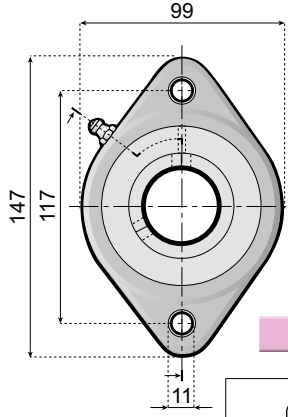
Chains & sprockets	Wear strips	Side guide brackets & accessories	Levelers	Engineering manual
Modular belts & sprockets	Chain & belt return systems	Frame & structure supports	Bearing supports	
Curves & tracks	Side guide solutions	Miscellaneous products	Equipment	



56090a

STAINLESS STEEL FLANGED BEARING CL / CLR

www.SystemPlastSmartGuide.com



TECHNICAL INFORMATION

- Housing reinforced and protected with polished stainless steel cover.
- Solid polyamide housing for ultimate strength; no trap for contaminants.
- Good resistance to highly corrosive chemicals such as acid, organic liquids, detergents.
- High load capacity.

VERSION WITH GRUB SCREWS

Grub screws

			STANDARD VERSIONS				WASH DOWN RESISTANT VERSION			
			BEARINGS CHROME STEEL	SEPARATE CLOSED SAFETY CAP PART NO.	SEPARATE OPEN SAFETY CAP PART NO.	BEARINGS CHROME STEEL		BEARINGS STAINLESS STEEL		
			CLOSED CAP			OPEN CAP	CLOSED CAP	OPEN CAP		
			ITEM DESCRIPTION				ITEM DESCRIPTION			
SHAFT Ø	T	Ta	ITEM DESCRIPTION	50002	50002APE	CL206-30M-CEC	CL206-30M-OEC	CL206-30M-SS-CEC	CL206-30M-SS-OEC	
30	43	13	CL206-30M							
35	52,5	11	CLX207-35M			CLX207-35M-CEC	CLX207-35M-OEC	CLX207-35M-SS-CEC	CLX207-35M-SS-OEC	
40	43,3	9,3	CLXX208-40M			CLXX208-40M-CEC	CLXX208-40M-OEC	CLXX208-40M-SS-CEC	CLXX208-40M-SS-OEC	

VERSION WITH ECCENTRIC RING

Eccentric ring

			STANDARD VERSIONS			WASH DOWN RESISTANT VERSION		
			BEARINGS CHROME STEEL	SEPARATE CLOSED SAFETY CAP PART NO.	SEPARATE OPEN SAFETY CAP PART NO.	BEARINGS CHROME STEEL		
					CLOSED CAP		OPEN CAP	
			ITEM DESCRIPTION				ITEM DESCRIPTION	
SHAFT Ø	T	Ta	ITEM DESCRIPTION	50002	50002APE	CL206-30ME-CEC	CL206-30ME-OEC	
30	48,7	13	CL206-30ME					
35	49,4	10,5	CLX207-35ME			CLX207-35ME-CEC	CLX207-35ME-OEC	
40	53	9,25	CLXX208-40ME			CLXX208-40ME-CEC	CLXX208-40ME-OEC	

COMPONENTS

Housing in reinforced polyamide. Cover housing in stainless steel AISI 304-DIN 1.4301. Seals in NBR rubber. Self aligning ball bearing in chrome or stainless steel, pre-lubricated. Nickel plated brass ball-type grease nipple. Spacers from nickel plated brass. Safety cap in polypropylene.

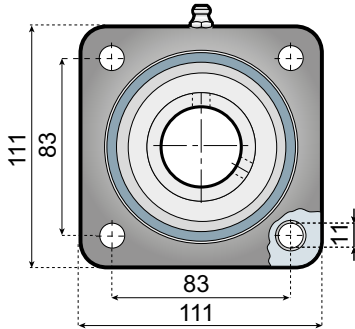
Chains & sprockets	Wear strips	Side guide brackets & accessories	Levelers	Engineering manual
Modular belts & sprockets	Chain & belt return systems	Frame & structure supports	Bearing supports	
Curves & tracks	Side guide solutions	Miscellaneous products	Equipment	



56100a

FLANGED BEARING CS / CSR

www.SystemPlastSmartGuide.com

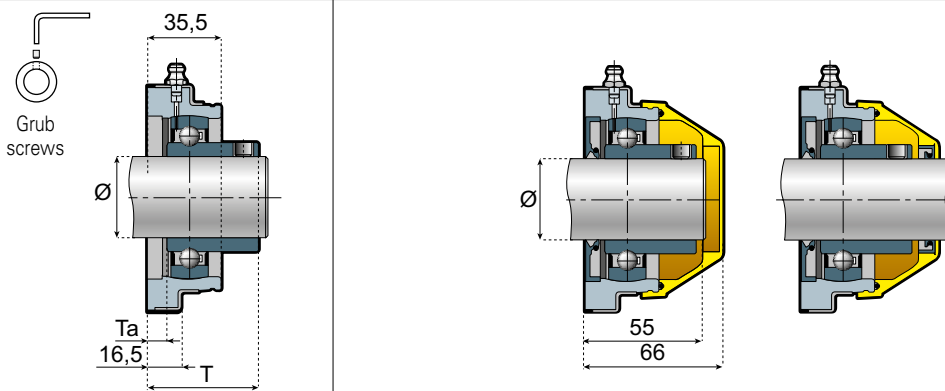


TECHNICAL INFORMATION

- Housing reinforced and protected with polished stainless steel cover.
- Solid polyamide housing for ultimate strength; no trap for contaminants.
- Good resistance to highly corrosive chemicals such as acid, organic liquids, detergents.
- High load capacity.



VERSION WITH GRUB SCREWS

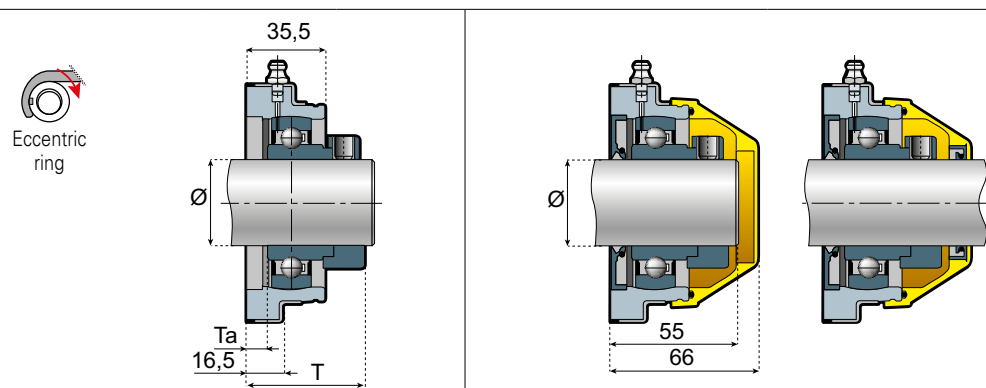


STANDARD VERSION

WASH DOWN RESISTANT VERSION

SHAFT Ø	T	Ta	BEARINGS CHROME STEEL ITEM DESCRIPTION	SEPARATE CLOSED SAFETY CAP PART NO.	SEPARATE OPEN SAFETY CAP PART NO.	BEARINGS CHROME STEEL		BEARINGS STAINLESS STEEL	
						CLOSED CAP	OPEN CAP	CLOSED CAP	OPEN CAP
						ITEM DESCRIPTION		ITEM DESCRIPTION	
30	43	13	CS206-30M	50002	50002APE	CS206-30M-CEC	CS206-30M-OEC	CS206-30M-SS-CEC	CS206-30M-SS-OEC
35	52,5	11	CSX207-35M	50002	50002APE	CSX207-35M-CEC	CSX207-35M-OEC	CSX207-35M-SS-CEC	CSX207-35M-SS-OEC
40	43,3	9,3	CSXX208-40M	50002	50002APE	CSXX208-40M-CEC	CSXX208-40M-OEC	CSXX208-40M-SS-CEC	CSXX208-40M-SS-OEC

VERSION WITH ECCENTRIC RING



STANDARD VERSION

WASH DOWN RESISTANT VERSION

SHAFT Ø	T	Ta	BEARINGS CHROME STEEL ITEM DESCRIPTION	SEPARATE CLOSED SAFETY CAP PART NO.	SEPARATE OPEN SAFETY CAP PART NO.	BEARINGS CHROME STEEL	
						CLOSED CAP	OPEN CAP
						ITEM DESCRIPTION	
30	48,7	13	CS206-30ME	50002	50002APE	CS206-30ME-CEC	CS206-30ME-OEC
35	49,4	10,5	CSX207-35ME	50002	50002APE	CSX207-35ME-CEC	CSX207-35ME-OEC
40	52,95	9,25	CSXX208-40ME	50002	50002APE	CSXX208-40ME-CEC	CSXX208-40ME-OEC
40	44,7	1	CSCXX208-40ME	50002	50002APE	-	-

COMPONENTS

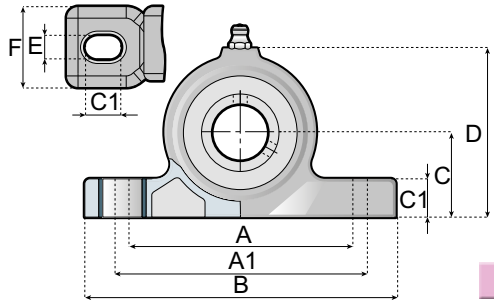
Housing in reinforced polyamide. Cover housing in stainless steel AISI 304-DIN 1.4301. Seals in NBR rubber. Self aligning ball bearing in chrome or stainless steel, pre-lubricated. Nickel plated brass ball-type grease nipple. Spacers from nickel plated brass. Safety cap in polypropylene.

Chains & sprockets	Wear strips	Side guide brackets & accessories	Levelers	Engineering manual
Modular belts & sprockets	Chain & belt return systems	Frame & structure supports	Bearing supports	
Curves & tracks	Side guide solutions	Miscellaneous products	Equipment	

5 6 1 1 0 a

PILLOW BLOCK BEARING UCP

www.SystemPlastSmartGuide.com



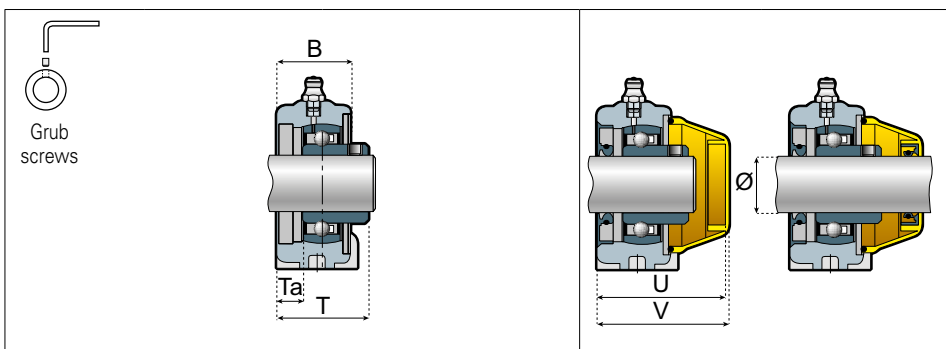
A	A1	B	C	C1	D	E	E1	F	WEIGHT KG(IND.)
91	103	127	33,3	16	67	11	17	31	0,33
97	109	135	36,5	16	72,5	11	17	35	0,42
111	129	156	42,9	21,5	87	13	22	41	0,55
117	135	164	47,6	21,5	95	13	22	45	0,78
129	147	179	49,2	21,5	100	13	22	48	0,97



TECHNICAL INFORMATION

- Good resistance against many corrosive. Chemicals such as water, oils, greases, petrol, milk, wine, alcoholic beverages.
- Available in chrome steel and stainless steel bearings, (suitable for food, beverage and pharmaceutical industry).
- Housings also available as complete sealed units for improved protection (wash down resistant version).
- Max. mis-alignment between shaft and housing: 2.5°

VERSION WITH GRUB SCREWS

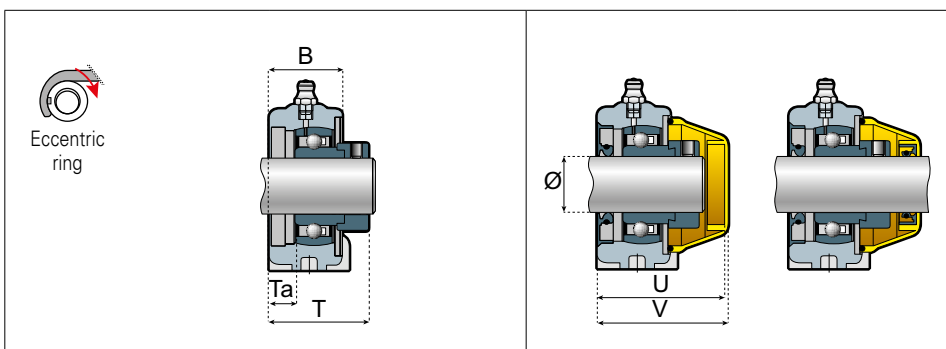


STANDARD VERSION				WASH DOWN RESISTANT VERSION							
BEARINGS		SEPARATE CLOSED SAFETY CAP PART NO.	SEPARATE OPEN SAFETY CAP PART NO.	BEARINGS CHROME STEEL							
CHROME STEEL	STAINLESS STEEL			CLOSED CAP	OPEN CAP						
ITEM DESCRIPTION		ITEM DESCRIPTION									
20	91	36	11	50,5	52,5	UCP204-20M	UCP204-20M-SS	50013	50013APE	UCP204-20M-CEC	UCP204-20M-OEC
25	97	39,5	12,5	55	57	UCP205-25M	UCP205-25M-SS	50009	50009APE	UCP205-25M-CEC	UCP205-25M-OEC
30	111	46	16	65	67	UCP206-30M	UCP206-30M-SS	50010	50010APE	UCP206-30M-CEC	UCP206-30M-OEC
35	117	49	17	67	69	UCP207-35M	UCP207-35M-SS	50010	50010APE	UCP207-35M-CEC	UCP207-35M-OEC
40	129	45	11	63	65	UCP208-40M	UCP208-40M-SS	50014	50014APE	UCP208-40M-CEC	UCP208-40M-OEC

COMPONENTS

Housing in reinforced polyamide. Seals in NBR rubber. High precision self-aligning ball bearings in chrome- or stainless steel, pre-lubricated. Grease nipples and spacers from nickel plated brass. Washers (where used) in AISI 304 (DIN 1.4301). Safety cap in polypropylene. (When fitted with a stainless steel bearing, the grease nipple is in stainless steel).

VERSION WITH ECCENTRIC RING



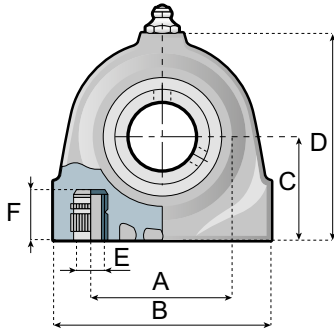
STANDARD VERSION				WASH DOWN RESISTANT VERSION						
BEARINGS CHROME STEEL		SEPARATE CLOSED SAFETY CAP PART NO.	SEPARATE OPEN SAFETY CAP PART NO.	BEARINGS CHROME STEEL						
ITEM DESCRIPTION				CLOSED CAP	OPEN CAP					
ITEM DESCRIPTION		ITEM DESCRIPTION								
20	91	41,9	11	50,5	52,5	UCP204-20ME	50013	50013APE	UCP204-20ME-CEC	UCP204-20ME-OEC
25	97	43,4	12,5	55	57	UCP205-25ME	50009	50009APE	UCP205-25ME-CEC	UCP205-25ME-OEC
30	111	51,7	16	65	67	UCP206-30ME	50010	50010APE	UCP206-30ME-CEC	UCP206-30ME-OEC
35	117	55,9	17	67	69	UCP207-35ME	50010	50010APE	UCP207-35ME-CEC	UCP207-35ME-OEC
40	129	54,7	11	63	65	UCP208-40ME	50014	50014APE	UCP208-40ME-CEC	UCP208-40ME-OEC

Chains & sprockets	Wear strips	Side guide brackets & accessories	Levelers	Engineering manual
Modular belts & sprockets	Chain & belt return systems	Frame & structure supports	Bearing supports	
Curves & tracks	Side guide solutions	Miscellaneous products	Equipment	

5 6 1 2 0 a

PILLOW BLOCK BEARING UCPA / UCPA-R

www.SystemPlastSmartGuide.com



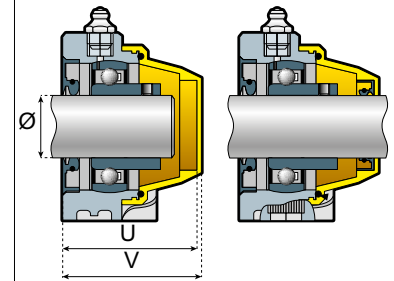
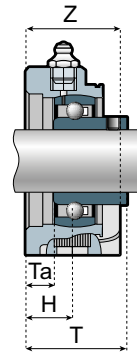
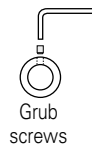
A	B	C	D	E	F	WEIGHT KG(IND.)
50,8	70	33,3	65	M8	16	0,30
50,8	75	36,5	72	M10	16	0,37
76,2	98	42,9	85	M10	24	0,50



VERSION WITH GRUB SCREWS

TECHNICAL INFORMATION

- Good resistance against many corrosive chemicals such as water, oils, greases, petrol, milk, wine, alcoholic beverages.
- Available in chrome steel, and stainless steel bearings, (suitable for food, beverage and pharmaceutical industry).
- Housings also available as complete sealed units for improved protection (wash down resistant version).
- Max. mis-alignment between shaft and housing: 2.5°



STANDARD VERSION

WASH DOWN RESISTANT VERSION

BEARINGS

CHROME STEEL

STAINLESS STEEL

SEPARATE CLOSED SAFETY CAP PART NO.

SEPARATE OPEN SAFETY CAP PART NO.

BEARINGS CHROME STEEL

CLOSED CAP

OPEN CAP

ITEM DESCRIPTION

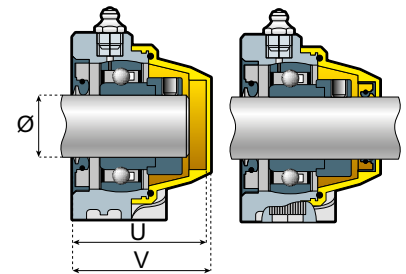
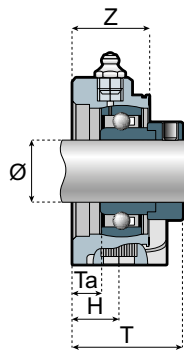
ITEM DESCRIPTION

SHAFT Ø	A	H	T	Ta	U	V	Z	ITEM DESCRIPTION	ITEM DESCRIPTION	ITEM DESCRIPTION	ITEM DESCRIPTION		
20	50,8	16	35,5	10,5	49	51	32	UCPA204-20M	UCPA204-20M-SS	50008	50008APE	UCPA204-20M-CEC	UCPA204-20M-OEC
25	50,8	18	39	12	54	56	36	UCPA205-25M	UCPA205-25M-SS	50007	50007APE	UCPA205-25M-CEC	UCPA205-25M-OEC
30	76,2	20	42	12	59	61	40	UCPA206-30M	UCPA206-30M-SS	50003A	50003AAPE	UCPA206-30M-CEC	UCPA206-30M-OEC

VERSION WITH ECCENTRIC RING

COMPONENTS

Housing in reinforced polyamide. Seals in NBR rubber. High precision self-aligning ball bearings in chrome- or stainless steel, pre-lubricated. Grease nipples and spacers from nickel plated brass. Washers (where used) in AISI 304 (DIN 1.4301). Safety cap in polypropylene. (When fitted with a stainless steel bearing, the grease nipple is in stainless steel).



STANDARD VERSION

WASH DOWN RESISTANT VERSION

BEARINGS CHROME STEEL

SEPARATE CLOSED SAFETY CAP PART NO.

SEPARATE OPEN SAFETY CAP PART NO.

BEARINGS CHROME STEEL

CLOSED CAP

OPEN CAP

ITEM DESCRIPTION

ITEM DESCRIPTION

SHAFT Ø	A	H	T	Ta	U	V	Z	ITEM DESCRIPTION	ITEM DESCRIPTION	ITEM DESCRIPTION	ITEM DESCRIPTION	
20	50,8	16	41,4	10,5	49	51	32	UCPA204-20ME	50008	50008APE	UCPA204-20ME-CEC	UCPA204-20ME-OEC
25	50,8	18	43,4	12,5	54	56	36	UCPA205-25ME	50007	50007APE	UCPA205-25ME-CEC	UCPA205-25ME-OEC
30	76,2	20	47,7	12	59	61	40	UCPA206-30ME	50003A	50003AAPE	UCPA206-30ME-CEC	UCPA206-30ME-OEC

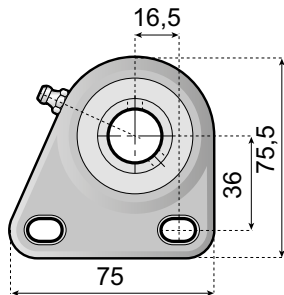
Chains & sprockets	Wear strips	Side guide brackets & accessories	Levelers	Engineering manual
Modular belts & sprockets	Chain & belt return systems	Frame & structure supports	Bearing supports	
Curves & tracks	Side guide solutions	Miscellaneous products	Equipment	



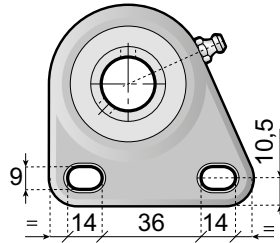
56130a

FLANGED BEARING SQL RIGHT/LEFT

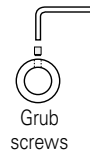
www.SystemPlastSmartGuide.com



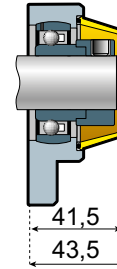
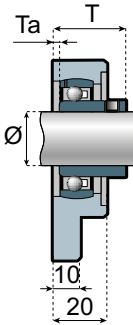
LEFT VERSION



RIGHT VERSION



Grub screws



TECHNICAL INFORMATION

- Good resistance against many corrosive chemicals such as water, oils, greases, petrol, milk, wine, alcoholic beverages.
- Available in chrome steel, and stainless steel bearings, (suitable for food, beverage and pharmaceutical industry).
- Housings also available as complete sealed units for improved protection (wash down resistant version).
- Max. mis-alignment between shaft and housing: 2.5°

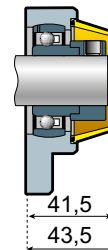
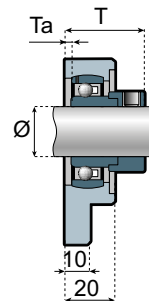
VERSION WITH GRUB SCREWS

SHAFT Ø	T	Ta	STANDARD VERSION			
			BEARINGS		SEPARATE CLOSED SAFETY CAP PART NO.	SEPARATE OPEN SAFETY CAP PART NO.
			CHROME STEEL	STAINLESS STEEL		
ITEM DESCRIPTION						
LEFT VERSION						
12	26,5	4,5	SQLL201-12M	-	50012	50012APE
15	26,5	4,5	SQLL202-15M	-	50012	50012APE
16	26,5	4,5	SQLL203-16M	-	50012	50012APE
17	26,5	4,5	SQLL203-17M	-	50012	50012APE
20	27	2	SQLL204-20M	SQLL204-20M-SS	50012	50012APE
RIGHT VERSION						
12	26,5	4,5	SQLR201-12M	-	50012	50012APE
15	26,5	4,5	SQLR202-15M	-	50012	50012APE
16	26,5	4,5	SQLR203-16M	-	50012	50012APE
17	26,5	4,5	SQLR203-17M	-	50012	50012APE
20	27	2	SQLR204-20M	SQLR204-20M-SS	50012	50012APE

VERSION WITH ECCENTRIC RING



Eccentric ring



COMPONENTS

Housing in reinforced polyamide. Seals in NBR rubber. High precision self-aligning ball bearings in chrome- or stainless steel, pre-lubricated. Grease nipples and spacers from nickel plated brass. Washers (where used) in AISI 304 (DIN 1.4301). Safety cap in polypropylene. (When fitted with a stainless steel bearing, the grease nipple is in stainless steel).

SHAFT Ø	T	Ta	STANDARD VERSION			
			BEARINGS CHROME STEEL		SEPARATE CLOSED SAFETY CAP PART NO.	SEPARATE OPEN SAFETY CAP PART NO.
			ITEM DESCRIPTION			
LEFT VERSION						
20	27	2	SQLL204-20ME		50012	50012APE
RIGHT VERSION						
20	27	2	SQLR204-20ME		50012	50012APE

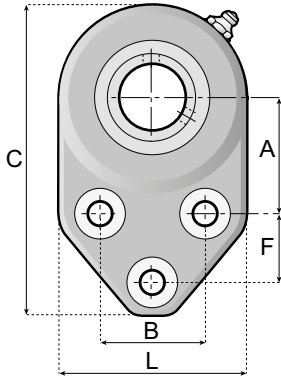
Chains & sprockets	Wear strips	Side guide brackets & accessories	Levelers	Engineering manual
Modular belts & sprockets	Chain & belt return systems	Frame & structure supports	Bearing supports	
Curves & tracks	Side guide solutions	Miscellaneous products	Equipment	



56140a

FLANGED BEARING UCFB

www.SystemPlastSmartGuide.com

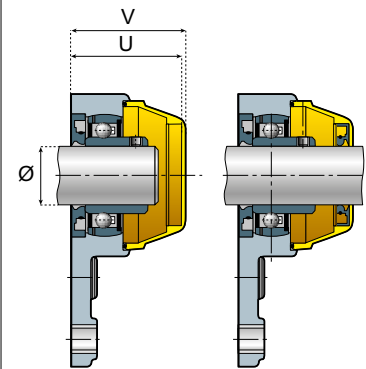
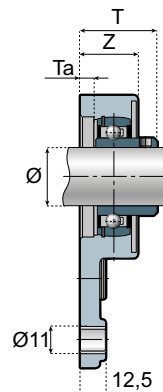
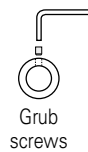


A	B	C	F	L	Z	WEIGHT KG(IND.)
46	41,3	125	28,6	69	27,5	0,43
52,4	47,6	140,5	31,7	84	29,5	0,52

TECHNICAL INFORMATION

- Good resistance against many corrosive chemicals such as water, oils, greases, petrol, milk, wine, alcoholic beverages.
- Available in chrome steel and stainless steel bearings, (suitable for food, beverage and pharmaceutical industry).
- Housings also available as complete sealed units for improved protection (wash down resistant version).
- Max. mis-alignment between shaft and housing: 2.5°

VERSION WITH GRUB SCREWS

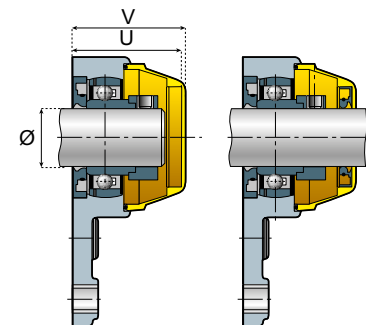
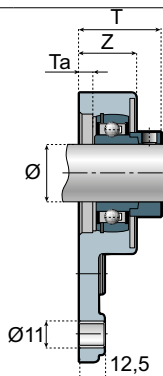


STANDARD VERSION

WASH DOWN RESISTANT VERSION

SHAFT Ø	A	T	Ta	U	V	BEARINGS		SEPARATE CLOSED SAFETY CAP PART NO.	SEPARATE OPEN SAFETY CAP PART NO.	BEARINGS CHROME STEEL	
						CHROME STEEL	STAINLESS STEEL			CLOSED CAP	OPEN CAP
						ITEM DESCRIPTION					
20	46	35	10	49,5	51,5	UCFBZ204-20M	UCFBZ204-20M-SS	50013	50013APE	UCFBZ204-20M-CEC	UCFBZ204-20M-OEC
25		35,5	8,5	52,5	54,5	UCFB205-25M	UCFB205-25M-SS	50009	50009APE	UCFB205-25M-CEC	UCFB205-25M-OEC
25	52,4	37,5	10,5	56,5	58,5	UCFBZ205-25M	UCFBZ205-25M-SS	50010	50010APE	UCFBZ205-25M-CEC	UCFBZ205-25M-OEC
30		39	9	56,5	58,5	UCFB206-30M	UCFB206-30M-SS			UCFB206-30M-CEC	UCFB206-30M-OEC

VERSION WITH ECCENTRIC RING



STANDARD VERSION

WASH DOWN RESISTANT VERSION

COMPONENTS

Housing in reinforced polyamide. Seals in NBR rubber. High precision self-aligning ball bearings in chrome- or stainless steel, pre-lubricated. Grease nipples and spacers from nickel plated brass. Washers (where used) in AISI 304 (DIN 1.4301). Safety cap in polypropylene. (When fitted with a stainless steel bearing, the grease nipple is in stainless steel).

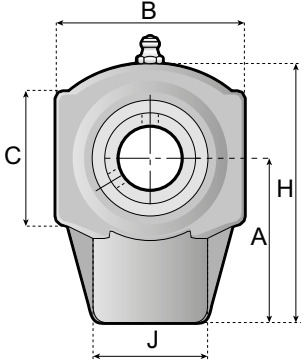
SHAFT Ø	A	T	Ta	U	V	BEARINGS CHROME STEEL		SEPARATE CLOSED SAFETY CAP PART NO.	SEPARATE OPEN SAFETY CAP PART NO.	BEARINGS CHROME STEEL	
						CLOSED CAP	OPEN CAP			CLOSED CAP	OPEN CAP
						ITEM DESCRIPTION					
20	46	40,9	10	49,5	51,5	UCFBZ204-20ME		50013	50013APE	UCFBZ204-20ME-CEC	UCFBZ204-20ME-OEC
25		39,4	8,5	52,5	54,5	UCFB205-25ME		50009	50009APE	UCFB205-25ME-CEC	UCFB205-25ME-OEC
25	52,4	41,4	10,5	56,5	58,5	UCFBZ205-25ME		50010	50010APE	UCFBZ205-25ME-CEC	UCFBZ205-25ME-OEC
30		44,7	9	56,5	58,5	UCFB206-30ME				UCFB206-30ME-CEC	UCFB206-30ME-OEC

Chains & sprockets	Wear strips	Side guide brackets & accessories	Levelers	Engineering manual
Modular belts & sprockets	Chain & belt return systems	Frame & structure supports	Bearing supports	
Curves & tracks	Side guide solutions	Miscellaneous products	Equipment	

56150a

HANGER BEARING UCHE

www.SystemPlastSmartGuide.com

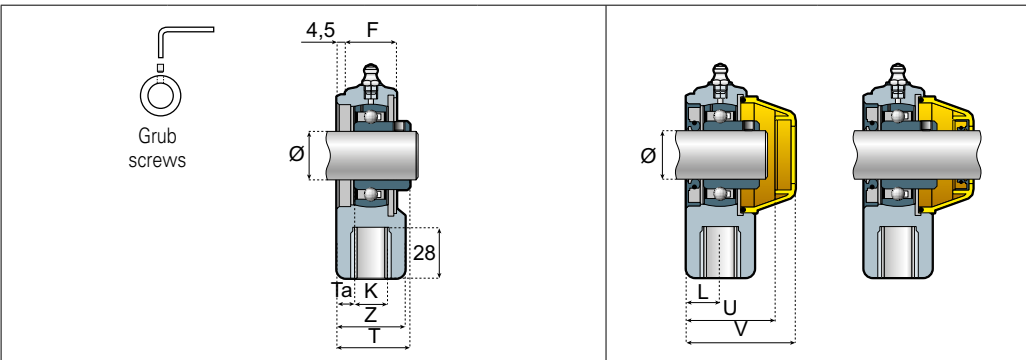


A	B	C	F	H	J	K	L	Z	WEIGHT KG(IND.)
62	65	50	25	97,5	45	M16	17	34	0,38
62	70	50	25	97,5	45	M20	17	34	0,38
72	85	57	28	118	56	M24	18,5	37	0,5
72	90	57	28	118	56	M24	18,5	37	0,5

VERSION WITH GRUB SCREWS

TECHNICAL INFORMATION

- Good resistance against many corrosive chemicals such as water, oils, greases, petrol, milk, wine, alcoholic beverages.
- Available in chrome steel and stainless steel suitable for food, beverage and pharmaceutical industry).
- Housings also available as complete sealed units for improved protection (wash down resistant version).
- Max. mis-alignment between shaft and housing: 2.5°

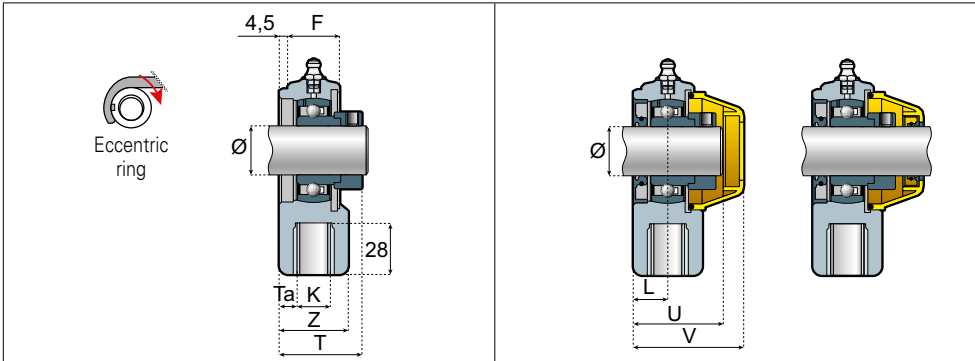


SHAFT Ø	A	T	Ta	U	V	BEARINGS		SEPARATE CLOSED SAFETY CAP PART NO.	SEPARATE OPEN SAFETY CAP PART NO.	WASH DOWN RESISTANT VERSION	
						CHROME STEEL	STAINLESS STEEL			CLOSED CAP	OPEN CAP
ITEM DESCRIPTION											
20	62	35	10,0	44,5	54,5	UCHEZ204-20M	UCHEZ204-20M-SS	50009	50009APE	UCHEZ204-20M-CEC	UCHEZ204-20M-OEC
25	62	36,5	9,5	44,5	54,5	UCHE205-25M	UCHE205-25M-SS	50009	50009APE	UCHE205-25M-CEC	UCHE205-25M-OEC
30	72	40,5	10,5	51,5	61,5	UCHE206-30M	UCHE206-30M-SS	50010	50010APE	UCHE206-30M-CEC	UCHE206-30M-OEC
35	72	42	10,0	51,5	61,5	UCHEX207-35M	UCHEX207-35M-SS	50010	50010APE	UCHEX207-35M-CEC	UCHEX207-35M-OEC

VERSION WITH ECCENTRIC RING

COMPONENTS

Housing in reinforced polyamide. Seals in NBR rubber. High precision self-aligning ball bearings in chrome- or stainless steel, pre-lubricated. Grease nipples and spacers from nickel plated brass. Washers (where used) in AISI 304 (DIN 1.4301). Safety cap in polypropylene. (When fitted with a stainless steel bearing, the grease nipple is in stainless steel).



SHAFT Ø	A	T	Ta	U	V	BEARINGS CHROME STEEL		SEPARATE CLOSED SAFETY CAP PART NO.	SEPARATE OPEN SAFETY CAP PART NO.	WASH DOWN RESISTANT VERSION	
						CHROME STEEL	STAINLESS STEEL			CLOSED CAP	OPEN CAP
ITEM DESCRIPTION											
20	62	40,9	10	44,5	54,5	UCHEZ204-20ME		50009	50009APE	UCHEZ204-20ME-CEC	UCHEZ204-20ME-OEC
25	62	40,4	9,5	44,5	54,5	UCHE205-25ME		50009	50009APE	UCHE205-25ME-CEC	UCHE205-25ME-OEC
30	72	46,2	10,5	51,5	61,5	UCHE206-30ME		50010	50010APE	UCHE206-30ME-CEC	UCHE206-30ME-OEC
35	72	48,9	10	51,5	61,5	UCHEX207-35ME		50010	50010APE	UCHEX207-35ME-CEC	UCHEX207-35ME-OEC

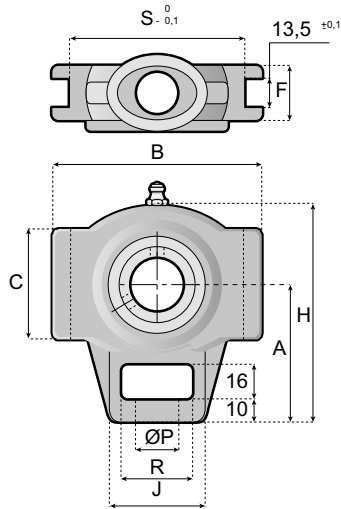
Chains & sprockets	Wear strips	Side guide brackets & accessories	Levelers	Engineering manual
Modular belts & sprockets	Chain & belt return systems	Frame & structure supports	Bearing supports	
Curves & tracks	Side guide solutions	Miscellaneous products	Equipment	



56160a

TAKE UP BEARING UCT

www.SystemPlastSmartGuide.com



A	B	C	F	H	J	ØP	R	S	Z	WEIGHT KG(IND.)
62	92	50	25	97,5	45	19	32	76	34	0,38
72	104	57	28	118	56	22	37	89	37	0,5

TECHNICAL INFORMATION

- Good resistance against many corrosive chemicals such as water, oils, greases, petrol, milk, wine, alcoholic beverages.
- Available in chrome steel and stainless steel (suitable for food, beverage and pharmaceutical industry).
- Housings also available as complete sealed units for improved protection (wash down resistant version).
- Max. misalignment between shaft and housing: 2.5°

VERSION WITH GRUB SCREWS

STANDARD VERSION		WASH DOWN RESISTANT VERSION									
BEARINGS		BEARINGS CHROME STEEL									
CHROME STEEL	STAINLESS STEEL	CLOSED CAP	OPEN CAP								
ITEM DESCRIPTION											
20	62	35	5,0	44,5	54,5	UCTZ204-20M	UCTZ204-20M-SS	50009	50009APE	UCTZ204-20M-CEC	UCTZ204-20M-OEC
25		36,5	11,3	44,5	54,5	UCT205-25M	UCT205-25M-SS			UCT205-25M-CEC	UCT205-25M-OEC
30	72	40,5	6,5	51,5	61,5	UCT206-30M	UCT206-30M-SS	50010	50010APE	UCT206-30M-CEC	UCT206-30M-OEC
35		42	13,7	51,5	61,5	UCTX207-35M	UCTX207-35M-SS			UCTX207-35M-CEC	UCTX207-35M-OEC

COMPONENTS

Housing in reinforced polyamide. Seals in NBR rubber. High precision self-aligning ball bearings in chrome- or stainless steel, pre-lubricated. Grease nipples and spacers from nickel plated brass. Washers (where used) in AISI 304 (DIN 1.4301). Safety cap in polypropylene. (When fitted with a stainless steel bearing, the grease nipple is in stainless steel).

VERSION WITH ECCENTRIC RING

STANDARD VERSION		WASH DOWN RESISTANT VERSION								
BEARINGS CHROME STEEL		BEARINGS CHROME STEEL								
CLOSED CAP		OPEN CAP								
ITEM DESCRIPTION										
20	62	40,9	10	44,5	54,5	UCTZ204-20ME	50009	50009APE	UCTZ204-20ME-CEC	UCTZ204-20ME-OEC
25		40,4	9,5	44,5	54,5	UCT205-25ME			UCT205-25ME-CEC	UCT205-25ME-OEC
30	72	46,2	10,5	51,5	61,5	UCT206-30ME	50010	50010APE	UCT206-30ME-CEC	UCT206-30ME-OEC
35		48,9	10	51,5	61,5	UCTX207-35ME			UCTX207-35ME-CEC	UCTX207-35ME-OEC

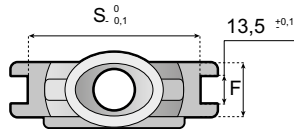
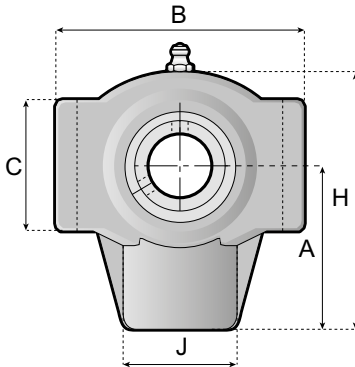
Chains & sprockets	Wear strips	Side guide brackets & accessories	Levelers	Engineering manual
Modular belts & sprockets	Chain & belt return systems	Frame & structure supports	Bearing supports	
Curves & tracks	Side guide solutions	Miscellaneous products	Equipment	



56170a

HANGER BEARING UCTT

www.SystemPlastSmartGuide.com



A	B	C	F	H	J	K	L	S	Z	WEIGHT KG(IND.)
62	92	50	25	97,5	45	M20	17	76	34	0,38
72	104	57	28	118	56	M24	18,5	89	37	0,5

TECHNICAL INFORMATION

- Good resistance against many corrosive chemicals such as water, oils, greases, petrol, milk, wine, alcoholic beverages.
- Available in chrome steel and stainless steel (suitable for food, beverage and pharmaceutical industry).
- Housings also available as complete sealed units for improved protection (wash down resistant version).
- Max. mis-alignment between shaft and housing: 2.5°

VERSION WITH GRUB SCREWS

SHAFT Ø	A	T	Ta	K	U	V	ITEM DESCRIPTION		SEPARATE CLOSED SAFETY CAP PART NO.	SEPARATE OPEN SAFETY CAP PART NO.	ITEM DESCRIPTION	
							CHROME STEEL	STAINLESS STEEL			CLOSED CAP	OPEN CAP
20	62	35	10,0	M16	44,5	54,5	UCTTZ204-20M	UCTTZ204-20M-SS	50009	50009APE	UCTTZ204-20M-CEC	UCTTZ204-20M-OEC
		36,5	9,5	M20	44,5	54,5	UCTT205-25M	UCTT205-25M-SS			UCTT205-25M-CEC	UCTT205-25M-OEC
30	72	40,5	10,5	M24	51,5	61,5	UCTT206-30M	UCTT206-30M-SS	50010	50010APE	UCTT206-30M-CEC	UCTT206-30M-OEC
		42	10,0	M24	51,5	61,5	UCTTX207-35M	UCTTX207-35M-SS			UCTTX207-35M-CEC	UCTTX207-35M-OEC

COMPONENTS

Housing in reinforced polyamide. Seals in NBR rubber. High precision self-aligning ball bearings in chrome- or stainless steel, pre-lubricated. Grease nipples and spacers from nickel plated brass. Washers (where used) in AISI 304 (DIN 1.4301). Safety cap in polypropylene. (When fitted with a stainless steel bearing, the grease nipple is in stainless steel).

VERSION WITH ECCENTRIC RING

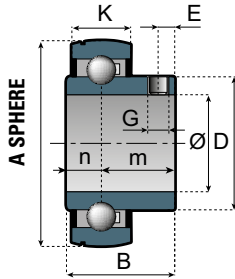
SHAFT Ø	A	T	Ta	K	U	V	ITEM DESCRIPTION		SEPARATE CLOSED SAFETY CAP PART NO.	SEPARATE OPEN SAFETY CAP PART NO.	ITEM DESCRIPTION	
							CHROME STEEL	STAINLESS STEEL			CLOSED CAP	OPEN CAP
20	62	40,9	10	M16	44,5	54,5	UCTTZ204-20ME		50009	50009APE	UCTTZ204-20ME-CEC	UCTTZ204-20ME-OEC
		40,4	9,5	M20	44,5	54,5	UCTT205-25ME				UCTT205-25ME-CEC	UCTT205-25ME-OEC
30	72	46,2	10,5	M24	51,5	61,5	UCTT206-30ME		50010	50010APE	UCTT206-30ME-CEC	UCTT206-30ME-OEC
		48,9	10	M24	51,5	61,5	UCTTX207-35ME				UCTTX207-35ME-CEC	UCTTX207-35ME-OEC

Chains & sprockets	Wear strips	Side guide brackets & accessories	Levelers	Engineering manual
Modular belts & sprockets	Chain & belt return systems	Frame & structure supports	Bearing supports	
Curves & tracks	Side guide solutions	Miscellaneous products	Equipment	

56300a

BALL BEARINGS

www.SystemPlastSmartGuide.com

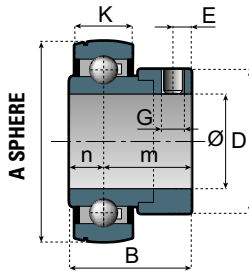


MATERIAL

- Rings and balls in chrome steel.
- Grub screws and protection rings are in steel.
- Seals in metal with vulcanised NBR rubber.

STANDARD VERSION WITH GRUB SCREWS

Ø D mm	PART NUMBER	DIMENSION (mm)								BEARING LOAD RATINGS		WEIGHT (KG)
		A	B	K	D	E	G	M	N	DYNAMIC C (N)	STATIC CO (N)	
12	UC201	40	22	12	24,6	4	M5	16	6	7300	4760	0,15
15	UC202	40	22	12	24,6	4	M5	16	6	7300	4760	0,15
16	UC203-16MM	40	22	12	24,6	4	M5	16	6	7300	4760	0,15
17	UC203	40	22	12	24,6	4	M5	16	6	7300	4760	0,15
20	UC204	47	25	14	29	5	M6	18	7	9850	6580	0,18
25	UC205	52	27	15	34	5,5	M6	19,5	7,5	10800	7800	0,22
30	UC206	62	30	16	40,3	6	M6	22	8	15000	11300	0,40
35	UC207	72	32	17	48	6,5	M8	23,5	8,5	19700	15300	0,45
40	UC208	80	34	18	53	7	M8	25	9	22400	17900	0,62

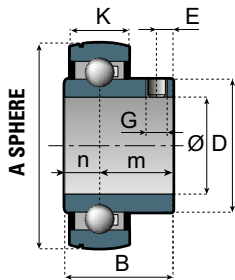


MATERIAL

- Rings and balls in chrome steel.
- Grub screws and protection rings are in steel.
- Seals in metal with vulcanised NBR rubber.

STANDARD VERSION WITH ECCENTRIC LOCK RING

Ø D mm	PART NUMBER	DIMENSION (mm)								BEARING LOAD RATINGS		WEIGHT (KG)
		A	B	K	D	E	G	M	N	DYNAMIC C (N)	STATIC CO (N)	
20	UEC204	47	31	14	33,3	5	M6	23,5	7,5	9850	6580	0,25
25	UEC205	52	31	15	38,1	5	M6	23,5	7,5	10800	7800	0,30
30	UEC206	62	35,7	16	44,5	6	M6	26,7	9	15000	11300	0,48
35	UEC207	72	38,9	17	55,6	6,5	M8	29,4	9,5	19700	15300	0,53
40	UEC208	80	43,7	18	60,3	6,5	M8	32,7	11	22400	17900	0,70



MATERIAL

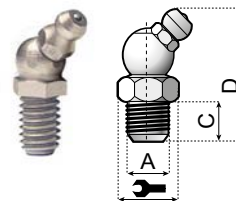
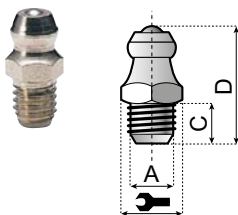
- Rings and balls in stainless steel with Cr+Mo to increase corrosion resistance.
- Grub screws and protection rings are in stainless steel.
- Seals in stainless steel with vulcanized silicon rubber.

STAINLESS STEEL VERSION WITH GRUB SCREWS

Ø D mm	PART NUMBER	DIMENSION (mm)								BEARING LOAD RATINGS		WEIGHT (KG)
		A	B	K	D	E	G	M	N	DYNAMIC C (N)	STATIC CO (N)	
20	UCSS204	47	25,7	14	29	5	M6	18,7	7	7300	4900	0,18
25	UCSS205	52	27	15	34	5,5	M6	19,5	7,5	8100	5800	0,22
30	UCSS206	62	30	16	40,3	6	M6	22	8	11250	8400	0,40
35	UCSS207	72	32	17	48	6,5	M8	23,5	8,5	14700	11400	0,45
40	UCSS208	80	34	18	53	7	M8	25	9	16800	13400	0,62

USE: Where a high resistance to corrosion is required.

GREASE NIPPLES



A	C	D	NICKEL PLATED BRASS	STAINLESS STEEL AISI 304
			ITEM DESCRIPTION	
M6	7	5,5	GNP-NPB-M6-55	-
M6	7	6	-	GNP-SS-M6-60
M6	7	8,5	-	GNP-SS-M6-85
1/8" gas	11	6	GNP-NPB-18-60	GNP-SS-18-60

GREASE NIPPLE 45°

A	C	D	NICKEL PLATED BRASS	STAINLESS STEEL AISI 304
			ITEM DESCRIPTION	
M6	9	8,5	-	GNP45-SS-M6-85
1/8" gas	11	5,5	GNP45-NPB-55	-

Chains & sprockets	Wear strips	Side guide brackets & accessories	Levelers	Engineering manual
Modular belts & sprockets	Chain & belt return systems	Frame & structure supports	Bearing supports	
Curves & tracks	Side guide solutions	Miscellaneous products	Equipment	

56300b

LOOSE SAFETY CAPS

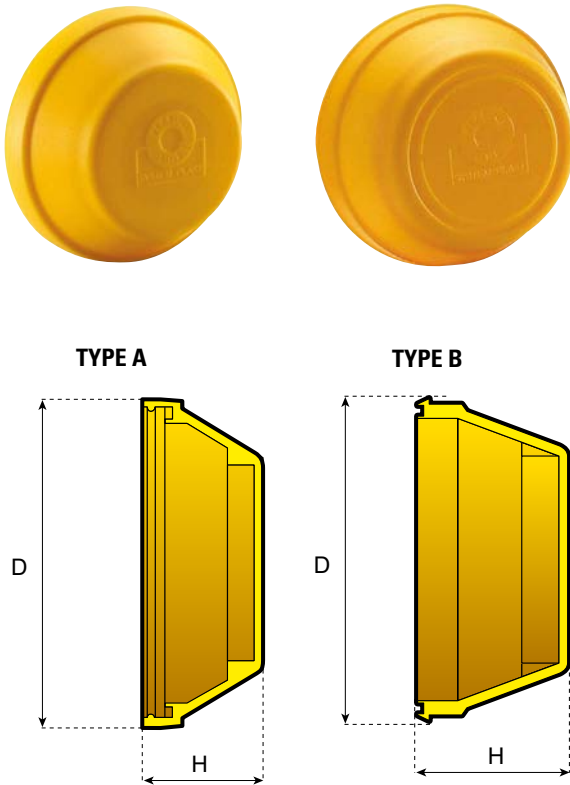
www.SystemPlastSmartGuide.com



Clip-on safety cap

COLOUR

- Safety cap in yellow polypropylene.
- For sufficient quantities parts can be produced in different colors or in transparent.

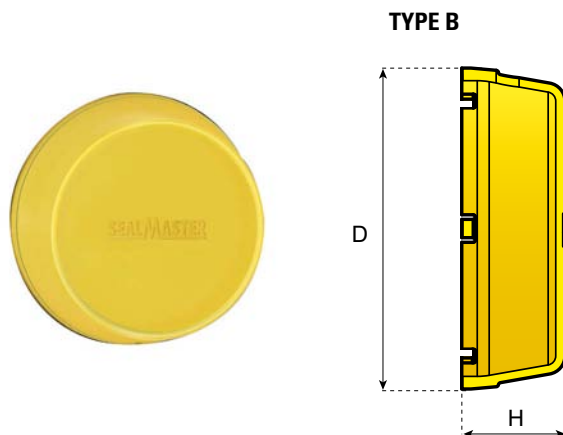


OPEN VERSION	CLOSED VERSION	TYPE	D	H
ITEM DESCRIPTION				
50001APE	50001	A	80	29,5
50002APE	50002	A	96	40
50003AAPE	50003A	A	71	34,5
50004APE	50004	A	87,5	40,5
50007APE	50007	A	62	30
50008APE	50008	A	56	29,5
50009APE	50009	B	60	28
50010APE	50010	B	78	32
50011APE	50011	A	69	32
50012APE	50012	B	51,5	19,5
50013APE	50013	B	58,5	28
50014APE	50014	B	84	30
50027APE	50027	A	67,5	32

Clip-on safety cap for Sealmaster® Triathlon® bearing.

COLOUR

- Safety cap in polypropylene (transparent-yellow).



OPEN VERSION	CLOSED VERSION	TYPE	D	H
ITEM DESCRIPTION				
CAP7023-B30M-P-YT-SE	CAP-C7023-IF-YT-SE	B	70	23
CAP8437-B40M-P-YT-SE	CAP-C8437-IF-YT-SE	B	84	37

Chains & sprockets	Wear strips	Side guide brackets & accessories	Levelers	Engineering manual
Modular belts & sprockets	Chain & belt return systems	Frame & structure supports	Bearing supports	
Curves & tracks	Side guide solutions	Miscellaneous products	Equipment	

5 7 0 1 0 a

INDEX EQUIPMENT

www.SystemPlastSmartGuide.com

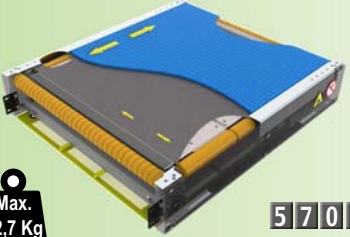
MODSORT® MODULE RANGE

New



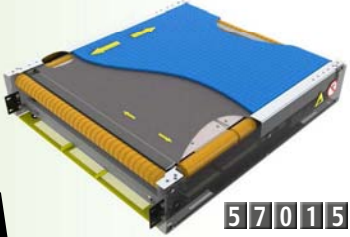
STANDARD VERSION

HEAVY DUTY VERSION



Max. 22,7 Kg

5 7 0 1 5 a

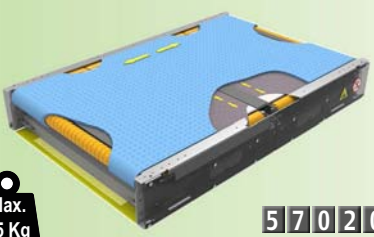


Max. 30 Kg

5 7 0 1 5 a

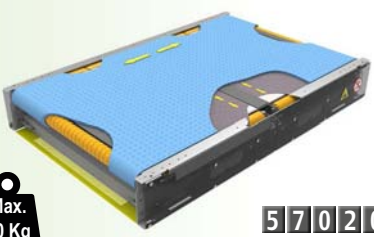
DUAL DIVERT VERSION

DUAL DIVERT - HEAVY DUTY VERSION



Max. 25 Kg

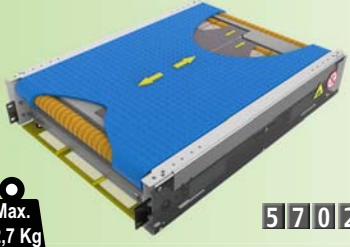
5 7 0 2 0 a



Max. 50 Kg

5 7 0 2 0 a

MODTURN VERSION

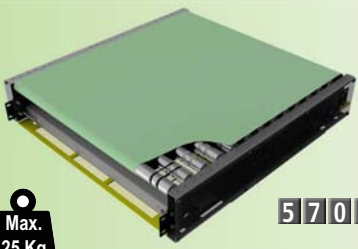


Max. 22,7 Kg

5 7 0 2 0 a

INTERMEDIATE SINGLE VERSION

INTERMEDIATE DOUBLE VERSION



Max. 25 Kg

5 7 0 2 0 a



Max. 25 Kg

5 7 0 2 0 a

FEATURES FOR VERSIONS:

Standard, Heavy Duty, Dual Divert and Dual Divert-Heavy Duty

- Can be used as Infeed
- Passes product straight through
- Maintain properly product gapping
- Stop and divert full 90 degrees
- Divert on the fly (blended vector angle)

Modturn

- Can be used as Infeed
- Passes product straight through
- Combined action of both PVC Turning Belts rotate products
- 90 degrees turn
- 180 degrees turn

Intermediate (Single or Double)

- Can be used as Infeed
- Passes product straight through
- Maintain properly product gapping
- Can be used as Gapper / Singulator

MODSORT ACCESSORIES



5 7 0 2 5 a

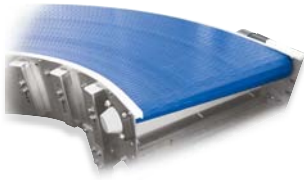
SUPPORT LEG KIT - POWER SUPPLY KIT - STAND ALONE KIT - CONTROL CARD, ETC.

iCOF® CONDITION MONITORING



iCOF®
5 7 0 8 0 a

MODFLEX™ MODULAR CURVE



MODFLEX™
5 7 0 3 0 a

Chains & sprockets	Wear strips	Side guide brackets & accessories	Levelers	Engineering manual
Modular belts & sprockets	Chain & belt return systems	Frame & structure supports	Bearing supports	
Curves & tracks	Side guide solutions	Miscellaneous products	Equipment	

57015a

www.SystemPlastSmartGuide.com

MODSORT® TRANSFER MODULE

STANDARD AND HEAVY DUTY VERSIONS



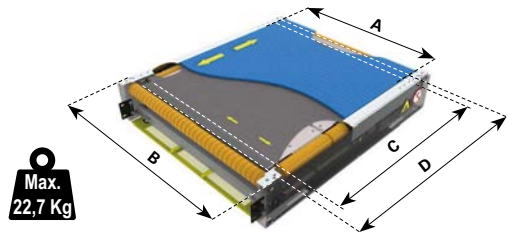
Features and benefits:

- Can be easily integrated into existing traditional or motorized roller conveyor systems.
- Ability to transfer a wide array of products.
- Mechanical lift unneeded (only two means of motion required).
- Run smaller packages without "gaps" associated with pop-up transfer modules.
- Ideal for handling polybags and smaller packages.
- Utilizes unique System Plast® 2253 roller top belt technology.
- Zero contact, zero pressure accumulation.
- Run on demand technology.
- Low noise and low voltage (24VDC, no conduit required).
- Energy savings as high as 50%-60% as compared to traditional conveyors.
- Easy maintenance through minimum spare parts requirements.
- High resolution package control.



continue ►

STANDARD VERSION

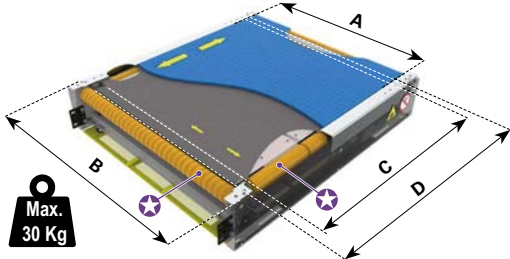


The Modsort® standard module is an all 24-Volt motorized driven roller (MDR) based right angle transfer and/or diverter station. It integrates easily with other MDR-based conveyors and can also be used to integrate to more traditional conveyor types, providing all interlocks and controls links are properly established. The Modsort standard module is designed to handle any kind of package, from small packages like polybags to medium sizes traditional packages. The Modsort standard module can be installed as a true right-angle transfer or can be utilized as an on-the-fly diverter station.

ITEM DESCRIPTION - COMPLETE UNIT	SIZE	LENGTH	INTERNAL WIDTH "A"	EXTERNAL WIDTH "B"	DIVERT ZONE LENGTH "C"	TRANSFER ZONE "D"	HEIGHT FRAME	UNIT WEIGHT
								kg (lbs.)
mm (inch)								
MS-ST1-RH-AI2-L30W20-16	1	762 (30)	406 (16)	500 (20)	530 (21)	620 (24)	202 (8)	66 (145)
MS-ST2-RH-AI2-L30W26-22	2	762 (30)	559 (22)	653 (26)	530 (21)	620 (24)	202 (8)	79 (174)
MS-ST3-RH-AI2-L36W20-16	3	914 (36)	406 (16)	500 (20)	682 (27)	772 (30.4)	202 (8)	77 (170)
MS-ST4-RH-AI2-L36W26-22	4	914 (36)	559 (22)	653 (26)	682 (27)	772 (30.4)	202 (8)	91 (200)
MS-ST5-RH-AI2-L36W32-28	5	914 (36)	711 (28)	805 (32)	682 (27)	772 (30.4)	202 (8)	103 (227)
MS-ST6-RH-AI2-L42W26-22	6	1066 (42)	559 (22)	653 (26)	834 (33)	924 (36.4)	202 (8)	103 (227)
MS-ST7-RH-AI2-L42W32-28	7	1066 (42)	711 (28)	805 (32)	834 (33)	924 (36.4)	202 (8)	116 (256)
MS-ST8-RH-AI2-L42W38-34	8	1066 (42)	864 (34)	958 (38)	834 (33)	924 (36.4)	202 (8)	129 (284)

Networked Control Card Ai2

HEAVY DUTY VERSION



The Modsort Heavy Duty module is an all 24-Volt motorized driven roller (MDR) based right angle transfer and/or diverter station. It integrates easily with other MDR-based conveyors and can also be used to integrate to more traditional conveyor types, providing all interlocks and controls links are properly established. The Modsort Heavy Duty module is can handle any kind of package, from small packages like polybags to medium sizes traditional packages.

It is designed to manage also heavier packages up to 30 kgs.

The Modsort Heavy Duty module can be installed as a true right-angle transfer or can be utilized as an on-the-fly diverter station.

✦ Double PulseRoller®* Senergy®* 3 Stage MDRs with proprietary drive lagging.

ITEM DESCRIPTION - COMPLETE UNIT	SIZE	LENGTH	INTERNAL WIDTH "A"	EXTERNAL WIDTH "B"	DIVERT ZONE LENGTH "C"	TRANSFER ZONE "D"	HEIGHT FRAME	UNIT WEIGHT
								kg (lbs.)
mm (inch)								
MS-HD2-AI2-L30W26-22	2	762 (30)	559 (22)	653 (26)	530 (21)	620 (24)	202 (8)	79 (174)
MS-HD4-AI2-L36W26-22	4	914 (36)	559 (22)	653 (26)	682 (27)	772 (30.4)	202 (8)	91 (200)
MS-HD5-AI2-L36W32-28	5	914 (36)	711 (28)	805 (32)	682 (27)	772 (30.4)	202 (8)	103 (227)
MS-HD6-AI2-L42W26-22	6	1066 (42)	559 (22)	653 (26)	834 (33)	924 (36.4)	202 (8)	103 (227)
MS-HD7-AI2-L42W32-28	7	1066 (42)	711 (28)	805 (32)	834 (33)	924 (36.4)	202 (8)	116 (256)
MS-HD8-AI2-L42W38-34	8	1066 (42)	864 (34)	958 (38)	834 (33)	924 (36.4)	202 (8)	129 (284)

Networked Control Card Ai2

* The following are believed to be the trademarks and/or trade names of their respective owners and are not owned or controlled by Regal Beloit Corporation. PulseRoller, Senergy: Insight Automation, Inc.

continue ►

Chains & sprockets	Wear strips	Side guide brackets & accessories	Levelers	Engineering manual
Modular belts & sprockets	Chain & belt return systems	Frame & structure supports	Bearing supports	
Curves & tracks	Side guide solutions	Miscellaneous products	Equipment	

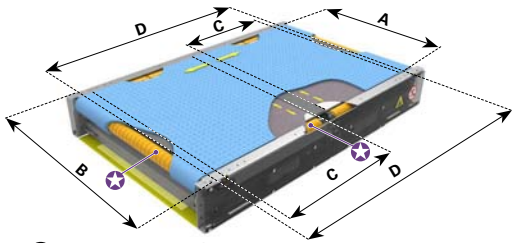
57020a

www.SystemPlastSmartGuide.com

MODSORT® TRANSFER MODULE

DUAL DIVERT, DUAL DIVERT-HEAVY DUTY, MODTURN AND INTERMEDIATE (SINGLE OR DOUBLE BELT) VERSIONS

DUAL DIVERT AND DUAL DIVERT-HEAVY DUTY VERSIONS



Max. 25 Kg DUAL DIVERT
Max. 50 Kg DUAL DIVERT HEAVY - DUTY

Double PulseRoller® Senergy® 3 Stage MDRs with proprietary drive lagging.

The Modsort® Dual Divert module is an all 24-Volt motorized driven roller (MDR) based right angle transfer and/or diverter station. It integrates easily with other MDR-based conveyors and can also be used to integrate to more traditional conveyor types, providing all interlocks and controls links are properly established. The Modsort Dual Divert module is designed to handle smaller, more problematic packages such as polybags and small packages, but it can also handle more traditional boxes. The Modsort Dual Divert module can be installed as a true right-angle transfer or can be utilized as an on-the-fly diverter station.

The Dual Divert version is designed to manage up to 25 kgs both as carryable weight on the whole unit and for each diverter. The Heavy Duty version is designed to manage also heavier packages. Up to 50 kgs overall carryable weight on the whole unit, 30kg for each diverter.

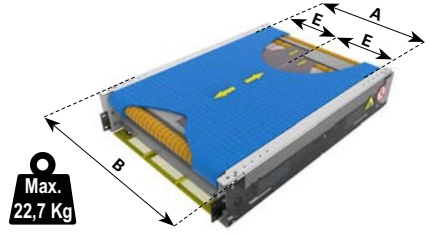


◀ back continue ▶

ITEM DESCRIPTION - COMPLETE UNIT		SIZE	LENGTH	INTERNAL WIDTH "A"	EXTERNAL WIDTH "B"	DIVERT ZONE LENGTH "C"	TRANSFER ZONE "D"	HEIGHT FRAME	UNIT WEIGHT	
DUAL DIVERT	DUAL DIVERT-HEAVY DUTY								DUAL DIVERT	DUAL DIVERT HEAVY DUTY
mm (inch)										
kg (lbs.)										
MS-2D-AI2-L56W20-16	-	1, 3	1422 (56)	406 (16)	500 (20)	555 - each divert zone (22)	1275 (50)	200 (8)	80 (176.4)	-
MS-2D-AI2-L56W26-22	MS-HD2D-AI2-L56W26-22	2, 4, 6	1422 (56)	559 (22)	653 (26)		1275 (50)	200 (8)	90 (198.4)	105 (231.4)
MS-2D-AI2-L56W32-28	MS-HD2D-AI2-L56W32-28	5, 7	1422 (56)	711 (28)	805 (32)		1275 (50)	200 (8)	100 (220.4)	115 (253.5)
MS-2D-AI2-L56W38-34	MS-HD2D-AI2-L56W38-34	8	1422 (56)	864 (34)	958 (38)		1275 (50)	200 (8)	125 (275.5)	140 (308.6)
MS-2D-AI2-L56W40-37	MS-HD2D-AI2-L56W40-37	9	1422 (56)	922 (36)	1029 (40)		1275 (50)	200 (8)	130 (286.6)	145 (319.6)

Networked Control Card Ai2

MODTURN VERSION



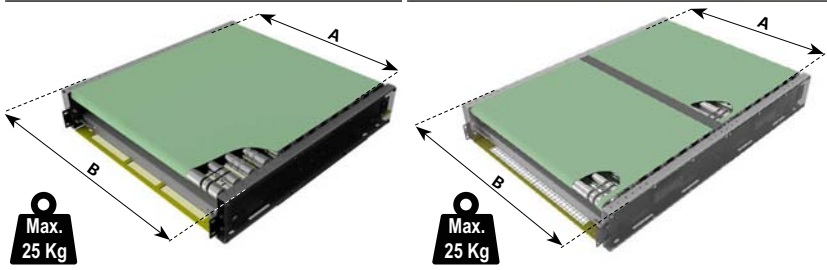
Max. 22,7 Kg

The Modsort Modturn module is an all 24-Volt motorized driven roller (MDR) based product rotation and transport station. It integrates easily with other MDR-based conveyors and can also be used to integrate to more traditional conveyor types, providing all interlocks and controls links are properly established. The Modsort Modturn module is designed to handle any kind of package, from small packages like polybags to medium sizes traditional packages. The Modsort Modturn module can be installed to rotate products on the fly or just to convey products.

ITEM DESCRIPTION - COMPLETE UNIT		SIZE	LENGTH	INTERNAL WIDTH "A"	EXTERNAL WIDTH "B"	TURNING LENGTH ZONE "E"	HEIGHT FRAME	UNIT WEIGHT
MS-TRN-AI2-L36W32-28		5	914 (36)	711 (28)	805 (32)	338 x 650 (13.3 x 25.6)	202 (8)	113 (249)
MS-TRN-AI2-L42W32-28		7	1066 (42)	711 (28)	805 (32)	338 x 760 (13.3 x 29.9)	202 (8)	126 (277)
MS-TRN-AI2-L42W38-34		8	1066 (42)	864 (34)	958 (38)	425 x 760 (16.6 x 29.9)	202 (8)	139 (306)

Networked Control Card Ai2

INTERMEDIATE SINGLE VERSION INTERMEDIATE DOUBLE VERSION



Max. 25 Kg

Max. 25 Kg

The Intermediate module (single or double) is an all 24-Volt motorized belt conveyor actuated by driven roller (MDR). It integrates specifically with Modsort Dual Divert module. The machine is designed for interconnecting 2 Modsort units, with the possibility of managing the correct gap between the parcels for an effective sorting.

ITEM DESCRIPTION COMPLETE UNIT SINGLE BELT	ITEM DESCRIPTION COMPLETE UNIT DOUBLE BELT	SIZE	LENGTH SINGLE	LENGTH DOUBLE	INTERNAL WIDTH "A"	EXTERNAL WIDTH "B"	HEIGHT FRAME	UNIT WEIGHT	
								SINGLE	DOUBLE
mm (inch)									
kg (lbs.)									
MS-INT-1ZB-L28W19-16	MS-INT-2ZB-L56W19-16	1, 3	711 (28)	1422 (56)	406 (16)	500 (19.7)	202 (8)	60 (132.28)	120 (264.55)
MS-INT-1ZB-L28W26-22	MS-INT-2ZB-L56W26-22	2, 4, 6	711 (28)	1422 (56)	559 (22)	653 (25.7)	202 (8)	75 (165.35)	155 (341.72)
MS-INT-1ZB-L28W32-28	MS-INT-2ZB-L56W32-28	5, 7	711 (28)	1422 (56)	711 (28)	805 (31.7)	202 (8)	95 (209.44)	190 (418.88)
MS-INT-1ZB-L28W38-34	MS-INT-2ZB-L56W38-34	8	711 (28)	1422 (56)	864 (34)	958 (37.7)	202 (8)	115 (253.53)	230 (507.06)
MS-INT-1ZB-L28W40-37	MS-INT-2ZB-L56W40-37	9	711 (28)	1422 (56)	922 (36)	1029 (40.5)	202 (8)	124 (273.37)	240 (529.11)

Networked Control Card Ai2

* The following are believed to be the trademarks and/or trade names of their respective owners and are not owned or controlled by Regal Beloit Corporation. PulseRoller, Senergy, Insight Automation, Inc.

Chains & sprockets	Wear strips	Side guide brackets & accessories	Levelers	Engineering manual
Modular belts & sprockets	Chain & belt return systems	Frame & structure supports	Bearing supports	
Curves & tracks	Side guide solutions	Miscellaneous products	Equipment	

57025a

MODSORT® TRANSFER MODULE

www.SystemPlastSmartGuide.com

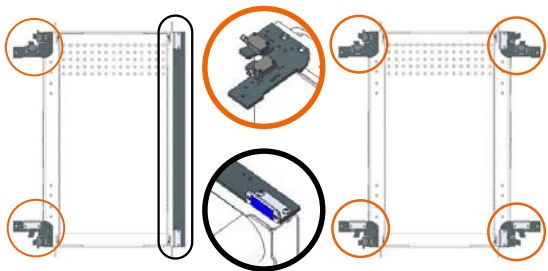
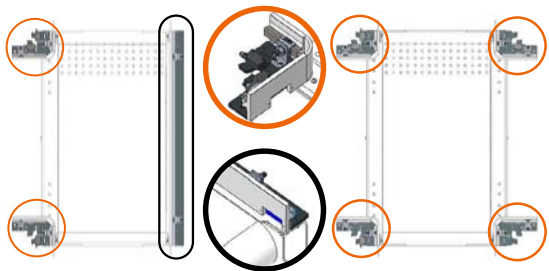
ACCESSORIES

SIDE GUIDE KITS (INCLUDING PHOTO-EYE)

SINGLE DIVERT **DOUBLE DIVERT**

PHOTO EYE KITS

SINGLE DIVERT **DOUBLE DIVERT**



◀ back

ITEM DESCRIPTION
MODSORT-MSGK-30-16TAW-S
MODSORT-MSGK-30-22TAW-S
MODSORT-MSGK-36-16TAW-S
MODSORT-MSGK-36-22TAW-S
MODSORT-MSGK-36-28TAW-S
MODSORT-MSGK-42-22TAW-S
MODSORT-MSGK-42-28TAW-S
MODSORT-MSGK-42-34TAW-S
MODSORT-MSGK-56-36TAW-S
MODSORT-MSGK-56-42TAW-S
MODSORT-MSGK-56-48TAW-S

ITEM DESCRIPTION
MODSORT-MSGK-30-16TAW-D
MODSORT-MSGK-30-22TAW-D
MODSORT-MSGK-36-16TAW-D
MODSORT-MSGK-36-22TAW-D
MODSORT-MSGK-36-28TAW-D
MODSORT-MSGK-42-22TAW-D
MODSORT-MSGK-42-28TAW-D
MODSORT-MSGK-42-34TAW-D
MODSORT-MSGK-56-36TAW-D
MODSORT-MSGK-56-42TAW-D
MODSORT-MSGK-56-48TAW-D

ITEM DESCRIPTION
MODSORT-MPES-30-16TAW-S
MODSORT-MPES-30-22TAW-S
MODSORT-MPES-36-16TAW-S
MODSORT-MPES-36-22TAW-S
MODSORT-MPES-36-28TAW-S
MODSORT-MPES-42-22TAW-S
MODSORT-MPES-42-28TAW-S
MODSORT-MPES-42-34TAW-S
MODSORT-MPES-56-36TAW-S
MODSORT-MPES-56-42TAW-S
MODSORT-MPES-56-48TAW-S

ITEM DESCRIPTION	MODSORT SIZE	TAKE-AWAY WIDTH	TRANSFER LENGTH
		mm (inch)	
MODSORT-MPES-30-16TAW-D	1, 2	406 (16)	762 (30)
MODSORT-MPES-30-22TAW-D	1, 2	559 (22)	762 (30)
MODSORT-MPES-36-16TAW-D	3, 4, 5	406 (16)	914 (36)
MODSORT-MPES-36-22TAW-D	3, 4, 5	559 (22)	914 (36)
MODSORT-MPES-36-28TAW-D	3, 4, 5	711 (28)	914 (36)
MODSORT-MPES-42-22TAW-D	6, 7, 8	559 (22)	1066 (42)
MODSORT-MPES-42-28TAW-D	6, 7, 8	711 (28)	1066 (42)
MODSORT-MPES-42-34TAW-D	6, 7, 8	864(34)	1066 (42)
MODSORT-MPES-56-36TAW-D	9	1422 (56)	914 (36)
MODSORT-MPES-56-42TAW-D	9	1422 (56)	1067 (42)
MODSORT-MPES-56-48TAW-D	9	1422 (56)	1219 (48)



Check also our Low friction bead guides that are including light and heavy duty options.

Go to page: **51520a**



ADJUSTABLE LEG KIT

ITEM DESCRIPTION	MODSORT SIZE	TOTAL HEIGHT RANGE* mm (inch)
MODSORT-LSK-500-670-16BFW	1, 3	500 - 670 (20 - 26)
MODSORT-LSK-670-865-16BFW	1, 3	670 - 865 (26 - 34)
MODSORT-LSK-865-1350-16BFW	1, 3	865 - 1350 (34 - 53)
MODSORT-LSK-500-670-22BFW	2, 4, 6	500 - 670 (20 - 26)
MODSORT-LSK-670-865-22BFW	2, 4, 6	670 - 865 (26 - 34)
MODSORT-LSK-865-1350-22BFW	2, 4, 6	865 - 1350 (34 - 53)
MODSORT-LSK-500-670-28BFW	5, 7	500 - 670 (20 - 26)
MODSORT-LSK-670-865-28BFW	5, 7	670 - 865 (26 - 34)
MODSORT-LSK-865-1350-28BFW	5, 7	865 - 1350 (34 - 53)
MODSORT-LSK-500-670-34BFW	8	500 - 670 (20 - 26)
MODSORT-LSK-670-865-34BFW	8	670 - 865 (26 - 34)
MODSORT-LSK-865-1350-34BFW	8	865 - 1350 (34 - 53)
MODSORT-LSK-500-670-37BFW	9	500 - 670 (20 - 26)
MODSORT-LSK-670-865-37BFW	9	670 - 865 (26 - 34)
MODSORT-LSK-865-1350-37BFW	9	865 - 1350 (34 - 53)



1 Support Leg Kit includes Legs and levelers as shown in the image

* Height inclusive of Leg Kit + Standard Modsort Unit

POWER SUPPLY KIT

ITEM DESCRIPTION
MODSORT-MPS-400W

STAND ALONE KIT

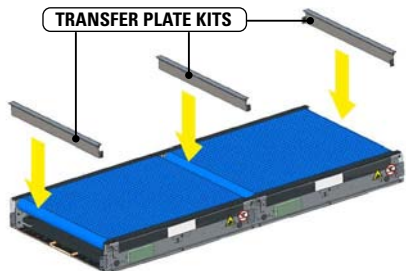
ITEM DESCRIPTION
MODSORT-MPEK

CONTROL CARD

ITEM DESCRIPTION
MS-CONTROLLER-AI-2

TRANSFER PLATE KIT (SUPPORT FRAME AND FIXING BOLTS INCLUDED)

ITEM DESCRIPTION	MODSORT SIZE	TOTAL LENGTH mm (inch)	TOTAL HEIGHT mm (inch)	TRANSFER PLATE WIDTH mm (inch)
MS-EU-TRANSFER-PLATE-ASSEM-16W	1, 3	406 (16)	86,5 (3.4)	40 (1.57)
MS-EU-TRANSFER-PLATE-ASSEM-22W	2, 4, 6	559 (22)		
MS-EU-TRANSFER-PLATE-ASSEM-28W	5, 7	711 (28)		
MS-EU-TRANSFER-PLATE-ASSEM-34W	8	864 (34)		
MS-EU-TRANSFER-PLATE-ASSEM-37W	9	940 (37)		



MATERIAL: Transfer plate profile in Nolu-S™. Connecting plate in galvanized steel. Fixing screws in black-oxide alloy steel.

◀ back

Chains & sprockets	Wear strips	Side guide brackets & accessories	Levelers	Engineering manual
Modular belts & sprockets	Chain & belt return systems	Frame & structure supports	Bearing supports	
Curves & tracks	Side guide solutions	Miscellaneous products	Equipment	

5 7 0 3 0 a

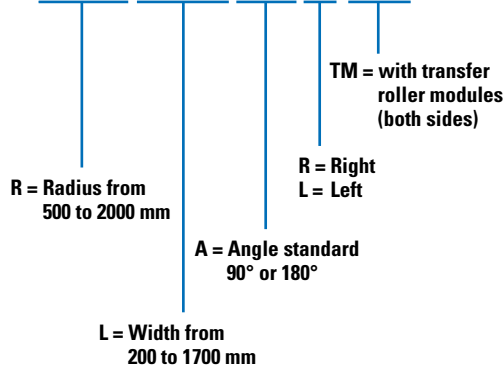
MODFLEX™ MODULAR CURVE

www.SystemPlastSmartGuide.com



MODFLEX™

MODFLEX - R800 L1400 A90 R - TM



PRODUCT TYPICALLY CONVEYED

General information:

- Compact design in relation to the width of the belt (small radius in combination with wide curve possible).
- Position and orientation of conveyed products perfectly controlled and not altered during operation.
- Relatively small in-feed and out-feed rolling diameters to grant a good product transfer.
- High strength and resistance to heavy loads.
- High linear speed.
- Easy maintenance requirements.

Features:

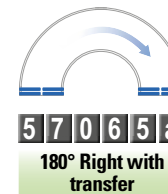
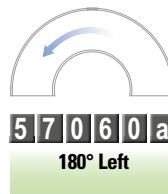
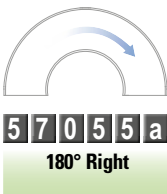
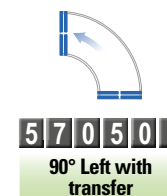
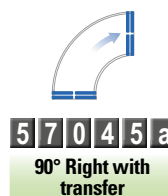
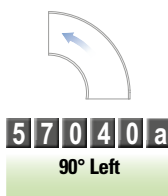
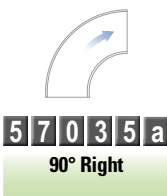
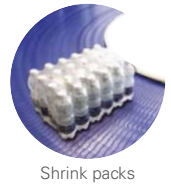
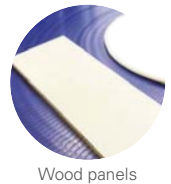
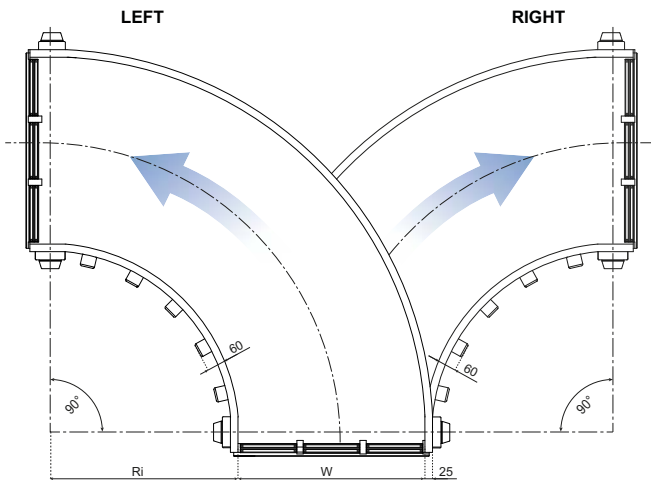
- Suitable for conveying large and heavy products.
- Safe design (completely closed structure).
- High wear resistance.
- High chemical resistance.
- Low noise.
- Dry run solution.

Application:

- Logistics industry and distribution centers.
- Food and beverage.
- Tiles, bricks and cement production.
- Woodworking industry.
- Hostile environments and heavy duty operation in general.

Details:

- Max load allowed: 250 Kg/m (2450 N/m).
- Max speed on inner radius Ri: 60 m/min.
- Curve angle 90° and 180°.
- Useful width (W) from 200 mm to 1600 mm.
- Inner radius (Ri) from 500 mm to 2000 mm.
- Frame height (H) 235/275 mm.
- Frame in stainless steel.
- Low friction plastic belt material - color blue.
- Gearbox not included (40mm shaft diameter).
- Feet and legs not included; brackets, connecting joints, support bases and levelling pads can be provided on demand.



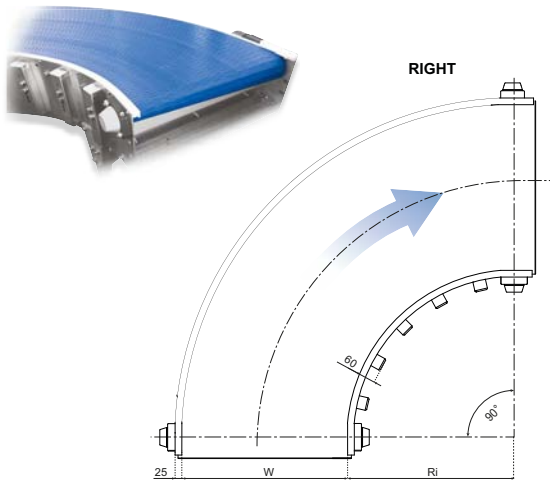
Chains & sprockets	Wear strips	Side guide brackets & accessories	Levelers	Engineering manual
Modular belts & sprockets	Chain & belt return systems	Frame & structure supports	Bearing supports	
Curves & tracks	Side guide solutions	Miscellaneous products	Equipment	

57035a

MODFLEX™ MODULAR CURVE

RIGHT CURVE 90°

www.SystemPlastSmartGuide.com



MODFLEX - R800 L1400 A90 R - TM

R = Radius from 500 to 2000 mm
A = Angle standard 90° or 180°
L = Width from 200 to 1700 mm
R = Right
L = Left
TM = with transfer roller modules (both sides)

WIDTH	R500	R600	R800	R1000	R1200
200	-	MODFLEX-R600L200A90R	MODFLEX-R800L200A90R	MODFLEX-R1000L200A90R	MODFLEX-R1200L200A90R
300	MODFLEX-R500L300A90R	-	-	-	-
400	-	MODFLEX-R600L400A90R	MODFLEX-R800L400A90R	MODFLEX-R1000L400A90R	MODFLEX-R1200L400A90R
500	MODFLEX-R500L500A90R	-	-	-	-
600	-	MODFLEX-R600L600A90R	MODFLEX-R800L600A90R	MODFLEX-R1000L600A90R	MODFLEX-R1200L600A90R
700	MODFLEX-R500L700A90R	-	-	-	-
800	-	MODFLEX-R600L800A90R	MODFLEX-R800L800A90R	MODFLEX-R1000L800A90R	MODFLEX-R1200L800A90R
900	MODFLEX-R500L900A90R	-	-	-	-
1000	-	MODFLEX-R600L1000A90R	MODFLEX-R800L1000A90R	MODFLEX-R1000L1000A90R	MODFLEX-R1200L1000A90R
1100	MODFLEX-R500L1100A90R	-	-	-	-
1200	-	MODFLEX-R600L1200A90R	MODFLEX-R800L1200A90R	MODFLEX-R1000L1200A90R	-
1300	MODFLEX-R500L1300A90R	-	-	-	-
1400	-	MODFLEX-R600L1400A90R	MODFLEX-R800L1400A90R	-	-
1500	MODFLEX-R500L1500A90R	-	-	-	-
1600	-	MODFLEX-R600L1600A90R	-	-	-

WIDTH	R1400	R1600	R1800	R2000
200	MODFLEX-R1400L200A90R	MODFLEX-R1600L200A90R	MODFLEX-R1800L200A90R	MODFLEX-R2000L200A90R
400	MODFLEX-R1400L400A90R	MODFLEX-R1600L400A90R	MODFLEX-R1800L400A90R	-
600	MODFLEX-R1400L600A90R	MODFLEX-R1600L600A90R	-	-
800	MODFLEX-R1400L800A90R	-	-	-

Side mounting top brackets:

54020a

Connecting joints:

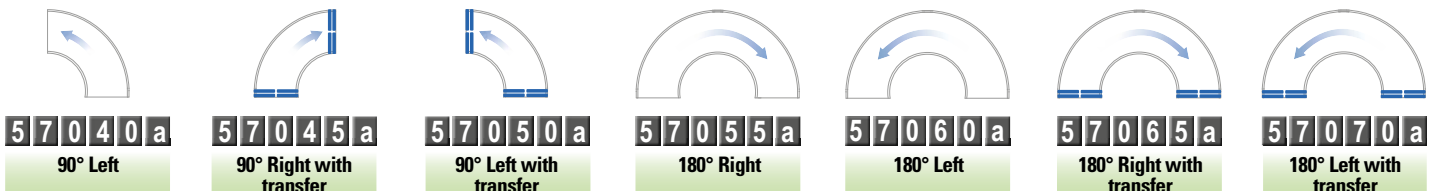
54070a

Support bases:

54030a

Levelers and tube ends:

55510a



57040a

90° Left

57045a

90° Right with transfer

57050a

90° Left with transfer

57055a

180° Right

57060a

180° Left

57065a

180° Right with transfer

57070a

180° Left with transfer

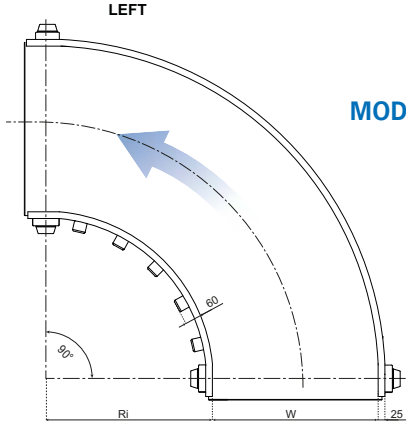
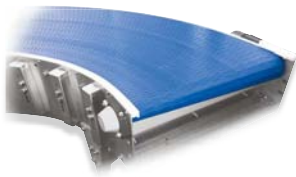
Chains & sprockets	Wear strips	Side guide brackets & accessories	Levelers	Engineering manual
Modular belts & sprockets	Chain & belt return systems	Frame & structure supports	Bearing supports	
Curves & tracks	Side guide solutions	Miscellaneous products	Equipment	

57040a

MODFLEX™ MODULAR CURVE

www.SystemPlastSmartGuide.com

LEFT CURVE 90°



MODFLEX - R800 L1400 A90 R - TM

R = Radius from 500 to 2000 mm
 A = Angle standard 90° or 180°
 L = Width from 200 to 1700 mm
 R = Right
 L = Left
 TM = with transfer roller modules (both sides)

WIDTH	R500	R600	R800	R1000	R1200
200	-	MODFLEX-R600L200A90L	MODFLEX-R800L200A90L	MODFLEX-R1000L200A90L	MODFLEX-R1200L200A90L
300	MODFLEX-R500L300A90L	-	-	-	-
400	-	MODFLEX-R600L400A90L	MODFLEX-R800L400A90L	MODFLEX-R1000L400A90L	MODFLEX-R1200L400A90L
500	MODFLEX-R500L500A90L	-	-	-	-
600	-	MODFLEX-R600L600A90L	MODFLEX-R800L600A90L	MODFLEX-R1000L600A90L	MODFLEX-R1200L600A90L
700	MODFLEX-R500L700A90L	-	-	-	-
800	-	MODFLEX-R600L800A90L	MODFLEX-R800L800A90L	MODFLEX-R1000L800A90L	MODFLEX-R1200L800A90L
900	MODFLEX-R500L900A90L	-	-	-	-
1000	-	MODFLEX-R600L1000A90L	MODFLEX-R800L1000A90L	MODFLEX-R1000L1000A90L	MODFLEX-R1200L1000A90L
1100	MODFLEX-R500L1100A90L	-	-	-	-
1200	-	MODFLEX-R600L1200A90L	MODFLEX-R800L1200A90L	MODFLEX-R1000L1200A90L	-
1300	MODFLEX-R500L1300A90L	-	-	-	-
1400	-	MODFLEX-R600L1400A90L	MODFLEX-R800L1400A90L	-	-
1500	MODFLEX-R500L1500A90L	-	-	-	-
1600	-	MODFLEX-R600L1600A90L	-	-	-

WIDTH	R1400	R1600	R1800	R2000
200	MODFLEX-R1400L200A90L	MODFLEX-R1600L200A90L	MODFLEX-R1800L200A90L	MODFLEX-R2000L200A90L
400	MODFLEX-R1400L400A90L	MODFLEX-R1600L400A90L	MODFLEX-R1800L400A90L	-
600	MODFLEX-R1400L600A90L	MODFLEX-R1600L600A90L	-	-
800	MODFLEX-R1400L800A90L	-	-	-

Side mounting top brackets:

54020a

Connecting joints:

54070a

Support bases:

54030a

Levelers and tube ends:

55510a

57035a	57045a	57050a	57055a	57060a	57065a	57070a
90° Right	90° Right with transfer	90° Left with transfer	180° Right	180° Left	180° Right with transfer	180° Left with transfer

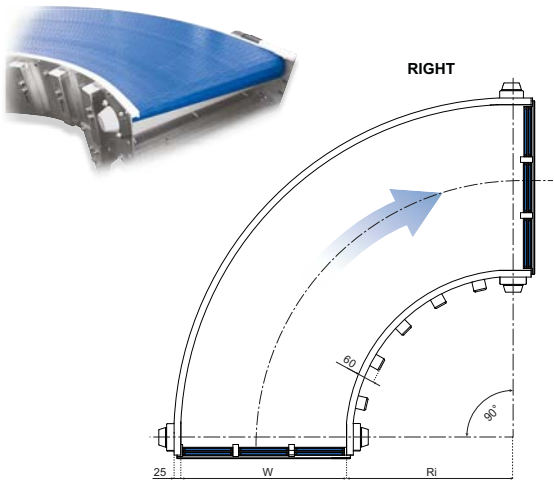
Chains & sprockets	Wear strips	Side guide brackets & accessories	Levelers	Engineering manual
Modular belts & sprockets	Chain & belt return systems	Frame & structure supports	Bearing supports	
Curves & tracks	Side guide solutions	Miscellaneous products	Equipment	

57045a

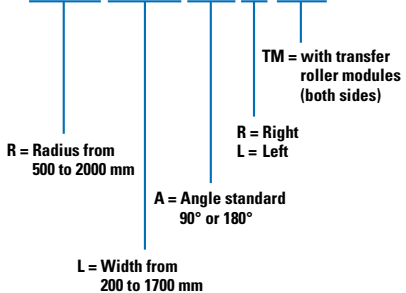
www.SystemPlastSmartGuide.com

MODFLEX™ MODULAR CURVE

RIGHT CURVE WITH TRANSFER ROLLER 90°



MODFLEX - R800 L1400 A90 R - TM



WIDTH	R500	R600	R800	R1000	R1200
200	-	MODFLEX-R600L200A90R-TM	MODFLEX-R800L200A90R-TM	MODFLEX-R1000L200A90R-TM	MODFLEX-R1200L200A90R-TM
300	MODFLEX-R500L300A90R-TM	-	-	-	-
400	-	MODFLEX-R600L400A90R-TM	MODFLEX-R800L400A90R-TM	MODFLEX-R1000L400A90R-TM	MODFLEX-R1200L400A90R-TM
500	MODFLEX-R500L500A90R-TM	-	-	-	-
600	-	MODFLEX-R600L600A90R-TM	MODFLEX-R800L600A90R-TM	MODFLEX-R1000L600A90R-TM	MODFLEX-R1200L600A90R-TM
700	MODFLEX-R500L700A90R-TM	-	-	-	-
800	-	MODFLEX-R600L800A90R-TM	MODFLEX-R800L800A90R-TM	MODFLEX-R1000L800A90R-TM	MODFLEX-R1200L800A90R-TM
900	MODFLEX-R500L900A90R-TM	-	-	-	-
1000	-	MODFLEX-R600L1000A90R-TM	MODFLEX-R800L1000A90R-TM	MODFLEX-R1000L1000A90R-TM	MODFLEX-R1200L1000A90R-TM
1100	MODFLEX-R500L1100A90R-TM	-	-	-	-
1200	-	MODFLEX-R600L1200A90R-TM	MODFLEX-R800L1200A90R-TM	MODFLEX-R1000L1200A90R-TM	-
1300	MODFLEX-R500L1300A90R-TM	-	-	-	-
1400	-	MODFLEX-R600L1400A90R-TM	MODFLEX-R800L1400A90R-TM	-	-
1500	MODFLEX-R500L1500A90R-TM	-	-	-	-
1600	-	MODFLEX-R600L1600A90R-TM	-	-	-

WIDTH	R1400	R1600	R1800	R2000
200	MODFLEX-R1400L200A90R-TM	MODFLEX-R1600L200A90R-TM	MODFLEX-R1800L200A90R-TM	MODFLEX-R2000L200A90R-TM
400	MODFLEX-R1400L400A90R-TM	MODFLEX-R1600L400A90R-TM	MODFLEX-R1800L400A90R-TM	-
600	MODFLEX-R1400L600A90R-TM	MODFLEX-R1600L600A90R-TM	-	-
800	MODFLEX-R1400L800A90R-TM	-	-	-

Side mounting top brackets:

54020a

Connecting joints:

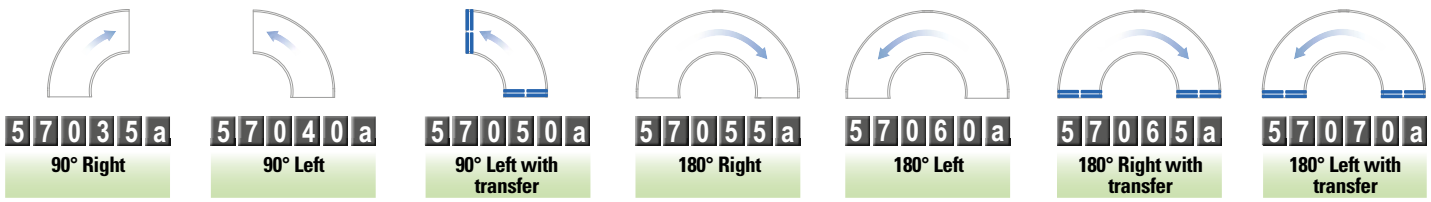
54070a

Support bases:

54030a

Levelers and tube ends:

55510a



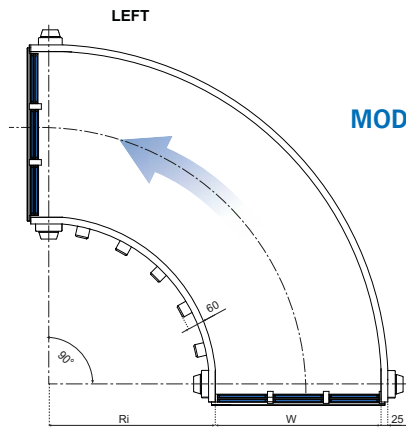
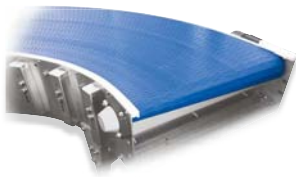
Chains & sprockets	Wear strips	Side guide brackets & accessories	Levelers	Engineering manual
Modular belts & sprockets	Chain & belt return systems	Frame & structure supports	Bearing supports	
Curves & tracks	Side guide solutions	Miscellaneous products	Equipment	

5 7 0 5 0 a

www.SystemPlastSmartGuide.com

MODFLEX™ MODULAR CURVE

LEFT CURVE WITH TRANSFER ROLLER 90°



MODFLEX - R800 L1400 A90 R - TM

R = Radius from 500 to 2000 mm
L = Width from 200 to 1700 mm
A = Angle standard 90° or 180°
R = Right
L = Left
TM = with transfer roller modules (both sides)

WIDTH	R500	R600	R800	R1000	R1200
200	-	MODFLEX-R600L200A90L-TM	MODFLEX-R800L200A90L-TM	MODFLEX-R1000L200A90L-TM	MODFLEX-R1200L200A90L-TM
300	MODFLEX-R500L300A90L-TM	-	-	-	-
400	-	MODFLEX-R600L400A90L-TM	MODFLEX-R800L400A90L-TM	MODFLEX-R1000L400A90L-TM	MODFLEX-R1200L400A90L-TM
500	MODFLEX-R500L500A90L-TM	-	-	-	-
600	-	MODFLEX-R600L600A90L-TM	MODFLEX-R800L600A90L-TM	MODFLEX-R1000L600A90L-TM	MODFLEX-R1200L600A90L-TM
700	MODFLEX-R500L700A90L-TM	-	-	-	-
800	-	MODFLEX-R600L800A90L-TM	MODFLEX-R800L800A90L-TM	MODFLEX-R1000L800A90L-TM	MODFLEX-R1200L800A90L-TM
900	MODFLEX-R500L900A90L-TM	-	-	-	-
1000	-	MODFLEX-R600L1000A90L-TM	MODFLEX-R800L1000A90L-TM	MODFLEX-R1000L1000A90L-TM	MODFLEX-R1200L1000A90L-TM
1100	MODFLEX-R500L1100A90L-TM	-	-	-	-
1200	-	MODFLEX-R600L1200A90L-TM	MODFLEX-R800L1200A90L-TM	MODFLEX-R1000L1200A90L-TM	-
1300	MODFLEX-R500L1300A90L-TM	-	-	-	-
1400	-	MODFLEX-R600L1400A90L-TM	MODFLEX-R800L1400A90L-TM	-	-
1500	MODFLEX-R500L1500A90L-TM	-	-	-	-
1600	-	MODFLEX-R600L1600A90L-TM	-	-	-

WIDTH	R1400	R1600	R1800	R2000
200	MODFLEX-R1400L200A90L-TM	MODFLEX-R1600L200A90L-TM	MODFLEX-R1800L200A90L-TM	MODFLEX-R2000L200A90L-TM
400	MODFLEX-R1400L400A90L-TM	MODFLEX-R1600L400A90L-TM	MODFLEX-R1800L400A90L-TM	-
600	MODFLEX-R1400L600A90L-TM	MODFLEX-R1600L600A90L-TM	-	-
800	MODFLEX-R1400L800A90L-TM	-	-	-

Side mounting top brackets:

5 4 0 2 0 a

Connecting joints:

5 4 0 7 0 a

Support bases:

5 4 0 3 0 a

Levelers and tube ends:

5 5 5 1 0 a

5 7 0 3 5 a
90° Right

5 7 0 4 0 a
90° Left

5 7 0 4 5 a
90° Right with transfer

5 7 0 5 5 a
180° Right

5 7 0 6 0 a
180° Left

5 7 0 6 5 a
180° Right with transfer

5 7 0 7 0 a
180° Left with transfer

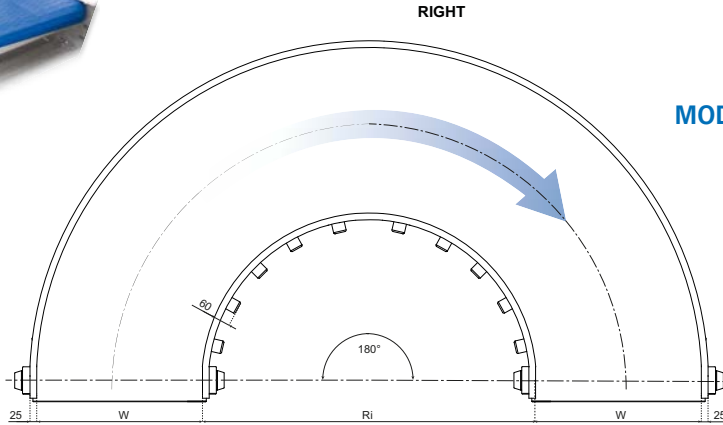
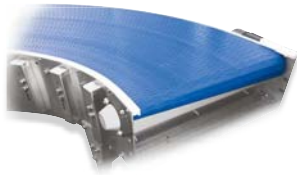
Chains & sprockets	Wear strips	Side guide brackets & accessories	Levelers	Engineering manual
Modular belts & sprockets	Chain & belt return systems	Frame & structure supports	Bearing supports	
Curves & tracks	Side guide solutions	Miscellaneous products	Equipment	

57055a

MODFLEX™ MODULAR CURVE

www.SystemPlastSmartGuide.com

RIGHT CURVE 180°



MODFLEX - R800 L1400 A90 R - TM

R = Radius from 500 to 2000 mm

R = Right
L = Left

A = Angle standard 90° or 180°

L = Width from 200 to 1700 mm

TM = with transfer roller modules (both sides)

WIDTH	R500	R600	R800	R1000	R1200
200	-	MODFLEX-R600L200A180R	MODFLEX-R800L200A180R	MODFLEX-R1000L200A180R	MODFLEX-R1200L200A180R
300	MODFLEX-R500L300A180R	-	-	-	-
400	-	MODFLEX-R600L400A180R	MODFLEX-R800L400A180R	MODFLEX-R1000L400A180R	MODFLEX-R1200L400A180R
500	MODFLEX-R500L500A180R	-	-	-	-
600	-	MODFLEX-R600L600A180R	MODFLEX-R800L600A180R	MODFLEX-R1000L600A180R	MODFLEX-R1200L600A180R
700	MODFLEX-R500L700A180R	-	-	-	-
800	-	MODFLEX-R600L800A180R	MODFLEX-R800L800A180R	MODFLEX-R1000L800A180R	MODFLEX-R1200L800A180R
900	MODFLEX-R500L900A180R	-	-	-	-
1000	-	MODFLEX-R600L1000A180R	MODFLEX-R800L1000A180R	MODFLEX-R1000L1000A180R	MODFLEX-R1200L1000A180R
1100	MODFLEX-R500L1100A180R	-	-	-	-
1200	-	MODFLEX-R600L1200A180R	MODFLEX-R800L1200A180R	MODFLEX-R1000L1200A180R	-
1300	MODFLEX-R500L1300A180R	-	-	-	-
1400	-	MODFLEX-R600L1400A180R	MODFLEX-R800L1400A180R	-	-
1500	MODFLEX-R500L1500A180R	-	-	-	-
1600	-	MODFLEX-R600L1600A180R	-	-	-
1700	MODFLEX-R500L1700A180R	-	-	-	-

WIDTH	R1400	R1600	R1800	R2000
200	MODFLEX-R1400L200A180R	MODFLEX-R1600L200A180R	MODFLEX-R1800L200A180R	MODFLEX-R2000L200A180R
400	MODFLEX-R1400L400A180R	MODFLEX-R1600L400A180R	MODFLEX-R1800L400A180R	-
600	MODFLEX-R1400L600A180R	MODFLEX-R1600L600A180R	-	-
800	MODFLEX-R1400L800A180R	-	-	-

Side mounting top brackets:

54020a

Connecting joints:

54070a

Support bases:

54030a

Levelers and tube ends:

55510a

57035a
90° Right

57040a
90° Left

57045a
90° Right with transfer

57050a
90° Left with transfer

57060a
180° Left

57065a
180° Right with transfer

57070a
180° Left with transfer

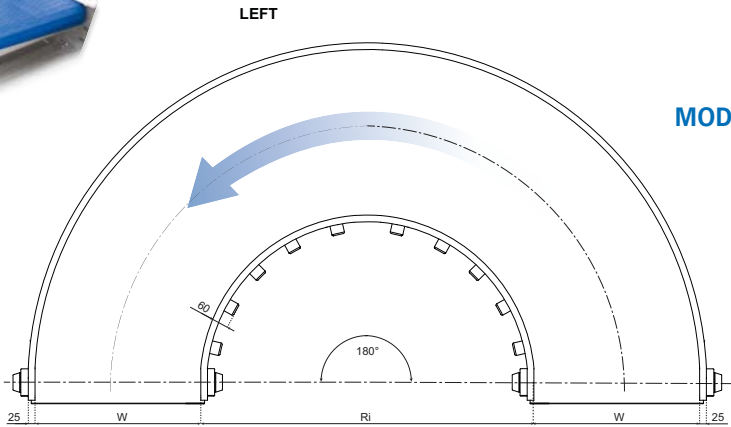
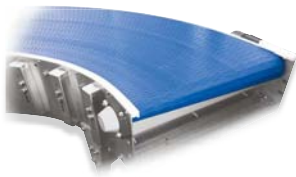
Chains & sprockets	Wear strips	Side guide brackets & accessories	Levelers	Engineering manual
Modular belts & sprockets	Chain & belt return systems	Frame & structure supports	Bearing supports	
Curves & tracks	Side guide solutions	Miscellaneous products	Equipment	

57060a

MODFLEX™ MODULAR CURVE

www.SystemPlastSmartGuide.com

LEFT CURVE 180°



MODFLEX - R800 L1400 A90 R - TM

R = Radius from 500 to 2000 mm
 L = Width from 200 to 1700 mm
 A = Angle standard 90° or 180°
 R = Right
 L = Left
 TM = with transfer roller modules (both sides)

WIDTH	R500	R600	R800	R1000	R1200
200	-	MODFLEX-R600L200A180L	MODFLEX-R800L200A180L	MODFLEX-R1000L200A180L	MODFLEX-R1200L200A180L
300	MODFLEX-R500L300A180L	-	-	-	-
400	-	MODFLEX-R600L400A180L	MODFLEX-R800L400A180L	MODFLEX-R1000L400A180L	MODFLEX-R1200L400A180L
500	MODFLEX-R500L500A180L	-	-	-	-
600	-	MODFLEX-R600L600A180L	MODFLEX-R800L600A180L	MODFLEX-R1000L600A180L	MODFLEX-R1200L600A180L
700	MODFLEX-R500L700A180L	-	-	-	-
800	-	MODFLEX-R600L800A180L	MODFLEX-R800L800A180L	MODFLEX-R1000L800A180L	MODFLEX-R1200L800A180L
900	MODFLEX-R500L900A180L	-	-	-	-
1000	-	MODFLEX-R600L1000A180L	MODFLEX-R800L1000A180L	MODFLEX-R1000L1000A180L	MODFLEX-R1200L1000A180L
1100	MODFLEX-R500L1100A180L	-	-	-	-
1200	-	MODFLEX-R600L1200A180L	MODFLEX-R800L1200A180L	MODFLEX-R1000L1200A180L	-
1300	MODFLEX-R500L1300A180L	-	-	-	-
1400	-	MODFLEX-R600L1400A180L	MODFLEX-R800L1400A180L	-	-
1500	MODFLEX-R500L1500A180L	-	-	-	-
1600	-	MODFLEX-R600L1600A180L	-	-	-
1700	MODFLEX-R500L1700A180L	-	-	-	-

WIDTH	R1400	R1600	R1800	R2000
200	MODFLEX-R1400L200A180L	MODFLEX-R1600L200A180L	MODFLEX-R1800L200A180L	MODFLEX-R2000L200A180L
400	MODFLEX-R1400L400A180L	MODFLEX-R1600L400A180L	MODFLEX-R1800L400A180L	-
600	MODFLEX-R1400L600A180L	MODFLEX-R1600L600A180L	-	-
800	MODFLEX-R1400L800A180L	-	-	-

Side mounting top brackets:

54020a

Connecting joints:

54070a

Support bases:

54030a

Levelers and tube ends:

55510a

57035a 90° Right	57040a 90° Left	57045a 90° Right with transfer	57050a 90° Left with transfer	57055a 180° Right	57065a 180° Right with transfer	57070a 180° Left with transfer

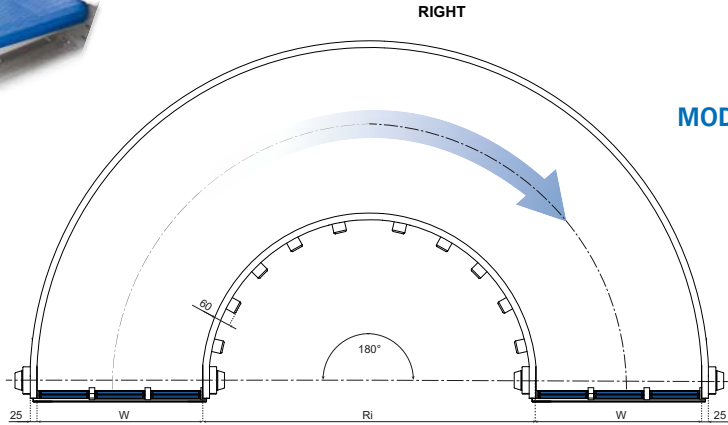
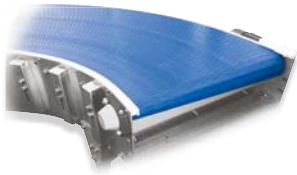
Chains & sprockets	Wear strips	Side guide brackets & accessories	Levelers	Engineering manual
Modular belts & sprockets	Chain & belt return systems	Frame & structure supports	Bearing supports	
Curves & tracks	Side guide solutions	Miscellaneous products	Equipment	

57065a

www.SystemPlastSmartGuide.com

MODFLEX™ MODULAR CURVE

RIGHT CURVE WITH TRANSFER ROLLER 180°



MODFLEX - R800 L1400 A90 R - TM

R = Radius from 500 to 2000 mm
L = Length from 200 to 1700 mm
A = Angle standard 90° or 180°
R = Right
L = Left
TM = with transfer roller modules (both sides)

WIDTH	R500	R600	R800	R1000	R1200
200	-	MODFLEX-R600L200A180R-TM	MODFLEX-R800L200A180R-TM	MODFLEX-R1000L200A180R-TM	MODFLEX-R1200L200A180R-TM
300	MODFLEX-R500L300A180R-TM	-	-	-	-
400	-	MODFLEX-R600L400A180R-TM	MODFLEX-R800L400A180R-TM	MODFLEX-R1000L400A180R-TM	MODFLEX-R1200L400A180R-TM
500	MODFLEX-R500L500A180R-TM	-	-	-	-
600	-	MODFLEX-R600L600A180R-TM	MODFLEX-R800L600A180R-TM	MODFLEX-R1000L600A180R-TM	MODFLEX-R1200L600A180R-TM
700	MODFLEX-R500L700A180R-TM	-	-	-	-
800	-	MODFLEX-R600L800A180R-TM	MODFLEX-R800L800A180R-TM	MODFLEX-R1000L800A180R-TM	MODFLEX-R1200L800A180R-TM
900	MODFLEX-R500L900A180R-TM	-	-	-	-
1000	-	MODFLEX-R600L1000A180R-TM	MODFLEX-R800L1000A180R-TM	MODFLEX-R1000L1000A180R-TM	MODFLEX-R1200L1000A180R-TM
1100	MODFLEX-R500L1100A180R-TM	-	-	-	-
1200	-	MODFLEX-R600L1200A180R-TM	MODFLEX-R800L1200A180R-TM	MODFLEX-R1000L1200A180R-TM	-
1300	MODFLEX-R500L1300A180R-TM	-	-	-	-
1400	-	MODFLEX-R600L1400A180R-TM	MODFLEX-R800L1400A180R-TM	-	-
1500	MODFLEX-R500L1500A180R-TM	-	-	-	-
1600	-	MODFLEX-R600L1600A180R-TM	-	-	-
1700	MODFLEX-R500L1700A180R-TM	-	-	-	-

WIDTH	R1400	R1600	R1800	R2000
200	MODFLEX-R1400L200A180R-TM	MODFLEX-R1600L200A180R-TM	MODFLEX-R1800L200A180R-TM	MODFLEX-R2000L200A180R-TM
400	MODFLEX-R1400L400A180R-TM	MODFLEX-R1600L400A180R-TM	MODFLEX-R1800L400A180R-TM	-
600	MODFLEX-R1400L600A180R-TM	MODFLEX-R1600L600A180R-TM	-	-
800	MODFLEX-R1400L800A180R-TM	-	-	-

Side mounting top brackets:

54020a

Connecting joints:

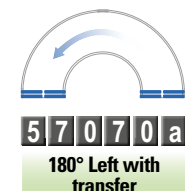
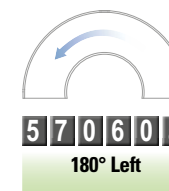
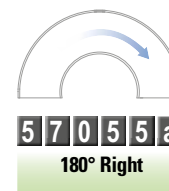
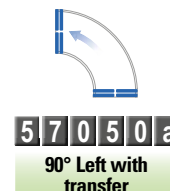
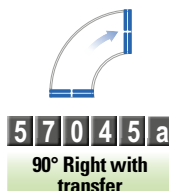
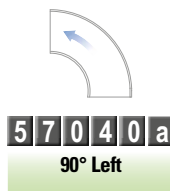
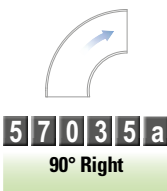
54070a

Support bases:

54030a

Levelers and tube ends:

55510a



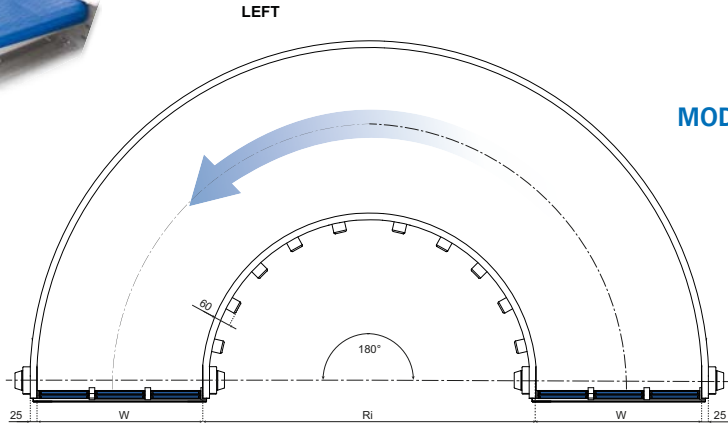
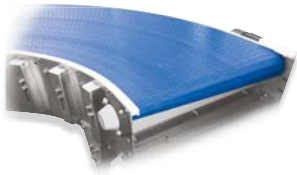
Chains & sprockets	Wear strips	Side guide brackets & accessories	Levelers	Engineering manual
Modular belts & sprockets	Chain & belt return systems	Frame & structure supports	Bearing supports	
Curves & tracks	Side guide solutions	Miscellaneous products	Equipment	

57070a

www.SystemPlastSmartGuide.com

MODFLEX™ MODULAR CURVE

LEFT CURVE WITH TRANSFER ROLLER 180°



MODFLEX - R800 L1400 A90 R - TM

R = Radius from 500 to 2000 mm
R = Right
L = Left
A = Angle standard 90° or 180°
L = Width from 200 to 1700 mm
TM = with transfer roller modules (both sides)

WIDTH	R500	R600	R800	R1000	R1200
200	-	MODFLEX-R600L200A180L-TM	MODFLEX-R800L200A180L-TM	MODFLEX-R1000L200A180L-TM	MODFLEX-R1200L200A180L-TM
300	MODFLEX-R500L300A180L-TM	-	-	-	-
400	-	MODFLEX-R600L400A180L-TM	MODFLEX-R800L400A180L-TM	MODFLEX-R1000L400A180L-TM	MODFLEX-R1200L400A180L-TM
500	MODFLEX-R500L500A180L-TM	-	-	-	-
600	-	MODFLEX-R600L600A180L-TM	MODFLEX-R800L600A180L-TM	MODFLEX-R1000L600A180L-TM	MODFLEX-R1200L600A180L-TM
700	MODFLEX-R500L700A180L-TM	-	-	-	-
800	-	MODFLEX-R600L800A180L-TM	MODFLEX-R800L800A180L-TM	MODFLEX-R1000L800A180L-TM	MODFLEX-R1200L800A180L-TM
900	MODFLEX-R500L900A180L-TM	-	-	-	-
1000	-	MODFLEX-R600L1000A180L-TM	MODFLEX-R800L1000A180L-TM	MODFLEX-R1000L1000A180L-TM	MODFLEX-R1200L1000A180L-TM
1100	MODFLEX-R500L1100A180L-TM	-	-	-	-
1200	-	MODFLEX-R600L1200A180L-TM	MODFLEX-R800L1200A180L-TM	MODFLEX-R1000L1200A180L-TM	-
1300	MODFLEX-R500L1300A180L-TM	-	-	-	-
1400	-	MODFLEX-R600L1400A180L-TM	MODFLEX-R800L1400A180L-TM	-	-
1500	MODFLEX-R500L1500A180L-TM	-	-	-	-
1600	-	MODFLEX-R600L1600A180L-TM	-	-	-
1700	MODFLEX-R500L1700A180L-TM	-	-	-	-

WIDTH	R1400	R1600	R1800	R2000
200	MODFLEX-R1400L200A180L-TM	MODFLEX-R1600L200A180L-TM	MODFLEX-R1800L200A180L-TM	MODFLEX-R2000L200A180L-TM
400	MODFLEX-R1400L400A180L-TM	MODFLEX-R1600L400A180L-TM	MODFLEX-R1800L400A180L-TM	-
600	MODFLEX-R1400L600A180L-TM	MODFLEX-R1600L600A180L-TM	-	-
800	MODFLEX-R1400L800A180L-TM	-	-	-

Side mounting top brackets:

54020a

Connecting joints:

54070a

Support bases:

54030a

Levelers and tube ends:

55510a

57035a
90° Right

57040a
90° Left

57045a
90° Right with transfer

57050a
90° Left with transfer

57055a
180° Right

57060a
180° Left

57065a
180° Right with transfer

Chains & sprockets	Wear strips	Side guide brackets & accessories	Levelers	Engineering manual
Modular belts & sprockets	Chain & belt return systems	Frame & structure supports	Bearing supports	
Curves & tracks	Side guide solutions	Miscellaneous products	Equipment	



PATENT PROTECTED



Features for iCOF device:

- Real time monitoring of the line condition.
- Addressing all container type (PET, glass and cans).
- Continuously measures the coefficient of friction.
- Calculates average value and a trend.
- Triggers an alarm if pre-set limits are reached.
- Can be portable or integrated in line control system.

Benefits:

- No operator intervention required for measuring.
- Easy to define optimum cleaning regime: "Smart Cleaning".
- Corrective action can be scheduled before efficiency is affected.
- Long term line condition can be analyzed using data from the iCOF device.

Why Coefficient of Friction?

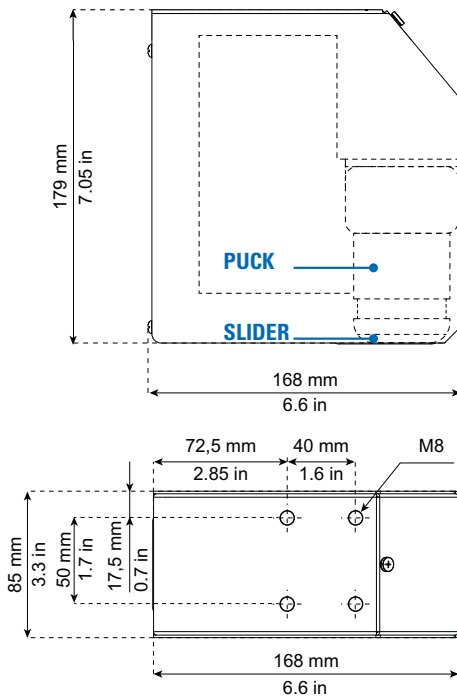
Variations in the coefficient of friction are a good indicator of changing conditions or pollution of the conveyor. Especially in dry running lines, the friction is a key factor for the proper handling and flow of containers. A permanent control process will help maintaining the optimum conditions and thus guarantee the line efficiency.

How does it work?

The iCOF device can be mounted on a conveyor and integrated in the line control system. It measures the friction at regular intervals that can be set by the user. Obtained data is used to calculate the average value as well as the trend. The values can trigger a signal once a pre-set limit is passed. Based on this signal, the user can check the situation and decide about the required corrective action. The system can work with Ethernet or Profinet protocol. Output is done through RJ45 connector. Obviously for integration in the line control system, a close cooperation with the OEM is required. The iCOF device can also be used as a stand-alone or portable device for spot measurements.

Where can it be used?

The iCOF device can be used throughout the line wherever it makes sense to temporarily or continuously monitor the friction to collect performance data, obtain data for trouble shooting or to act as continuous input for the line controls.



APPLICATION TYPE	COMPLETE UNIT - SLIDER INCLUDED*	
	ITEM DESCRIPTION	
PET 		ICOF-PET
CAN 		ICOF-CAN
GLASS 		ICOF-GLASS

SPARE PARTS - SLIDERS ONLY	
ITEM DESCRIPTION	
	ICOF-SLIDER-PET
	ICOF-SLIDER-CAN
	ICOF-SLIDER-GLASS

Box includes:

- iCOF® device
- Slider (PET, CAN or GLASS)
- Set of screws for slider
- Screw driver
- USB drive with GUI



* The complete unit includes already related slider.

Chains & sprockets	Wear strips	Side guide brackets & accessories	Levelers	Engineering manual
Modular belts & sprockets	Chain & belt return systems	Frame & structure supports	Bearing supports	
Curves & tracks	Side guide solutions	Miscellaneous products	Equipment	



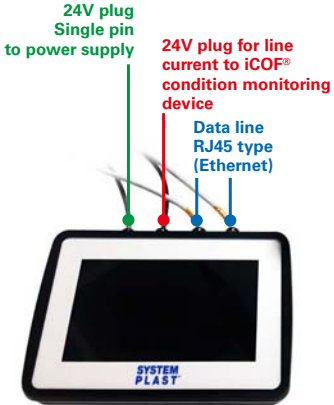
CONTROLLER

ITEM DESCRIPTION
ICOF-CONTROLLER-MODULE

STAND ALONE: Secondary mode, for portable use and quick installation

a) CONTROLLER MODE

- 7 Inches touch screen, 24V industrial tablet, waterproof
- Software and GUI embedded into the controller
- Easy and quick connection to the iCOF device (pre set plugs and cables)
- Plug and play
- Easy fixing to the conveyor frame



USB HARDWARE PEN

ITEM DESCRIPTION
ICOF-USB-HARDWARE-PEN

STAND ALONE: Secondary mode, for portable use and quick installation

b) PC MODE

- Alternative mode (not recommended - PC often not allowed in line)
- It requires software for data acquisition (available)
- It requires PLC emulator (hardware key supplied apart)
- 24V adaptor to line current for iCOF condition monitoring device supplied as optional on request.



IMPORTANT NOTE

This mode of use implies PC rights at Admin level. Being the architecture of the software is based on the PLC architecture, it may become necessary to bypass the firewall by opening some backdoors. This often is a not acceptable condition for a PC security.

POWER SUPPLY

ITEM DESCRIPTION
ICOF-KIT-POWER-SUPPLY

100-240V 24V-1.25A 50-60Hz



PORTABLE SUPPORT STRUCTURE

ITEM DESCRIPTION
ICOF-SUPPORT-B520x1100xH1800mm

Mainly meant for stand alone use, for quick measures or when different measuring points are required

Easy assembly

Made of aluminum tubes (abt 20kg weight)

Overall dimensions: 1100 x 520 x 1800 mm

Work layer: adjustable from 979 to 1226 mm



Chains & sprockets	Wear strips	Side guide brackets & accessories	Levelers	Engineering manual
Modular belts & sprockets	Chain & belt return systems	Frame & structure supports	Bearing supports	
Curves & tracks	Side guide solutions	Miscellaneous products	Equipment	

7 2 0 1 0 a

SELECTION GUIDELINES INDEX

TYPICAL PRODUCTS TO TRANSPORT WITH STAINLESS STEEL RUNNING CHAINS

CONVEYOR TYPE/CATEGORY		New or returnable glass bottle	Return PET	Crate	Kegs	Small vials (flacons)
A - PRESSURELESS COMBINER/ DECOMBINER, HIGH SPEED	7 2 0 1 2 a					
B - MASS CONVEYOR	7 2 0 1 2 a					
C - HEAVY DUTY APPLICATION	7 2 0 1 3 a					
D - INCLINED /DECLINED CONVEYOR	7 2 0 1 3 a					

TYPICAL PRODUCTS TO TRANSPORT WITH PLASTIC RUNNING CHAINS

CONVEYOR TYPE/CATEGORY		New glass or returnable glass bottle	Return PET	Crate	Kegs	Small vials (flacons)	Cans	Shrink-wrapped products	Box
A - PRESSURELESS COMBINER/ DECOMBINER, HIGH SPEED	7 2 0 1 5 a								
B - MASS CONVEYOR	7 2 0 1 5 a								
C - HEAVY DUTY APPLICATION	7 2 0 1 5 a								
D - INCLINED /DECLINED CONVEYOR	7 2 0 1 6 a								
E - ELEVATING AND LOWERING CONVEYOR (GRIPPER CHAIN)	7 2 0 1 6 a								

TYPICAL PRODUCTS TO TRANSPORT WITH PLASTIC RUNNING BELTS

CONVEYOR TYPE/CATEGORY		New glass or returnable glass bottle	Return pet or one-way PET	Cans	Kegs	Small vials (flacons)	Shrink-wrapped products	Box	Food and vegetables
A - PRESSURELESS COMBINER/ DECOMBINER, HIGH SPEED	7 2 0 1 9 a								
B - MASS CONVEYOR	7 2 0 2 0 a								
C - HEAVY DUTY APPLICATION	7 2 0 2 1 a								
D - INCLINED /DECLINED CONVEYOR	7 2 0 2 1 a								

INSPECTION AND MAINTENANCE 7 3 0 1 0 a

7 2 1 1 0 a CONSTRUCTION DETAILS

APPLICATIONS 7 2 5 1 0 a

7 3 5 1 0 a MATERIALS AND CALCULATIONS

7 2 0 3 0 a


Related information general index




Chains & sprockets	Wear strips	Side guide brackets & accessories	Levelers	Engineering manual
Modular belts & sprockets	Chain & belt return systems	Frame & structure supports	Bearing supports	
Curves & tracks	Side guide solutions	Miscellaneous products	Equipment	

7 2 0 1 2 a SELECTION GUIDELINES – STAINLESS STEEL CHAINS

◀ back continue ▶

	A - PRESSURELESS COMBINER/DECOMBINER, HIGH SPEED
RECOMMENDED CHAIN SERIES Best choice for high demanding application: high speed, instable product	1 1 0 2 0 a Straight • SPSL815 series with HB pin version 1 1 0 6 0 a Sideflexing • SPSL881 series with HB pin version
OPTIONAL CHAIN SERIES For less demanding applications	1 1 0 3 0 a Straight • SSE815 with HB pin version 1 1 0 6 0 a Sideflexing • SSE881MO with HB pin version
GENERAL RECOMMENDATIONS	<ul style="list-style-type: none"> Lubrication is recommended for all sections with SS chains. K330 width offers reduced gap between adjacent chains and improve product handling.

	B - MASS CONVEYOR
RECOMMENDED CHAIN SERIES	1 1 0 3 0 a Straight • SSL815/SSEL815/SSE815/SS812 with HB pin version 1 1 0 6 0 a Sideflexing • SS/SSL/SSE 881 series with HB pin version
OPTIONAL CHAIN SERIES	1 1 0 3 0 b Straight • S815 series
GENERAL RECOMMENDATIONS	<ul style="list-style-type: none"> Lubrication is recommended for all sections with SS chains. No lube with S815 series. K330 width offers reduced gap between adjacent chains and improve product handling.

Regardless the conveyor type, its working condition has an impact on the chain's service life. Please follow the below recommendation for these particular working condition.

1. Abrasive working conditions: use chain series with HB pin version and keep the conveyor as clean as possible (frequent cleaning regime);
2. Corrosive working conditions: use chain made of Austenitic Stainless Steel (SSA material);

In case you need support for such application please contact our technical support team at technicalsupport@systemplast.com

INSPECTION AND MAINTENANCE 7 3 0 1 0 a

7 2 1 1 0 a **CONSTRUCTION DETAILS**

APPLICATIONS 7 2 5 1 0 a

7 3 5 1 0 a **MATERIALS AND CALCULATIONS**



7 2 0 1 0 a **Selection guidelines index**

7 2 0 1 3 a **C - Heavy duty application**

7 2 0 3 0 a **Related information general index**


7 2 0 1 3 a **D -Inclined /declined conveyor**




Chains & sprockets	Wear strips	Side guide brackets & accessories	Levelers	Engineering manual
Modular belts & sprockets	Chain & belt return systems	Frame & structure supports	Bearing supports	
Curves & tracks	Side guide solutions	Miscellaneous products	Equipment	

7 2 0 1 3 a SELECTION GUIDELINES – STAINLESS STEEL CHAINS

◀ back continue ▶

	C - HEAVY DUTY APPLICATION
RECOMMENDED CHAIN SERIES	<p>1 1 1 2 0 a Straight • 802 and 805 series (very high strength)</p> <p>1 1 1 0 0 a Straight • 8157 series (high strength)</p> <p>1 1 1 1 0 a Sideflexing • 8857 series</p>
OPTIONAL CHAIN SERIES	<p>1 1 0 3 0 b Straight • S815-K750</p>
GENERAL RECOMMENDATIONS	<ul style="list-style-type: none"> Lubrication is recommended for all sections with SS chains or lube with anti corrosion for S815 series.

	D - INCLINED /DECLINED CONVEYOR
RECOMMENDED CHAIN SERIES	<p>1 1 1 5 0 a Straight • 815 VG</p> <p>1 1 1 6 0 a Straight • 881 VG</p> <p>1 1 1 8 0 a Straight • 805 VG</p> <p>1 1 1 6 0 a 1 1 1 8 0 a Straight • 8857 VG and 8157 VG</p> <p>1 1 1 5 0 a Straight • 814 VG</p>
GENERAL RECOMMENDATIONS	<ul style="list-style-type: none"> Lube only on the bottom side for all VG SS chains.

Regardless the conveyor type, its working condition has an impact on the chain's service life. Please follow the below recommendation for these particular working condition.

1. Abrasive working conditions: use chain series with HB pin version and keep the conveyor as clean as possible (frequent cleaning regime);
2. Corrosive working conditions: use chain made of Austenitic Stainless Steel (SSA material);

In case you need support for such application please contact our technical support team at technicalsupport@systemplast.com

INSPECTION AND MAINTENANCE 7 3 0 1 0 a

7 2 1 1 0 a **CONSTRUCTION DETAILS**

APPLICATIONS 7 2 5 1 0 a

7 3 5 1 0 a **MATERIALS AND CALCULATIONS**



7 2 0 1 0 a Selection guidelines index

7 2 0 1 2 a A - Pressureless combiner/decombiner, high speed

7 2 0 3 0 a Related information general index

7 2 0 1 2 a B - Mass conveyor





Chains & sprockets	Wear strips	Side guide brackets & accessories	Levelers	Engineering manual
Modular belts & sprockets	Chain & belt return systems	Frame & structure supports	Bearing supports	
Curves & tracks	Side guide solutions	Miscellaneous products	Equipment	


7 2 0 1 5 a

SELECTION GUIDELINES – PLASTIC CHAINS

◀ back continue ▶

	A - PRESSURELESS COMBINER/DECOMBINER, HIGH SPEED
RECOMMENDED CHAIN SERIES Best choice for high demanding application: high speed, instable product	<p>1 1 2 1 0 a Straight • 828 series</p> <p>1 1 2 2 0 a Sideflexing • 880 series</p>
OPTIONAL CHAIN SERIES For less demanding applications	<p>1 1 1 9 0 a Straight • 820/831 series</p> <p>1 1 2 4 0 a Sideflexing • 879 series</p>
GENERAL RECOMMENDATIONS	<ul style="list-style-type: none"> • K330 width offers reduced gap between adjacent chains and improved product stability, particularly in side-transferring sections. • NG®evo conveyor components made from engineered plastic resin is recommended for abrasive conditions as well as for high speed.

	B - MASS CONVEYOR
RECOMMENDED CHAIN SERIES	<p>1 1 1 9 0 a Straight • 820/831/828 series</p> <p>1 1 2 2 0 a Sideflexing • 880 series</p>
GENERAL RECOMMENDATIONS	<ul style="list-style-type: none"> • K330 width offers reduced gap between adjacent chains and improved product stability, particularly in side-transferring sections. • NG®evo conveyor components made from engineered plastic resin is recommended for abrasive conditions. • LF material for standard conditions.

	C - HEAVY DUTY APPLICATION
RECOMMENDED CHAIN SERIES	<p>1 1 3 1 0 a Straight • 8257</p> <p>1 1 4 6 0 a Straight • Plate top chain 843-845; 863; 1843; 1873; 1863</p> <p>1 1 2 8 0 a Sideflexing • 882</p> <p>1 1 4 7 0 a Sideflexing • Plate top chain 1843; 1873; 1863</p>
OPTIONAL CHAIN SERIES For less demanding application	1 1 3 2 0 a Straight • 821
GENERAL RECOMMENDATIONS	<ul style="list-style-type: none"> • Lubrication is recommended for ANSI roller chain. • K330 width offers reduced gap between adjacent chains and improved product stability, particularly in side-transferring sections. • NG®evo conveyor components made from engineered plastic resin is recommended for abrasive conditions. • LF material for standard conditions. • Plate top chains are good choice for application with high start-up frequency.

INSPECTION AND MAINTENANCE 7 3 0 1 0 a

7 2 1 1 0 a **CONSTRUCTION DETAILS**

APPLICATIONS 7 2 5 1 0 a

7 3 5 1 0 a **MATERIALS AND CALCULATIONS**



7 2 0 1 0 a **Selection guidelines index**

7 2 0 1 6 a **D - Inclined /declined conveyor**

7 2 0 3 0 a **Related information general index**

7 2 0 1 6 a **E - Elevating and lowering conveyor (gripper chain)**

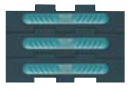



Chains & sprockets	Wear strips	Side guide brackets & accessories	Levelers	Engineering manual
Modular belts & sprockets	Chain & belt return systems	Frame & structure supports	Bearing supports	
Curves & tracks	Side guide solutions	Miscellaneous products	Equipment	

7 2 0 1 6 a

SELECTION GUIDELINES – PLASTIC CHAINS

◀ back continue ▶

	D - INCLINED/DECLINED CONVEYOR
RECOMMENDED CHAIN SERIES	<p>1 1 3 8 0 a Straight • 831 VG</p> <p>1 1 4 1 0 a Straight • 821 VG and 8257 VG</p> <p>1 1 3 9 0 a Sideflexing • 878 VG and 879 VG</p> <p>1 1 4 0 0 a Sideflexing • 882 VG</p> <p>1 1 4 2 0 a Sideflexing • Plate top chain 1873 VG</p>
GENERAL RECOMMENDATIONS	<ul style="list-style-type: none"> • Plate top chains are good choice for application with high start-up frequency. • Lubrication is recommended for ANSI roller chain.

	E - ELEVATING AND LOWERING CONVEYOR (GRIPPER CHAIN)
RECOMMENDED CHAIN SERIES	<p>1 1 4 3 0 a • 878 GS</p> <p>1 1 4 4 0 a • Plate top chain 1873 GS</p>
GENERAL RECOMMENDATIONS	<ul style="list-style-type: none"> • Lubrication is recommended for all sections with roller chain. • Keep conveyor as clean as possible. Frequent cleaning regime increases chains' service life. • Nolu®-S curve • Please be careful while selecting the rubber material of gripper chains. Check chemical compatibility charts at page 7 3 5 8 6 a

INSPECTION AND MAINTENANCE **7 3 0 1 0 a**

7 2 1 1 0 a **CONSTRUCTION DETAILS**

APPLICATIONS **7 2 5 1 0 a**

7 3 5 1 0 a **MATERIALS AND CALCULATIONS**



7 2 0 1 0 a Selection guidelines index

7 2 0 1 5 a A - Pressureless combiner/decombiner, high speed


7 2 0 3 0 a Related information general index

7 2 0 1 5 a B - Mass conveyor

7 2 0 1 5 a C - Heavy duty application



Chains & sprockets	Wear strips	Side guide brackets & accessories	Levelers	Engineering manual
Modular belts & sprockets	Chain & belt return systems	Frame & structure supports	Bearing supports	
Curves & tracks	Side guide solutions	Miscellaneous products	Equipment	

	<p>A - PRESSURELESS COMBINER/DECOMBINER, HIGH SPEED</p>
<p>RECOMMENDED CHAIN SERIES: Best choice for high demanding application: high speed, high load. Suitable belt series to be selected according to the type of product.</p>	<p>Straight</p> <ul style="list-style-type: none"> 3 0 0 6 0 b • Series 2120 (width 85mm): 0.5" pitch, thickness 8.5 mm; mostly with positioners 3 0 0 3 0 b • Series 2121 (single track): 0.5" pitch, thickness 8.5 mm; mostly with positioners 3 0 2 0 0 a • Series 2190 (single track): 0.75" pitch, thickness 8.5 mm; mostly with positioners 3 0 3 1 0 a • Series 2250 (single track): 1" pitch, thickness 8.5 mm; mostly with positioners 3 0 4 5 0 b • Series 2251 (width 85mm): 1" pitch, thickness 12.7 mm; mostly with positioners 3 0 4 2 0 a • Series 2252 (single track): 1" pitch, thickness 12.7 mm; mostly with positioners <p>Sideflexing</p> <ul style="list-style-type: none"> 3 0 7 2 0 a • Series 2120M-K330 (width 83.8 mm): 0.5" pitch, thickness 8.5 mm; 3 0 7 1 0 a • Series 2250 TAB-K330/K450 (width 83.8 and 114.3 mm): 1" pitch, thickness 8.5 mm; 3 0 7 0 0 a • Series 2260M-K330 (width 83.8): 1" pitch, thickness 8.5 mm; 3 0 7 0 0 a • Series 2251M-K330/K450 (width 83.8 and 114.3 mm): 1" pitch, thickness 12.7 mm; 3 0 7 1 0 a • Series 2251 TAB-K330/K450 (width 83.8 and 114.3 mm): 1" pitch, thickness 12.7 mm;
<p>GENERAL RECOMMENDATIONS</p>	<ul style="list-style-type: none"> • K330 width offers reduced gap between adjacent chains and improve product stability, particularly in side-transferring sections. • NG®evo conveyor components made from engineered plastic resin is recommended for abrasive conditions as well as for high speed and/or high load.

INSPECTION AND MAINTENANCE **7 3 0 1 0 a**

7 2 1 1 0 a CONSTRUCTION DETAILS

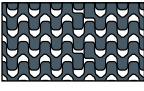
APPLICATIONS **7 2 5 1 0 a**

7 3 5 1 0 a MATERIALS AND CALCULATIONS

7 2 0 1 0 a Selection guidelines index
7 2 0 3 0 a Related information general index

7 2 0 2 0 a B - Mass conveyor
7 2 0 2 1 a C - Heavy duty application
7 2 0 2 1 a D - Inclined/declined conveyor

Chains & sprockets	Wear strips	Side guide brackets & accessories	Levelers	Engineering manual
Modular belts & sprockets	Chain & belt return systems	Frame & structure supports	Bearing supports	
Curves & tracks	Side guide solutions	Miscellaneous products	Equipment	

	B - MASS CONVEYOR
<p>RECOMMENDED CHAIN SERIES Suitable belt series to be selected according to the kind of product.</p>	<p>Straight</p> <ul style="list-style-type: none"> 3 0 0 5 0 a • Series 2120: 0.5" pitch, thickness 8.5 mm; 3 0 0 5 5 a • Series 2121: 0.5" pitch, thickness 8.5 mm; 3 0 2 1 0 a • Series 2190: 0.75" pitch, thickness 8.5 mm; 3 0 3 2 5 a • Series 2250: 1" pitch, thickness 8.5 mm; 3 0 4 4 0 a • Series 2251: 1" pitch, thickness 12.7 mm; 3 0 4 4 5 a • Series 2252: 1" pitch, thickness 12.7 mm; <p>Sideflexing</p> <ul style="list-style-type: none"> 3 0 7 2 0 a • Series 2120M: 0.5" pitch, thickness 8.5 mm; 3 0 7 1 0 a • Series 2250 TAB: 1" pitch, thickness 8.5 mm; 3 0 7 0 0 a • Series 2260M: 1" pitch, thickness 8.5 mm; 3 0 7 0 0 a • Series 2251M: 1" pitch, thickness 12.7 mm; 3 0 7 1 0 a • Series 2251 TAB: 1" pitch, thickness 12.7 mm;
<p>GENERAL RECOMMENDATIONS</p>	<ul style="list-style-type: none"> • K330 width offers reduced gap between adjacent chains and improve product stability, particularly in side-transferring sections. Ensure the pitch between lanes will allow for the wider modules • NG[®]evo conveyor components made from engineered plastic resin is recommended for abrasive conditions. • LF material for standard conditions.

INSPECTION AND MAINTENANCE **7 3 0 1 0 a**

7 2 1 1 0 a CONSTRUCTION DETAILS

APPLICATIONS **7 2 5 1 0 a**

7 3 5 1 0 a MATERIALS AND CALCULATIONS

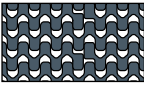


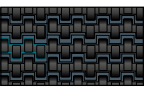
7 2 0 1 0 a Selection guidelines index
7 2 0 3 0 a Related information general index

7 2 0 1 9 a A - Pressureless combiner/decombiner, high speed
7 2 0 2 1 a C - Heavy duty application
7 2 0 2 1 a D - Inclined/declined conveyor



Chains & sprockets	Wear strips	Side guide brackets & accessories	Levelers	Engineering manual
Modular belts & sprockets	Chain & belt return systems	Frame & structure supports	Bearing supports	
Curves & tracks	Side guide solutions	Miscellaneous products	Equipment	

	C - HEAVY DUTY APPLICATION
<p>RECOMMENDED CHAIN SERIES: Best choice for high demanding application: high speed, high load. Suitable belt series to be selected according to the kind of product.</p>	<p>Straight</p> <p>3 0 4 4 0 a • Series 2251: 1" pitch, thickness 12.7 mm; 3 0 4 4 5 a • Series 2252: 1" pitch, thickness 12.7 mm; 3 0 6 1 0 a • Series 2500: 2" pitch, thickness 16 mm (1) 3 0 6 2 0 a • Series 2508: 2" pitch, thickness 22 mm (2) 3 0 6 4 5 a • Series 2630: 2.5" pitch, thickness 30 mm (2)</p> <p>Sideflexing</p> <p>3 0 7 1 0 a • Series 2251 TAB/M: 1" pitch, thickness 12.7 mm 3 0 7 3 0 a • Series 2256: 1" pitch, thickness 12.7 mm 3 0 7 4 5 a • Series 2351 / 2451 / 2251 / 2651: 1.25", thickness 12.7 mm</p>
GENERAL RECOMMENDATIONS	<ul style="list-style-type: none"> • K330 width offers reduced gap between adjacent chains and improve product stability, particularly in side-transferring sections. Ensure the pitch between lanes will allow for the wider modules • NG[®]evo conveyor components made from engineered plastic resin is recommended for abrasive conditions. It also has a reduced Coefficient of Friction • LF material for standard conditions. • (1): mostly used in pasteurizer machine; • (2): mostly used for automotive applications

	D - INCLINED /DECLINED CONVEYOR
<p>RECOMMENDED CHAIN SERIES: Best choice for high demanding application: high speed, high load. Suitable belt series to be selected according to the kind of product.</p>	<p>Straight</p> <p>3 0 1 0 0 a • Series 2120 VG 3 0 3 7 0 a • Series 2250 VG 3 0 4 9 0 a • Series 2251 VG 3 0 3 6 5 a • Series 2250FT or FG with Pusher Flights for steep incline, bulk flow applications</p> <p>Sideflexing</p> <p>3 0 7 3 5 a • Series 2256 VG for inclined / declined conveyor with curves 3 0 7 5 5 a • Series 2351 VG for inclined / declined conveyor with curves</p>
GENERAL RECOMMENDATIONS	<ul style="list-style-type: none"> • NG[®]evo conveyor components made from engineered plastic resin is recommended for abrasive conditions. • Side indent of the friction-top surface can be used to carry the modular belt in the return sections, or as a hold-down location for horizontal to incline transition sections • VG flights can be staggered / spaced to reduce costs and affect product handling • LF material for standard conditions.



Chains & sprockets	Wear strips	Side guide brackets & accessories	Levelers	Engineering manual
Modular belts & sprockets	Chain & belt return systems	Frame & structure supports	Bearing supports	
Curves & tracks	Side guide solutions	Miscellaneous products	Equipment	

7 2 0 3 0 a

RELATED INFORMATION GENERAL INDEX

INTERNATIONAL METRIC

CONSTRUCTION DETAILS

Chapters and subchapters complete section index ... 72110a

- Conveyor length and speed **72115a**
- Sprocket position for belt **72120a**
- Matching sprocket sizes chainsbelts running sideside..... **72130a**
- Sprocket keyway dimensions **72132a**
- Curve systems **72134a**
- Construction recommendations **72140a**
- Transfers..... **72162a**
- Wearstrips **72195a**
- Powerflex™ belt..... **72220a**
- 2256 Sideflexing belts..... **72260a**
- 2253RTC Roller Top belt..... **72290a**
- 2500RR raised rib belt **72310a**
- 2508-2630 heavy duty belts..... **72330a**
- 2080FT micropitch belt **72350a**
- 2502DT draining top belt..... **72356a**
- Conveyor components - Speedset™ brackets **72360a**

APPLICATIONS

Chapters and subchapters complete section index ... 72510a

- Extra curves..... **72515a**
- Self cleaning curves..... **72515b**
- Crate conveying **72520a**
- Gripper chains & selection of gripper version **72532a**
- Noise reduction..... **72536a**
- Inclined and declined conveyors **72540a**
- LBP Accumulation..... **72546a**
- Roller side guides **72552a**
- Pressureless combiners **72558a**
- Dry lubrication..... **72564a**
- Dry run considerations..... **72575a**
- Speedset™ brackets..... **72590a**
- Sideflexing belts..... **72595a**
- 2250 - Flight version **72615a**
- 2253RTC - Roller Top version **72625a**

INSPECTION AND MAINTENANCE

Chapters and subchapters complete section index ... 73010a

- Parameters affecting service life..... **73015a**
- Cleaning and maintenance..... **73017a**
- 2500RR cleaning instructions **73021a**
- Inspection procedure and replacement criteria **73023a**
- Mounting and removal of belt..... **73030a**
- Powerflex™ belt assembly instructions **73041a**
- 2253RT assembly instructions..... **73043a**
- Installation procedure **73045a**
- Installation of curves..... **73047a**
- Bearing mounting instructions..... **73052a**
- How to identify a curve..... **73058a**
- Troubleshooting..... **73062a**

CALCULATIONS AND MATERIALS

Chapters and subchapters complete section index ... 73510a

- Product handling **73515a**
- Pressure of accumulation products **73522a**
- 90° Product transfer with belts **73524a**
- Thermal expansion **73526a**
- Raised rib belt 2500 **73528a**
- 2253RTC Calculations..... **73533a**
- Bearing..... **73542a**
- Materials **73560a**
- Storage of plastic chains and belts and RoHs..... **73576a**
- Disposal of products..... **73577a**
- Coefficients of friction of standard materials..... **73578a**
- Coefficient of friction - Measurement procedure..... **73580a**
- Coefficient of friction - Good measurement practice... **73581a**
- Chemical resistance of standard materials..... **73586a**
- Application temperatures..... **73588a**
- NG[®]evo conveyor components made from engineered plastic resin..... **73700a**

INSPECTION AND MAINTENANCE 7 3 0 1 0 a

7 2 1 1 0 a CONSTRUCTION DETAILS

APPLICATIONS 7 2 5 1 0 a

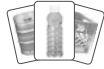
7 3 5 1 0 a MATERIALS AND CALCULATIONS



7 2 0 1 0 a

Selection guidelines index

Chains & sprockets	Wear strips	Side guide brackets & accessories	Levelers	Engineering manual
Modular belts & sprockets	Chain & belt return systems	Frame & structure supports	Bearing supports	
Curves & tracks	Side guide solutions	Miscellaneous products	Equipment	



7 2 1 1 0 a

CONSTRUCTIONS DETAILS INDEX
INTERNATIONAL METRIC

CONSTRUCTION DETAILS

- Conveyor length and speed
 - Stainless steel chains **72115a**
 - Plastic chains and belts **72117a**
- Sprocket position for belt
 - 2120, 2250, 2251 series **72120a**
 - 2080, 2121, 2190, 2252, 2253 series **72121a**
 - 2120 flush grid **72122a**
 - 2122 flush grid **72123a**
 - 2256, 2190 flush grid **72124a**
 - 2121, 2124, 2080 series **72125a**
 - 2508, 2630 series **72126a**
 - 2500 raised rib **72127a**
 - Special cut to width belts **72128a**
- Matching sprocket sizes chainsbelts running sideside **72130a**
- Sprocket keyway dimensions **72132a**
- Curve systems
 - Curve systems for chains **72134a**
 - Curve systems for belts **72136a**
 - Load on curves **72138a**
- Construction recommendations
 - Drive construction **72140a**
 - Catenary sag **72140b**
 - Tensioner **72142a**
 - Return part construction of chains **72144a**
 - Return part construction of belts **72146a**
 - Return rollers **72148a**
 - Guide shoe **72153a**
 - Wearstrips serpentine system **72155a**
- Transfers
 - Side transfer **72162a**
 - 90° Transfer **72164a**
 - Active transfer wing **72168a**
 - Options for positioners **72170a**
 - Head to tail transfers with roller modules **72172a**
 - Roller transfer plates K330 and K450 for chains **72173a**
 - Roller transfer plates K660 and K900 for chains **72175a**
 - Roller transfer plates K330 and K450 for belts **72179a**
 - Roller transfer plates K600 and K900 for belts **72181a**
 - Nosebar transfer **72184a**
 - 2120 silent nosebar **72190a**

- Wearstrips
 - Chain's wearstrips **72195a**
 - Belt's wearstrips **72205a**
 - Wearstrips for chains/belts with different thickness **72215a**
 - Selection of wearstrip material **72217a**
- Powerflex™
 - Powerflex belts overview **72220a**
 - Design guidelines **72222a**
 - Curves **72230a**
 - 2351 sprocket position **72240a**
 - 2451 sprocket position **72242a**
 - 2451 sprocket position **72244a**
 - 2651 sprocket position **72246a**
 - Sprocket installation **72248a**
- 2256 Sideflexing belts
 - 2256 Sideflexing belts overview **72260a**
 - Construction details **72263a**
- 2253RTC roller top belt
 - 2253RTC roller top belt overview **72290a**
 - Construction details **72292a**
- 2500RR raised rib belt
 - 2500RR raised rib belt overview **72310a**
 - PT/PTA positioners for 2500RR belt **72312a**
 - 2500RR construction guidelines **72314a**
- 2508-2630 heavy duty belts
 - 2508 heavy duty belts overview **72330a**
 - 2630 heavy duty belts overview **72332a**
 - 2508 and 2630 belts features **72334a**
 - 2508 and 2630 belts materials **72336a**
 - 2508 and 2630 belts selection guideline **72338a**
- 2080FT micropitch belt
 - 2080FT micropitch belt overview **72350a**
 - 2080FT sprockets **72352a**
 - 2080FT nose bar **72354a**
- 2502DT draining top belt
 - 2502DT draining top belt overview **72356a**
 - Sprockets position **72357a**
 - Mounting and dismantling instructions **72358a**
- Conveyor components
 - Speedset™ bracket **72360a**





Chains & sprockets	Wear strips	Side guide brackets & accessories	Levelers	Engineering manual
Modular belts & sprockets	Chain & belt return systems	Frame & structure supports	Bearing supports	
Curves & tracks	Side guide solutions	Miscellaneous products	Equipment	

7 2 1 1 5 a

STAINLESS STEEL CHAINS CONVEYOR LENGTH AND SPEED

MAXIMUM CONVEYOR LENGTH DEPENDS ON

- Chain/belt type
- Wearstrips material
- Return system
- Configuration (curves, inclines, etc.)
- Lubrication
- Product material
- Load on conveyor / accumulation
- Speed
- Environmental factors (such as temperature, contamination, humidity etc.).

TYPE	MAX. RECOMMENDED LENGTH [m]	MAX. RECOMMENDED LENGTH [ft]
Stainless steel, straight	Approx. 15	Approx. 50
Stainless steel, sideflexing	Approx. 9 - 12	Approx. 30 - 40

These are general guidelines to optimize chain performance and reduce product handling issues.

It is recommended to double check the conveyor length by calculating the resulting chain pull.

Our System Plast Engineering Calculator, SPEC® software, is available at <http://spec.systemplast.com> to provide support with these calculations.

A phenomenon called the **slip stick effect** occurs unpredictably. It occurs in long conveyors as the friction and drag stretches the chain/belt. Once enough belt/chain pull accumulates the tension will cause the belt/chain to spring forward. It depends on speed/length ratio, load, construction and lubrication. Pulsating dynamic forces are the result and affect the service life of all components of a conveyor. More importantly it influences product handling in a negative way especially with unstable products.

If unsure of the best solution for your application, consult our technical support.

MAXIMUM SPEED

TYPE	LUBRICATION		LUBRICATION	
	DRY	WATER AND SOAP	DRY	WATER AND SOAP
Straight stainless-steel chain series 815, 812, 814, 800, 802, 805, 8157 and 515	Not recommended	130 m/min	Not recommended	430 ft/min
Sideflexing stainless steel chain series 881, 881 TAB, 881M and 8857	Not recommended	130 m/min	Not recommended	430 ft/min
Sideflexing plate top chain series 1874, 1874 GV	100 m/min with lube on roller chain		330 ft/min with lube on roller chain	

Maximum speed is of course depending on further application details.

Under abrasive or high load conditions the maximum speed is reduced.

High speed in combination with short conveyor yields a high speed to length ratio, causing high wear rate and chain/belt elongation (i.e service life reduction).

For more wear-resistant materials see the materials section at page **7 3 5 6 0 a** or contact our technical support.

It is important to check if the combination of load and speed, also known as pressure and velocity or the "PV-value", is acceptable for the selected applications in curves.

Our System Plast Engineering Calculator, SPEC® software, is available at <http://spec.systemplast.com> to provide support with these calculations.

For more detailed support above 80 m/min (260 ft/min) please contact our technical support.



CONSTRUCTION DETAILS - General index **7 2 1 1 0 a** -

7 2 1 1 7 a Conveyor length and speed plastic chains and belts

7 2 1 3 4 a Curve system - Chains

7 2 1 3 8 a Load on curves

7 2 1 4 0 a Construction recommendations

7 2 1 4 4 a Return part construction - Chains

7 2 1 4 8 a Rotating rollers, guide shoes, wearstrips "serpentine system"

7 2 1 6 2 a Transfer

7 2 1 7 2 a Head to tail with roller modules- Chians

7 2 1 9 5 a Wearstrips - Chains





Chains & sprockets	Wear strips	Side guide brackets & accessories	Levelers	Engineering manual
Modular belts & sprockets	Chain & belt return systems	Frame & structure supports	Bearing supports	
Curves & tracks	Side guide solutions	Miscellaneous products	Equipment	

7 2 1 1 7 a

PLASTIC CHAINS AND BELTS

CONVEYOR LENGTH AND SPEED

MAXIMUM CONVEYOR LENGTH DEPENDS ON

- Chain/belt type
- Wearstrips material
- Return system
- Configuration (curves, inclines, etc.)
- Lubrication
- Product material
- Load on conveyor / accumulation
- Speed
- Environmental factors (such as temperature, contamination, humidity etc.).

TYPE	MAX. RECOMMENDED LENGTH [m]	MAX. RECOMMENDED LENGTH [ft]
Plastic chains/belts, straight (*)	Approx. 12	Approx. 40
Plastic chains/belts, sideflexing	Approx. 9 - 12	Approx. 30 - 40
Plate top	Approx. 15	Approx. 50

These are general guidelines to optimize chain performance and reduce product handling issues.

It is recommended to double check the conveyor length by calculating the resulting chain pull.

Our System Plast Engineering Calculator, SPEC® software, is available at <http://spec.systemplast.com> to provide support with these calculations.

A phenomenon called the **slip stick effect** occurs unpredictably. It occurs in long conveyors as the friction and drag stretches the chain/belt. Once enough belt/chain pull accumulates the tension will cause the belt/chain to spring forward. It depends on speed/length ratio, load, construction and lubrication. Pulsating dynamic forces are the result and affect the service life of all components of a conveyor. More importantly it influences product handling in a negative way especially with unstable products.

If unsure of the best solution for your application, consult our technical support.

(*) Conveyor with micropitch belt 2080FT should have a maximum length of 2 m for an acceptable service life.

MAXIMUM RECOMMENDED SPEED

TYPE	LUBRICATION		LUBRICATION	
	DRY	WATER AND SOAP	DRY	WATER AND SOAP
Plastic chains series 820, 820P, 831, 828, 8257, 821 and SK38 Straight plastic belts 2120, 2121, 2190, 2250, 2251, 2252	80 m/min	150 m/min	260 ft/min	500 ft/min
Plastic chains series 877, 878, 879, 880, 8800P, 882 Sideflexing plastic belts 2250M, 2250TAB, 2260M, 2251M, 2251TAB Crate conveyor chains	50 m/min	130 m/min	160 ft/min	430 ft/min
Sideflexing plastic belts 2120M	100 m/min	130 m/min	330 ft/min	430 ft/min
Straight plate top chains series 843, 845, 863 Sideflexing plate top chains series 1843 TAB, 1873 TAB, 1863 TAB, 1873 TAB VG, 1873 TAB GS	100 m/min with lube on roller chain		330 ft/min with lube on roller chain	

Maximum speed is of course depending on further application details.

Under abrasive or high load conditions the maximum speed is reduced.

High speed in combination with short conveyor yields a high speed to length ratio, causing high wear rate and chain/belt elongation (i.e. service life reduction).

For more wear-resistant materials see the materials section at **7 3 5 6 0 a** or contact our technical support.

It is important to check if the combination of load and speed, also known as pressure and velocity or the "PV-value"; is acceptable for the selected applications in curves. Our System Plast Engineering Calculator, SPEC® software, is available at <http://spec.systemplast.com> to provide support with these calculations.

For more detailed support above 80 m/min (260 ft/min) please contact our technical support.



CONSTRUCTION DETAILS - General index **7 2 1 1 0 a** -

7 2 1 1 5 a Conveyor length and speed stainless steel chains

7 2 1 2 0 a Sprocket position for belts

7 2 1 3 6 a Curve System - Belt

7 2 1 4 0 a Construction recommendations

7 2 1 4 6 a Return part construction - Belts

7 2 1 4 8 a Rotating rollers, guide shoes, wearstrips "serpentine system"

7 2 1 6 2 a Transfer

7 2 1 7 2 a Head to tail transfer with roller modules - Belts

7 2 1 9 5 a Wearstrips - Belts



Chains & sprockets	Wear strips	Side guide brackets & accessories	Levelers	Engineering manual
Modular belts & sprockets	Chain & belt return systems	Frame & structure supports	Bearing supports	
Curves & tracks	Side guide solutions	Miscellaneous products	Equipment	

7 2 1 2 0 a

**2120, 2250, 2251 SERIES
SPROCKET POSITION FOR BELTS**

Here following sprockets position along the shaft drive and table with A and B value for each belts series.



continue ▶

**SERIES 2120 FLAT TOP, RUBBER TOP, LBP AND GUIDE BAR
2250 FLAT TOP, FLUSH GRID, RUBBER TOP, FLIGHT
2251 FLAT TOP, RUBBER TOP AND LBP (METRIC MODULE VERSION)**

BELT SERIES AND VERSIONS	A (mm)	B (mm)	RECOMMENDED NUMBER OF SPROCKETS/IDLER WHEELS ACCORDING TO BELT WIDTH
<ul style="list-style-type: none"> • 2120 flat top, rubber inserts, LBP and guide bar • 2250 flat top, flush grid, rubber insert, flight • 2251 flat top, rubber insert and LBP 	85 (3.35")	42.5 (1.67")	Number of sprockets/Idlers = belt width (mm)/ 85 mm; example: belt width 340 mm; Required number of sprocket: 340 / 85 = 4 For the sprocket's positioning of special cut-to-width belt, please refer to 7 2 1 2 8 a

For sprockets 2120.
Go to product page:

3 0 1 6 0 a

For sprockets 2250.
Go to product page:

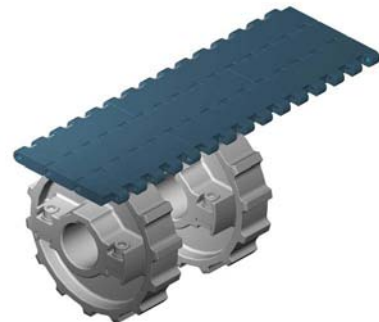
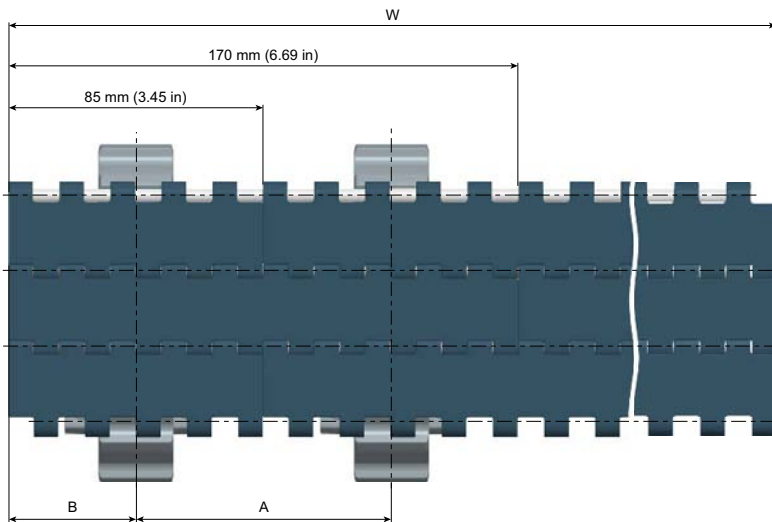
3 0 3 9 5 a

For sprockets 2251.
Go to product page:

3 0 5 5 0 a

NOMINAL BELT WIDTH		RECOMMENDED NUMBER OF SPROCKETS/IDLER WHEELS
SERIES 2120, 2250, 2251		
mm	in	
85	3.35	1
170	6.69	2
255	10.04	3
340	13.39	4
425	16.73	5
510	20.08	6
595	23.43	7
680	26.77	8
765	30.12	9
850	33.46	10
935	36.81	11

NOMINAL BELT WIDTH		RECOMMENDED NUMBER OF SPROCKETS/IDLER WHEELS
SERIES 2120, 2250, 2251		
mm	in	
1020	40.16	12
1105	43.50	13
1190	46.85	14
1275	50.20	15
1360	53.54	16
1445	56.89	17
1530	60.24	18
1615	63.58	19
1700	66.93	20
etc.		



Note: Regal recommends the full complement of sprockets be used to maximize belt strength and wear life. Fewer sprockets can be an option for lightly-loaded or short conveyor applications. Consult our technical support for additional information.

CONSTRUCTION DETAILS - General index 7 2 1 1 0 a -

continue ▶

7 2 1 1 7 a Conveyor length and speed plastic chains and belts

7 2 1 4 0 a Construction recommendations

7 2 1 6 2 a Transfer

7 2 1 3 0 a Matching sprockets sizes for chains and belts running side by side

7 2 1 4 6 a Return part construction - Belts

7 2 1 7 2 a Head to tail transfer with roller modules - Belts

7 2 1 3 2 a Sprocket keyway dimensions

7 2 1 4 8 a Rotating rollers, guide shoes, wearstrips "serpentine system"

7 2 1 9 5 a Wearstrips - Belts



Chains & sprockets	Wear strips	Side guide brackets & accessories	Levelers	Engineering manual
Modular belts & sprockets	Chain & belt return systems	Frame & structure supports	Bearing supports	
Curves & tracks	Side guide solutions	Miscellaneous products	Equipment	

7 2 1 2 1 a

2080, 2121, 2190, 2252, 2253 SERIES

SPROCKET POSITION FOR BELTS

**SERIES 2080 FLAT TOP, 2121 FLAT TOP, 2190 FLAT TOP, 2252 FLAT TOP AND PERFORATED TOP
2253 FLAT TOP (IMPERIAL MODULE VERSION) AND FT VACUUM
2253 ROLLER TOP (IMPERIAL MODULE VERSION)**



◀ back continue ▶

BELT SERIES AND VERSIONS	A (in)	B (in)	RECOMMENDED NUMBER OF SPROCKETS/IDLER WHEELS ACCORDING TO BELT WIDTH
<ul style="list-style-type: none"> 2080 flat top 2121 flat top 2190 flat top 2252 flat top and perforated top 2253 flat top, FT vacuum 	3 (76.2 mm)	1.5 (38.1 mm)	Number of sprockets/Idlers = belt width (in)/ 3 in; Example: belt width 39 in (990.6 mm); Required number of sprocket: 39 / 3 = 13 For the sprocket's positioning of special cut-to-width belt, please refer to 7 2 1 1 2 8 a
<ul style="list-style-type: none"> 2253 roller top 	3 (76.2 mm)	1 (25.4 mm)	Other arrangement of sprockets position are possible prior checking the suitable pocket. Pocket located where the modules meet are not suitable for sprocket positioning. * See picture.

For sprockets 2121.
Go to product page:
3 0 1 6 0 a

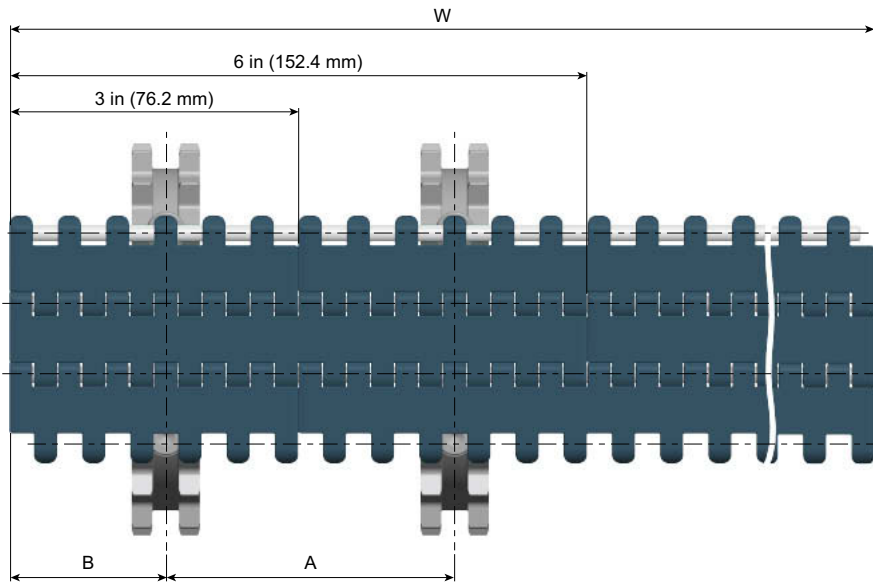
For sprockets 2252.
Go to product page:
3 0 5 5 0 a

For sprockets 2253.
Go to product page:
3 0 3 9 5 a

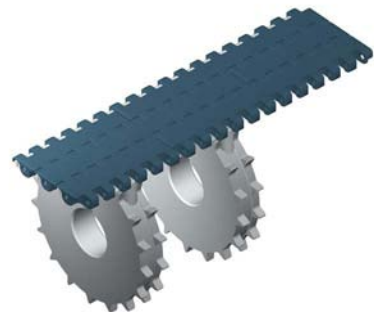
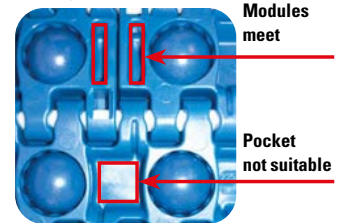
For sprockets 2190.
Go to product page:
3 0 2 3 5 a

NOMINAL BELT WIDTH		RECOMMENDED NUMBER OF SPROCKETS/IDLER WHEELS
SERIES 2080, 2121, 2190, 2252, 2253		
mm	in	
76,2	3	1
152,4	6	2
228,6	9	3
304,8	12	4
381,0	15	5
457,2	18	6
533,4	21	7

NOMINAL BELT WIDTH		RECOMMENDED NUMBER OF SPROCKETS/IDLER WHEELS
SERIES 2080, 2121, 2190, 2252, 2253		
mm	in	
609,6	24	8
685,8	27	9
762,0	30	10
838,2	33	11
914,4	36	12
990,6	39	13
1066,8	42	14



* See picture.



Note: Regal recommends the full complement of sprockets be used to maximize belt strength and wear life. Fewer sprockets can be an option for lightly-loaded or short conveyor applications. Consult our technical support for additional information.

◀ back continue ▶

CONSTRUCTION DETAILS - General index 7 2 1 1 0 a -

7 2 1 1 7 a Conveyor length and speed plastic chains and belts

7 2 1 4 0 a Construction recommendations

7 2 1 6 2 a Transfer

7 2 1 3 0 a Matching sprockets sizes for chains and belts running side by side

7 2 1 4 6 a Return part construction - Belts

7 2 1 7 2 a Head to tail transfer with roller modules - Belts

7 2 1 3 2 a Sprocket keyway dimensions

7 2 1 4 8 a Rotating rollers, guide shoes, wearstrips "serpentine system"

7 2 1 9 5 a Wearstrips - Belts



Chains & sprockets	Wear strips	Side guide brackets & accessories	Levelers	Engineering manual
Modular belts & sprockets	Chain & belt return systems	Frame & structure supports	Bearing supports	
Curves & tracks	Side guide solutions	Miscellaneous products	Equipment	

7 2 1 2 2 a

**2120 FLUSH GRID
SPROCKET POSITION FOR BELTS**



◀ back continue ▶

2120 FLUSH GRID (METRIC MODULE VERSION)

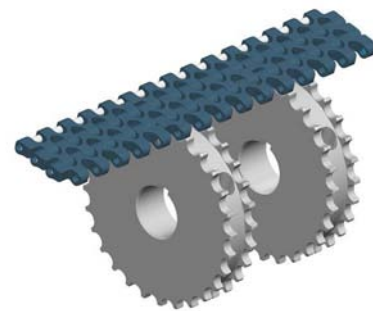
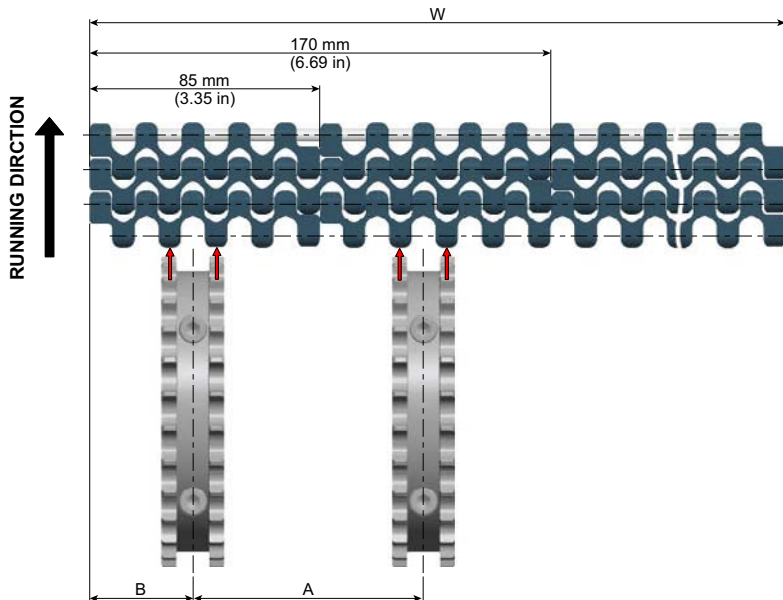
BELT SERIES AND VERSIONS	A (mm)	B (mm)	RECOMMENDED NUMBER OF SPROCKETS/IDLER WHEELS ACCORDING TO BELT WIDTH
• 2120 flush grid	85 (3.35")	38.1 (1.5")	Number of sprockets/idlers = belt width (mm) / 85 mm; Example: belt width 2040 mm; Required number of sprocket: 2040 / 85 = 24 For the sprocket's positioning of special cut-to-width belt, please refer to 7 2 1 2 8 a

For sprockets 2120.
Go to product page:
3 0 1 6 0 a

NOMINAL BELT WIDTH		RECOMMENDED NUMBER OF SPROCKETS/ IDLER WHEELS
SERIES 2120 FLUSH GRID		
mm	in	
85	3.35	1
170	6.69	2
255	10.04	3
340	13.39	4
425	16.73	5
510	20.08	6
595	23.43	7
680	26.77	8
765	30.12	9
850	33.46	10
935	36.81	11

NOMINAL BELT WIDTH		RECOMMENDED NUMBER OF SPROCKETS/ IDLER WHEELS
SERIES 2120 FLUSH GRID		
mm	in	
1020	40.16	12
1105	43.50	13
1190	46.85	14
1275	50.20	15
1360	53.54	16
1445	56.89	17
1530	60.24	18
1615	63.58	19
1700	66.93	20
etc.		

The 2120FG series belt does not have pockets to position the sprockets. This makes positioning the sprockets very flexible. It is important that the teeth of the sprocket push against the spherical side of the hinge eye. Also, please do not position a sprocket where two modules meet.



Note: Regal recommends the full complement of sprockets be used to maximize belt strength and wear life. Fewer sprockets can be an option for lightly-loaded or short conveyor applications. Consult our technical support for additional information.

CONSTRUCTION DETAILS - General index 7 2 1 1 0 a -

◀ back continue ▶

7 2 1 1 7 a Conveyor length and speed plastic chains and belts

7 2 1 4 0 a Construction recommendations

7 2 1 6 2 a Transfer

7 2 1 3 0 a Matching sprockets sizes for chains and belts running side by side

7 2 1 4 6 a Return part construction - Belts

7 2 1 7 2 a Head to tail transfer with roller modules - Belts

7 2 1 3 2 a Sprocket keyway dimensions

7 2 1 4 8 a Rotating rollers, guide shoes, wearstrips "serpentine system"

7 2 1 9 5 a Wearstrips - Belts

Chains & sprockets	Wear strips	Side guide brackets & accessories	Levelers	Engineering manual
Modular belts & sprockets	Chain & belt return systems	Frame & structure supports	Bearing supports	
Curves & tracks	Side guide solutions	Miscellaneous products	Equipment	



◀ back continue ▶

2122 FLUSH GRID (METRIC MODULE VERSION)

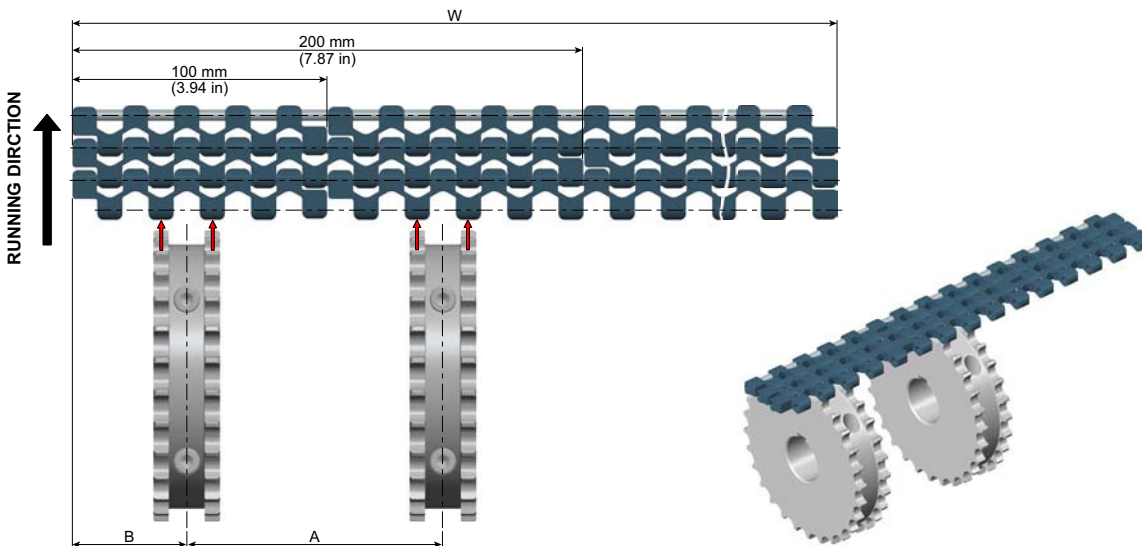
BELT SERIES AND VERSIONS	A (mm)	B (mm)	RECOMMENDED NUMBER OF SPROCKETS/IDLER WHEELS ACCORDING TO BELT WIDTH
<ul style="list-style-type: none"> 2122 flush grid 	100 (3.94")	44.8 (1.76")	<p>Number of sprockets/Idlers = belt width (mm) / 100 mm; Example: belt width 2000 mm; Required number of sprocket: 2000 / 100 = 20</p> <p>For the sprocket's positioning of special cut-to-width belt, please refer to 7 2 1 2 8 a</p> <p>Note: to provide a full support through sprockets and idlers, distance A can be set 50mm.</p>

For sprockets 2122.
Go to product page:
3 0 1 6 0 a

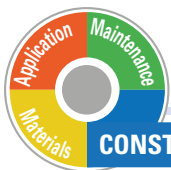
NOMINAL BELT WIDTH		RECOMMENDED NUMBER OF SPROCKETS/ IDLER WHEELS
SERIES 2122 FLUSH GRID		
mm	in	
100	3.94	1
200	7.87	2
300	11.81	3
400	15.75	4
500	19.69	5
600	23.62	6
700	27.56	7
800	31.50	8
900	35.43	9
1000	39.37	10
1100	43.30	11

NOMINAL BELT WIDTH		RECOMMENDED NUMBER OF SPROCKETS/ IDLER WHEELS
SERIES 2122 FLUSH GRID		
mm	in	
1200	47.24	12
1300	51.18	13
1400	55.12	14
1500	59.06	15
1600	62.99	16
1700	66.93	17
1800	70.87	18
1900	74.80	19
2000	78.74	20
2100	82.68	21
Etc		

The 2122FG series belt does not have pockets to position the sprockets. This makes positioning the sprockets very flexible. It is important that the teeth of the sprocket push against the spherical side of the hinge eye. Also, do not position a sprocket where two modules meet.



Note: Regal recommends the full complement of sprockets be used to maximize belt strength and wear life. Fewer sprockets can be an option for lightly-loaded or short conveyor applications. Consult our technical support for additional information.



CONSTRUCTION DETAILS - General index 7 2 1 1 0 a -

◀ back continue ▶

7 2 1 1 7 a Conveyor length and speed plastic chains and belts

7 2 1 4 0 a Construction recommendations

7 2 1 6 2 a Transfer

7 2 1 3 0 a Matching sprockets sizes for chains and belts running side by side

7 2 1 4 6 a Return part construction - Belts

7 2 1 7 2 a Head to tail transfer with roller modules - Belts

7 2 1 3 2 a Sprocket keyway dimensions

7 2 1 4 8 a Rotating rollers, guide shoes, wearstrips "serpentine system"

7 2 1 9 5 a Wearstrips - Belts



Chains & sprockets	Wear strips	Side guide brackets & accessories	Levelers	Engineering manual
Modular belts & sprockets	Chain & belt return systems	Frame & structure supports	Bearing supports	
Curves & tracks	Side guide solutions	Miscellaneous products	Equipment	

7 2 1 2 4 a

2256, 2190 FLUSH GRID

SPROCKET POSITION FOR BELTS



2256 FLUSH GRID, 2190 FLUSH GRID (IMPERIAL MODULE VERSION)

◀ back continue ▶

BELT SERIES AND VERSIONS	A (in)	B (in)	RECOMMENDED NUMBER OF SPROCKETS/IDLER WHEELS ACCORDING TO BELT WIDTH
<ul style="list-style-type: none"> • 2190 flush grid • 2256 flush grid 	3 (76.2 mm)	1.12 (28.5 mm)	Number of sprockets/Idlers = selt width (in)/ 3 in; Example: belt width 24 in (609.6 mm); Required number of sprocket: 24 / 3 = 8 For the sprocket's positioning of special cut-to-width belt, please refer to 7 2 1 2 8 a

For sprockets 2256.
Go to product page:

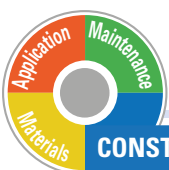
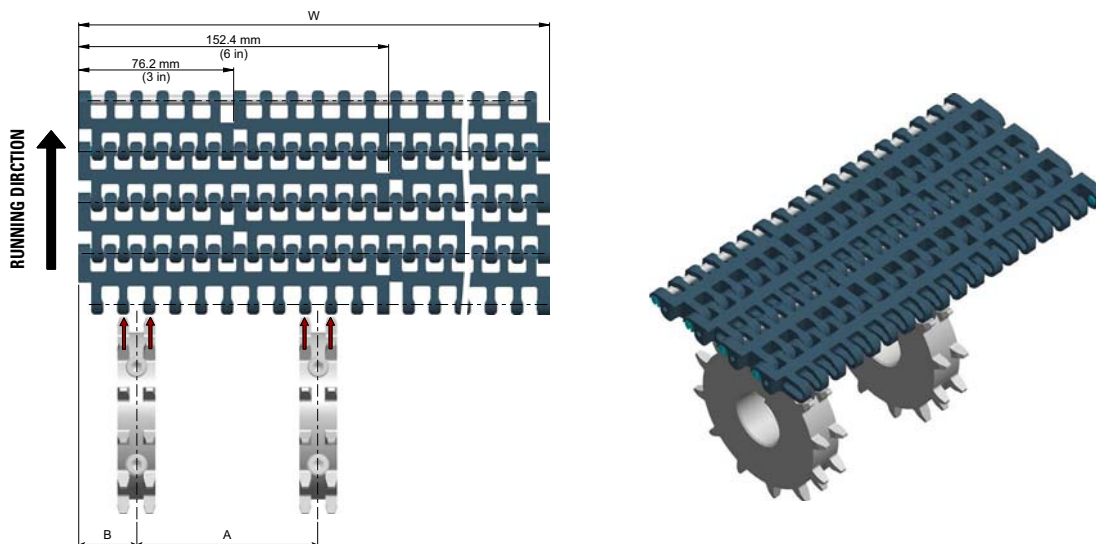
3 0 7 4 0 a

For sprockets 2190.
Go to product page:

3 0 2 3 5 a

NOMINAL BELT WIDTH		RECOMMENDED NUMBER OF SPROCKETS/ IDLER WHEELS
SERIES 2256 FLUSH GRID		
mm	in	
76,2	3	1
152,4	6	2
228,6	9	3
304,8	12	4
381,0	15	5
457,2	18	6
533,4	21	7
609,6	24	8

The 2256 and the 2190FG series belt does not have pockets to position the sprockets. This makes positioning the sprockets very flexible. It is important that the teeth of the sprocket push against the spherical side of the hinge eye. Also, please do not position a sprocket where two modules meet.



Note: Regal recommends the full complement of sprockets be used to maximize belt strength and wear life. Fewer sprockets can be an option for lightly-loaded or short conveyor applications. Consult our technical support for additional information.

◀ back continue ▶

CONSTRUCTION DETAILS - General index 7 2 1 1 0 a -

7 2 1 1 7 a Conveyor length and speed plastic chains and belts

7 2 1 4 0 a Construction recommendations

7 2 1 6 2 a Transfer

7 2 1 3 0 a Matching sprockets sizes for chains and belts running side by side

7 2 1 4 6 a Return part construction - Belts

7 2 1 7 2 a Head to tail transfer with roller modules - Belts

7 2 1 3 2 a Sprocket keyway dimensions

7 2 1 4 8 a Rotating rollers, guide shoes, wearstrips "serpentine system"

7 2 1 9 5 a Wearstrips - Belts



Chains & sprockets	Wear strips	Side guide brackets & accessories	Levelers	Engineering manual
Modular belts & sprockets	Chain & belt return systems	Frame & structure supports	Bearing supports	
Curves & tracks	Side guide solutions	Miscellaneous products	Equipment	

7 2 1 2 5 a

2121, 2124, 2080 SERIES

SPROCKET POSITION FOR BELTS



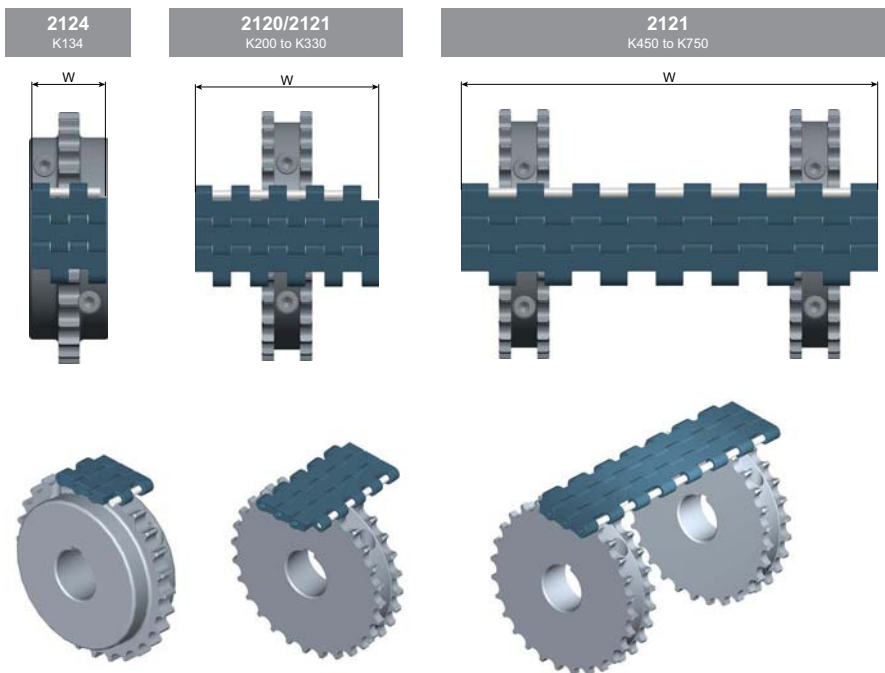
SINGLE TRACK 2121 FLAT TOP, RUBBER TOP AND 2124 FLAT TOP

BELT SERIES AND VERSIONS	RECOMMENDED NUMBER OF SPROCKETS/IDLER WHEELS ACCORDING TO BELT WIDTH
<ul style="list-style-type: none"> • Single track 2121 flat top, rubber insert • 2124 flat top 	For all single-track version of 2121 and 2124 consider: 1 sprocket/idler for belt width K134 to K330; 2 sprockets/idlers for belt width K450 to K750.

◀ back continue ▶

For sprockets 2121.
Go to product page:
3 0 1 6 0 a

For sprockets 2124.
Go to product page:
3 0 1 6 5 a



POWERFLEX™ 2351, 2451, 2551 AND 2651

BELT SERIES AND VERSIONS	A (mm)	B (mm)	RECOMMENDED NUMBER OF SPROCKETS/IDLER WHEELS ACCORDING TO BELT WIDTH
<ul style="list-style-type: none"> • 2351 • 2451 • 2551 • 2651 			See at page:
			7 2 2 4 0 a
			7 2 2 4 2 a
			7 2 2 4 4 a
			7 2 2 4 6 a

MICROPITCH 2080FT See to page: **7 2 3 5 2 a**



Note: Regal recommends the full complement of sprockets be used to maximize belt strength and wear life. Fewer sprockets can be an option for lightly-loaded or short conveyor applications. Consult our technical support for additional information.

CONSTRUCTION DETAILS - General index **7 2 1 1 0 a** -

◀ back continue ▶

7 2 1 1 7 a Conveyor length and speed plastic chains and belts

7 2 1 4 0 a Construction recommendations

7 2 1 6 2 a Transfer

7 2 1 3 0 a Matching sprockets sizes for chains and belts running side by side

7 2 1 4 6 a Return part construction - Belts

7 2 1 7 2 a Head to tail transfer with roller modules - Belts

7 2 1 3 2 a Sprocket keyway dimensions

7 2 1 4 8 a Rotating rollers, guide shoes, wearstrips "serpentine system"

7 2 1 9 5 a Wearstrips - Belts

Chains & sprockets	Wear strips	Side guide brackets & accessories	Levelers	Engineering manual
Modular belts & sprockets	Chain & belt return systems	Frame & structure supports	Bearing supports	
Curves & tracks	Side guide solutions	Miscellaneous products	Equipment	

7 2 1 2 6 a

**2508, 2630 SERIES
SPROCKET POSITION FOR BELTS**



SERIES 2508 AND 2630 (METRIC MODULE VERSION)

BELT SERIES AND VERSIONS	A (mm)	B (mm)	RECOMMENDED NUMBER OF SPROCKETS/IDLER WHEELS ACCORDING TO BELT WIDTH
<ul style="list-style-type: none"> 2508 2630 	100 (3.94")	24.5 (0.96")	Number of sprockets/Idlers = belt width (mm) / 100 mm; Example: belt width 2000 mm; Required number of sprocket: 2000 / 100 = 20 For the sprocket's positioning of special cut-to-width belt, please refer to 7 2 1 2 8 a Note: to provide a full support through sprocket and idler, distance A can be set to 50 mm.

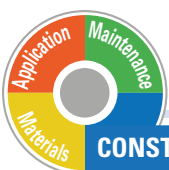
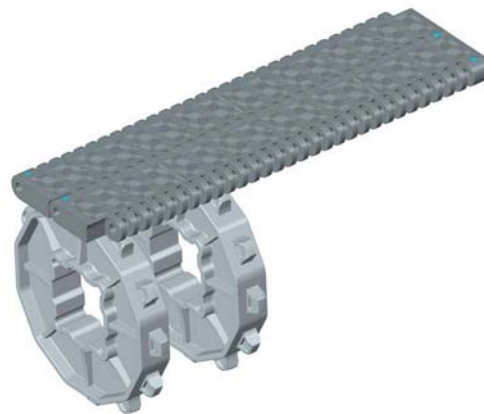
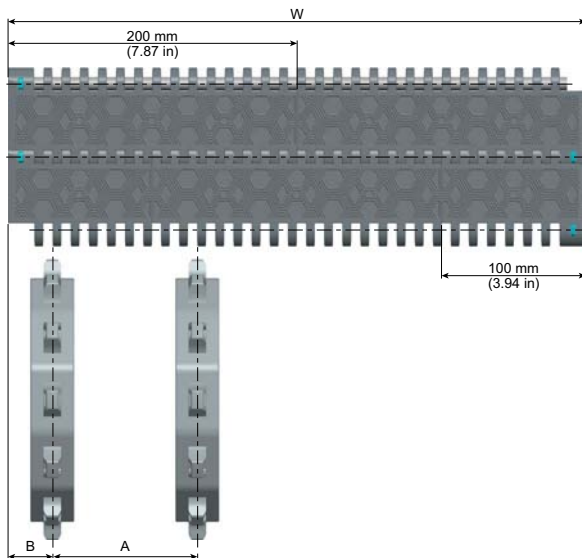
◀ back continue ▶

For sprockets 2508.
Go to product page:
3 0 6 4 0 a

For sprockets 2630.
Go to product page:
3 0 6 5 0 a

NOMINAL BELT WIDTH		RECOMMENDED NUMBER OF SPROCKETS/ IDLER WHEELS
SERIES 2508		
mm	in	
100	3.94	1
200	7.87	2
300	11.81	3
400	15.75	4
500	19.69	5
600	23.62	6
700	27.56	7
800	31.50	8
900	35.43	9
1000	39.37	10
1100	43.30	11

NOMINAL BELT WIDTH		RECOMMENDED NUMBER OF SPROCKETS/ IDLER WHEELS
SERIES 2630		
mm	in	
1200	47.24	12
1300	51.18	13
1400	55.12	14
1500	59.06	15
1600	62.99	16
1700	66.93	17
1800	70.87	18
1900	74.80	19
2000	78.74	20
2100	82.68	21
Etc		



Note: Regal recommends the full complement of sprockets be used to maximize belt strength and wear life. Fewer sprockets can be an option for lightly-loaded or short conveyor applications. Consult our technical support for additional information.

◀ back continue ▶

CONSTRUCTION DETAILS - General index 7 2 1 1 0 a -

7 2 1 1 7 a Conveyor length and speed plastic chains and belts

7 2 1 4 0 a Construction recommendations

7 2 1 6 2 a Transfer

7 2 1 3 0 a Matching sprockets sizes for chains and belts running side by side

7 2 1 4 6 a Return part construction - Belts

7 2 1 7 2 a Head to tail transfer with roller modules - Belts

7 2 1 3 2 a Sprocket keyway dimensions

7 2 1 4 8 a Rotating rollers, guide shoes, wearstrips "serpentine system"

7 2 1 9 5 a Wearstrips - Belts

Chains & sprockets	Wear strips	Side guide brackets & accessories	Levelers	Engineering manual
Modular belts & sprockets	Chain & belt return systems	Frame & structure supports	Bearing supports	
Curves & tracks	Side guide solutions	Miscellaneous products	Equipment	

7 2 1 2 7 a

2500 RAISED RIB SPROCKET POSITION FOR BELTS



SERIES 2500 RAISED RIB

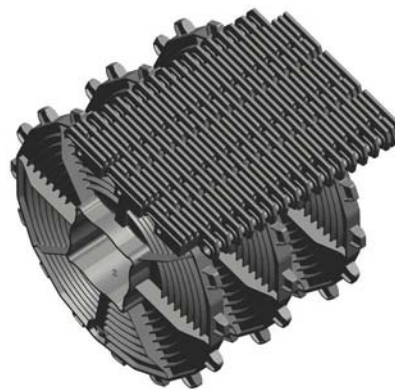
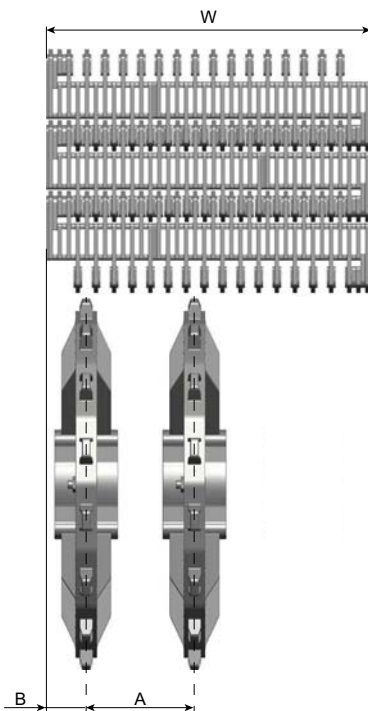
BELT SERIES AND VERSIONS	A (mm)	B (mm)	RECOMMENDED NUMBER OF SPROCKETS/IDLER WHEELS ACCORDING TO BELT WIDTH
• 2500 raised rib	76.2 (3")	18.8 (3/4")	Number of sprockets/Idlers = belt width (mm) / 76.2 mm; Example: belt width 1829 mm (72"); Required number of sprocket: 1829 / 76.2 = 24; For the sprocket's positioning of special cut-to-width belt, please refer to 7 2 1 2 8 a

◀ back continue ▶

For sprockets 2500RR.
Go to product page:
3 0 6 1 5 a

NOMINAL BELT WIDTH		RECOMMENDED NUMBER OF SPROCKETS/ IDLER WHEELS
SERIES 2500RR		
mm	in	
76,2	3	1
152,4	6	2
228,6	9	3
304,8	12	4
381,0	15	5
457,2	18	6
533,4	21	7

NOMINAL BELT WIDTH		RECOMMENDED NUMBER OF SPROCKETS/ IDLER WHEELS
SERIES 2500RR		
mm	in	
609,6	24	8
685,8	27	9
762,0	30	10
838,2	33	11
914,4	36	12
990,6	39	13
1066,8	42	14



Note: Regal recommends the full complement of sprockets be used to maximize belt strength and wear life. Fewer sprockets can be an option for lightly-loaded or short conveyor applications. Consult our technical support for additional information.



CONSTRUCTION DETAILS - General index 7 2 1 1 0 a -

◀ back continue ▶

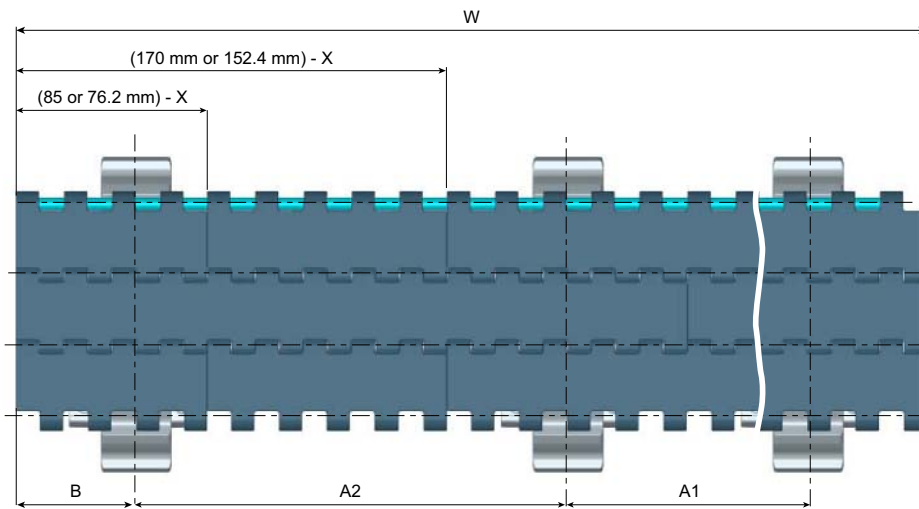
- | | | |
|---|--|--|
| 7 2 1 1 7 a Conveyor length and speed plastic chains and belts | 7 2 1 4 0 a Construction recommendations | 7 2 1 6 2 a Transfer |
| 7 2 1 3 0 a Matching sprockets sizes for chains and belts running side by side | 7 2 1 4 6 a Return part construction - Belts | 7 2 1 7 2 a Head to tail transfer with roller modules - Belts |
| 7 2 1 3 2 a Sprocket keyway dimensions | 7 2 1 4 8 a Rotating rollers, guide shoes, wearstrips "serpentine system" | 7 2 1 9 5 a Wearstrips - Belts |

Chains & sprockets	Wear strips	Side guide brackets & accessories	Levelers	Engineering manual
Modular belts & sprockets	Chain & belt return systems	Frame & structure supports	Bearing supports	
Curves & tracks	Side guide solutions	Miscellaneous products	Equipment	

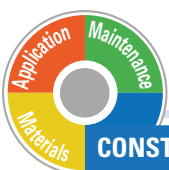
SPECIAL CUT TO WIDTH BELTS



◀ back



BELT SERIES AND VERSIONS	A1 (mm)	A2 (mm)	B (mm)	RECOMMENDED NUMBER OF SPROCKETS/IDLER WHEELS ACCORDING TO BELT WIDTH
<ul style="list-style-type: none"> 2120 flat top, rubber top, LBP and guide bar 2250 flat top, flush grid, rubber top, flight 2251 flat top, rubber top and LBP 	85 (3.35")	Depends on the cut	42.5 (1.67")	<p>For special width cut, please keep the same pitch A1 (85 mm) and B, the first dimension A2 may be different according to the cut-width.</p> <p>$A2 = 2 * A1 - X$ where is the cut length.</p> <p>Metric version module: X is a multiple of 17 mm.</p> <p>example: cut width 493mm next nominal width 510mm $X = \text{Nom. width} - \text{cut. width} = 510 - 493 = 17$ $A2 = 2 * A1 - X = 2 * 85 - 17 = 153$</p>
<ul style="list-style-type: none"> 2120 flush grid 	85 (3.35")	Depends on the cut	38.1 (1.5")	
<ul style="list-style-type: none"> 2080 flat top 2121 flat top 2190 flat top 2252 flat top and perforated top 2253 flat top 	76.2 (3")	Depends on the cut	38.1 (1.5")	<p>For special width cut, please keep the same pitch A1 (85 mm) and B, the first dimension A2 may be different according to the cut-width.</p> <p>$A2 = 2 * A1 - X$ where is the cut length.</p>
<ul style="list-style-type: none"> 2256 flush grid 2190 flush grid 	76.2 (3")	Depends on the cut	28.5 (1.12")	<p>Imperial version module: 2190 and 2253: X is a multiple of 12.5 mm. 2121 and 2252: X is a multiple of 25.4 mm. 2080: X is a multiple of 15.24 mm (0.6")</p>
<ul style="list-style-type: none"> 2500 raised rib 	76.2 (3")	Depends on the cut	18.8 (3/4")	
<ul style="list-style-type: none"> 2122 flush grid 	100 (3.94")	Depends on the cut	44.8 (1.76")	<p>For special width cut, please keep the same pitch A1 (85 mm) and B, the first dimension A2 may be different according to the cut-width.</p> <p>$A2 = 2 * A1 - X$ where is the cut length.</p> <p>X is a multiple of 20 mm</p>
<ul style="list-style-type: none"> 2508 2630 	100 (3.94")	Depends on the cut	24.5 (0.96")	<p>For special width cut, please keep the same pitch A1 (85 mm) and B, the first dimension A2 may be different according to the cut-width.</p> <p>$A2 = 2 * A1 - X$ where is the cut length.</p> <p>X is a multiple of 12.5 mm</p>



Note: Regal recommends the full complement of sprockets be used to maximize belt strength and wear life. Fewer sprockets can be an option for lightly-loaded or short conveyor applications. Consult our technical support for additional information.

◀ back

7 2 1 1 7 a Conveyor length and speed plastic chains and belts

7 2 1 4 0 a Construction recommendations

7 2 1 6 2 a Transfer

7 2 1 3 0 a Matching sprockets sizes for chains and belts running side by side

7 2 1 4 6 a Return part construction - Belts

7 2 1 7 2 a Head to tail transfer with roller modules - Belts

7 2 1 3 2 a Sprocket keyway dimensions

7 2 1 4 8 a Rotating rollers, guide shoes, wearstrips "serpentine system"

7 2 1 9 5 a Wearstrips - Belts



Chains & sprockets	Wear strips	Side guide brackets & accessories	Levelers	Engineering manual
Modular belts & sprockets	Chain & belt return systems	Frame & structure supports	Bearing supports	
Curves & tracks	Side guide solutions	Miscellaneous products	Equipment	

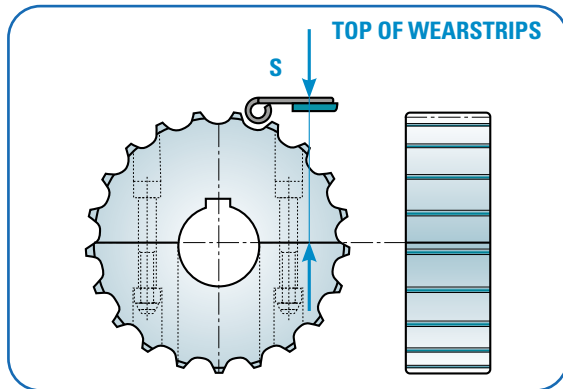


SPROCKETS AND IDLER WHEELS

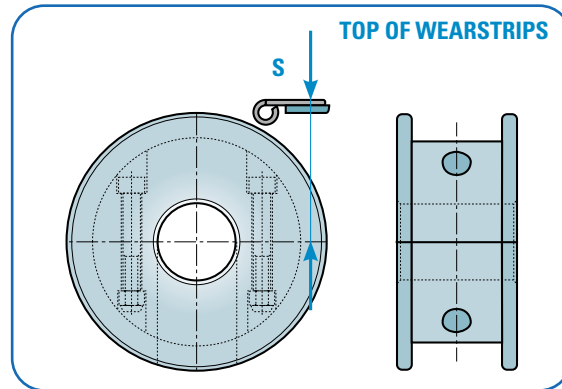
For the detailed information about the different types of sprockets, please refer to the dedicated sprocket pages.

For positioning the sprockets, the horizontal and vertical position relative to the top of the wearstrip are important for both sprocket and idler to ensure smooth running of the chain at minimum noise level. The ideal configuration will minimize chain/belt and sprocket wear and ensure proper sprocket pocket engagement.

SPROCKET:



IDLER:



When replacing a sprocket to a different one (f.e. for retrofit from stainless steel chain to plastic chain), it is important to choose the right number of teeth (i.e. the right pitch circle diameter PCD) to assure as close as possible the same speed and S dimension.

When matching sprockets for chains to sprockets for belts, the corresponding number of teeth can be chosen depending on the dimension center of shaft to the top of the wearstrip (S).

In the below table matching sprockets can be found below each other.

APPROXIMATE TOP OF WEARSTRIP MATCHING															
CHAIN TYPE			mm					inches							
815	Z	teeth number		17	19	21	23	25		17	19	21	23	25	
8857	P	pitch diameter		105,47	117,34	129,26	141,21	153,21		4,15	4,62	5,09	5,56	6,03	
8157	S	height		55,9	61,9	67,8	73,8	79,8		2,2	2,44	2,67	2,91	3,14	
820	Z	teeth number		17	19	21	23	25		17	19	21	23	25	
	P	pitch diameter		105,47	117,34	129,26	141,21	153,21		4,15	4,62	5,09	5,56	6,03	
	S	height		55,9	61,9	67,8	73,8	79,8		2,2	2,44	2,67	2,91	3,14	
2250	Z	teeth number	12	14	16	18		20		12	14	16	18		20
2253	P	pitch diameter	98,14	114,18	130,2	146,27		162,37		3,86	4,5	5,13	5,76		6,39
	S	height	44,7	52,7	60,7	68,8		76,8		1,76	2,07	2,39	2,71		3,02
2260FT-M	Z	teeth number				16		18					16		18
2250FT-TAB	P	pitch diameter				130,2		146,3					5,13		5,76
2250FT-M	S	height				67,8		75,7					2,67		2,98
880	Z	teeth number			9	10	11	12			9	10	11	12	
828	P	pitch diameter			111,4	123,3	135,2	147,2			4,39	4,85	5,32	5,8	
	S	height			59,3	65,25	71,2	77,2			2,33	2,57	2,8	3,04	
882	Z	teeth number			10	12	12					10	12	12	
8257	P	pitch diameter			123,3			147,2				4,85		5,8	
	S	height			65,4			78,5				2,57		3,09	
2120	Z	teeth number				36	38	40		24	28		36	38	40
	P	pitch diameter	97,3	113,43		145,72	153,78	161,85		3,83	4,47		5,74	6,05	6,37
	S	height	44,3	52,4		68,5	72,6	76,6		1,74	2,06		2,7	2,86	3,02
2190	Z	teeth number		17		24	25			17		21	24	25	
	P	pitch diameter		100,7		142,9	149			3,96		5,03	5,63	5,87	
	S	height		46		58,6	67,1	70,1		1,81		2,31	2,64	2,76	
2251	Z	teeth number		14	16		18	20		14	16		18	20	
2252	P	pitch diameter		114,18	130,2		146,3	162,4		4,5	5,13		5,76	6,39	
	S	height		50,7	58,7		66,7	74,8		1,99	2,31		2,62	2,94	



CONSTRUCTION DETAILS - General index 7 2 1 1 0 a -

7 2 1 1 7 a Conveyor length and speed plastic chains and belts

7 2 1 4 0 a Construction recommendations

7 2 1 6 2 a Transfer

7 2 1 2 0 a Sprocket position for belts

7 2 1 4 6 a Return part construction - Belts

7 2 1 7 2 a Head to tail transfer with roller modules - Belts

7 2 1 3 2 a Sprocket keyway dimensions

7 2 1 4 8 a Rotating rollers, guide shoes, wearstrips "serpentine system"

7 2 1 9 5 a Wearstrips - Belts



Chains & sprockets	Wear strips	Side guide brackets & accessories	Levelers	Engineering manual
Modular belts & sprockets	Chain & belt return systems	Frame & structure supports	Bearing supports	
Curves & tracks	Side guide solutions	Miscellaneous products	Equipment	



7 2 1 3 2 a SPROCKET KEYWAY DIMENSIONS

Note: Plain bores require to be machined.

There are three classifications for sprockets bores.

A **fixed** fitting means that the sprockets are not able to move after installation. This applies to split sprockets.

A **tight** fitting means that the sprockets can be moved on the shaft, but not easy. This applies to one piece sprockets only.

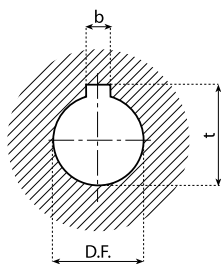
A **floating** fitting means that the sprockets are able to move easy along the shaft and follow belt expansion and contraction. This applies to all square bores, all bores with double keyway and all idler bores.

To indicate a plus bore just add the letter -P to the standard item description for example 2250-12R25M-D **PMS**.

Also split sprockets are available with a plus tolerance to be able to move freely along the shaft.

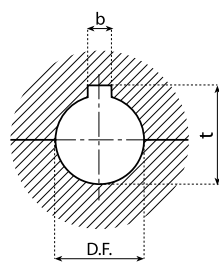
SINGLE KEYWAY SPROCKETS - METRIC SIZE

DF	b	t
NOMINAL mm		
20	6	22.8
25	8	28.3
30		33.3
35	10	38.3
40	12	43.3
45	14	48.8
50		53.8
65	18	69.4
90	25	95.4



SINGLE KEYWAY SPROCKETS - IMPERIAL SIZE

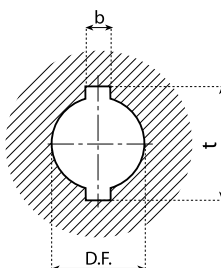
DF	b	t
NOMINAL in		
1	1/4	1.1/8
1.1/4		1.3/8
1.7/16	3/8	1.5/8
1.1/2		1.11/16
1.3/4		1.15/16



Key to be used according to UNI 6604 - 69 /ISO 773 - DIN 6885

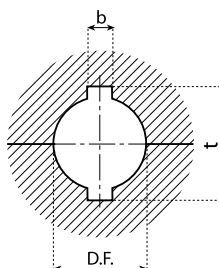
DOUBLE KEYWAY SPROCKETS - METRIC SIZE

DF	b	t
NOMINAL mm		
20	6	25.6
25	8	31.6
30		36.6
35	10	41.6
40	12	46.6
45	14	52.6
50		57.6
65	18	73.8
90	25	100.8



DOUBLE KEYWAY SPROCKETS - IMPERIAL SIZE

DF	b	t
NOMINAL in		
1	1/4	1.1/4
1.1/4		1.1/2
1.7/16	3/8	1.13/16
1.1/2		1.7/8
1.3/4		2.1/8



Key to be used according to UNI 6604 - 69 /ISO 773 - DIN 6885

SHAFTS

Stainless steel is recommended in every case.

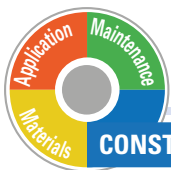
Sufficient hardness (> 25 HRC) as well as smooth surface (<0.6 µm) is recommended.

For chains usually round shafts are used, for belts round or square shafts. Larger width belts often require square or double-keyed shafts to allow sprockets to adjust with the thermal elongation of belt width and to minimize the shaft torsion.

Shaft tolerance is usually H7 (DIN 6885)

Shafts and keys must be manufactured according to DIN 6885 or ANSI B17.1

General shaft locking: center sprocket is locked by set screw or collar shaft while other sprockets should be floating.



CONSTRUCTION DETAILS - General index 7 2 1 1 0 a -

7 2 1 1 7 a Conveyor length and speed plastic chains and belts

7 2 1 2 0 a Sprocket position for belts

7 2 1 3 0 a Matching sprocket sizes chainsbelts running sideside

7 2 1 4 0 a Construction recommendations

7 2 1 4 6 a Return part construction - Belts

7 2 1 4 8 a Rotating rollers, guide shoes, wearstrips "serpentine system"

7 2 1 6 2 a Transfer

7 2 1 7 2 a Head to tail transfer with roller modules - Belts

7 2 1 9 5 a Wearstrips - Belts



Chains & sprockets	Wear strips	Side guide brackets & accessories	Levelers	Engineering manual
Modular belts & sprockets	Chain & belt return systems	Frame & structure supports	Bearing supports	
Curves & tracks	Side guide solutions	Miscellaneous products	Equipment	

7 2 1 3 4 a

CURVE SYSTEMS FOR CHAINS

CURVE SYSTEMS

A sideflexing chain must be kept in a curve to avoid the chain lifting and pulling out from the curve. The chain is also guided on the return part by the curve system.

For general conveyor construction guideline refer to page **7 2 1 4 0 a**

THERE CAN BE DIFFERENT REQUIREMENTS WHEN CHOOSING A CURVE SYSTEM:

- Cost
- Cleanability
- Ease of maintenance
- Security
- Possible presence of foreign particles
- Abrasive conditions
- Inspector demands
- Side transfers



continue ►

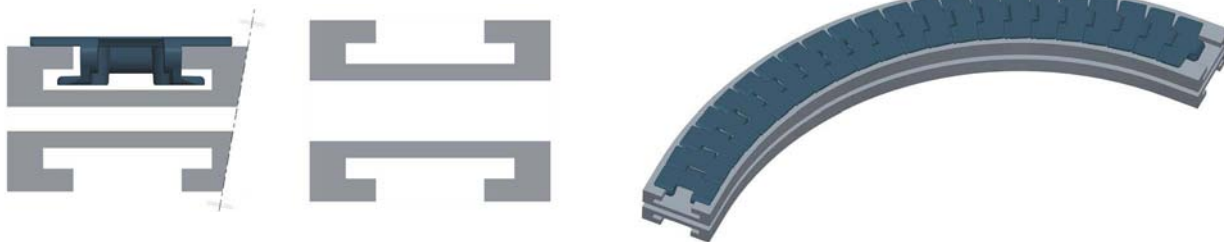
For curves. Go to product page:

5 0 0 1 0 a

There are 3 different curve systems commonly in use:

TAB:

Curve has a tab design to physically keep the chain from lifting out of the curve. Carry ways and returns are the exact same profile - no additional support plate is needed.



For cleaning and inspection purpose, the chain can only be removed from the curve by disassembling the chain.

BEVEL:

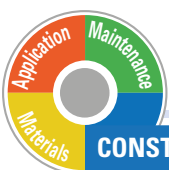
Curve has a bevel design for matching the bevel chain. The angle of the curve inside helps the chain from lifting out of the curve track. Carry ways and returns are slightly different: a support plate is needed in the return to retain the chain.



For cleaning and inspection purpose, the chain can only be removed from the curve by disassembling the chain.

MAGNETIC VERSION:

7 2 1 3 4 b



CONSTRUCTION DETAILS - General index 7 2 1 1 0 a -

continue ►

7 2 1 1 5 a Conveyor length and speed stainless steel chains

7 2 1 3 8 a Load on curves

7 2 1 6 2 a Transfer

7 2 1 1 7 a Conveyor length and speed plastic chains and belts

7 2 1 4 0 a Construction recommendations

7 2 1 9 5 a Wearstrips - Chains

7 2 1 3 6 a Curve System - Belt

7 2 1 4 8 a Rotating rollers, guide shoes, wearstrips "serpentine system"

7 2 2 1 5 a Wearstrips for Chains and belt with difference thickness

Chains & sprockets	Wear strips	Side guide brackets & accessories	Levelers	Engineering manual
Modular belts & sprockets	Chain & belt return systems	Frame & structure supports	Bearing supports	
Curves & tracks	Side guide solutions	Miscellaneous products	Equipment	



◀ back

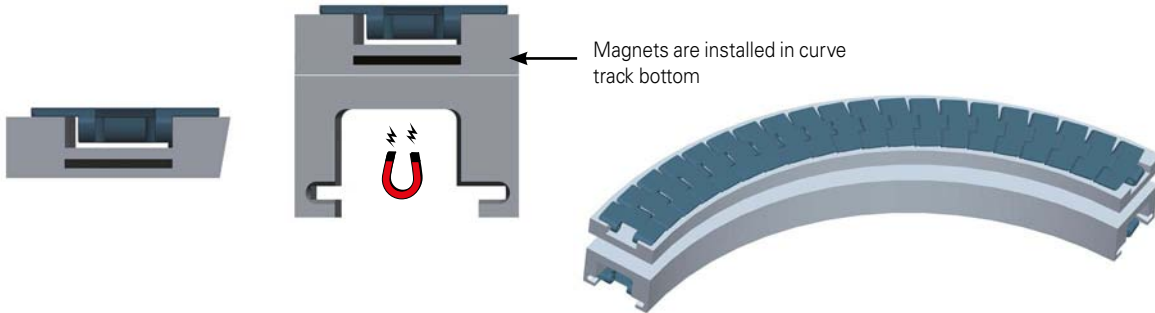
For curves.
Go to product page:
5 0 0 1 0 a

TAB and bevel version.
Go to:

7 2 1 3 6 a

MAGNETIC:

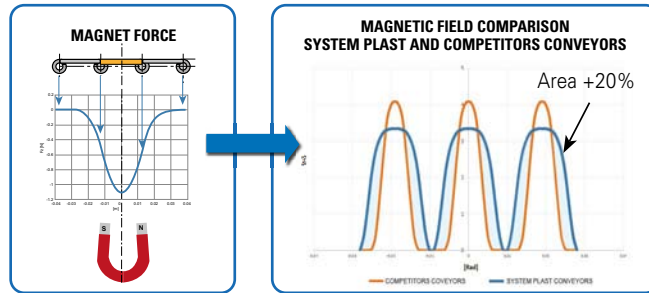
Curve has magnets installed in the bottom of the carry curve track to hold the chain in place.



For cleaning and inspection purposes, the chain can be removed from the curve without disassembly enabling easier maintenance and inspection than TAB and bevel curves. Returns differ vastly from the carry ways as they retain the chain on the flights.

System Plast® magnetic curves have an optimized magnetic field which allows:

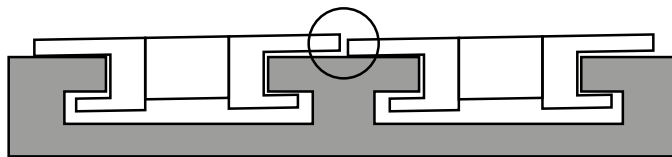
- Smoother chain operation and reduced risk of stick-slip effect.
- Homogenous magnetic field.
- Better product stability



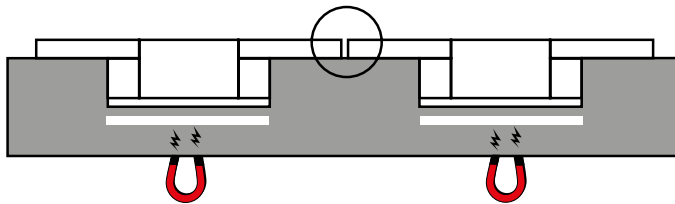
COMPARISON OF CURVE SYSTEMS:

	BEVEL	TAB	MAGNETIC
Secure chain retention	+	+++	++
Support in return part	-	++	+
Chain can be easily lifted for cleaning	++	-	+++
Jamming due to foreign particles	+	-	++

Especially with unstable products and a multiple strand situation bevel and tab have a disadvantage: the link can rise in the curve creating a "step" between the individual strands:



With the magnet system the links remain flat on the curve:



◀ back

7 2 1 1 5 a Conveyor length and speed stainless steel chains

7 2 1 1 7 a Conveyor length and speed plastic chains and belts

7 2 1 3 6 a Curve System - Belt

7 2 1 3 8 a Load on curves

7 2 1 4 0 a Construction recommendations

7 2 1 4 8 a Rotating rollers, guide shoes, wearstrips "serpentine system"

7 2 1 6 2 a Transfer

7 2 1 9 5 a Wearstrips - Chains

7 2 2 1 5 a Wearstrips for Chains and belt with difference thickness

Chains & sprockets	Wear strips	Side guide brackets & accessories	Levelers	Engineering manual
Modular belts & sprockets	Chain & belt return systems	Frame & structure supports	Bearing supports	
Curves & tracks	Side guide solutions	Miscellaneous products	Equipment	

7 2 1 3 6 a

CURVE SYSTEMS FOR BELTS

CURVE SYSTEMS

A sideflexing belt must be kept in a curve to avoid the belt lifting and jumping from the curve. The belt is guided also on the return part by the curve system.

For general conveyor construction guideline refer to page **7 2 1 4 0 a**

THERE CAN BE DIFFERENT REQUIREMENTS WHEN CHOOSING A CURVE SYSTEM:

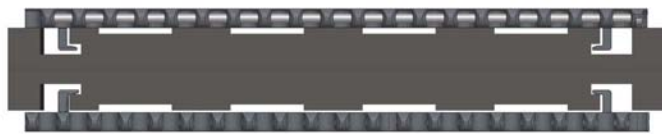
- Cost
- Cleanability
- Ease of maintenance
- Security
- Possible presence of foreign particles
- Abrasive conditions
- Inspector demands - ease of inspection
- Side transfers



There are 3 different curve systems commonly in use for belt:

TAB:

Belts with TAB's require a curve with TAB track. TAB design can be different following the type of sideflexing belts. For further detail, refer to dedicated sideflexing belt sections.

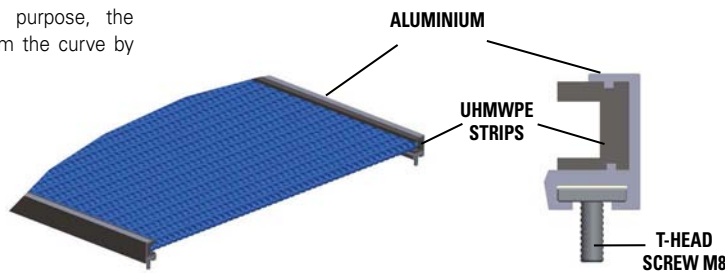


For cleaning and inspection purpose, the belt can only be removed from the curve by disassembling the belt.

MACHINED GUIDE RAIL - C PROFILE:

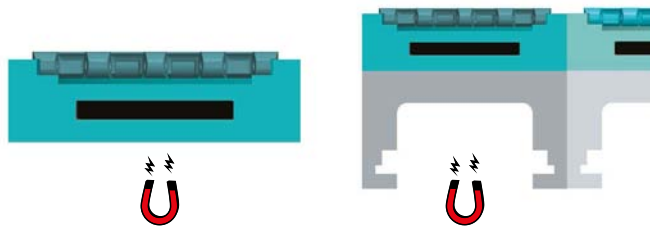
Aluminum and UHMWPE guide rail are used for guiding and supporting modular sideflexing belts from the side.

For cleaning and inspection purpose, the belt can only be removed from the curve by disassembling the belt.



MAGNETIC:

The 2120M sideflexing belt uses magnets to hold it flat in the track. Returns differ vastly from the carry ways as they retain the chain on the flights.



Belt can be removed without disassembly enabling easier maintenance and inspections.

COMPARISON OF CORNER SYSTEMS:

	C-PROFILE	TAB	MAGNETIC
Secure chain retention	+++	+++	++
Support in return part	+	++	+
Chain can be easily lifted for cleaning	--	-	+++
Jamming due to foreign particles	+	--	++



CONSTRUCTION DETAILS - General index 7 2 1 1 0 a -

7 2 1 1 5 a Conveyor length and speed stainless steel chains

7 2 1 1 7 a Conveyor length and speed plastic chains and belts

7 2 1 3 4 a Curve system - Chains

7 2 1 3 8 a Load on curves

7 2 1 4 0 a Construction recommendations

7 2 1 4 8 a Rotating rollers, guide shoes, wearstrips "serpentine system"

7 2 1 6 2 a Transfer

7 2 2 0 5 a Wearstrips - Belts

7 2 2 1 5 a Wearstrips for Chains and belt with difference thickness

Chains & sprockets	Wear strips	Side guide brackets & accessories	Levelers	Engineering manual
Modular belts & sprockets	Chain & belt return systems	Frame & structure supports	Bearing supports	
Curves & tracks	Side guide solutions	Miscellaneous products	Equipment	

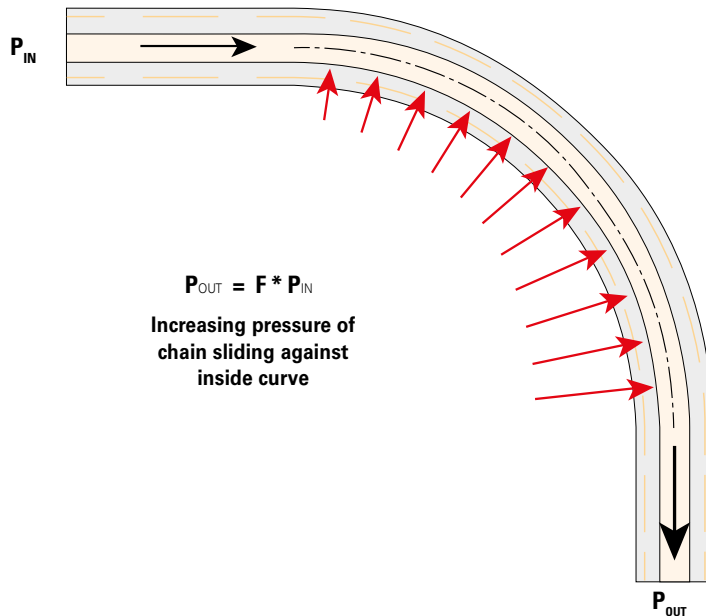


7 2 1 3 8 a

LOAD ON CURVES

CURVE SYSTEMS

When designing a layout, the curves are often the limiting factor. A curve adds significantly to the chain pull because of the increased tension and friction between the chain/belt and the inner radius. The chain pull at the end of the curve (P_{OUT}) can be calculated by multiplying the curve factor times the chain pull at the beginning of the curve (P_{IN}). The curve factor "F" depends on the angle of the curve and the friction between chain and curve (for further calculations please refer to our SPEC® software calculation program <http://spec.systemplast.com>).



Because of this curve factor it's generally better to position a curve close to the idler end rather than close to the drive end. Then the load in the curve is reduced.

In general, it is recommend to keep the total curve angle in a conveyor below 180°. When running without lubrication, it is recommended to have no more than 90° with one drive.

The pressure on the inside of the curve increases through the curve. This plus the speed of the chain, generates heat. The maximum allowable pressure and velocity (speed) together is called PV limit. This is an important factor next to the maximum allowable chain pull. The generated heat will warm up the curve material and when it gets too warm, it will become softer and wears out quickly. Extreme cases can cause the chain or the curve material to melt and delaminate.

Use SPEC® calculator to check the load and PV limits for all applications:



To maximize the PV limit, Regal has developed some special curve materials.

See Nolu®-S parts: **7 3 5 7 3 a**



CONSTRUCTION DETAILS - General index 7 2 1 1 0 a -

7 2 1 1 5 a Conveyor length and speed stainless steel chains

7 2 1 1 7 a Conveyor length and speed plastic chains and belts

7 2 1 3 4 a Curve system - Chains

7 2 1 3 6 a Curve system - Belts

7 2 1 4 0 a Construction recommendations

7 2 1 4 8 a Rotating rollers, guide shoes, wearstrips "serpentine system"

7 2 1 6 2 a Transfer

7 2 2 0 5 a Wearstrips - Belts

7 2 2 1 7 a Selection of wearstrips material



Chains & sprockets	Wear strips	Side guide brackets & accessories	Levelers	Engineering manual
Modular belts & sprockets	Chain & belt return systems	Frame & structure supports	Bearing supports	
Curves & tracks	Side guide solutions	Miscellaneous products	Equipment	



continue ►

7 2 1 4 0 a

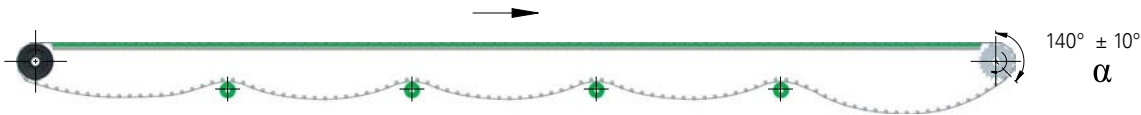
DRIVE CONSTRUCTION
CONSTRUCTION RECOMMENDATIONS

Index return systems.
Go to product page:

5 1 0 1 0 a

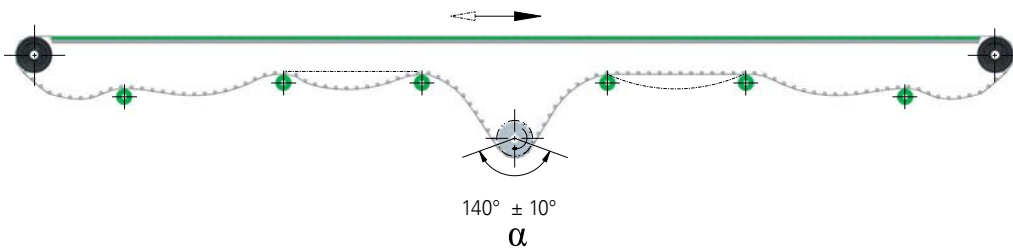
END DRIVE

Usually used for uni-directional applications.
Preferred running direction of chain must be considered.



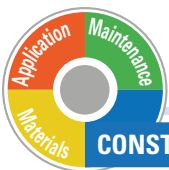
CENTER DRIVE

Usually used for bi-directional applications or when space at the end of the conveyor for a drive construction is limited.
Required configuration for dual nose over applications.
Commonly used for off-line accumulation tables.
Chains without preferred running direction are recommended.



WRAP AROUND ANGLE: α

Recommended angle on sprockets is $140^\circ \pm 10^\circ$.
A too small angle may result in chain/belt jumping on the sprocket (too few teeth engaged in sprocket pockets).
A too large angle may result in chain/belt not releasing safely from the sprocket, leading to over-backflexing failures.



CONSTRUCTION DETAILS - General index **7 2 1 1 0 a** -

continue ►

7 2 1 1 5 a Conveyor length and speed stainless steel chains

7 2 1 1 7 a Conveyor length and speed plastic chains and belts

7 2 1 4 2 a Tensioner

7 2 1 4 4 a Return part construction

7 2 1 4 8 a Rotating Rollers, Guide Shoes, Wearstrips & Serpentine

7 2 1 6 2 a Transfer

7 2 1 7 2 a Head to tail transfer with roller modules

7 2 1 8 4 a Nosebar Transfer (only 2120)

7 2 1 9 5 a Wearstrips

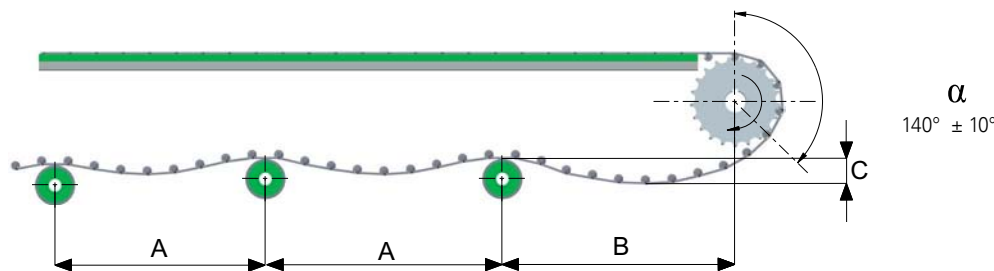
Chains & sprockets	Wear strips	Side guide brackets & accessories	Levelers	Engineering manual
Modular belts & sprockets	Chain & belt return systems	Frame & structure supports	Bearing supports	
Curves & tracks	Side guide solutions	Miscellaneous products	Equipment	



RECOMMENDED DIMENSIONS OF CATENARY SAG

The catenary sag helps to discharge the load and to release the chain/belt properly from the sprocket, while ensuring sufficient tension to keep the sprocket engaged with the chain/belt. The catenary sag also absorbs the chain/belt length variations due to the thermal expansion/contraction. It is also the location where elongation can manifest, allowing for more infrequent maintenance adjustments to remove links due to wear.

A properly set catenary sag is important for the correct operation of the chains/belts. Recommended catenary sag dimensions are in the below table for each chain/belt type. Dimensions should be measured during operation. General recommendation is to tighten the conveyor as tight as you can get it by hand to achieve the desired amount of catenary sag.



	A	B	C
	mm		
Chains	400-550	500-900	50-125
LBP chains	400-550	600-900	50-150
Belts	500-700	600-900	50-125
	in		
Chains	16 - 22	20 - 36	2 - 5
LBP chains	16 - 22	24 - 36	2 - 6
Belts	20 - 28	24 - 36	2 - 5

As a general rule of thumb for conveyors with roller returns, the catenary span (B) should be ± 1.5 times as long as the subsequent roller spans (A).

Speed, start-up frequency and drive control must be considered for the design of catenary sags.

Catenary sag should be checked and adjusted regularly due to chain elongation. If the catenary sag exceeds the recommended value (C), we suggest removing excess links.

Over-tightening the chain/belt (insufficient catenary sag) will lead to high hinge tension, which causes an increase of load on link load and fast wear rate on the hinge, even when the conveyor is not operating.

Excessive sag reduces the catenary tension (resulting in insufficient transferred force from the sprocket teeth) which could lead to improper disengaging of sprocket plus a deep sag which can run against structural parts.

In any case the length of the catenary sag (B) must be SIGNIFICANTLY longer than dimension A.



7 2 1 1 5 a Conveyor length and speed stainless steel chains

7 2 1 4 4 a Return part construction

7 2 1 7 2 a Head to tail transfer with roller modules

7 2 1 1 7 a Conveyor length and speed plastic chains and belts

7 2 1 4 8 a Rotating Rollers, Guide Shoes, Wearstrips & Serpentine

7 2 1 8 4 a Nosebar Transfer (only 2120)

7 2 1 4 2 a Tensioner

7 2 1 6 2 a Transfer

7 2 1 9 5 a Wearstrips



Chains & sprockets	Wear strips	Side guide brackets & accessories	Levelers	Engineering manual
Modular belts & sprockets	Chain & belt return systems	Frame & structure supports	Bearing supports	
Curves & tracks	Side guide solutions	Miscellaneous products	Equipment	



CATENARY SAG CALCULATION

The chain tension of catenary sag (F_c) can be calculated as follows:

$$F_c = \frac{L_c^2 * m_b * g}{8 * h_c}$$

$$\Delta L_c = 2.66 * \frac{L_c^2}{h_c} \text{ [m]}$$

$$\Delta hc = \sqrt{\frac{\Delta L_c * L_c}{2.66}} \text{ [m]}$$

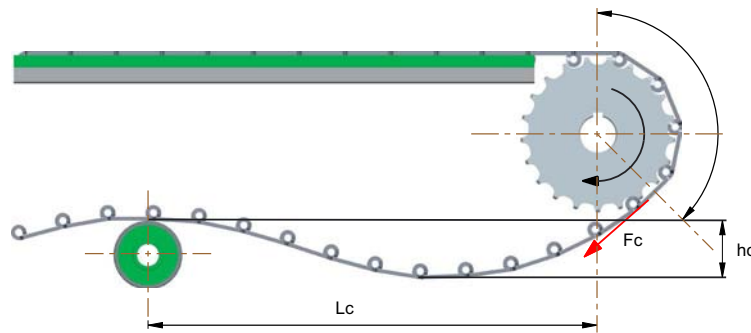
F_c = Chain tension of catenary sag [N]

L_c = Length of the sag [m]

h_c = Height of the sag [m]

m_b = Weight of chain [kg/m]

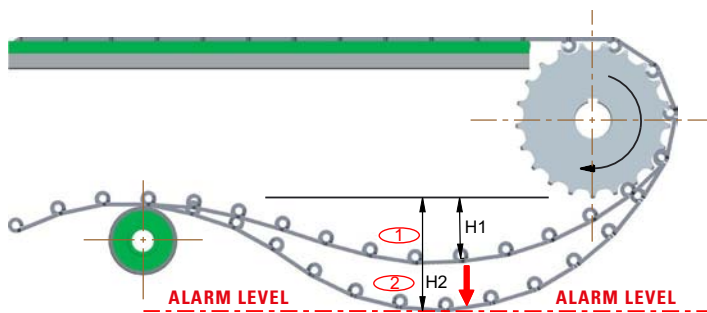
g = Acceleration factor due to gravity (9.81 m/s²)



◀ back continue ▶

CATENARY SAG MAINTENANCE

New installation: catenary sag in position 1 with sag height of H1. After some time the sag will become longer and moves to position 2 with sag height H2.



When the sag reaches level 2 - ALARM LEVEL: some modules should be taken out (shorten the belt) to get the belt back to level 1. Otherwise the belt will start running against f.e. construction parts and a proper functioning is threatened. The position of level 2 is determined by the construction of the conveyor and the available space underneath the conveyor. Level 2 should be clearly marked on the conveyor and ideally limited by an alarm/safety switch since the sag is out of normal sight.

Typically, H1 is about 100 mm and H2 around 300 mm. But this is application specific and needs to be determined by the OEM and documented on site with the End User and on the conveyor itself. The end user is responsible for monitoring the sag height to avoid damages to the belt and the installation.



◀ back continue ▶

7 2 1 1 5 a Conveyor length and speed stainless steel chains

7 2 1 1 7 a Conveyor length and speed plastic chains and belts

7 2 1 4 2 a Tensioner

7 2 1 4 4 a Return part construction

7 2 1 4 8 a Rotating Rollers, Guide Shoes, Wearstrips & Serpentine

7 2 1 6 2 a Transfer

7 2 1 7 2 a Head to tail transfer with roller modules

7 2 1 8 4 a Nosebar Transfer (only 2120)

7 2 1 9 5 a Wearstrips

Chains & sprockets	Wear strips	Side guide brackets & accessories	Levelers	Engineering manual
Modular belts & sprockets	Chain & belt return systems	Frame & structure supports	Bearing supports	
Curves & tracks	Side guide solutions	Miscellaneous products	Equipment	

7 2 1 4 2 a

TENSIONER

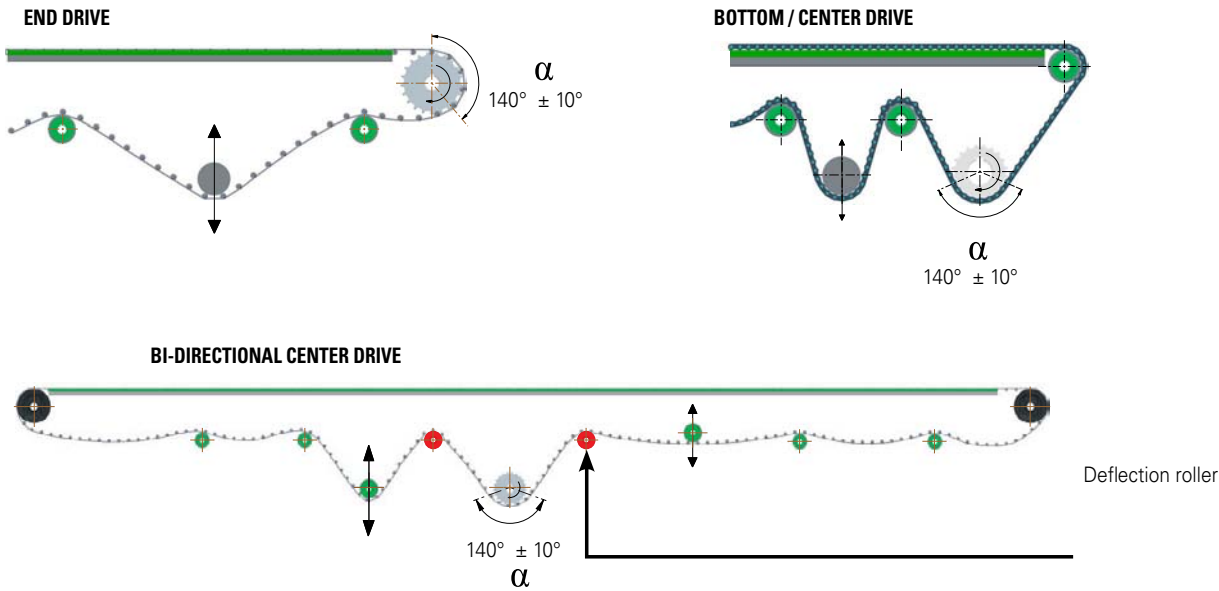
CONSTRUCTION RECOMMENDATIONS



If no proper catenary sag construction is possible, e.g. in case of insufficient space, tensioners must be used.

The tensioner should be located at drive side close to the drive. If no room directly at the drive, it can be put a bit further in the return but the tensioner needs to compensate for that.

◀ back continue ▶



Index return systems.
Go to product page:

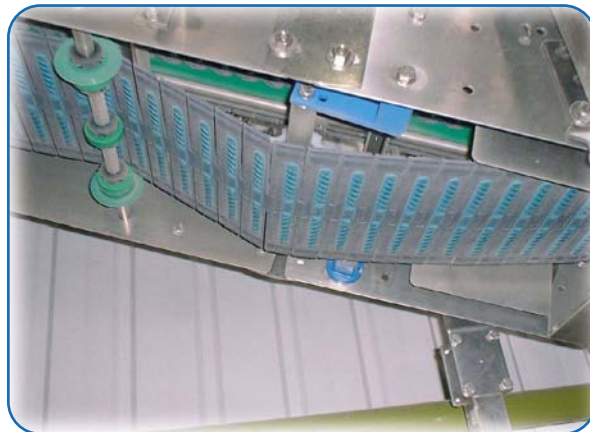
5 1 0 1 0 a

The tensioning force should be between (gravity take up): 50 - 100 N (11.24 - 22.48 lbs.) per belt meter width and 10 - 20 N (2.24 - 4.49 lbs.) per chain strand depending on the load and the layout.

Over-tightening the chain/belt with the tensioner will lead to high hinge tension, which causes an increase of load on link load and fast wear rate on the hinge.



COMMON TENSIONER



COMMON TENSIONER



CONSTRUCTION DETAILS - General index 7 2 1 1 0 a -

◀ back continue ▶

7 2 1 1 5 a Conveyor length and speed stainless steel chains

7 2 1 4 4 a Return part construction

7 2 1 7 2 a Head to tail transfer with roller modules

7 2 1 1 7 a Conveyor length and speed plastic chains and belts

7 2 1 4 8 a Rotating Rollers, Guide Shoes, Wearstrips & Serpentine

7 2 1 8 4 a Nosebar Transfer (only 2120)

7 2 1 4 0 a Construction recommendations

7 2 1 6 2 a Transfer

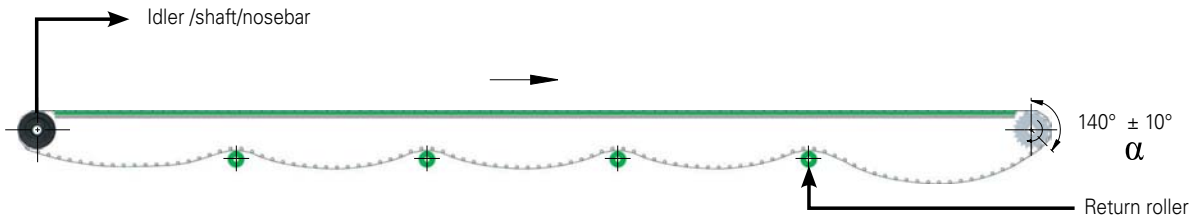
7 2 1 9 5 a Wearstrips



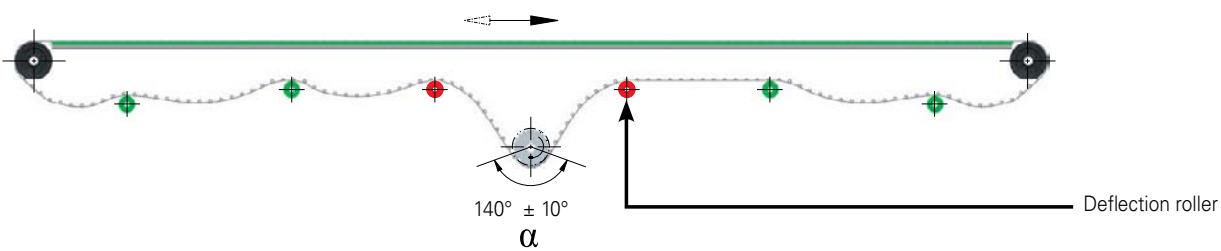
Chains & sprockets	Wear strips	Side guide brackets & accessories	Levelers	Engineering manual
Modular belts & sprockets	Chain & belt return systems	Frame & structure supports	Bearing supports	
Curves & tracks	Side guide solutions	Miscellaneous products	Equipment	



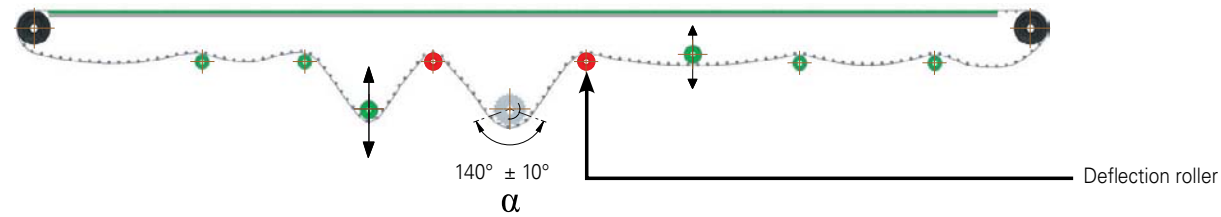
◀ back continue ▶



Index return systems.
Go to product page:
5 1 0 1 0 a



Return part construction - belts.
Go to:
7 2 1 4 6 a



RECOMMENDED ROLLER DIAMETERS:

ROLLER TYPE	CHAINS (mm)	
	LBP (1)	OTHER VERSIONS
Idler	> 100 (3.94")	
Return	Guide shoes	> 50 (1.97")
Deflection	> 270 (10.63")	> 50 (1.97")

(1) LBP is not recommended for use with a bottom center drive due to the large minimum backflex diameter required.

Roller diameter must be larger than the minimum backflex radius of the chain/belt being used - especially for the first few rollers after the drive or for a deflection roller.

Please refer to page **7 2 1 4 0 b** for recommended roller distance.



◀ back continue ▶

7 2 1 1 5 a Conveyor length and speed stainless steel chains

7 2 1 4 2 a Tensioner

7 2 1 7 2 a Head to tail transfer with roller modules

7 2 1 1 7 a Conveyor length and speed plastic chains and belts

7 2 1 4 8 a Rotating Rollers, Guide Shoes, Wearstrips & Serpentine

7 2 1 8 4 a Nosebar Transfer (only 2120)

7 2 1 4 0 a Construction recommendations

7 2 1 6 2 a Transfer

7 2 1 9 5 a Wearstrips



Chains & sprockets	Wear strips	Side guide brackets & accessories	Levelers	Engineering manual
Modular belts & sprockets	Chain & belt return systems	Frame & structure supports	Bearing supports	
Curves & tracks	Side guide solutions	Miscellaneous products	Equipment	

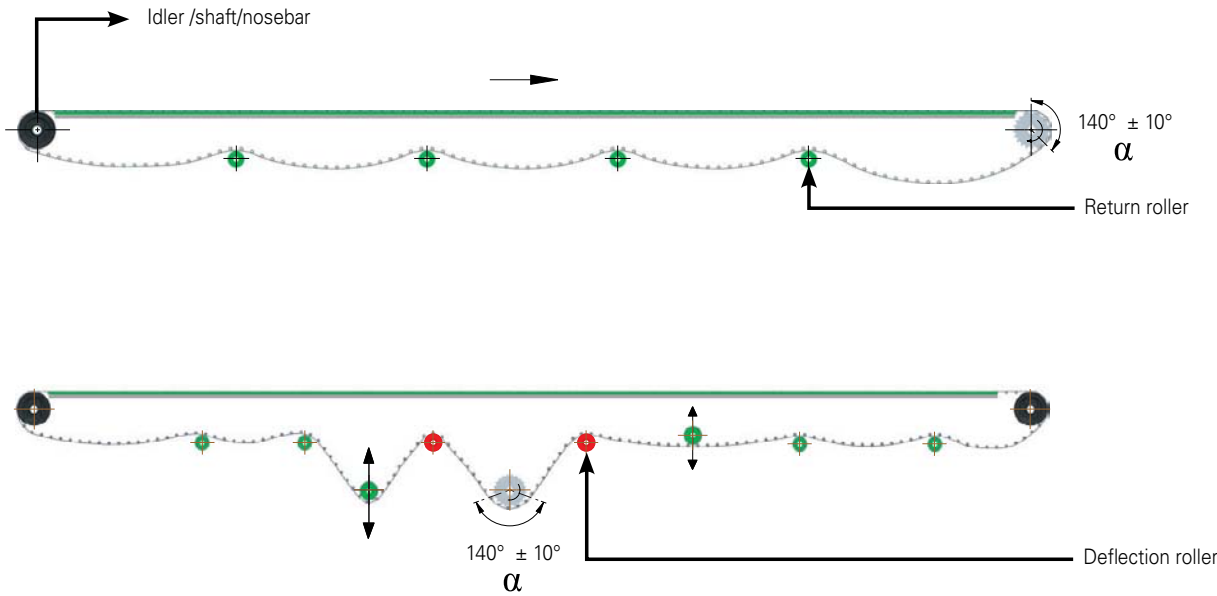
7 2 1 4 6 a

RETURN PART CONSTRUCTION OF BELTS

CONSTRUCTION RECOMMENDATIONS



◀ back



Index return systems. Go to product page:

5 1 0 1 0 a

Return part construction - chains. Go to:

7 2 1 4 4 a

RECOMMENDED ROLLER DIAMETERS:

ROLLER TYPE	BELTS (mm)							
	1/2" PITCH		3/4" PITCH	1" PITCH		1 1/4"	2" PITCH	2.5" PITCH
	LBP	OTHER VERSIONS	OTHER VERSIONS	LBP	OTHER VERSIONS	POWERFLEX™	2500RR AND 2508 SERIES	2630 SERIE
Idler	> 19 (0.75")		> 40 (1.58")	> 50 (1.97")		> 100 (3.94")	> 150 (2.95") (1) > 110 (4.3") (2)	> 120 (4.7")
Return	Guide shoes	> 50 (1.97")	> 50 (1.97")	Guide shoes	> 50 (1.97")	> 60 (2.36")	> 150 (2.95") (1) > 110 (4.3") (2)	> 120 (4.7")
Deflection	>270 (10.63")	>50 (1.97")	>60 (2.36")	> 270 (10.63")	> 80 (3.15")	> 80 (3.15")	> 130 (5.11") (1) > 90 (3.54") (2)	> 100 (3.9")

(1) for belt series 2500RR

(2) for belt series 2508

Roller diameter must be larger than the minimum backflex radius of the chain/belt being used - especially for the first few rollers after the drive.

The distance between return rollers is according to the length and speed of the conveyor. Please refer to **7 2 1 4 0 b** for roller distance.



CONSTRUCTION DETAILS - General index **7 2 1 1 0 a** -

◀ back

7 2 1 1 5 a Conveyor length and speed stainless steel chains

7 2 1 4 2 a Tensioner

7 2 1 7 2 a Head to tail transfer with roller modules

7 2 1 1 7 a Conveyor length and speed plastic chains and belts

7 2 1 4 8 a Rotating Rollers, Guide Shoes, Wearstrips & Serpentine

7 2 1 8 4 a Nosebar Transfer (only 2120)

7 2 1 4 0 a Construction recommendations

7 2 1 6 2 a Transfer

7 2 1 9 5 a Wearstrips



Chains & sprockets	Wear strips	Side guide brackets & accessories	Levelers	Engineering manual
Modular belts & sprockets	Chain & belt return systems	Frame & structure supports	Bearing supports	
Curves & tracks	Side guide solutions	Miscellaneous products	Equipment	



continue ▶

Index return systems.
Go to product page:

5 1 0 1 0 a

Guide shoe.
Go to:

7 2 1 5 3 a

Roller chains/belt with high friction surface.
Go to:

7 2 1 5 2 a

Wearstrips serpentine system.
Go to:

7 2 1 5 6 a



- Free rotation required
- Larger diameters recommended
- Reduced wear of chain/belt
- Debris is ejected
- Reduced noise with rubber surface
- Improved grip with rubber surface

RETURN ROLLER POSITION AND QUANTITY ALONG THE SHAFT

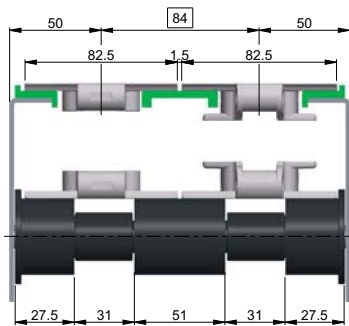
There are several configurations of return rollers possible depending on the dimensions, the type of chain/belt etc.

Examples of return roller options

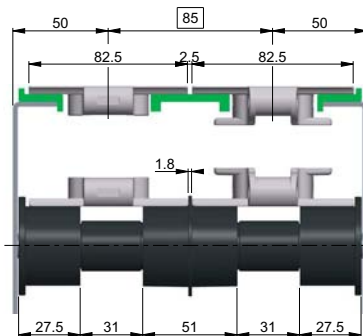
1- Roller + Spacer:

Chain return roller index go to

5 1 0 2 0 a **5 1 0 6 0 a**



Chain width	K325 (82.5 mm)
Track pitch	84 mm
Flanged return roller width	27.5 mm
Spacer	31 mm
Gap	1.5 mm
Return roller	51 mm
Qty spacer = number of tracks	
Qty return roller = number of tracks - 1;	
Qty flanged return roller = 2;	



Chain width	K325 (82.5 mm)
Track pitch	85 mm
Flanged return roller width	27.5 mm
Spacer	31 mm
Return roller center flange	51 mm
Gap	2.5 mm
Qty spacer = number of tracks	
Qty return roller = number of tracks - 1;	
Qty flanged return roller = 2;	



CONSTRUCTION DETAILS - General index **7 2 1 1 0 a** -

continue ▶

7 2 1 1 5 a Conveyor length and speed stainless steel chains

7 2 1 4 2 a Tensioner

7 2 1 7 2 a Head to tail transfer with roller modules

7 2 1 1 7 a Conveyor length and speed plastic chains and belts

7 2 1 4 4 a Return part construction

7 2 1 8 4 a Nosebar Transfer (only 2120)

7 2 1 4 0 a Construction recommendations

7 2 1 6 2 a Transfer

7 2 1 9 5 a Wearstrips



Chains & sprockets	Wear strips	Side guide brackets & accessories	Levelers	Engineering manual
Modular belts & sprockets	Chain & belt return systems	Frame & structure supports	Bearing supports	
Curves & tracks	Side guide solutions	Miscellaneous products	Equipment	

7 2 1 4 9 a

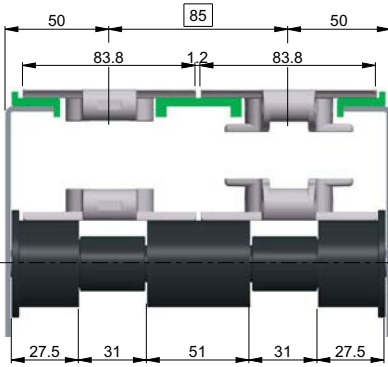
RETURN ROLLERS

CONSTRUCTION RECOMMENDATIONS

1- Roller + Spacer (continue...)



◀ back continue ▶



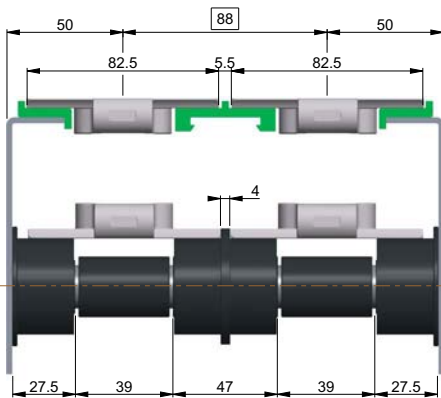
Chain width	K330 (83.8 mm)
Track pitch	85 mm
Flanged return roller width	27.5 mm
Spacer	31 mm
Return roller center flange	51 mm
Gap	1.2 mm
Qty spacer = number of tracks	
Qty return roller = number of tracks - 1;	
Qty flanged return roller = 2;	

Index return systems.
Go to product page:
5 1 0 1 0 a

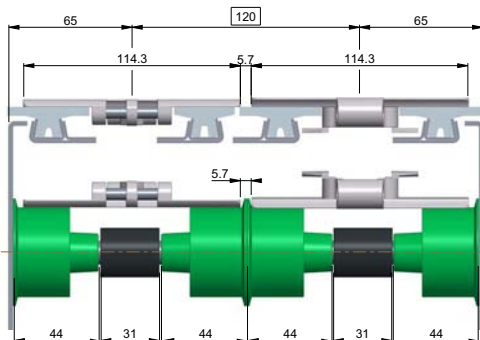
Roller chains/belt with high friction surface.
Go to:
7 2 1 5 2 a

Guide shoe.
Go to:
7 2 1 5 3 a

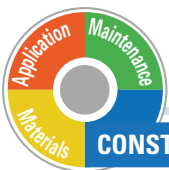
Wearstrips serpentine system.
Go to:
7 2 1 5 6 a



Chain width	K325 (82.5 mm)
Track pitch	88 mm
Flanged return roller width	27.5 mm
Spacer	39 mm
Return roller center flange	47 mm
Gap	5.5 mm
Qty spacer = number of tracks	
Qty return roller = number of tracks - 1;	
Qty flanged return roller = 2;	



Chain width	K450 (114.3 mm)
Track pitch	120 mm
Flanged return roller width	44 mm
Spacer	31 mm
Gap	5.7 mm
Qty spacer = number of tracks	
Qty flanged return roller = 2 x number of tracks;	



CONSTRUCTION DETAILS - General index 7 2 1 1 0 a -

◀ back continue ▶

7 2 1 1 5 a Conveyor length and speed stainless steel chains

7 2 1 4 2 a Tensioner

7 2 1 7 2 a Head to tail transfer with roller modules

7 2 1 1 7 a Conveyor length and speed plastic chains and belts

7 2 1 4 4 a Return part construction

7 2 1 8 4 a Nosebar Transfer (only 2120)

7 2 1 4 0 a Construction recommendations

7 2 1 6 2 a Transfer

7 2 1 9 5 a Wearstrips



Chains & sprockets	Wear strips	Side guide brackets & accessories	Levelers	Engineering manual
Modular belts & sprockets	Chain & belt return systems	Frame & structure supports	Bearing supports	
Curves & tracks	Side guide solutions	Miscellaneous products	Equipment	

7 2 1 5 0 a

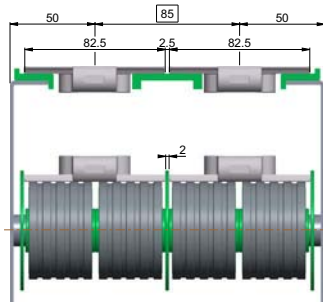
RETURN ROLLERS

CONSTRUCTION RECOMMENDATIONS

2- Double roller:

Chain/belt return roller index go to

5 1 0 5 0 a



Chain width	K325 (82.5 mm)
Track pitch	85 mm
Return roller width	40.5/43 mm
Gap	2.5 mm
Qty return roller = 2 x number of tracks;	
Not suitable for chain with K330 and pitch 85 mm.	
Full width roller and rubber coated is recommended to be sure they keep rotating especially without lube.	



◀ back continue ▶

Index return systems.

Go to product page:

5 1 0 1 0 a

Roller chains/belt with high friction surface.

Go to:

7 2 1 5 2 a

Guide shoe.

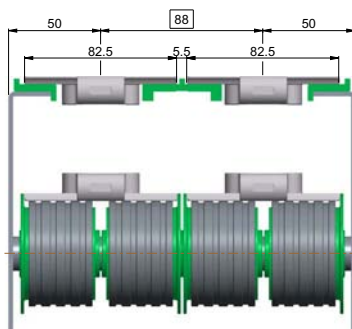
Go to:

7 2 1 5 3 a

Wearstrips serpentine system.

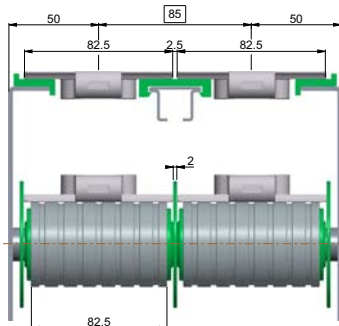
Go to:

7 2 1 5 6 a



Chain width	K325 (82.5 mm)
Track pitch	88 mm
Flanged return roller width	43 mm
Gap	5.5 mm
Qty flanged return roller = 2 x number of tracks;	

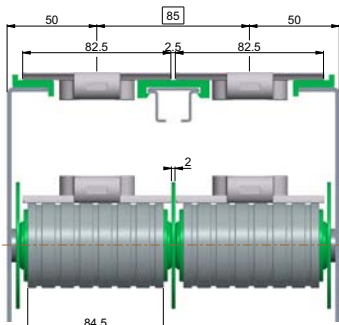
3a- Single roller with flange:



Chain return roller index go to

5 1 0 8 0 a 5 1 1 1 0 a

Chain width	K325 (82.5 mm)
Track pitch	85 mm
Flanged return roller width	82.5 mm
Gap	2.5 mm
Qty flanged return roller = number of tracks;	



Chain width	K325 (82.5 mm)
Track pitch	85 mm
Flanged return roller width	84.5 mm
Gap	2.5 mm
Qty flanged return roller = number of tracks;	



CONSTRUCTION DETAILS - General index **7 2 1 1 0 a** -

◀ back continue ▶

7 2 1 1 5 a Conveyor length and speed stainless steel chains

7 2 1 4 2 a Tensioner

7 2 1 7 2 a Head to tail transfer with roller modules

7 2 1 1 7 a Conveyor length and speed plastic chains and belts

7 2 1 4 4 a Return part construction

7 2 1 8 4 a Nosebar Transfer (only 2120)

7 2 1 4 0 a Construction recommendations

7 2 1 6 2 a Transfer

7 2 1 9 5 a Wearstrips



Chains & sprockets	Wear strips	Side guide brackets & accessories	Levelers	Engineering manual
Modular belts & sprockets	Chain & belt return systems	Frame & structure supports	Bearing supports	
Curves & tracks	Side guide solutions	Miscellaneous products	Equipment	



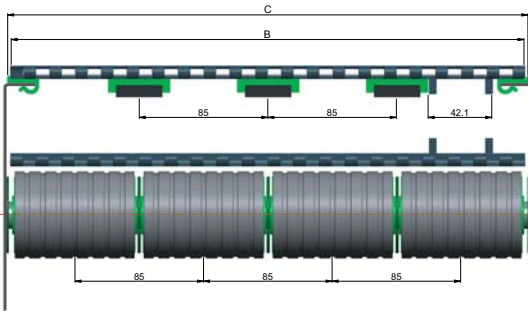
◀ back continue ▶

3b- Single return roller - Belt

Roller diameter must be larger than the minimum backflex radius of the belt. Please refer to page **7 2 1 4 6 a** for the minimum roller diameter recommended according to belt pitch.

The suitable roller width is according to the application and the conveyor manufacturer design practice/standard.

In between the rollers and between roller and conveyor frame we recommend to install spacers or use roller with flange.



Conveyor width (C)	344 mm
Belt width (B)	340 mm
Pitch of roller and wearstrips	85 mm
Return roller width	82.5-85.8 mm
Qty return roller = $340/85=4$;	
For return roller go to pages:	5 1 0 8 0 a 5 1 1 1 0 a
For space go to page:	5 1 0 9 0 a

Index return systems.
Go to product page:
5 1 0 1 0 a

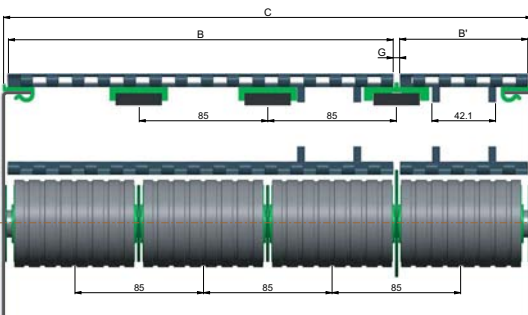
Roller chains/belt with high friction surface.
Go to:
7 2 1 5 2 a

Guide shoe.
Go to:
7 2 1 5 3 a

Wearstrips serpentine system.
Go to:
7 2 1 5 6 a

3c- Single return roller with flange - Belt

When two adjacent belts are running at different speed, it's recommended to avoid any contact between the belts by providing a flange or spacer. The return roller with flange is specially designed to avoid this contact and improve belts service life by limiting the wear due to the contact itself.



Conveyor width (C)	348 mm
Belt width (B)	255 mm
Belt width (B')	85 mm
Gap (G)	2.5 mm
Pitch of roller and wearstrips	85 mm
Return roller width	82.5-85.8 mm
Qty return roller = $340/85=4$;	
For return roller go to pages:	5 1 0 8 0 a 5 1 1 1 0 a
For space go to page :	5 1 0 9 0 a

Return roller with rubber vs return roller plain plastic.

	PRO	CONTRA
Return roller with rubber	Rotate always noise absorbent	Expensive
Return roller plain plastic	Economical choice	Noise - may not offer appropriate rotation



◀ back continue ▶



Chains & sprockets	Wear strips	Side guide brackets & accessories	Levelers	Engineering manual
Modular belts & sprockets	Chain & belt return systems	Frame & structure supports	Bearing supports	
Curves & tracks	Side guide solutions	Miscellaneous products	Equipment	

7 2 1 5 2 a

RETURN ROLLERS
CONSTRUCTION RECOMMENDATIONS



◀ back continue ▶

RETURN ROLLER FOR CHAINS/BELTS WITH HIGH FRICTION SURFACE:

The return section of the conveyor can be constructed using standard wearstrips or return rollers to support the chain on its return. Return rollers to be positioned at the side of the chain to avoid damage of the rubber top (see below picture). For wider chain or belt, central roller can be positioned in the middle where the rubber is thinner.

In case of rubber top belt, return roller to be positioned at the side or/and internal indent. Return roller width should be less than the side indent dimensions. Under no circumstances should a rubber-top belt be returned on a sliding bed which makes contact with the rubber surface.



For this return rollers index index,
Go to product page:

5 1 0 4 0 a

Return roller.
Go to:

7 2 1 4 8 a

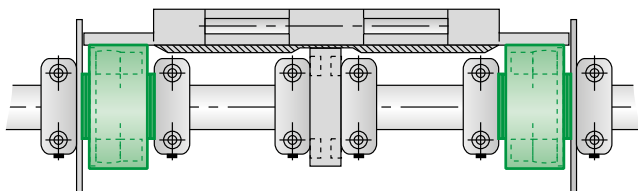
Guide shoe.
Go to:

7 2 1 5 3 a

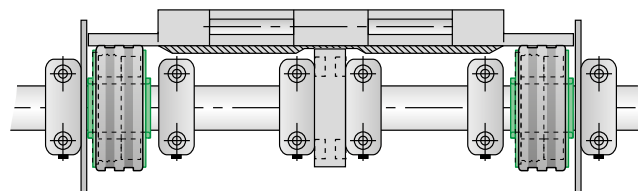
Wearstrips serpentine system.
Go to:

7 2 1 5 6 a

How to position the return roller in respect to chain rubber surface:



- Compact
- High speed flat guiding



CONSTRUCTION DETAILS - General index **7 2 1 1 0 a** -

◀ back continue ▶

7 2 1 1 5 a Conveyor length and speed stainless steel chains

7 2 1 4 2 a Tensioner

7 2 1 7 2 a Head to tail transfer with roller modules

7 2 1 1 7 a Conveyor length and speed plastic chains and belts

7 2 1 4 4 a Return part construction

7 2 1 8 4 a Nosebar Transfer (only 2120)

7 2 1 4 0 a Construction recommendations

7 2 1 6 2 a Transfer

7 2 1 9 5 a Wearstrips

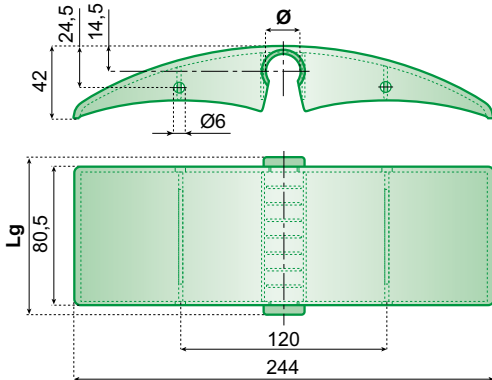


Chains & sprockets	Wear strips	Side guide brackets & accessories	Levelers	Engineering manual
Modular belts & sprockets	Chain & belt return systems	Frame & structure supports	Bearing supports	
Curves & tracks	Side guide solutions	Miscellaneous products	Equipment	



◀ back continue ▶

1 - LBP CHAIN/BELT GUIDE SHOE



Functional radius = 10.63"

Metric radius = 270 mm

Width Lg = 84, 85, 88 mm

- Suitable for LBP chains/belts.
- Debris is ejected.
- Low noise version available.



For the guide shoe,
Go to product page:

5 1 1 7 0 a

Return roller.

Go to:

7 2 1 4 8 a

Guide shoe.

Go to:

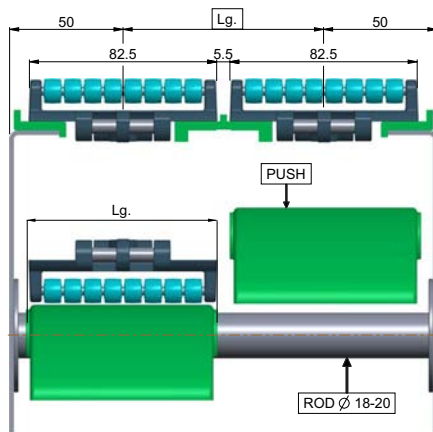
7 2 1 5 3 a

Wearstrips
serpentine system.

Go to:

7 2 1 5 6 a

1a- LBP chain/belt guide shoe position and quantity along the shaft



LBP chain width	82.5 mm
Track pitch	Lg
Guide shoe width	Lg
Gap	5.5 mm
Qty guide shoe = number of tracks;	
Lg: 84 or 85 or 88 mm	



◀ back continue ▶

7 2 1 1 5 a Conveyor length and speed stainless steel chains

7 2 1 4 2 a Tensioner

7 2 1 7 2 a Head to tail transfer with roller modules

7 2 1 1 7 a Conveyor length and speed plastic chains and belts

7 2 1 4 4 a Return part construction

7 2 1 8 4 a Nosebar Transfer (only 2120)

7 2 1 4 0 a Construction recommendations

7 2 1 6 2 a Transfer

7 2 1 9 5 a Wearstrips



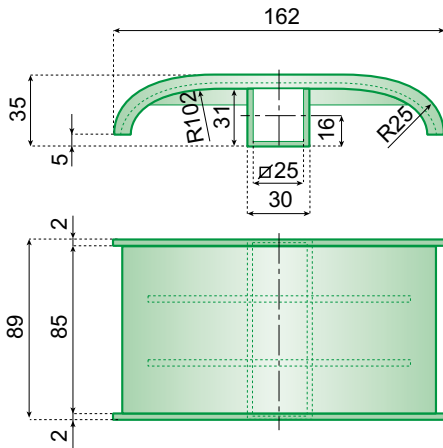
Chains & sprockets	Wear strips	Side guide brackets & accessories	Levelers	Engineering manual
Modular belts & sprockets	Chain & belt return systems	Frame & structure supports	Bearing supports	
Curves & tracks	Side guide solutions	Miscellaneous products	Equipment	



2- CHAIN GUIDE SHOE

Used also to guide the chain horizontally

◀ back continue ▶



Functional radius = 4.01"
 Metric radius = 102 mm
 Width = 89 mm
 • Suitable for chains

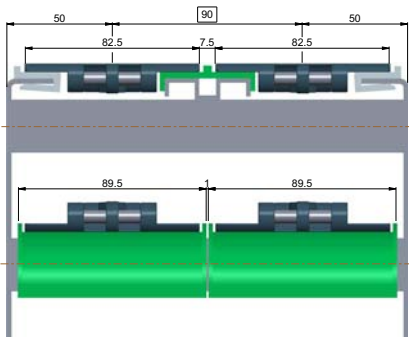
For the guide shoe,
 Go to product page:
5 1 1 7 0 a

Return roller.
 Go to:
7 2 1 4 8 a

Guide shoe.
 Go to:
7 2 1 5 3 a

Wearstrips
 serpentine system.
 Go to:
7 2 1 5 6 a

2a- Chain guide position and quantity along the shaft



Chain width	82.5 mm
Track pitch	90 mm
Guide shoe width	89 mm
Gap	7.5 mm
Qty guide shoe = number of tracks;	



Chains & sprockets	Wear strips	Side guide brackets & accessories	Levelers	Engineering manual
Modular belts & sprockets	Chain & belt return systems	Frame & structure supports	Bearing supports	
Curves & tracks	Side guide solutions	Miscellaneous products	Equipment	



◀ back continue ▶

WEARSTRIPS SERPENTINE SYSTEM

The serpentine systems increase the service life of chains/belts and provide increased chain/belt stability at higher speeds. Serpentine systems permit high speed operation by eliminating the pulsation inherent to some return rollers. Serpentine returns also spread the wear across the surface of the chain or belt, providing trouble-free service and increased service life. Return rollers can cause dishing, if they do not turn freely and the chain/belt slides across the surface. Dishing will make the contact surface inconsistent, causing product handling issues. In-line returns will cut grooves into the surface of the chain or belt, which will lead to product handling problems and premature chain failure.

For serpentine components index, Go to product page:
5 1 1 2 0 a

SYSTEM CONSIDERATIONS	RETURN ROLLER	SERPENTINE (VALUFLEX™)
Cost-effective / labor saving	✓	✓
Flexible design / standard parts	✓	✓
Trouble free / secure		✓
Guaranteed / materials		✓
Long life / lower chain wear		✓
Low / no maintenance		✓
Stable at high speeds		✓
Universal belt compatibility	✓	✓
Industry proven reliable	✓	✓

Return roller. Go to:

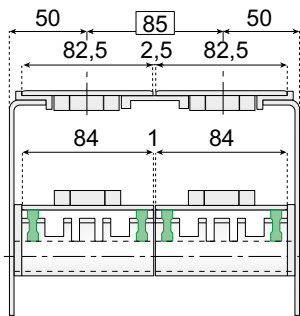
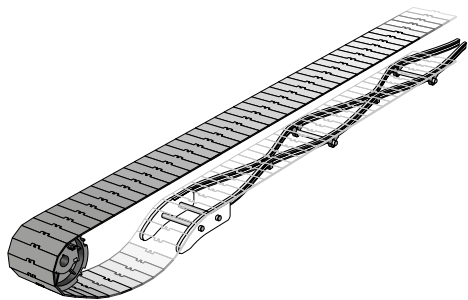
7 2 1 4 8 a

Guide shoe. Go to:

7 2 1 5 3 a

1- CHAIN WITH SERPENTINE SYSTEM

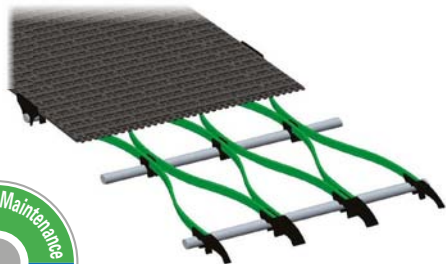
Serpentine systems are used on the return part of conveyors chains



Serpentine returns are not recommended for rubber top or LBP chain/belt

2- BELT WITH SERPENTINE SYSTEM

Serpentine systems are used on the top and the return part of conveyors belts.



Serpentine carry support system is not recommended for belt with positioner. Serpentine returns are not recommended for rubber top or LBP chain/belt.



CONSTRUCTION DETAILS - General index 7 2 1 1 0 a -

◀ back continue ▶

7 2 1 1 5 a Conveyor length and speed stainless steel chains

7 2 1 4 2 a Tensioner

7 2 1 7 2 a Head to tail transfer with roller modules

7 2 1 1 7 a Conveyor length and speed plastic chains and belts

7 2 1 4 4 a Return part construction

7 2 1 8 4 a Nosebar Transfer (only 2120)

7 2 1 4 0 a Construction recommendations

7 2 1 6 2 a Transfer

7 2 1 9 5 a Wearstrips



Chains & sprockets	Wear strips	Side guide brackets & accessories	Levelers	Engineering manual
Modular belts & sprockets	Chain & belt return systems	Frame & structure supports	Bearing supports	
Curves & tracks	Side guide solutions	Miscellaneous products	Equipment	



◀ back

3- SERPENTINE SYSTEM INSTALLATION

1. Install all Sticker/Snaplock™ clips (C) and appropriate spacers on the cross rods.
2. Install all cross rods (with attached Snaplock clips and appropriate spacers) except the ones positioning the return shoes
3. Thread the ValuFlex™ serpentine profiles (D) through the conveyor frame and fasten the profiles to the return shoes (A)
4. Mount shoes (A) on the appropriate cross rods and fasten the rods in place
5. Starting at the return shoe, move to the next cross rod and snap the serpentine profile into the clips. If intermediate Spacer/Pinchlock™ clip (B) are being used, install the first one row between the return shoe (s) and the first cross rod / Snaplock assembly.
6. Repeat this process, first installing the profile into the next cross rod / Snaplock clip assembly and then installing a Pinchlock clip between two new secured rod locations

For serpentine components index, Go to product page:

5 1 1 2 0 a

Return roller.

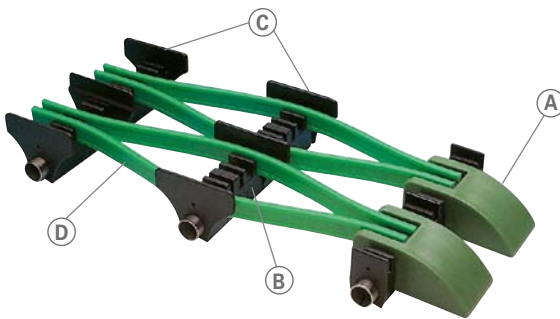
Go to:

7 2 1 4 8 a

Guide shoe.

Go to:

7 2 1 5 3 a



POS.	COMPONENTS
(A)	Shoe wearstrip. See at page 5 1 1 5 0 a Sliding shoe. See at page 5 1 1 5 0 a 5 1 1 6 0 a
(B)	Spacer. See at page 5 1 1 5 0 a 5 1 1 2 0 a Washer. See at page 5 1 1 6 0 a
(C)	Stricker. See at page 5 1 1 3 0 a
(D)	Profile. See at page 5 1 1 2 0 a



◀ back



Chains & sprockets	Wear strips	Side guide brackets & accessories	Levelers	Engineering manual
Modular belts & sprockets	Chain & belt return systems	Frame & structure supports	Bearing supports	
Curves & tracks	Side guide solutions	Miscellaneous products	Equipment	

7 2 1 6 2 a

SIDE TRANSFER

TRANSFERS

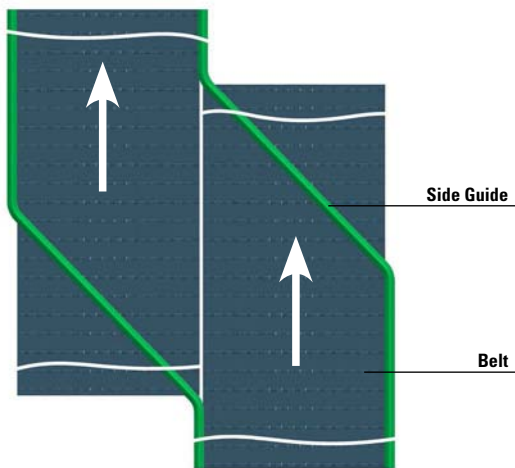
There are different ways of transferring products from one conveyor onto the next. This is depending on layout, available space, type of product, lubrication, self-clearing products etc.



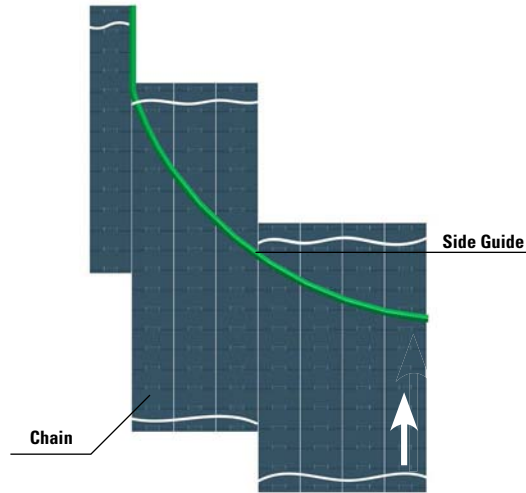
continue ▶

SIDE TRANSFER (SEE BELOW):

①



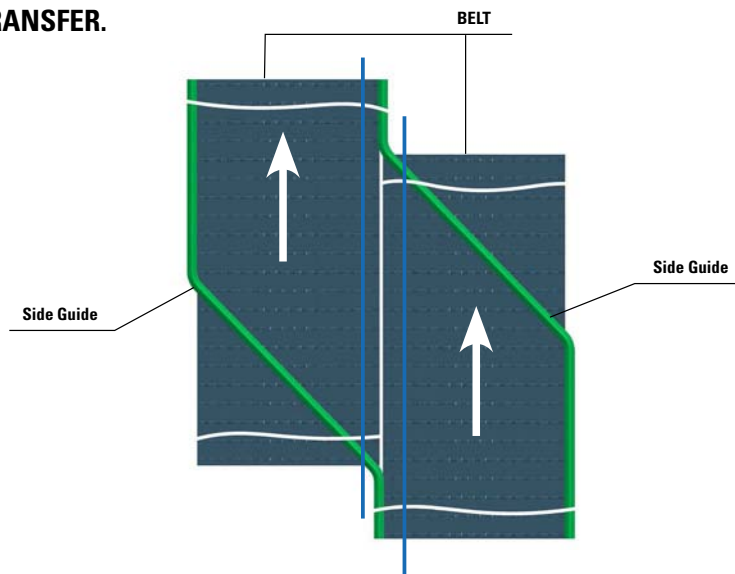
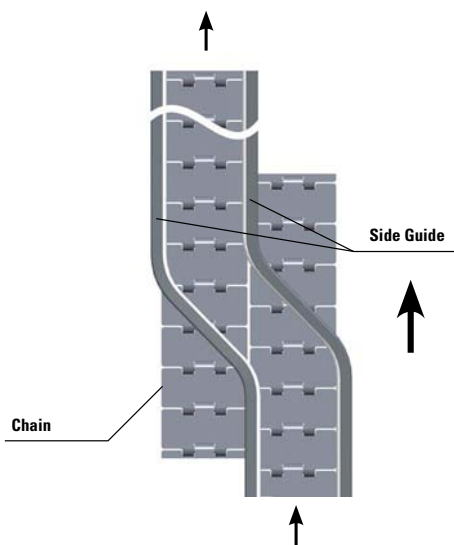
②



Transfer with belts.
Go to:

7 2 1 6 6 a

THE MOST COMMON TRANSFER IS THE SIDE TRANSFER.



In this situation, the products are pushed sideward onto the next conveyor by the guide rail.

Consequently, there's force on the chain/belt perpendicular to the direction of travel. Therefore, the chain/belt needs to be guided in the track to keep it from moving sideways.

With chains this can be done against the side of the hinge where the pin is inserted. With belts this can be done with positioners **7 2 1 7 0 a** or lipped wearstrips.



CONSTRUCTION DETAILS - General index 7 2 1 1 0 a -

continue ▶

7 2 1 1 5 a Conveyor length and speed stainless steel chains

7 2 1 4 2 a Tensioner

7 2 1 7 2 a Head to tail transfer with roller modules

7 2 1 1 7 a Conveyor length and speed plastic chains and belts

7 2 1 4 4 a Return part construction

7 2 1 8 4 a Nosebar Transfer (only 2120)

7 2 1 4 0 a Construction recommendations

7 2 1 4 8 a Rotating Rollers, Guide Shoes, Wearstrips & Serpentine

7 2 1 9 5 a Wearstrips

Chains & sprockets	Wear strips	Side guide brackets & accessories	Levelers	Engineering manual
Modular belts & sprockets	Chain & belt return systems	Frame & structure supports	Bearing supports	
Curves & tracks	Side guide solutions	Miscellaneous products	Equipment	

7 2 1 6 3 a

SIDE TRANSFER

TRANSFERS



◀ back continue ▶

SAFE TRANSFER

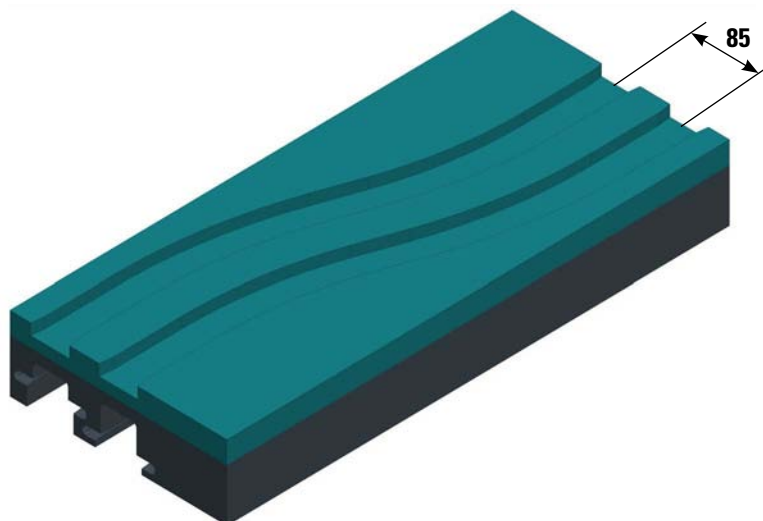
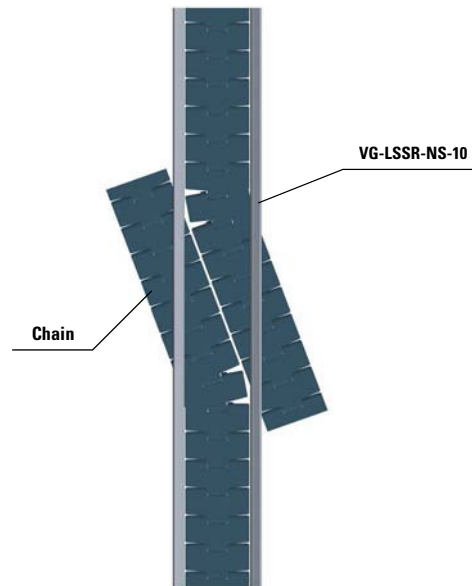
This transfer guarantees a safe and smooth transfer for unstable products. It allows the product to continue straight along its original path of travel without requiring it to shift across the conveyor width. Side-flexing chains or belts are required for this configuration.

Can be used for difficult square or oval products. It reduces the pressure on the products while going over the transfer.

Another advantage is no stranded product.

Transfer with belts.
Go to:

7 2 1 6 6 a



CONSTRUCTION DETAILS - General index **7 2 1 1 0 a** -

◀ back continue ▶

7 2 1 1 5 a Conveyor length and speed stainless steel chains

7 2 1 4 2 a Tensioner

7 2 1 7 2 a Head to tail transfer with roller modules

7 2 1 1 7 a Conveyor length and speed plastic chains and belts

7 2 1 4 4 a Return part construction

7 2 1 8 4 a Nosebar Transfer (only 2120)

7 2 1 4 0 a Construction recommendations

7 2 1 4 8 a Rotating Rollers, Guide Shoes, Wearstrips & Serpentine

7 2 1 9 5 a Wearstrips



Chains & sprockets	Wear strips	Side guide brackets & accessories	Levelers	Engineering manual
Modular belts & sprockets	Chain & belt return systems	Frame & structure supports	Bearing supports	
Curves & tracks	Side guide solutions	Miscellaneous products	Equipment	

7 2 1 6 4 a

90° TRANSFER

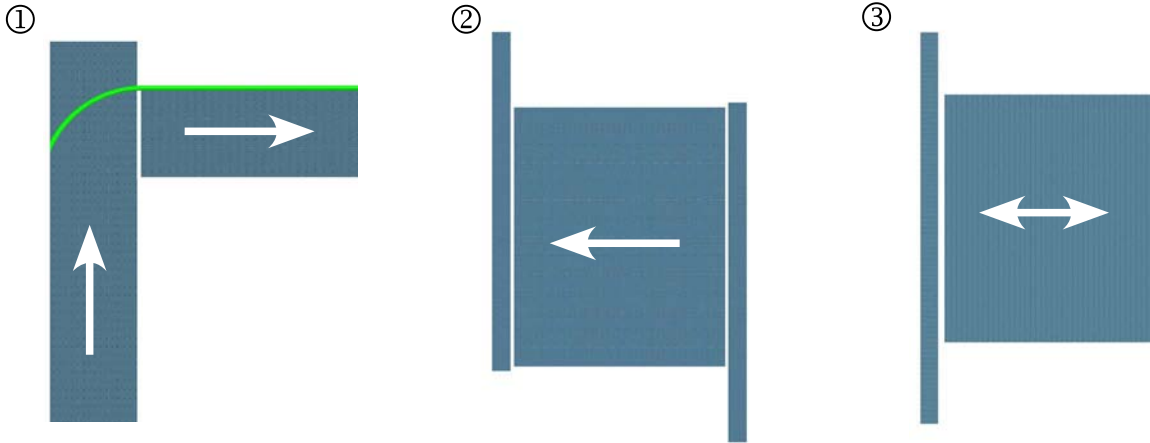
TRANSFERS



To make a 90° turn in a configuration where there is not a large footprint, a **SQUARE TRANSFER** can be used (fig. 1 & 2). SQUARE TRANSFER is also used in case of an off-line accumulation table (fig. 3).

◀ back continue ▶

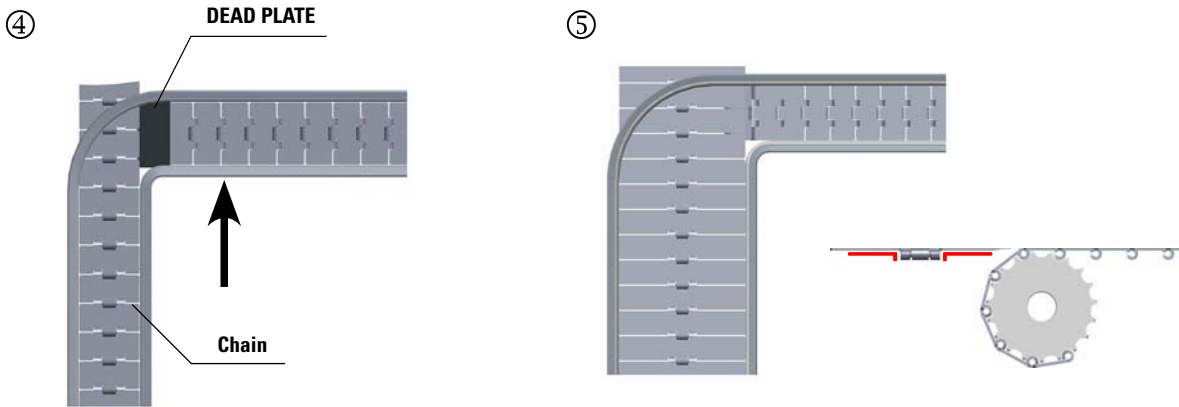
90° TRANSFER



Transfer with belts.
Go to:

7 2 1 6 6 a

The transfer can be done with a dead plate (fig. 4) or active transfer wing (fig. 5).

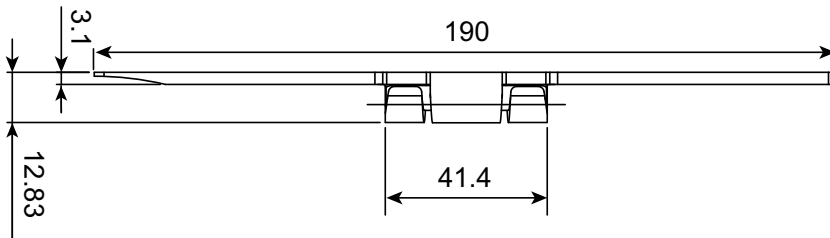


Using the System Plast active transfer wing will eliminate the need for a dead plate and prevent product from being stranded or left behind at a 90° transfer. (Image 5)

Stainless steel chain with a transfer wing is available only with K750, either left or right side:

Left transfer wing: SSE815-K750HB-TL, width 190.5 mm (7.5 in)

Right transfer wing: SSE815-K750HB-TR, width 190.5 mm (7.5 in)



For further details on belt with active transfer wing, please refer to section **7 2 1 6 6 a** **7 2 1 6 8 a**



CONSTRUCTION DETAILS - General index **7 2 1 1 0 a** -

◀ back continue ▶

7 2 1 1 5 a Conveyor length and speed stainless steel chains

7 2 1 4 2 a Tensioner

7 2 1 7 2 a Head to tail transfer with roller modules

7 2 1 1 7 a Conveyor length and speed plastic chains and belts

7 2 1 4 4 a Return part construction

7 2 1 8 4 a Nosebar Transfer (only 2120)

7 2 1 4 0 a Construction recommendations

7 2 1 4 8 a Rotating Rollers, Guide Shoes, Wearstrips & Serpentine

7 2 1 9 5 a Wearstrips



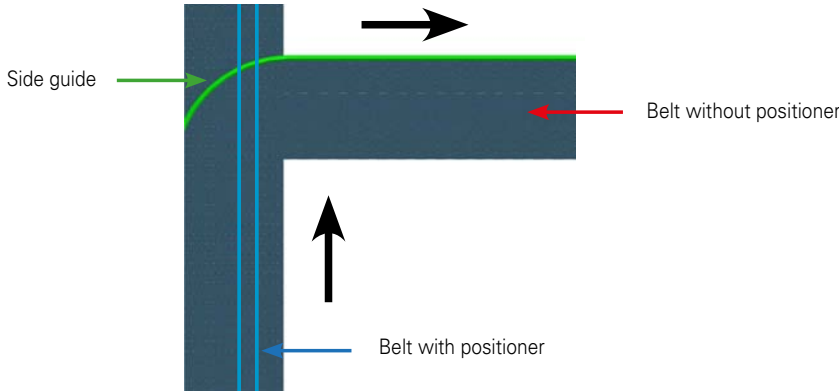
Chains & sprockets	Wear strips	Side guide brackets & accessories	Levelers	Engineering manual
Modular belts & sprockets	Chain & belt return systems	Frame & structure supports	Bearing supports	
Curves & tracks	Side guide solutions	Miscellaneous products	Equipment	

7 2 1 6 6 a

90° TRANSFER WITH BELTS

TRANSFERS

To make a 90° turn in a layout in a small footprint a SQUARE TRANSFER can be used. For instance behind a pasteurizer or bottle washer where larger pieces of glass need to be evacuated from the path.



◀ back continue ▶

Belt with transfer wing.
Go to product page:

½"	3	0	0	4	5	a
¾"	3	0	2	1	5	a
1"	3	0	3	2	0	a

Transfer.
Go to:

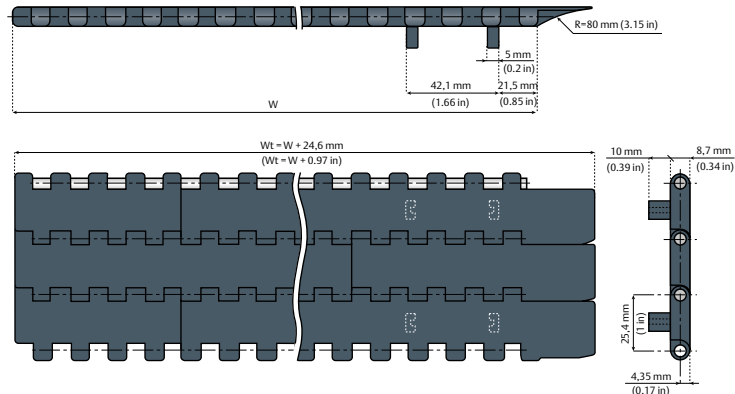
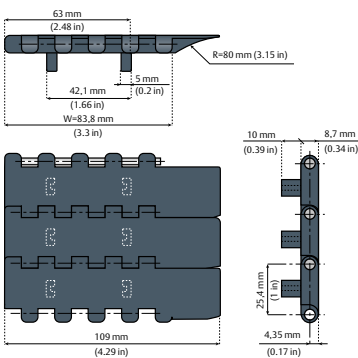
7 2 1 6 2 a

The transfer can be done with a dead plate. But the conveyor line can be made self-clearing and the pressure in the path reduced by using the System Plast active transfer wing.

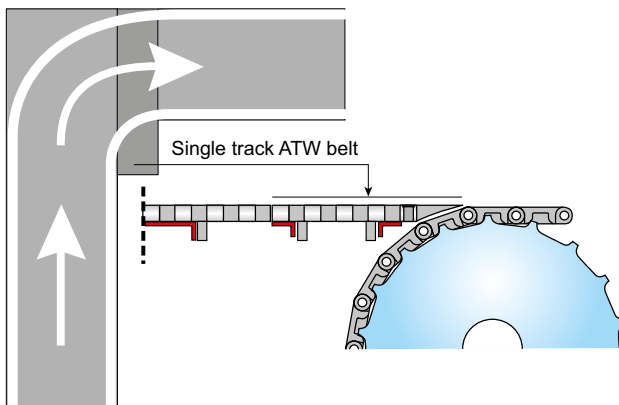
Active Transfer Wings (ATW) are available as:

SINGLE TRACK VERSION OR,

CONNECTED TO FULL WIDTH BELT



The single-track version should be positioned at the transfer section (only the last part of the conveyor) and driven by the same motor as the feeding conveyor:



CONSTRUCTION DETAILS - General index **7 2 1 1 1 0 a** -

◀ back continue ▶

7 2 1 1 1 5 a Conveyor length and speed stainless steel chains

7 2 1 4 2 a Tensioner

7 2 1 7 2 a Head to tail transfer with roller modules

7 2 1 1 1 7 a Conveyor length and speed plastic chains and belts

7 2 1 4 4 a Return part construction

7 2 1 8 4 a Nosebar Transfer (only 2120)

7 2 1 4 0 a Construction recommendations

7 2 1 4 8 a Rotating Rollers, Guide Shoes, Wearstrips & Serpentine

7 2 1 9 5 a Wearstrips



Chains & sprockets	Wear strips	Side guide brackets & accessories	Levelers	Engineering manual
Modular belts & sprockets	Chain & belt return systems	Frame & structure supports	Bearing supports	
Curves & tracks	Side guide solutions	Miscellaneous products	Equipment	

7 2 1 6 8 a

ACTIVE TRANSFER WING

TRANSFERS

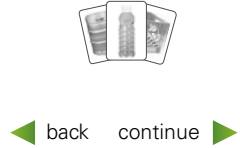
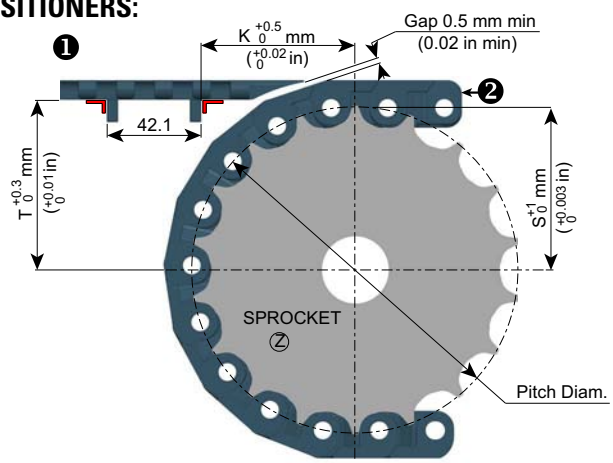
ACTIVE TRANSFER WING WITH TWO POSITIONERS:

See below overview for the positioning of the active transfer wing relative to the infeed and outfeed conveyor:

This is a system of integrated, tapered flights at the edge of the belt which allows for smooth 90° transfers without dead plates and results in a self-clearing line.

The active transfer system is always equipped with the positioner which ensures an optimum tracking of the belt at the 90° transfer.

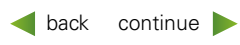
We recommend making the return shaft adjustable in X-and Y- direction to obtain a perfect transfer. Alternatively, it's possible to mount the transfer wing belt on an adjustable bed to account for fine-tuning.



BELTS WITH TRANSFER WING (REF. N°1)	BELTS (REF. N°2)	SPROCKETS NUMBER OF TEETH Z.	DIMENSIONS					
			mm			in		
			K	S	T	K	S	T
2120 FT-PT	2120 FT	16	55.2	28.2	28.2	2.17	1.11	1.11
		20	56.4	36.3	36.3	2.22	1.43	1.43
		24	57.5	44.3	44.3	2.26	1.74	1.74
		28	59.5	52.4	52.4	2.34	2.06	2.06
2190 FT-PT-K480T	2120 FT	16	85.8	28.2	28.2	3.38	1.11	1.11
		20	87.6	36.3	36.3	3.45	1.43	1.43
		24	87.7	44.3	44.3	3.45	1.74	1.74
		28	90.8	52.4	52.4	3.57	2.06	2.06
2190 FT-PT-K480T	2190 FT	17	89.6	46	46	3.53	1.81	1.81
		21	90.8	58.6	58.6	3.57	2.31	2.31
		24	91.7	67.1	67.1	3.61	2.64	2.64
		25	92.0	70.1	70.1	3.62	2.76	2.76
2190 FT-PT-K510T	2120 FT	16	90.5	28.2	28.2	3.56	1.11	1.11
		20	92.3	36.3	36.3	3.63	1.43	1.43
		24	92.4	44.3	44.3	3.64	1.74	1.74
		28	93.6	52.4	52.4	3.69	2.06	2.06
2190 FT-PT-K510T	2190 FT	17	94.3	46	46	3.71	1.81	1.81
		21	95.5	58.6	58.6	3.76	2.31	2.31
		24	96.4	67.1	67.1	3.80	2.64	2.64
		25	96.7	70.1	70.1	3.81	2.76	2.76
2250 FT-PT	2120 FT	16	55.5	28.2	28.2	2.19	1.11	1.11
		20	56.6	36.3	36.3	2.23	1.43	1.43
		24	57.6	44.3	44.3	2.27	1.74	1.74
		28	60.1	52.4	52.4	2.37	2.06	2.06
2250 FT-PT	2250 FT OR 2250 FG	12	58.6	44.7	44.7	2.31	1.76	1.76
		16	60.7	60.7	60.7	2.40	2.39	2.39
		18	61.6	68.8	68.8	2.43	2.71	2.71
		20	62.4	76.8	76.8	2.46	3.02	3.02
2250 FT-PT	2190 FT OR 2190 FG	17	69	46	46	2.72	1.81	1.81
		21	85.8	58.6	58.6	3.38	2.31	2.31
		24	97.1	67.1	67.1	3.82	2.64	2.64
		25	101.1	70.1	70.1	3.98	2.76	2.76
2251 FT-PT	2251 FT OR 2252 FT	16	79.5	58.7	58.7	3.13	2.31	2.31
		18	80.2	66.7	66.7	3.16	2.63	2.63
		20	80.5	74.8	74.8	3.17	2.95	2.95
		21	81.4	78.9	78.9	3.20	3.11	3.11
2251 FT-PT	2251 FT OR 2252 FT	16	104.9	58.7	58.7	4.13	2.31	2.31
		18	105.6	66.7	66.7	4.16	2.63	2.63
		20	105.9	74.8	74.8	4.17	2.95	2.95
		21	106.8	78.9	78.9	4.20	3.11	3.11



CONSTRUCTION DETAILS - General index 7 2 1 1 0 a -

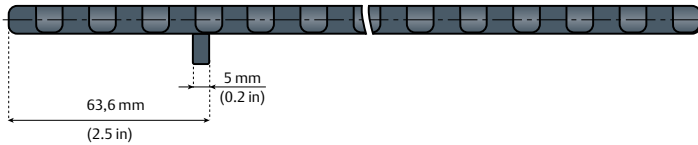


- 7 2 1 1 5 a** Conveyor length and speed stainless steel chains
- 7 2 1 4 2 a** Tensioner
- 7 2 1 7 2 a** Head to tail transfer with roller modules
- 7 2 1 1 7 a** Conveyor length and speed plastic chains and belts
- 7 2 1 4 4 a** Return part construction
- 7 2 1 8 4 a** Nosebar Transfer (only 2120)
- 7 2 1 4 0 a** Construction recommendations
- 7 2 1 4 8 a** Rotating Rollers, Guide Shoes, Wearstrips & Serpentine
- 7 2 1 9 5 a** Wearstrips

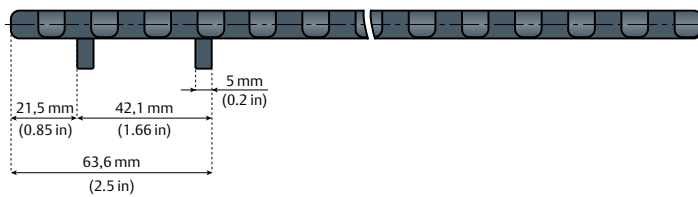
Chains & sprockets	Wear strips	Side guide brackets & accessories	Levelers	Engineering manual
Modular belts & sprockets	Chain & belt return systems	Frame & structure supports	Bearing supports	
Curves & tracks	Side guide solutions	Miscellaneous products	Equipment	



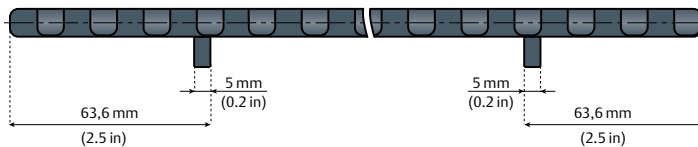
◀ back



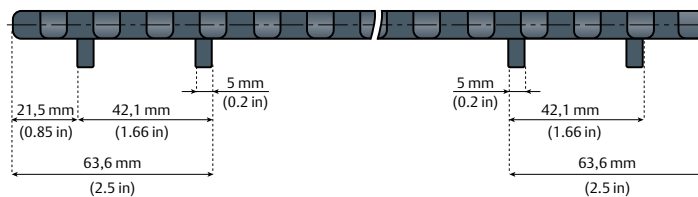
EXAMPLE 2250FT-P-M0340



EXAMPLE 2250FT-PT-M0425



EXAMPLE 2250FT-P2-0170



EXAMPLE 2250FT-PT2-M0510

Belts with positioners.

Go to product page:

½" **3 0 0 6 0 a**

¾" **3 0 2 0 0 a**

1" **3 0 3 3 5 a**

Thermal expansion.

Go to:

7 3 5 2 6 a

The blue line in the principle sketch on page **7 2 1 6 6 a** and **7 2 1 6 2 a** shows that the positioners in those situation should be at the transfer side. Then the position of the belt (and thus the gap between the two belts) at the transfer is fixed. Possible thermal expansion of the belt will be absorbed at the opposite side of the belt.

PT2 configuration is typically not used, especially with wider belts where thermal expansion could cause the belt to get wedged in the guides as the belt expands.

The P2 configuration should only be used when the guides are on the inside of the positioning tabs, again to allow for thermal expansion.



◀ back



Chains & sprockets	Wear strips	Side guide brackets & accessories	Levelers	Engineering manual
Modular belts & sprockets	Chain & belt return systems	Frame & structure supports	Bearing supports	
Curves & tracks	Side guide solutions	Miscellaneous products	Equipment	

7 2 1 7 2 a HEAD TO TAIL TRANSFERS WITH ROLLER MODULES

TRANSFERS

Going straight in a narrow space a HEAD-TO-TAIL transfer can be used:



continue ►

For transfer plate.
Go to product page:

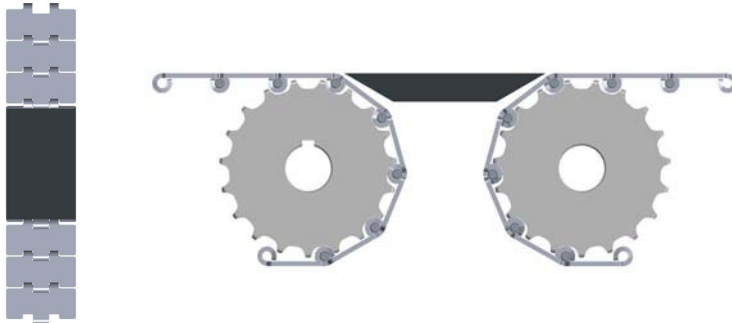
5 2 6 7 0 a

Roller transfer plates,
chains:

7 2 1 7 3 a

Roller transfer plates,
For belts:

7 2 1 7 9 a



The gap between the sprocket and idler can be covered with a dead plate. Depending on the size of the product and the length of the dead plate, it will require some other products to push the first one across the dead plate leaving one stranded on the plate at the end of a product run.

To reduce the length of the dead plate, a smaller sprocket/idler can be chosen. However it is generally recommend to work with medium size sprockets/idlers because of less cordal action and larger number of teeth in operation. Another option is to use a noseover belt for end-to-end transfers. Reference section **7 2 1 8 4 a** for more information on noseover operation.

An option to reduce the pressure necessary to get products across the transfer is the use of roller transfers. Dynamic transfer rollers are not appropriate to be used with small products, due to product instability.



System Plast has 3 types of rollers available:



These modules are designed in sizes with 2, 3 and 5 rollers.

Modules can be bricked side-by-side to achieve larger widths for use with modular belts (like a 6" wide next to a 9" wide to achieve a 15" wide transfer).

Note: the K330 and K450 transfer plates cannot be used in combination with K600 and K900 units due to the difference in overall height.



CONSTRUCTION DETAILS - General index 7 2 1 1 0 a -

continue ►

- 7 2 1 7 9 a** Head to tail transfer with roller modules - Belts
- 7 2 1 1 5 a** Conveyor length and speed stainless steel chains
- 7 2 1 4 0 a** Construction recommendations

- 7 2 1 4 2 a** Tensioner
- 7 2 1 4 4 a** Return part construction
- 7 2 1 4 8 a** Rotating Rollers, Guide Shoes, Wearstrips & Serpentine

- 7 2 1 6 2 a** Transfers
- 7 2 1 8 4 a** Nosebar Transfer (only 2120)
- 7 2 1 9 5 a** Wearstrips



Chains & sprockets	Wear strips	Side guide brackets & accessories	Levelers	Engineering manual
Modular belts & sprockets	Chain & belt return systems	Frame & structure supports	Bearing supports	
Curves & tracks	Side guide solutions	Miscellaneous products	Equipment	

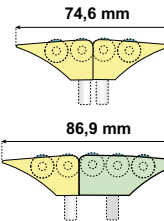
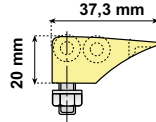
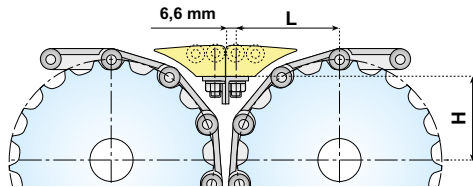
7 2 1 7 3 a ROLLER TRANSFER PLATES K330 & K450 FOR CHAINS TRANSFERS



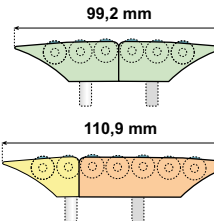
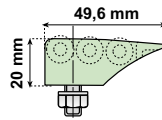
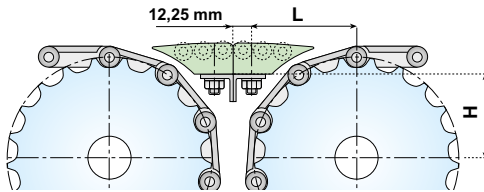
COMBINATIONS HEAD TO TAIL TRANSFER WITH TWO MODULES

◀ back continue ▶

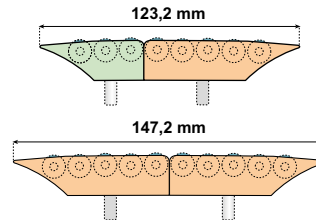
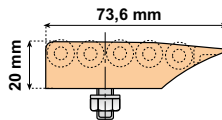
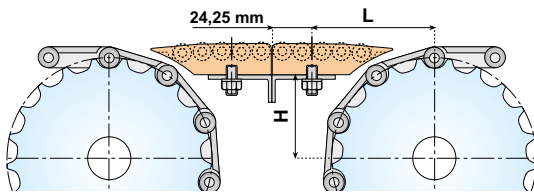
2 ROWS OF ROLLERS



3 ROWS OF ROLLERS



5 ROWS OF ROLLERS



For Head to tail transfers with roller modules:

7 2 1 7 2 a

For chains K600 & K900 metric:

7 2 1 7 5 a

For belts K300 & K450 metric:

7 2 1 7 9 a

For belts K600 & K900 metric:

7 2 1 8 1 a

Dimension in mm METRIC	NUMBER OF TEETH																
	Z=17				Z=19				Z=21			Z=23			Z=25		
CHAIN TYPES	H	L(2)	L(3)	L(5)	H	L(2)	L(3)	L(5)	H	L(3)	L(5)	H	L(3)	L(5)	H	L(3)	L(5)
812 -815 -881 -8157 -8810 -800 -802 -805 -812L -815L -881M -881MO -881TAB -8810TAB -8857M -8857TAB -L881MO	39,6	672	79,2	104	45,5	70,1	81,6	105,4	51,5	84	106,8	57,5	86,4	108,2	63,5	88,8	109,6
805VG -815TABVG -815VG -881TABVG -881VG -8157VG -8157TABVG -8857MVG	42,6	68,3	80	103,6	48,5	71,3	82,3	104,9	54,5	84,7	106,3	60,5	87,1	107,6	66,5	89,5	108,9
814VG	42,1	67,9	79,7	103,6	48	70,9	82,1	104,9	54	84,5	106,1	60	86,9	107,3	66	89,3	108,5
831 -820 -820P	40,2	67,2	78,9	103	46,1	70,2	81,3	104,4	52,1	83,7	105,8	58,1	86,1	107,1	64,1	88,5	108,5
821	41	67,9	79,2	103,1	46,9	70,8	81,6	104,4	52,9	84	105,7	58,9	86,3	107	64,9	88,7	108,4
831VG	44	68,9	79,9	103,7	49,9	-	82,4	105	55,9	84,8	106,4	61,9	87,2	107,7	67,9	-	109,1
LBP831	54,7	-	82,9	106,6	60,6	-	85,6	108,1	66,6	-	109,6	72,6	-	111,1	78,6	-	112,7
LBP821	55,5	-	84,1	107,4	61,4	-	86,8	108,9	67,4	-	110,3	73,4	-	111,8	79,4	-	113,3
SK38	38,7	66,3	78,4	102,3	44,6	69,2	80,8	103,7	50,6	83,1	105	56,6	85,5	106,3	62,6	87,9	107,7

Dimension in mm METRIC	NUMBER OF TEETH													
	Z=9				Z=10				Z=11			Z=12		
CHAIN TYPES	H	L(2)	L(3)	L(5)	H	L(2)	L(3)	L(5)	H	L(3)	L(5)	H	L(3)	L(5)
828 -879 -880 -879J -879TAB -880TAB -879M -880M	43	68,6	79,6	103,7	49	71,7	81,8	105,1	55	83,9	106,4	61	86,1	107,7
878TAB	43,4	68,7	79,8	103,4	49,4	-	82	104,9	55,4	84,2	106,5	61,4	86,4	108
879TABVG -879MVG	46	70,1	80,7	104,6	52	-	83,2	105,9	58	85,6	107,3	64	88,1	108,7
878TABVG	46,4	70,7	80,3	104,4	52,4	-	82,9	105,6	58,4	85,4	106,8	64,4	87,9	108
LBP878TAB -LBP879M	58,4	-	85,1	107,3	64,4	-	87,7	108,5	70,4	-	109,7	76,4	-	110,8
8257 -882BEVEL -882TAB -882M	45,6	70,2	80,1	104	51,5	-	82,6	105,4	57,6	85,1	106,7	63,5	87,6	108
8257VG -882TABVG -882MVG	48,6	71,7	80,7	104,9	54,5	-	83,4	106,3	60,6	86,1	107,7	66,5	-	109,1
LBP8257 -LBP882TAB -LBP882M	60,1	-	85,6	107,8	66	-	-	108,8	72,1	-	109,9	78	-	111

Note: In case there is no L dimension (L2, L3, L5) given, it means that the roller transfer module cannot be used for that combination of type of chain and sprocket.



CONSTRUCTION DETAILS - General index 7 2 1 1 0 a -

◀ back continue ▶

- 7 2 1 7 9 a** Head to tail transfer with roller modules - Belts
- 7 2 1 4 2 a** Tensioner
- 7 2 1 6 2 a** Transfers
- 7 2 1 1 5 a** Conveyor length and speed stainless steel chains
- 7 2 1 4 4 a** Return part construction
- 7 2 1 8 4 a** Nosebar Transfer (only 2120)
- 7 2 1 4 0 a** Construction recommendations
- 7 2 1 4 8 a** Rotating Rollers, Guide Shoes, Wearstrips & Serpentine
- 7 2 1 9 5 a** Wearstrips

Chains & sprockets	Wear strips	Side guide brackets & accessories	Levelers	Engineering manual
Modular belts & sprockets	Chain & belt return systems	Frame & structure supports	Bearing supports	
Curves & tracks	Side guide solutions	Miscellaneous products	Equipment	

7 2 1 7 5 a ROLLER TRANSFER PLATES K600 & K900 FOR CHAINS

TRANSFERS

**COMBINATIONS
HEAD TO TAIL TRANSFER WITH
TWO MODULES**



◀ back continue ▶

For Head to tail transfers with roller modules:

7 2 1 7 2 a

For chains K330 & K450 metric:

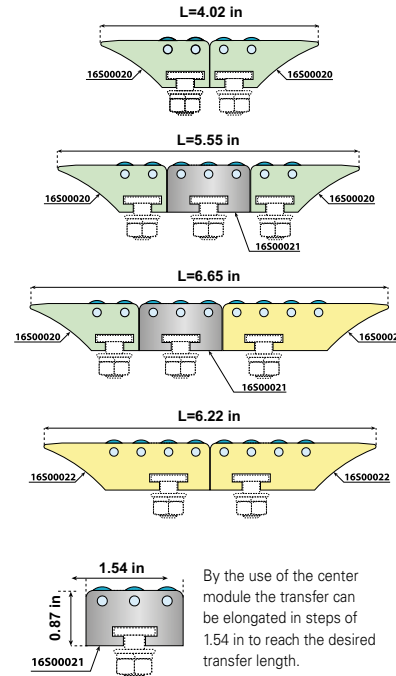
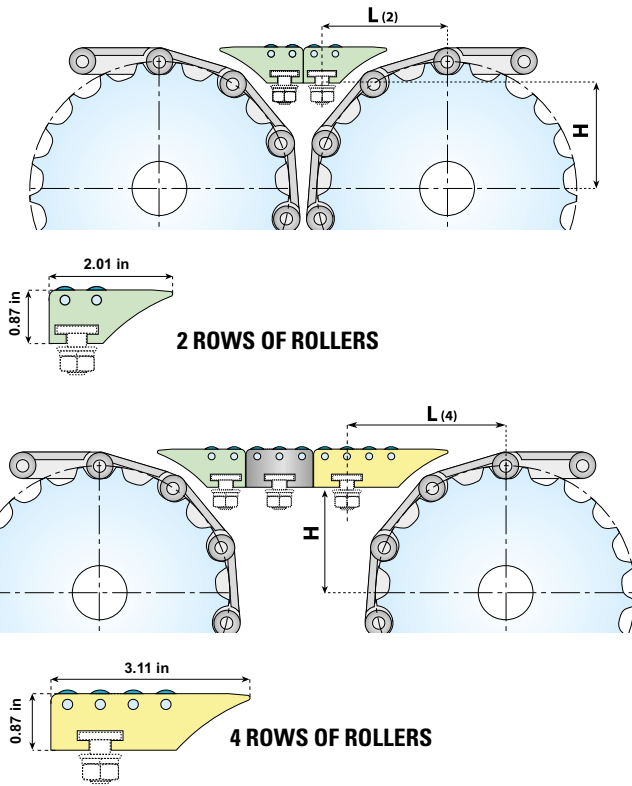
7 2 1 7 3 a

For belts K300 & K450 metric:

7 2 1 7 9 a

For belts K600 & K900 metric:

7 2 1 8 1 a



By the use of the center module the transfer can be elongated in steps of 1.54 in to reach the desired transfer length.

Dimension in mm METRIC	NUMBER OF TEETH														
	Z=17			Z=19			Z=21			Z=23			Z=25		
CHAIN TYPES	H	L(2)	L(4)	H	L(2)	L(4)	H	L(2)	L(4)	H	L(2)	L(4)	H	L(2)	L(4)
812 -815 -881 -8157 -8810 -800 -802 -805 -812L -815L -881M -881MO -881TAB -8810TAB -8857M -8857TAB -L881MO	37,1	80,9	109,4	43	83,8	110,8	49	86,7	112,2	55	89,5	113,6	61	92,4	115
805VG -815TABVG -815VG -881TABVG -881VG -8157VG -8157TABVG -8857MVG	40,1	82	109	46	85	110,3	52	87,9	111,7	58	90,8	113	64	93,7	114,3
814VG	39,6	81,6	109	45,5	84,6	110,3	51,5	87,6	111,5	57,5	90,6	112,7	63,5	93,6	113,9
831- 820- 820P	37,7	80,9	108,4	43,6	83,9	109,8	49,6	86,8	111,2	55,6	89,7	112,5	61,6	92,7	113,9
821	38,5	81,6	108,5	44,4	84,5	109,8	50,4	87,3	111,1	56,4	90,2	112,4	62,4	93	133,8
831VG	41,5	82,6	109,1	47,4	85,4	110,4	53,4	88,3	111,8	59,4	91,2	113,1	65,4	94,1	114,5
LBP831	52,2	88,3	112	58,1	91	113,5	64,1	93,6	115	70,1	96,3	116,5	76,1	-	118,1
LBP821	53	88,8	112,8	58,9	91,6	114,3	64,9	94,5	115,7	70,9	97,3	117,2	76,9	-	118,7
SK38	36,2	80	107,7	42,1	82,9	109,1	48,1	85,9	110,4	54,1	88,8	111,7	60,1	91,8	113,1

Dimension in mm METRIC	NUMBER OF TEETH											
	Z=9			Z=10			Z=11			Z=12		
CHAIN TYPES	H	L(2)	L(4)	H	L(2)	L(4)	H	L(2)	L(4)	H	L(2)	L(4)
828 -879 -880 -879J -879TAB -880TAB -879M -880M	40,5	82,3	109,1	46,5	85,4	110,5	52,5	88,6	111,8	58,5	91,7	113,1
878TAB	40,9	82,4	108,8	46,9	85,4	110,3	52,9	88,5	111,9	58,9	91,5	113,4
879TABVG -879MVG	43,5	83,8	110	49,5	86,8	111,3	55,5	89,9	112,7	61,5	92,9	114,1
878TABVG	43,9	84,4	109,8	49,9	87,4	111	55,9	90,5	112,2	61,9	93,6	113,4
LBP878TAB -LBP879M	55,9	90,3	112,7	61,9	93	113,9	67,9	95,8	115,1	73,9	-	116,2
8257 -882BEVEL -882TAB -882M	43,1	83,9	109,4	49	86,8	110,8	55,1	89,7	112,1	61	92,6	113,4
8257VG -882TABVG -882MVG	46,1	85,4	110,3	52	88,3	111,7	58,1	91,1	113,1	64	94	114,5
LBP8257 -LBP882TAB -LBP882M	57,6	90,5	113,2	63,5	93,3	114,2	69,6	96,1	115,3	75,5	-	116,4

Note: In case there is no L dimension (L2, L3, L5) given, it means that the roller transfer module cannot be used for that combination of type of chain and sprocket.



CONSTRUCTION DETAILS - General index 7 2 1 1 0 a -

◀ back continue ▶

- 7 2 1 7 9 a** Head to tail transfer with roller modules - Belts
- 7 2 1 4 2 a** Tensioner
- 7 2 1 6 2 a** Transfers
- 7 2 1 1 5 a** Conveyor length and speed stainless steel chains
- 7 2 1 4 4 a** Return part construction
- 7 2 1 8 4 a** Nosebar Transfer (only 2120)
- 7 2 1 4 0 a** Construction recommendations
- 7 2 1 4 8 a** Rotating Rollers, Guide Shoes, Wearstrips & Serpentine
- 7 2 1 9 5 a** Wearstrips

Chains & sprockets	Wear strips	Side guide brackets & accessories	Levelers	Engineering manual
Modular belts & sprockets	Chain & belt return systems	Frame & structure supports	Bearing supports	
Curves & tracks	Side guide solutions	Miscellaneous products	Equipment	

7 2 1 7 9 a ROLLER TRANSFER PLATES K330 & K450 FOR BELTS TRANSFERS

COMBINATIONS HEAD TO TAIL TRANSFER WITH TWO MODULES



◀ back continue ▶

For Head to tail transfers with roller modules:

7 2 1 7 2 a

For belts K600 & K900 metric:

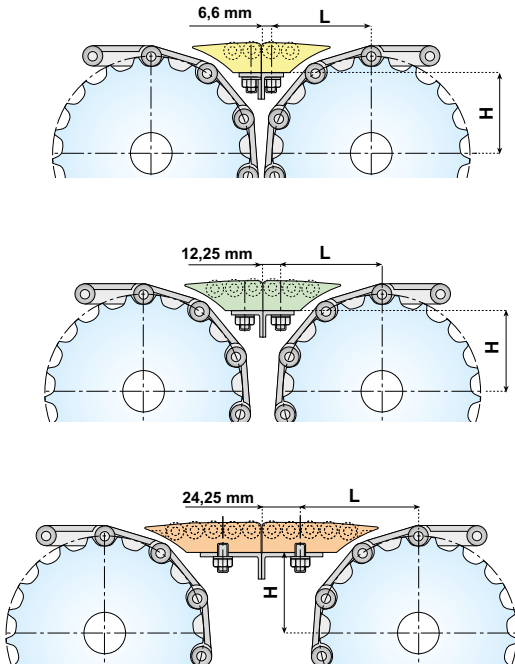
7 2 1 8 1 a

For chains K330 & K450 metric:

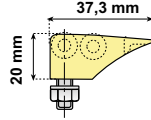
7 2 1 7 3 a

For chains K600 & K900 metric:

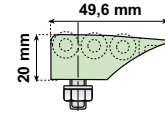
7 2 1 7 5 a



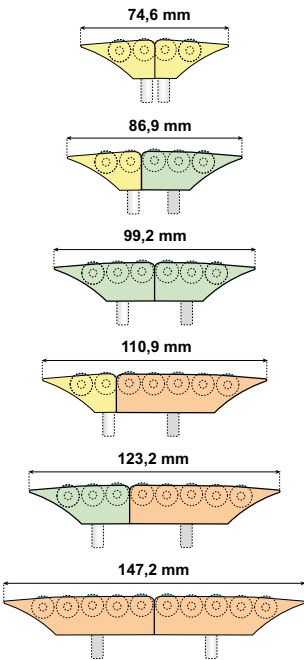
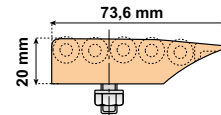
2 ROWS OF ROLLERS



3 ROWS OF ROLLERS



5 ROWS OF ROLLERS



Dimension in mm METRIC	NUMBER OF TEETH																			
	Z=14				Z=16				Z=20				Z=24				Z=28			
BELT TYPES	H	L(2)	L(3)	L(5)	H	L(2)	L(3)	L(5)	H	L(2)	L(3)	L(5)	H	L(2)	L(3)	L(5)	H	L(2)	L(3)	L(5)
2120FT -FG -2120M -2121FT	13,4	59,1	71	94,9	17,4	60,7	72,3	95,9	25,5	63,9	75	98,5	33,5	67,1	77,7	98	41,6	70,4	80,4	100,1
GB2120 -VG2120	14,9	59,5	71,5	95,5	18,9	61,1	72,8	96,5	27	64,4	75,5	98,6	35	67,6	78,2	98,6	43,1	70,8	80,9	100,7
LBP2120	15,4	59,9	71,8	95,8	19,4	61,6	73,1	96,8	27,5	64,8	75,8	98,8	35,5	68	78,4	98,8	43,6	71,2	81,1	100,9
BELT TYPES	H	L(3)	L(5)	H	L(3)	L(5)	H	L(3)	L(5)											
2120FT -FG -2120M -2121FT	57,8	85,7	106,4	61,8	87,1	107,5	65,8	88,4	108,5											
GB2120 -VG2120	59,3	86,2	107	63,3	87,6	108,1	67,3	-	109,1											
LBP2120	59,8	86,4	107	63,8	87,8	108	67,8	-	109											
BELT TYPES	H	L(2)	L(3)	L(5)	H	L(2)	L(3)	L(5)	H	L(3)	L(5)									
2190FT -2190FG	35,2	65,5	77,5	101,5	47,9	71,2	81,4	104,3	56,3	84,3	106,5	59,4	85,2	107,2						
BELT TYPES	H	L(2)	L(3)	L(5)	H	L(2)	L(3)	L(5)	H	L(2)	L(3)	L(5)	H	L(2)	L(3)	L(5)	H	L(2)	L(3)	L(5)
2250FT -2250FG	31	64,7	76,5	100,2	34,8	66,5	77,9	101,2	38,8	68,2	79,3	102,2	42,8	70	80,7	103,1	46,8	71,7	82,1	104,1
VG2250	33,5	65,3	77,2	101,2	37,3	67,1	78,7	102,1	41,3	68,9	80,1	103,1	45,3	70,7	81,6	104	49,3	72,5	83	105
2251FT -2252FT -2252PT	35	65,3	77,4	101,6	38,8	67,1	78,9	102,5	42,8	69	80,4	103,4	46,8	70,9	81,9	104,3	50,8	-	83,4	105,2
VG2251	37,5	66	78,3	102	41,3	67,9	79,8	103	45,3	69,9	81,3	104	49,3	71,8	82,8	104,9	53,3	-	84,3	105,9
LBP2251	49,5	-	81,2	105,2	53,3	-	83	106,2	57,3	-	84,7	107,2	61,3	-	86,5	108,2	65,3	-	88,2	109,2
BELT TYPES	H	L(3)	L(5)	H	L(3)	L(5)	H	L(5)												
2250FT -2250FG	54,8	84,9	106	62,9	87,7	107,9	66,9	108,9												
VG2250	57,3	85,9	106,9	65,4	88,8	108,8	69,4	109,7												
2251FT -2252FT -2252PT	58,8	86,4	107	66,9	-	108,8	70,9	109,7												
VG2251	61,3	87,3	107,8	69,4	-	109,7	73,4	110,7												
LBP2251	73,3	-	111,12	81,4	-	113,3	85,4	114,3												
BELT TYPES	H	L(2)	L(3)	L(5)	H	L(3)	L(5)	H	L(3)	L(5)	H	L(3)	L(5)	H	L(3)	L(5)				
2351 -2451 -2551 -2651	35,8	65,3	77,7	101,8	50,8	83,9	105,7	60,4	88	108,3	67,2	90	109,6							
CHAIN - BELT TYPES	H	L(3)	L(5)	H	L(3)	L(5)	H	L(3)	L(5)	H	L(3)	L(5)	H	L(5)						
2250M -2250TAB -2260M	58	85,1	107,8	65,9	88,8	109,3	70,7	110,1												
2251M -2251TAB	-	87	108,1	70,3	-	109,9	75,1	110,8												

Note: In case there is no L dimension (L2, L3, L5) given, it means that the roller transfer module cannot be used for that combination of type of belt and sprocket.



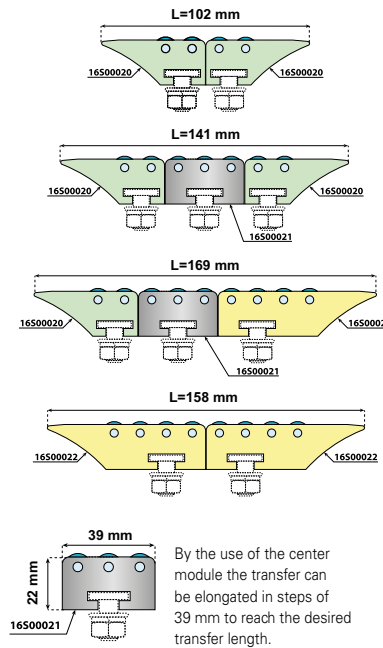
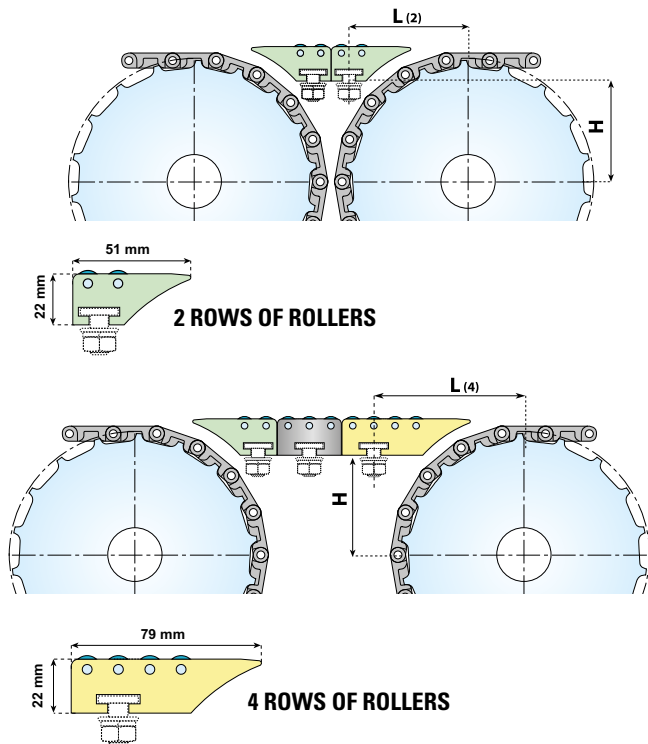
CONSTRUCTION DETAILS - General index 7 2 1 1 0 a -

◀ back continue ▶

- 7 2 1 7 3 a** Head to tail transfer with roller modules - Chains
- 7 2 1 4 2 a** Tensioner
- 7 2 1 6 2 a** Transfers
- 7 2 1 1 7 a** Conveyor length and speed plastic chains and belts
- 7 2 1 4 4 a** Return part construction
- 7 2 1 8 4 a** Nosebar Transfer (only 2120)
- 7 2 1 4 0 a** Construction recommendations
- 7 2 1 4 8 a** Rotating Rollers, Guide Shoes, Wearstrips & Serpentine
- 7 2 1 9 5 a** Wearstrips

Chains & sprockets	Wear strips	Side guide brackets & accessories	Levelers	Engineering manual
Modular belts & sprockets	Chain & belt return systems	Frame & structure supports	Bearing supports	
Curves & tracks	Side guide solutions	Miscellaneous products	Equipment	

7 2 1 8 1 a ROLLER TRANSFER PLATES K600 & K900 FOR BELTS TRANSFERS



◀ back

For Head to tail transfers with roller modules:

7 2 1 7 2 a

For belts K300 & K450 metric:

7 2 1 7 9 a

For chains K330 & K450 metric:

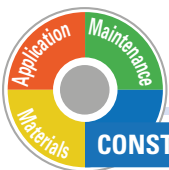
7 2 1 7 3 a

For chains K600 & K900 metric:

7 2 1 7 5 a

Dimension in mm METRIC	NUMBER OF TEETH																	
	Z=14			Z=16			Z=20			Z=24			Z=28			Z=36		
BELT TYPES	H	L(2)	L(4)	H	L(2)	L(4)	H	L(2)	L(4)	H	L(2)	L(4)	H	L(2)	L(4)	H	L(2)	L(4)
2120FT-FG -2120M -2121FT	10,9	72,8	100,3	14,9	74,4	101,3	23	77,6	103,4	31	80,8	105,5	39,1	84,1	107,6	55,3	90,5	111,8
GB2120 -VG2120	12,4	73,2	100,9	16,4	74,8	101,9	24,5	78,1	104	32,5	81,3	106,1	40,6	84,5	108,2	56,8	91	112,4
LBP2120	12,9	73,6	101,2	16,9	75,3	102,2	25	78,5	104,2	33	81,7	106,3	41,1	84,9	108,3	57,3	91,4	112,4
BELT TYPES	H	L(2)	L(4)	H	L(2)	L(4)												
2120FT-FG -2120M -2121FT	59,3	92,1	112,9	63,3	93,7	113,9												
GB2120 -VG2120	60,8	92,6	113,5	64,8	94,3	114,5												
LBP2120	61,3	93	113,4	65,3	94,6	114,4												
BELT TYPES	H	L(2)	L(4)	H	L(2)	L(4)												
2190FT -2190FG	32,7	79,2	106,9	45,4	84,9	109,7	53,8	89,3	111,9	56,9	90,7	112,6						
BELT TYPES	H	L(2)	L(4)	H	L(2)	L(4)	H	L(2)	L(4)	H	L(2)	L(4)	H	L(2)	L(4)	H	L(2)	L(4)
2250FT -2250FG	28,5	78,4	105,6	32,3	80,2	106,6	36,3	81,9	107,6	40,3	83,7	108,5	44,3	85,4	109,5	52,3	89	111,4
VG2250	31	79	106,6	34,8	80,8	107,5	38,8	82,6	108,5	42,8	84,4	109,4	46,8	86,2	110,4	54,8	89,8	112,3
2251FT -2252FT -2252PT	32,5	79	107	36,3	80,8	107,9	40,3	82,7	108,8	44,3	84,6	109,7	48,3	86,5	110,6	56,3	90,2	112,4
VG2251	35	79,7	107,4	38,8	81,6	108,4	42,8	83,6	109,4	46,8	85,5	110,3	50,8	87,5	111,3	58,8	91,4	113,2
LBP2251	47	85,6	110,6	50,8	87,5	111,6	54,8	89,3	112,6	58,8	91,1	113,6	62,8	93	114,6	70,8	96,6	116,6
BELT TYPES	H	L(2)	L(4)	H	L(2)	L(4)												
2250FT -2250FG	60,4	92,5	113,3	64,4	94,3	114,3												
VG2250	62,9	93,5	114,2	66,9	95,3	115,1												
2251FT -2252FT -2252PT	64,4	94	114,2	68,4	95,9	115,1												
VG2251	66,9	95,3	115,1	70,9	97,3	116,1												
LBP2251	78,9	-	118,7	82,9	-	119,7												
BELT TYPES	H	L(2)	L(4)	H	L(2)	L(4)												
2351 -2451-2551 -2651	33,3	79	107,2	48,3	86,7	111,1	57,9	91,9	113,7	64,7	94,5	115						
CHAIN - BELT TYPES	H	L(2)	L(4)	H	L(2)	L(4)	H	L(2)	L(4)	H	L(2)	L(4)						
2250M -2250TAB -2260M	55,5	89,9	113,2	63,4	93,8	114,7	68,2	95,7	115,5									
2251M -2251TAB	59,9	92,1	113,5	67,8	95,9	115,3	72,6	97,8	116,2									

Note: In case there is no L dimension (L2, L3, L5) given, it means that the roller transfer module cannot be used for that combination of type of belt and sprocket.



CONSTRUCTION DETAILS - General index 7 2 1 1 0 a -

◀ back

- 7 2 1 7 3 a** Head to tail transfer with roller modules - Chains
- 7 2 1 4 2 a** Tensioner
- 7 2 1 6 2 a** Transfers
- 7 2 1 1 7 a** Conveyor length and speed plastic chains and belts
- 7 2 1 4 4 a** Return part construction
- 7 2 1 8 4 a** Nosebar Transfer (only 2120)
- 7 2 1 4 0 a** Construction recommendations
- 7 2 1 4 8 a** Rotating Rollers, Guide Shoes, Wearstrips & Serpentine
- 7 2 1 9 5 a** Wearstrips

Chains & sprockets	Wear strips	Side guide brackets & accessories	Levelers	Engineering manual
Modular belts & sprockets	Chain & belt return systems	Frame & structure supports	Bearing supports	
Curves & tracks	Side guide solutions	Miscellaneous products	Equipment	

7 2 1 8 4 a

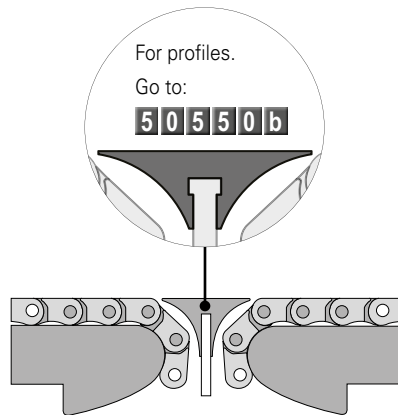
NOSEBAR TRANSFER

TRANSFERS



continue ►

In head-to-tail transfer configuration, dead plates may leave stranded product. Roller transfers modules reduce the friction for an end-to-end-transfer; however, this may not be acceptable for small/unstable products, nor does it prevent stranded containers if the gap is larger than the product diameter or length. The preferred option is a nosebar transfer which allows a very small gap with little to no stranded products.



Nose bar creates extremely short transfers



For nose bar 2120.
Go to product page:

3 0 1 7 5 a

For nose bar 2080.
Go to product page:

3 0 0 2 9 a

The 2120/2121 series belt with 1/2" pitch and concave bottom module is very well suited for nosebar transfers. The small pitch and the concave bottom reduce the polygon effect to a minimum, making for smooth transitions. Either a static nosebar or a roller can be used. The diameter should be 19 mm (0.75 in) in to fit the concave bottom of the modules.



CONSTRUCTION DETAILS - General index 7 2 1 1 0 a -

continue ►

7 2 1 1 7 a Conveyor length and speed plastic chains and belts

7 2 1 4 2 a Tensioner

7 2 1 6 2 a Transfers

7 2 1 2 0 a Sprockets position for belts

7 2 1 4 4 a Return part construction

7 2 1 7 3 a Head to tail transfer with roller modules - Chains

7 2 1 4 0 a Construction recommendations

7 2 1 4 8 a Rotating Rollers, Guide Shoes, Wearstrips & Serpentine

7 2 1 9 5 a Wearstrips: Belts



Chains & sprockets	Wear strips	Side guide brackets & accessories	Levelers	Engineering manual
Modular belts & sprockets	Chain & belt return systems	Frame & structure supports	Bearing supports	
Curves & tracks	Side guide solutions	Miscellaneous products	Equipment	

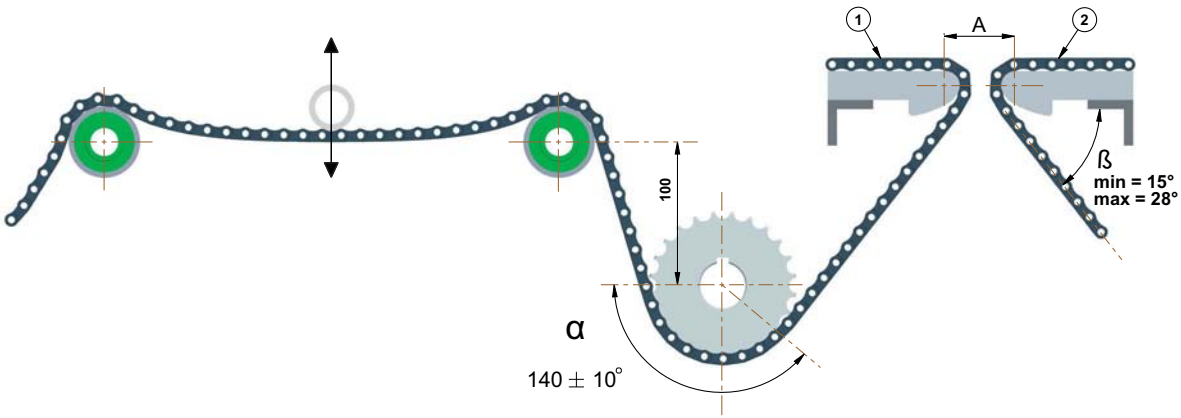
7 2 1 8 5 a

NOSEBAR TRANSFER

TRANSFERS



Recommended drive construction in nosebar situation:



◀ back continue ▶

For nose bar 2120.
Go to product page:
3 0 1 7 5 a

For nose bar 2080.
Go to product page:
3 0 0 2 9 a

Dimension A for different 2120 belt types:

TYPE ①	THICKNESS	TYPE ②	THICKNESS	A
mm				
FT / FG	8,7	FT / FG	8,7	40
FT / FG	8,7	VG	10,7	42
FT / FG	8,7	LBP	21,5	53
VG	10,7	VG	10,7	44
VG	10,7	LBP	21,5	55
LBP	21,5	LBP	21,5	65

TYPE ①	THICKNESS	TYPE ②	THICKNESS	A
in				
FT / FG	0.34	FT / FG	0.34	1.58
FT / FG	0.34	VG	0.42	1.65
FT / FG	0.34	LBP	0.85	2.09
VG	0.42	VG	0.42	1.73
VG	0.42	LBP	0.85	2.17
LBP	0.85	LBP	0.85	2.56

APPLICATION EXAMPLE:



CONSTRUCTION DETAILS - General index 7 2 1 1 0 a -

◀ back continue ▶

7 2 1 1 7 a Conveyor length and speed plastic chains and belts

7 2 1 4 2 a Tensioner

7 2 1 6 2 a Transfers

7 2 1 2 0 a Sprockets position for belts

7 2 1 4 4 a Return part construction

7 2 1 7 3 a Head to tail transfer with roller modules - Chains

7 2 1 4 0 a Construction recommendations

7 2 1 4 8 a Rotating Rollers, Guide Shoes, Wearstrips & Serpentine

7 2 1 9 5 a Wearstrips



Chains & sprockets	Wear strips	Side guide brackets & accessories	Levelers	Engineering manual
Modular belts & sprockets	Chain & belt return systems	Frame & structure supports	Bearing supports	
Curves & tracks	Side guide solutions	Miscellaneous products	Equipment	

7 2 1 9 0 a

2120 SILENT NOSEBAR

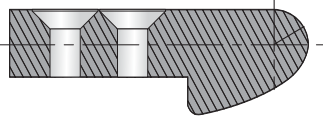
TRANSFERS

Due to the polygon effect around a small radius, often we can find some chattering noise at the idler side of the nosebar transfer. System Plast has developed a special nosebar that greatly reduces the noise level.

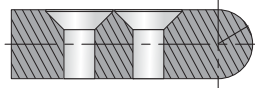


◀ back

SILENT NOSE BAR



STANDARD NOSE BAR



With the new silent nosebar the following advantages are gained:

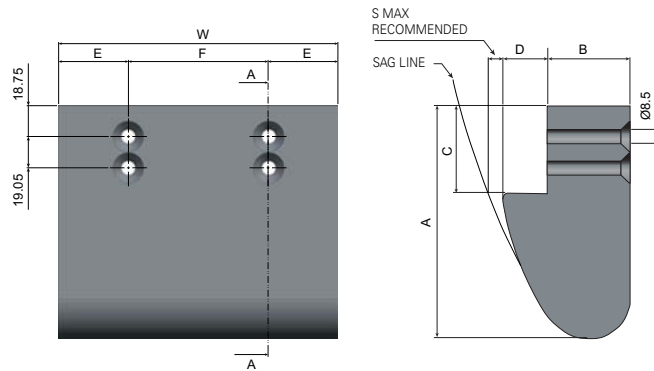
1. Reduced noise levels by 5 dB compared to standard design and roller design (measured from 1m distance with conveyor speed at 50 m/min (160 ft/min)).
2. Made in Nolu-S for smooth running also at high speeds.

For nose bar 2120. Go to product page:

3 0 1 7 5 a

For nose bar 2080. Go to product page:

3 0 0 2 9 a



NOTICE: using a too short screw to fix the nosebar can lead to small deformations as below



The issue is easily solved using a long screw. The length of the screw is recommended to be higher than B dimensions. The screws should be according to UNI 5933 DIN 7991-A Class 10.9

NOSEBAR FOR (0,5") BELT SERIES (2120/2121)

ITEM DESCRIPTIONS	W	F	E	N	A	B	C	D	S
	mm	mm	mm	-	mm	mm	mm	mm	mm
SNB2120-NS-85H	85	0	42.5	2	87	19	53.3	10.5	5
SNB2120-NS-170H	170	85	42.5	4	87	19	53.3	10.5	5
SNB2120-NS-255H	255	0	42.5	6	87	19	53.3	10.5	5
SNB2120-NS-1200	1200	85	42.5	-	87	19	53.3	10.5	5

N = number of holes

S = maximum recommended clearance

For belts with positioners or roller flow belts, grooves can be machined into the nosebar



CONSTRUCTION DETAILS - General index 7 2 1 1 0 a -

◀ back

7 2 1 1 7 a Conveyor length and speed plastic chains and belts

7 2 1 4 2 a Tensioner

7 2 1 6 2 a Transfers

7 2 1 2 0 a Sprockets position for belts

7 2 1 4 4 a Return part construction

7 2 1 7 3 a Head to tail transfer with roller modules - Chains

7 2 1 4 0 a Construction recommendations

7 2 1 4 8 a Rotating Rollers, Guide Shoes, Wearstrips & Serpentine

7 2 1 9 5 a Wearstrips

Chains & sprockets	Wear strips	Side guide brackets & accessories	Levelers	Engineering manual
Modular belts & sprockets	Chain & belt return systems	Frame & structure supports	Bearing supports	
Curves & tracks	Side guide solutions	Miscellaneous products	Equipment	

7 2 1 9 5 a

CHAIN'S WEARSTRIPS

WEARSTRIPS



continue ▶

CONSTRUCTION:

There are different ways of supporting a chain with wearstrips:

- parallel support: most common; multiple strands chain;
- full support: in case of heavy load and/or high impact on belts;
- chevron/herringbone: wider belts in abrasive conditions.

Further than physically supporting the chain or belt, wearstrips are important to ensure a smooth running of chain and belt by providing a low friction, high wear and impact resistance surface. These properties are related to the material of the wearstrips.

System Plast available wearstrips materials are UHMWPE, ANTISTATIC UHMWPE, Nolu®-S parts, etc.

Nolu®-S parts reduce the coefficient of friction, reduce the slip stick effect, save energy and has the best sliding properties.

Using wearstrips instead of the steel frame for support have the benefit to provide an easily replaced wear surface.

Wearstrips material datasheets are available upon request to customer care.

For index wearstrips.
Go to product page:

5 0 5 1 0 a

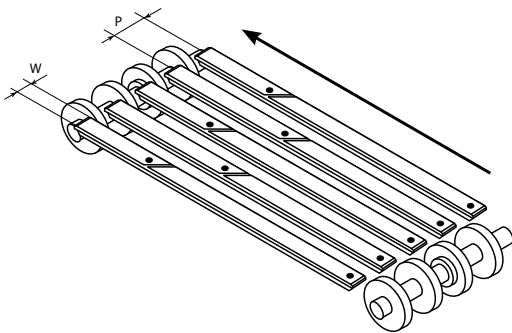
For coefficient of friction
between chain/belt and
wearstrip.
Go to:

7 3 5 7 8 a

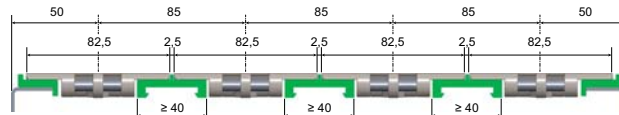
For wearstrips
material selection.
Go to:

7 2 2 1 7 a

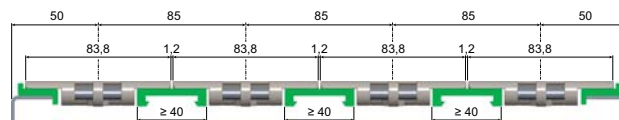
PARALLEL:



Chain width K325



Chain width K330

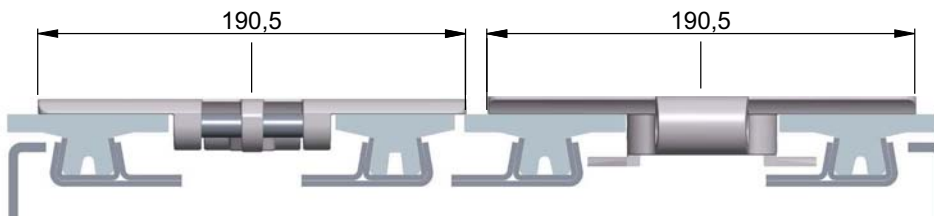


Recommended dimensions:

W= Width of the wearstrip ≥ 40 mm (1.6 ")

P= Pitch of the wearstrips: with K325 or K330 wide chains mostly 85 mm. Larger for wider chains (max 170 mm).

For chains 7,5" and wider we recommend installing two wearstrips on each side of the hinge: one close to the hinge and one at the edge of the flight.



CONSTRUCTION DETAILS - General index 7 2 1 1 0 a -

continue ▶

7 2 1 1 5 a Conveyor length and speed stainless steel chains

7 2 1 4 4 a Return part construction

7 2 1 7 2 a Head to tail transfer with roller modules

7 2 1 4 0 a Construction recommendations

7 2 1 4 8 a Rotating Rollers, Guide Shoes, Wearstrips & Serpentine

7 2 2 1 5 a Wearstrips for chains and belt with difference thickness

7 2 1 4 2 a Tensioner

7 2 1 6 2 a Transfers

7 2 2 1 7 a Selection of wearstrips material

Chains & sprockets	Wear strips	Side guide brackets & accessories	Levelers	Engineering manual
Modular belts & sprockets	Chain & belt return systems	Frame & structure supports	Bearing supports	
Curves & tracks	Side guide solutions	Miscellaneous products	Equipment	

7 2 1 9 7 a

CHAIN'S WEARSTRIPS

WEARSTRIPS



Make sure the wearstrip is chamfered at the entry side and that there's enough space between the lengths of wearstrip (T) to absorb thermal expansion:

GENERAL DIMENSIONS:

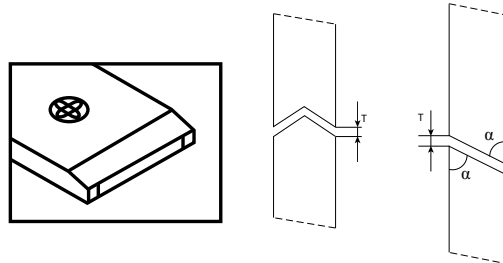
T = ± 10 mm. The gap (T) should never be larger than the belt pitch.

Check thermal expansion rates. See: **7 3 5 2 6 a**

$\alpha = 30^\circ$

Attention: T and α need to be high larger in case of extreme thermal expansion.

Consult our technical support for help.



◀ back continue ▶

For index wearstrips.
Go to product page:

5 0 5 1 0 a

For infeed shoes.
Go to product page:

5 0 6 0 0 a
5 0 6 0 0 b

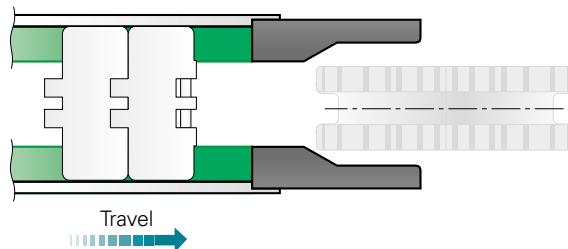
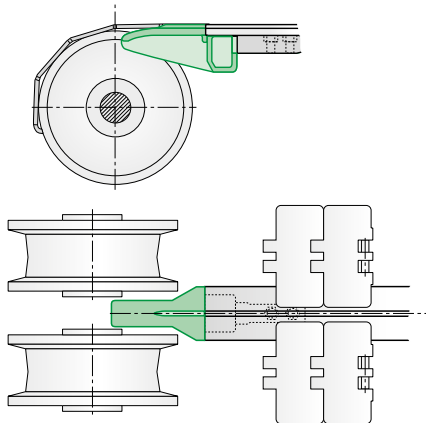
CHAINS INFEEED SHOES:

Between sprocket centerline and the end of the wearstrip, the chain/belt can sag since the tension is not great enough to overcome product weight. A wearstrip shoe can overcome this issue by providing full support of chain/belt up to the sprockets allowing smooth transfer onto the wearstrip and reducing noise too.

If the shoe is not an option, the recommended dimension from the centerline of the sprocket to the beginning of the wearstrips is one pitch of chain/belt (e.g. a 815 chain has a pitch of 1.5", so the gap between the wearstrip and the centerline of the sprocket should be no more than one and half inch).

Idler side:

Drive side:



CONSTRUCTION DETAILS - General index 7 2 1 1 0 a -

◀ back continue ▶

7 2 1 1 5 a Conveyor length and speed stainless steel chains

7 2 1 4 4 a Return part construction

7 2 1 7 2 a Head to tail transfer with roller modules

7 2 1 4 0 a Construction recommendations

7 2 1 4 8 a Rotating Rollers, Guide Shoes, Wearstrips & Serpentine

7 2 2 1 5 a Wearstrips for chains and belt with difference thickness

7 2 1 4 2 a Tensioner

7 2 1 6 2 a Transfers

7 2 2 1 7 a Selection of wearstrips material



Chains & sprockets	Wear strips	Side guide brackets & accessories	Levelers	Engineering manual
Modular belts & sprockets	Chain & belt return systems	Frame & structure supports	Bearing supports	
Curves & tracks	Side guide solutions	Miscellaneous products	Equipment	

7 2 2 0 0 a

CHAIN'S WEARSTRIPS

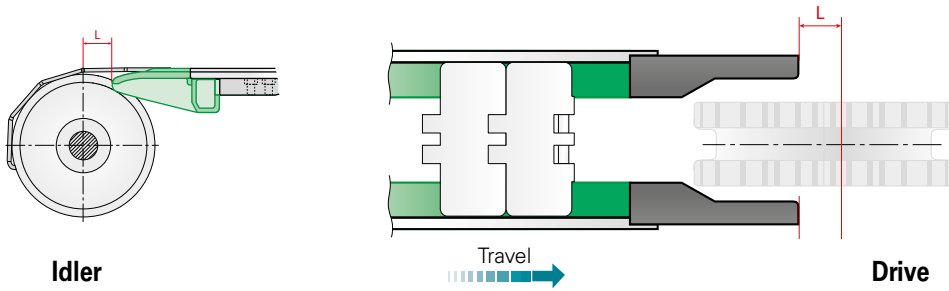
WEARSTRIPS



◀ back

For standard chains we recommend L = chain pitch= 38,1 mm.

Standard infeed shoes are available to optimize the guiding of the chain and to reduce noise.

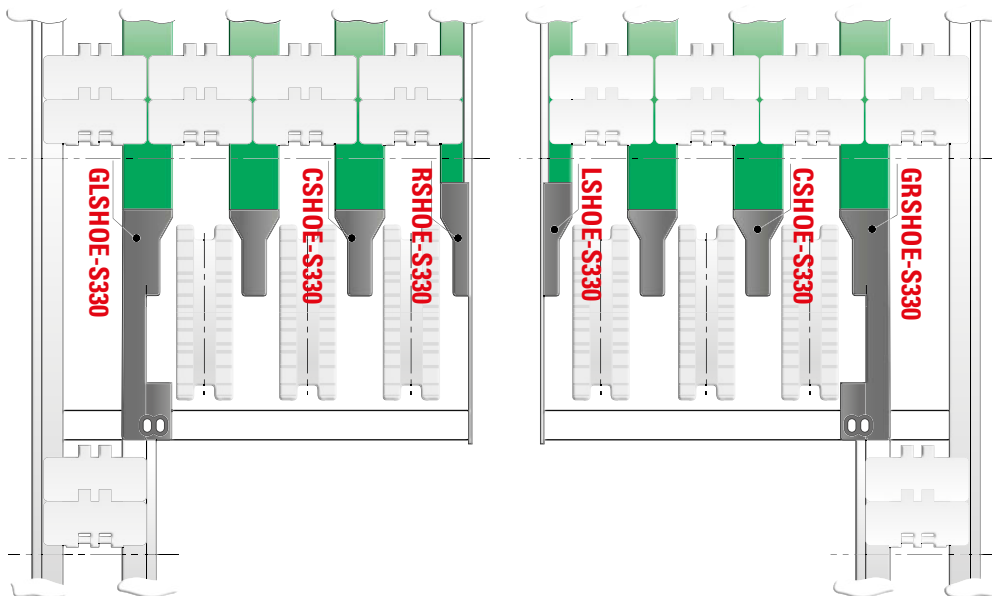


For index wearstrips.
Go to product page:

5 0 5 1 0 a

For infeed shoes.
Go to product page:

5 0 6 0 0 a
5 0 6 0 0 b



ITEM DESCRIPTION
LSHOE-S330
RSHOE-S330
GLSHOE-S330
GRSHOE-S330
CSHOE-S330



CONSTRUCTION DETAILS - General index 7 2 1 1 0 a -

◀ back

7 2 1 1 5 a Conveyor length and speed stainless steel chains

7 2 1 4 4 a Return part construction

7 2 1 7 2 a Head to tail transfer with roller modules

7 2 1 4 0 a Construction recommendations

7 2 1 4 8 a Rotating Rollers, Guide Shoes, Wearstrips & Serpentine

7 2 2 1 5 a Wearstrips for chains and belt with difference thickness

7 2 1 4 2 a Tensioner

7 2 1 6 2 a Transfers

7 2 2 1 7 a Selection of wearstrips material



Chains & sprockets	Wear strips	Side guide brackets & accessories	Levelers	Engineering manual
Modular belts & sprockets	Chain & belt return systems	Frame & structure supports	Bearing supports	
Curves & tracks	Side guide solutions	Miscellaneous products	Equipment	

7 2 2 0 5 a

BELT'S WEARSTRIPS

WEARSTRIPS



continue ▶

CONSTRUCTION:

There are different ways of supporting a belt with wearstrips:

- parallel support: multiple strand belts with positioners;
- full support: in case of heavy load and/or high impact;
- chevron/herringbone: wider belts in abrasive conditions.

Further than physically supporting the chain or belt, wearstrips are important to ensure a smooth running of chain and belt by providing a low friction, high wear and impact resistance surface. These properties are related to the material of the wearstrips.

System Plast available wearstrips materials are UHMWPE, ANTISTATIC UHMWPE, Nolu®-S parts, etc.

Nolu-S parts reduce the coefficient of friction, reduce the slip stick effect, save energy and have the best sliding properties.

Using wearstrips instead of the steel frame for support have the benefit to provide an easily replaced wear surface.

Wearstrips material datasheets are available upon request to customer care.

For index wearstrips.

Go to product page:

5 0 5 1 0 a

For Wearstrips material selection. Go to:

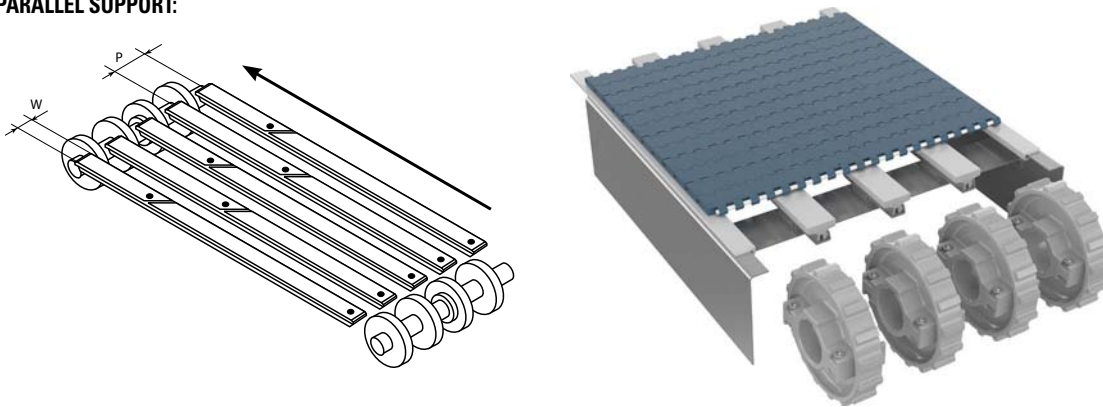
7 2 2 1 7 a

For coefficient of friction between chain/belt and wearstrip.

Go to:

7 3 5 7 8 a

PARALLEL SUPPORT:



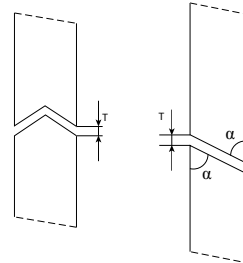
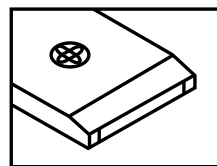
RECOMMENDED DIMENSIONS:

W= Width of the wearstrip ≥ 40 mm (1.6")

P= Pitch of the wearstrips: mostly 85 mm. For 2122 belts series, the pitch can be 100 mm.

Or 3"-6" for imperial belt sizes.

Make sure the wearstrip is chamfered at the entry side and that there's enough space between the lengths of wearstrip (T) to absorb thermal expansion



GENERAL DIMENSIONS:

T= ± 10 mm (±0.4").

The gap (T) should never be larger than the belt pitch.

Check thermal expansion rates. See: **7 3 5 2 6 a**

α=30°

Attention: T and α need to be high larger in case of extreme thermal expansion.

Consult our Technical Support for help.



CONSTRUCTION DETAILS - General index **7 2 1 1 0 a** -

continue ▶

7 2 1 1 7 a Conveyor length and speed plastic chains and belts

7 2 1 4 2 a Tensioner

7 2 1 6 2 a Transfers

7 2 1 2 0 a Sprocket position for belts

7 2 1 4 4 a Return part construction

7 2 1 7 2 a Head to tail transfer with roller modules

7 2 1 4 0 a Construction recommendations

7 2 1 4 8 a Rotating Rollers, Guide Shoes, Wearstrips & Serpentine

7 2 2 1 7 a Nosebar transfer (only 2120)

Chains & sprockets	Wear strips	Side guide brackets & accessories	Levelers	Engineering manual
Modular belts & sprockets	Chain & belt return systems	Frame & structure supports	Bearing supports	
Curves & tracks	Side guide solutions	Miscellaneous products	Equipment	

7 2 2 0 7 a

BELT'S WEARSTRIPS

WEARSTRIPS



EXAMPLES OF TYPICAL BELT INSTALLATION WITH WEARSTRIPS:

On the straight track, many existing wearstrip (included wear bed and bar caps) from our extensive range can be used. Go to wearstrips index: **5 0 5 1 0 a**

◀ back continue ▶

When calculating the suitable conveyor width, leave a clearance between belt and outer wearstrip to absorb thermal expansion and belt width plus tolerance. This clearance should be a bit more than the expected thermal expansion (see belt thermal expansion calculation at page **7 3 5 2 6 a**). In the below conveyor drawing (fig.2), the overall clearance is 4 mm (C-B), meaning 2 mm each side.

Since the belts are made with a modular width system of 85 mm (3.3") or 76.2 mm (3"), it is recommended to use this same spacing for the wearstrip/ wear-bed / bar caps arrangement as well. Following above criteria, in below examples the pitch of wearstrips / wear-bed / bar caps (central) is 85 mm. In case of high load or high abrasive application, wearstrips pitch can be less than 85 mm (3.3") or 76.2 mm (3");

In case the product to be conveyed has "feet" or small contact points, the wearstrips should be positioned underneath these points.

For belts with double positioners, bear mindful to leave the appropriate gap (recommended 44 mm) between the adjacent wearstrips where the positioners are located. See below fig. 1:

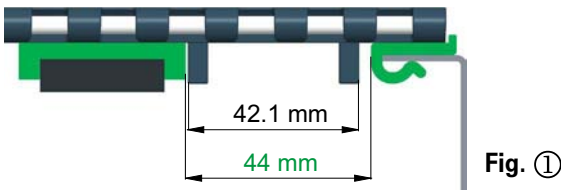


Fig. ①

PARALLEL SUPPORT WITH WEARSTRIPS:

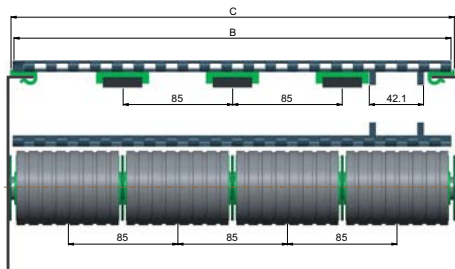
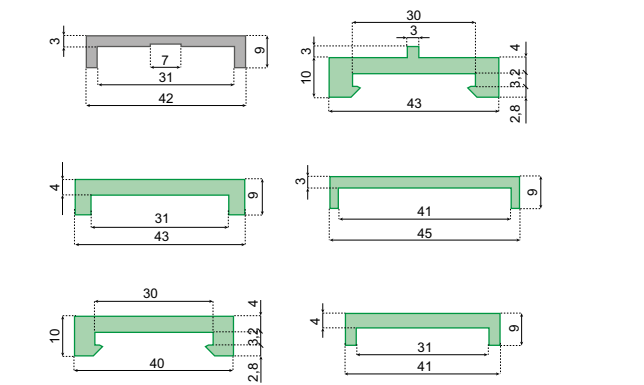


Fig. ②

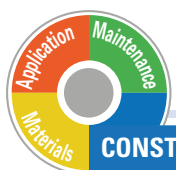
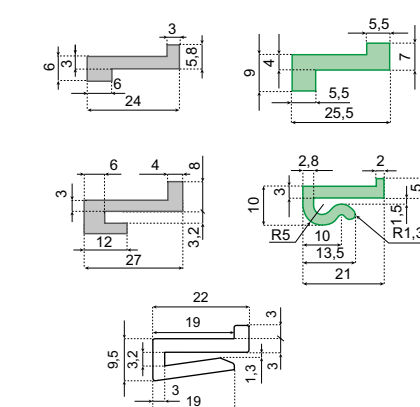
Conveyor width (C)	344 mm
belt width (B)	340 mm
Pitch P	85 mm
Central wearstrips width	> 40 mm
Outer wearstrips width	> 20 mm

Wearstrips that can be used with parallel configuration. Dimensions in mm.

CENTRAL WEARSTRIPS



OUTER WEARSTRIPS



Central wearstrip index. Go to: **5 0 5 6 0 a**
5 0 5 8 0 a
5 0 5 5 0 a

Outer wearstrip index. Go to: **5 0 5 2 0 a**
5 0 5 3 0 a

◀ back continue ▶

CONSTRUCTION DETAILS - General index 7 2 1 1 0 a -

- 7 2 1 1 7 a** Conveyor length and speed plastic chains and belts
- 7 2 1 4 2 a** Tensioner
- 7 2 1 6 2 a** Transfers
- 7 2 1 2 0 a** Sprocket position for belts
- 7 2 1 4 4 a** Return part construction
- 7 2 1 7 2 a** Head to tail transfer with roller modules
- 7 2 1 4 0 a** Construction recommendations
- 7 2 1 4 8 a** Rotating Rollers, Guide Shoes, Wearstrips & Serpentine
- 7 2 2 1 7 a** Nosebar transfer (only 2120)

Chains & sprockets	Wear strips	Side guide brackets & accessories	Levelers	Engineering manual
Modular belts & sprockets	Chain & belt return systems	Frame & structure supports	Bearing supports	
Curves & tracks	Side guide solutions	Miscellaneous products	Equipment	

7 2 2 0 9 a

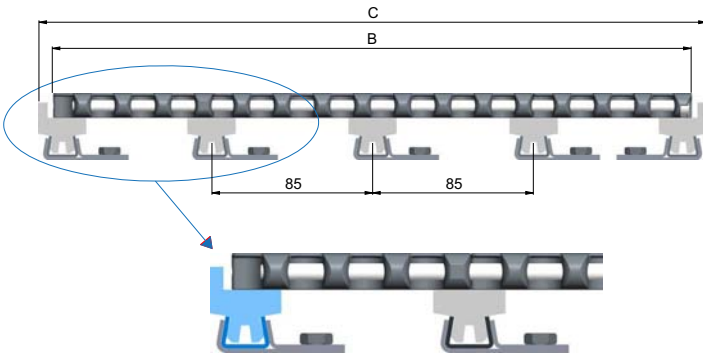
BELT'S WEARSTRIPS

WEARSTRIPS



◀ back continue ▶

PARALLEL SUPPORT WITH WEAR BED



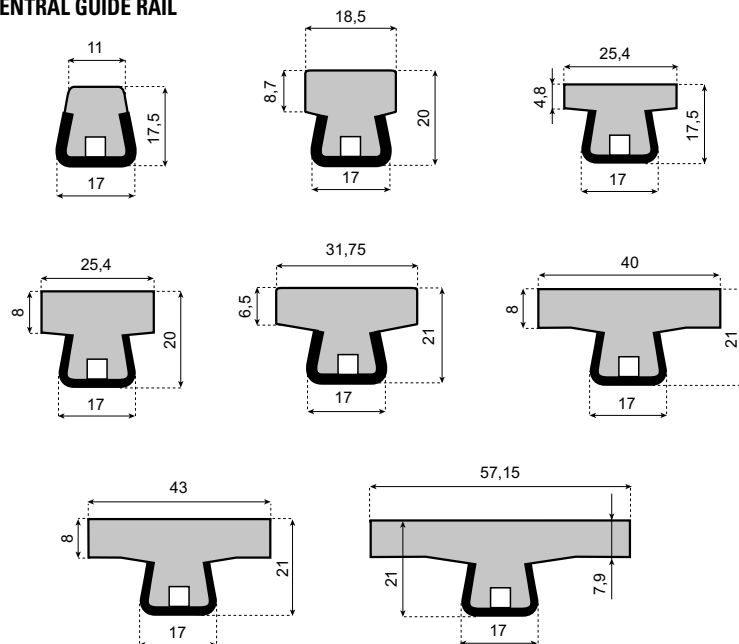
Conveyor width (C)	344 mm
Belt width (B)	340 mm
Pitch P	85 mm
Central wearstrips width	> 20 mm
Outer wearstrips width	> 20 mm

Valu Guide® rail can be used to form a wear bed grid for metal or plastic belts. Only stainless steel rail should be used in this application to avoid rust.

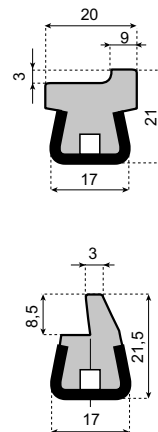
NOTE: For uniform distribution of load over width of belt, use the same type of guide throughout your application.

Guide rail which can be used with parallel configuration for wear bed. Dimensions in mm.

CENTRAL GUIDE RAIL



OUTER GUIDE RAIL



Central guide rail index.
Go to: **5 1 5 2 0 a**
5 1 5 2 0 b
5 1 5 2 0 c

Outer wearstrip index.
Go to: **5 1 5 2 0 c**



CONSTRUCTION DETAILS - General index 7 2 1 1 0 a -

◀ back continue ▶

7 2 1 1 7 a Conveyor length and speed plastic chains and belts

7 2 1 4 2 a Tensioner

7 2 1 6 2 a Transfers

7 2 1 2 0 a Sprocket position for belts

7 2 1 4 4 a Return part construction

7 2 1 7 2 a Head to tail transfer with roller modules

7 2 1 4 0 a Construction recommendations

7 2 1 4 8 a Rotating Rollers, Guide Shoes, Wearstrips & Serpentine

7 2 2 1 7 a Nosebar transfer (only 2120)

Chains & sprockets	Wear strips	Side guide brackets & accessories	Levelers	Engineering manual
Modular belts & sprockets	Chain & belt return systems	Frame & structure supports	Bearing supports	
Curves & tracks	Side guide solutions	Miscellaneous products	Equipment	



◀ back continue ▶

FULL SUPPORT:

In case of application with heavy loads or high impact, it's advisable to support the belt completely.

A full support system is a good way to keep the belt from bending/sagging when conveying high load product.

Bear in mind that a full support can also easily collect dust and dirt. Make sure abrasives can leave the system. It's possible to drill holes in the support bed or create a gap from one bed to the next to allow debris to fall through.

For reasons of accessibility we recommend supporting the return way with rollers.

For belts with positioners, a full support can be used but grooves are obviously required for the positioners.

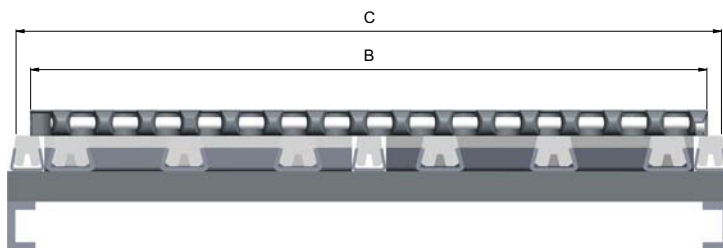
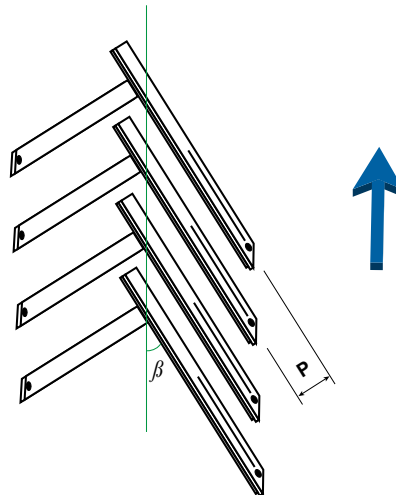
For index wearstrips.
Go to product page:

5 0 5 1 0 a

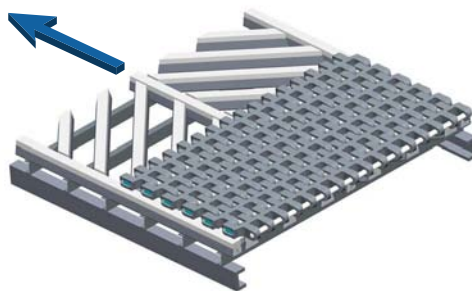
CHEVRON/HERRINGBONE:

The advantage of this principle is an even wear over the width of the belt, plus it allows the discharge of dirt and abrasive particles from the bottom. Therefore, we recommend this system in abrasive conditions.

The pitch (P) of the wearstrip depends on the application. Use small pitch for high load applications (more support).



Conveyor width (C)	344 mm
Belt width (B)	340 mm
Pitch of wearstrips	100-300 mm
Angle β	10-30°



7 2 1 1 7 a Conveyor length and speed plastic chains and belts

7 2 1 4 2 a Tensioner

7 2 1 6 2 a Transfers

7 2 1 2 0 a Sprocket position for belts

7 2 1 4 4 a Return part construction

7 2 1 7 2 a Head to tail transfer with roller modules

7 2 1 4 0 a Construction recommendations

7 2 1 4 8 a Rotating Rollers, Guide Shoes, Wearstrips & Serpentine

7 2 2 1 7 a Nosebar transfer (only 2120)



Chains & sprockets	Wear strips	Side guide brackets & accessories	Levelers	Engineering manual
Modular belts & sprockets	Chain & belt return systems	Frame & structure supports	Bearing supports	
Curves & tracks	Side guide solutions	Miscellaneous products	Equipment	

7 2 2 1 5 a WEARSTRIPS FOR CHAINS/BELTS WITH DIFFERENT THICKNESS

WEARSTRIPS

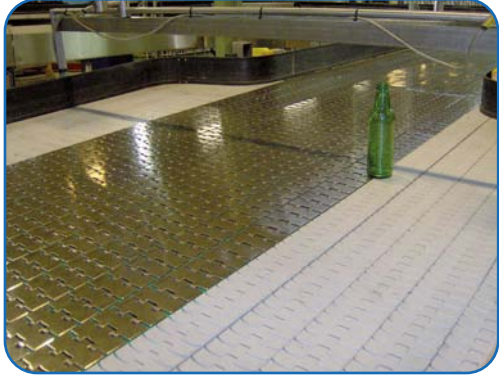


TRANSFERS BETWEEN COMMONLY USED CHAIN TYPES - BELTS:

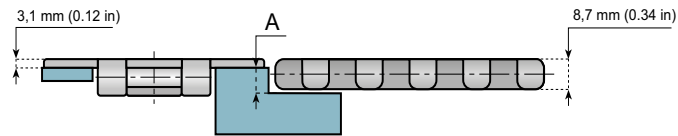
When a transfer must be made from one chain/belt type to another, a difference in thickness must be absorbed by the wearstrips.

Example: Stainless steel chain 815 to 2250 and 2260M belt:

◀ back continue ▶



The steel chain has a thickness of 3,1 mm (0.12 in) and the 2250 belt of 8,7 mm (0.34 in). That means the wearstrip should absorb 5,6 mm (0.22 in) of difference. See below table.



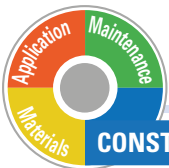
See table for other combinations:

CHAIN TYPE 1: THICKNESS 3.1 mm (0.12")	CHAIN TYPE 2: THICKNESS 4 mm (0.16")	CHAIN TYPE 3: THICKNESS 4.8 mm (0.19")	BELT TYPE 4: THICKNESS 8.7 mm (0.34")	BELT TYPE 5: THICKNESS 12.7 mm (0.5")
812	820	831	2120	2251
815	828	821	2121	2252
800/802/805	880	8257	2190	2556
8157	863	879	2250	2351
515	1863	878	2260	2451
881	1873	882	-	2251
8810	-	-	-	2651
8857	-	-	-	-
1874	-	-	-	-

Difference a or thickness combination matrix value in mm.

	CHAIN TYPE 1 (3.1 mm, 0.12")	CHAIN TYPE 2 (4 mm, 0.16")	CHAIN TYPE 3 (4.8 mm, 0.19")	CHAIN TYPE 4 (8.7 mm, 0.34")	CHAIN TYPE 5 (12.7 mm, 0.5")
CHAIN TYPE 1 (3.1 mm, 0.12")	0	0.9 (0.04")	1.7 (0.07")	5.6 (0.22")	9.6 (0.38")
CHAIN TYPE 2 (4 mm, 0.16")	0.9 (0.04")	0	0.8 (0.03")	4.7 (0.18")	8.7 (0.34")
CHAIN TYPE 3 (4.8 mm, 0.19")	1.7 (0.07")	0.8 (0.03")	0	3.9 (0.15")	7.9 (0.31")
BELT TYPE 4 (8.7 mm, 0.34")	5.6 (0.22")	4.7 (0.18")	3.9 (0.15")	0	4 (0.16")
BELT TYPE 5 (12.7 mm, 0.5")	9.6 (0.38")	8.7 (0.34")	7.9 (0.31")	4 (0.16")	0

Difference A or thickness combination matrix. Value in mm (").



CONSTRUCTION DETAILS - General index 7 2 1 1 0 a -

◀ back continue ▶

7 2 1 1 5 a Conveyor length and speed stainless steel chains

7 2 1 4 0 a Construction recommendations

7 2 1 4 8 a Rotating Rollers, Guide Shoes, Wearstrips & Serpentine

7 2 1 1 7 a Conveyor length and speed plastic chains and belts

7 2 1 4 2 a Tensioner

7 2 1 6 2 a Transfers

7 2 1 3 0 a Matching sprockets sizes for chains and belts running side by side

7 2 1 4 4 a Return part construction

7 2 1 7 2 a Head to tail transfer with roller modules



Chains & sprockets	Wear strips	Side guide brackets & accessories	Levelers	Engineering manual
Modular belts & sprockets	Chain & belt return systems	Frame & structure supports	Bearing supports	
Curves & tracks	Side guide solutions	Miscellaneous products	Equipment	



◀ back

WEARSTRIP MATERIAL	STEEL CHAINS	PLASTIC CHAINS & BELTS	
	LUBRICATED	DRY	LUBRICATED
UHMWPE	recommended	Satisfactory for < 80 m/min (262.4 ft/min)	recommended
NOLU®-S PARTS	possible	recommended	possible
POLYAMIDE	Not recommended	possible	possible
STAINLESS STEEL	Not recommended	possible	possible
CARBON STEEL	Not applicable	possible	Not applicable
WOOD	Not applicable	possible	Not applicable

Temperature limits and chemical resistance of wearstrip materials must be considered.

UHMWPE

- to be used in non-abrasive conditions

NOLU®-S PARTS

- UHMWPE with built in dry lubricant
- offers even lower coefficient of friction and less noise emission than standard UHMWPE
- basic material properties are similar to UHMWPE

POLYAMIDE

- to be used in slightly abrasive conditions
- absorption of moisture to be considered

STAINLESS STEEL

- recommended for abrasive conditions and high temperature applications
- lubrication is typically required
- hardness of > 25-30 HRC is required
- roughness of max. 1.6µm is recommended

CARBON STEEL

- recommended for abrasive conditions
- hardness above 45 HRC is recommended
- roughness of max. 1.6µm is recommended

WOOD

- optional
- for heavy duty applications as corrugated or when a full flat support is needed

Wearstrips material datasheets are available upon request to our customer care.

Wearstrips- Chains.
Go to:

7 2 1 9 5 a

Wearstrips- Belts.
Go to:

7 2 2 0 5 a

Material chemical
compatibility.

Go to:

7 3 5 8 6 a



◀ back

7 2 1 1 5 a Conveyor length and speed stainless steel chains

7 2 1 4 0 a Construction recommendations

7 2 1 4 8 a Rotating Rollers, Guide Shoes, Wearstrips & Serpentine

7 2 1 1 7 a Conveyor length and speed plastic chains and belts

7 2 1 4 2 a Tensioner

7 2 1 6 2 a Transfers

7 2 1 9 5 a Wearstrip

7 2 1 4 4 a Return part construction

7 2 1 7 2 a Head to tail transfer with roller modules



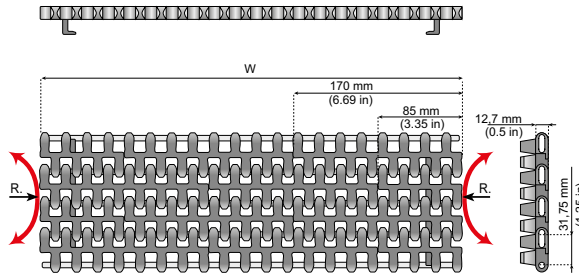
Chains & sprockets	Wear strips	Side guide brackets & accessories	Levelers	Engineering manual
Modular belts & sprockets	Chain & belt return systems	Frame & structure supports	Bearing supports	
Curves & tracks	Side guide solutions	Miscellaneous products	Equipment	



BELTS SPECIFICATIONS:

TYPE 2351: STANDARD

- S CURVE POSSIBLE
- Available with No TAB or 2 TAB
- Maximum load of 2500 N (560 lbs) on curve section;
- Maximum load of 30000 N/m (2000lbs/ft.) on straight section;
- Curve ratio 1.6 min.



continue ▶

For 2351 and 2551 belt.
Go to product page:

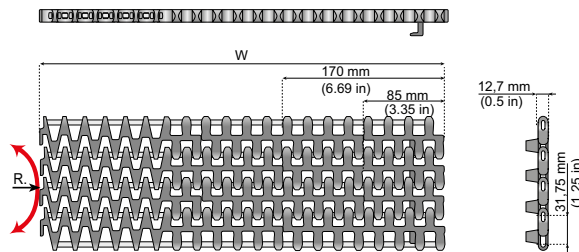
3 0 7 4 5 a

For 2451 and 2651 belt.
Go to product page:

3 0 7 5 0 a

TYPE 2551: STANDARD - SMALL RADIUS

- LEFT OR RIGHT CURVE OR U-TURNS ONLY
- Available with No TAB or 1 TAB
- Maximum load of 2500 N (560 lbs) on curve section;
- Maximum load of 30000 N/m (2000lbs/ft.) on straight section;
- Curve ratio 1.0 min.

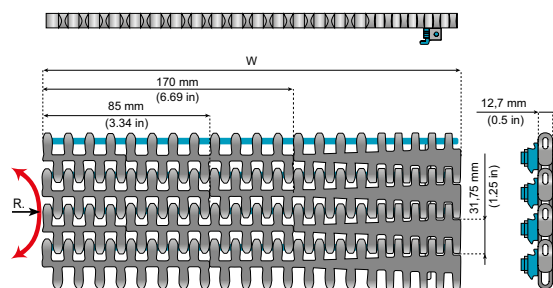


Powerflex™
belt assembly.
Go to:

7 3 0 4 1 a

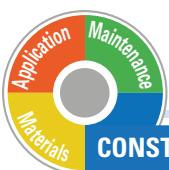
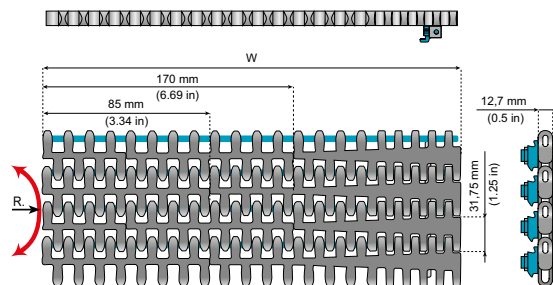
TYPE 2451: HEAVY DUTY - STANDARD

- LEFT OR RIGHT CURVE OR U-TURNS ONLY
- Replaceable Heavy-Duty TAB
- Maximum load of 3500 N (790 lbs) on curve section;
- Maximum load of 30000 N/m (2000lbs/ft.) on straight section;
- Curve ratio 1.6 min.



TYPE 2651: HEAVY DUTY - SMALL RADIUS

- LEFT OR RIGHT CURVE OR U-TURNS ONLY
- Replaceable Heavy-Duty TAB
- Maximum load of 3500 N (790 lbs) on curve section;
- Maximum load of 30000 N/m (2000lbs/ft.) on straight section;
- Curve ratio 1.0 min.



CONSTRUCTION DETAILS - General index **7 2 1 1 0 a** -

continue ▶

7 2 1 1 7 a Conveyor length and speed plastic chains and belts

7 2 1 4 0 a Construction recommendations

7 2 1 4 8 a Rotating Rollers, Guide Shoes, Wearstrips & Serpentine

7 2 1 3 6 a Curve system - Belts

7 2 1 4 2 a Tensioner

7 2 1 6 2 a Transfers

7 2 1 3 8 a Load on curves

7 2 1 4 6 a Return part construction - Belts

7 2 2 6 0 a 2256 Sideflexing belt



Chains & sprockets	Wear strips	Side guide brackets & accessories	Levelers	Engineering manual
Modular belts & sprockets	Chain & belt return systems	Frame & structure supports	Bearing supports	
Curves & tracks	Side guide solutions	Miscellaneous products	Equipment	



CALCULATION INFORMATION:

Powerflex modular side flexing belts are used to convey packs and boxes. In most applications the load on the belt can be relatively high because:

- The products are heavy
- There is usually no lubrication
- Many times the belts has to make a 180° turn
- In the curve there is only a limited part of the belt (only the outer part) that is pulling.

Therefore, it is important that every application of a side flexing belt is calculated prior to fixing the final layout of the line. It's also important to follow the instructions, especially when designing conveyor with 180° curve with Powerflex belt.

A sideflexing belt conveyor needs to be built precise and stable to make sure it runs smooth and unnecessary extra load is avoided.

System Plast application engineers will be glad to assist you with the calculations and the design of the conveyors.



◀ back continue ▶

For 2351 and 2551 belt.
Go to product page:
3 0 7 4 5 a

For 2451 and 2651 belt.
Go to product page:
3 0 7 5 0 a

Powerflex™
belt assembly.
Go to:
7 3 0 4 1 a

CONVEYOR OPTIMUM LAYOUT:

When you are implementing a conveyor with a side flexing belt in a layout, there are several things to consider.

We recommend positioning the curve close to the idler end rather than close to the drive side (see below illustration 1). This will reduce the force on the belt in the curve. Once the belt is on the straight section between the last curve and the drive end, there usually is no problem to add some length to the conveyor. On the straight section the strength of the belt is quite high.

For recommendations regarding optimum layout including the minimum straight section before, after and in between curves, see following illustrations:

1- KEEP STRAIGHT SECTIONS BEFORE 180° CURVES SHORT.

In order to reduce the load on the curve and to optimize the service life we recommended to keep the straight sections before curves shorter rather than longer.

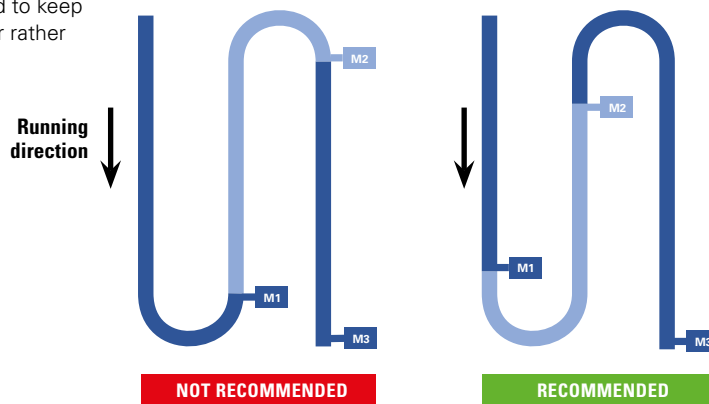


FIG.1



◀ back continue ▶



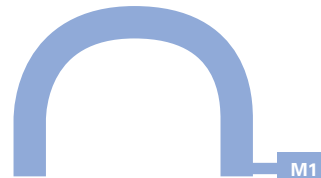
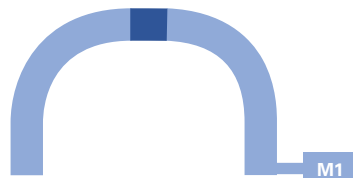
Chains & sprockets	Wear strips	Side guide brackets & accessories	Levelers	Engineering manual
Modular belts & sprockets	Chain & belt return systems	Frame & structure supports	Bearing supports	
Curves & tracks	Side guide solutions	Miscellaneous products	Equipment	



2- AVOID SHORT STRAIGHT SECTIONS BETWEEN TWO 90° CURVES.

In case of a 180° curve try to avoid short straight sections between the 90° sections to guarantee a smooth movement in the curve.

◀ back continue ▶



For 2351 and 2551 belt.
Go to product page:
3 0 7 4 5 a

For 2451 and 2651 belt.
Go to product page:
3 0 7 5 0 a

Powerflex™
belt assembly.
Go to:

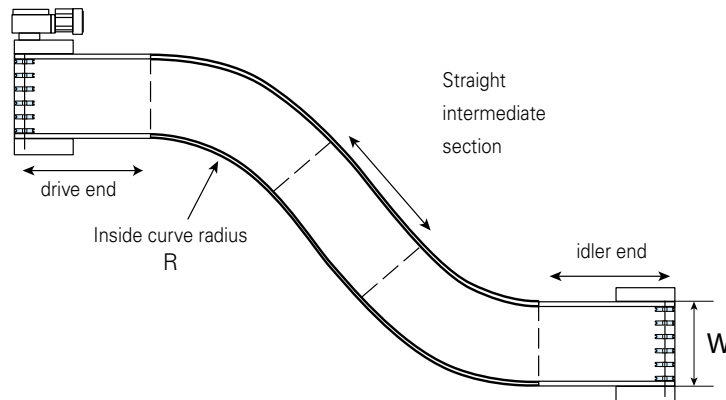
7 3 0 4 1 a

3- MINIMUM STRAIGHT SECTION BEFORE AND AFTER CURVES.

Length of straight section 'drive end':
1 x belt width with a minimum of 800mm

Length of straight section 'idler end':
1 x belt width with a minimum of 500mm

Length of straight intermediate section for
S-curves with 2351 type belt:
Minimum 1.5 x belt width



4- MINIMUM INSIDE CURVE RADIUS R

See below table

MINIMUM INSIDE CURVE RADIUS R - (mm)				
BELT WIDTH W (mm)	2351	2451	2551	2651
255	408	-	-	-
340	545	545	340	-
425	680	680	425	425
510	840	840	510	510
595	980	980	595	595
680	1150	1150	680	680
765	1300	1300	850	850
850	1450	1450	1050	1050



◀ back continue ▶

7 2 1 1 7 a Conveyor length and speed plastic chains and belts

7 2 1 4 0 a Construction recommendations

7 2 1 4 8 a Rotating Rollers, Guide Shoes, Wearstrips & Serpentine

7 2 1 3 6 a Curve system - Belts

7 2 1 4 2 a Tensioner

7 2 1 6 2 a Transfers

7 2 1 3 8 a Load on curves

7 2 1 4 6 a Return part construction - Belts

7 2 2 6 0 a 2256 Sideflexing belt



Chains & sprockets	Wear strips	Side guide brackets & accessories	Levelers	Engineering manual
Modular belts & sprockets	Chain & belt return systems	Frame & structure supports	Bearing supports	
Curves & tracks	Side guide solutions	Miscellaneous products	Equipment	

DESIGN RECOMMENDATIONS

Make sure there is enough clearance between belt and guide. An insufficient clearance will lead to unnecessary extra load on the belt. It is very important to build the conveyor frame very accurately and rigid enough to guarantee the same clearance throughout.

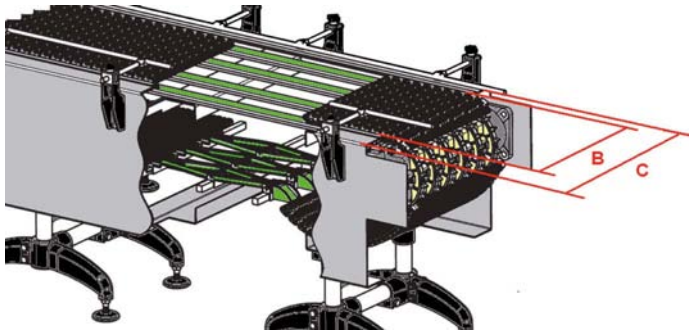


◀ back continue ▶

STRAIGHT SECTIONS DESIGN:

The design of Powerflex belts straight section is similar to commonly applied standard constructions.

Here you can find some commonly applied standard constructions and recommended tolerances for designing straight sections of conveyor using the Powerflex belts.



Example:
end drive and serpentine return

B = belt width, example 425 mm

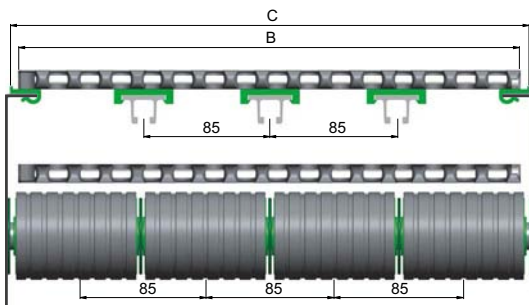
C = conveyor width in straight sections = 425 + 3 (inside) + 3 (outside) = 431 mm net (side frame thickness not considered)

C = conveyor width in curve sections = 425 + 5 (inside) + 5 (outside) = 435 mm net (side frame thickness not considered)

Note: A catenary sag is required directly after the drive in the return part

Carry and return part

A possible cross section design of straight carry and return part is this:



For location of TABs and other dimensions refer to catalogue.

Return rollers with rubber coating offer low noise and extended service life.

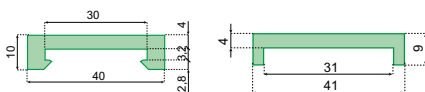
(Dimensions are expressed in millimeter)

Since the belts are made with a modular width system of 85 mm, it is recommended to use this system for the wearstrip arrangement as well.

On the straight track, any existing wearstrip from our extensive range can be used.

EXAMPLES of wearstrips:

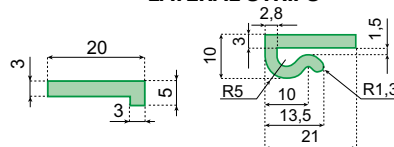
CENTRAL STRIPS



VG-P330CM

VG-U3041M

LATERAL STRIPS



VG-L20M-G-200

VG-J21M-G-200

For good sliding properties Nolu®-S parts are recommended. This reduces the chain pull and extends the service life.



Chains & sprockets	Wear strips	Side guide brackets & accessories	Levelers	Engineering manual
Modular belts & sprockets	Chain & belt return systems	Frame & structure supports	Bearing supports	
Curves & tracks	Side guide solutions	Miscellaneous products	Equipment	



CURVE SECTIONS DESIGN:

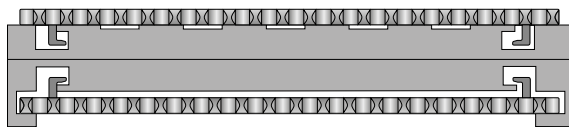
There are three options:

1- SOLID MACHINED CURVE:

This can only be offered on request and according to customer's drawing.

Solid machined curve is available for sideflexing belt with width up to 425 mm.

Design principle is similar to existing TAB curves for TAB chains. Here below a different curve design.

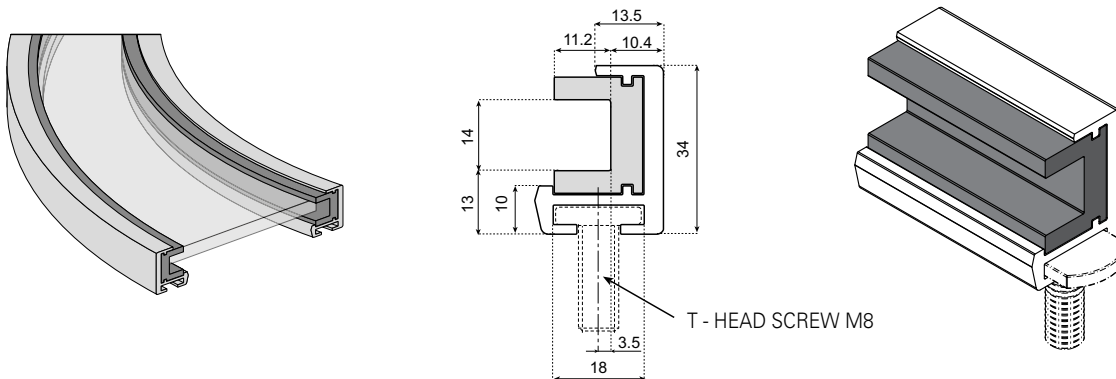


2- SIDE GUIDING PROFILES FOR SIDEFLEXING BELTS WITHOUT TAB:

When a belt without TABs is used, it needs to be guided in the curve on both sides.

Aluminum and Nolu®-S guide rail profiles for stable and low friction guiding and supporting of modular side flexing belts.

Minimum radius 457 mm (inside edge).



When designing the curve we recommend to consider the tolerance width of belt plus 10 mm of clearance, 5 mm each side.

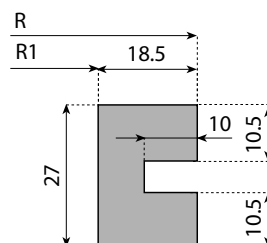
3- GUIDING THE BELTS ON THE TAB WITH DEDICATED PROFILES:

Dedicated guiding profile for standard or Heavy duty belt types.

This is fixed to the metal frame construction.

These Nolu®-SR parts are available in 3 meter lengths.

(Dimensions are expressed in millimeter)



◀ back continue ▶

For profile index.
Go to product page:

5 0 5 7 0 a

For 2351 and 2551 belt.

Go to product page:

3 0 7 4 5 a

For 2451 and 2651 belt.

Go to product page:

3 0 7 5 0 a

Powerflex™
belt assembly.

Go to:

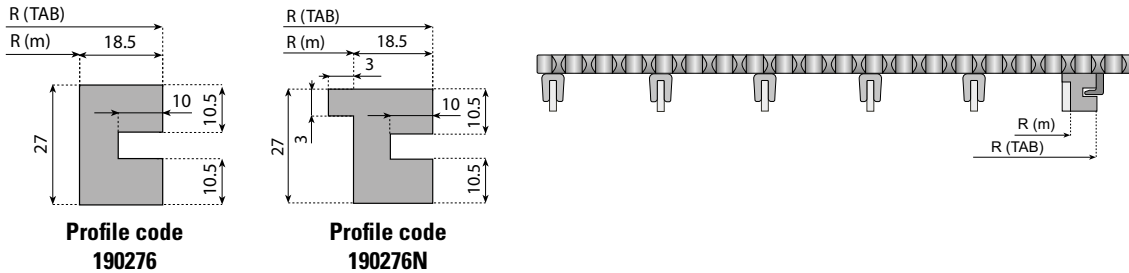
7 3 0 4 1 a ▶



Chains & sprockets	Wear strips	Side guide brackets & accessories	Levelers	Engineering manual
Modular belts & sprockets	Chain & belt return systems	Frame & structure supports	Bearing supports	
Curves & tracks	Side guide solutions	Miscellaneous products	Equipment	



3A - GUIDING PROFILE FOR SERIES 2351 AND 2551



◀ back continue ▶

Bar cap.
Go to product page:
5 0 6 5 0 a

For 2351 and 2551 belt.
Go to product page:
3 0 7 4 5 a

For 2451 and 2651 belt.
Go to product page:
3 0 7 5 0 a

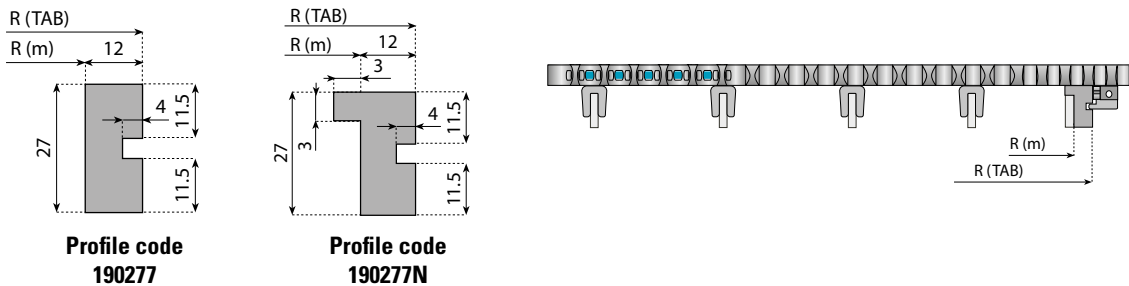
Powerflex™
belt assembly.
Go to:

7 3 0 4 1 a ▶

BELT WIDTH W (mm)	MIN. RADIUS FOR 2351		MIN. RADIUS FOR 2551	
	R (TAB)	R(m)	R (TAB)	R(m)
	mm			
255	634,5	616	-	-
340	856,5	838	651,5	633
425	1076,5	1058	821,5	803
510	1321,5	1303	991,5	973
595	1546,5	1528	1161,5	1143
680	1801,5	1783	1331,5	1313
765	2036,5	2018	1586,5	1568
850	2271,5	2253	1871,5	1853

R(m) = outside edge of the mating part to which the guide profile is mounted.

3B - GUIDING PROFILE FOR SERIES 2451 AND 2651



BELT WIDTH W (mm)	MIN. RADIUS FOR 2451		MIN. RADIUS FOR 2651	
	R (TAB)	R(m)	R (TAB)	R(m)
	mm			
340	850	838	-	-
425	1070	1058	815	803
510	1315	1303	985	973
595	1540	1528	1155	1143
680	1795	1783	1325	1313
765	2030	2018	1580	1568
850	2265	2253	1865	1853



◀ back continue ▶

7 2 1 1 7 a Conveyor length and speed plastic chains and belts

7 2 1 4 0 a Construction recommendations

7 2 1 4 8 a Rotating Rollers, Guide Shoes, Wearstrips & Serpentine

7 2 1 3 6 a Curve system - Belts

7 2 1 4 2 a Tensioner

7 2 1 6 2 a Transfers

7 2 1 3 8 a Load on curves

7 2 1 4 6 a Return part construction - Belts

7 2 2 6 0 a 2256 Sideflexing belt



Chains & sprockets	Wear strips	Side guide brackets & accessories	Levelers	Engineering manual
Modular belts & sprockets	Chain & belt return systems	Frame & structure supports	Bearing supports	
Curves & tracks	Side guide solutions	Miscellaneous products	Equipment	



◀ back continue ▶

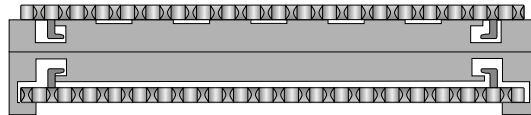
CURVE RETURN PART:

2351 SERIES WITH TWO TABS:

For belt widths up to 425 mm a full machined curve like this is possible.

Serpentine wearstrips are required for belts wider than 425 mm.

Supporting profiles are required in the return for all belts wider than 425mm.



For 2351 and 2551 belt.
Go to product page:

3 0 7 4 5 a

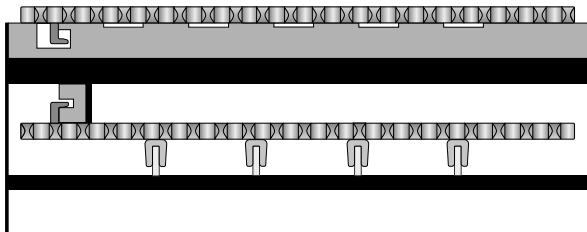
For 2451 and 2651 belt.
Go to product page:

3 0 7 5 0 a

ALL POWERFLEX BELTS SERIES WITH ONE TAB: 2451, 2551 AND 2651

2551 with one TAB:

Machined upper part curve, return with guiding and supporting profiles: make sure the return support is leveled in order to avoid TAB pushing against the upper part of the profile.

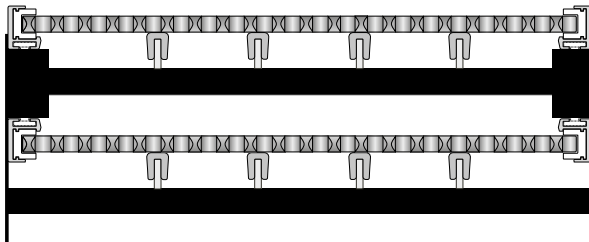


Powerflex™
belt assembly.
Go to:

7 3 0 4 1 a

2551 without TAB:

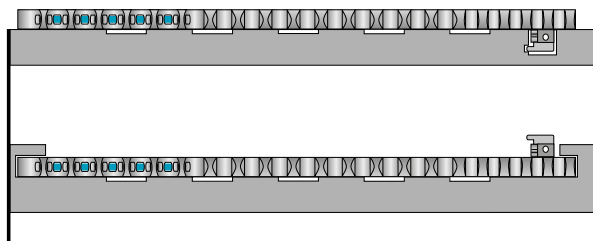
Aluminum and Nolu®-S parts guiding rail and supporting bar cap profile for curve upper and return part.



When design the curve we recommend to consider the tolerance width of belt plus 10 mm of clearance, 5 mm each side.

2651 and 2451 with one TAB:

Machined upper and lower part curve.



◀ back continue ▶



Chains & sprockets	Wear strips	Side guide brackets & accessories	Levelers	Engineering manual
Modular belts & sprockets	Chain & belt return systems	Frame & structure supports	Bearing supports	
Curves & tracks	Side guide solutions	Miscellaneous products	Equipment	



When a full curve is used, supporting return rollers or serpentine are required for belts wider than 425 mm.



◀ back continue ▶

For 2351 and 2551 belt.
Go to product page:
3 0 7 4 5 a

For 2451 and 2651 belt.
Go to product page:
3 0 7 5 0 a

Powerflex™
belt assembly.
Go to:

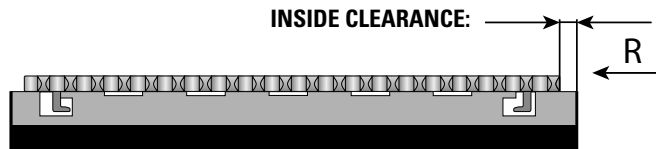
7 3 0 4 1 a

CLEARANCE ON THE CURVE SECTION:

In any case, make sure that the belt does not touch the inner edge of the conveyor construction.

A clearance of 10 mm is recommended.

Since the belt is guided at the outside, any width expansion will be transferred towards the inside of the curve.



INCLINED / DECLINED CONVEYOR DESIGN WITH 2351 RUBBER INSERT BELT:

Powerflex belt series 2351 can be used for inclined and declined conveyor. For further details, please refer to dedicated section at page **7 2 5 4 0 a**

MATERIAL

We recommend Nolu®-SR parts for its high wear resistance and at the same time excellent sliding properties.

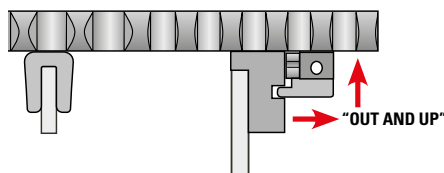
Other options are:

- Extra strip: A stainless steel wearstrip fitted into a plastic curve. Proven excellent performance in dry applications and dirty environments. See page **7 2 5 1 5 a**
- Standard UHMWPE material: For lubricated applications with low wear expected.

TAKING THE BELT OUT OF THE CURVE:

When guiding the belt on the tab, the construction must offer enough space to lift the belt out of the curve. This guarantees enough space for the belt to be guided properly and makes the installation and maintenance of the belt easier.

A clearance of at least 6 mm for standard belts and 10 mm for heavy duty belts is recommended to move the belt towards the outside of the curve.



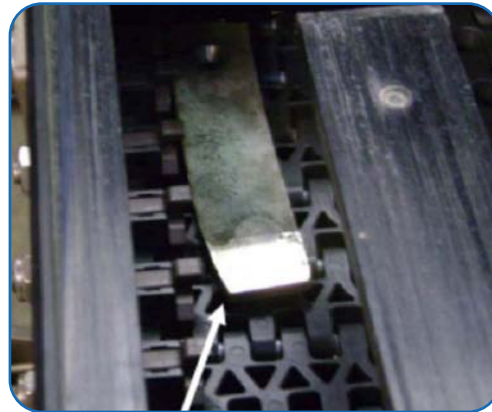
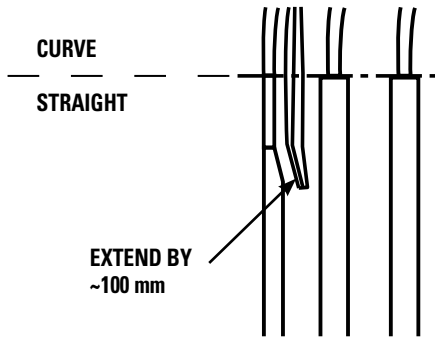
Chains & sprockets	Wear strips	Side guide brackets & accessories	Levelers	Engineering manual
Modular belts & sprockets	Chain & belt return systems	Frame & structure supports	Bearing supports	
Curves & tracks	Side guide solutions	Miscellaneous products	Equipment	



INFEED/OUTFEED:

It is strongly recommended to extend the curve tracks into the straight sections in order to run the belt smoothly into and out of the curve.

◀ back continue ▶



For 2351 and 2551 belt.
Go to product page:
3 0 7 4 5 a

For 2451 and 2651 belt.
Go to product page:
3 0 7 5 0 a

Powerflex™
belt assembly.
Go to:
7 3 0 4 1 a

An infeed chamfer also of the outer plastic curve or wearstrip material is recommended for smooth running.

Make sure that there is a proper chamfer both horizontal as well as vertical.



Cut like this



Chains & sprockets	Wear strips	Side guide brackets & accessories	Levelers	Engineering manual
Modular belts & sprockets	Chain & belt return systems	Frame & structure supports	Bearing supports	
Curves & tracks	Side guide solutions	Miscellaneous products	Equipment	



◀ back continue ▶

SPROCKET POSITIONS AND SUPPORTING WHEELS:

Since the teeth of the sprocket are pushing directly against the hinge, the precise sprocket position also depends on the running direction of the belt. The right position for both directions is given in the sketches below. For belt series 2451, 2551 and 2651 the offset must also be considered when the belt curve direction is changed (clock-wise / counter-clock-wise).

Note: Precise position of the sprockets must be determined during the installation to obtain optimum alignment.

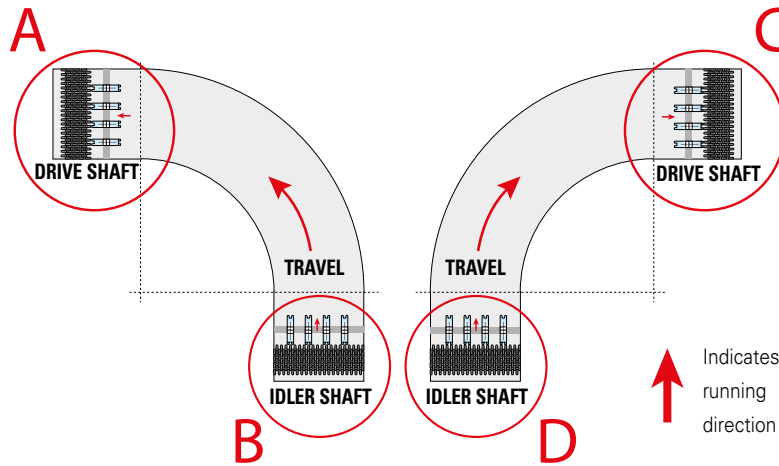
2351 SERIES:

Example 425 mm wide: 4 sprockets required

Sprockets Centre distance 85 mm

First sprocket located at 80/90 mm from the edge

Sprockets can be located over the whole width of the belt between the TABS



↑ Indicates running direction

For sprockets and idler wheels.

Go to product page:

3 0 7 6 0 a

For 2351 and 2551 belt.

Go to product page:

3 0 7 4 5 a

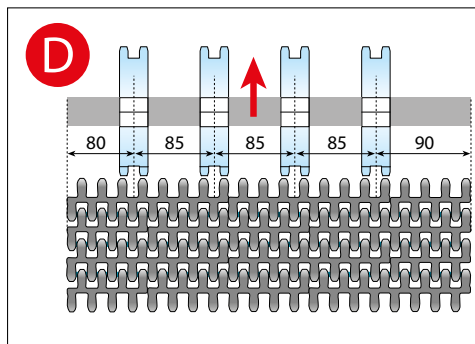
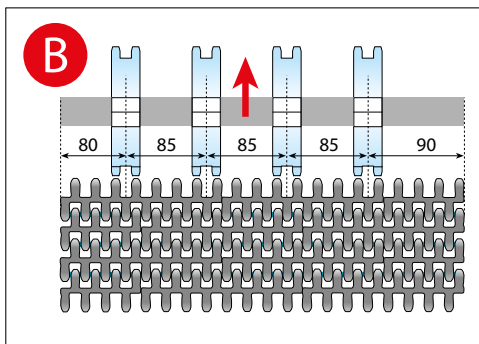
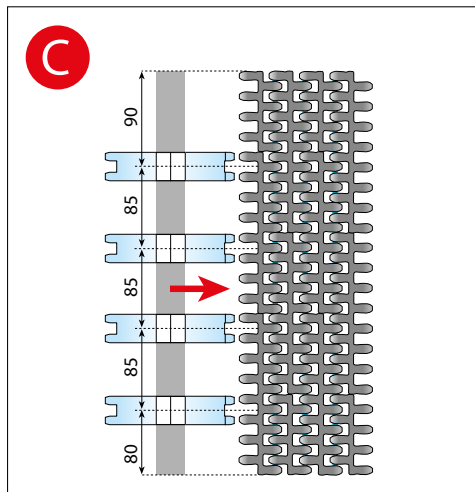
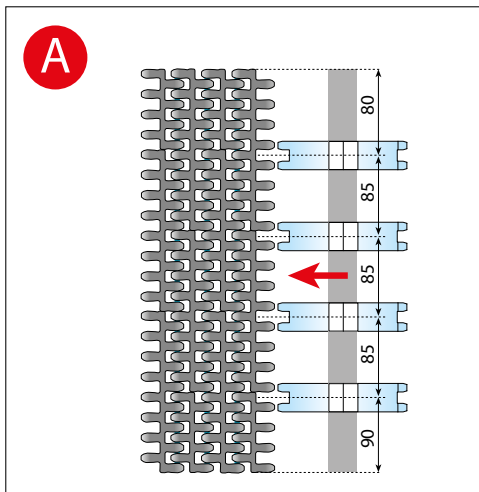
For 2451 and 2651 belt.

Go to product page:

3 0 7 5 0 a

Powerflex™ belt assembly.
Go to:

7 3 0 4 1 a



◀ back continue ▶

7 2 1 1 7 a Conveyor length and speed plastic chains and belts

7 2 1 4 0 a Construction recommendations

7 2 1 4 8 a Rotating Rollers, Guide Shoes, Wearstrips & Serpentine

7 2 1 3 6 a Curve system - Belts

7 2 1 4 2 a Tensioner

7 2 1 6 2 a Transfers

7 2 1 3 8 a Load on curves

7 2 1 4 6 a Return part construction - Belts

7 2 2 6 0 a 2256 Sideflexing belt



Chains & sprockets	Wear strips	Side guide brackets & accessories	Levelers	Engineering manual
Modular belts & sprockets	Chain & belt return systems	Frame & structure supports	Bearing supports	
Curves & tracks	Side guide solutions	Miscellaneous products	Equipment	



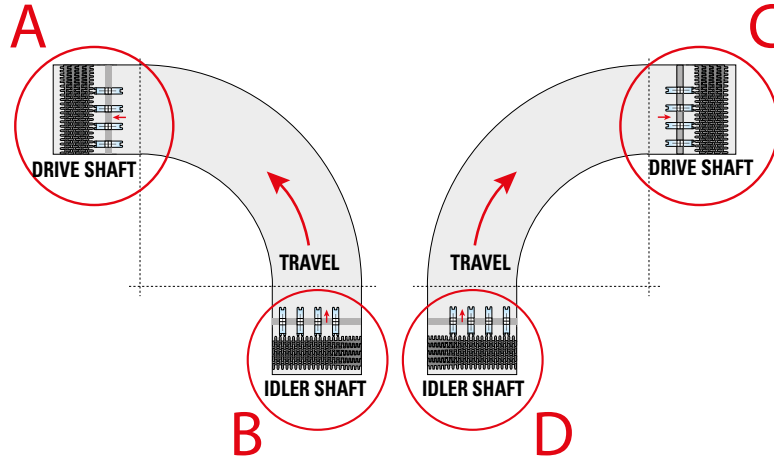
2451 SERIES:

Example 425 mm wide: 4 sprockets required

Sprockets Centre distance 85 mm

First sprocket located at 100/110 from the TAB-end edge

Sprockets can be located over the whole width of the belt except of the 85mm wide Heavy Duty modules



◀ back continue ▶

For sprockets and idler wheels.

Go to product page:

3 0 7 6 0 a

For 2351 and 2551 belt.

Go to product page:

3 0 7 4 5 a

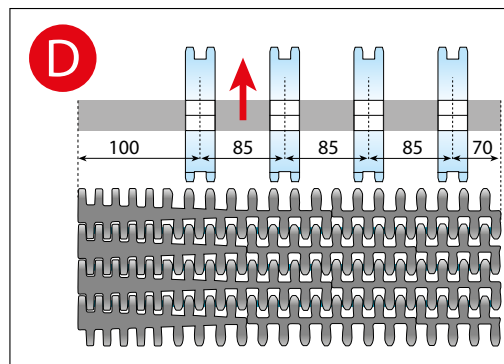
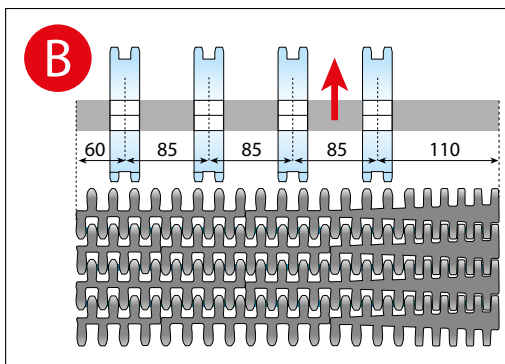
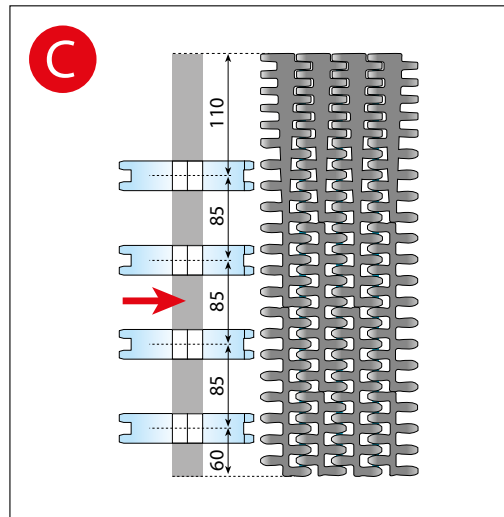
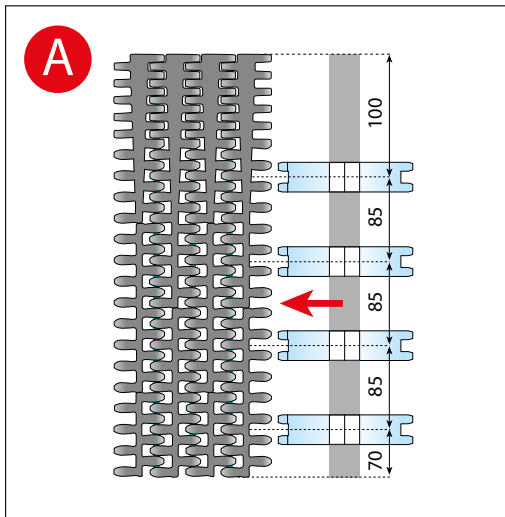
For 2451 and 2651 belt.

Go to product page:

3 0 7 5 0 a

Powerflex™ belt assembly.
Go to:

7 3 0 4 1 a



◀ back continue ▶

7 2 1 1 7 a Conveyor length and speed plastic chains and belts

7 2 1 4 0 a Construction recommendations

7 2 1 4 8 a Rotating Rollers, Guide Shoes, Wearstrips & Serpentine

7 2 1 3 6 a Curve system - Belts

7 2 1 4 2 a Tensioner

7 2 1 6 2 a Transfers

7 2 1 3 8 a Load on curves

7 2 1 4 6 a Return part construction - Belts

7 2 2 6 0 a 2256 Sideflexing belt



Chains & sprockets	Wear strips	Side guide brackets & accessories	Levelers	Engineering manual
Modular belts & sprockets	Chain & belt return systems	Frame & structure supports	Bearing supports	
Curves & tracks	Side guide solutions	Miscellaneous products	Equipment	



2551 SERIES:

Example 425 mm wide: 3 sprockets required

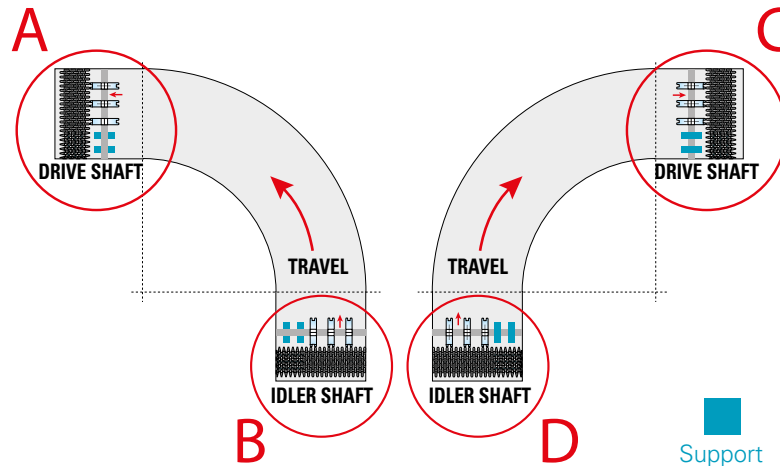
Sprockets Centre distance 85 mm

First sprocket located at 80/90 from the TAB-end edge

"Zig-zag" small radius part should be clear from sprockets

Sprockets can be located over the whole width of the belt between the TAB on one side and the small radius modules on the other side

It is recommended to use a flat support roller underneath the small radius inside the module.



◀ back continue ▶

For sprockets and idler wheels.

Go to product page:

3 0 7 6 0 a

For 2351 and 2551 belt.

Go to product page:

3 0 7 4 5 a

For 2451 and 2651 belt.

Go to product page:

3 0 7 5 0 a

Support roller

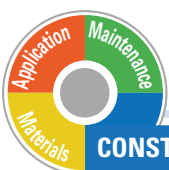
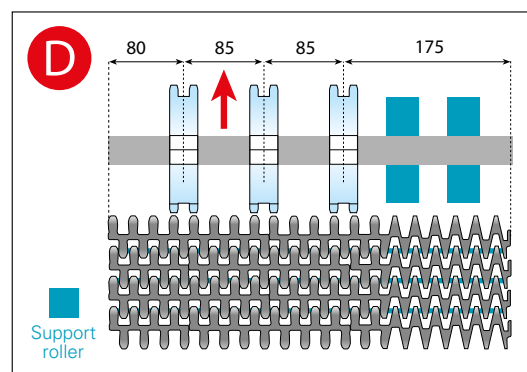
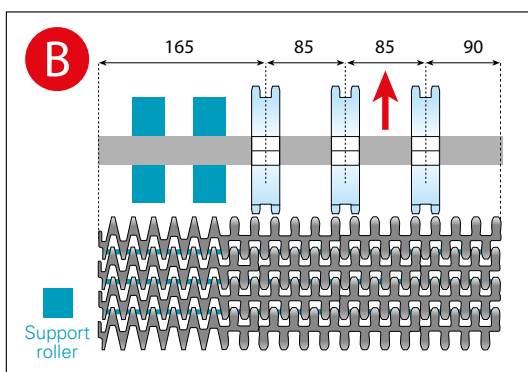
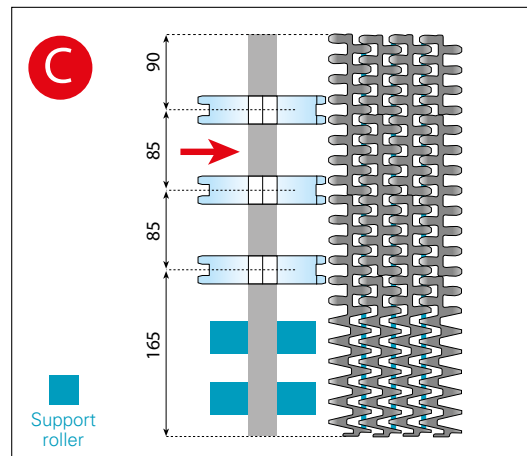
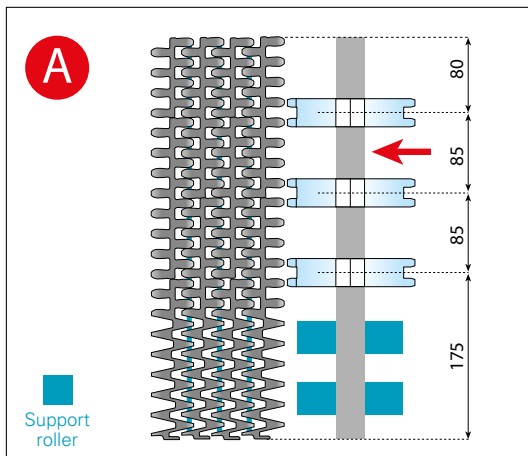
Go to:

3 0 7 6 0 a

Powerflex™ belt assembly.

Go to:

7 3 0 4 1 a



◀ back continue ▶

7 2 1 1 7 a Conveyor length and speed plastic chains and belts

7 2 1 4 0 a Construction recommendations

7 2 1 4 8 a Rotating Rollers, Guide Shoes, Wearstrips & Serpentine

7 2 1 3 6 a Curve system - Belts

7 2 1 4 2 a Tensioner

7 2 1 6 2 a Transfers

7 2 1 3 8 a Load on curves

7 2 1 4 6 a Return part construction - Belts

7 2 2 6 0 a 2256 Sideflexing belt



Chains & sprockets	Wear strips	Side guide brackets & accessories	Levelers	Engineering manual
Modular belts & sprockets	Chain & belt return systems	Frame & structure supports	Bearing supports	
Curves & tracks	Side guide solutions	Miscellaneous products	Equipment	



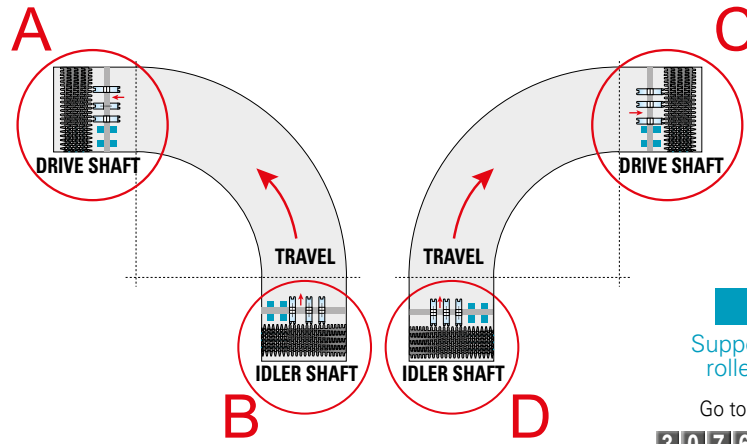
2651 SERIES:

Example 425 mm wide: 3 sprockets required

Sprockets Centre distance 85 mm or 65 mm according to belt width

First sprocket located at 100/110 from the TAB-end edge

Sprockets can be located over the whole width of the belt between the heavy duty module one side and the small radius module track on the other side



◀ back continue ▶

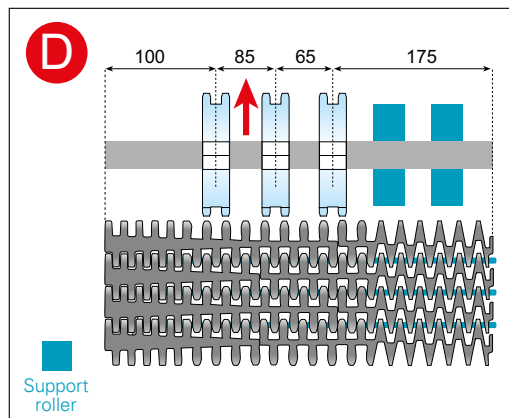
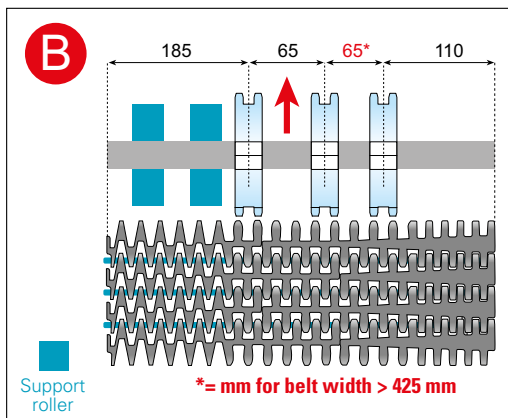
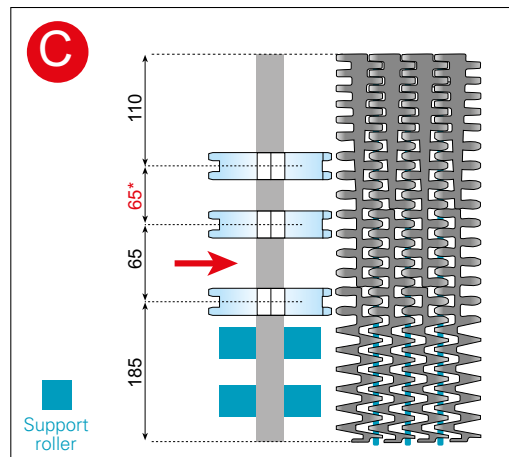
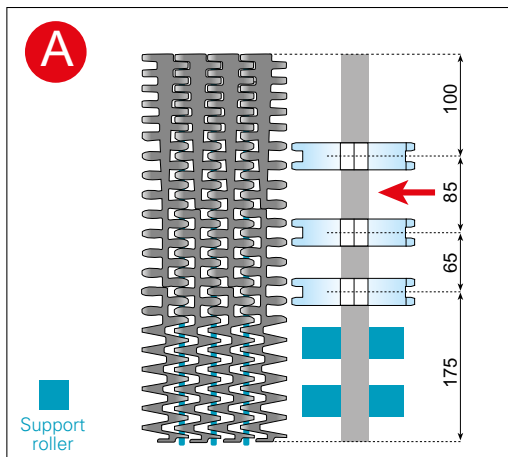
For sprockets and idler wheels.
Go to product page:
3 0 7 6 0 a

For 2351 and 2551 belt.
Go to product page:
3 0 7 4 5 a

For 2451 and 2651 belt.
Go to product page:
3 0 7 5 0 a

Powerflex™ belt assembly.
Go to:

7 3 0 4 1 a



*= mm for belt width > 425 mm

In case of interference with wearstrips other sprocket positions can be chosen. Please consult our technical support for the available options.



◀ back continue ▶



Chains & sprockets	Wear strips	Side guide brackets & accessories	Levelers	Engineering manual
Modular belts & sprockets	Chain & belt return systems	Frame & structure supports	Bearing supports	
Curves & tracks	Side guide solutions	Miscellaneous products	Equipment	



◀ back continue ▶

RECOMMENDED NUMBER OF SPROCKETS AND IDLER WHEELS, SUMMARY:

BELT WIDTH W	SERIES			
	2351	2451	2551	2651
mm				
255	2	-	-	-
340	3	3	2	-
425	4	4	3	3
510	5	5	4	4
595	6	6	5	5
680	7	7	6	6
765	8	8	7	7
850	9	9	8	8

For sprockets and idler wheels.

Go to product page:
3 0 7 6 0 a

For 2351 and 2551 belt.
Go to product page:

3 0 7 4 5 a

For 2451 and 2651 belt.
Go to product page:

3 0 7 5 0 a

Installation procedure:

7 3 0 4 5 a

Powerflex™ belt assembly.
Go to:

7 3 0 4 1 a

SPROCKET ENGAGEMENT AND INSTALLATION:

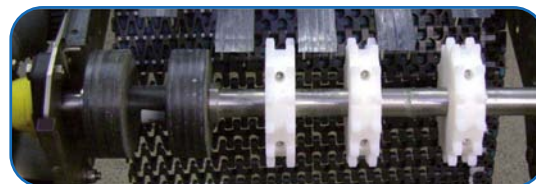
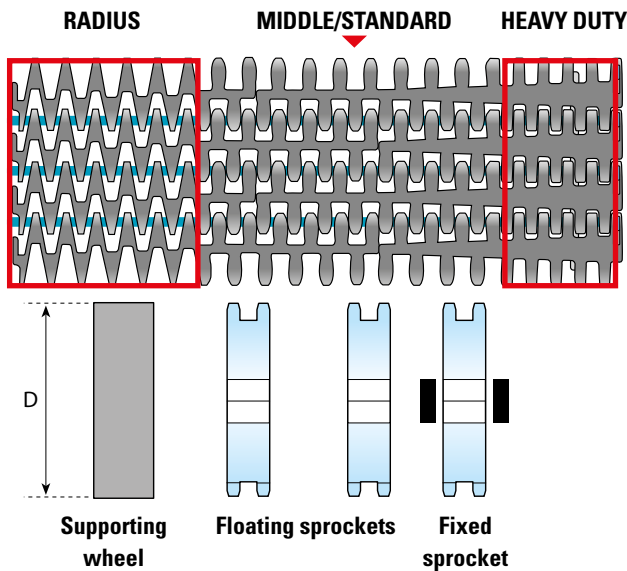
Sprockets engage on the curved end of the hinges. The teeth of the sprocket must push the highlighted surface of the hinges. That is important for the installation of sprockets.



REVERSE OPERATION:

Special sprockets can be supplied on request.

Middle/standard modules are designed for sprocket interaction. High torque transmission by means of optimized tooth geometry. To avoid the belt from deflecting in areas where there's no sprocket, it is recommended to install a supporting wheel.



EQUIVALENT NUMBER OF TEETH Z	DIAMETER OF THE SUPPORTING WHEEL D (mm)
10	85,0
13	116,1
15	136,7
16	146,9



◀ back continue ▶



Chains & sprockets	Wear strips	Side guide brackets & accessories	Levelers	Engineering manual
Modular belts & sprockets	Chain & belt return systems	Frame & structure supports	Bearing supports	
Curves & tracks	Side guide solutions	Miscellaneous products	Equipment	



◀ back

FIXED AND FLOATING SPROCKETS:

It is recommended to fix the sprocket which is located closest to the outside track of the sideflexing belt. The other sprockets can be floating using a "Plus bore". See further details at page **7 2 1 3 2 a** or in System Plast SmartGuide.

We recommend to keep all sprockets fixed for belt width up to 510 mm, unless the application is in circumstances with high temperature differences. Consult our technical support in that case.

DRIVES

End drives are the easiest way to drive the side flexing belts. However, centre drives are possible as well. For centre drives some special construction rules apply. Please refer to the relevant chapter in this manual (Page **7 2 1 4 0 a**) for sprocket and idler dimensions.

MOUNTING AND REMOVAL OF BELTS see page: **7 3 0 4 1 a**

For sprockets and idler wheels.

Go to product page:

3 0 7 6 0 a

For 2351 and 2551 belt.

Go to product page:

3 0 7 4 5 a

For 2451 and 2651 belt.

Go to product page:

3 0 7 5 0 a

Installation procedure:

7 3 0 4 5 a

Powerflex™ belt assembly.

Go to:

7 3 0 4 1 a



◀ back

7 2 1 1 7 a Conveyor length and speed plastic chains and belts

7 2 1 4 0 a Construction recommendations

7 2 1 4 8 a Rotating Rollers, Guide Shoes, Wearstrips & Serpentine

7 2 1 3 6 a Curve system - Belts

7 2 1 4 2 a Tensioner

7 2 1 6 2 a Transfers

7 2 1 3 8 a Load on curves

7 2 1 4 6 a Return part construction - Belts

7 2 2 6 0 a 2256 Sideflexing belt

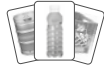


Chains & sprockets	Wear strips	Side guide brackets & accessories	Levelers	Engineering manual
Modular belts & sprockets	Chain & belt return systems	Frame & structure supports	Bearing supports	
Curves & tracks	Side guide solutions	Miscellaneous products	Equipment	

7 2 2 6 0 a

2256 SIDEFLEXING BELTS OVERVIEW

2256 SIDEFLEXING BELTS



continue ▶

2256 SIDEFLEXING BELT SPECIFICATIONS

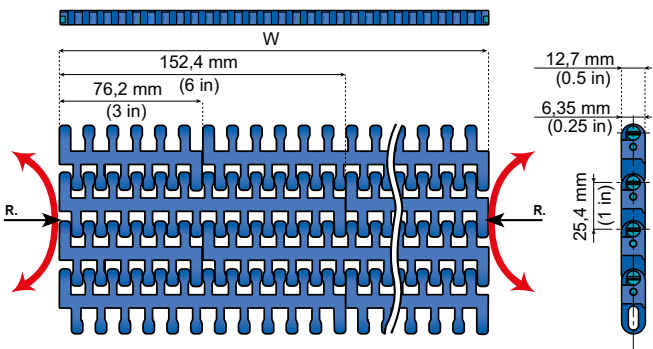
- Belt Pitch:** 25.4 mm (1");
- Thickness:** 12.7 mm (0.5");
- Back flex radius:** 25 mm (0.98");
- Radius - width ratio min.:** 1.9 - 2.05;
- Max. Load capacity:** 30000 N/m (straight section); 2000 N (curve section)
- Belt Weight:** 8.3 kg/m²;

For 2256 belt. Go to product page:

3 0 7 3 0 a

2256 Mounting and removal. Go to:

7 3 0 3 5 a ▶

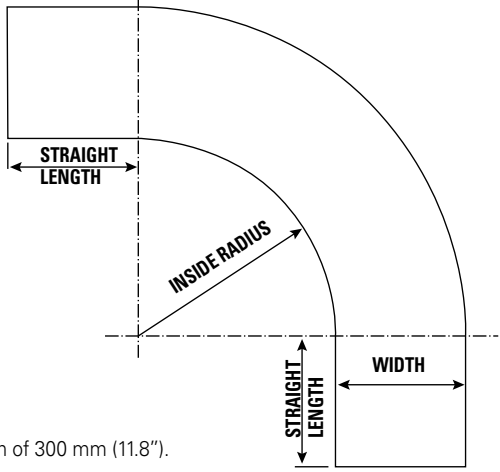


FEATURES OF THE 2256 SERIES BELTS

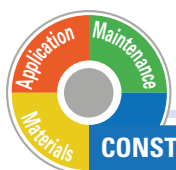
- S curve possible
- Bi-directional: no preferred running direction (hinge-driven belt)
- Small pitch: small transfer
- Strong and flexible design
- Special clip design: easier to mount and remove (easy maintenance)

THE WIDTH - INSIDE RADIUS RATIO STARTS WITH 1,90

WIDTH [inch]	WIDTH [mm]	MINIMUM RADIUS [mm]	RATIO
3	76,2	145	1,90
6	152,4	290	1,90
9	228,6	435	1,90
12	304,8	580	1,90
15	381,0	725	1,90
18	457,2	890	1,95
21	533,4	1040	1,95
24	609,6	1250	2,05



The **minimum straight section before the curve** is: belt width with a minimum of 300 mm (11.8").
 The **minimum straight section after the curve** is: belt width with a minimum of 500 mm (19.68").
 The **minimum straight section in-between a S-curve** is: 1.5 times the belt width with a minimum of 500 mm (19.68").



CONSTRUCTION DETAILS - General index 7 2 1 1 0 a -

continue ▶

- | | | |
|---|---|---|
| 7 2 1 1 7 a Conveyor length and speed plastic chains and belts | 7 2 1 4 0 a Construction recommendations | 7 2 1 4 8 a Rotating Rollers, Guide Shoes, Wearstrips & Serpentine |
| 7 2 1 3 6 a Curve system - Belts | 7 2 1 4 2 a Tensioner | 7 2 1 6 2 a Transfers |
| 7 2 1 3 8 a Load on curves | 7 2 1 4 6 a Return part construction - Belts | 7 2 2 2 0 a Powerflex™ belts |

Chains & sprockets	Wear strips	Side guide brackets & accessories	Levelers	Engineering manual
Modular belts & sprockets	Chain & belt return systems	Frame & structure supports	Bearing supports	
Curves & tracks	Side guide solutions	Miscellaneous products	Equipment	

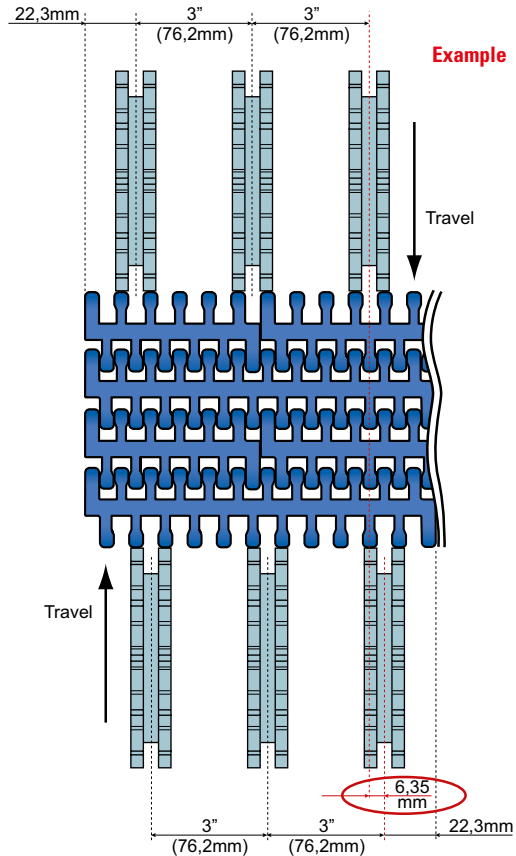
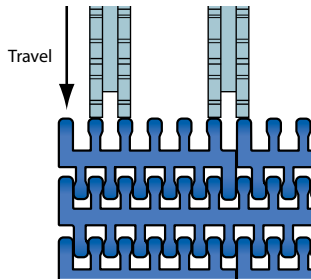
SPROCKET POSITION:



The 2256 series belt does not have pockets to position the sprockets. This makes the positioning of the sprockets very flexible. Important is that the teeth of the sprocket push against the spherical side of the hinge eye.



◀ back continue ▶



For 2256 belt.
Go to product page:
3 0 7 3 0 a

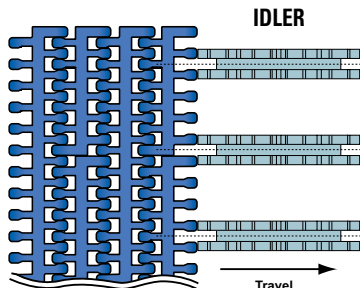
2256
Mounting and removal.
Go to:
7 3 0 3 5 a

That means that in one travel direction the sprockets are offset by 0.25" (6,35mm) from the point where they should be for the other travel direction. See below in red circle.

WIDTH [inch]	MINIMUM RECOMMENDED SPROCKETS
3	1
6	2
9	3
12	4
15	5
18	6
21	7
24	8

When the same belt needs to run in bi-directional applications, special sprockets are needed. Please contact our technical support.

On the idler side, the sprockets have the opposite position since the belt pushes against the teeth of the idler.



For further details on sprocket position go to page **7 2 1 2 4 a**

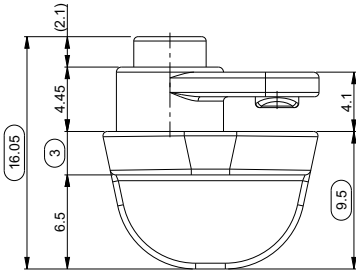


Chains & sprockets	Wear strips	Side guide brackets & accessories	Levelers	Engineering manual
Modular belts & sprockets	Chain & belt return systems	Frame & structure supports	Bearing supports	
Curves & tracks	Side guide solutions	Miscellaneous products	Equipment	



CLEARANCE BETWEEN TABS AND GUIDE:

Generally, we advise to have total 4 mm free space between TABs and guide



For example: 12" wide belt + 2x 3,5 mm for TABs = 311,8 mm total belt width. Space between guides should therefore be 316 mm



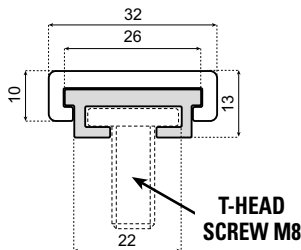
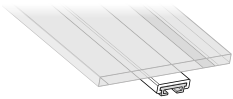
In any case it's very important to make sure that the transfers between straight and curve and between the individual wearstrip sections are smooth and without collision points. And make sure the belt is running free throughout the conveyor.

In case of temperature differences, the thermal expansion of the belt should be considered. Please refer to thermal expansion calculation chapter at page **7 3 5 2 6 a**

◀ back continue ▶

For 2256 belt.
Go to product page:
3 0 7 3 0 a

**POSSIBLE STANDARD PROFILES:
IN STRAIGHT SECTIONS**

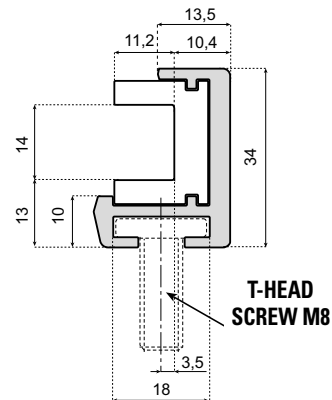
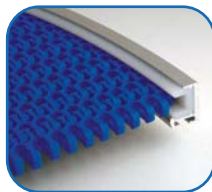


ITEM DESCRIPTION:
VG-BWS-125

Details. Go to:

5 0 5 7 0 a

IN CURVES SECTIONS



ITEM DESCRIPTION:
MBG-50

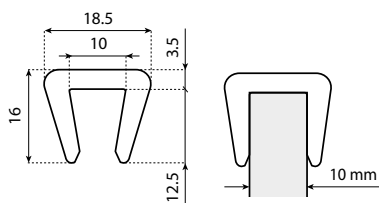
Details. Go to:

5 0 5 7 0 a

2256
Mounting and removal.
Go to:

7 3 0 3 5 a

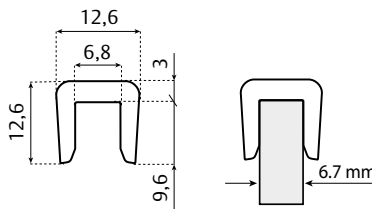
BAR CAP PROFILES:



ITEM DESCRIPTION: **VG-PM10BC**

Details. Go to:

5 0 6 5 0 b



ITEM DESCRIPTION: **VG-P516BC**

Details. Go to:

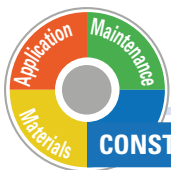
5 0 6 5 0 b

SERPENTINE SYSTEM:



Details. Go to:

5 1 0 1 0 a



Chains & sprockets	Wear strips	Side guide brackets & accessories	Levelers	Engineering manual
Modular belts & sprockets	Chain & belt return systems	Frame & structure supports	Bearing supports	
Curves & tracks	Side guide solutions	Miscellaneous products	Equipment	



CARRY AND RETURN SECTION:

For straight sections we refer to the corresponding section in the engineering manual about possible return constructions.



Important for the whole conveyor, but certainly also for the return section is that the curve is accurately build. The curve should be a true, smooth curve and not a polygon. The vertical position of the belt support should match accurately with the position of the TAB guide.

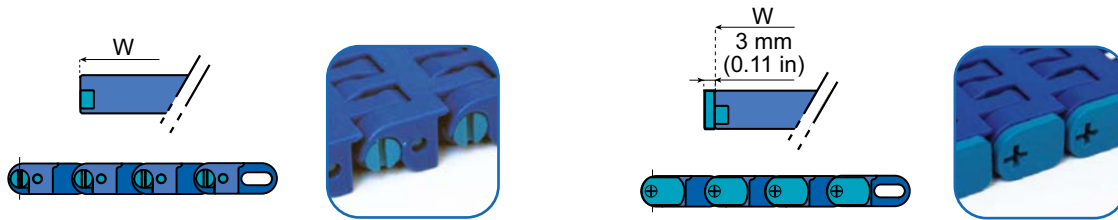
◀ back continue ▶

Possible principle construction for curves:

STANDARD BELT WITHOUT TABS AND BELT WITH SLIDER SHOES

Without TAB "C" version

With slider shoe "S" version



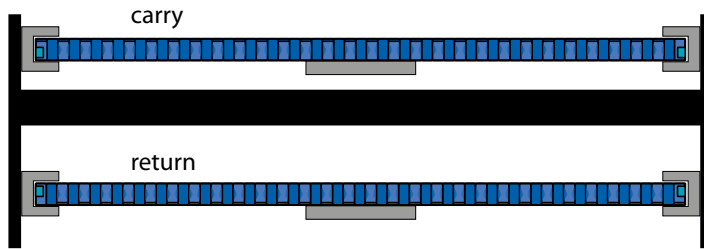
For 2256 belt. Go to product page:

3 0 7 3 0 a

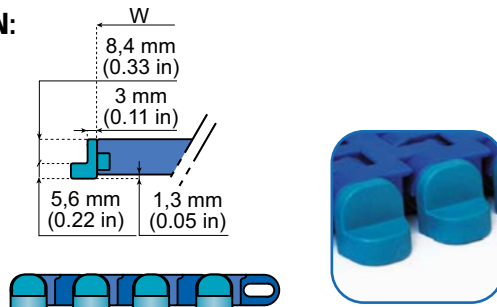
2256 Mounting and removal. Go to:

7 3 0 3 5 a

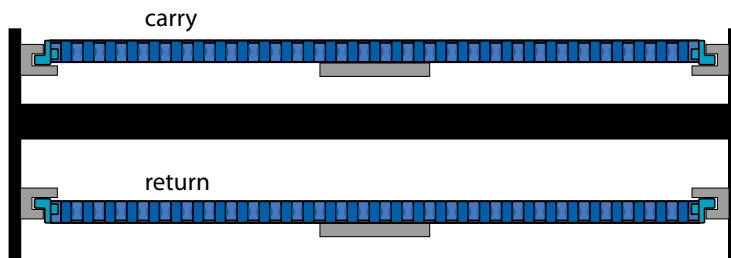
For both belt versions, the load in the curve is carried by the inside guide. The belt is being held down on the outside by the C-shape guide. The outer edge of the belt is running through the guide in the curve and cannot be used to support product.



BELTS WITH TABS "T" VERSION:



The load on the inside of the curve is carried by the TABS. On the outside the TABS are used to hold down in the curve. The full belt width can be used to support the product. The product can also be wider than the belt (considering the product is stable enough).

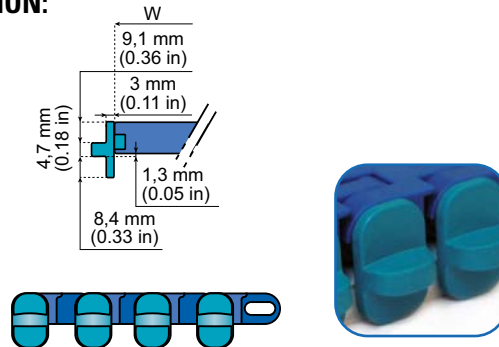


Chains & sprockets	Wear strips	Side guide brackets & accessories	Levelers	Engineering manual
Modular belts & sprockets	Chain & belt return systems	Frame & structure supports	Bearing supports	
Curves & tracks	Side guide solutions	Miscellaneous products	Equipment	



◀ back continue ▶

WITH TABS AND POSITIONERS "TP" VERSION:

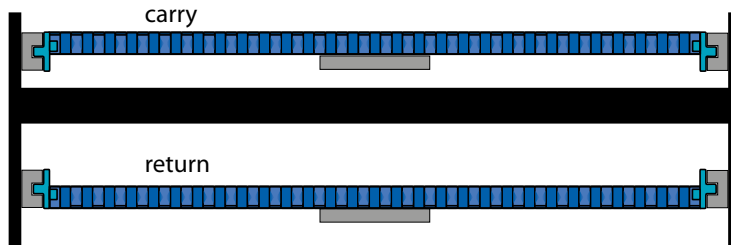


For 2256 belt.
Go to product page:
3 0 7 3 0 a

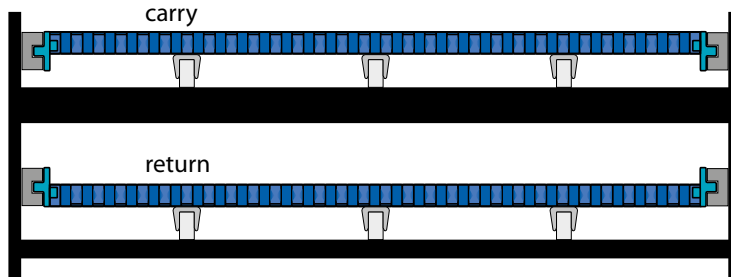
2256
Mounting and removal.
Go to:

7 3 0 3 5 a ▶

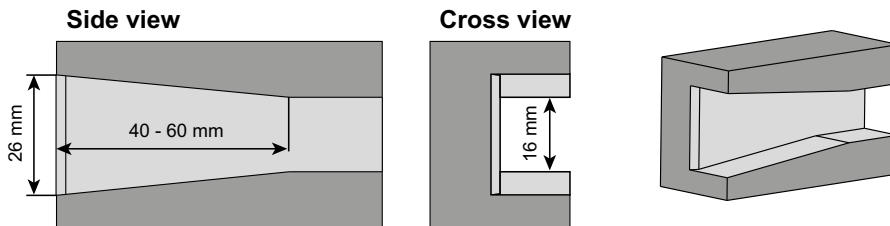
The load on the inside of the curve is carried by the TABS. On the outside the TABS are holding the belt down in the curve. The positioners underneath can be used to guide the belt from below. The full belt width can be used to support the product.



The flat support of the belt can also be set up using bar cap profiles like 19S00081. For example:



For the return section, depending on the exact construction, an intermediate support is only necessary for a belt width of 12" and wider. Important for the transfer from one guide section to the other and at the entry of the guide profile is a proper chamfer, both in horizontal as well as in vertical direction. For example:



◀ back continue ▶



Chains & sprockets	Wear strips	Side guide brackets & accessories	Levelers	Engineering manual
Modular belts & sprockets	Chain & belt return systems	Frame & structure supports	Bearing supports	
Curves & tracks	Side guide solutions	Miscellaneous products	Equipment	

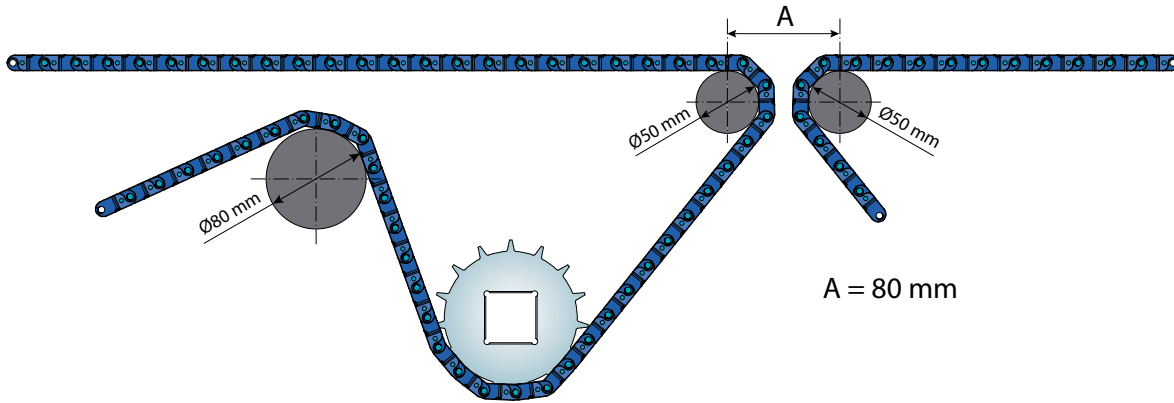


◀ back

TRANSFERS:

The 2256 series belt has a small 1" pitch, thus making small head-to-tail transfers possible.

The minimum diameter head roller is 50 mm. The minimum advised diameter for the take-up roller after the sprocket in case of a bottom drive is 80 mm.



For 2256 belt.
Go to product page:
3 0 7 3 0 a

2256
Mounting and removal.
Go to:
7 3 0 3 5 a

Please refer to transfer chapter at page **7 2 1 1 6 2 a** for others transfer systems.



◀ back

7 2 1 1 7 a Conveyor length and speed plastic chains and belts

7 2 1 4 0 a Construction recommendations

7 2 1 4 8 a Rotating Rollers, Guide Shoes, Wearstrips & Serpentine

7 2 1 3 6 a Curve system - Belts

7 2 1 4 2 a Tensioner

7 2 1 6 2 a Transfers

7 2 1 3 8 a Load on curves

7 2 1 4 6 a Return part construction - Belts

7 2 2 2 0 a Powerflex™ belts



Chains & sprockets	Wear strips	Side guide brackets & accessories	Levelers	Engineering manual
Modular belts & sprockets	Chain & belt return systems	Frame & structure supports	Bearing supports	
Curves & tracks	Side guide solutions	Miscellaneous products	Equipment	

7 2 2 9 0 a

2253RTC ROLLER TOP BELT OVERVIEW

2253RTC ROLLER TOP BELT

2253RTC - ROLLER TOP BELT AND SPROCKET SPECIFICATIONS

- Belt Pitch:** 25.4 mm (1.00");
- Thickness:** 8.7 mm (0.34");
- Ball diameter:** 12.7 mm (0.5");
- Back flex radius:** 30 mm (1.18");
- Max. Load capacity:** 10500 N/m (714 lbs/ft.);
- Max. load per ball:** 10 N (2.24 lbs)
- Belt weight:** 10.5 Kg/m² (2.14lbs/ft²);
- Belt Material:** Low friction acetal (Blue);
- Pin Material:** PBT;
- Ball Material:** PA



continue ▶

For 2253RTC belt.
Go to product page:

3 0 3 9 8 a

2253RTC Application.
Go to:

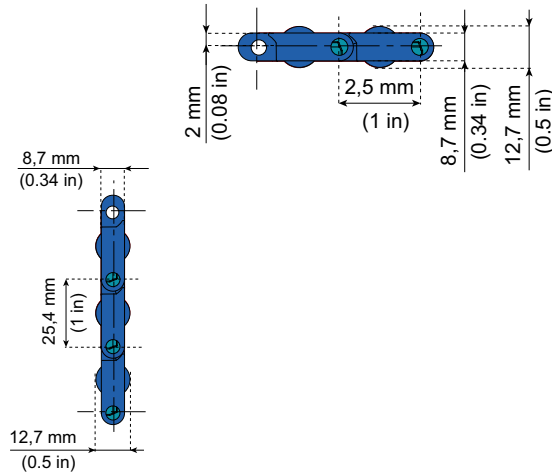
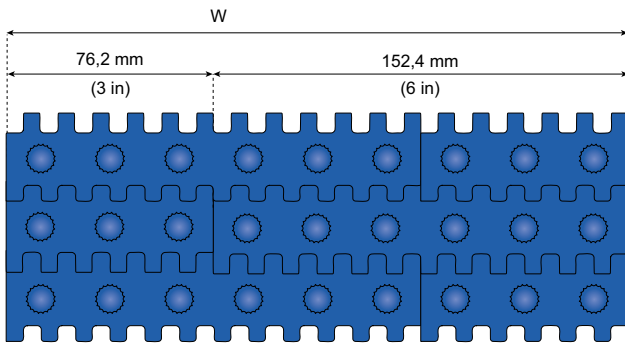
7 2 6 2 5 a

2253RTC Calculation.
Go to:

7 3 5 3 3 a

2253RTC
Mounting and removal.
Go to:

7 3 0 3 3 a



Notes:

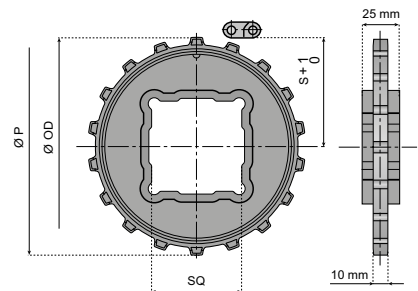
- A. Value for maximum allowable load capacity assumes that tension acts uniformly over the entire belt width.
- B. Values for maximum allowable load capacity and maximum live load per ball are at ambient temperature.
- C. For use in dry environments only (no lubrication or water).
- D. Maximum recommended belt speed: 50 m/min.
- E. Operating temperature: For material limits refer to application temperature table at page **7 3 5 8 8 a**. Recommended range with respect to safely turning balls: 0 - 60°C.

MOLDED DRIVE SPROCKETS SQUARE BORE - ONE PIECE FLOATING

Material: Reinforced polyamide (PA grey)

Notes:

- 1. These sprockets are made to fit loosely on the shaft to absorb differences in thermal expansion between the belt and conveyor, and alignment errors between sprocket and belt.



Z	Ø OD mm	Ø P mm	S mm
12	98	98,14	44,0
15	122	122,2	56,7
18	145	146,27	68,5

Z	∇ 40X40 mm	∇ 60X60 mm
	ITEM DESCRIPTION	
12	2253-12S40M-D	-
15	2253-15S40M-D	2253-15S60M-D
18	2253-18S40M-D	2253-18S60M-D



CONSTRUCTION DETAILS - General index **7 2 1 1 0 a** -

continue ▶

7 2 1 1 7 a Conveyor length and speed plastic chains and belts

7 2 1 4 6 a Return part construction - Belts

7 2 1 7 2 a Head to tail transfers with roller modules - Belts

7 2 1 4 0 a Construction recommendations

7 2 1 4 8 a Rotating Rollers, Guide Shoes, Wearstrips & Serpentine

7 2 2 0 5 a Wearstrips - Belts

7 2 1 4 2 a Tensioner

7 2 1 6 2 a Transfers

7 2 2 1 7 a Selection of wearstrip material

Chains & sprockets	Wear strips	Side guide brackets & accessories	Levelers	Engineering manual
Modular belts & sprockets	Chain & belt return systems	Frame & structure supports	Bearing supports	
Curves & tracks	Side guide solutions	Miscellaneous products	Equipment	



Except for auxiliary belts, which require their own construction, construction related to the 2253RTC follows general rules for conveyors.

It is recommendable to realize a uniform flat support surface for the balls to run on.

This ensures to keep the same speed of the product in different sections (while running on balls speed of the belt is half).

The support between active and non-active areas can be realized for instance by means of polyethylene, steel or wood plates. The thickness of the support depends on the vertical load to be carried. Important is a flat and stable support.

Different support materials can determine different noise level due to rolling and in friction of balls against support.

Is therefore recommendable to cover the non-active areas with the same material used for the auxiliary belt to keep the same sliding properties. This also contributes to reduce the noise level due to different materials surfaces.

The material of the auxiliary belts should have a good compromise between grip and wear resistance.

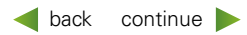
As a general rule, polyurethane or PVC coating belts with hardness 70 ShA are suitable.

For a better indication of possible different materials, their performances (maximum speed), as well as minimum thickness of the coating possible, please enquire your belting supplier.

In case of bottom drive configuration a 60 mm nosebar with grooves to accommodate the balls is required.

It is recommended to create easy access to the tensioner of the auxiliary belt since it can be necessary to adjust over the time.

Return part can be equipped with rubber coated rollers to reduce the noise.

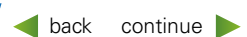


For 2253RTC belt.
Go to product page:
3 0 3 9 8 a

2253RTC Application.
Go to:
7 2 6 2 5 a

2253RTC Calculation.
Go to:
7 3 5 3 3 a

2253RTC
Mounting and removal.
Go to:
7 3 0 3 3 a



7 2 1 1 7 a Conveyor length and speed plastic chains and belts

7 2 1 4 6 a Return part construction - Belts

7 2 1 7 2 a Head to tail transfers with roller modules - Belts

7 2 1 4 0 a Construction recommendations

7 2 1 4 8 a Rotating Rollers, Guide Shoes, Wearstrips & Serpentine

7 2 2 0 5 a Wearstrips - Belts

7 2 1 4 2 a Tensioner

7 2 1 6 2 a Transfers

7 2 2 1 7 a Selection of wearstrip material



Chains & sprockets	Wear strips	Side guide brackets & accessories	Levelers	Engineering manual
Modular belts & sprockets	Chain & belt return systems	Frame & structure supports	Bearing supports	
Curves & tracks	Side guide solutions	Miscellaneous products	Equipment	



◀ back continue ▶

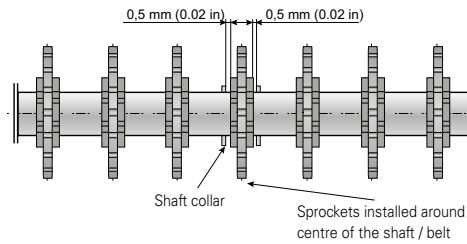
DETERMINE SPROCKETS LOCATIONS

Sprockets are possible every inch (25,4mm) according to the available pockets for sprocket interaction at the opposite side of the belt. Minimum recommended number of sprockets as per sketch. Calculate: belt width [inch]/3.

For further details refer to page **7 2 1 2 1 a**

LOCKING SPROCKETS:

The sprockets and the shaft are loosely fitted in order to absorb differences in thermal expansion between the belt and the conveyor and also installation errors of the belt and the sprockets. However, a shaft collar should be mounted on each side of a sprocket installed around the centre of the belt with about 0.5 mm clearance with the sprocket.



For 2253RTC belt.
Go to product page:
3 0 3 9 8 a

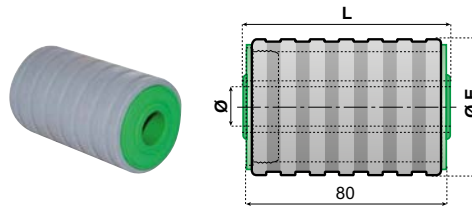
2253RTC Application.
Go to:
7 2 6 2 5 a

2253RTC Calculation.
Go to:
7 3 5 3 3 a

2253RTC
Mounting and removal.
Go to:
7 3 0 3 3 a

RETURN ROLLERS

Our standard return roller with rubber can be used on the return part. Further detail on return roller position see below.

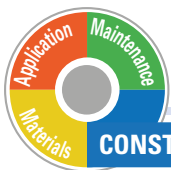
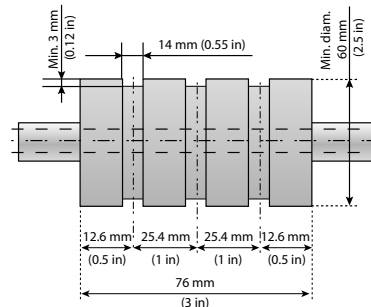


For return roller.
Go to product page:
5 1 0 8 0 a

SPECIAL RETURN ROLLERS

Grooves formed in the return rollers are designed to prevent the balls from making contact with the rollers.

Note: These rollers are not a standard item but can be made on request.



◀ back continue ▶

7 2 1 1 7 a Conveyor length and speed plastic chains and belts

7 2 1 4 0 a Construction recommendations

7 2 1 4 2 a Tensioner

7 2 1 4 6 a Return part construction - Belts

7 2 1 4 8 a Rotating Rollers, Guide Shoes, Wearstrips & Serpentine

7 2 1 6 2 a Transfers

7 2 1 7 2 a Head to tail transfers with roller modules - Belts

7 2 2 0 5 a Wearstrips - Belts

7 2 2 1 7 a Selection of wearstrip material

Chains & sprockets	Wear strips	Side guide brackets & accessories	Levelers	Engineering manual
Modular belts & sprockets	Chain & belt return systems	Frame & structure supports	Bearing supports	
Curves & tracks	Side guide solutions	Miscellaneous products	Equipment	



◀ back

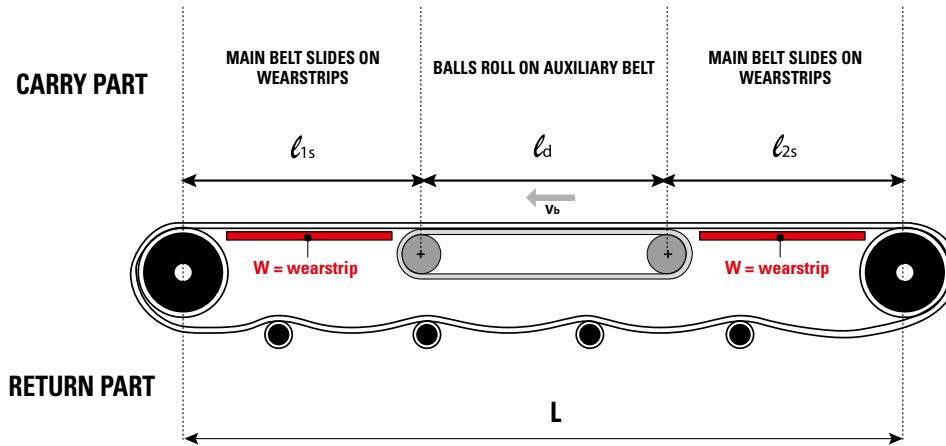
For 2253RTC belt.
Go to product page:
3 0 3 9 8 a

2253RTC Application.
Go to:
7 2 6 2 5 a

2253RTC Calculation.
Go to:
7 3 5 3 3 a

2253RTC
Mounting and removal.
Go to:
7 3 0 3 3 a

CONVEYOR DESIGN: BELT RUNNING ON WEARSTRIPS AND AUXILIARY BELT



Tension in return part [N]:

$$R = L * w_b * \mu_R * g \text{ [N]; } g = 9,81 \text{ m/s}^2$$

Tension in carry part created by static friction [N]:

$$C_s = (l_{1s} + l_{2s}) * (w_b + w_p) * \mu_N \text{ OR } \mu_{SS} \text{ OR } \mu_U * g$$

Tension in carry part created by dynamic friction [N]:

$$C_d = l_d * (w_b + w_p) * \mu_B * g$$

$$C = C_s + C_d$$

Belt Tension: $T = C + R \text{ [N]}$

$$\text{Net shaft power: } P = \frac{T * v_b}{3600} \text{ [W]}$$

$L = l_{1s} + l_d + l_{2s}$	[m]
$w_b = \text{belt weight}$	[Kg/m]
$w_p = \text{product weight}$	[Kg/m]
$\mu = \text{coefficient of friction, refer to table}$	[ad]
$v_b = \text{speed of main belt}$	[m/min]

COEFFICIENT OF FRICTION: AT 20°C, DRY, CLEAN CONDITIONS	μ_N	μ_{SS}	μ_U	μ_R	μ_B
	static			return	dynamic
Main belt sliding on Nolu®-S parts	0.18				
Main belt sliding on stainless steel		0.24			
Main belt sliding on UHMWPE			0.20		
Main belt rolling over return rollers				0.1	
Main belt rolling on balls*					0.18

* Same value for PVC, rubber coated 70 shore A, any hard surface.



◀ back

7 2 1 1 7 a Conveyor length and speed plastic chains and belts

7 2 1 4 6 a Return part construction - Belts

7 2 1 7 2 a Head to tail transfers with roller modules - Belts

7 2 1 4 0 a Construction recommendations

7 2 1 4 8 a Rotating Rollers, Guide Shoes, Wearstrips & Serpentine

7 2 2 0 5 a Wearstrips - Belts

7 2 1 4 2 a Tensioner

7 2 1 6 2 a Transfers

7 2 2 1 7 a Selection of wearstrip material



Chains & sprockets	Wear strips	Side guide brackets & accessories	Levelers	Engineering manual
Modular belts & sprockets	Chain & belt return systems	Frame & structure supports	Bearing supports	
Curves & tracks	Side guide solutions	Miscellaneous products	Equipment	

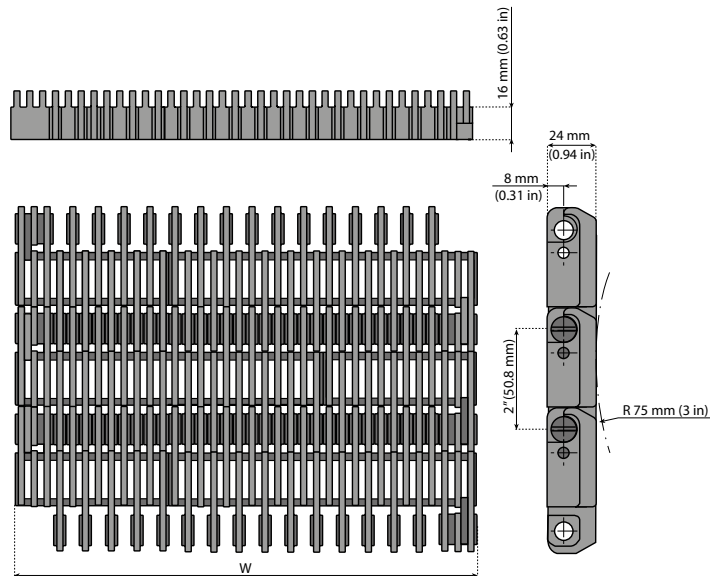
7 2 3 1 0 a

2500 RAISED RIB BELT OVERVIEW

2500RR RAISED RIB BELT

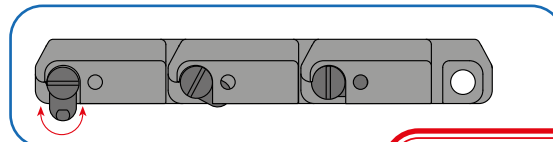
BELT SPECIFICATION

- Pitch:** 50,8 mm (2.00")
- Thickness:** 24 mm (0.94")
- Backflex radius:** 75 mm (2.95")
- Max load capacity (@21°C):** 30000 N/m (2000 lbs/ft)
- Weight:** 9,2 kg/m² (1.88 lbs/ft²)
- Pin material:** Polypropylene
- Belt Material:** Polypropylene (dark grey)
- Open Surface:** 27%.
- Modular width system:**
Imperial -> Standard widths can be made in 3" (76,2 mm) steps from 9" to 150"
- Standard length:**
width ≤ 15": 3,05 m (10.0-ft)
width > 15": 1,02 m (3.34-ft')



Standard material

PPG
Polypropylene



PATENTED

Features of the 2500 RR series belt:

- 27% open surface: raised rib design for an optimum cooling or warming from water flow
- Transfer combs: smooth product transfer
- Travel is truly bi-directional
- Patented special clip design: easier maintenance

APPLICATION:

This 2500 series raised rib belt has particularly been developed for use in pasteurizer tunnels, warmers and coolers. Design and material choice is aimed at high loads and temperatures as is typical in these applications. The standard material is also more resistant to oxidizing chemicals often used in these systems for cleaning.

The System Plast 2500 series belt has an important feature in the pin-clip locking system. It makes installation and maintenance easier and accommodates the belt expansion and contraction better than other retention systems.

Of course, the 2500 series is suitable for other applications, like off-line accumulation tables as well.

NOTE:

This product has specifically been developed for PET bottles and cans.

EQUAL LOAD DISTRIBUTION:

To maximize the service life of the belt, it is important to spread the load on the belt equally.



continue ▶

For 2250RR belt.
Go to product page:

3 0 6 1 0 a

2500RR Calculation.
Go to:

7 3 5 2 8 a

2500RR Cleaning instruction.
Go to:

7 3 0 2 1 a

2500RR Mounting and removal.
Go to:

7 3 0 3 8 a



CONSTRUCTION DETAILS - General index **7 2 1 1 0 a** -

continue ▶

7 2 1 1 7 a Conveyor length and speed plastic chains and belts

7 2 1 4 6 a Return part construction - Belts

7 2 1 2 7 a Sprocket position for 2500RR

7 2 1 6 2 a Transfers

7 2 1 4 2 a Tensioner

7 2 3 5 6 a Filtering belts



Chains & sprockets	Wear strips	Side guide brackets & accessories	Levelers	Engineering manual
Modular belts & sprockets	Chain & belt return systems	Frame & structure supports	Bearing supports	
Curves & tracks	Side guide solutions	Miscellaneous products	Equipment	

7 2 3 1 2 a **PT/PTA POSITIONERS FOR 2500RR BELT**

2500RR RAISED RIB BELT



◀ back continue ▶

For 2250RR belt.
Go to product page:

3 0 6 1 0 a

2500RR Calculation.

Go to:

7 3 5 2 8 a

2500RR Cleaning instruction.

Go to:

7 3 0 2 1 a

2500RR Mounting and removal.

Go to:

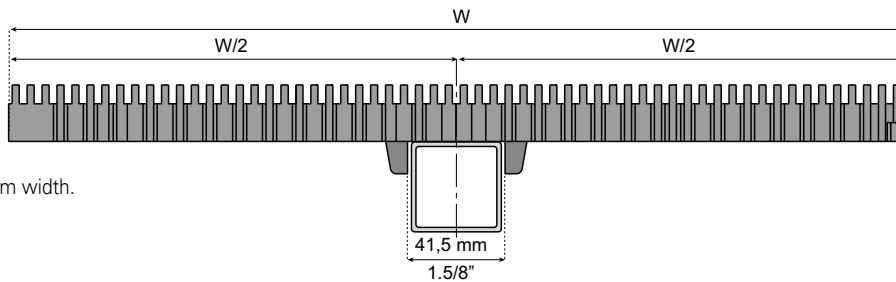
7 3 0 3 8 a

GUIDE POSITIONERS, CENTER AND OFF-CENTER VERSIONS

Guide positioners assist in keeping the belt running straight in the system and equally spreading belt expansion/contraction over both sides of the machine.



Standard version PT - Positioner in center position



Suitable for wearstrips of 40 mm width.

Example item description:

PPG2500RR-PT-K3600

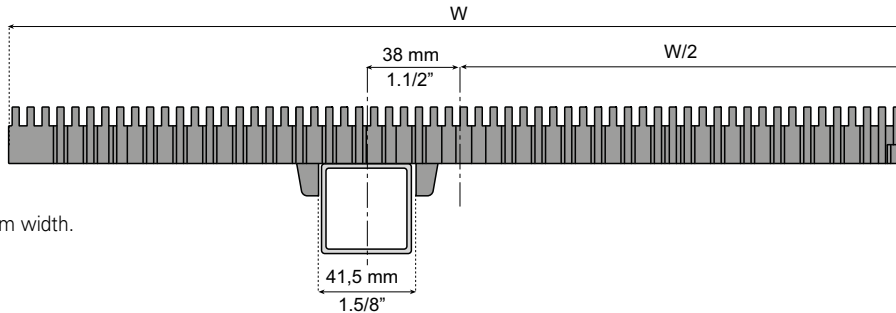
PPG: polypropylene grey color

2500RR: Type of belt: raised rib, series 2500

PT: positioner placed in the center of the belt

K3600: width 36 inches (914 mm)

Asymmetric version PTA - Positioner in off-center position



Suitable for wearstrips of 40 mm width.

Example item description:

PPG2500RR-PTA-K3600

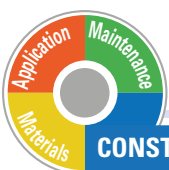
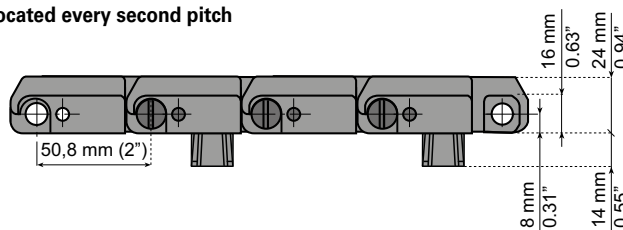
PPG: polypropylene grey color

2500RR: Type of belt: raised rib, series 2500

PTA: positioner placed in off-center position in the belt.

K3600: width 36 inches (914 mm)

Notice: The positioners are located every second pitch



CONSTRUCTION DETAILS - General index **7 2 1 1 0 a** -

◀ back continue ▶

7 2 1 1 7 a Conveyor length and speed plastic chains and belts

7 2 1 4 6 a Return part construction - Belts

7 2 1 2 7 a Sprocket position for 2500RR

7 2 1 6 2 a Transfers

7 2 1 4 2 a Tensioner

7 2 3 5 6 a Filtering belts



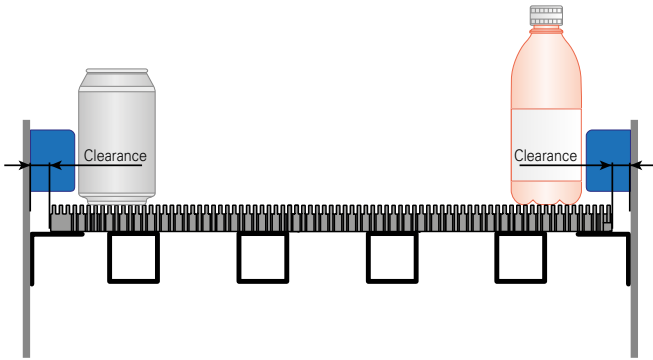
Chains & sprockets	Wear strips	Side guide brackets & accessories	Levelers	Engineering manual
Modular belts & sprockets	Chain & belt return systems	Frame & structure supports	Bearing supports	
Curves & tracks	Side guide solutions	Miscellaneous products	Equipment	



◀ back continue ▶

GUIDING THE BELT:

If guide positioners or positioning tabs are not used, the belt must be guided on both sides over the full length of the conveyor. To be able to absorb the thermal expansion the belt needs some clearance for expansion. Depending on the expected temperature difference, the structure should be wide enough to make sure the belt will not get stuck at high temperature or, in case of low temperatures, be small enough to still support the belt.



The total clearance at 21°C to be considered is (indicative values):

- 4 mm (0.15 in) for belt width < 500 mm (20 in)
- 6 mm (0.25 in) for belt width 500 to 1500 mm (20 - 60 in)
- 8 mm (0.30 in) for belt width 1500 to 3000 mm (60 - 100 in)
- 10 mm (0.40 in) for belt width > 3000 mm (> 100 in)

For 2250RR belt.
Go to product page:
3 0 6 1 0 a

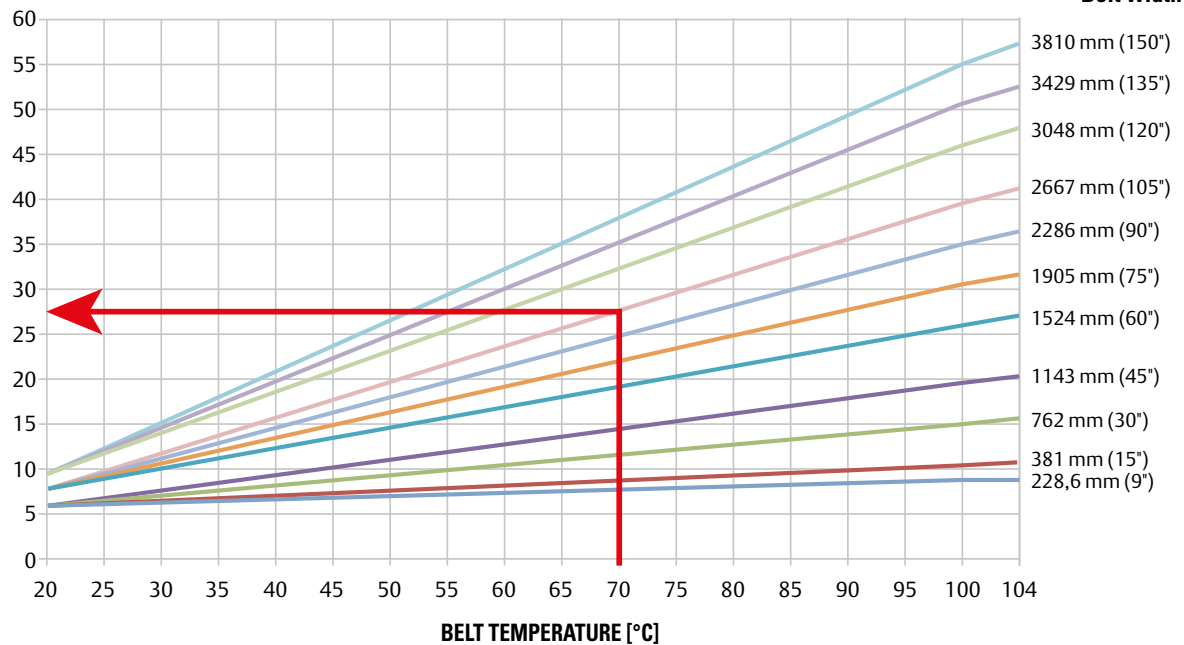
2500RR Calculation.
Go to:
7 2 5 2 8 a

2500RR Cleaning instruction.
Go to:
7 3 0 2 1 a

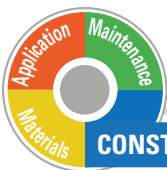
2500RR Mounting and removal.
Go to:
7 3 0 3 8 a

RECOMMENDED TOTAL SIDE CLEARANCE FOR PPG 2500RR BELT

Total side clearance (mm)



Example: 28 mm total side clearance of a 105" wide belt at 70°C must be considered.



◀ back continue ▶



Chains & sprockets	Wear strips	Side guide brackets & accessories	Levelers	Engineering manual
Modular belts & sprockets	Chain & belt return systems	Frame & structure supports	Bearing supports	
Curves & tracks	Side guide solutions	Miscellaneous products	Equipment	



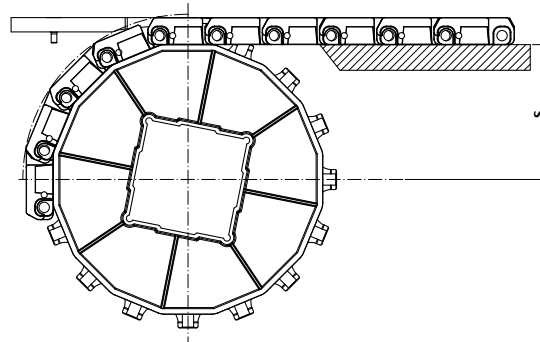
SPROCKETS AND WEARSTRIP POSITIONING

Wearstrips underneath the belt can be positioned as shown below.

As material for the wearstrips we recommend stainless steel, due to temperature differences.

S = refers to sprockets table on **7 2 3 2 0 a**

◀ back continue ▶



For 2250RR belt.
Go to product page:
3 0 6 1 0 a

2500RR Calculation.
Go to:
7 2 5 2 8 a

2500RR Cleaning instruction.
Go to:
7 3 0 2 1 a

2500RR Mounting and removal.
Go to:
7 3 0 3 8 a

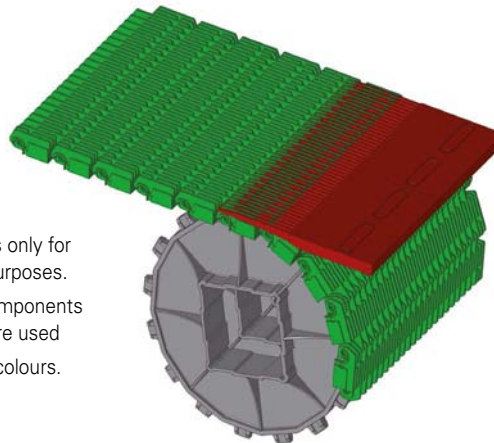
Transfer combs

Material: Acetal/POM (dark grey)

Number and position of combs:

The number of required transfer combs depends on the belt width. One comb per each 152.4 mm (6 in) of width is required. For belts with 76,2 mm (3 in) increments, one comb can be cut in half to cover total belt width.

To view the related combs. Go to: **3 0 6 1 5 a**



This image is only for illustration purposes. For these components grey tones are used as standard colours.

The combs should be assembled next to each other. They are designed to have enough free space to shift with the belt as it expands/contracts due to temperature variations. When properly installed, the combs will have a gap of about 1 mm between them. Also, do not affix the combs into place, allowing them to slide as the fingers engage with the Raised Rib Belt and cause them to shift. Shoulder bolts are provided with transfer combs to ensure free movement is allowed.

Molded sprockets are available in several sizes as well and have a multi-angled shape that fits the underside of the belt, offering the best possible support and traction.

To view the related sprockets. Go to: **3 0 6 1 5 a**



◀ back continue ▶



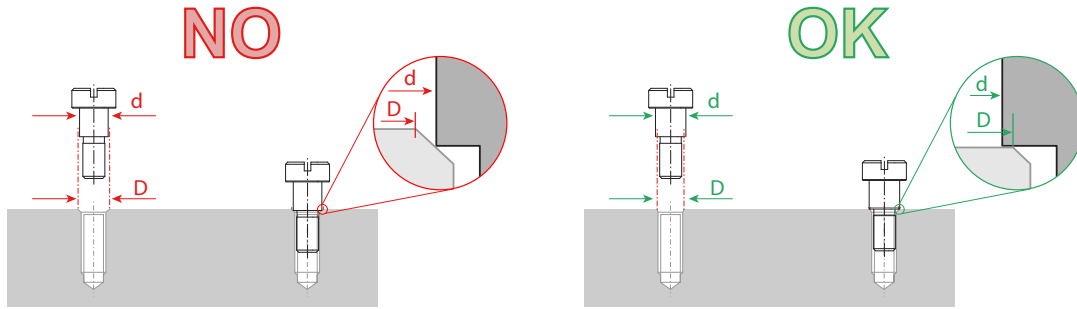
Chains & sprockets	Wear strips	Side guide brackets & accessories	Levelers	Engineering manual
Modular belts & sprockets	Chain & belt return systems	Frame & structure supports	Bearing supports	
Curves & tracks	Side guide solutions	Miscellaneous products	Equipment	



MINIMUM REQUIREMENTS TO ENABLE MOVEMENT OF THE TRANSFER COMBS:

- Use the supplied special screws
 - Oversized cuts - chamfers of the inside threads in the support plate should be avoided (see sketch)
- ➔ Requirement: **D < d**

◀ back continue ▶



The special shoulder screws are designed to fix the transfer comb to the conveyor construction, but still allow for horizontal movement of the combs. This is required to follow expansion and contraction of the belt.

Use the two caps, which are supplied with each comb, to cover the long holes. The caps are important to protect the screws and the slots against dirt and debris and create a smooth surface to prevent bottles from toppling over.

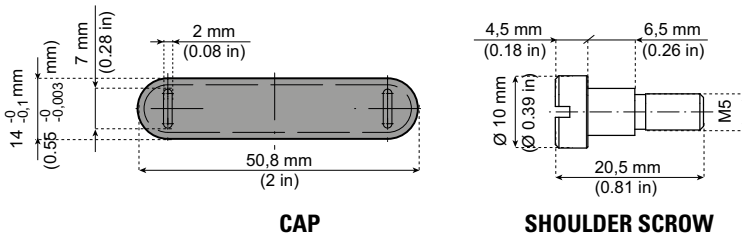
The special shoulder screws are made in stainless steel.

For 2250RR belt.
Go to product page:
3 0 6 1 0 a

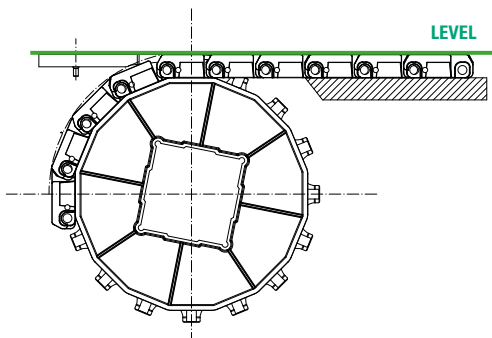
2500RR Calculation.
Go to:
7 2 5 2 8 a

2500RR Cleaning instruction.
Go to:
7 3 0 2 1 a

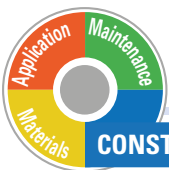
2500RR Mounting and removal.
Go to:
7 3 0 3 8 a



The transfer comb surface and the surface of the modular belt must be level (see picture below).



- During assembly ensure that there is no dirt and debris between the combs and their support plates.
- Areas of the combs as well as their support plates should be cleaned and released from dirt and debris regularly.



◀ back continue ▶

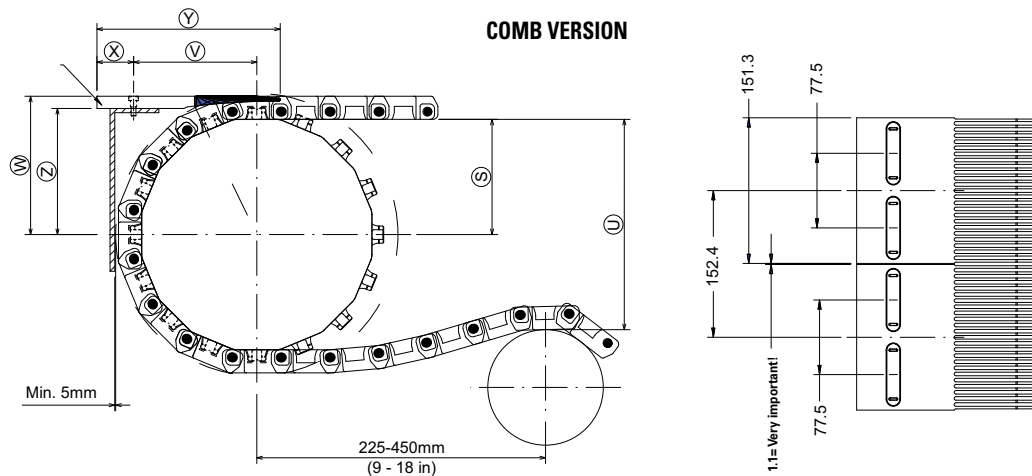


Chains & sprockets	Wear strips	Side guide brackets & accessories	Levelers	Engineering manual
Modular belts & sprockets	Chain & belt return systems	Frame & structure supports	Bearing supports	
Curves & tracks	Side guide solutions	Miscellaneous products	Equipment	

7 2 3 2 0 a | 2500RR CONSTRUCTION GUIDELINES

2500RR RAISED RIB BELT

Dimensional requirements for the finger transfer comb installation:



NOTES: For the proper positioning of the comb you may consider the horizontal and vertical reference quote V and Z. Both V as well as Z are depending on the sprocket site. See below tables.

DIMENSIONAL REQUIREMENTS FOR SERIES 2500RR FINGER TRANSFER PLATE INSTALLATION										
Sprockets - TYPE 1: Short Comb - Item description LFG-COMB2500-M152										
mm						INCHES				
No. Teeth	Pitch Diam.	S	Z	W	U MAX.	Pitch Diam.	S	Z	W	U MAX.
Z10	164,4	74,8	86,1	98,8	165	6.47	2.94	3.39	3.89	6.50
Z12	196,3	90,8	102,1	114,8	200	7.73	3.57	4.02	4.52	7.87
Z13	212,3	98,8	110,1	122,8	215	8.36	3.89	4.33	4.83	8.46
Z14	228,3	106,7	118	130,7	230	8.99	4.20	4.65	5.15	9.06
Z15	244,3	114,7	126	138,7	245	9.62	4.52	4.96	5.46	9.65
Z16	260,4	122,8	134,1	146,8	260	10.25	4.83	5.28	5.78	10.24

TYPE 1: Short comb - Item description LFG-COMB2500-M152

TYPE 2: Long comb - Item description LFG-COMB2500-M190

TYPE 3: Short teeth comb - Item description PAB-COMB2500-M165

Dimensional Requirements for Series 2500RR Finger Transfer Plate Installation - Dimension in mm										
SPROCKETS (mm)		TYPE 1			TYPE 2			TYPE 3		
No. Teeth	Pitch Diam.	V	X	Y	V	X	Y	V	X	Y
Z10	164,4	92-104	21,6	152,4	113,5-127	38,1	190,5	134,5	38,1	165,1
Z12	196,3	96,5-104			117,5-127			128		
Z13	212,3	98-104			119,5-127			139,5		
Z14	228,3	100-104			121,5-127			141		
Z15	244,3	102-104			123-127			142,5		
Z16	260,4	104			124,5-127			143,5		

Dimensional Requirements for Series 2500RR Finger Transfer Plate Installation - Dimension in inches										
SPROCKETS (inches)		TYPE 1			TYPE 2			TYPE 3		
No. Teeth	Pitch Diam.	V	X	Y	V	X	Y	V	X	Y
Z10	6.47	3.59-4.06	0.85	6.00	4.43-5.00	1.50	7.50	5.30	1.50	6.50
Z12	7.73	3.76-4.06			4.58-5.00			5.04		
Z13	8.36	3.82-4.06			4.66-5.00			5.49		
Z14	8.99	3.90-4.06			4.74-5.00			5.55		
Z15	9.62	3.98-4.06			4.98-5.00			5.61		
Z16	10.25	4.06			4.86-5.00			5.65		

RETURN PART

Due to the high load capacity we recommend using rollers made of stainless steel which are supported with bearings to ensure proper turning.

Diameter: D = minimum 150 mm

Distance between return rollers should increase towards idler end in order to create equal catenaries throughout the conveyor.



CONSTRUCTION DETAILS - General index 7 2 1 1 0 a -

7 2 1 1 7 a Conveyor length and speed plastic chains and belts

7 2 1 4 6 a Return part construction - Belts

7 2 1 2 7 a Sprocket position for 2500RR

7 2 1 6 2 a Transfers

7 2 1 4 2 a Tensioner

7 2 3 5 6 a Filtering belts



back

For 2250RR belt.
Go to product page:
3 0 6 1 0 a

2500RR Calculation.
Go to:
7 2 5 2 8 a

2500RR Cleaning instruction.
Go to:

7 3 0 2 1 a

2500RR Mounting and removal.
Go to:

7 3 0 3 8 a

back

Chains & sprockets	Wear strips	Side guide brackets & accessories	Levelers	Engineering manual
Modular belts & sprockets	Chain & belt return systems	Frame & structure supports	Bearing supports	
Curves & tracks	Side guide solutions	Miscellaneous products	Equipment	

7 2 3 3 0 a

2508 HEAVY DUTY BELT OVERVIEW

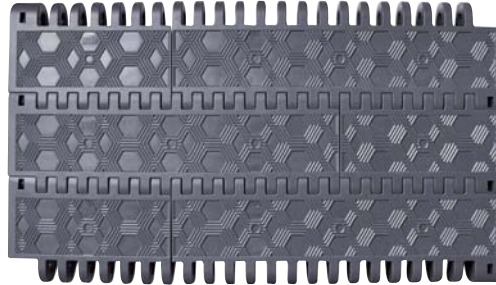
2508-2630 HEAVY DUTY BELTS



continue ▶

2508 HEAVY DUTY BELT SPECIFICATIONS

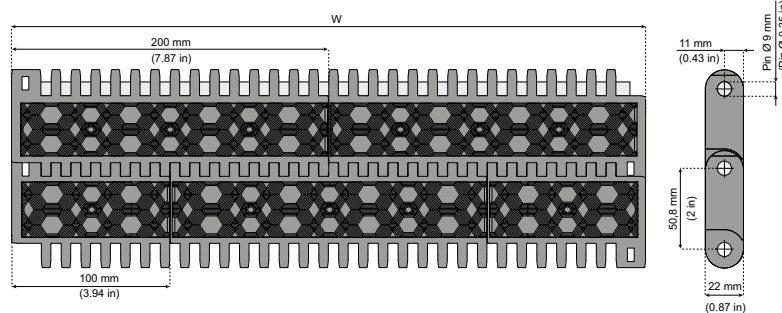
- Belt Pitch:** 50.8 mm (2");
- Thickness:** 22.0 mm (0.87");
- Back Flex Radius:** 55 mm (2.17")
- Max. Load Capacity:** 80000 N/m (5440 lbs/ft)
- Belt Weight:** 22.5 kg/m² (4.59 lbs/ft²);
- Standard Belt Material:** Low friction acetal resin (LFG);
- Special Belt Material:** Polypropylene (PPLG), Anti-static Acetal (POM-AS), Flame Retardant Electrically Conductive Polypropylene (PP-FR-EC)
- Standard Pin Material:** PBT;
- Special Pin Material:** Steel;
- Standard length:**



For 2508 belt.
Go to product page:

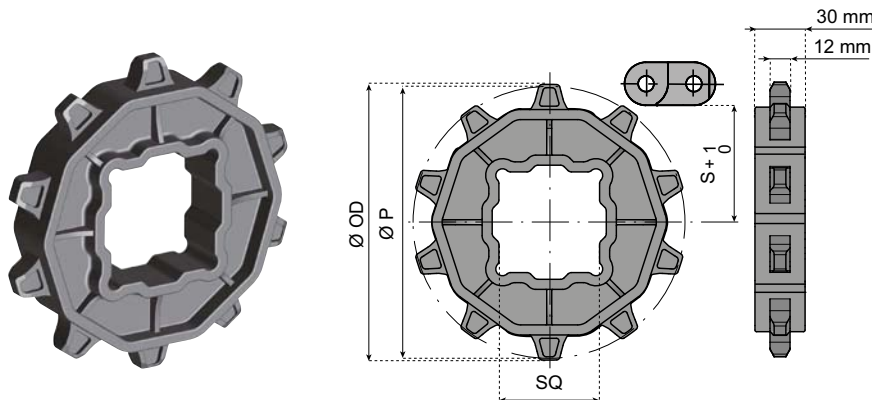
3 0 6 2 0 a

- Belt width ≤ 800 mm: 20 pitches (1.02 m)
- Belt width > 800 mm: 15 pitches (0.76 m);



2508 HEAVY DUTY BELT SPROCKETS

The sprockets for 2508 series have a polygonal shape to provide optimum belt support. This is important to reduce stress at the sprocket for belts that have a large pitch and work with very high loads. Machined sprockets with a different number of teeth or a different bore size are available upon request.



MOLDED DRIVE SPROCKETS SQUARE BORE - ONE PIECE FLOATING	
Z	ITEM DESCRIPTION
10	2508-10S60M-D
12	2508-12S60M-D
16	2508-16S60M-D

Z	Ø OD mm	Ø P mm	S mm
10	160,4	164,39	71,7
12	193,6	196,28	87,6
16	259,4	260,39	119,7

Material: reinforced polyamide (black).



CONSTRUCTION DETAILS - General index **7 2 1 1 0 a** -

continue ▶

7 2 1 1 7 a Conveyor length and speed plastic chains and belts

7 2 1 4 2 a Tensioner

7 2 1 2 6 a Sprocket position for 2508-2630

7 2 1 4 6 a Return part construction - Belts

7 2 1 4 0 a Construction recommendations

7 2 2 0 5 a Wearstrips - Belts



Chains & sprockets	Wear strips	Side guide brackets & accessories	Levelers	Engineering manual
Modular belts & sprockets	Chain & belt return systems	Frame & structure supports	Bearing supports	
Curves & tracks	Side guide solutions	Miscellaneous products	Equipment	

7 2 3 3 2 a

2630 HEAVY DUTY BELT OVERVIEW

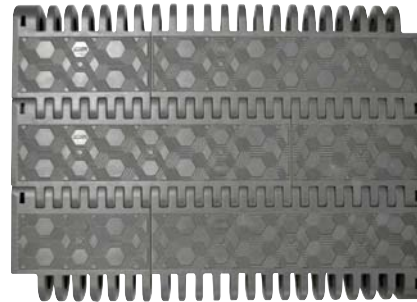
2508-2630 HEAVY DUTY BELTS



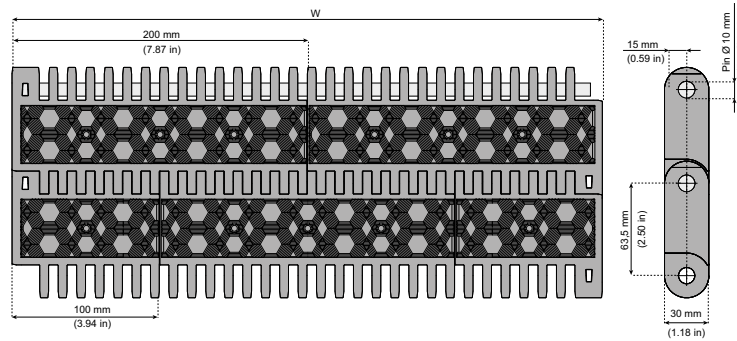
◀ back continue ▶

2630 HEAVY DUTY BELT SPECIFICATIONS

- Belt Pitch:** 63.5 mm (2.5");
- Thickness:** 30.0 mm (1.18");
- Back Flex Radius:** 60 mm (2.36")
- Max. Load Capacity:** 115000 N/m (7879 lbs/ft)
- Belt Weight:** 29.5 kg/m² (6.02 lbs/ft²);
- Standard Belt Material:** Low friction acetal resin (LFG);
- Special Belt Material:** Polypropylene (PPLG), Anti-static Acetal (POM-AS), Flame Retardant Electrically Conductive Polypropylene (PP-FR-EC)
- Standard Pin Material:** PBT;
- Special Pin Material:** Steel;
- Standard length:**
 Belt width ≤ 800 mm: 16 pitches (1.02 m)
 Belt width > 800 mm: 12 pitches (0.76 m);

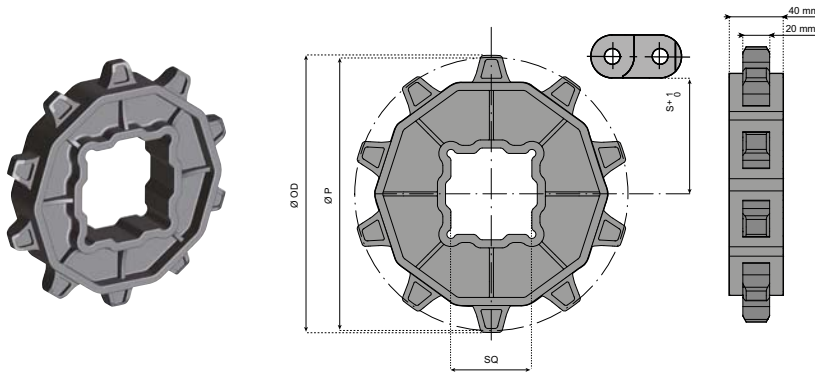


For 2630 belt.
Go to product page:
3 0 6 4 5 a



2630 HEAVY DUTY BELT SPROCKETS

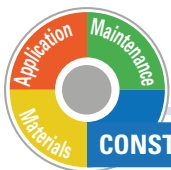
The sprockets for 2630 series have a polygonal shape to provide optimum belt support. This is important to reduce stress at the sprocket for belts that have a large pitch and work with very high loads. Machined sprockets with a different number of teeth or a different bore size are available upon request.



MOLDED DRIVE SPROCKETS SQUARE BORE - ONE PIECE FLOATING		
Z	∅ 60X60	∅ 90X90
	ITEM DESCRIPTION	
10	2630-10S60M-D	-
13	2630-13S60M-D	2630-13S90M-D
15	2630-15S60M-D	2630-15S90M-D

Z	∅ OD mm	∅ P mm	S mm
10	203,4	205,49	88,2
13	265,3	265,34	118,2
15	306,7	305,42	138,2

Material: reinforced polyamide (black).



CONSTRUCTION DETAILS - General index **7 2 1 1 0 a** -

◀ back continue ▶

7 2 1 1 7 a Conveyor length and speed plastic chains and belts

7 2 1 4 2 a Tensioner

7 2 1 2 6 a Sprocket position for 2508-2630

7 2 1 4 6 a Return part construction - Belts

7 2 1 4 0 a Construction recommendations

7 2 2 0 5 a Wearstrips - Belts



Chains & sprockets	Wear strips	Side guide brackets & accessories	Levelers	Engineering manual
Modular belts & sprockets	Chain & belt return systems	Frame & structure supports	Bearing supports	
Curves & tracks	Side guide solutions	Miscellaneous products	Equipment	



NUMBER OF SPROCKETS

For the recommended numbers of sprocket along the shaft according to the belt width refer to section **7 2 1 2 6 a**

FEATURES OF THE 2508 AND 2603 SERIES BELTS

One of the design features of these belts is the clip that retains the pins. Installation of the clip is simple, but more importantly, even in a very dirty application (such as a car wash installation) it is easy to remove the clip by using a screw driver and tapping lightly with a hammer. The clip can be removed or inserted from the top or bottom of the belt and is reusable. It is also positioned away from the belt edge to protect it from wear or damage.

◀ back continue ▶

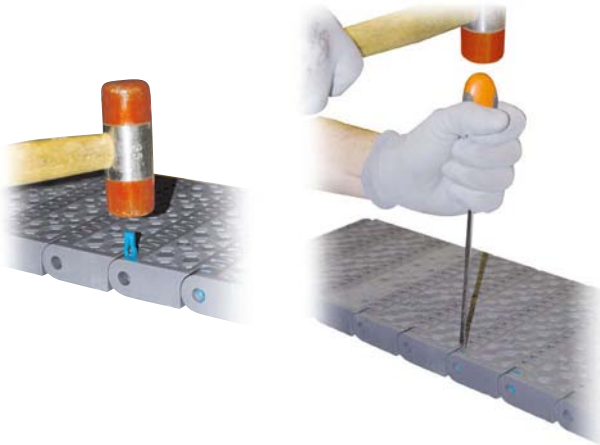
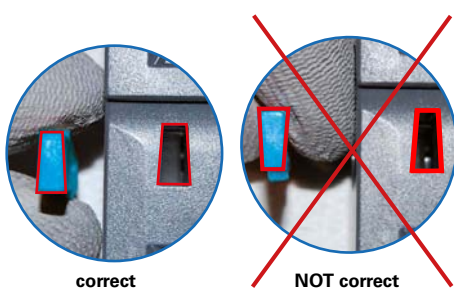
For 2508 belt.
Go to product page:
3 0 6 2 0 a

For 2630 belt.
Go to product page:
3 0 6 4 5 a

CLIP ORIENTATION

INSERT CLIP

REMOVE CLIP



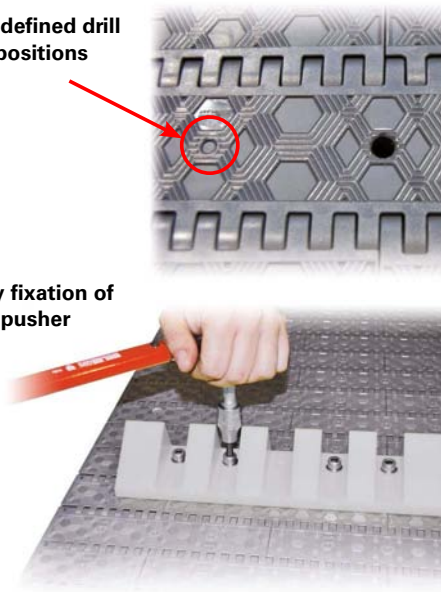
System Plast® 2508 and 2630 series belts can be used in a variety of heavy-duty applications, but their main design focus was for use in the automobile and car wash industries. With these industries in mind another unique design was created for the installation of pusher bars. The belt modules have mounting holes located on 50 mm centers which match the pusher bar mounts. These holes are identified within the module surface pattern for easy identification and pusher bar installation with M8 bolts. Disassembly of the belt is not required for installation, removal or relocation of the pusher bar.

Very easy to drill and cut M8 thread

Pre defined drill positions



Easy fixation of pusher



Available in grey, yellow and red.



Chains & sprockets	Wear strips	Side guide brackets & accessories	Levelers	Engineering manual
Modular belts & sprockets	Chain & belt return systems	Frame & structure supports	Bearing supports	
Curves & tracks	Side guide solutions	Miscellaneous products	Equipment	

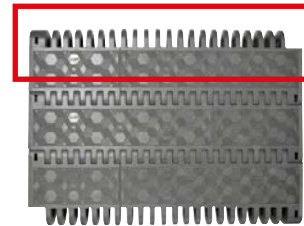
Improved Human Safety: System Plast® 2508 and 2630 series are designed with an advanced nonskid top surface for safety. The "Hexagonal Dimple" ensures safety for people who work on man-ride conveyors, as this provided additional traction for soft-soled shoes. However, it is quite easy to handle a cart with wheels on the belt since the texture is below the main surface layer.



◀ back continue ▶

Other features:

1. Hinge design increases pin's service level: better wear distribution due to special design with more hinges which means equal distribution of the stress forces.



For 2508 belt.
Go to product page:

3 0 6 2 0 a

For 2630 belt.
Go to product page:

3 0 6 4 5 a

MATERIALS 2508 AND 2630



Standard Material: Low Friction Acetal Resin - LFG (Dark Grey)

Low friction acetal resin, silicon free. Standard material for both belt series. Can be used in applications like skid conveyors and car wash installations. Offers low friction, high strength and very good wear resistance. Color of the belt is dark grey. The clips in this belt are made of acetal in waterblue color.



Special Material: Polypropylene - PPLG (Light Grey)

Silicon free Polypropylene. This is the most cost-effective material. Mechanical strength is about 50% of the strength of LFG material. Can be used in less demanding applications. However, PPLG is better suited to applications with chemical attack concerns. Color of the belt is light grey. The clips in this belt are made of acetal in white color.



Special Material: Anti-static Acetal - POM-AS (Black)

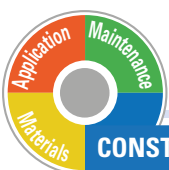
Anti-Static low-friction acetal resin, silicon free. This material offers a surface resistivity according to IEC 60093 of 10^6 to $10^9 \Omega$. Can be used in applications where anti-static properties are required like people movers. Also offers low friction, high strength and very good wear resistance. Color of the belt is black. The clips in this belt are made of acetal in yellow color.



Special Material: Flame Retardant Electrically Conductive Polypropylene - PP-FR-EC (Black)

Flame Retardant Electrically Conductive Polypropylene, silicon free. Flammability of this material according to UL94 is classified as V0. It offers a surface resistivity according to IEC 60093 of 10^3 to $10^4 \Omega$. Can be used in applications where an electrostatic charge of the belt must be avoided and where the belt should be flame retardant. Base material is Polypropylene, so the mechanical strength is about 50% of the strength of LFG material. Color of the belt is black. The clips in this belt are made of acetal in white color.

The pins in all LFG, PPLG and POM-AS belts will be made of PBT. Pins in PP-FR-EC belts will be made of stainless steel, AISI 430. On request, also other belts can be made with stainless steel pins.



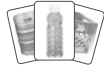
Chains & sprockets	Wear strips	Side guide brackets & accessories	Levelers	Engineering manual
Modular belts & sprockets	Chain & belt return systems	Frame & structure supports	Bearing supports	
Curves & tracks	Side guide solutions	Miscellaneous products	Equipment	



7 2 3 3 8 a

2508 AND 2630 BELTS SELECTION GUIDELINE

2508-2630 HEAVY DUTY BELTS



AUTOMOTIVE APPLICATIONS

AUTOMOTIVE MARKET SEGMENTATION	AUTOMOTIVE INDUSTRY										CAR WASHING INDUSTRY
	Man Mover	Vehicle Belt Conveyor	Skid Cross Conveyor	Skid Longitudinal Conveyor	Man mover + Car Mover	Component Conveyor (Light Duty)	Component Conveyor (Heavy Duty)	Pallet Handling	Vehicle Belt - Leaking test	Car wash Conveyor	Car wash detailing belt
2508 HEAVY DUTY BELT	LFG										
	PPLG										
	POM-AS										
	PP-FR-EC										
2630 EXTRA HEAVY DUTY BELT	LFG										
	PPLG										
	POM-AS										
	PP-FR-EC										

◀ back

For 2508 belt.
Go to product page:
3 0 6 2 0 a

For 2630 belt.
Go to product page:
3 0 6 4 5 a



CONSTRUCTION DETAILS - General index 7 2 1 1 0 a -

◀ back

7 2 1 1 7 a Conveyor length and speed plastic chains and belts

7 2 1 4 2 a Tensioner

7 2 1 2 6 a Sprocket position for 2508-2630

7 2 1 4 6 a Return part construction - Belts

7 2 1 4 0 a Construction recommendations

7 2 2 0 5 a Wearstrips - Belts

Chains & sprockets	Wear strips	Side guide brackets & accessories	Levelers	Engineering manual
Modular belts & sprockets	Chain & belt return systems	Frame & structure supports	Bearing supports	
Curves & tracks	Side guide solutions	Miscellaneous products	Equipment	

7 2 3 5 0 a

2080FT - MICROPITCH BELT OVERVIEW

2080FT MICROPITCH BELT



continue ▶

2080FT - MICROPITCH BELT SPECIFICATIONS

The 2080 micropitch belt is designed to allow extremely short head-to-tail transfers (can be used with silent nose bar). The 2080 belt eliminates the need for dead-plates and even enables small products to transfer in-line from one conveyor to the next without tipping. This characteristic makes the belt suitable to be used at shrink tunnel outfeed (see picture 1).

We suggest using this belt only on short conveyors.

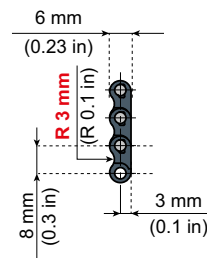
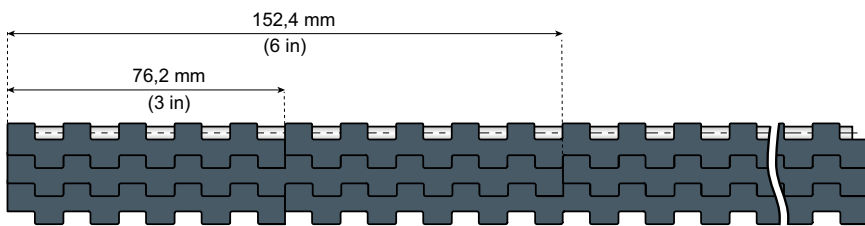


Pic. 1

For 2080FT belt.
Go to product page:

3 0 0 2 5 a

- Belt Pitch:** 8 mm (0.31")
- Thickness:** 6 mm (0.23")
- Back Flex Radius:** 10 mm (0.39")
- Max. Load Capacity:** 2500 N/m (1845 lbs/ft)
- Belt width:** 525 mm, increments of 75 mm are possible
- Belt Weight:** 5.5 kg/m² (1.12 lbs/ft².);
- Standard Belt Material:** NGevo and LFB;
- Standard Pin Material:** PBT (white)
- Standard length:**
 - width ≤ 15": 3.040 m (380 rows)
 - width > 15" ≤ 66": 1.520 m (190 rows)
 - width > 66": on request



CONSTRUCTION DETAILS - General index 7 2 1 1 0 a -

continue ▶

- | | | |
|---|---|---|
| 7 2 1 1 7 a Conveyor length and speed plastic chains and belts | 7 2 1 4 6 a Return part construction - Belts | 7 2 2 0 5 a Wearstrips - Belts |
| 7 2 1 4 0 a Construction recommendations | 7 2 1 4 8 a Rotating Rollers, Guide Shoes, Wearstrips & Serpentine | 7 2 2 1 7 a Nosebar Transfer (only 2120) |
| 7 2 1 4 2 a Tensioner | 7 2 1 7 9 a Head to tail transfers with roller modules - Belts | |



Chains & sprockets	Wear strips	Side guide brackets & accessories	Levelers	Engineering manual
Modular belts & sprockets	Chain & belt return systems	Frame & structure supports	Bearing supports	
Curves & tracks	Side guide solutions	Miscellaneous products	Equipment	

7 2 3 5 2 a

2080FT SPROCKETS

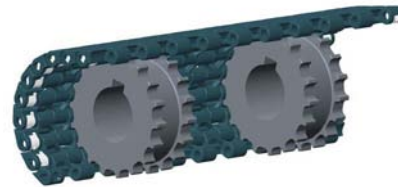
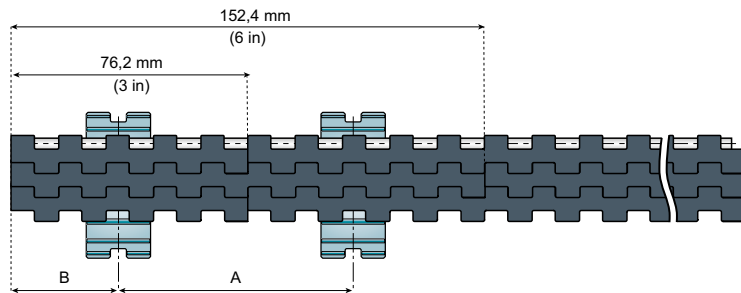
2080FT MICROPITCH BELT



SPROCKET POSITION:

Here below sprockets position along the shaft drive and table with A and B value for the 2080 series.

◀ back continue ▶



For 2080FT belt.
Go to product page:

3 0 0 2 5 a

For 2080FT sprockets.
Go to product page:

3 0 0 2 7 a

Belt Series and Versions	A (mm)	B (mm)	Recommended Number of Sprockets/Idler Wheels according to belt width
2080 FT	76.2 (3")	38.1 (1.5")	Number of Sprockets/idlers = belt width (mm)/ 76.2 mm; = belt width (in)/ 3-in • Example: belt width 990.6 mm (39"); Required number of sprocket: 990.6 / 76.2 = 13 For the sprocket's positioning of special cut-to-width belt, please refer to 7 2 1 2 8 a

Nominal belt width		Recommended number of sprockets / idler wheels	Nominal belt width		Recommended number of sprockets/ idler wheels
Series 2080			Series 2080		
mm	in		mm	in	
76,2	3	1	609,6	24	8
152,4	6	2	685,8	27	9
228,6	9	3	762,0	30	10
304,8	12	4	838,2	33	11
381,0	15	5	914,4	36	12
457,2	18	6	990,6	39	13
533,4	21	7	1066,8	42	14



CONSTRUCTION DETAILS - General index 7 2 1 1 0 a -

◀ back continue ▶

7 2 1 1 7 a Conveyor length and speed plastic chains and belts

7 2 1 4 6 a Return part construction - Belts

7 2 2 0 5 a Wearstrips - Belts

7 2 1 4 0 a Construction recommendations

7 2 1 4 8 a Rotating Rollers, Guide Shoes, Wearstrips & Serpentine

7 2 2 1 7 a Nosebar Transfer (only 2120)

7 2 1 4 2 a Tensioner

7 2 1 7 9 a Head to tail transfers with roller modules - Belts



Chains & sprockets	Wear strips	Side guide brackets & accessories	Levelers	Engineering manual
Modular belts & sprockets	Chain & belt return systems	Frame & structure supports	Bearing supports	
Curves & tracks	Side guide solutions	Miscellaneous products	Equipment	

7 2 3 5 4 a

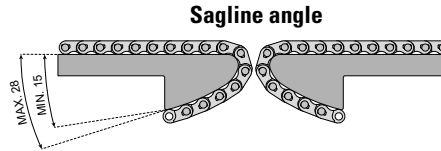
2080FT NOSE BAR
2080FT MICROPITCH BELT



◀ back

2080FT NOSE BAR

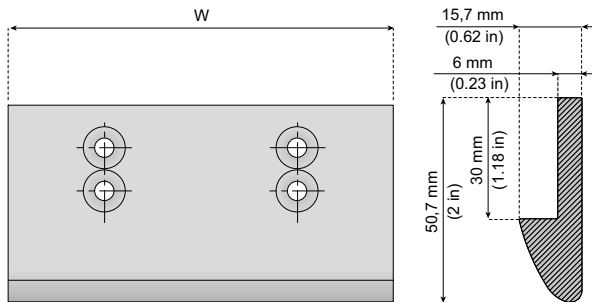
The combination with the new silent nose bar design makes the construction simple and will reduce the noise level considerably.



For 2080FT belt.
Go to product page:

3 0 0 2 5 a

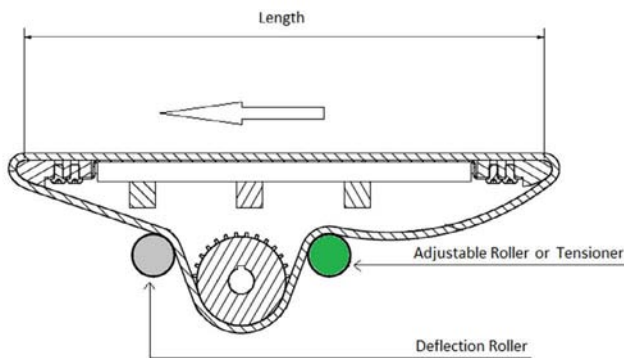
Nosebar dimensions:



ITEM DESCRIPTION	W mm	W in
SNB2080-NS-76H	76,2	3
SNB2080-NS-152H	152,4	6
SNB2080-NS-228H	228,6	9
SNB2080-NS-1200	1200	472

Note: 1,2 m nose bar are supplied WITHOUT holes

EXAMPLES OF 2080 CONVEYOR CONSTRUCTION:



Conveyor Length: usually conveyor lengths are around 800 mm -1000 mm, maximum length is up to 2000 mm.

Recommended Deflection or Adjustable roller diameter is 50 mm.

Deflection/Adjustable roller must be made of a solid/rigid round bar of PE, PA or steel.

The deflection roller should always be parallel to the sprocket/s to guarantee an uniform contact between belt and sprocket and so avoiding premature belt breakage.

The tensioning force should be between (gravity take up or adjustable deflection roller): 50 - 100 N (11.24 - 22.48 lbs.) per belt meter width depending on the load and the layout.

Sprocket wrapping angle = 140° +/- 10° "

BELT MOUNTING AND REMOVING INSTRUCTIONS:

Please refer to mounting and dismounting instruction of belt with clip at page **7 3 0 3 1 a**

- mounting and removal belt 1/2" belts with clip.



CONSTRUCTION DETAILS - General index 7 2 1 1 0 a -

◀ back

7 2 1 1 7 a Conveyor length and speed plastic chains and belts

7 2 1 4 6 a Return part construction - Belts

7 2 2 0 5 a Wearstrips - Belts

7 2 1 4 0 a Construction recommendations

7 2 1 4 8 a Rotating Rollers, Guide Shoes, Wearstrips & Serpentine

7 2 2 1 7 a Nosebar Transfer (only 2120)

7 2 1 4 2 a Tensioner

7 2 1 7 9 a Head to tail transfers with roller modules - Belts



Chains & sprockets	Wear strips	Side guide brackets & accessories	Levelers	Engineering manual
Modular belts & sprockets	Chain & belt return systems	Frame & structure supports	Bearing supports	
Curves & tracks	Side guide solutions	Miscellaneous products	Equipment	

7 2 3 5 6 a

2502DT DRAINING TOP BELT OVERVIEW

2502DT DRAINING TOP BELT



continue ►

For 2502DT belt.
Go to product page:

3 0 6 1 7 a

2502DT - DRAINING TOP BELT SPECIFICATIONS

This belt is designed for filtering purpose specially in pasteurizer application. The belt specifications are below:

Belt Pitch: 2" (58.8 mm)

Thickness: 0.5" (12.7 mm)

Back Flex Radius: 2.36" (60 mm)

Max. Load Capacity: 3000 N/m (205.5 lbs/ft)

Belt width: 525 mm, increments of 75 mm are possible

Drainage windows: square 4x4 mm max

Drainage flow rate: 150 m³/h (91 gal/min.)

Open Area: 37%

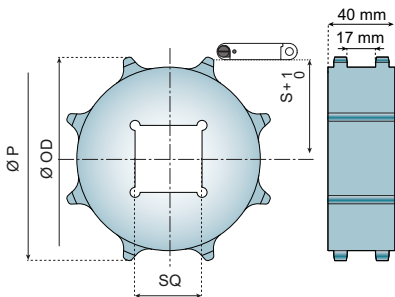
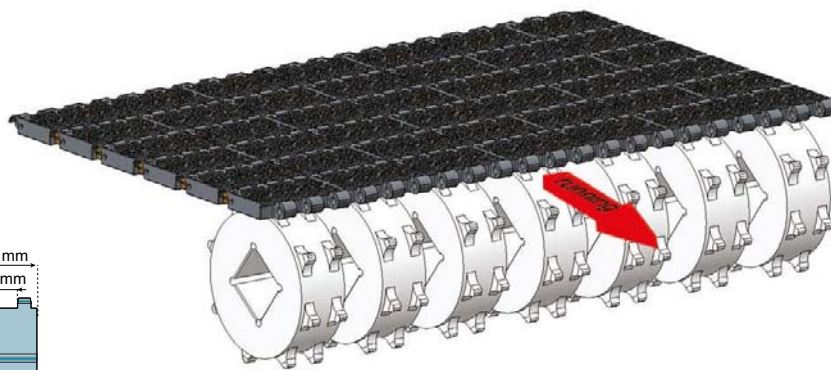
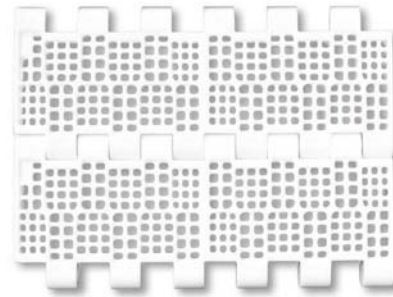
Belt Weight: 2.55 kg/m for 525 mm width

Standard Belt Material: Polypropylene white

Operating temperature: 20°C - 80°C (68°F to 176°F)

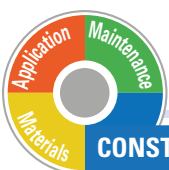
Chemical resistance: water with dilute chemicals as per standard pasteurizer application (for further details refer to page **7 3 5 8 6 a** - chemical resistance of standard materials)

Standard Pin Material: Polypropylene;



Z	MACHINED DRIVE SPROCKETS SQUARE BORE - ONE PIECE FLOATING		
	∅ 40X40	∅ 60X60	∅ 90X90
8	2502-8S40M-DM	-	-
10	2502-10S40M-DM	2502-10S60M-DM	-
12	-	2502-12S60M-DM	2502-12S90M-DM

Z	∅ OD mm	∅ P mm	S mm
8	132	132,4	55,2
10	163,4	164,4	72,3
12	196,1	196,3	88,8



CONSTRUCTION DETAILS - General index 7 2 1 1 0 a -

continue ►

7 2 1 1 7 a Conveyor length and speed plastic chains and belts

7 2 1 4 8 a Rotating Rollers, Guide Shoes, Wearstrips & Serpentine

7 2 3 1 0 a 2500RR Raised Rib Belt

7 2 1 4 0 a Construction recommendations

7 2 1 6 2 a Transfers

7 2 1 4 6 a Return part construction - Belts

7 2 2 0 5 a Wearstrips - Belts



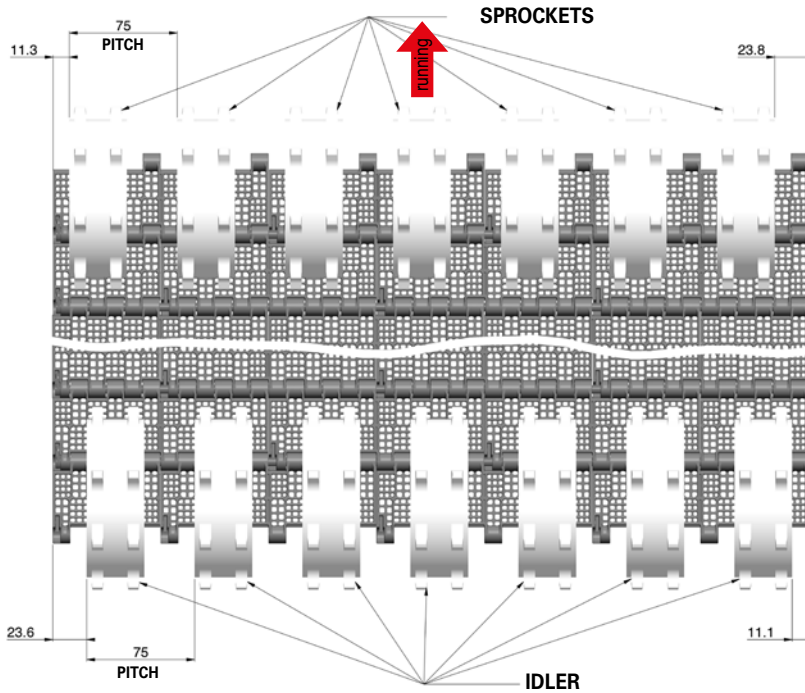
Chains & sprockets	Wear strips	Side guide brackets & accessories	Levelers	Engineering manual
Modular belts & sprockets	Chain & belt return systems	Frame & structure supports	Bearing supports	
Curves & tracks	Side guide solutions	Miscellaneous products	Equipment	



◀ back continue ▶

SPROCKET POSITION:

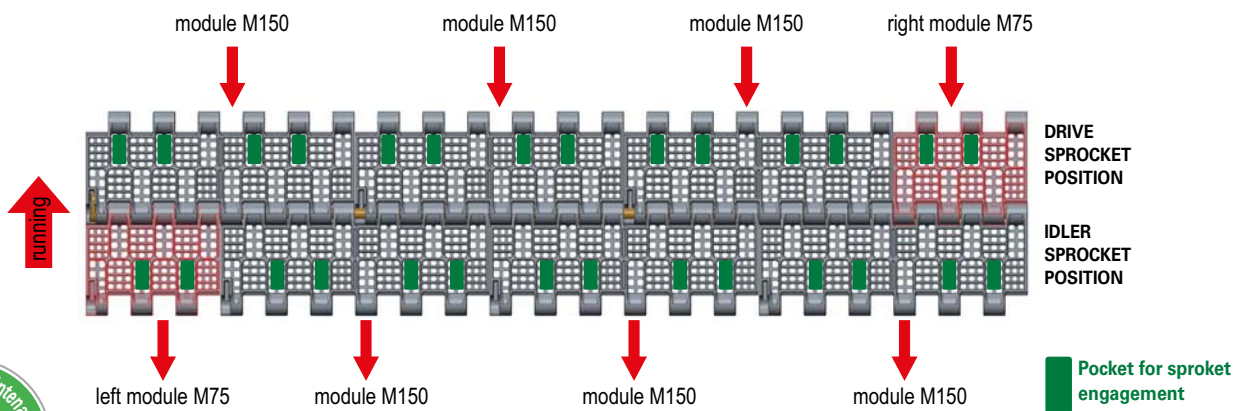
This belt has been designed to fit one sprocket every 75 mm of width. Therefore, on a 525 mm width there are seven drive sprockets and seven idlers. The schematic of belt coupled with sprockets shown below must be followed to achieve the correct engagement of the sprockets/idlers with the belt. Please note that drive sprockets are not installed exactly in line with the idlers.



For 2502DT belt.
Go to product page:
3 0 6 1 7 a

Belt Series and Versions	Recommended Number of Sprockets according to belt width
• 2502DT	Number of Sprockets/Idlers = belt width (mm) / 75 mm; • Example: belt width 525 mm; required number of sprocket: 525 / 75 = 7 • Sprockets/idlers distance: see drawing above (dimensions in mm)

ENGAGING POCKET:



◀ back continue ▶

- 7 2 1 1 7 a** Conveyor length and speed plastic chains and belts
- 7 2 1 4 8 a** Rotating Rollers, Guide Shoes, Wearstrips & Serpentine
- 7 2 3 1 0 a** 2500RR Raised Rib Belt
- 7 2 1 4 0 a** Construction recommendations
- 7 2 1 6 2 a** Transfers
- 7 2 1 4 6 a** Return part construction - Belts
- 7 2 2 0 5 a** Wearstrips - Belts

Chains & sprockets	Wear strips	Side guide brackets & accessories	Levelers	Engineering manual
Modular belts & sprockets	Chain & belt return systems	Frame & structure supports	Bearing supports	
Curves & tracks	Side guide solutions	Miscellaneous products	Equipment	

7 2 3 5 8 a MOUNTING AND DISMOUNTING INSTRUCTIONS

2502DT DRAINING TOP BELT



◀ back

BELT MOUNTING AND DISMOUNTING INSTRUCTIONS:

In the following pictures, the pin clip locking system is shown.

1- Loose module with pin clip



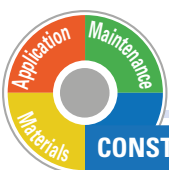
For 2502DT belt.
Go to product page:

3 0 6 1 7 a

2- Insert the pin clip inside the belt hinges and with a flat screw drive rotate till end position



3-The belt is now closed



CONSTRUCTION DETAILS - General index 7 2 1 1 0 a -

◀ back

7 2 1 1 7 a Conveyor length and speed plastic chains and belts

7 2 1 4 8 a Rotating Rollers, Guide Shoes, Wearstrips & Serpentine

7 2 3 1 0 a 2500RR Raised Rib Belt

7 2 1 4 0 a Construction recommendations

7 2 1 6 2 a Transfers

7 2 1 4 6 a Return part construction - Belts

7 2 2 0 5 a Wearstrips - Belts

Chains & sprockets	Wear strips	Side guide brackets & accessories	Levelers	Engineering manual
Modular belts & sprockets	Chain & belt return systems	Frame & structure supports	Bearing supports	
Curves & tracks	Side guide solutions	Miscellaneous products	Equipment	

7 2 3 6 0 a

SPEEDSET™ BRACKETS

CONVEYOR COMPONENTS



continue ▶

SpeedSet™ bracket is used to adjust one side or two sides.

With the largest SpeedSet bracket cartridge, there are 40 mm (2.5" imperial version for US market) width for side adjustment (each side). Which mean the maximum adjustable product size difference is 2x40 mm (2x2.5" for imperial version) if both sides are used for adjustment.

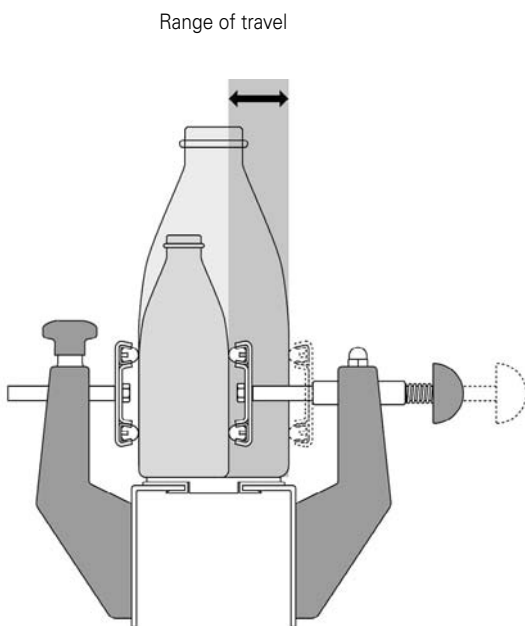
For speedset™. Go to product page:

5 3 5 9 5 a

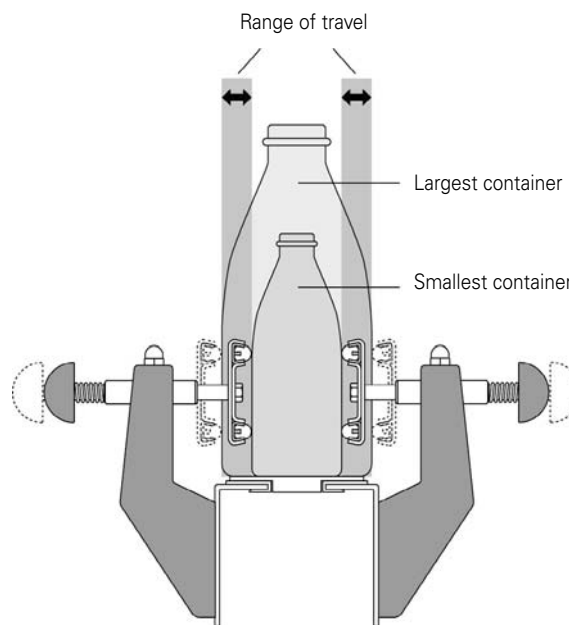
Speedset™ bracket application. Go to:

7 2 5 9 0 a

SINGLE SIDE ADJUSTING

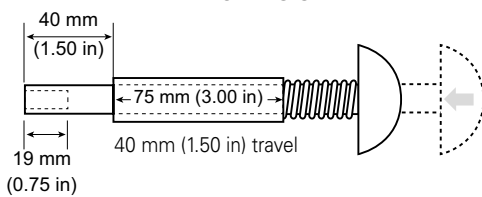


DOUBLE SIDE ADJUSTING

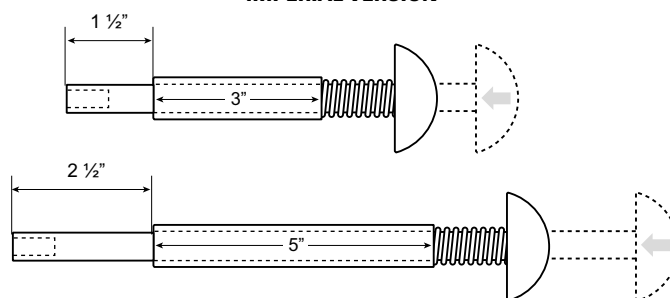


THE SPEEDSET™ BRACKET SYSTEM UNIT DIMENSIONS:

METRIC VERSION



IMPERIAL VERSION



CONSTRUCTION DETAILS - General index **7 2 1 1 0 a** -

continue ▶

7 2 1 4 0 a Construction recommendations

7 2 1 4 4 a Return part construction - Chains

7 2 1 4 6 a Return part construction - Belts

7 2 1 4 8 a Rotating Rollers, Guide Shoes, Wearstrips & Serpentine

7 2 1 7 3 a Head to tail transfers with roller modules - Chains

7 2 1 7 9 a Head to tail transfers with roller modules - Belts

7 2 1 9 5 a Wearstrips - Chains

7 2 2 0 5 a Wearstrips - Belts



Chains & sprockets	Wear strips	Side guide brackets & accessories	Levelers	Engineering manual
Modular belts & sprockets	Chain & belt return systems	Frame & structure supports	Bearing supports	
Curves & tracks	Side guide solutions	Miscellaneous products	Equipment	

7 2 3 6 2 a

SPEEDSET™ BRACKETS

CONVEYOR COMPONENTS

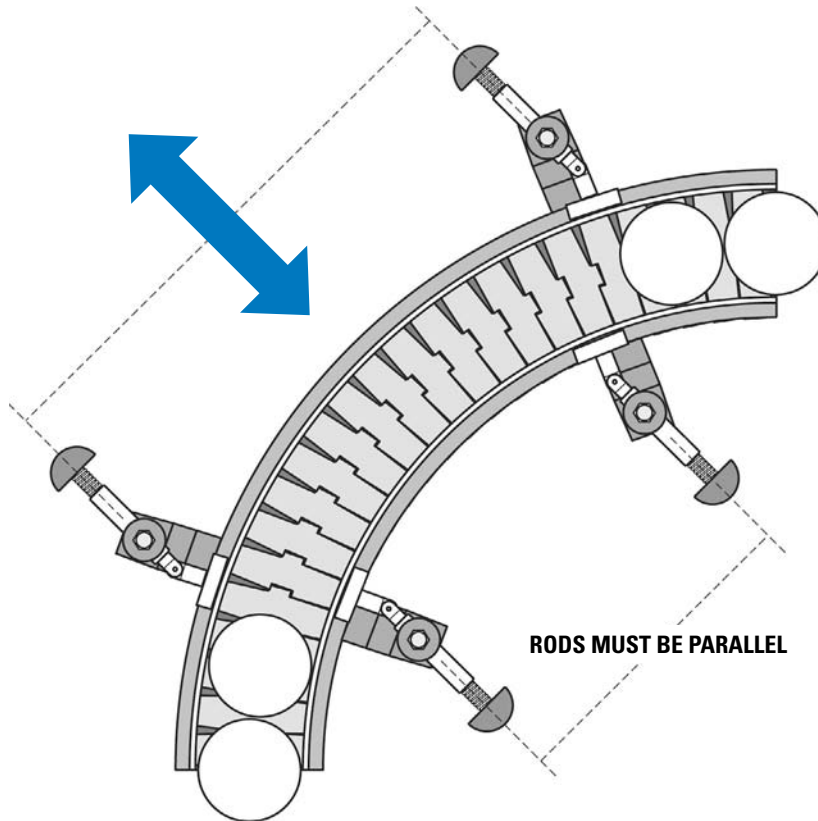


SPEEDSET™ BRACKET IN THE CURVE:

SpeedSet™ brackets can also be used in curves. The guide rail in the curve must be a separate piece from the guide rail on the straight end. Also, an extra jointed adaptor (hinge) and brackets with a swivel head must be used to mount the SpeedSet units parallel in the curve. The SpeedSet units must be parallel to allow for adjustment. See the diagram below.

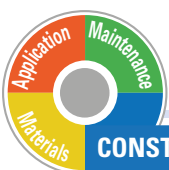
◀ back continue ▶

For speedset™.
Go to product page:
5 3 5 9 5 a



Speedset™ bracket application. Go to:
7 2 5 9 0 a

A bridge kit must be used to join curve sections to the straight sections to prevent a gap from forming when adjusting the curves.



CONSTRUCTION DETAILS - General index 7 2 1 1 0 a -

◀ back continue ▶

7 2 1 4 0 a Construction recommendations

7 2 1 4 8 a Rotating Rollers, Guide Shoes, Wearstrips & Serpentine

7 2 1 9 5 a Wearstrips - Chains

7 2 1 4 4 a Return part construction - Chains

7 2 1 7 3 a Head to tail transfers with roller modules - Chains

7 2 2 0 5 a Wearstrips - Belts

7 2 1 4 6 a Return part construction - Belts

7 2 1 7 9 a Head to tail transfers with roller modules - Belts



Chains & sprockets	Wear strips	Side guide brackets & accessories	Levelers	Engineering manual
Modular belts & sprockets	Chain & belt return systems	Frame & structure supports	Bearing supports	
Curves & tracks	Side guide solutions	Miscellaneous products	Equipment	



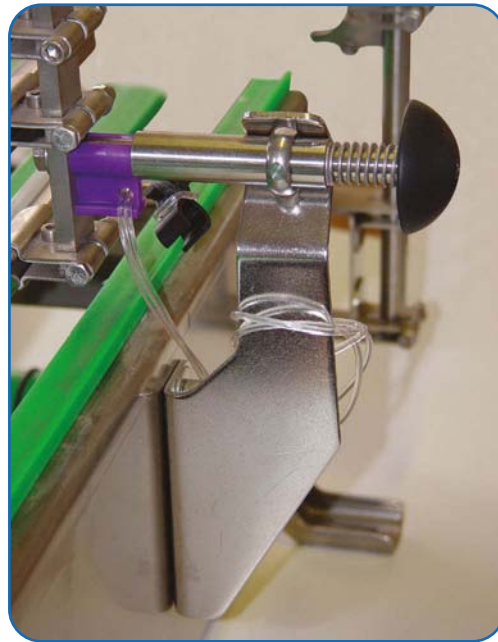
THE POSITION OF THE SPEEDSET™ UNITS:

The distance between the brackets is recommended to be **800-1000 mm (32 - 40 in)**, depending on the flexibility of the guide rail and the pressure from the products. If you are replacing an existing system, simply utilizing the existing bracket spacing should be sufficient. The system is designed so you can walk alongside the conveyor and change the position of the guide rail, one bracket at a time. Enough flexibility is needed to reset the SpeedSet™ units one after the other. A SpeedSet bracket has limited flexibility because it also needs to hold the side guide.

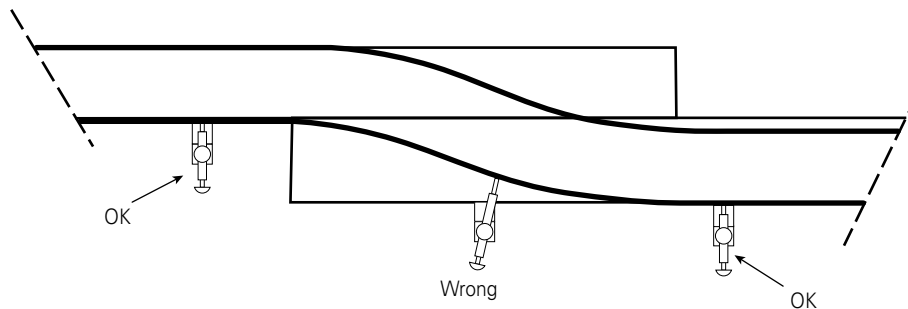
◀ back continue ▶

For speedset™.
Go to product page:
5 3 5 9 5 a

Speedset™ bracket application. Go to:
7 2 5 9 0 a



When the guide rail goes across a sideward transfer, the rail itself can be 1 piece because the SpeedSet units remain parallel. However, the SpeedSet™ units should always be positioned before or after the transfer where the guide rail is straight and not bent. If a bracket is needed in the curve area of a sideways transfer, use a jointed SpeedSet brackets rod adaptor so the SpeedSet bracket can remain parallel with the other brackets in line.



Take care when positioning SpeedSet™ brackets, as additional space is necessary to accommodate for adjustment. The brackets must have range of motion for the adjustment, and enough accessibility so an operator can make the adjustment.

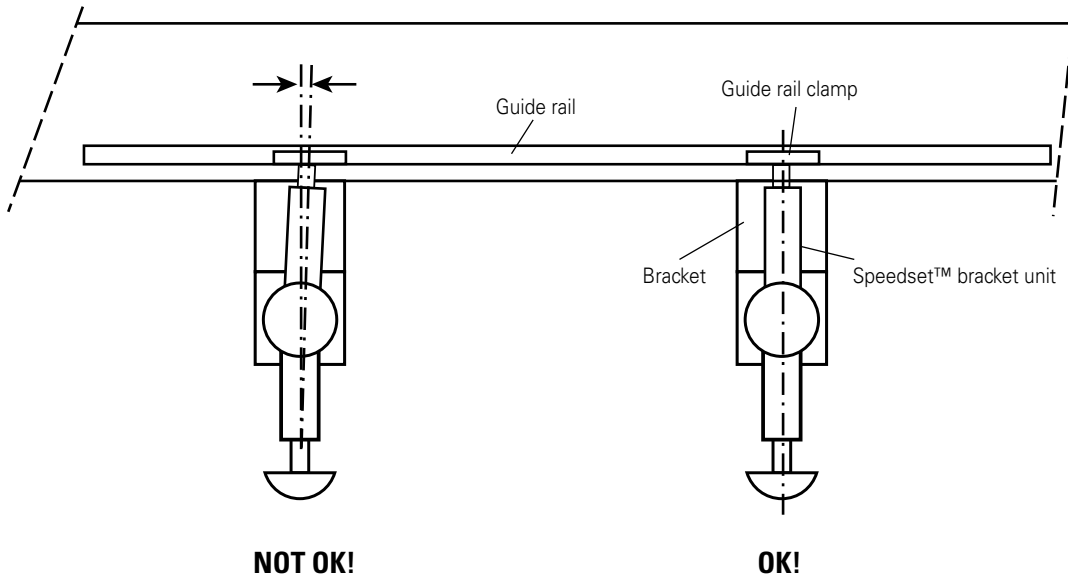
If the SpeedSet brackets are not aligned in parallel, the guide rails will be difficult to adjust. Care must be taken to ensure all brackets and rods are parallel with one another.



Chains & sprockets	Wear strips	Side guide brackets & accessories	Levelers	Engineering manual
Modular belts & sprockets	Chain & belt return systems	Frame & structure supports	Bearing supports	
Curves & tracks	Side guide solutions	Miscellaneous products	Equipment	



◀ back continue ▶



For speedset™.
Go to product page:
5 3 5 9 5 a

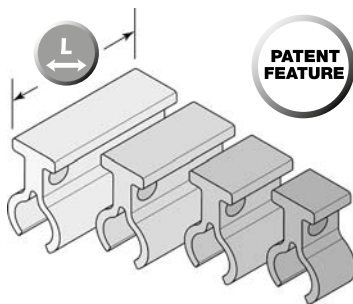
Speedset™ bracket application. Go to:
7 2 5 9 0 a

In short, the Speedset™ units should be parallel, spaced sufficiently and be well-aligned with the clamps holding the guide rail. The Speedset units must have enough room to adjust. The guide rail itself needs to be stable, straight and/or bent properly. Instead of affixing everything as tightly as possible you need to leave room for adjustment.

THE SPACERS:

A key element of the Speedset bracket system is the spacers. They set the relative position of the guide rail for each product size. The QSC style spacer is available in different lengths and different corresponding colors. The QSC spacer can be used to achieve 3 different adjustments with just one spacer. The total Speedset unit is fixed with an eyebolt and nut. The absolute position is set with this eyebolt/nut.

Clip-on spacers for Speedset™ bracket



Can be connected to the bracket or the machine with the VG-QT-01 tether.

ITEM DESCRIPTION		
VG-QSC-10M	10 mm	Red
VG-QSC-12M	12 mm	Blue
VG-QSC-16M	16 mm	Black
VG-QSC-20M	20 mm	Green
VG-QSC-25M	25 mm	Purple
VG-QSC-30M	30 mm	Orange
VG-QSC-40M	40 mm	Grey
VG-QT-01	225 mm	



◀ back continue ▶

7 2 1 4 0 a Construction recommendations

7 2 1 4 4 a Return part construction - Chains

7 2 1 4 6 a Return part construction - Belts

7 2 1 4 8 a Rotating Rollers, Guide Shoes, Wearstrips & Serpentine

7 2 1 7 3 a Head to tail transfers with roller modules - Chains

7 2 1 7 9 a Head to tail transfers with roller modules - Belts

7 2 1 9 5 a Wearstrips - Chains

7 2 2 0 5 a Wearstrips - Belts



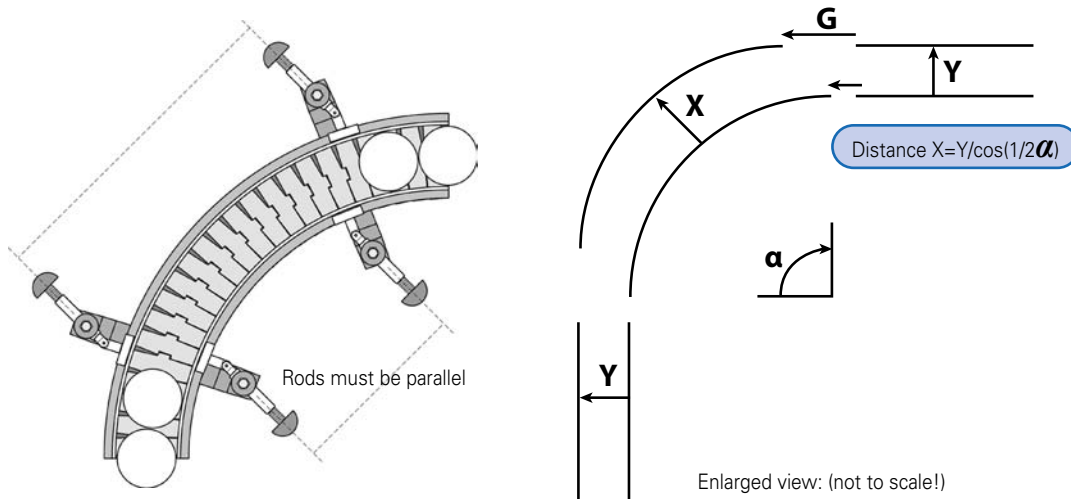
Chains & sprockets	Wear strips	Side guide brackets & accessories	Levelers	Engineering manual
Modular belts & sprockets	Chain & belt return systems	Frame & structure supports	Bearing supports	
Curves & tracks	Side guide solutions	Miscellaneous products	Equipment	



TRANSFERS:

Guide rail transfers in/out curve:

If adjusting a conveyor section with a 90° curve, the curved rail section must be adjusted at a 45° angle. See below:



◀ back continue ▶

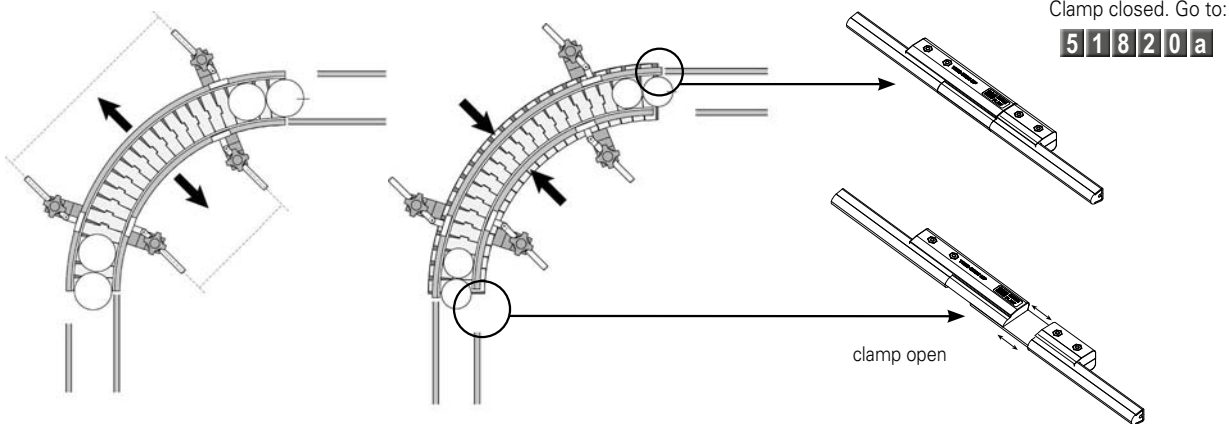
For speedset™.
Go to product page:
5 3 5 9 5 a

Speedset™ bracket application. Go to:
7 2 5 9 0 a

This means that the outside curve section moves away from the straight section when shifted to larger product diameter.

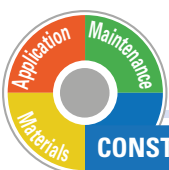
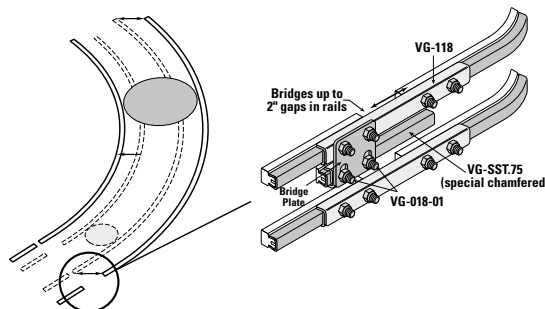
Gap G needs to be bridged to ensure smooth product guiding.

To cover gap "G" there are standard guide rail bridge kits available. Refer to SmartGuide® catalogue at page **5 1 8 2 0 a**



We always recommend making the transfer from the straight section to the curve section and back about 100-200 mm (4 - 8 in) before and after the curve (100-200 mm [4 - 8 in] straight at the in- and outfeed of the curve).

Bridge kits can also be used to fill the gap using the same guide rail as is used throughout the conveyor. These may be necessary if thicker rails than the SSR are used with the Speedset™ bracket.



7 2 1 4 0 a Construction recommendations

7 2 1 4 4 a Return part construction - Chains

7 2 1 4 6 a Return part construction - Belts

7 2 1 4 8 a Rotating Rollers, Guide Shoes, Wearstrips & Serpentine

7 2 1 7 3 a Head to tail transfers with roller modules - Chains

7 2 1 7 9 a Head to tail transfers with roller modules - Belts

7 2 1 9 5 a Wearstrips - Chains

7 2 2 0 5 a Wearstrips - Belts



Chains & sprockets	Wear strips	Side guide brackets & accessories	Levelers	Engineering manual
Modular belts & sprockets	Chain & belt return systems	Frame & structure supports	Bearing supports	
Curves & tracks	Side guide solutions	Miscellaneous products	Equipment	

7 2 3 7 0 a

SPEEDSET™ BRACKETS

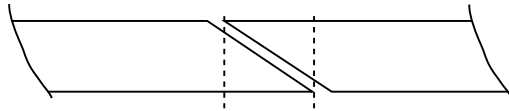
CONVEYOR COMPONENTS



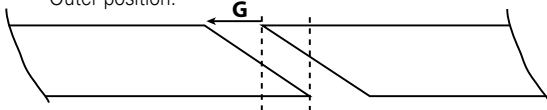
If the guide rail is sufficiently tall, cutting it at a shallow angle (30°) will give enough horizontal room to cover the gap in the outer (widest) position of the guide rail in most cases. In this way the product will always be guided.

◀ back continue ▶

Inner position:



Outer position:

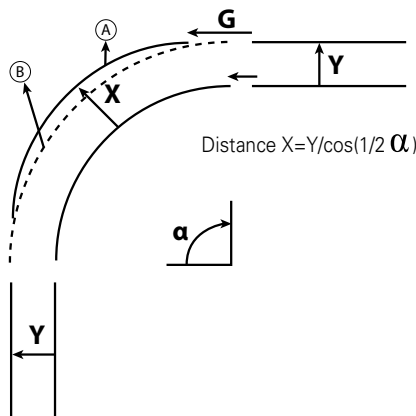


For more extreme differences in product diameter we advise to contact our technical support.

Speedset™ bracket application. Go to:
7 2 5 9 0 a

RADIUS OF GUIDE RAIL:

In theory, when adjusting the guide rail in a curve you would want to also adjust the radius of the guide rail.



Instead of the guide rail radius A you would theoretically want radius B.

In practice, however this is hardly ever an issue because the guide rail itself needs to be stable and is –partly- made of stainless steel. Therefore, you cannot change the radius.

Also, the differences in product diameter tend to be relatively small, so the difference in radius is also small.

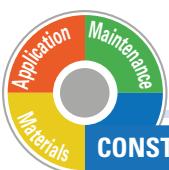
If (like just in front and after the machines) the product needs to be guided on the centre of the chain the difference is divided between left and right and thus even less.

In practice, these differences are ignored. Important thing is to set the transfers right.

If for whatever reason it is necessary to adjust the radius a few options are possible.

1. Guide rail with the stainless-steel backing (like the VG-LSSR) only where the clamps are. The rest is plastic only and thus flexible. This is only possible with light weight products.
2. In the case of roller guides, the flexible SpeedRail™ roller guide (VG-687FLEX) can be used.
3. Any other flexible and still sufficiently stable custom-built guide rail.

Depending on the radius of the curve 2 or 3 brackets are supporting the guide rail. For adjusting also the radius you need at least 3 brackets. The 2-outer set the distance. The one in the middle determines the radius.



CONSTRUCTION DETAILS - General index 7 2 1 1 0 a -

◀ back continue ▶

7 2 1 4 0 a Construction recommendations

7 2 1 4 4 a Return part construction - Chains

7 2 1 4 6 a Return part construction - Belts

7 2 1 4 8 a Rotating Rollers, Guide Shoes, Wearstrips & Serpentine

7 2 1 7 3 a Head to tail transfers with roller modules - Chains

7 2 1 7 9 a Head to tail transfers with roller modules - Belts

7 2 1 9 5 a Wearstrips - Chains

7 2 2 0 5 a Wearstrips - Belts



Chains & sprockets	Wear strips	Side guide brackets & accessories	Levelers	Engineering manual
Modular belts & sprockets	Chain & belt return systems	Frame & structure supports	Bearing supports	
Curves & tracks	Side guide solutions	Miscellaneous products	Equipment	

FURTHER CONSIDERATIONS:

With SpeedSet™ bracket, the guide rail is not fixed. It can be moved and adjusted on a regular basis. That means the guide rail itself must be stable, straight and/or well bent. The guide rail cannot be forced into position anymore by the brackets. This is a major difference in thinking which should not be underestimated.

The guide rail needs to be positioned with a high accuracy as done with fixed guide rails, because of the desire for small tolerances on the different relative positions. That means smaller tolerances are needed on the absolute positioning.

With the usual fixed side guide, it's less important how accurately the brackets are positioned relative to the clamps on the guide rail. Especially when using a bracket with swivel head it can always be made to fit. With SpeedSet bracket however the clamps and brackets need to be aligned properly to ensure smooth movement of the SpeedSet bracket units when changing the position of the guide rail.

Obviously when adjusting the guide rail on 1 side, it's also very important that the opposite fixed side is stable, straight and/or well bent and accurately positioned.

Cleaning:

When a line equipped with SpeedSet bracket gets cleaned, attention should be paid to proper rinsing. Foam cleaners in particular have the tendency to get in between the outer sleeve and the inner adjustable rod. When the system is rinsed properly the SpeedSet bracket unit remains easy to move back and forth.

Occasionally, applying some oil may between the inner and the outer part of the SpeedSet bracket unit may be necessary to keep it moving easily.

SpeedSet bracket can also be used for vertical setting of a top guide. In this case attention should be paid to the weight of the guide relative to the strength of the spring. In certain special cases, the SpeedSet bracket unit may be adapted to a heavier top guide. The spacer and the spring will then change position.



◀ back

Speedset™ bracket application. Go to: **7 2 5 9 0 a**



◀ back

7 2 1 4 0 a Construction recommendations

7 2 1 4 8 a Rotating Rollers, Guide Shoes, Wearstrips & Serpentine

7 2 1 9 5 a Wearstrips - Chains

7 2 1 4 4 a Return part construction - Chains

7 2 1 7 3 a Head to tail transfers with roller modules - Chains

7 2 2 0 5 a Wearstrips - Belts

7 2 1 4 6 a Return part construction - Belts

7 2 1 7 9 a Head to tail transfers with roller modules - Belts



Chains & sprockets	Wear strips	Side guide brackets & accessories	Levelers	Engineering manual
Modular belts & sprockets	Chain & belt return systems	Frame & structure supports	Bearing Supports	
Curves & tracks	Side guide solutions	Miscellaneous products	Equipment	



7 2 5 1 0 a

INDEX APPLICATIONS

INTERNATIONAL METRIC

APPLICATIONS

- Extra curves **72515a**
- Self cleaning curves **72515b**
- Crate conveying
 - Stainless steel chains **72520a**
 - Plastic chains and belts **72525a**
- Gripper chains & selection of gripper version
 - Gripper chains **72532a**
 - Selection of gripper types **72533a**
- Noise reduction **72536a**
- Inclined and declined conveyors **72540a**
- LBP Accumulation **72546a**
- Roller side guides **72552a**
- Pressureless combiners
 - Chains **72558a**
 - Belts **72560a**
 - Wearstrips **72561a**
- Dry lubrication **72564a**
- Dry run considerations **72575a**
- Speedset™ brackets **72590a**
- Sideflexing belts
 - 2120M - Flowflex™ belts **72595a**
 - 2250 - Flight version **72615a**
- 2253RTC - Roller top version
 - Principle of handling functions **72625a**
 - Application examples **72630a**
 - Questionnaire **72640a**

INSPECTION AND MAINTENANCE 7 3 0 1 0 a

7 2 1 1 0 a CONSTRUCTION DETAILS

SELECTION GUIDELINES INDEX 7 2 0 1 0 a

7 3 5 1 0 a MATERIALS AND CALCULATIONS



Chains & sprockets	Wear strips	Side guide brackets & accessories	Levelers	Engineering manual
Modular belts & sprockets	Chain & belt return systems	Frame & structure supports	Bearing Supports	
Curves & tracks	Side guide solutions	Miscellaneous products	Equipment	

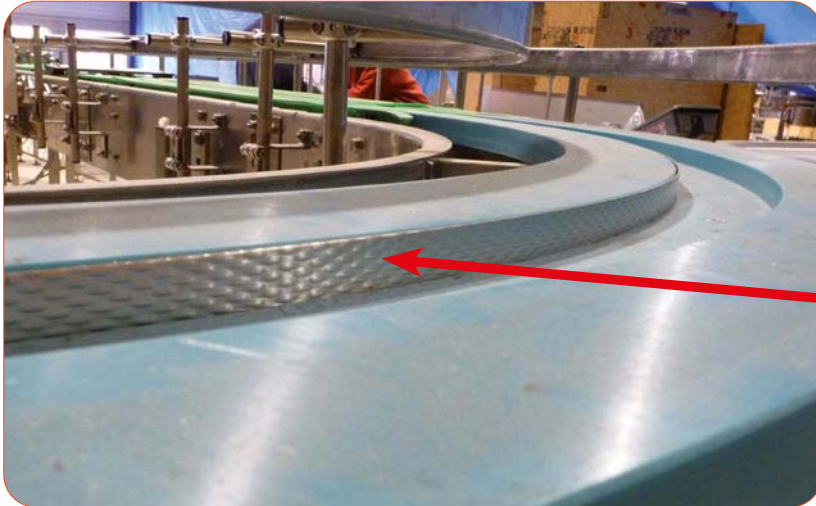
7 2 5 1 5 a

EXTRA CURVES



continue ▶

In an EXTRA curve a profiled stainless-steel strip is mounted on the inside of the curve.



STAINLESS STEEL STRIP

Curve system-chains.
Go to:
7 2 1 3 4 a

Curve system-belts.
Go to:
7 2 1 3 6 a

Load on curves.
Go to:
7 2 1 3 8 a

The profiled structure of the stainless-steel strip dissipates the heat and has a better abrasive resistance

The EXTRA execution is also available for TAB curves.



Recommended for:

- High load and low speed applications
- Harsh and abrasive circumstances

For other applications, contact our technical support.



APPLICATIONS - General index 7 2 5 1 0 a -

continue ▶

7 2 5 1 5 b Self cleaning curves

7 2 5 2 0 a Crate conveying - SS chains

7 2 5 2 5 a Crate conveying - Plastic chains

7 2 5 3 2 a Gripper chains

7 2 5 3 6 a Noise reduction

7 2 5 4 0 a Inclined and declined conveyors

7 2 5 4 6 a LBP Accumulation

7 2 5 6 0 a Pressurless combiners belt

7 2 5 9 5 a Flowflex™ belts

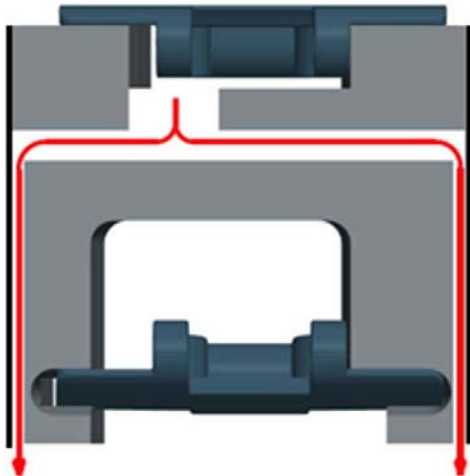
Chains & sprockets	Wear strips	Side guide brackets & accessories	Levelers	Engineering manual
Modular belts & sprockets	Chain & belt return systems	Frame & structure supports	Bearing Supports	
Curves & tracks	Side guide solutions	Miscellaneous products	Equipment	

7 2 5 1 5 b

SELF CLEANING CURVES



A special execution of a magnetic curve in circumstances with higher demands on hygiene is the self-cleaning curve:



◀ back

Curve system-chains.
Go to:
7 2 1 3 4 a

Load on curves.
Go to:
7 2 1 3 8 a



CURVE CHARACTERISTICS:

- self-draining
- no recontamination in return part
- installation of nozzles possible

NOTICE Return part must be spaced apart from carry for proper function.



APPLICATIONS - General index **7 2 5 1 0 a** -

◀ back

- | | | |
|---|--|---|
| 7 2 5 1 5 a Extra curves | 7 2 5 3 6 a Noise reduction | 7 2 5 5 8 a Pressurless combiners chains |
| 7 2 5 2 0 a Crate conveying - SS chains | 7 2 5 4 0 a Inclined and declined conveyors | 7 2 5 6 0 a Pressurless combiners belt |
| 7 2 5 2 5 a Crate conveying - Plastic chains | 7 2 5 4 6 a LBP Accumulation | 7 2 5 9 5 a Flowflex™ belts |

Chains & sprockets	Wear strips	Side guide brackets & accessories	Levelers	Engineering manual
Modular belts & sprockets	Chain & belt return systems	Frame & structure supports	Bearing Supports	
Curves & tracks	Side guide solutions	Miscellaneous products	Equipment	

7 2 5 2 0 a

STAINLESS STEEL CHAINS
CRATE CONVEYING



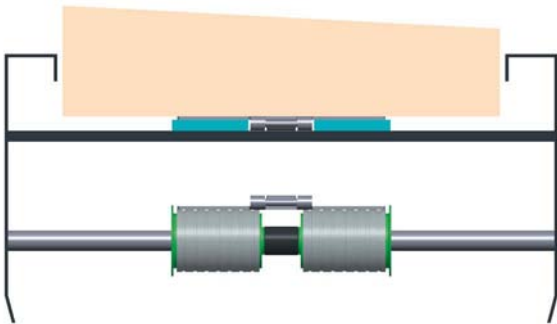
continue ►

For crate conveyor designed with plastic chains, refer to page **7 2 5 2 5 a**

Stainless steel crate conveyors are generally lubricated.

Commonly there are several ways for conveying crates with steel chains:

1. With a single strand of stainless steel chains, width 7-1/2"



Principle sketch of a possible construction- Straight section



Steel Chains Index.
Go to product page:

1 1 0 1 0 a

Wearstrips Index.
Go to product page:

5 0 5 1 0 a

Return Roller Index.
Go to product page:

5 1 0 1 0 a

Construction recommendations.
Go to:

7 2 1 4 0 a

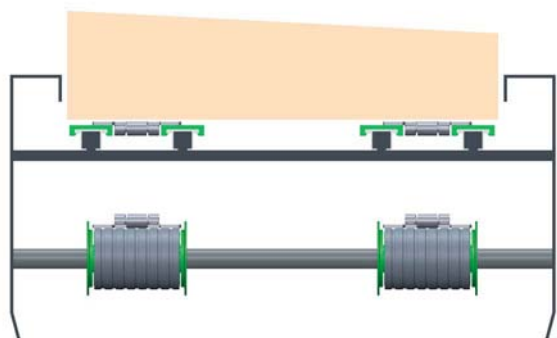
Return part construction-chains.
Go to:

7 2 1 4 4 a

Wearstrips-chains.
Go to:

7 2 1 9 5 a

2. With two strands of stainless steel chains, width 3 1/4"



Principle sketch of a possible construction- Straight section



It is recommended to use UHMWPE wears strips underneath the chain in the stainless-steel tracks.



APPLICATIONS - General index **7 2 5 1 0 a** -

continue ►

7 2 5 1 5 a Extra curves

7 2 5 1 5 b Self cleaning curves

7 2 5 2 5 a Crate conveying - Plastic chains and belts

7 2 5 3 6 a Noise reduction

7 2 5 4 0 a Inclined and declined conveyors

Chains & sprockets	Wear strips	Side guide brackets & accessories	Levelers	Engineering manual
Modular belts & sprockets	Chain & belt return systems	Frame & structure supports	Bearing Supports	
Curves & tracks	Side guide solutions	Miscellaneous products	Equipment	

7 2 5 2 1 a

STAINLESS STEEL CHAINS
CRATE CONVEYING



3. With two strands of stainless steel Plate-Top chains, width 3 1/4''.



Principle sketch of a possible construction - straight section

◀ back continue ▶

Plate top chain index.
Go to product page:
1 1 1 4 0 a

Curve and straight track index.
Go to product page:
5 0 0 0 5 a

Construction recommendations.
Go to:
7 2 1 4 0 a

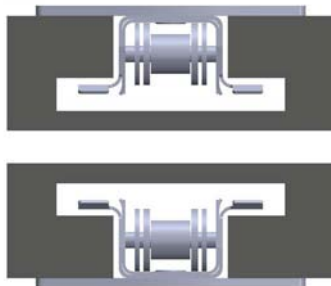
Return part construction-chains.
Go to:
7 2 1 4 4 a

Wearstrips-chains.
Go to:
7 2 1 9 5 a

Curve system-chains.
Go to:
7 2 1 3 4 a

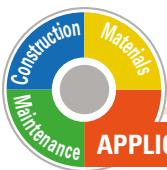
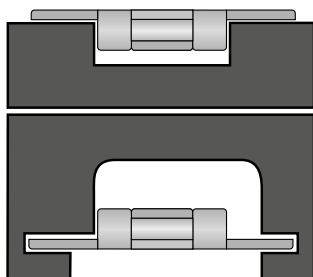
CURVES:

In curve section, the stainless steel chains are guided with a TAB system as below. This configuration is applicable for both single strand with 7 1/2'' width and double strand with 3 1/4'' width.



Curve and tracks index. Go to:
5 0 1 6 0 a

Another configuration with magnetic curve is possible as well. Magnetic curve is the easiest to clean.



APPLICATIONS - General index 7 2 5 1 0 a -

◀ back continue ▶

7 2 5 1 5 a Extra curves

7 2 5 1 5 b Self cleaning curves

7 2 5 2 5 a Crate conveying - Plastic chains and belts

7 2 5 3 6 a Noise reduction

7 2 5 4 0 a Inclined and declined conveyors

Chains & sprockets	Wear strips	Side guide brackets & accessories	Levelers	Engineering manual
Modular belts & sprockets	Chain & belt return systems	Frame & structure supports	Bearing Supports	
Curves & tracks	Side guide solutions	Miscellaneous products	Equipment	

7 2 5 2 2 a

STAINLESS STEEL CHAINS
CRATE CONVEYING



TRANSFERS

Depending on the application a dead plate can be used to make the transfer from one conveyor to the other:

◀ back

For crate conveyor stainless steel chains.
Go to product page:

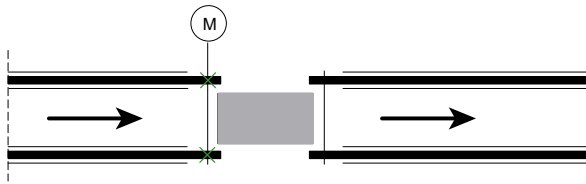
1 1 0 1 0 a

For crate conveyor plastic chains.
Go to product page:

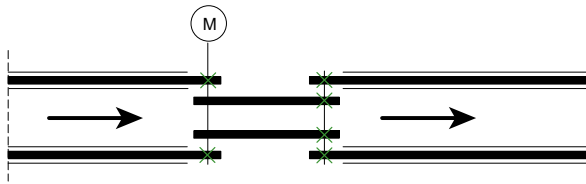
1 1 0 1 3 a

For crate conveyor curve.
Go to product page:

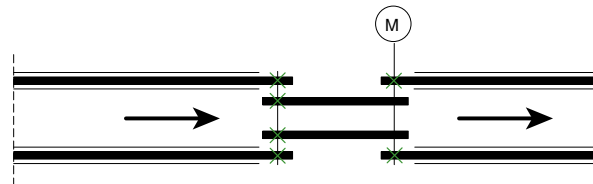
5 0 0 1 0 a



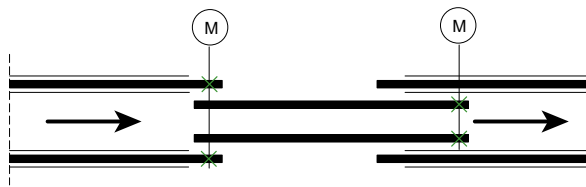
SLAVE DRIVE:



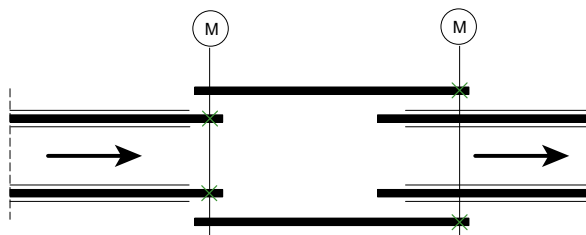
OR:



STAGGERED CONVEYORS:



OR:



Construction recommendations.
Go to:

7 2 1 4 0 a

Return part construction-chains.
Go to:

7 2 1 4 4 a

Wearstrips-chains.
Go to:

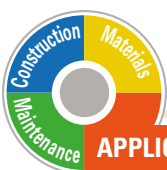
7 2 1 9 5 a

Curve system-chains.
Go to:

7 2 1 3 4 a

Important with crate conveyors is to have the conveyor construction as open as possible to get rid of the dirt and the debris.

NOTICE Keep safety in mind. Use proper guarding to prevent pinch points.



APPLICATIONS - General index **7 2 5 1 0 a** -

◀ back

7 2 5 1 5 a Extra curves

7 2 5 1 5 b Self cleaning curves

7 2 5 2 5 a Crate conveying - Plastic chains and belts

7 2 5 3 6 a Noise reduction

7 2 5 4 0 a Inclined and declined conveyors

Chains & sprockets	Wear strips	Side guide brackets & accessories	Levelers	Engineering manual
Modular belts & sprockets	Chain & belt return systems	Frame & structure supports	Bearing Supports	
Curves & tracks	Side guide solutions	Miscellaneous products	Equipment	

7 2 5 2 5 a

PLASTIC CHAINS AND BELTS

CRATE CONVEYING

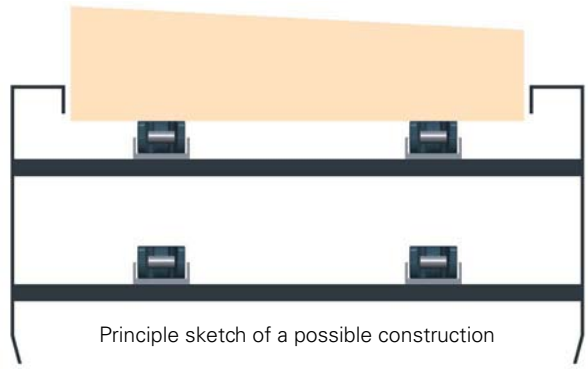
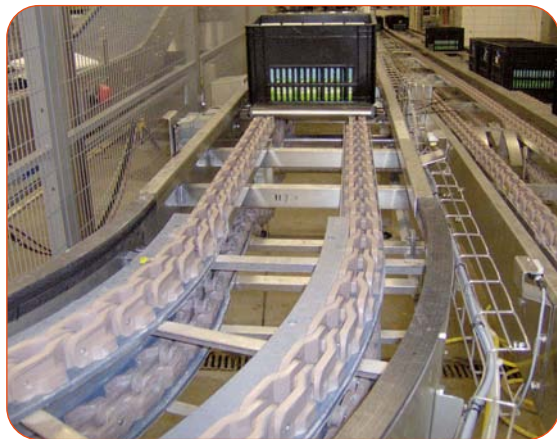


continue ▶

For crate conveyor designed with stainless steel chains, width 7 1/2" and 3 1/4", refer to page **7 2 5 2 0 a**

Commonly there are two (2) ways for conveying crates with plastic chains and belts:

- 1. With two strands of the plastic Crate Conveyor chains NGE600/LFW600 or NGE1400/LFW1400 chains.**
This is the configuration typically used in dry running applications.



Crate conveyor chain index.
Go to product page:
1 1 0 1 3 a

Construction recommendations.
Go to:
7 2 1 4 0 a

Return part construction-chains.
Go to:
7 2 1 4 4 a


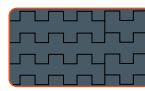



Wearstrips-chains.
Go to:
7 2 1 9 5 a

Curve system-chains.
Go to:
7 2 1 3 4 a

The Crate Conveyor chains tend to be supported and guided in a stainless-steel track.
It is recommended to use UHMWPE wears strips underneath the chain in the stainless-steel tracks.

2. Chains and belts in combination

Other chains and belts can be used in conjunction with crate conveyor chains depending on the application. Some options are shown below:

CONVEYOR LAYOUT	CHAIN SERIES	BELTS SERIES
STRAIGHT	 <p>8257 For this chain go to: 1 1 3 1 0 a</p>	 <p>2251FT or 2251VG For this chain go to: 3 0 4 4 0 a</p>
	 <p>821 For this chain go to: 1 1 3 2 0 a</p>	
CURVE	 <p>882M For this chain go to: 1 1 2 8 0 a</p>	 <p>2251M For this chain go to: 3 0 7 0 0 a</p>



APPLICATIONS - General index **7 2 5 1 0 a** -

continue ▶

- 7 2 5 1 5 a** Extra curves
- 7 2 5 1 5 b** Self cleaning curves
- 7 2 5 2 0 a** Crate conveying - SS chains
- 7 2 5 3 6 a** Noise reduction
- 7 2 5 4 0 a** Inclined and declined conveyors
- 7 2 5 7 5 a** Dry run considerations

Chains & sprockets	Wear strips	Side guide brackets & accessories	Levelers	Engineering manual
Modular belts & sprockets	Chain & belt return systems	Frame & structure supports	Bearing Supports	
Curves & tracks	Side guide solutions	Miscellaneous products	Equipment	

7 2 5 2 6 a

PLASTIC CHAINS AND BELTS

CRATE CONVEYING



Some examples of crate conveyor application with chains and belts:

2.a: A **2251** rubber-top belt on straight section and sideflexing chains **882M** on curve section. Please note the dynamic transfer in between straight and curve conveyor and the straight conveyor with dynamic transfer

◀ back continue ▶



Construction recommendations.
Go to:

7 2 1 4 0 a

Return part construction-chains.
Go to:

7 2 1 4 4 a

Wearstrips-chains.
Go to:

7 2 1 9 5 a

Curve system-chains.
Go to:

7 2 1 3 4 a

2.b: A **8257** flat top chain used for straight crate conveyor and the return part construction



APPLICATIONS - General index **7 2 5 1 0 a** -

◀ back continue ▶

7 2 5 1 5 a Extra curves

7 2 5 1 5 b Self cleaning curves

7 2 5 2 0 a Crate conveying - SS chains

7 2 5 3 6 a Noise reduction

7 2 5 4 0 a Inclined and declined conveyors

7 2 5 7 5 a Dry run considerations



Chains & sprockets	Wear strips	Side guide brackets & accessories	Levelers	Engineering manual
Modular belts & sprockets	Chain & belt return systems	Frame & structure supports	Bearing Supports	
Curves & tracks	Side guide solutions	Miscellaneous products	Equipment	

7 2 5 2 7 a

PLASTIC CHAINS AND BELTS

CRATE CONVEYING

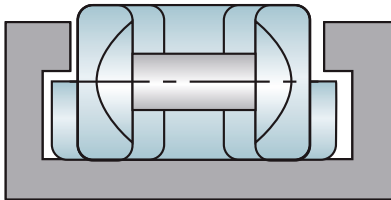


CURVES:

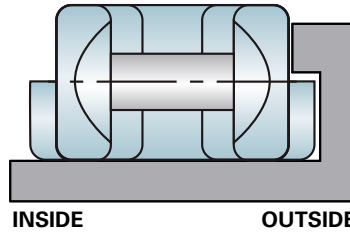
Crate conveyor chains are available with or without TAB. The chains can be guided in the curve in different ways:

◀ back continue ▶

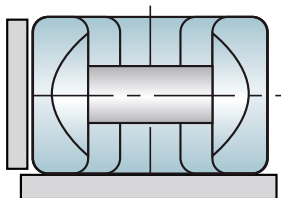
Full curve with TAB's:



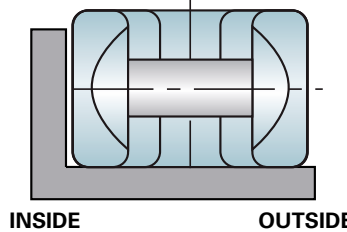
Open curve with TAB's:



Separate guiding strips without TAB's:



Open curve without TAB's:



For crate conveyor.
Go to product page:

1 1 0 1 3 a

Construction recommendations.
Go to:

7 2 1 4 0 a

Return part construction-chains.
Go to:

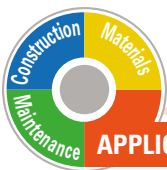
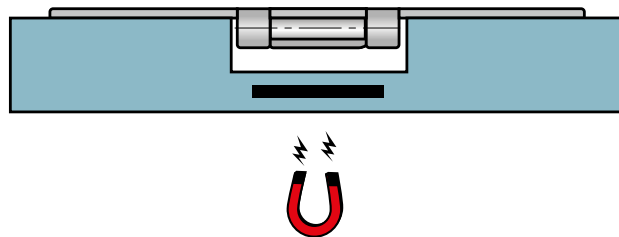
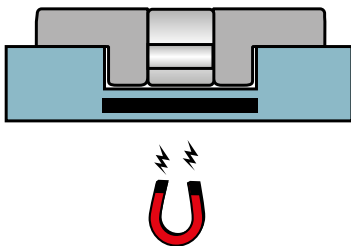
7 2 1 4 4 a

Curve system-chains.
Go to:

7 2 1 3 4 a

The curve construction should enable easy remove of debris. Also an open design is recommended to allow the chain to be lifted from the curve for cleaning purposes.

2251M and **882M** chains are guided by a magnetic curve enabling easy remove of debris.



APPLICATIONS - General index **7 2 5 1 0 a** -

◀ back continue ▶

7 2 5 1 5 a Extra curves

7 2 5 1 5 b Self cleaning curves

7 2 5 2 0 a Crate conveying - SS chains

7 2 5 3 6 a Noise reduction

7 2 5 4 0 a Inclined and declined conveyors

7 2 5 7 5 a Dry run considerations



Chains & sprockets	Wear strips	Side guide brackets & accessories	Levelers	Engineering manual
Modular belts & sprockets	Chain & belt return systems	Frame & structure supports	Bearing Supports	
Curves & tracks	Side guide solutions	Miscellaneous products	Equipment	

7 2 5 2 8 a

PLASTIC CHAINS AND BELTS

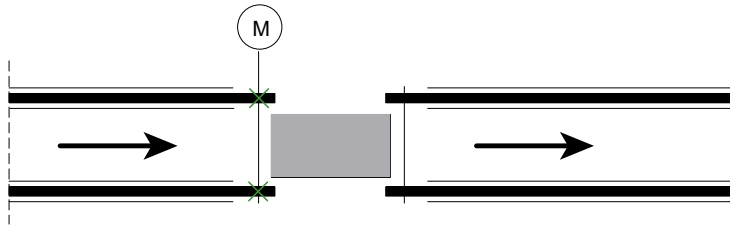
CRATE CONVEYING



◀ back

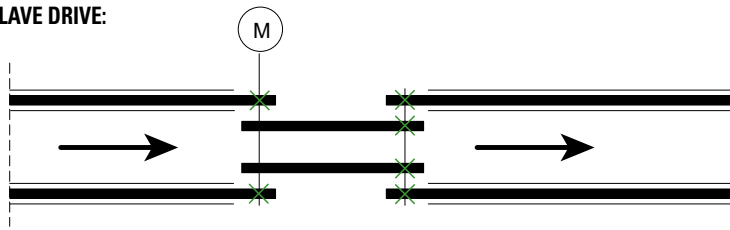
TRANSFERS

Depending on the application a dead plate can be used to make the transfer from one conveyor to the other:

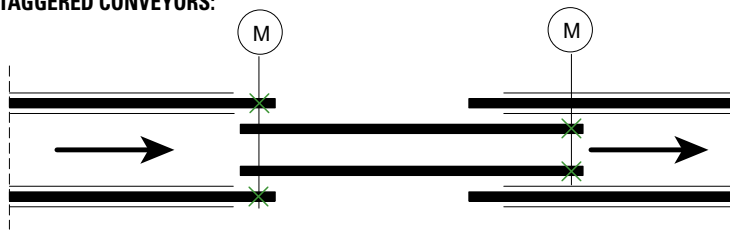


But due to the relatively large pitch of the crate conveyor chains, the transfer of crates goes more smoothly with a dynamic transfer:

SLAVE DRIVE:

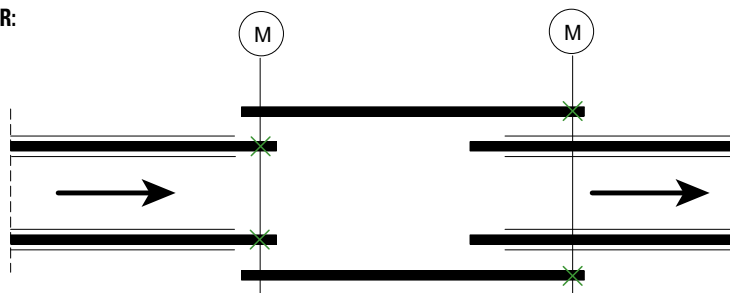


STAGGERED CONVEYORS:



(not suitable for belt)

OR:



Important with crate conveyors is to have the conveyor construction as open as possible to get rid of the dirt and the debris.

NOTICE Keep safety in mind. Use proper guarding to prevent pinch points.



APPLICATIONS - General index 7 2 5 1 0 a -

◀ back

7 2 5 1 5 a Extra curves

7 2 5 1 5 b Self cleaning curves

7 2 5 2 0 a Crate conveying - SS chains

7 2 5 3 6 a Noise reduction

7 2 5 4 0 a Inclined and declined conveyors

7 2 5 7 5 a Dry run considerations



Chains & sprockets	Wear strips	Side guide brackets & accessories	Levelers	Engineering manual
Modular belts & sprockets	Chain & belt return systems	Frame & structure supports	Bearing Supports	
Curves & tracks	Side guide solutions	Miscellaneous products	Equipment	

7 2 5 3 2 a

GRIPPER CHAINS

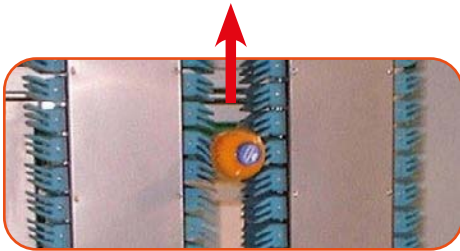
GRIPPER CHAINS & SELECTION OF GRIPPER VERSION

When designing and building conveyors with gripper chains please consider the following:

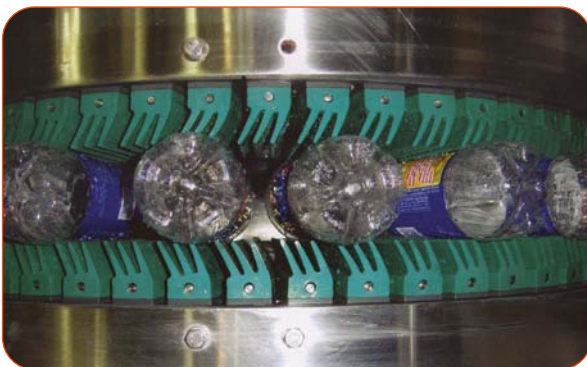
- Chain tracks must be adjusted parallel. The tolerance for the parallel adjustment of the tracks is < 2 mm (0.08 in). Incorrect adjustment can lead to overloading and a high wear of gripper-flights. It will also reduce the life of the bearings, sprockets and flights for the entire system. Ensure the right gripper is selected for your application.
- Gripper ribs must be oriented backwards relative to the running direction of the chain, as shown in the picture below. This will ensure proper gripping force.



continue ►



- The control system of the conveyor must assure that no backline pressure is created to avoid damage at gripper chains.
- The clearance between the chain tracks must be adjustable. Gripping forces must be adjusted according to the product.
General rule: as tight as necessary, as loose as possible.
The product should be removable by hand WITHOUT excessive force.
- A tensioning system is necessary. Tension should just take the play out of the chain. Make sure the chain is not over-tensioned to avoid unnecessary load or premature wear.
- Touching products must be avoided - particularly in curve sections. Speed/timing is critical to ensure products remain properly gapped.
- Lubrication helps to extend the service life of the chains as well as of the chain guides. Make sure only the base roller chain and flight-curve/wearstrips are lubricated with compatible lubricants. The rubber used in the grippers is susceptible to chemical attack from lubricants, so be sure to check with application engineering for chemical compatibility.
- EXTRA style curves with the stainless-steel strip can increase the service life of the curves. Turn discs are also an acceptable alternative in high-speed, high-load applications.
- Gripper chains have the main purpose to elevate or lower a product between two parallel strands. Both chain strands must run at the same speed. Any speed differential causes damage at the chain and possibly to the product. One central drive is recommended.



APPLICATIONS - General index 7 2 5 1 0 a -

continue ►

- 7 2 5 1 5 a** Extra curves
- 7 2 5 1 5 b** Self cleaning curves
- 7 2 5 3 6 a** Noise reduction

- 7 2 5 4 0 a** Inclined and declined conveyors
- 7 2 5 6 4 a** Dry lubrication
- 7 2 5 7 5 a** Dry run considerations

Chains & sprockets	Wear strips	Side guide brackets & accessories	Levelers	Engineering manual
Modular belts & sprockets	Chain & belt return systems	Frame & structure supports	Bearing Supports	
Curves & tracks	Side guide solutions	Miscellaneous products	Equipment	

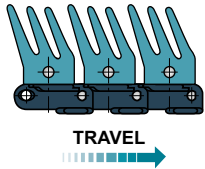
7 2 5 3 3 a

SELECTION OF GRIPPER TYPES
GRIPPER CHAINS & SELECTION OF GRIPPER VERSION



◀ back

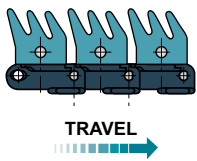
RECOMMENDED PRODUCTS TYPES



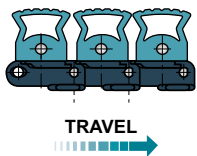
GS1: The longer finger allows a better control of the holding pressure on the product.
Suitable for: Soft containers such as empty PET bottles (also D shape), empty cans, non-pressurized containers.

Gripper chains index.
Go to product page:

1 1 0 1 0 a
1 1 0 1 2 a



GS2: The shorter finger allows a very stable setting of the holding pressure.
Suitable for: Round, solid containers such as glass bottles or pressurized containers, empty crates.



GS4: The shape of the gripper increases the holding surface thus allowing a better distribution of the pressure on the product.
Suitable for: Small containers, empty PET, light weight, fragile, flat surface and large, round container (jugs, boxes).



APPLICATIONS - General index **7 2 5 1 0 a** -

◀ back

7 2 5 1 5 a Extra curves
7 2 5 1 5 b Self cleaning curves
7 2 5 3 6 a Noise reduction

7 2 5 4 0 a Inclined and declined conveyors
7 2 5 6 4 a Dry lubrication
7 2 5 7 5 a Dry run considerations

Chains & sprockets	Wear strips	Side guide brackets & accessories	Levelers	Engineering manual
Modular belts & sprockets	Chain & belt return systems	Frame & structure supports	Bearing Supports	
Curves & tracks	Side guide solutions	Miscellaneous products	Equipment	



continue ►

Depending on the application and the facility, noise can either be a small annoyance or a large nuisance. The severity may require action to be taken to address the source - it may not be a simple solution! There are different noise sources possible on conveyors:

- 1 - Rattling noise generated by running chain/belt
 - a. This may frequently be due to poor return set-ups and too many pitches of chain/belt in the system
- 2 - Squeaking generated by curves: under certain circumstances, the sliding of the chain/belt through a curve can lead to resonance, which causes a squeaking noise. Resolve this by:
 - Cleaning the curve
 - Using curves and wearstrips made of Nolu®-S parts
 - Changing speed/load
 - Using NG®evo conveyor components made from engineered plastic resin chain/belt material
 - Lubricate

Contact our technical support for further assistance.
- 3 - Noise generated by product impact. Especially glass bottles hitting one another generates a lot of noise.

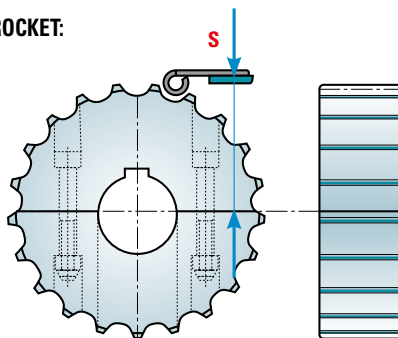
The following are suggestions to help reduce conveyor generated noise:

- Use plastic chains/belts instead of steel chains
- When the application permits, use multiple strands or a wider belt running at a lower speed, rather than single strand or narrow belt running at higher speeds
- Avoid chain/belt obstruction with conveyor parts
- Ensure catenary adjustment is correct
- Reduce speed differentials and thus product impact
- Use chains/belts with a smaller pitch (e.g. 2120/2121 belt series)
- Use sprockets with a greater number of teeth
- Adjust sprockets/idlers according to the proper "S" dimension (Image 1)
- Use chain infeed shoes at drive and idler transition (Image 2)
- Use noise-absorbing rubber-coated return rollers or serpentine system for full chain/belt support (Image 3)
- If using a noseover transition, consider using a silent nose bar instead of the standard version (Image 4)
- Use larger diameter return rollers which reduces rattling noise
- Use NGE chain/belt materials (optimized sliding properties) and Nolu®-S wearstrips, product guides and curves
- Use curves instead of dead plate transfers to reduce product impact noise
- In certain applications, lubrication can help to reduce noise
- Align straights to curves
- Appropriate setting of conveyor controls

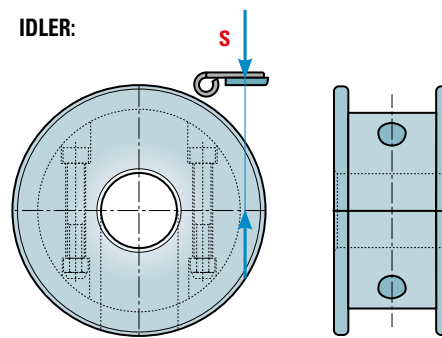
Image 1: S-dimension Adjustment for Sprockets and Idlers.

Machining sprocket go to: **7 2 1 3 0 a**

SPROCKET:



IDLER:



continue ►

7 2 5 1 5 a Extra curves	7 2 5 3 2 a Gripper chains	7 2 5 5 8 a Pressurless combiners chains
7 2 5 2 0 a Crate conveying - SS chains	7 2 5 4 0 a Inclined and declined conveyors	7 2 5 6 0 a Pressurless combiners belts
7 2 5 2 5 a Crate conveying - Plastic chains and belts	7 2 5 4 6 a LBP Accumulation	7 2 5 9 5 a Flowflex™ belts

Chains & sprockets	Wear strips	Side guide brackets & accessories	Levelers	Engineering manual
Modular belts & sprockets	Chain & belt return systems	Frame & structure supports	Bearing Supports	
Curves & tracks	Side guide solutions	Miscellaneous products	Equipment	

7 2 5 3 7 a

NOISE REDUCTION



◀ back

Image 2: Infeed shoes



For wearstrips.
Go to:

5 0 5 1 0 a

Chains infeed shoes.
Go to:

7 2 1 9 7 a

Image 3: Rubberized Return rollers and serpentine



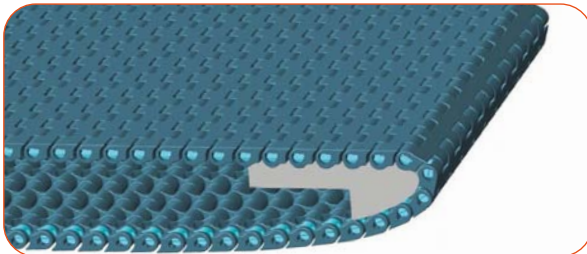
For chains & belts return system. Go to:

5 1 0 1 0 a

Wearstrips serpentine system. Go to:

7 2 1 5 6 a

Image 4: Silent nose bar



For Silent nose bar.
Go to:

3 0 1 7 5 a

Nosebar transfer.
Go to:

7 2 1 8 4 a



APPLICATIONS - General index 7 2 5 1 0 a -

◀ back

7 2 5 1 5 a Extra curves

7 2 5 2 0 a Crate conveying - SS chains

7 2 5 2 5 a Crate conveying - Plastic chains and belts

7 2 5 3 2 a Gripper chains

7 2 5 4 0 a Inclined and declined conveyors

7 2 5 4 6 a LBP Accumulation

7 2 5 5 8 a Pressurless combiners chains

7 2 5 6 0 a Pressurless combiners belts

7 2 5 9 5 a Flowflex™ belts

Chains & sprockets	Wear strips	Side guide brackets & accessories	Levelers	Engineering manual
Modular belts & sprockets	Chain & belt return systems	Frame & structure supports	Bearing Supports	
Curves & tracks	Side guide solutions	Miscellaneous products	Equipment	

7 2 5 4 0 a

INCLINED AND DECLINED CONVEYORS



continue ►

INCLINED AND DECLINED CONVEYORS:

To avoid products sliding down, a flat top chain/belt can only be used below a certain maximum inclination/declination angle. General guidelines on this maximum angle are reported in below table. When the conveyor inclination/declination angle is more than stated value on a table, the use of rubber top chain/belt is required. Be aware that rubber top chain/belt also has a maximum angle. See also below table.

CHAIN TYPE	LUBRICATED		DRY	
	GRADE	PERCENTILE	GRADE	PERCENTILE
Stainless steel	3°	5.2 %	6° (1)	10.5 % (1)
Plastic chains/belt	2.0°	3.5 %	3°	5.2%
Rubber top chains steel/ plastic	12° (2)	21 % (2)	15° (3)	26 % (3)

For metal chains. Go to product page:

1 1 0 1 0 a

For plastic chains. Go to product page:

1 1 0 1 1 a

Construction recommendations. Go to:

7 2 1 4 0 a

Return part construction-chains. Go to:

7 2 1 4 4 a

- (1) Dry run with steel chains is generally not recommendable.
- (2) wet circumstances: wet carry over from lubricated section.
- (3) Dry rubber top

Debris on the chain as well as on the product surface influences the maximum angles negatively as well as the effects of speed, conveyed goods, center of gravity, mass. For example, carton dust can settle in the rubber material and reduce the grip.

DRIVE CONSTRUCTION:

Location of drive in order to run chains safely and without issues.

For a suitable design of incline and decline conveyors, we recommend following below designs features:

Declines:

In case of a declined conveyor, the drive should be located at top or bottom of the conveyor, depending on angle β .

$\tan \beta > \text{COF chain-wearstrip}$

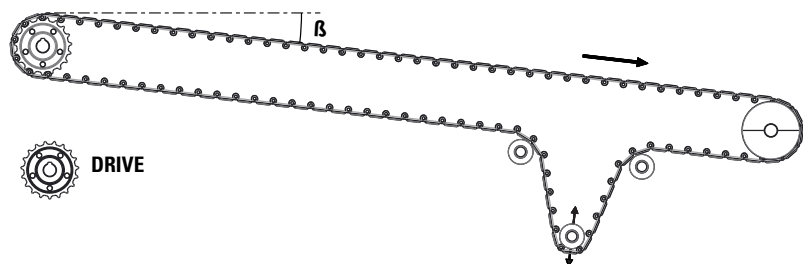
1 - When $\tan \beta > \text{COF chain-wearstrip}$, the drive should be on the top to avoid the chain/belt sliding down faster than the sprocket pulls.

Example: a 9° declined conveyor, $\beta=9^\circ$ with NGE chain and Nolu®-S wearstrips;

$\tan \beta = \tan 9^\circ = 0.158$

COF NGE chain- wearstrip = 0.13

$\tan \beta > \text{COF NG}^\circ\text{evo chain- wearstrip} \rightarrow$ the drive to be located on top.



2 - Depending on the length, speed and load a standard catenary sag may be sufficient or a tensioner may be needed at the lower side of the conveyor.

NOTICE Soft start and stop is always recommended



APPLICATIONS - General index **7 2 5 1 0 a** -

continue ►

7 2 5 1 5 a Extra curves

7 2 5 2 0 a Crate conveying - SS chains

7 2 5 2 2 a Crate conveying - Plastic chains and belts

7 2 5 3 6 a Noise reduction

7 2 5 5 8 a Pressurless combiners chains

7 2 5 6 0 a Pressurless combiners belts

7 2 5 6 4 a Dry lubrication

7 2 5 7 5 a Dry run considerations

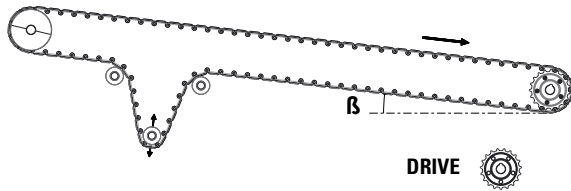
7 2 6 1 5 a 2250 with flight

Chains & sprockets	Wear strips	Side guide brackets & accessories	Levelers	Engineering manual
Modular belts & sprockets	Chain & belt return systems	Frame & structure supports	Bearing Supports	
Curves & tracks	Side guide solutions	Miscellaneous products	Equipment	



7 2 5 4 1 a INCLINED AND DECLINED CONVEYORS

$\tan \beta < \text{COF chain-wearstrip}$



When $\tan \beta < \text{COF chain-wearstrip}$, the drive should be on the bottom.

Example: a 6° declined conveyor, $\beta=6^\circ$ with LF chain and PE wearstrips;

$\tan \beta = \tan 6^\circ = 0.105$

$\text{COF LF chain- wearstrip} = 0.2$

$\tan \beta < \text{COF LF chain- wearstrip} \rightarrow$ the drive to be located on the bottom.

◀ back continue ▶

Construction recommendations.
Go to:

7 2 1 4 0 a

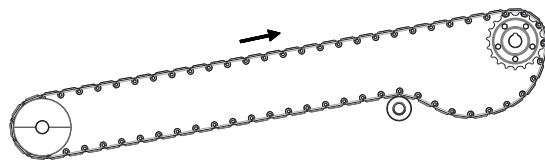
Return part construction-chains.
Go to:

7 2 1 4 4 a

Recommendations about wearstrips, return roller and design construction can be found on CONSTRUCTION DETAILS SECTION. CONSTRUCTIONS DETAIL INDEX **7 2 1 1 0 a**

NOTICE Soft start and stop is always recommended

Inclines:



Drive is normally located at the upper end.

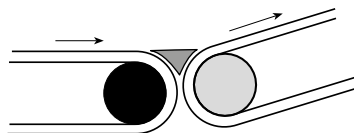
Soft start/stop is recommended.

If the construction is with catenary sag, we recommend locating the catenary sag after the drive shaft.



INTEGRATED TRANSFER IN INCLINED CONVEYOR:

In case of rubber top belts, we recommend using side-indent version to guide belt thru the upwards curve.



SEPARATED TRANSFER E.G. WITH DEAD PLATE IN INCLINED CONVEYOR:

In case of rubber top belts, avoid speed differences before-after the transfer, otherwise premature wear of the rubber top may occur.



APPLICATIONS - General index 7 2 5 1 0 a -

◀ back continue ▶

7 2 5 1 5 a Extra curves

7 2 5 2 0 a Crate conveying - SS chains

7 2 5 2 2 a Crate conveying - Plastic chains and belts

7 2 5 3 6 a Noise reduction

7 2 5 5 8 a Pressurless combiners chains

7 2 5 6 0 a Pressurless combiners belts

7 2 5 6 4 a Dry lubrication

7 2 5 7 5 a Dry run considerations

7 2 6 1 5 a 2250 with flight

Chains & sprockets	Wear strips	Side guide brackets & accessories	Levelers	Engineering manual
Modular belts & sprockets	Chain & belt return systems	Frame & structure supports	Bearing Supports	
Curves & tracks	Side guide solutions	Miscellaneous products	Equipment	

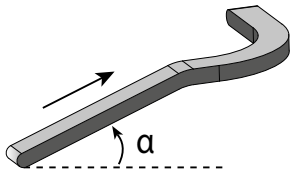
7 2 5 4 2 a INCLINED AND DECLINED CONVEYORS

CURVE CONSTRUCTION:

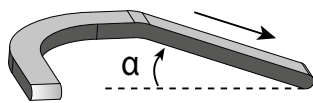
Sideflexing chains for Magnetic System can be used in inclined/declined conveyors only under the following restrictions:



◀ back

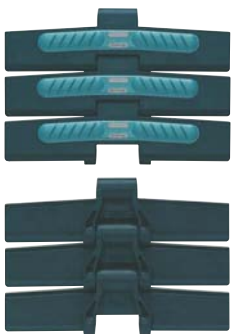


INCLINE IS POSSIBLE BEFORE A CURVE



DECLINE IS POSSIBLE AFTER A CURVE

Otherwise the chain could be lifted out of the curve.
 Keep the curves horizontal.
 Alternatively, a TAB chain can be used for more freedom in the layout.



For sideflexing chains with rubber inserts.
 Go to: **1 1 1 6 0 a**

For belts with rubber inserts. Go to: **3 0 7 3 5 a**

For belts with rubber inserts. Go to: **3 0 7 5 5 a**

Curve systems.
 Go to: **7 2 1 3 4 a**



APPLICATIONS - General index 7 2 5 1 0 a -

◀ back

- | | | |
|---|---|---|
| 7 2 5 1 5 a Extra curves | 7 2 5 3 6 a Noise reduction | 7 2 5 6 4 a Dry lubrication |
| 7 2 5 2 0 a Crate conveying - SS chains | 7 2 5 5 8 a Pressurless combiners chains | 7 2 5 7 5 a Dry run considerations |
| 7 2 5 2 2 a Crate conveying - Plastic chains and belts | 7 2 5 6 0 a Pressurless combiners belts | 7 2 6 1 5 a 2250 with flight |

Chains & sprockets	Wear strips	Side guide brackets & accessories	Levelers	Engineering manual
Modular belts & sprockets	Chain & belt return systems	Frame & structure supports	Bearing Supports	
Curves & tracks	Side guide solutions	Miscellaneous products	Equipment	

7 2 5 4 6 a

LBP ACCUMULATION



Accumulation of products results in increased load on the chain and increased pressure on the product. LBP (Low Back Pressure) chains/belts are recommended to reduce these effects. For the return part construction, flat support or guide shoes are recommended.

LBP chain.
Go to product page:

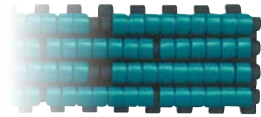
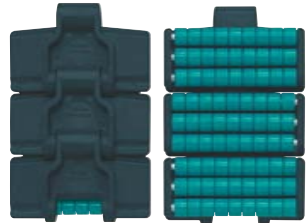
1	1	3	4	0	a
1	1	3	5	0	a
1	1	3	6	0	a
1	1	3	7	0	a

LBP belts.
Go to product page:

3	0	1	1	0	a
3	0	5	0	0	a

Shoe product.
Go to product page:

5	1	1	7	0	a
---	---	---	---	---	---



It's recommended to mount roller side guide together with LBP chains/belts to reduce the pressure on the side guide and ensure the guide does not impart too much resistance on the product.

Guide shoe.
Go to:

7	2	1	5	3	a
---	---	---	---	---	---



Roller products.
Go to product page:

5	2	5	1	0	a
---	---	---	---	---	---



APPLICATIONS - General index **7 2 5 1 0 a** -

7 2 5 1 5 a Extra curves

7 2 5 1 5 b Self cleaning curves

7 2 5 3 6 a Noise reduction

7 2 5 5 2 a Roller side guide

7 2 5 7 5 a Dry run considerations

7 2 5 9 0 a Speedset™ brackets

7 2 6 2 5 a 2253 Roller top version



Chains & sprockets	Wear strips	Side guide brackets & accessories	Levelers	Engineering manual
Modular belts & sprockets	Chain & belt return systems	Frame & structure supports	Bearing Supports	
Curves & tracks	Side guide solutions	Miscellaneous products	Equipment	



7 2 5 5 2 a

ROLLER SIDE GUIDES

Commonly where carton or shrink-wrapped products are conveyed, a roller side guide is recommended to reduce the risk of damaged packaging material.

When an LBP chain or belt is used also the side guide needs to be a roller guide to make sure the friction on the side of the pack is not higher than underneath the pack.

There are different roller guide tracks for both side and center guide:

- Full plastic (side only)
- Aluminum
- Stainless steel

For full details we refer to the product pages of the Smart Guide® catalog.

Two main versions are available:

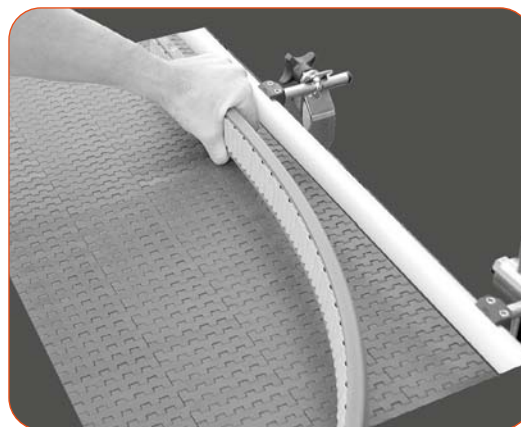
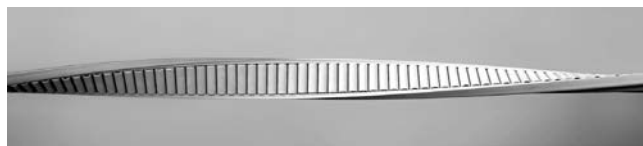
SpeedRail™ aluminum rail with bead rollers. The pearl shape of these rollers is particularly suitable for shrink-wrapped packs.



Roller product.
Go to product page:

5 2 5 1 0 a

A second version that is completely flexible allows a variable radius or a twisted roller guide. In this case, the support rail is a flexible plastic (PVC).



APPLICATIONS - General index 7 2 5 1 0 a -

7 2 5 1 5 a Extra curves

7 2 5 1 5 b Self cleaning curves

7 2 5 3 6 a Noise reduction

7 2 5 4 6 a LBP Accumulation

7 2 5 9 0 a Speedset™ brackets

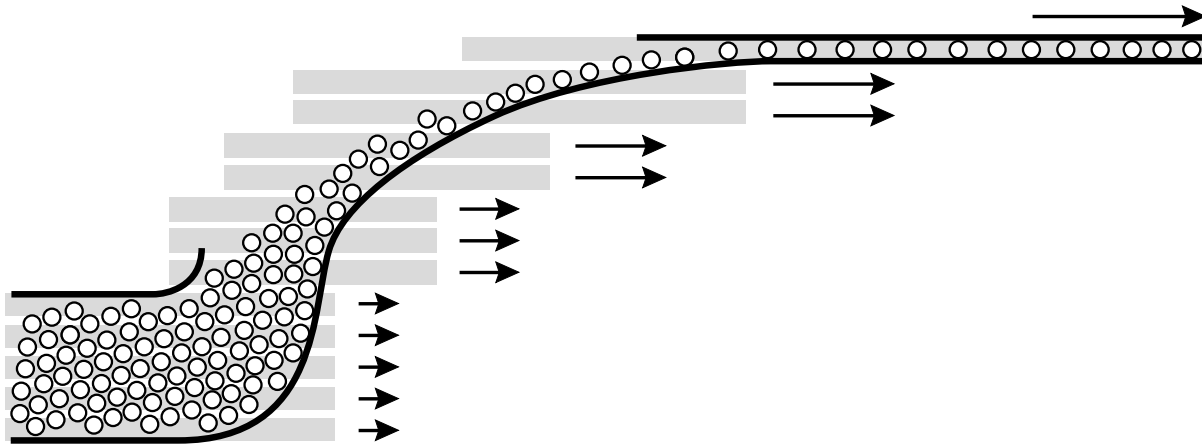
7 2 6 2 5 a 2253 Roller top version

Chains & sprockets	Wear strips	Side guide brackets & accessories	Levelers	Engineering manual
Modular belts & sprockets	Chain & belt return systems	Frame & structure supports	Bearing Supports	
Curves & tracks	Side guide solutions	Miscellaneous products	Equipment	

7 2 5 5 8 a

CHAINS

PRESSURELESS COMBINERS



continue ►

Speed line chain SPSL.

Go to product page:

1 1 0 2 0 a

Plastic chains.

Go to product page:

1 1 2 1 0 a



Wearstrips.

Go to:

7 2 1 9 5 a

SUITABLE CHAINS

Usually pressureless combiners have a track pitch of 85 mm.

TYPE		CHARACTERISTICS	SUITABLE FOR
Stainless steel chains	* K330 ** K325 Speed-Line SPSL	Extremely close tolerances for optimized flatness, improved surface finish and minimization of sharp edges	Glass PET (returnable) Cans
Plastic chains	* K330 ** K325	NG evo Ultra low friction, with Nolu®-S parts suitable for running dry	Glass PET Cans

* K330 - 83,8 mm (3.30 in) width is recommended because the gap between adjacent chains/belts is reduced to the minimum.

** K325 - 82,5 mm (3.25 in) width is necessary for sloped pressureless combiners, because of the necessity to mount separating discs in the return way.



APPLICATIONS - General index **7 2 5 1 0 a** -

continue ►

7 2 5 1 5 a Extra curves

7 2 5 4 0 a Inclined and declined conveyors

7 2 5 6 0 a Pressurless combiners belt

7 2 5 1 5 b Self cleaning curves

7 2 5 9 0 a Speedset™ brackets

7 2 5 3 6 a Noise reduction

7 2 5 6 4 a Dry lubrication

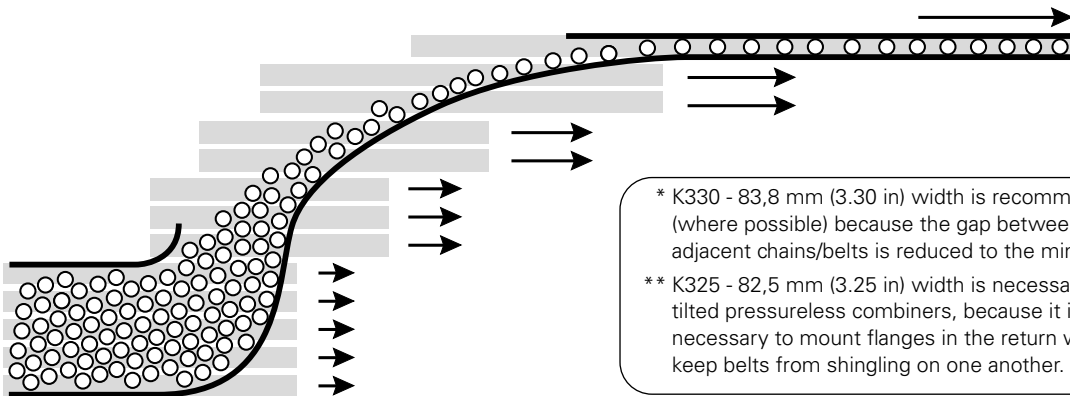


Chains & sprockets	Wear strips	Side guide brackets & accessories	Levelers	Engineering manual
Modular belts & sprockets	Chain & belt return systems	Frame & structure supports	Bearing Supports	
Curves & tracks	Side guide solutions	Miscellaneous products	Equipment	

7 2 5 6 0 a

BELTS

PRESSURELESS COMBINERS



* K330 - 83,8 mm (3.30 in) width is recommended (where possible) because the gap between adjacent chains/belts is reduced to the minimum.
 ** K325 - 82,5 mm (3.25 in) width is necessary for tilted pressureless combiners, because it is necessary to mount flanges in the return way to keep belts from shingling on one another.



◀ back continue ▶

Plastic belt.
Go to product page:

3 0 0 1 0 a

Wearstrips.
Go to:

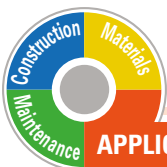
7 2 1 9 5 a

SUITABLE BELTS:

Usually pressureless combiners have a track pitch of 85 mm.

Longer pitch belts with larger pin diameters are typically preferred with pressurless combiners to reduce the belt elongation rate.

TYPE		CHARACTERISTICS	SUITABLE FOR
Belts	STRAIGHT LFG or NGE2250FT-PT-K330 LFG or NGE2250FG-PT-K330	1" Pitch With positioners FT closed surface FG open surface LFG low friction NGE ultra low friction with Nolu®-S parts, suitable for running dry	FT series: Glass, PET and Cans FG series: Cans (wet environment)
	SIDEFLEXING LFG or NGE2250FT-M-K330 LFG or NGE 2260FT-M-K330 LFG or NGE2250FT-TAB-K330 LFG or NGE 2250FG-M-K330	1" Pitch With TAB or Magnetic Retention System FT closed surface FG open surface LFG low friction NGE ultra low friction with Nolu®-S parts, suitable for running dry	FT series: Glass, PET and Cans FG series: Cans (wet environment)
	STRAIGHT NGE2251FT-PT-K330 NGE2252FT-PT-K325	1" Pitch With positioners FT closed surface Heavy duty design NGE ultra low friction with Nolu®-S parts, suitable for running dry	FT series: Returnable Glass, New Glass, PET and Cans
	SIDEFLEXING LFG or NGE2251FT-M-K330 LFG or NGE2251FT-TAB-K330	1" Pitch With positioners FT closed surface Heavy duty design NGE ultra low friction with Nolu®-S parts, suitable for running dry	FT series: Returnable Glass, New Glass, PET and Cans
	STRAIGHT NGE2190FT-PT-K325 NGE2190FG-PT-K325	¾" Pitch With positioners FT closed surface FG open surface NGE ultra low friction with Nolu®-S parts, suitable for running dry	FT series: Glass, PET and Cans FG series: Cans (wet environment)
	STRAIGHT NGE2120FT-PT-K330 NGE2121FT-PT-K325	½" pitch With positioners FT closed surface NGE ultra low friction with Nolu®-S parts, suitable for running dry	FT series: Glass, PET and Cans for unstable products



APPLICATIONS - General index **7 2 5 1 0 a** -

◀ back continue ▶

7 2 5 1 5 a Extra curves

7 2 5 1 5 b Self cleaning curves

7 2 5 3 6 a Noise reduction

7 2 5 4 0 a Inclined and declined conveyors

7 2 5 5 8 a Pressurless combiners chains

7 2 5 6 4 a Dry lubrication

7 2 5 7 5 a Dry run considerations

7 2 5 9 0 a Speed set

7 2 5 9 5 a Flowflex™ belts

Chains & sprockets	Wear strips	Side guide brackets & accessories	Levelers	Engineering manual
Modular belts & sprockets	Chain & belt return systems	Frame & structure supports	Bearing Supports	
Curves & tracks	Side guide solutions	Miscellaneous products	Equipment	

7 2 5 6 1 a

**WEARSTRIPS
PRESSURELESS COMBINERS**



◀ back

Staggered wearstrips (fig. 1) are recommended and most suitable for pressureless combiners. By using the wearstrips pictured below, the product moves freely across the chains, thanks to the slight drop.

During installation, the correct orientation of the profiles must be observed (Fig. 1 and 2).

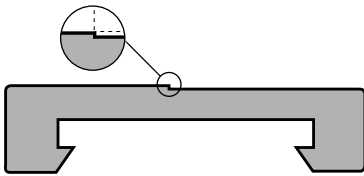


FIG.1

Staggered wearstrips

Go to: **5 0 6 1 0 a**

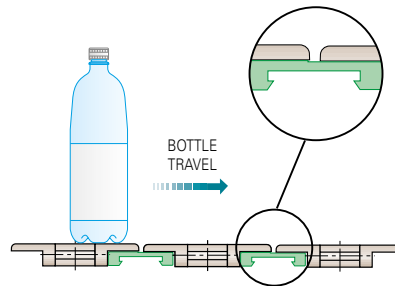


FIG.2

Wearstrips Index

Go to: **5 0 5 1 0 a**

Wearstrips.
Go to product page:

5 0 6 1 0 a

Wearstrips cons. detail.
Go to:

7 2 1 9 5 a



APPLICATIONS - General index **7 2 5 1 0 a** -

◀ back

7 2 5 1 5 a Extra curves

7 2 5 1 5 b Self cleaning curves

7 2 5 3 6 a Noise reduction

7 2 5 4 0 a Inclined and declined conveyors

7 2 5 5 8 a Pressurless combiners chains

7 2 5 6 0 a Pressurless combiners belts

7 2 5 9 0 a Speed set

7 2 5 9 5 a Flowflex™ belts

Chains & sprockets	Wear strips	Side guide brackets & accessories	Levelers	Engineering manual
Modular belts & sprockets	Chain & belt return systems	Frame & structure supports	Bearing Supports	
Curves & tracks	Side guide solutions	Miscellaneous products	Equipment	



continue ►

DRY LUBRICATION:

There are several developments concerning lubrication.

The trend is to go away from wet lubrication to either semi-wet lubrication, dry lubrication, or completely dry (no lube at all).

In some industries and situations wet lubrication is still the best and easiest lubrication system.

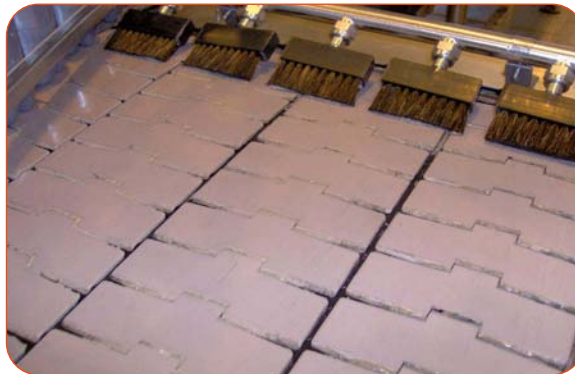
In a growing number of cases semi-wet lubrication or dry lubrication can be used. System Plast® products incorporate designs and materials that can handle applications completely without lubrication. Our **NG®Evo conveyor components made from engineered plastic resin** for chain/belt and Nolu®-S wearstrips are commonly used in dry run applications.

Semi-wet lubrication is a fluid, but it should not be mixed with water before applying. This system tends to be used more on stainless steel chains than plastic.

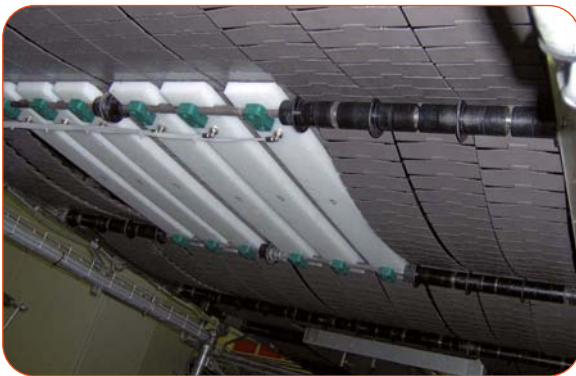
Dry lubrication is most often a mineral oil with a built-in lubricant like Teflon®* or silicon. The amount of dry lubricant that is applied is typically very minimal. It forms a thin layer on the chain/belt to get the required sliding properties. Advantages are: a small amount of lubricant required; no water; no waste water; simple installation; no drip trays, etc. Dry lubricant is presently used mainly with cartons, bricks, PET bottles and cans at normal line capacities.

There are several using different products and applying it in different methods. Several are shown below:

BRUSHES



SHOES



* Teflon is believed to be the trademark and/or trade name of The Chemours Company FC, LLC and is not owned or controlled by Regal Beloit Corporation.



continue ►

7 2 5 3 2 a Gripper chains

7 2 5 6 0 a Pressurless combiners belts

7 2 5 4 0 a Inclined and declined conveyors

7 2 5 7 5 a Dry run considerations

7 2 5 5 8 a Pressurless combiners chains

7 2 5 9 5 a Flowflex™ belts

Chains & sprockets	Wear strips	Side guide brackets & accessories	Levelers	Engineering manual
Modular belts & sprockets	Chain & belt return systems	Frame & structure supports	Bearing Supports	
Curves & tracks	Side guide solutions	Miscellaneous products	Equipment	

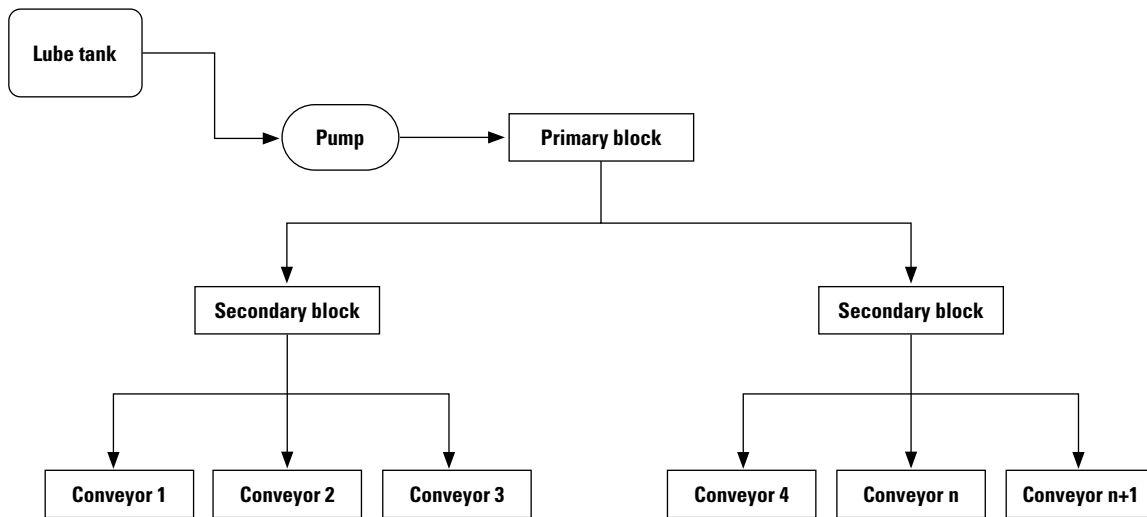


◀ back continue ▶

NOZZLES:



Although the different suppliers suggest different ways of bringing the lubricant to the chains/belts, the basic principle is the same as the flow diagram below:



The real challenge with dry lube is how to evenly apply about a small amount of lubricant (around 5 ml/hr) on the chain/ belt.

Dry lubrication can bring advantages like:

- Reduction of cost for waste water
- Reduction of cost for dosing hardware - no drip trays necessary
- Safety: when properly dosed, there are no slippery floors due to foam from wet lubrication
- Hygiene: less or no water; no slime build-up when dosed properly
- No corrosive attack on equipment
- No false rejects due to foam on bottles at inspection points
- No water/foam on labels
- No moisture on packaging material



◀ back continue ▶

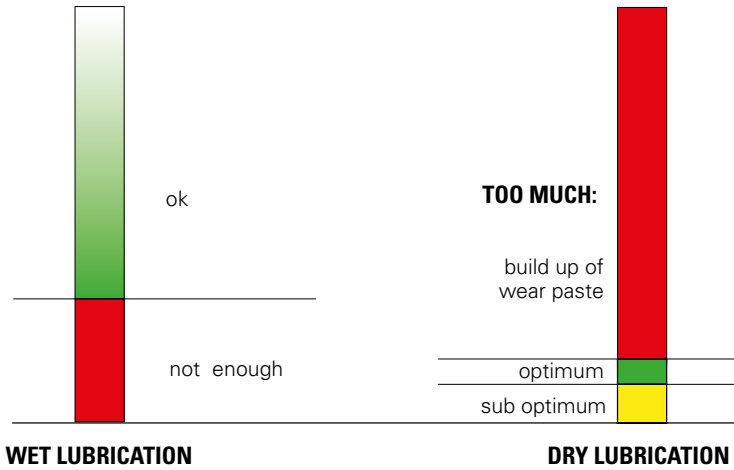
Chains & sprockets	Wear strips	Side guide brackets & accessories	Levelers	Engineering manual
Modular belts & sprockets	Chain & belt return systems	Frame & structure supports	Bearing Supports	
Curves & tracks	Side guide solutions	Miscellaneous products	Equipment	

It is important to use it correctly. Dry lubrication requires a different mind-set compared to wet lubrication:

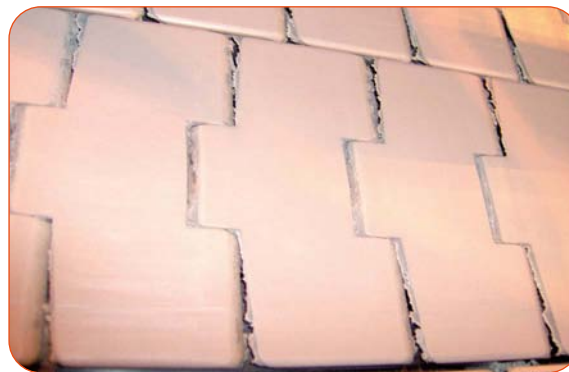
- Wet lubrication requires a minimum
- Dry lubrication requires a maximum (smallest possible; when you see it, it's already too much)



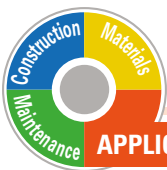
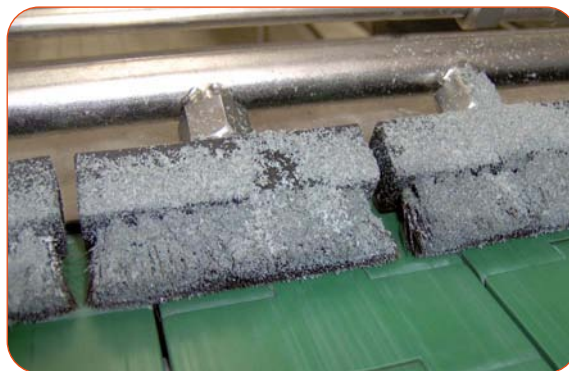
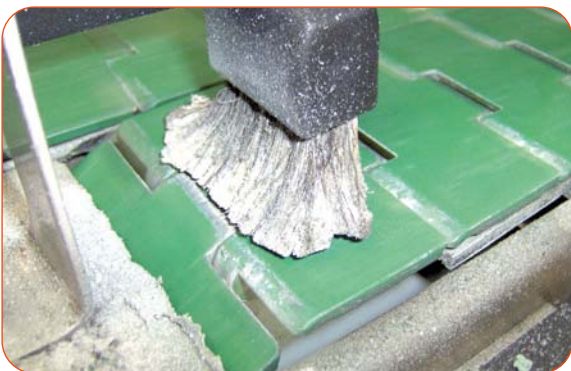
◀ back continue ▶



If the dry lubrication is not optimized, after some time the chain may have build-up of wear paste like this:



That's why it's very important to take a couple of things into consideration:
Dry lubrication requires maintenance to avoid built-up of debris, regardless whether it's a system with brushes.



- | | |
|--|--|
| 7 2 5 3 2 a Gripper chains | 7 2 5 6 0 a Pressurless combiners belts |
| 7 2 5 4 0 a Inclined and declined conveyors | 7 2 5 7 5 a Dry run considerations |
| 7 2 5 5 8 a Pressurless combiners chains | 7 2 5 9 5 a Flowflex™ belts |

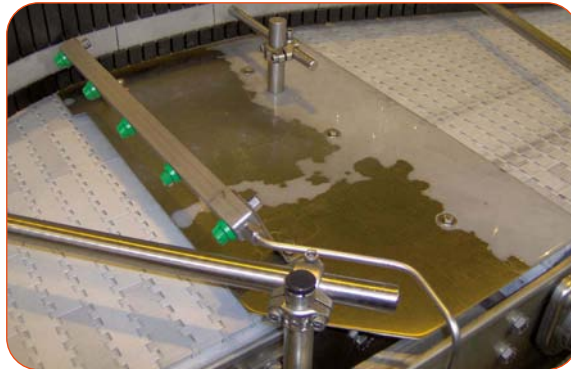
Chains & sprockets	Wear strips	Side guide brackets & accessories	Levelers	Engineering manual
Modular belts & sprockets	Chain & belt return systems	Frame & structure supports	Bearing Supports	
Curves & tracks	Side guide solutions	Miscellaneous products	Equipment	



DRY LUBRICATION WITH SHOES



DRY LUBRICATION WITH NOZZLES



The responsibilities for maintenance and the lubrication must be clear and preferably with the same person that's technically responsible for the line. Proper cleaning methods must be followed to ensure the wear paste doesn't build up and develop into a new issue altogether.

Dry lubrication has a high potential, but to get the full benefit it's good to take also following effects into consideration:

	CLEANING	PRODUCT QUALITY	PROCESS	MECHANICAL	FACTOR H
Dry running	<p>MORE DEDICATED ↑ END USER</p>	<p>HIGHER INFLUENCE ↑ END USER / OEM</p>	<p>ENGINEERING MIND SET ↑ END USER / OEM</p>	<p>DETAILS ARE IMPORTANT ↑ OEM</p>	<p>HUMAN FACTOR ↑ END - USER</p>
Dry lubrication					
Semi wet lubrication					
Wet lubrication					



Chains & sprockets	Wear strips	Side guide brackets & accessories	Levelers	Engineering manual
Modular belts & sprockets	Chain & belt return systems	Frame & structure supports	Bearing Supports	
Curves & tracks	Side guide solutions	Miscellaneous products	Equipment	



7 2 5 6 8 a

DRY LUBRICATION

◀ back continue ▶

CLEANING:

The cleaning regime needs to be re-evaluated when going away from wet lubrication because:

- Wet lubricant has also cleaning/rinsing effect
- More dedicated cleaning is required where product loss occurs

PRODUCT QUALITY:

The type and quality of the material has an influence on the behavior of the conveyors, such as:

QUALITY OF PET	QUALITY OF CANS	QUALITY OF GLASS
Raw Material	Steel/aluminium	Raw material; origin
Colorants	Painted or varnished	New or returnable
Blockers	Design	Design
Other additives	Material thickness	Surface finish of bottle
Design/ settings of machine		

PROCESS:

When designing a layout please bear in mind the line is going to run without wet lubrication. Consider:

- Wider conveyors → slower speed
- Longer inliners/outliners (i.e. combiners/decombiners) to allow product to nest properly
- Shorter buffer sections → Backline Pressure
- Optimized line controls
- Larger radius curves
- Short straight section before curve instead of long straight section
- In case of high speed and load, split 180° curve in two drives with one 90° curve per drive
- Locating curves at the beginning of a conveyor line where there is less chain tension
- Accessible conveyor frames for easier wash-down between product runs
- Low coefficient of friction chain/belt and wearstrip materials

MECHANICAL:

Some small mechanical issues on conveyors that seem harmless must be addressed when going away from wet lubrication. Make sure that the chains/belts are running freely without obstructions. Some points of attention:

- Nolu®-S wearstrips and curves with built-in lubricant can replace wet lubrication in some cases
- Perfect alignment of different sections
- Smooth wearstrips transfers
- Stable and straight guides rails at correct orientation
- Positioning of sprockets and idlers with correct shaft drop and location within sprocket pockets
- Smooth transfer from straight to curve sections



APPLICATIONS - General index 7 2 5 1 0 a -

◀ back continue ▶

7 2 5 3 2 a Gripper chains

7 2 5 6 0 a Pressurless combiners belts

7 2 5 4 0 a Inclined and declined conveyors

7 2 5 7 5 a Dry run considerations

7 2 5 5 8 a Pressurless combiners chains

7 2 5 9 5 a Flowflex™ belts

Chains & sprockets	Wear strips	Side guide brackets & accessories	Levelers	Engineering manual
Modular belts & sprockets	Chain & belt return systems	Frame & structure supports	Bearing Supports	
Curves & tracks	Side guide solutions	Miscellaneous products	Equipment	



◀ back

FACTOR H:

The most important factor is the Human Factor: the people that are dealing with the line.

- How do maintenance and operators deal with the line?
- Who's responsible for maintaining/cleaning the line?
- How are the contracts made?
- 'Mind set' change when reducing lubrication!
- Never mix products! → e.g. Teflon®* spray in combination with dry lubricant creates a high-friction paste
- Are they well trained on how to run with dry lubricant?

SO, IS DRY LUBRICANT A GOOD IDEA?

- Yes, in many cases it brings desirable advantages
- Be aware of the limitations and requirements to get the full benefit!

COMPLETELY DRY MAY BE BETTER?

In certain areas of the bottling line and certain products - Absolutely!

- Depalletizer + outfeed conveyors
- Labeling, coding and packaging areas
- Cans and PET and even glass
- Beware of abrasives & chemicals

System Plast continues to develop products and materials that can run completely dry in certain applications, such as:

- Nolu®-S parts (wearstrip / curve / side guide)
- NG®Evo conveyor components made from engineered plastic resin
- 828 chain design
- Maintenance free bearings and TPM/SMED products that require less attention.

In any case, since every situation is different, please contact our technical support to discuss.

* Teflon is believed to be the trademark and/or trade name of The Chemours Company FC, LLC and is not owned or controlled by Regal Beloit Corporation.



◀ back

- | | |
|--|--|
| 7 2 5 3 2 a Gripper chains | 7 2 5 6 0 a Pressurless combiners belts |
| 7 2 5 4 0 a Inclined and declined conveyors | 7 2 5 7 5 a Dry run considerations |
| 7 2 5 5 8 a Pressurless combiners chains | 7 2 5 9 5 a Flowflex™ belts |

Chains & sprockets	Wear strips	Side guide brackets & accessories	Levelers	Engineering manual
Modular belts & sprockets	Chain & belt return systems	Frame & structure supports	Bearing Supports	
Curves & tracks	Side guide solutions	Miscellaneous products	Equipment	



continue ►

7 2 5 7 5 a

DRY RUN CONSIDERATIONS

DRY RUN CONSIDERATIONS

With the continuous demand of fresh water due to world population increasing, bottling companies need to be sustainable and reduce the water consumption and the amount of waste water.

Besides the industry challenge is also to reduce the energy consumption and downtime while enabling greater efficiency. Other important aspects are Safety, Hygiene and the Total Cost of Ownership (TCO).

Fortunately, with new materials designs and the experience gained in the field, System Plast's team can provide full support to OEM and End-user to achieve this challenge through RUN DRY.

With run dry specially developed materials and smart design chains, belts and components are used. Using these New Generation technologies, bottling companies can eliminate the problems associated to water and lube consumption including safety, corrosion, and excessive rejects and reduce power consumption. At the same time, costs are reduced and sustainability is improved by cutting water usage and water reclamation costs and energy consumption.

When switching a line from water/soap lube or dry lube, some considerations must be done according to the type of line and to end-user requests.

Based on many years of experience We has defined following **5 steps** in the process to switch to a line running without any lubrication:

- Step 1. Awareness.
- Step 2. Cost advantage
- Step 3. Engineering
- Step 4. Proposal
- Step 5. Implementation

There is consensus about the benefits of a run dry operation:

- Save costs on water consumption and use of lubricants.
- Improves safety: no slippery floors.
- Higher hygiene standards: less bacteria growth in a dry environment.
- Less/no drip trays needed.
- Easier access for maintenance
- Less corrosion attack on equipment.
- No false rejects due to foam on products at inspectors.
- No water / foam on labels.
- No moisture on packaging material
- Less energy consumption

STEP 1. AWARENESS:

First and foremost, it's important to create awareness. Are the implications of dry running understood and is the will there to do the necessary to make it work well? That means not only at management level, but also and even more so, at operator/ maintenance engineer level.

It's important to understand that:

- It is more than just switching off the lubrication.
- It is more than just changing the chain or belt.
- It requires a new balance for different aspects of the operation.
- It requires a different mind-set at all levels to make it work.
- And practice has shown that it can work!

When running the line without lubrication a new balance in cleaning needs to be found and maintained. The parts of the line that are really dry, generally require less attention and cleaning. The sections that are (semi) wet require more attention and cleaning (for instance exit of pasteurizer or filler).



APPLICATIONS - General index 7 2 5 1 0 a -

continue ►

7 2 5 3 2 a Gripper chains

7 2 5 4 6 a LBP Accumulation

7 2 5 7 5 a Dry run considerations

7 2 5 4 0 a Inclined and declined conveyors

7 2 5 6 0 a Pressurless combiners belt

7 2 6 2 5 a 2253 Roller top version

7 2 5 2 5 a Crate conveying - Plastic chains

7 2 5 6 4 a Dry lubrication

Chains & sprockets	Wear strips	Side guide brackets & accessories	Levelers	Engineering manual
Modular belts & sprockets	Chain & belt return systems	Frame & structure supports	Bearing Supports	
Curves & tracks	Side guide solutions	Miscellaneous products	Equipment	



There are 5 steps in the process. There also 5 key factors that have been defined which will be explained in more detail below:

1.1 CLEANING:

Every line requires its own cleaning regime. Every situation is different with respect to product to be bottled, quality of containers, type of line, local circumstances, etc. Of course there are some general rules, but it's very important that a balance is found and maintained in cleaning the line. It is important not to drag the product spillage around the line but to try to keep the product spillage as close as possible to the filler. Generally, there's enough equipment and attention for cleaning around the filler. Further down the line it's more difficult and there tends to be less attention to cleaning.

From experience, we know that running dry has a good influence on cleanliness; less cleaning effort needed but smarter, more focused. Especially the bacteriological situation improves significantly. "Bacteria can swim, but can't crawl". There will be less slime build up and less issues with for example minerals from rinsing/cleaning water.

Therefore, we strongly recommend having a proper shower at the filler discharge, especially when running sugar containing products.

We suggest putting a blower after the shower to remove the excess water (including dissolved product/sugar/etc.) in order to get the line fairly quickly as dry as possible which is the preferred situation: the dryer, the better. As a general rule, the first 3-4 conveyors after the filler/seamer (including the outliner) are connected to the CIP system of the filler/seamer. In that way, they are automatically cleaned every time the filler/seamer is cleaned.

When cleaning the line it's -as always- important to follow the recommendations from the cleaning agent supplier and to make sure that the cleaning agent is rinsed off completely, also in between carry and return. The used water should be soft to avoid a buildup of minerals when the water has evaporated. In some cases the product to be bottled or canned has a high mineral content. Residues contain calcium and other minerals that can be very abrasive and cause increased wear of components. The more reason to have a proper shower and blower right after the filler/seamer exit to avoid carrying the minerals around the line.

In case of cans, and especially with beer, there tends to be quite a bit of carry thru from the seamer. The shower after the seamer is therefore more or less standard. Automatically the first couple of conveyors will therefore be wet with water. Also in this situation, ideally, the excess water is blown off shortly after the rinser.

In situations where the product is being bottled or canned at lower temperature there will be condensation water on the bottles causing the sections after the filler to be unavoidably wet. This is what we call process water and is not a problem. Also after a bottle washer and pasteurizer/warmer, the first sections will be unavoidably wet.

With glass bottles, normally speaking a flat top belt is used, but it can be considered to use a flush grid belt between filler and pasteurizer if that help cleaning also the inside of the conveyor frames. Of course the CIP system needs to match with this concept of an open belt.

The pasteurizer is expected to have a blower at the outfeed. If not we recommend to install one there to carry thru as little as possible water also at this position in the line.

Smart cleaning instead of more cleaning, that is the basic approach. Do cleaning where and when necessary like when bottles or cans appear to leak or when glass bottles break.

1.2 PRODUCT QUALITY:

The quality (properties) of the material of the containers influences the behavior on the conveyors. These influences always need to be taken into consideration, also when creating a dry running line. Where a poor mobility of f.e. low quality PET bottles was 'compensated' with soap, it now may show different behavior without the soap.

- Quality of PET
 - Quality of raw material
 - Colorants
 - Blockers
 - Other additives
 - Design/ settings of blow molding machine
- Quality of Glass
 - Raw material; origin
 - New or returnable
 - Design
 - Surface of bottle
 - Coating or not
- Quality of Cans
 - Steel / aluminum
 - Type and quality of varnish
 - Design
 - Material thickness

Points of attention are the behavior on inliners/outliners. Especially returnable glass bottles (pool system) may have a poor mobility (glass against glass) and thus require more time to get in line.

There's a large difference between one PET bottle quality and the other. Many factors influence the mobility of these bottles and the current fancy designs can make them quite instable.



Chains & sprockets	Wear strips	Side guide brackets & accessories	Levelers	Engineering manual
Modular belts & sprockets	Chain & belt return systems	Frame & structure supports	Bearing Supports	
Curves & tracks	Side guide solutions	Miscellaneous products	Equipment	

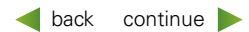


1.3 PROCESS:

The process is basically about the layout of the line and how it is set up.

When designing a new line for running dry, it's good to think about these items as well:

- Wider conveyors → slower speed
- Keeping the curve close to the idler wheel
- Maximum 90° curve per drive in high speed single line
- Infeed/outfeed of machines rather straight than sideflexing
- Somewhat longer inliners/outliners if required
- Blowers/dryers only over straight running conveyors (no minerals build up in curves)
- Shorter buffer length per drive → less back line pressure
- Optimized line controls
- Curve instead of square transfer with instable bottles
- Side guides with lower friction and easier to adjust



When it's a retrofit, of course the layout is fixed. In this case we tend to look at transfers, side guides, etc. to optimize where possible to reach the highest efficiency.

An important part of the process is also the correct material choice. In fully lubricated situations the material choice is less determining for a proper running of the line. Under dry circumstances it's one of the most important choices to make. Running dry asks for low friction material and a high wear resistance. Besides, chemical resistance helps to make cleaning easier. System Plast proprietary NGE material offers these advantages in these conditions and also produces hardly any dust (avoid issues with inspectors).

In combination with saving water it is important to save energy. Nolu®-S wearstrips offer that advantage. We have measured 10,8% less amperage on this combination compared to NGE on standard green wear strip. When installing new belt/chain we recommend to also install new wearstrips anyhow.

In dry circumstances, it is very important to reduce friction in curves. This has to do with power consumption and wear life. Also in these positions Nolu-S(R) wearstrips has a proven record to be the optimum solution.

Optimization of the controls is always important to balance the flow of bottles, to reduce the accumulation pressure and to reduce the time the belts are running under full accumulation (service life elongation). When the controls are set correctly there will be less pressure on the bottles, less pressure on the side guides, easier transfers, etc. Experience has shown that a proper programming philosophy, is key to a smooth and efficient running line.

A proper position and good condition of side guides is needed to maintain a smooth flow, especially at more critical positions like transfers and pressureless combiner (inliners/Outliners). Here a Nolu-S side guide will reduce friction against the bottle/can and help a smooth conveying. As an additional advantage, it has a proven record to avoid marks on delicate cans.

Return rollers are ideally rubber coated to have enough grip on the belt. They will keep rotating better and longer to make sure the top surface stays in good condition.

Every project can be assessed individually, but we generally advise to use a belt rather than a chain because it offers optimum product support and is a more rigid solution which is an advantage in potentially tougher environments.

In the case of aluminum cans, the presence of aluminum oxide coming of the cans (especially when the chemical balance in the pasteurizer is not optimum) asks for the use a belt with an open structure so the abrasive aluminum oxide can evacuate directly or at least during cleaning.

In case of glass, it's important to create escapes in the side guide to avoid big chunks of glass getting stuck under the side guide. Also at the drive end it's important to create an open end so pieces of glass can escape.

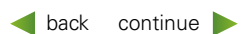
1.4 MECHANICAL:

Already under wet circumstances, but certainly under dry circumstances it's good to make sure the conveyors are mechanically in order. Often you find a chain running against a part of the conveyor like for example a cable tray or a protruding bolt/nut.

- Perfect alignment of conveyor sections.
- Smooth transfers wearstrips.
- Stable and straight side guides at right position and angle.
- Proper positioning sprockets and idlers.
- Smooth transfer straight into curve.



A special attention should be paid to the quality of the installation: there is no more lubrication to cover up small misalignments which can lead to bottles tip.



Chains & sprockets	Wear strips	Side guide brackets & accessories	Levelers	Engineering manual
Modular belts & sprockets	Chain & belt return systems	Frame & structure supports	Bearing Supports	
Curves & tracks	Side guide solutions	Miscellaneous products	Equipment	



7 2 5 7 8 a

DRY RUN CONSIDERATIONS

1.5 FACTOR H:

Very important and decisive is the human factor. Awareness needs to be created at both management as well as operators: they should be aware of the do's and don'ts, the benefits of run dry and receive a dedicated training that Regal can provide.

It is important to start looking at the conveyors with a 'different eye'. When the operators and maintenance people see or hear something on the line, they should focus on resolving the root cause and not even consider adding any lubrication.

Ideally someone makes a daily short round around the line to watch and listen if everything is still running fine. When you build up such a rhythm, you will see deviations quicker and you're able to resolve them quicker.

STEP 2. COST ADVANTAGE:

Converting the pro's and con's into money. Calculate the real savings.

Things like hygiene and safety may be hard to translate into real money, but the savings on water and soap are generally quite significant.

Often the Return Of Investment (ROI) of switching from wet lubrication to completely dry is 1 year or less depending on the situation. If the ROI calculation is made for a new line, the marginal extra cost for the premium solution with NGE and Nolu®-S wearstrips is many times compensated by the fact that you don't need dosing hardware and drip trays. When an existing chain is still in good shape and has several years of service life left, you need to take this into consideration so the ROI can be a bit longer, for instance 1,5-2 years.

STEP 3. ENGINEERING:

During this step, a technical feasibility study is done. Checking the handling of the products in detail. Checking loads and speeds of chains/belt. Checking PV limits, transfers, wet / semi wet / dry sections, etc. Specific situations like twisters, in/outfeed of machines, conveyor length, etc are analyzed and a solution proposed if necessary.

In some cases, it may be necessary to do an on-site audit to fully understand the situation and to be able to give the correct recommendations.

It's important to discuss details of a project between OEM, EU and System Plast in an early stage of the project so all 3 parties are on the same line and discussions 'half way' are avoided.

STEP 4. PROPOSAL:

Following the engineering phase all results and if needed special solutions are put together in a detailed proposal.

STEP 5. EXECUTION:

Execution means training of people on and around the line, monitoring the project during installation and commissioning and follow up afterwards to make sure the initial principles are preserved, the efficiencies reached and the savings made.

SO BEFORE YOU START, CONTACT SYSTEM PLAST. WE'LL KEEP YOU 'FLOATING'...



APPLICATIONS - General index 7 2 5 1 0 a -



7 2 5 3 2 a Gripper chains

7 2 5 4 6 a LBP Accumulation

7 2 5 9 5 a Flowflex™ belts

7 2 5 4 0 a Inclined and declined conveyors

7 2 5 6 0 a Pressurless combiners belt

7 2 6 2 5 a 2253 Roller top version

7 2 5 2 5 a Crate conveying - Plastic chains

7 2 5 6 4 a Dry lubrication

Chains & sprockets	Wear strips	Side guide brackets & accessories	Levelers	Engineering manual
Modular belts & sprockets	Chain & belt return systems	Frame & structure supports	Bearing Supports	
Curves & tracks	Side guide solutions	Miscellaneous products	Equipment	

7 2 5 9 0 a

SPEEDSET™ BRACKETS



continue ►

SPEEDSET™ BRACKETS:

The SpeedSet™ bracket is a spring loaded bracket system that can be easily adjusted to accommodate line size changes very quickly. Some of its benefits are:

- Easy and accurate setting of different positions of the side guides
- Helps to avoid product damage
- Increases the line efficiency by reducing changeover times
- No tools required for adjustment



For speedset™. Go to product page:

5 3 5 9 5 a

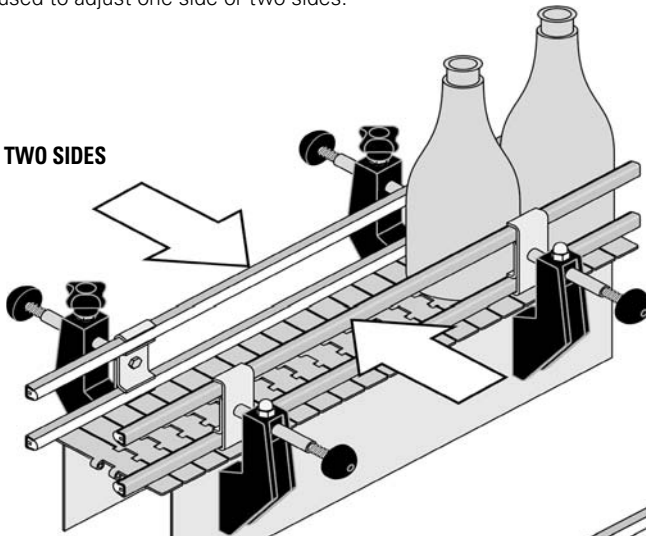
Speedset brackets construction detail. Go to:

7 2 3 6 0 a

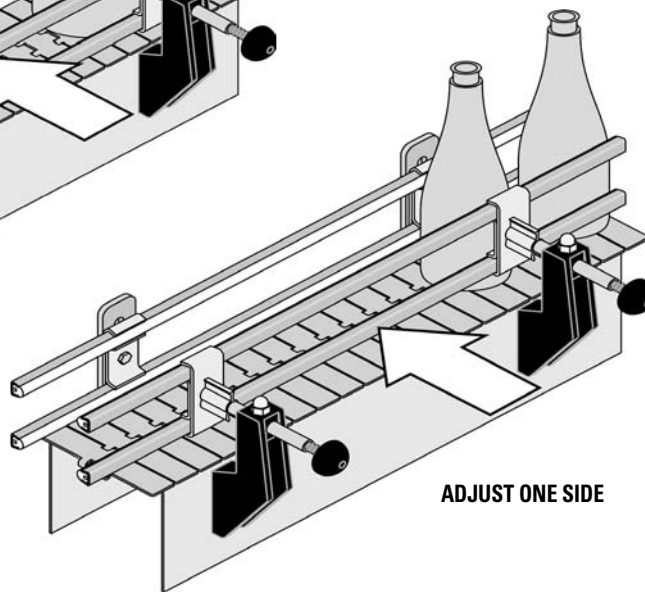
THE SYSTEM:

Can be used to adjust one side or two sides.

ADJUST TWO SIDES



ADJUST ONE SIDE



APPLICATIONS - General index 7 2 5 1 0 a -

continue ►

7 2 5 4 6 a LBP Accumulation

7 2 5 6 0 a Pressurless combiners belt

7 2 6 2 5 a 2253 Roller top version

7 2 5 5 2 a Roller side guide

7 2 5 9 5 a Flowflex™ belts

7 2 5 5 8 a Pressurless combiners chain

Chains & sprockets	Wear strips	Side guide brackets & accessories	Levelers	Engineering manual
Modular belts & sprockets	Chain & belt return systems	Frame & structure supports	Bearing Supports	
Curves & tracks	Side guide solutions	Miscellaneous products	Equipment	

7 2 5 9 1 a

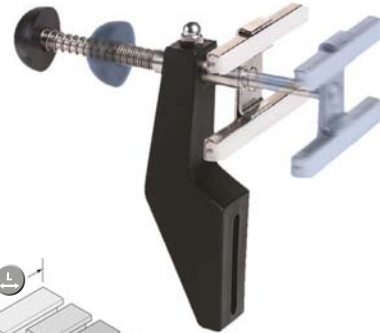
SPEEDSET™ BRACKETS



◀ back

For speedset™. Go to product page:

5 3 5 9 5 a



FAST, ACCURATE CHANGES!

SpeedSet™ bracket solves conveyor line change problems...quickly. The benefit of SpeedSet bracket is preset conveyor guide rail adjustability that is fast and accurate without the need for tools. SpeedSet bracket is fast because a simple push on the end knob moves the rod, clamp, and guide rail. Within seconds, each rail holding point can be adjusted, saving valuable time on line changes. SpeedSet bracket is accurate due to the innovative positioning spacer design. Customized to individual product requirements, positioning spacers accurately hold the rod and guide rail in position. Simply set the rails in "Home Position" for largest containers, and insert the positioning spacers for consistent spacing on smaller containers. Remove the blocks to return to the original "Home Position."

POSITIONING SPACERS

Used to hold the rod in an extended position, insert positioning spacer between the rod sleeve and the guide rail holder. These spacers can be fabricated to provide several positions within the Range of Travel.



PISTON ROD

Tapped piston rod can accept a wide variety of Valu Guide® rail holders (double rail clamp shown).

ROD SLEEVE

The rod sleeve provides the reach to the largest conveyed container while the rod inside the sleeve adjusts to the smaller container.

PUSH KNOB

The push knob is designed to have pressure applied to move the rod and guide rails into a new position.

SPRING

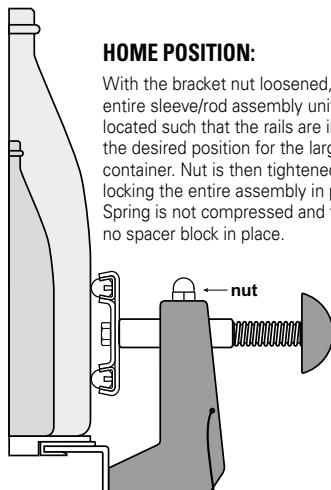
The spring maintains pressure which holds the positioning spacers and guide rail in place. When the positioning spacers are removed, the spring returns the guide rail to the "Home Position".

BRACKETS

Valu Guide® brackets are slotted to allow vertical height adjustment. The use of bracket spacers, swivel tops, and stacking rings allows virtually any conveyor line to take advantage of SpeedSet™ bracket.

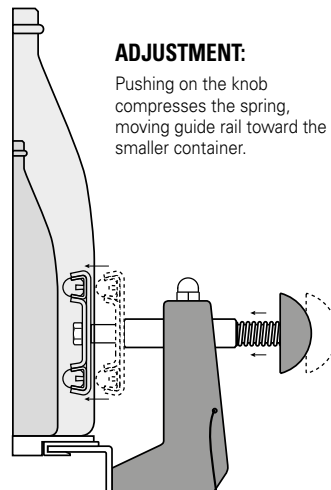
HOME POSITION:

With the bracket nut loosened, the entire sleeve/rod assembly unit is located such that the rails are in the desired position for the largest container. Nut is then tightened, locking the entire assembly in place. Spring is not compressed and there is no spacer block in place.



ADJUSTMENT:

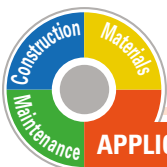
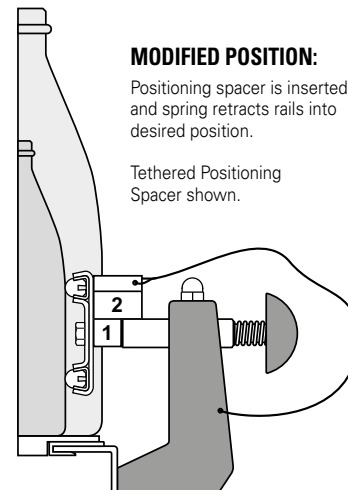
Pushing on the knob compresses the spring, moving guide rail toward the smaller container.



MODIFIED POSITION:

Positioning spacer is inserted and spring retracts rails into desired position.

Tethered Positioning Spacer shown.



APPLICATIONS - General index 7 2 5 1 0 a -

◀ back

7 2 5 4 6 a LBP Accumulation

7 2 5 6 0 a Pressurless combiners belt

7 2 6 2 5 a 2253 Roller top version

7 2 5 5 2 a Roller side guide

7 2 5 9 5 a Flowflex™ belts

7 2 5 5 8 a Pressurless combiners chain



Chains & sprockets	Wear strips	Side guide brackets & accessories	Levelers	Engineering manual
Modular belts & sprockets	Chain & belt return systems	Frame & structure supports	Bearing Supports	
Curves & tracks	Side guide solutions	Miscellaneous products	Equipment	

7 2 5 9 5 a

2120M - FLOWFLEX™ BELTS

SIDEFLEXING BELTS

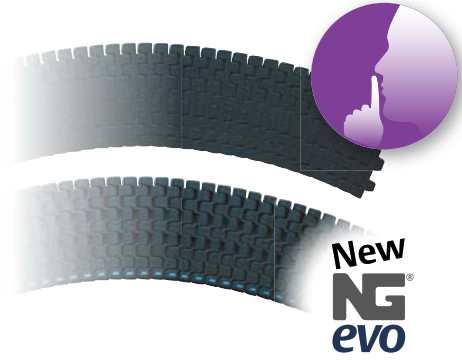


continue ►

2120M - 1/2 IN SIDE-FLEXING CHAIN-BELT PLUS ACCESSORIES

DESIGN:

- Plate thickness: 8.7 mm (0.34 in)
- Pitch: 12.7 mm (1/2 in)
- Width: 83.8 mm (3.30 in)
- Side-flex radius: 500 mm (20 in)
- Load capacity: 1900 N (420 lbs)
- Radius underneath plate: 9.5 mm (0.37 in)
- Track pitch system: 85 mm (3.35 in)
- Curve retention system: magnetic
- Materials: all plastic materials according to material table
- Pins: stainless steel
- Pin locking system: clip at one side



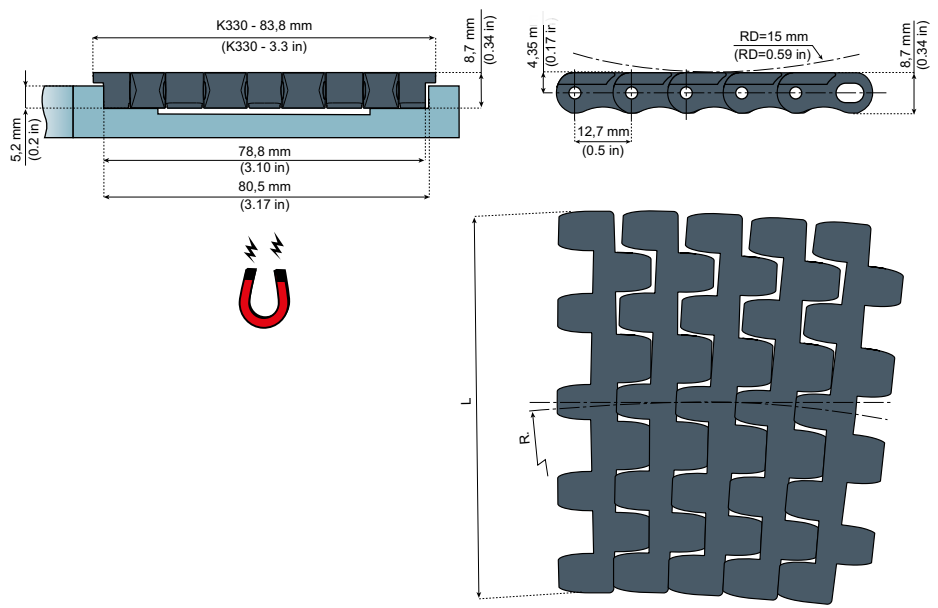
Reduce noise level by 12 dB

For belt 2120M. Go to product page:

3 0 7 2 0 a

For 2120M curves. Go to product page:

5 0 0 8 0 a



APPLICATIONS - General index **7 2 5 1 0 a** -

continue ►

- | | | |
|---|---|---------------------------------------|
| 7 2 5 1 5 a Extra curves | 7 2 5 6 1 a Pressurless combiners wearstrips | 7 2 5 9 0 a Speedset™ brackets |
| 7 2 5 3 6 a Noise reduction | 7 2 5 6 4 a Dry lubrication | |
| 7 2 5 6 0 a Pressurless combiners belt | 7 2 5 7 5 a Dry run considerations | |

Chains & sprockets	Wear strips	Side guide brackets & accessories	Levelers	Engineering manual
Modular belts & sprockets	Chain & belt return systems	Frame & structure supports	Bearing Supports	
Curves & tracks	Side guide solutions	Miscellaneous products	Equipment	

7 2 5 9 6 a

2120M - FLOWFLEX™ BELTS

SIDEFLEXING BELTS



OTHER FEATURES:

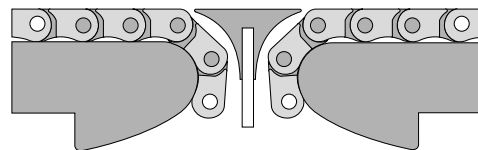
- Runs on the same sprockets as our straight running ½ in belts (e.g. 2120 or 2121). Makes possible sprocket standardization.
- Bottom radius allows for smooth transition with minimal chordal action over nosebars and idler shafts
- Runs Suitable for end drive as well as for center drive.

◀ back continue ▶

For belt 2120M.
Go to product page:

3 0 7 2 0 a

Nose bar. Go to: **3 0 1 7 5 a**



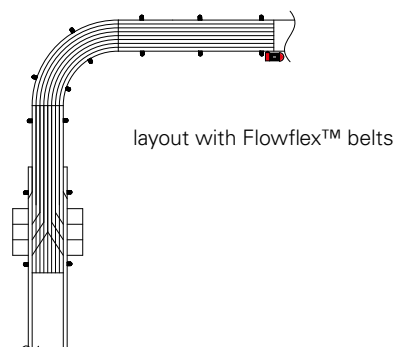
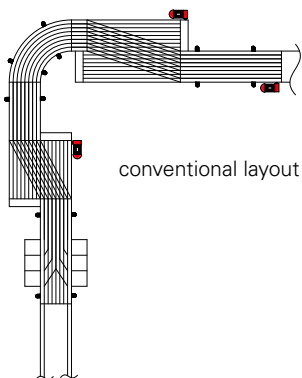
APPLICATIONS:

This belt is ideal for side-flexing applications which require complete product support and tight end-to-end transfers using a nose bar.

- Continuously running belt.
- Short head-to-tail transfers.
- Small gaps between adjacent tracks.

Magnetic curves allow for easy cleaning and reduced maintenance costs.

- Shorter conveyor runs
- Reduction of guide rails at transfers and required time to change product format
- Fewer drives
- Tighter footprint



APPLICATIONS - General index **7 2 5 1 0 a** -

◀ back continue ▶

7 2 5 1 5 a Extra curves

7 2 5 6 1 a Pressurless combiners wearstrips

7 2 5 9 0 a Speedset™ brackets

7 2 5 3 6 a Noise reduction

7 2 5 6 4 a Dry lubrication

7 2 5 6 0 a Pressurless combiners belt

7 2 5 7 5 a Dry run considerations

Chains & sprockets	Wear strips	Side guide brackets & accessories	Levelers	Engineering manual
Modular belts & sprockets	Chain & belt return systems	Frame & structure supports	Bearing Supports	
Curves & tracks	Side guide solutions	Miscellaneous products	Equipment	

7 2 5 9 7 a

2120M - FLOWFLEX™ BELTS

SIDEFLEXING BELTS



◀ back continue ▶

For belt 2120M.
Go to product page:

3 0 7 2 0 a



Side transfer



Linear transfer with FlowFlex™ belts



Side transfer



Linear transfer with FlowFlex™ belts

These features make this belt suitable for a variety of applications.

- Difficult to handle products (non-cylindrical shape & petaloid bases).
- Unstable products (small diameter, high center of gravity).
- Using nose bar transfer and still running a line empty.
- Low and high-speed conveying
- In-line transfer



APPLICATIONS - General index **7 2 5 1 0 a** -

◀ back continue ▶

7 2 5 1 5 a Extra curves

7 2 5 6 1 a Pressurless combiners wearstrips

7 2 5 9 0 a Speedset™ brackets

7 2 5 3 6 a Noise reduction

7 2 5 6 4 a Dry lubrication

7 2 5 6 0 a Pressurless combiners belt

7 2 5 7 5 a Dry run considerations

Chains & sprockets	Wear strips	Side guide brackets & accessories	Levelers	Engineering manual
Modular belts & sprockets	Chain & belt return systems	Frame & structure supports	Bearing Supports	
Curves & tracks	Side guide solutions	Miscellaneous products	Equipment	



◀ back

COMPLETE SYSTEM:

The FlowFlex™ belts system contains:

- The chain-belt 2120M
- Sprockets out of the standard 2120 range
- Nosebars - see corresponding chapter in this engineering manual
- Magnetic curves - see corresponding chapter in this engineering manual

Conveyor length and speed:
plastic chains and belt
Go to:

7 2 1 1 7 a

CONVEYOR DESIGN FOR FLOWFLEX™ BELTS:

- Straight sections just require the standard conveyor design.
- The belt is sliding on the wearstrips just like a modular belt.
- In order to guide the belt, wearstrips with guide rail on top are recommended.
- For single track application the commonly used side-wearstrips are recommended.
- For curving sections first of all our magnetic corner tracks are recommended: they fit exactly the chain-belt and offer maximum chain retention.
- Connection between curve and straight sections also require just the standard design.
- Return part design also just requires the standard design.
- Drive and catenary design is exactly like with straight running ½ in belts.

Curve system: belts.
Go to:

7 2 1 3 6 a

Construction
recommendations.
Go to:

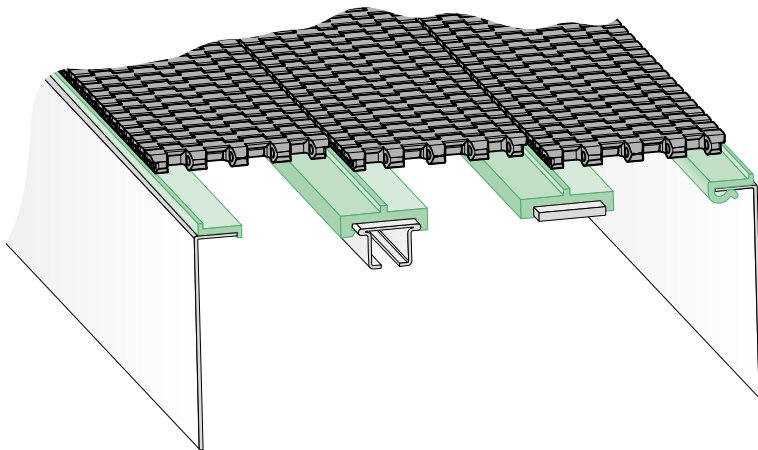
7 2 1 4 0 a

Rotating roller guide
shoes.
Go to:

7 2 1 4 8 a

Nosebar transfer.
Go to:

7 2 1 8 4 a



◀ back

Chains & sprockets	Wear strips	Side guide brackets & accessories	Levelers	Engineering manual
Modular belts & sprockets	Chain & belt return systems	Frame & structure supports	Bearing Supports	
Curves & tracks	Side guide solutions	Miscellaneous products	Equipment	

7 2 6 1 5 a

2250 - FLIGHT VERSION

2250 FLAT TOP BELT WITH FLIGHTS

Our 2250 series modular plastic belts can be equipped with flights to convey products up an incline. Flights help to stop product from falling or sliding back. The flights can be integrated into flat top or flush grid belts and can be made in different FDA compliant materials and in different colors.



continue ▶

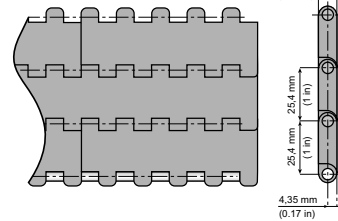
BELTS SPECIFICATIONS

- Pitch: 1" (25.4 mm)
- Thickness: 8.7 mm (0.34")
- Backflex radius: 25 mm (0.98")
- Max load capacity (@21°C): 25000 N/m (1700 lbs/ft.)
- Weight: Flush Grid version: 7.5 Kg/m² (1.53 lbs/ft².); Flat Top versions: 7.4 Kg/m² (1.51 lbs/ft².);
- Pin material: PBT
- Belt Material: NGE, LF or PP
- Open Surface-Only FG: 23%.
- Modular width system:
 - Metric: Standard widths can be made in 85-mm steps from 85 mm to 1870 mm. Special widths available upon request.
 - Standard packaging length:
 - width ≤ 340 mm (13.39"): 3,05 m (10 ft)
 - width > 340 mm (13.39") ≤ 1700 mm (66.93"): 1,52 m (5 ft)
 - width > 1700 mm (66.93"): upon request

2250 FT



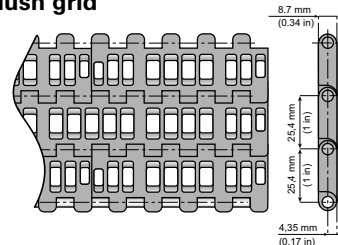
Flat top



2250 FG



Flush grid



For belt with flight. Go to product page:

3 0 3 6 5 a

Conveyor length and speed: plastic chains and belt Go to:

7 2 1 1 7 a

Sprocket position for belt. Go to:

7 2 1 2 0 a

Construction recommendations. Go to:

7 2 1 4 0 a

Return part constructions: belt. Go to:

7 2 1 4 6 a

Wearstrip belt. Go to:

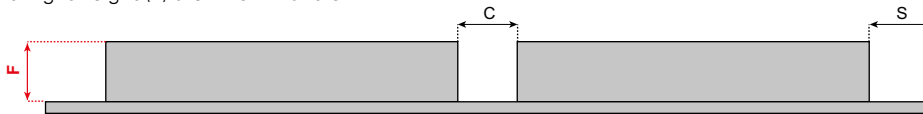
7 2 2 0 5 a

FLIGHTS SPECIFICATION

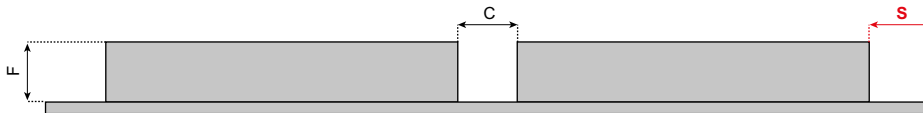
All our flight modules are molded to guarantee a smooth and hygienic surface for easy cleaning. Standard available flights are shown below:

	TYPE 1	TYPE 2	TYPE 3
Height (F)	25.4 mm (1")	50.8 mm (2")	76.2 mm (3")
Width increments	Standard: 85 mm; Special: 17 mm		
Thickness (@ flight top)	2.5 mm		
Available Side Indent (S)	Standard: 51 mm (2"); Special: 17 mm (0.67") or 34 mm (1.34")		

The available standard flight height (F) are 2" or 1" and 3".

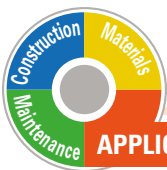
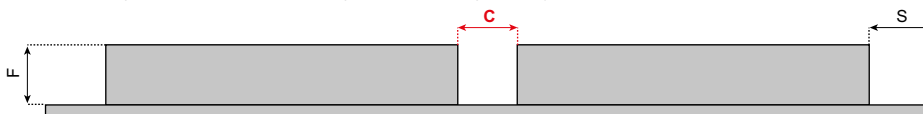


To facilitate a proper support of the belts in the return part of the conveyor, the belt can be made with side indents on the flights. The side indent (S) can be 17, (0.66") 34 (1.33 ") or 51 (2") mm with 51 mm (2") being the standard indent.



For wider belts (W > 600 mm), it is even possible to have 1, 2 or 3 notches in between the flights. In between the notch, a support is required to properly support the belt in the return and avoid it from bending.

Available Notch Width (C) is multiple of 17 mm (0.66"). Special width upon request



APPLICATIONS - General index 7 2 5 1 0 a -

continue ▶

7 2 5 3 6 a Noise reduction

7 2 6 4 0 a 2253RTC Questionnaire

7 2 6 1 5 a Inclined and declined conveyors

7 2 5 7 5 a Dry run considerations

Chains & sprockets	Wear strips	Side guide brackets & accessories	Levelers	Engineering manual
Modular belts & sprockets	Chain & belt return systems	Frame & structure supports	Bearing Supports	
Curves & tracks	Side guide solutions	Miscellaneous products	Equipment	

7 2 6 1 6 a

2250 - FLIGHT VERSION



Note: Products can fall through the notch. The wider the notch, the higher the probability that products fall.

The distance between 2 rows of flights, the pitch (P), can be made as required. Indicate the pitch (P) between the rows that carry the flights by specifying the number of pitches between flights. The example below shows flight spaced at every 12 pitches.

◀ back continue ▶



For belt with flight.
Go to product page:

3 0 3 6 5 a

Conveyor length and speed: plastic chains and belt Go to:

7 2 1 1 7 a

Sprocket position for belt. Go to:

7 2 1 2 0 a

Construction recommendations.
Go to:

7 2 1 4 0 a

Return part constructions: belt.
Go to:

7 2 1 4 6 a

Wearstrip belt.
Go to:

7 2 2 0 5 a

Example modules:



3 in (76,2 mm) height



2 in (50,8 mm) height



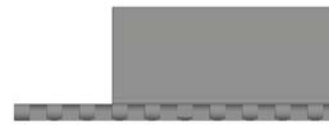
1 in (25,4 mm) height



17 mm (0.67 in) side indent



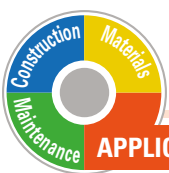
34 mm (1.34 in) side indent



51 mm (2 in) side indent

Belts with flights can be ordered only upon request by fulfilling our questionnaire at page **3 0 3 6 5 b** of the SmartGuide® catalog.

◀ back continue ▶



APPLICATIONS - General index 7 2 5 1 0 a -

7 2 5 3 6 a Noise reduction

7 2 6 4 0 a 2253RTC Questionnaire

7 2 6 1 5 a Inclined and declined conveyors

7 2 5 7 5 a Dry run considerations



Chains & sprockets	Wear strips	Side guide brackets & accessories	Levelers	Engineering manual
Modular belts & sprockets	Chain & belt return systems	Frame & structure supports	Bearing Supports	
Curves & tracks	Side guide solutions	Miscellaneous products	Equipment	

7 2 6 1 7 a

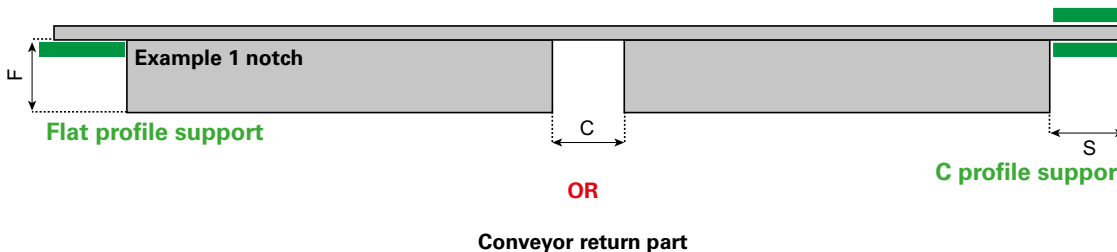
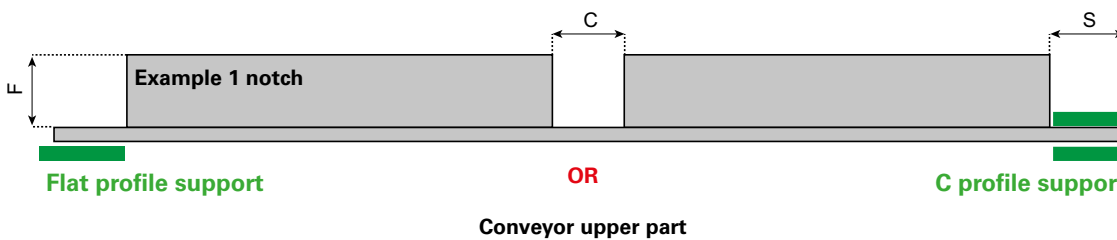
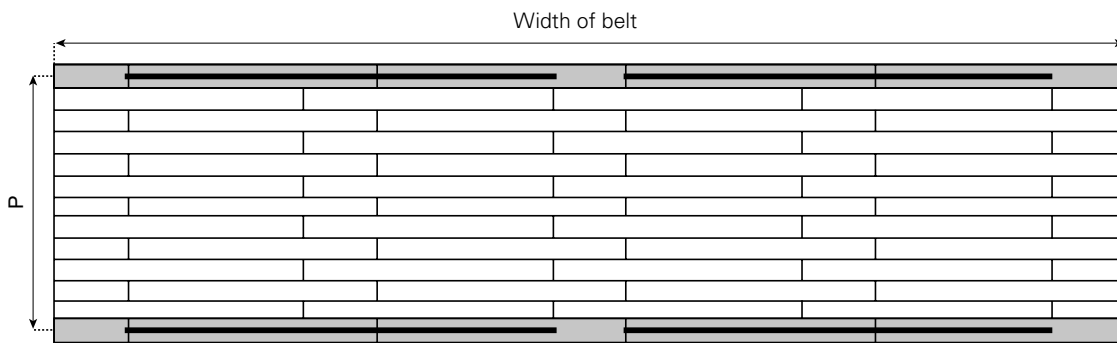
2250 - FLIGHT VERSION



◀ back

UPPER AND RETURN PART SUPPORT WITH FLAT OR C PROFILE

The C-profile may be necessary to retain the belt at the base of the incline. This will keep it from pulling up from the conveyor. Alternatively, a roller can be used at this location to cut down on sliding friction and wear. If a roller is used, ensure the roller size is greater than the belt's minimum backflex radius and also the roller is not touching the flights.



For belt with flight. Go to product page:

3 0 3 6 5 a

Conveyor length and speed: plastic chains and belt Go to:

7 2 1 1 7 a

Sprocket position for belt. Go to:

7 2 1 2 0 a

Construction recommendations. Go to:

7 2 1 4 0 a

Return part constructions: belt. Go to:

7 2 1 4 6 a

Wearstrip belt. Go to:

7 2 2 0 5 a



APPLICATIONS - General index **7 2 5 1 0 a** -

◀ back

7 2 5 3 6 a Noise reduction

7 2 6 4 0 a 2253RTC Questionnaire

7 2 6 1 5 a Inclined and declined conveyors

7 2 5 7 5 a Dry run considerations



Chains & sprockets	Wear strips	Side guide brackets & accessories	Levelers	Engineering manual
Modular belts & sprockets	Chain & belt return systems	Frame & structure supports	Bearing Supports	
Curves & tracks	Side guide solutions	Miscellaneous products	Equipment	

7 2 6 2 5 a

PRINCIPAL OF HANDLING FUNCTIONS

2253RTC - ROLLER TOP VERSION



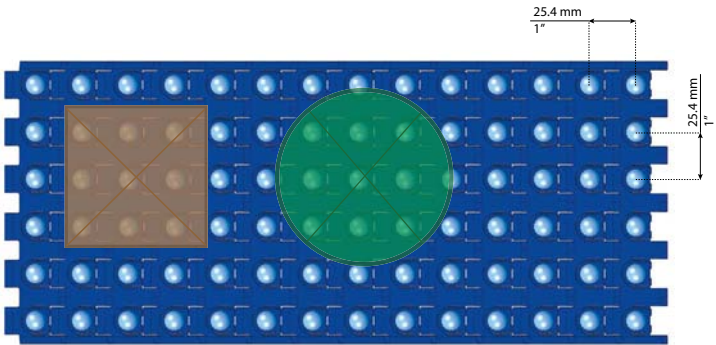
continue ►

PRODUCTS THAT CAN BE HANDLED, GENERAL RECOMMENDATIONS:

To obtain a reliable movement, the contact surface should be relatively flat, and the weight should be uniformly spread.

Especially:

- The higher the number of spheres in contact with the product package the better is the support of the product package. The minimum number of spheres in contact, thus minimum possible footprint handled (contact surface belt/product), corresponds to 6 pcs (3x2), 6 in² about 38 cm². See below.



For 2253RTC belt. Go to product page:

3 0 3 9 8 a

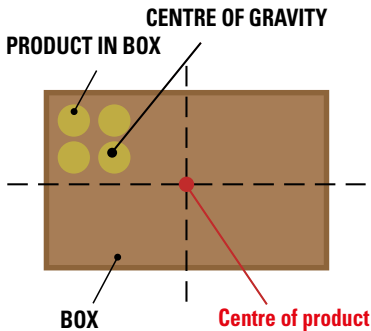
2253RTC Construction detail. Go to:

7 2 2 9 0 a

2253RTC Calculation. Go to:

7 3 5 3 3 a

- Centre of gravity of the product should be as close to the centre of the product contact surface as possible.



Not recommended

Please contact our technical support to evaluate specific cases where it makes sense to test the handling on the roller top belt or just for assistance.



APPLICATIONS - General index 7 2 5 1 0 a -

continue ►

7 2 5 3 6 a Noise reduction

7 2 5 7 5 a Dry run considerations

7 2 5 4 6 a LBP Accumulation

7 2 5 9 0 a Speedset™ brackets

7 2 5 5 2 a Roller side guide



Chains & sprockets	Wear strips	Side guide brackets & accessories	Levelers	Engineering manual
Modular belts & sprockets	Chain & belt return systems	Frame & structure supports	Bearing Supports	
Curves & tracks	Side guide solutions	Miscellaneous products	Equipment	

7 2 6 2 6 a

PRINCIPAL OF HANDLING FUNCTIONS

2253RTC - ROLLER TOP VERSION



ALL-PLASTIC CONSTRUCTION, ENERGY-EFFICIENT CONVEYANCE:

The freely rotating balls reduce rolling resistance, making energy-efficient conveyance possible.

◀ back continue ▶

1 INCH PITCH:

Offers maximum product support due to a comparatively high number of balls creating a high number of contact points between belt and product (1" pattern). That's important in terms of product stability. And to be able to handle more challenging forms and shapes.

For 2253RTC belt. Go to product page:

3 0 3 9 8 a

Offers comparatively short transfers / dead plates between connecting conveyors due to small idler wheel / shaft diameters, particularly with middle drive conveyor design.

2253RTC Construction detail. Go to:

7 2 2 9 0 a

BALL VERSUS ROLLERS:

Balls offer the highest grade of flexibility regarding conveying options and at the same time different product flow directions combined in only one conveyor. Balls offer the ultimate in flexibility which is a big advantage when it is required to change/add functionality.

2253RTC Calculation. Go to:

7 3 5 3 3 a

EASY MAINTENANCE:

Roller top belt can easily be disassembled thanks to the patented, pin clip system. In case of damage, the part of the modular link that was damaged can be quickly replaced, making repairs fast and efficient. The ball elements are interchangeable.

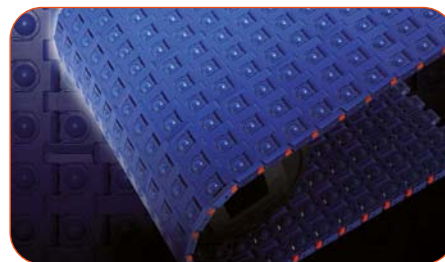
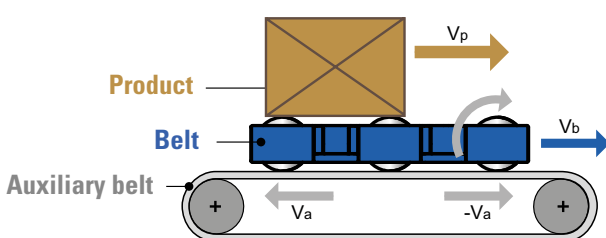
WIDE CONVEYING SURFACE:

A wide, belt-like conveying surface with modular links assembled into a brick-layered arrangement similar to conventional modular belts offers maximum product support. The standard width system is in 3" increments.

PRINCIPLE OF HANDLING FUNCTIONS:

Conveyed goods make contact with plastic balls, which protrude from above and below modular links.

Auxiliary drive units control the rotation of the balls, enabling handling operations such as lateral transfer and rotation.



APPLICATIONS - General index 7 2 5 1 0 a -

◀ back continue ▶

7 2 5 3 6 a Noise reduction

7 2 5 7 5 a Dry run considerations

7 2 5 4 6 a LBP Accumulation

7 2 5 9 0 a Speedset™ brackets

7 2 5 5 2 a Roller side guide



Chains & sprockets	Wear strips	Side guide brackets & accessories	Levelers	Engineering manual
Modular belts & sprockets	Chain & belt return systems	Frame & structure supports	Bearing Supports	
Curves & tracks	Side guide solutions	Miscellaneous products	Equipment	



7 2 6 2 7 a

PRINCIPAL OF HANDLING FUNCTIONS

2253RTC - ROLLER TOP VERSION



◀ back continue ▶

FRICITION PRODUCT/BELT:

In case of doubt about the handling of your pack on the roller top belt, we recommend conducting tests with your original product before finishing the design of your 2253RTC conveyor.

We have small test conveyors that could contribute in this testing process.

Please contact your local System Plast Application Engineering to discuss this.

For 2253RTC belt.
Go to product page:

3 0 3 9 8 a

OPERATING CONDITIONS:

Ball retainers are designed with internal ribs in order to offer low friction against the balls. A certain quantity of debris can be collected in the pockets between the ribs without affecting the rotation of the balls. If some balls do not rotate freely, conveyed goods may move uncontrolled and precise positioning can be more challenging. Blocked balls wear out unevenly and have to be replaced.

In case it cannot be avoided that dirt is accumulating on the belt, a proper cleaning regime needs to be put in place. Alternatively, a spare belt can be kept at hand to quickly swap and clean the polluted belt off line.

The system with auxiliary belt is based on constant and sufficient friction respectively grip. Any grip-reducing conditions, e.g. lubrication, water carry over, can affect the performance of the conveyor in an unpredictable way. For stable driving of the auxiliary belt, a proper and constant grip is important.

IMPORTANT: for a stable and smooth operations, it's important that the conveyors and thus the support of the roller top belt is flat and leveled, also in order to reduce the running noise.

The optimum functionality of the roller top belt is reached when the belt is clean. Carry over of dirt can reduce the functionality. Therefore, avoid that the belt gets polluted and thoroughly clean the belt if necessary.

Cleaning is necessary, if products do not move as they are supposed to do.

Intermediate cleaning can be done by means of compressed air blowing devices without dismantling the conveyor.

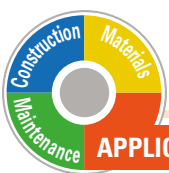
In case of pollution of the belt, we recommend to dismount the belt completely for a proper cleaning.

2253RTC Construction detail. Go to:

7 2 2 9 0 a

2253RTC Calculation. Go to:

7 3 5 3 3 a



APPLICATIONS - General index 7 2 5 1 0 a -

◀ back continue ▶

7 2 5 3 6 a Noise reduction

7 2 5 7 5 a Dry run considerations

7 2 5 4 6 a LBP Accumulation

7 2 5 9 0 a Speedset™ brackets

7 2 5 5 2 a Roller side guide



Chains & sprockets	Wear strips	Side guide brackets & accessories	Levelers	Engineering manual
Modular belts & sprockets	Chain & belt return systems	Frame & structure supports	Bearing Supports	
Curves & tracks	Side guide solutions	Miscellaneous products	Equipment	



◀ back continue ▶

For 2253RTC belt.
Go to product page:

3 0 3 9 8 a

2253RTC Construction detail. Go to:

7 2 2 9 0 a

2253RTC Calculation. Go to:

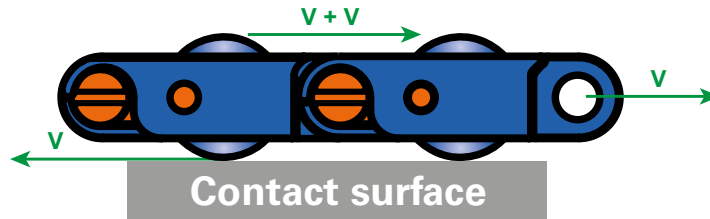
7 3 5 3 3 a

DOUBLE (2X) SPEED PRINCIPLE:

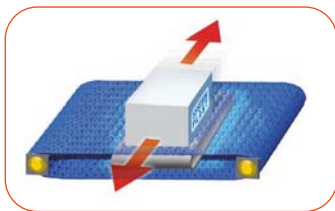
When the belt is running at a certain speed V and the balls are in contact with the supporting surface, the pack will run at the double speed of the belt: $2xV$.

The fact that the pack speed is double the belt speed, means that often the roller top belt can run at lower speed. In this case the wear life of the belts is extended.

Using an auxiliary belt underneath the roller top belt, according to the sense of travel, it is also possible to realize metering effects. See examples in next chapters.



PRODUCT CAPABILITIES:



DIVERTER - LATERAL MOVEMENT

An auxiliary belt underneath the Roller top belt, running square to the travel direction, adds a lateral movement to the rollers. With that, the packs can be manipulated also in lateral direction. The system can transfer the pack with or without external guides. This scenario is ideal for reject conveyors or any application requiring rapid 90-degree transfer of the conveyed item. Pack positioning can also be achieved by this configuration.

Further details at page **7 3 5 3 3 a**



ROTATION WITH PRODUCT STOPPED

When using a rotating disc underneath the Roller top belt, you can have optimum control of the rotation of the pack. The Roller top belt must be stopped during rotation.

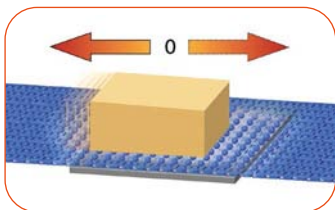
Further details at page **7 3 5 3 5 a**



ROTATION WITH PRODUCT MOVING

When two parallel auxiliary belts are positioned underneath the Roller top belts, and running in different directions and/or speeds, packs in the middle of the belt will rotate. This condition is ideal for applications where pack orientation is important, for example, the infeed to a palletizer. In this case, packs can be moved forward while rotating. This way of packs rotating 'on the move' gives a higher capacity.

Further details at page **7 3 5 3 7 a**



METERING

When the belt is moving and the rollers are in contact with a static support, the rollers will start rotating. This will result in movement of the product with a speed that is twice the speed of the belt. This function is very useful when products must be separated from each other. This function enables the belt to run at lower speed, which improves belt life and reduces energy consumption.

COMBINATIONS OF THE BASIC MOVEMENTS ARE POSSIBLE TO REALIZE THE REQUIRED CONFIGURATION.



◀ back continue ▶

Chains & sprockets	Wear strips	Side guide brackets & accessories	Levelers	Engineering manual
Modular belts & sprockets	Chain & belt return systems	Frame & structure supports	Bearing Supports	
Curves & tracks	Side guide solutions	Miscellaneous products	Equipment	

7 2 6 3 0 a

APPLICATIONS EXAMPLES

2253RTC - ROLLER TOP VERSION

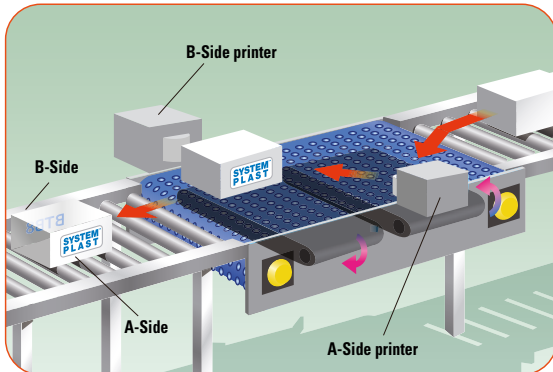


APPLICATION EXAMPLES

PRODUCT POSITIONING:

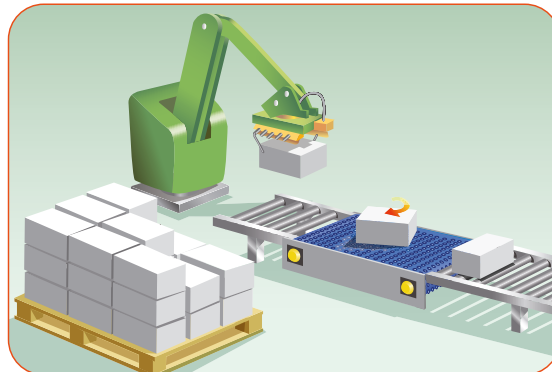
- Printing
- Labelling
- Reading Barcodes

Note: Installation of guides is recommended.



PRODUCT ORIENTATION:

- Palletizers
- Casing Machines



◀ back continue ▶

For 2253RTC belt.
Go to product page:

3 0 3 9 8 a

2253RTC Construction detail. Go to:

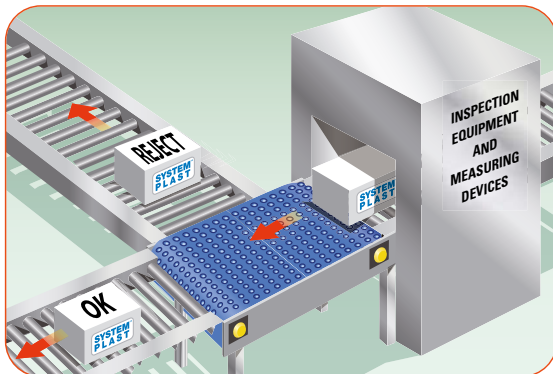
7 2 2 9 0 a

2253RTC Calculation. Go to:

7 3 5 3 3 a

REJECT STATIONS:

- Inspection Equipment, e.g. metal detector.
- Measuring Devices, e.g. weighing.

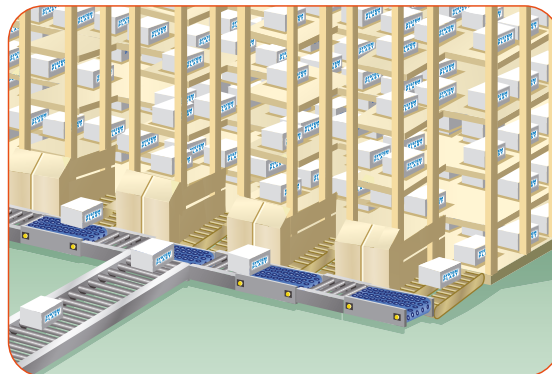


The Modsort® right angle transfer module can be used.
Check product specification at page:

7 2 5 1 0 a

AUTOMATIC STORAGE SYSTEMS:

- Distribution Center
- Lane Divider
- Sorting



The Modsort® right angle transfer module can be used.
Check product specification at page:

7 2 5 1 0 a



APPLICATIONS - General index 7 2 5 1 0 a -

◀ back continue ▶

7 2 5 3 6 a Noise reduction

7 2 5 4 6 a LBP Accumulation

7 2 5 5 2 a Roller side guide

7 2 5 7 5 a Dry run considerations

7 2 5 9 0 a Speedset™ brackets

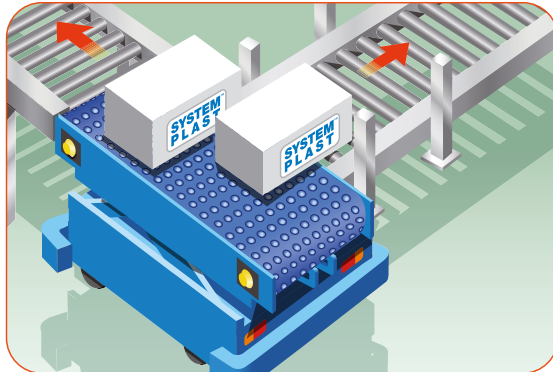
Chains & sprockets	Wear strips	Side guide brackets & accessories	Levelers	Engineering manual
Modular belts & sprockets	Chain & belt return systems	Frame & structure supports	Bearing Supports	
Curves & tracks	Side guide solutions	Miscellaneous products	Equipment	

APPLICATION EXAMPLES

MOUNTING ON AGVS:

- Lifter / Raising and Lowering Equipment
- AGV (Automated Guided Vehicle)

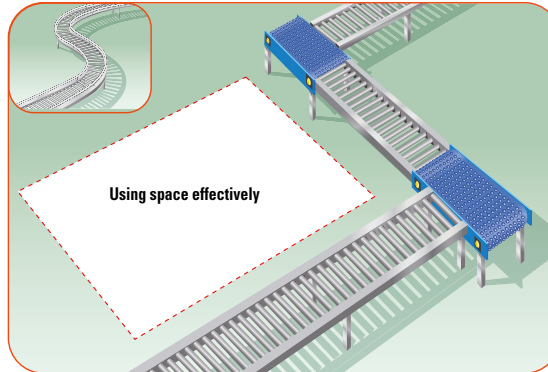
Note: Accumulating products on the belt is not recommended.



The Modsort right angle transfer module can be used. Check product specification at page:

5 7 0 1 5 a

NO SPACE FOR CURVES



The Modsort right angle transfer module can be used. Check product specification at page:

5 7 0 1 5 a



◀ back

For 2253RTC belt. Go to product page:

3 0 3 9 8 a

2253RTC Construction detail. Go to:

7 2 2 9 0 a

2253RTC Calculation. Go to:

7 3 5 3 3 a



◀ back



Chains & sprockets	Wear strips	Side guide brackets & accessories	Levelers	Engineering manual
Modular belts & sprockets	Chain & belt return systems	Frame & structure supports	Bearing Supports	
Curves & tracks	Side guide solutions	Miscellaneous products	Equipment	



7 2 6 4 0 a

QUESTIONNAIRE

2253RTC - ROLLER TOP VERSION



Fill in the below questionnaire and we will help you in determining the best configuration of your application.

Customer name		Date	
Country			
Address / Telephone			
Email			
Reference person			

continue ►

Construction detail.
Go to:

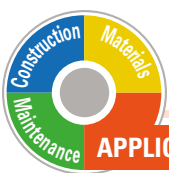
7 2 2 9 0 a

	Length mm	Width mm	Height mm	Throughput pieces/h	Product Type	Product Weight	Arrival travel direction		
									Random
Product 1									
Product 2									
Product 3									
Product 4									
Product 5									
Product 6									

Field of application	
Operating temperature range [°C]	
Humidity [%]	
Dust/Powder	
Overall space available [m]	

Pitch between products [mm]	
-----------------------------	--

Please also provide a picture or image of the product with particular reference to the bottom side.



APPLICATIONS - General index 7 2 5 1 0 a -

continue ►

7 2 6 2 5 a 2253RTC Application



Chains & sprockets	Wear strips	Side guide brackets & accessories	Levelers	Engineering manual
Modular belts & sprockets	Chain & belt return systems	Frame & structure supports	Bearing Supports	
Curves & tracks	Side guide solutions	Miscellaneous products	Equipment	

7 2 6 4 1 a

QUESTIONNAIRE

2253RTC - ROLLER TOP VERSION



◀ back continue ▶

Construction detail.
Go to:

7 2 2 9 0 a

APPLICATION CONFIGURATION SELECTION

DIVIDER

1 to 2	1 to 3	2 to 3
Infeed row: centered		
<p>R-out [mm]:</p>	<p>R-out [mm]:</p>	<p>R-in [mm]: R-out [mm]:</p>
Infeed row: aside		
<p>R-out [mm]:</p>	<p>R-out [mm]:</p>	<p>R-in [mm]: R-out [mm]:</p>

Notes: For configuration 1 to 3 and 2 to 3 spacing between Rows Out is consider to be the same. Please specify if different. For configurations with Rows in number more than two and/or Rows Out number more than three please provide a sketch with product flow logics and distances between rows.

MERGER

2 to 1	3 to 1	3 to 2
Infeed row: centered		
<p>R-out [mm]:</p>	<p>R-out [mm]:</p>	<p>R-in [mm]: R-out [mm]:</p>
Infeed row: aside		
<p>R-out [mm]:</p>	<p>R-out [mm]:</p>	<p>R-in [mm]: R-out [mm]:</p>

Notes: For configuration 3 to 1 and 3 to 2 spacing between Rows Out is consider to be the same. Please specify if different. For configurations with Rows in number more than three and/or Rows Out number more than two please provide a sketch with product flow logics and distances between rows.



APPLICATIONS - General index 7 2 5 1 0 a -

◀ back continue ▶

7 2 6 2 5 a 2253RTC Application



Chains & sprockets	Wear strips	Side guide brackets & accessories	Levelers	Engineering manual
Modular belts & sprockets	Chain & belt return systems	Frame & structure supports	Bearing Supports	
Curves & tracks	Side guide solutions	Miscellaneous products	Equipment	

7 2 6 4 2 a

QUESTIONNAIRE

2253RTC - ROLLER TOP VERSION



◀ back

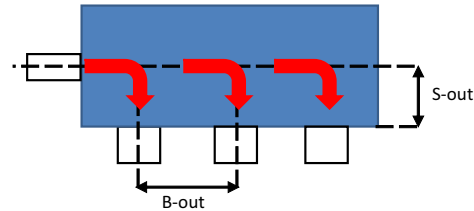
Construction detail.
Go to:

7 2 2 9 0 a

SORTER/ 90 DEG SHIFTER

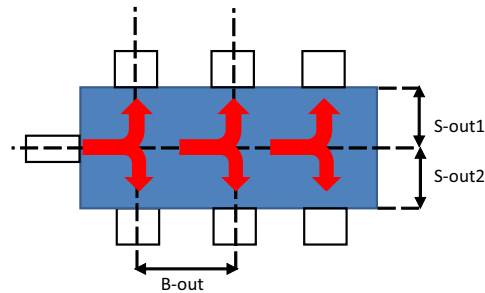
BAYS ON ONE SIDE ONLY

Total number of bays:
B-out, pitch between bays [mm]:
S-out, side shift [mm]:



BAYS ON ONE BOTH ONLY

Total number of bays per side:
B-out, pitch between bays [mm]:
Bays symmetrical respect axis? [yes/no]:
S-out1, side shift 1 [mm]:
S-out2, side shift 2 [mm]:

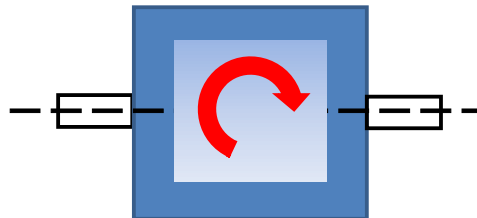


Notes: Bay are supposed to keep the same spacing/pitch. If pitch differs between subsequent bays please specify sequence. For angled bays, not symmetrical configurations or solutions not listed please provide a sketch with product flow logics and distances between rows.

TURNING DEVICE

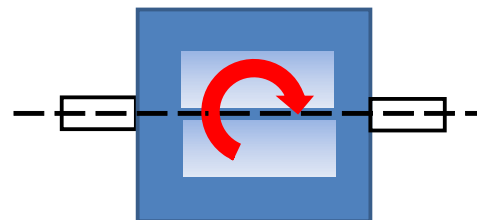
START STOP TURNING (DISK)

Rotation required [deg]:
Number of turns required:



IN MOTION TURNING (2 BELTS)

Rotation required [deg]:
Product arrival [LSL, SSL]:
Number of turns required:



*LSL, long side leading



SSL, short side leading



APPLICATIONS - General index 7 2 5 1 0 a -

◀ back

7 2 6 2 5 a 2253RTC Application



Chains and sprockets	Wear strips	Side guide brackets and accessories	Levelers	Engineering manual
Modular belts and sprockets	Chain and belt return systems	Frame and structure supports	Bearing supports	
Curves and tracks	Side guide solutions	Miscellaneous products	Equipment	



7 3 0 1 0 a

INSPECTION AND MAINTENANCE INDEX

INTERNATIONAL METRIC

INSPECTION AND MAINTENANCE

- Parameters affecting service life..... **73015a**
- Cleaning and maintenance..... **73017a**
- 2500RR cleaning instructions **73021a**
- Inspection procedure and replacement criteria **73023a**
- Mounting and removal of belt..... **73030a**
- Powerflex™ conveyor assembly instructions **73041a**
- 2253RT assembly instructions..... **73043a**
- Installation procedure **73045a**
- Installation of curves..... **73047a**
- Bearing mounting instructions..... **73052a**
- How to identify a curve..... **73058a**
- Troubleshooting..... **73062a**

SELECTION GUIDELINES INDEX 72010a

72110a CONSTRUCTION DETAILS

APPLICATIONS 72510a

73510a MATERIALS AND CALCULATIONS



Chains and sprockets	Wear strips	Side guide brackets and accessories	Levelers	Engineering manual
Modular belts and sprockets	Chain and belt return systems	Frame and structure supports	Bearing supports	
Curves and tracks	Side guide solutions	Miscellaneous products	Equipment	



7 3 0 1 5 a

PARAMETERS AFFECTING SERVICE LIFE

OPERATING CONDITIONS:

- Load
- Speed
- Number of starts per hour
 - No soft start/frequency inverter-controlled drive
- Product accumulation
- Product type
 - Aluminum
 - Glass (New vs. Returnable)
 - PET
 - Cardboard / Paper
- Lubrication
 - Water quality
 - Concentration of chlorines
 - Water hardness
 - Contamination
 - Inconsistent water supply
 - Lubricant
 - Suitability/performance
 - Dosing
 - Nozzle efficiency

CLEANING:

- Cleaning agent
 - Frequency
 - Intensity
 - Post application rinsing
 - Concentration
 - Contact time
 - Temperature
- Product leakage or spills
- Chemical attack
 - Material compatibility

ENVIRONMENT:

- Temperature
 - Hot / cold environment
 - Steam tunnels
 - Shrink-wrap tunnels
 - Temperature variations
- Humidity
- Abrasives (grit, hard water, sugar, flours, dust etc.)
- Corrosive chemicals
- UV / Direct sunlight
- Cleanliness
 - Soil e.g. from construction work

CONVEYOR COMPONENTS:

- Material quality
- Construction
- Dimensional accuracy of
 - Wear strips
 - Sprockets
 - Idlers
 - Return rollers / serpentine
 - Shaft alignment
 - Transitions (to minimize catch points)

CONVEYOR CONSTRUCTION:

- Choice of chain/belt
 - Proper installation and orientation
- Proper material for application
 - Chain/belt material
 - Wearstrip material
 - Return system
- Catenary design
 - Tensioner
 - Snub roller
- Sprocket construction
 - Tooth geometry
 - Number of teeth/polygon effect
 - Shaft drop
- Return part construction
 - Smooth infeed
 - Non rotating return rollers
- Wearstrips
 - Flatness
 - Chamfers
 - Raised portions
 - Expansion compensation gaps
 - Proper support configuration
 - Chevron
 - In-line
 - Staggered
 - Serpentine

CHANGED/MODIFIED CONDITIONS:

- Modification of conveyor or it's parts/components
 - Maintenance
 - Overhaul
 - Proper fit of connections and transitions



INSPECTION AND MAINTENANCE - General index 7 3 0 1 0 a -

7 3 0 1 7 a Cleaning and maintenance	7 3 0 4 1 a Powerflex™ assembly instructions	7 3 0 5 2 a Bearing mounting instructions
7 3 0 2 3 a Inspection procedure and replacement criteria	7 3 0 4 5 a Installation procedure	7 3 0 5 8 a How to identify a curve
7 3 0 3 0 a Mounting and removal of belt	7 3 0 4 7 a Installation of curves	7 3 0 6 2 a Troubleshooting



Chains and sprockets	Wear strips	Side guide brackets and accessories	Levelers	Engineering manual
Modular belts and sprockets	Chain and belt return systems	Frame and structure supports	Bearing supports	
Curves and tracks	Side guide solutions	Miscellaneous products	Equipment	



continue ►

7 3 0 1 7 a

CLEANING AND MAINTENANCE

GENERAL

Cleaning a conveyor is imperative to ensure proper performance for the duration of the conveyor life. Since pressure on production rates and production costs is increasing, companies often look at cleaning when trying to cut costs. Less time and resources are available, while at the same time the capacity of the lines (and thus pollution and product loss) may increase. When companies are setting up a cleaning regime they tend to focus on the individual machines (mainly filler and surrounding) and not so much on the conveyors. Therefore, we want to promote **CONVEYOR AWARENESS** with regards to a proper cleaning regime.

CLEANING INSTRUCTIONS

In many applications, a build-up of grease, dirt, debris or even spilled product like beer, soft drinks or juice can occur. This may cause problems with the conveyor operation. Therefore, a thorough and regular cleaning and rinsing procedure is very important to the successful operation of any conveyor line.

CLEANING IS NECESSARY TO:

- Minimize dirt and debris built up
- Keep bacterial growth under control
- Elongate service life of chains/belts
- Ensure smooth conveyance of chain/belt for optimum product stability
- Prevent crashes due to obstructions, such as broken glass
- Prevent malfunction due to sticky residues
- Keep friction low
- Avoid damage to the conveyed product
- Reduce power requirements
- Reduce or eliminate chain / modular belt pulsations
- Avoid excessive wear on chain / modular belt surface and in the joint hinge areas
- Avoid rapid wear on the wearstrips
- Reduce accelerated sprocket tooth wear
- Prevent chemical attack with proper rinsing procedures

If conveyors are going to sit idle for a long time before start-up, they should be covered with plastic to minimize dirt and debris that can settle into the chain / modular belt tracks. Also, do a proper total cleaning and wash down before you start running the conveyors.



INSPECTION AND MAINTENANCE - General index 7 3 0 1 0 a -

continue ►

7 3 0 1 5 a Parameters affecting service life	7 3 0 4 1 a Powerflex™ assembly instructions	7 3 0 5 2 a Bearing mounting instructions
7 3 0 2 3 a Inspection procedure and replacement criteria	7 3 0 4 5 a Installation procedure	7 3 0 5 8 a How to identify a curve
7 3 0 3 0 a Mounting and removal of belt	7 3 0 4 7 a Installation of curves	7 3 0 6 2 a Troubleshooting



Chains and sprockets	Wear strips	Side guide brackets and accessories	Levelers	Engineering manual
Modular belts and sprockets	Chain and belt return systems	Frame and structure supports	Bearing supports	
Curves and tracks	Side guide solutions	Miscellaneous products	Equipment	

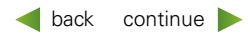


7 3 0 1 8 a

CLEANING AND MAINTENANCE

FREQUENCY

AS A RULE OF THUMB WE SAY THAT CLEANING THE LINE ONCE A WEEK IS SUFFICIENT



LUBRICATED LINES:

Once a week.

In practice, depending on the circumstances, this can be more frequent (i.e. during product changes in case of product loss or other contamination) or less frequent in a relatively clean environment.

In the direct surrounding of the filler, cleaning will be more frequent. Depending also on the bacterial situation it may be necessary to clean at least once a day or once every shift. A thorough rinsing may also be sufficient as a "clean between cleanings."

Also, chemicals carrying over from a pasteurizer may require more frequent cleaning to prevent the chemicals attacks of chain/ belt materials.

In a can line where aluminum cans are filled, there's the aluminum oxide that must be kept under control.

This can occur also far away from filler-pasteurizer, where the line is running dry. In inliner, when the cans are accelerating the remaining drops will fall down with the aluminum oxide on the chain causing a highly abrasive sludge to build up. Therefore, it may be necessary to clean more frequently further down the line due to this phenomenon.

DRY RUNNING LINES "SMART CLEANING"

In applications that are completely dry running, less cleaning might be required. Dirt will not stick to dry chains and bacteria growth will be minimum. However, in such applications local cleaning can be necessary in case of unusual product spillage.

Daily:

- Remove broken glass which sticks between chains/belts and side guides.
- Clean the outfeed conveyors from the filler. Product spillage will cause extra wear especially after drying in. Ideally an automatic CIP cleaner can be installed.

Weekly:

- Wet areas, such as after the pasteurizer: due to chemicals coming from the pasteurizer this area needs extra attention to prevent chemicals from attacking the plastic chain/belt.

Monthly:

- All areas which are complete dry. Dry areas need less attention compared to wet or semi wet areas.

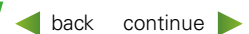
These are general recommendations to guide site cleaning procedures. The correct balance need to be found for each line.

Compared to a traditional water/soap lubricated line, a dry running line doesn't need more cleaning, but the cleaning interval will be different in some areas. Wet areas after the filler and pasteurizer need more attention compared to dry areas. In dry areas, no dirt or debris will build up.

It's important to keep the water and product spillage as close as possible to the process machines. A proper shower after the filler in combination with a blower to remove the water and product from the bottles is recommended. A strong blower after the pasteurizer to remove the water from the products will help to keep the subsequent conveyors dry.



INSPECTION AND MAINTENANCE - General index 7 3 0 1 0 a -



- | | | |
|--|---|--|
| 7 3 0 1 5 a Parameters affecting service life | 7 3 0 4 1 a Powerflex™ assembly instructions | 7 3 0 5 2 a Bearing mounting instructions |
| 7 3 0 2 3 a Inspection procedure and replacement criteria | 7 3 0 4 5 a Installation procedure | 7 3 0 5 8 a How to identify a curve |
| 7 3 0 3 0 a Mounting and removal of belt | 7 3 0 4 7 a Installation of curves | 7 3 0 6 2 a Troubleshooting |



Chains and sprockets	Wear strips	Side guide brackets and accessories	Levelers	Engineering manual
Modular belts and sprockets	Chain and belt return systems	Frame and structure supports	Bearing supports	
Curves and tracks	Side guide solutions	Miscellaneous products	Equipment	

7 3 0 1 9 a

CLEANING AND MAINTENANCE



◀ back

METHOD

Important for optimum service life of the chains and modular belts is a general inspection of the conveyors during operation. Listen for strange rattling or squeaking noises. Check transfer plates, return rollers, bearings, etc for proper product and chain/belt conveyance. Make sure the chain / modular belt is still running free without pinch points (extra resistance) or obstruction. Often the service life of a chain / modular belt is reduced for mechanical reasons that can be addressed easily.

When cleaning we advise to go through the following steps:

- Check for foreign parts on the conveyor and in the return
- Rinse with warm (max. 60° C / 140° F) or cold water thoroughly while chain / modular belt is running
- Use mild (pH: 5-9) detergent according to supplier's instruction
- If necessary, clean mechanically (soft brush) when pollution is hard to remove
- Rinse thoroughly with warm or cold water. Make sure all detergent is rinsed away while chain / modular belt is running
- Final a mechanical check that chain / modular belt is running free without obstruction

During this process, it's important not to forget to clean in between carry and return section and underneath the return support system.

NOTICE

Especially with plastic chains/modular belts the detergent in use needs to be checked for compatibility with the plastic material from the chain/modular belt. See at page **7 3 5 8 6 a**

ALWAYS thoroughly rinse all cleaning agents completely off the chain / modular belt and conveyor frame. Make sure that the underside of the chain / modular belt is also rinsed thoroughly.

DRY VERSUS WET

When a wet lubricant is in use (water and soap) product loss is normally flushed off by the water and soap. Often the soap also has a "cleaning function" built in.

But wet circumstances also attract dust and dirt and will increase the growth of bacteria.

When a line is standing still during a stop or during the weekend without cleaning, the lubricant will dry in which may cause pollution and changing sliding characteristics of the chains/belt after several times. It also may cause excessive resistance at start-up.

Under dry circumstances the conveyors generally remain cleaner. But product leakage needs to be rinsed away quickly to avoid functional problems of the line.

Therefore, functionally speaking wet lubrication is safer but requires a regular cleaning and has high cost factor.

All together with the present state of conveyor technology it is possible to run a major part of a glass, can or a PET line dry taken into consideration that a regular cleaning regime is in place.



INSPECTION AND MAINTENANCE - General index 7 3 0 1 0 a -

◀ back

- | | | |
|--|---|--|
| 7 3 0 1 5 a Parameters affecting service life | 7 3 0 4 1 a Powerflex™ assembly instructions | 7 3 0 5 2 a Bearing mounting instructions |
| 7 3 0 2 3 a Inspection procedure and replacement criteria | 7 3 0 4 5 a Installation procedure | 7 3 0 5 8 a How to identify a curve |
| 7 3 0 3 0 a Mounting and removal of belt | 7 3 0 4 7 a Installation of curves | 7 3 0 6 2 a Troubleshooting |



Chains and sprockets	Wear strips	Side guide brackets and accessories	Levelers	Engineering manual
Modular belts and sprockets	Chain and belt return systems	Frame and structure supports	Bearing supports	
Curves and tracks	Side guide solutions	Miscellaneous products	Equipment	



7 3 0 2 1 a

2500RR CLEANING INSTRUCTIONS

RAISED RIB BELT 2500

CLEANING INSTRUCTIONS

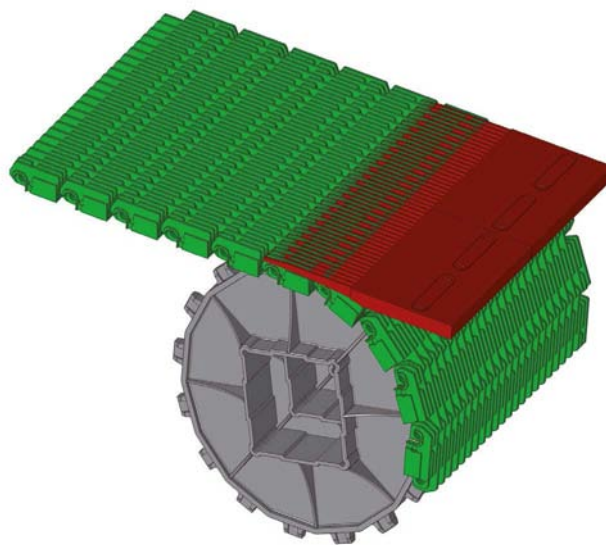
GENERAL REMARKS

In pasteurizers, warmers and coolers there is a continuous water flow through the belt due to the process. This normally keeps the belt clean, provided there are additives in the water to prevent bacteria growth. Always check the chemical compatibility of these additives and other cleaning solutions with the belt material in advance. For material's chemical compatibility refer to page **7 3 5 8 6 a**

To enable a hygienic and trouble-free operation, we recommend checking the 2500 Raised Rib belt and all conveyor components regularly and to clean or replace them if necessary.

We recommend paying special attention to the following:

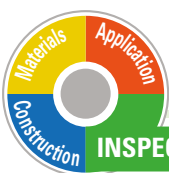
- Check the raised rib belt and the whole return part of the conveyor for foreign particles thoroughly and regularly. Check also both sides of the belt and the free space between belt side and the conveyor frame and the side guide. There might be foreign particles stuck in between the ribs, or any other free space, which can lead to bad product handling and damage of the belt, the finger-comb plates, the sprockets and other conveyor parts. This is especially critical for conveyors carrying glass bottles.
- Clean the area of the finger-comb plates regularly, to ensure that the finger-comb plates can move freely on their assembly plates. Dirt and debris should be removed immediately. Otherwise, the free movement of the finger plates is limited and thus the risk that fingers can bend or break will increase. It might be necessary to disassemble the shoulder screws and clean also the area of the slot holes. Replace any combs with broken fingers.
- During assembly ensure that there is no dirt and debris between the combs and their assembly plates.



Detailed information how to clean and maintain a pasteurizer-/ cooler-/ warmer tunnel, will be provided by the line manufacturer.

For temperature resistance of our products go to: **7 3 5 8 8 a**

Contact our technical support for further information.



INSPECTION AND MAINTENANCE - General index 7 3 0 1 0 a -

7 3 0 1 5 a Parameters affecting service life

7 3 0 4 5 a Installation procedure

7 3 0 2 3 a Inspection procedure and replacement criteria

7 3 0 5 2 a Bearing mounting instructions

7 3 0 3 0 a Mounting and removal of belt

7 3 0 6 2 a Troubleshooting



Chains and sprockets	Wear strips	Side guide brackets and accessories	Levelers	Engineering manual
Modular belts and sprockets	Chain and belt return systems	Frame and structure supports	Bearing supports	
Curves and tracks	Side guide solutions	Miscellaneous products	Equipment	



continue ►

7 3 0 2 3 a INSPECTION PROCEDURE AND REPLACEMENT CRITERIA

INSPECTION PROCEDURE AND REPLACEMENT CRITERIA:

During conveyor operation, periodic inspection of the chain/modular belt, sprocket and conveyor system is required to detect any issues and make repairs or replacement before serious damage may occurs. It is important to set up a regular inspection and maintenance schedule. The conveyors should be inspected while the system is running and when it is shut off.

The following to provide a general recommendation on conveyor components' inspection and its frequency.

	DAILY INSPECTION	WEEKLY INSPECTION	MONTHLY INSPECTION
1. Inspect chains for unusual wear patterns or damage	X	X	
2. Look for excessive gaps between chain flights - Check elongation periodically or if gaps appear to be excessive		X	
3. Check conveying surface for flatness, bent or broken flights	X		
4. Inspect hold-down tabs or beveled sliding surfaces for excessive wear			X
5. Review chain catenary sag for proper amount—remove links if sag exceeds 6" from bottom of drive sprocket			X
6. If take-ups are used, check that take-up tension is not excessive. Do not preload chain			X
7. Check all idlers, rollers, turn discs and sprockets for free rotation			X
8. Examine sprockets for excessive wear			X
9. Look for debris build up in sprocket tooth pockets			X
10. Check for excessive sprocket guide ring wear			X
11. Check all wearstrips and fasteners for excessive or unusual wear			X
12. Check all transfer points, dead plates, turn tables, turn discs and sprockets for proper elevation and alignment			X
13. Review function of lubrication system			X
14. Inspect general cleanliness of conveyor system		X	



INSPECTION AND MAINTENANCE - General index 7 3 0 1 0 a -

continue ►

- 7 3 0 1 5 a Parameters affecting service life**
- 7 3 0 4 1 a Powerflex™ assembly instructions**
- 7 3 0 5 2 a Bearing mounting instructions**
- 7 3 0 1 7 a Cleaning and maintenance**
- 7 3 0 4 5 a Installation procedure**
- 7 3 0 5 8 a How to identify a curve**
- 7 3 0 3 0 a Mounting and removal of belt**
- 7 3 0 4 7 a Installation of curves**
- 7 3 0 6 2 a Troubleshooting**



Chains and sprockets	Wear strips	Side guide brackets and accessories	Levelers	Engineering manual
Modular belts and sprockets	Chain and belt return systems	Frame and structure supports	Bearing supports	
Curves and tracks	Side guide solutions	Miscellaneous products	Equipment	



7 3 0 2 4 a INSPECTION PROCEDURE AND REPLACEMENT CRITERIA

◀ back continue ▶

The below inspection methods provide measurement criteria for functional characteristics (i.e. chain pitch) of conveyor components. If the recorded value during inspection exceeds the maximum allowable value, the conveyor component should be replaced. Refer to replacement criteria for requirements.

A - CHAIN/BELT INSPECTION METHOD

A1- CHAIN/BELT PITCH

Inspection device:

- Tape measure

Inspection method:

- Make sure that the chain/belt is under light tension and straight
- Measure the length of 10 chain links/belt modules. Make sure you take the same reference edge at the links
- Divide measured link/module values by 10 to have the average. Record this value
- Subtract original chain pitch from measured chain pitch
- Divide difference by original chain pitch to get percent elongation



Example:

10 pitches of 828 measured 393.7 mm (15.5"); $393.7/10 = 39.37$ mm (1.55") pitch.

828 has a 38.1 mm (1.5") pitch, so $(39.37-38.1)/38.1 * 100\% = 3.33\%$

A2- REPLACEMENT CRITERIA:

- All belts and chains should be replaced when percent elongation exceeds 3%
- The chain or belt is jumping the sprocket. This typically begins at around 3% of elongation
- The hinge is worn to an extent that the pins are visible
- Conveyor is surging due to elongation, which is causing product handling issues

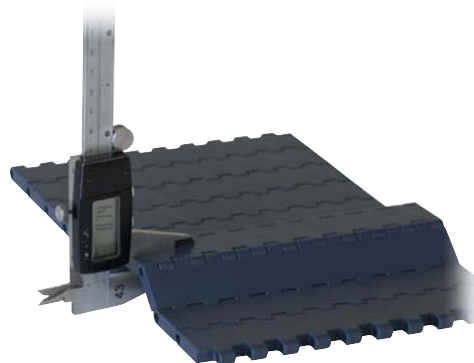
A3- CHAIN/BELT THICKNESS

Inspection device:

- Calliper gauge

Inspection method:

- Clean the links to be measured
- Measure 5 links
- Eliminate the smallest and the largest value
- Calculate the average out of the three remaining readings. Record this value



A4- REPLACEMENT CRITERIA

- Chains should be replaced when the flight thickness has been reduced by 50% of the original value
- Belts should be replaced when the module thickness has been reduced by 2 mm (0.08")
- The surface becomes uneven or scratched causing product stability problems
- Product handling issues are occurring



INSPECTION AND MAINTENANCE - General index 7 3 0 1 0 a -

◀ back continue ▶

7 3 0 1 5 a Parameters affecting service life	7 3 0 4 1 a Powerflex™ assembly instructions	7 3 0 5 2 a Bearing mounting instructions
7 3 0 1 7 a Cleaning and maintenance	7 3 0 4 5 a Installation procedure	7 3 0 5 8 a How to identify a curve
7 3 0 3 0 a Mounting and removal of belt	7 3 0 4 7 a Installation of curves	7 3 0 6 2 a Troubleshooting



Chains and sprockets	Wear strips	Side guide brackets and accessories	Levelers	Engineering manual
Modular belts and sprockets	Chain and belt return systems	Frame and structure supports	Bearing supports	
Curves and tracks	Side guide solutions	Miscellaneous products	Equipment	

7 3 0 2 5 a INSPECTION PROCEDURE AND REPLACEMENT CRITERIA



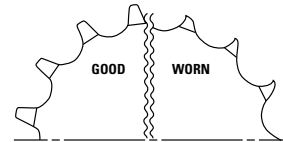
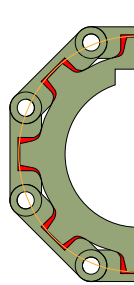
B - SPROCKET INSPECTION METHOD

B1- SPROCKET TEETH

Inspection method:

A visual check for:

- A proper engagement with chain/belt
- Worn teeth
- Embedded dirt, glass particles that cannot be removed



◀ back continue ▶

B2- REPLACEMENT CRITERIA:

- Sprocket teeth are worn, damaged, or have a hooked profile
- Chain is no longer engaging sprocket properly
- Chain/belt does not release well

B3- SPROCKET BORE AND KEYWAY

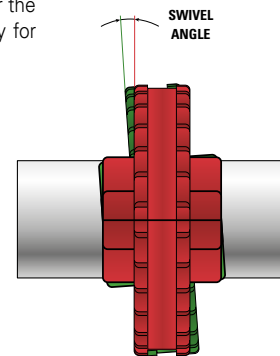
Check bore play against shaft: Feel the play just by moving the sprocket by hand. If the play is too big or the sprocket swivel angle is too much, double-check the play with a feeler gauge. Visual check of keyway for any damage.

Inspection device:

- Feeler gauge

Inspection method:

- Measure the play with the feeler gauge
- Calculate the average measured values. Record this value



B4- REPLACEMENT CRITERIA

- Sprocket is loose on drive shaft
- Bore of sprocket is worn out and sprocket starts to oscillate. Bore lays against shaft is over the limit value of 1 mm.
- Hub or keyway is damaged
- New chain/belt is installed



INSPECTION AND MAINTENANCE - General index 7 3 0 1 0 a -

◀ back continue ▶

- | | | |
|--|---|--|
| 7 3 0 1 5 a Parameters affecting service life | 7 3 0 4 1 a Powerflex™ assembly instructions | 7 3 0 5 2 a Bearing mounting instructions |
| 7 3 0 1 7 a Cleaning and maintenance | 7 3 0 4 5 a Installation procedure | 7 3 0 5 8 a How to identify a curve |
| 7 3 0 3 0 a Mounting and removal of belt | 7 3 0 4 7 a Installation of curves | 7 3 0 6 2 a Troubleshooting |



Chains and sprockets	Wear strips	Side guide brackets and accessories	Levelers	Engineering manual
Modular belts and sprockets	Chain and belt return systems	Frame and structure supports	Bearing supports	
Curves and tracks	Side guide solutions	Miscellaneous products	Equipment	

7 3 0 2 6 a INSPECTION PROCEDURE AND REPLACEMENT CRITERIA



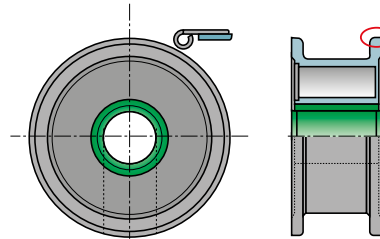
C - IDLER WHEEL INSPECTION METHOD

C1- IDLER EDGE

Inspection method:

A visual check for:

- proper engagement with chain/belt plates
- proper engagement with chain hinges/belt positioners
- uneven wear surfaces (indicates the wheel is not turning)



◀ back continue ▶

C2- IDLER BORE:

Check bore play against shaft: Feel the play just by moving the idler by hand. If the play is too big or the idler swivel angle is too much, double-check the play with a feeler gauge. Visual check for any other damage.

Inspection device:

- Feeler gauge.

Inspection method:

- Measure the play with the feeler gauge.
- Calculate the average measured values. Record this value.

C3- REPLACEMENT CRITERIA

- Idler edges are worn or damaged
- Idler is loose on drive shaft
- Bore of idler is worn out and idler starts to oscillate. Bore lays against shaft is over the limit value of 1.5 mm

D - WEARSTRIP INSPECTION METHOD

D1- WEARSTRIP THICKNESS

Inspection device:

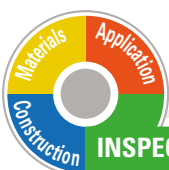
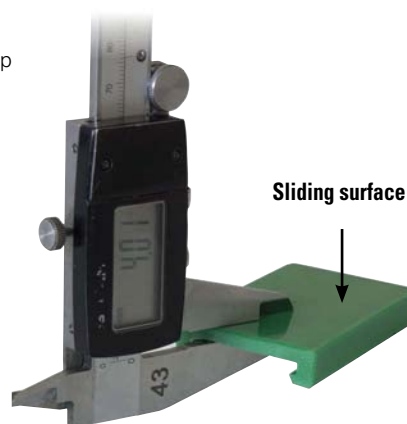
- Caliper gauge

Inspection method:

- Measure the thickness at the actual sliding surface of the wearstrip
- Calculate the average measured values. Record this value

D2- REPLACEMENT CRITERIA

- Thickness is reduced by 50% and stability problems occur
- Dirt or debris is embedded
- Fixing bolts protrude
- Plastic has become brittle



INSPECTION AND MAINTENANCE - General index 7 3 0 1 0 a -

◀ back continue ▶

7 3 0 1 5 a Parameters affecting service life	7 3 0 4 1 a Powerflex™ assembly instructions	7 3 0 5 2 a Bearing mounting instructions
7 3 0 1 7 a Cleaning and maintenance	7 3 0 4 5 a Installation procedure	7 3 0 5 8 a How to identify a curve
7 3 0 3 0 a Mounting and removal of belt	7 3 0 4 7 a Installation of curves	7 3 0 6 2 a Troubleshooting



Chains and sprockets	Wear strips	Side guide brackets and accessories	Levelers	Engineering manual
Modular belts and sprockets	Chain and belt return systems	Frame and structure supports	Bearing supports	
Curves and tracks	Side guide solutions	Miscellaneous products	Equipment	

7 3 0 2 7 a INSPECTION PROCEDURE AND REPLACEMENT CRITERIA



◀ back

E - CURVE INSPECTION METHOD

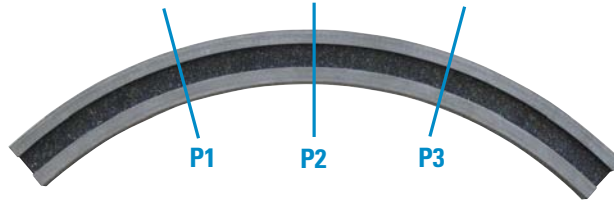
E1- MAGNETIC CURVE TRACK WIDTH

Inspection device:

- Caliper gauge

Inspection method:

- Clean the curve track
- Measure the width at the indicated point in figure (3 measurements at each point)
- Calculate the average measured values.
Record this value



E2- REPLACEMENT CRITERIA

- Chain is hanging over inside edge of curve (image 1)
- Tab, bevel or magnet is no longer securing chain in track
- Throat clearance has increased by 3/16" beyond design recommendations

Normal situation:
chain centered on the curve

Worn curve:
chain over the inside edge

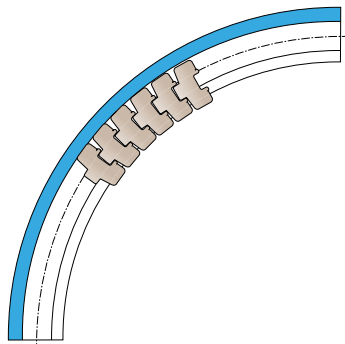
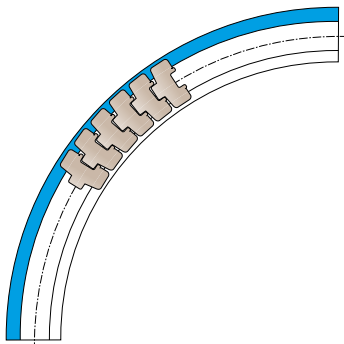


IMAGE 1

RECOMMENDATION

Record the average of measured values together with:

- Conveyor identification number (drive number)
- Date of the measurement
- Name of the person who measured
- Performed service hours of the chain/belt
- Performed service hours of the line



INSPECTION AND MAINTENANCE - General index 7 3 0 1 0 a -

◀ back

7 3 0 1 5 a Parameters affecting service life	7 3 0 4 1 a Powerflex™ assembly instructions	7 3 0 5 2 a Bearing mounting instructions
7 3 0 1 7 a Cleaning and maintenance	7 3 0 4 5 a Installation procedure	7 3 0 5 8 a How to identify a curve
7 3 0 3 0 a Mounting and removal of belt	7 3 0 4 7 a Installation of curves	7 3 0 6 2 a Troubleshooting



Chains and sprockets	Wear strips	Side guide brackets and accessories	Levelers	Engineering manual
Modular belts and sprockets	Chain and belt return systems	Frame and structure supports	Bearing supports	
Curves and tracks	Side guide solutions	Miscellaneous products	Equipment	



continue ►

7 3 0 3 0 a MOUNTING AND REMOVAL OF BELTS

GENERAL

We advise making a section of the guides easily removable to allow access to remove belt for inspection, maintenance or any other purpose. Alternatively, make a position on the conveyor where the belt can be easily removed.

For all belting, the set of tools shown below are required: a flat screwdriver (1) and a pin puncher (2) or gimlet (3).

1- FLAT SCREWDRIVER



The flat screwdriver size required can change based on the hinge diameter of the belt. For instance, the screwdriver needed to break a 2" pitch belt is wider than the one needed for breaking a ½" pitch belt due to the difference the hinge diameter.

For belt with slider shoe, a cross screwdriver is required.

2- PUNCH



A punch can be used to push the pin through the belt for easy removal. Alternatively, another pin can be used to push the pin through the belt.

3- GIMLET



We also recommend a self-tapping screw or a gimlet to catch the hole in the center of the pin. This will allow you to pull the pin free of the belt if you only have access from one side.

Note:

1. For the belt removal and mounting instructions pictures, we have considered only one belt series. The procedure is applicable for all versions of the same series. For instance, in the first example we have considered a 2120 flush grid belt, and though these instructions are applicable also for the flat top version of the same series 2120.
2. Depending on the belt length and width (so the overall belt weight), more than one operator may be needed to assemble and disassemble the belt.



INSPECTION AND MAINTENANCE - General index 7 3 0 1 0 a -

continue ►

7 3 0 1 5 a Parameters affecting service life	7 3 0 4 1 a Powerflex™ assembly instructions	7 3 0 5 2 a Bearing mounting instructions
7 3 0 1 7 a Cleaning and maintenance	7 3 0 4 5 a Installation procedure	7 3 0 5 8 a How to identify a curve
7 3 0 2 3 a Inspection procedure and replacement criteria	7 3 0 4 7 a Installation of curves	7 3 0 6 2 a Troubleshooting



Chains and sprockets	Wear strips	Side guide brackets and accessories	Levelers	Engineering manual
Modular belts and sprockets	Chain and belt return systems	Frame and structure supports	Bearing supports	
Curves and tracks	Side guide solutions	Miscellaneous products	Equipment	

7 3 0 3 1 a

MOUNTING AND REMOVING OF BELTS

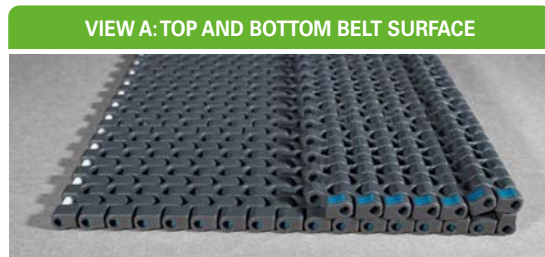


1/2" BELTS WITH NORMAL CLIP: SERIES 2120, 2121, 2122 & 2124

The clip system allows easy assembly and disassembly of the pins and modules. With a small flat screw driver, the clip can be removed. See below dismounting guidance:

◀ back continue ▶

DISASSEMBLY

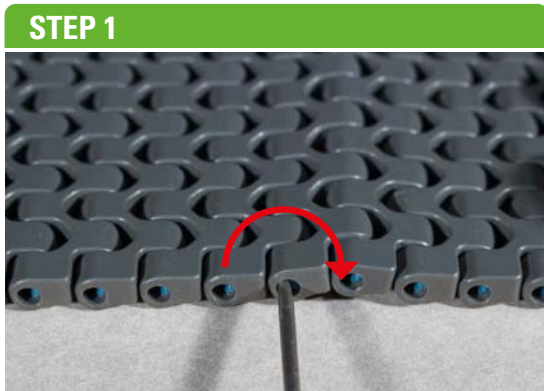


2120.
Go to product page:
3 0 0 5 0 a

2121.
Go to product page:
3 0 0 5 5 a

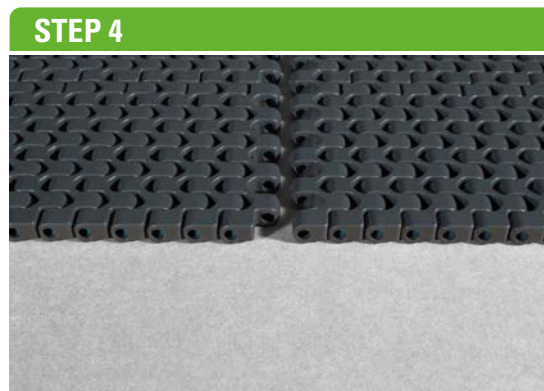
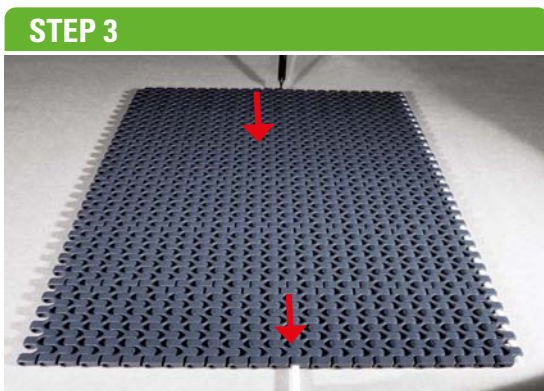
2122.
Go to product page:
3 0 0 7 3 a

2124.
Go to product page:
3 0 0 3 0 a



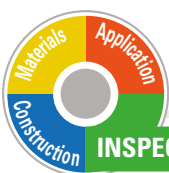
1 - Put the screwdriver in the pin hole/hinge and rotate (clockwise) as shown above.

2 - The clip is pushed off after screwdriver rotation. Collect the pin clip underneath the belt.



3 - With the help of the punch push out the pin. Alternatively, use a gimlet to pull the pin.

4 - The belt is completely open and can be removed from the conveyor for maintenance, inspection or other purposes.



INSPECTION AND MAINTENANCE - General index 7 3 0 1 0 a -

◀ back continue ▶

- 7 3 0 1 5 a** Parameters affecting service life
- 7 3 0 4 1 a** Powerflex™ assembly instructions
- 7 3 0 5 2 a** Bearing mounting instructions
- 7 3 0 1 7 a** Cleaning and maintenance
- 7 3 0 4 5 a** Installation procedure
- 7 3 0 5 8 a** How to identify a curve
- 7 3 0 2 3 a** Inspection procedure and replacement criteria
- 7 3 0 4 7 a** Installation of curves
- 7 3 0 6 2 a** Troubleshooting

Chains and sprockets	Wear strips	Side guide brackets and accessories	Levelers	Engineering manual
Modular belts and sprockets	Chain and belt return systems	Frame and structure supports	Bearing supports	
Curves and tracks	Side guide solutions	Miscellaneous products	Equipment	



1/2" BELTS WITH NORMAL CLIP: SERIES 2120, 2121, 2122 and 2124

ASSEMBLY

◀ back continue ▶

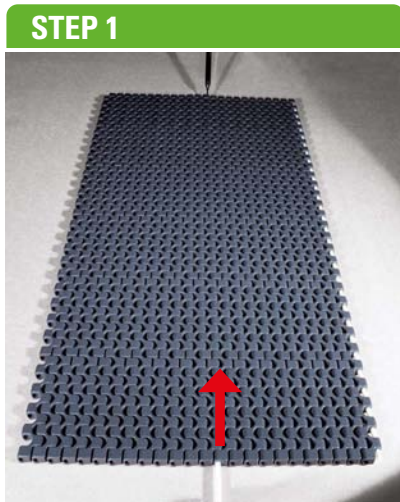


2120.
Go to product page:
3 0 0 5 0 a

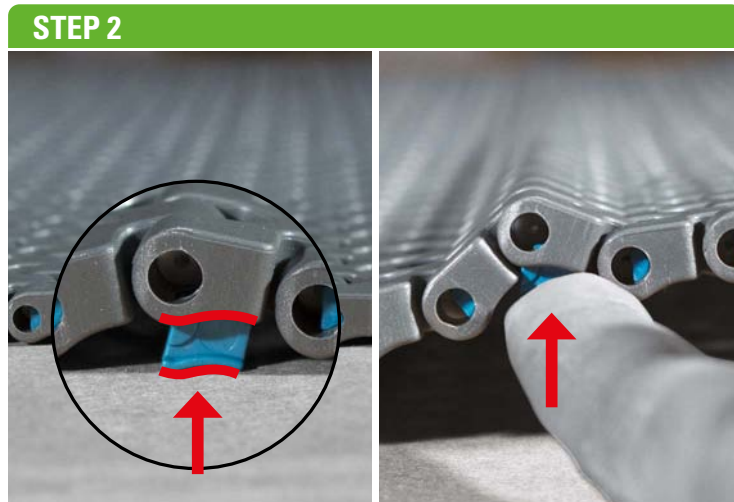
2121.
Go to product page:
3 0 0 5 5 a

2122.
Go to product page:
3 0 0 7 3 a

2124.
Go to product page:
3 0 0 3 0 a



1 - With the help of a small screwdriver/ punch, the pins can be pushed into the belt completely so that the clip can be installed.



2 - Insert the clip from the bottom and push up. Please follow the correct pin clip mounting alignment as above picture.



INSPECTION AND MAINTENANCE - General index 7 3 0 1 0 a -

◀ back continue ▶

- | | | |
|--|---|--|
| 7 3 0 1 5 a Parameters affecting service life | 7 3 0 4 1 a Powerflex™ assembly instructions | 7 3 0 5 2 a Bearing mounting instructions |
| 7 3 0 1 7 a Cleaning and maintenance | 7 3 0 4 5 a Installation procedure | 7 3 0 5 8 a How to identify a curve |
| 7 3 0 2 3 a Inspection procedure and replacement criteria | 7 3 0 4 7 a Installation of curves | 7 3 0 6 2 a Troubleshooting |



Chains and sprockets	Wear strips	Side guide brackets and accessories	Levelers	Engineering manual
Modular belts and sprockets	Chain and belt return systems	Frame and structure supports	Bearing supports	
Curves and tracks	Side guide solutions	Miscellaneous products	Equipment	

7 3 0 3 3 a

MOUNTING AND REMOVAL OF BELTS



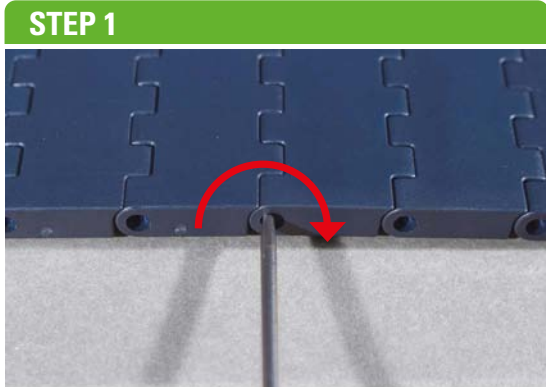
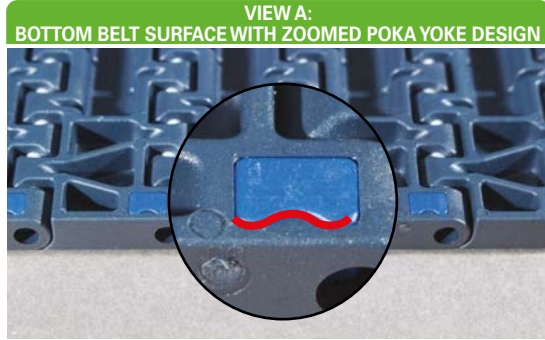
◀ back continue ▶

BELTS WITH POKA YOKE CLIP: SERIES 2250, 2251, 2252, 2253*

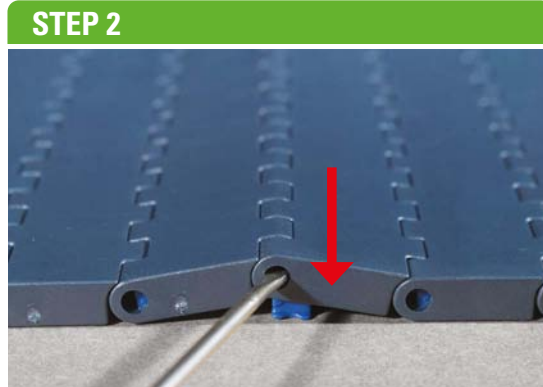
The clip system allows easy assembly and disassembly of the pins and modules. Furthermore, with our improved poka yoke (mistake-proof) design, the clip can be insert into the module in just one direction.

With a flat screw driver, the clip can be removed as below:

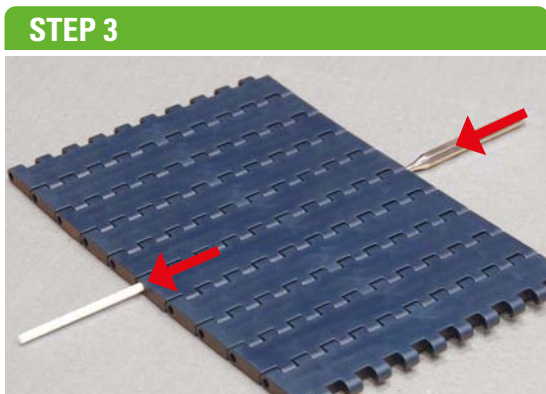
DISASSEMBLY



1 - Put the screwdriver in the pin hole/hinge and rotate (clockwise) as above picture.



2 - The clip is pushed off after screwdriver rotation. Collect the pin clip underneath the belt.



3 - With the help of the punch push out the pin. Alternatively, use a gimlet to pull the pin.



4 - The belt is completely open and can be removed from the conveyor for maintenance, inspection or other purposes.

2250.
Go to product page:
3 0 3 2 5 a

2251.
Go to product page:
3 0 4 4 0 a

2252.
Go to product page:
3 0 4 4 5 a

2253.
Go to product page:
3 0 3 3 0 a



* Series 2251, 2252 and 2253 didn't have the poka yoke clip. These belts are provided with the normal clip.

INSPECTION AND MAINTENANCE - General index 7 3 0 1 0 a -

◀ back continue ▶

7 3 0 1 5 a Parameters affecting service life

7 3 0 4 1 a Powerflex™ assembly instructions

7 3 0 5 2 a Bearing mounting instructions

7 3 0 1 7 a Cleaning and maintenance

7 3 0 4 5 a Installation procedure

7 3 0 5 8 a How to identify a curve

7 3 0 2 3 a Inspection procedure and replacement criteria

7 3 0 4 7 a Installation of curves

7 3 0 6 2 a Troubleshooting



Chains and sprockets	Wear strips	Side guide brackets and accessories	Levelers	Engineering manual
Modular belts and sprockets	Chain and belt return systems	Frame and structure supports	Bearing supports	
Curves and tracks	Side guide solutions	Miscellaneous products	Equipment	

7 3 0 3 4 a

MOUNTING AND REMOVAL OF BELTS



BELTS WITH POKA YOKE CLIP: SERIES 2250, 2251, 2252, 2253*

ASSEMBLY

◀ back continue ▶

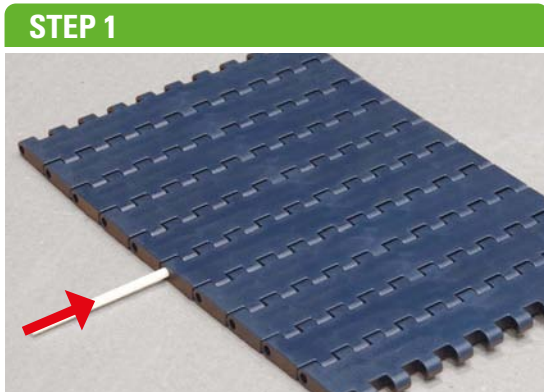


2250.
Go to product page:
3 0 3 2 5 a

2251.
Go to product page:
3 0 4 4 0 a

2252.
Go to product page:
3 0 4 4 5 a

2253.
Go to product page:
3 0 3 3 0 a



1 - With the help of a small screwdriver/punch, the pins can be pushed into the belt completely so that the clip can be installed.



2 - Insert the clip from the bottom and push up. Please follow the correct pin clip mounting alignment as above picture.

* Series 2251, 2252 and 2253 didn't have the poka yoke clip. These belts are provided with the normal clip.



INSPECTION AND MAINTENANCE - General index 7 3 0 1 0 a -

◀ back continue ▶

- | | | |
|--|---|--|
| 7 3 0 1 5 a Parameters affecting service life | 7 3 0 4 1 a Powerflex™ assembly instructions | 7 3 0 5 2 a Bearing mounting instructions |
| 7 3 0 1 7 a Cleaning and maintenance | 7 3 0 4 5 a Installation procedure | 7 3 0 5 8 a How to identify a curve |
| 7 3 0 2 3 a Inspection procedure and replacement criteria | 7 3 0 4 7 a Installation of curves | 7 3 0 6 2 a Troubleshooting |

Chains and sprockets	Wear strips	Side guide brackets and accessories	Levelers	Engineering manual
Modular belts and sprockets	Chain and belt return systems	Frame and structure supports	Bearing supports	
Curves and tracks	Side guide solutions	Miscellaneous products	Equipment	

7 3 0 3 5 a

MOUNTING AND REMOVAL OF BELTS



◀ back continue ▶

BELTS WITH SIDE CLIP:

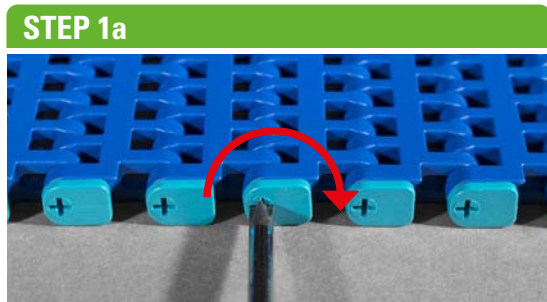
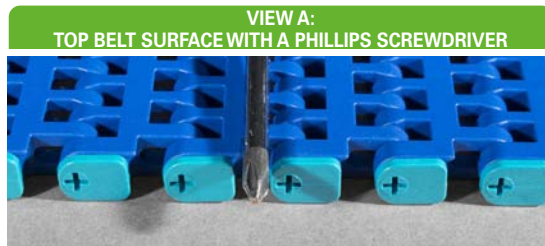
SERIES 2256 OR 2257 WITH SLIDER SHOE (CROSSED CLIP), POSITIONERS AND TAB

The clip system allows easy assembly and disassembly of the pins and modules.

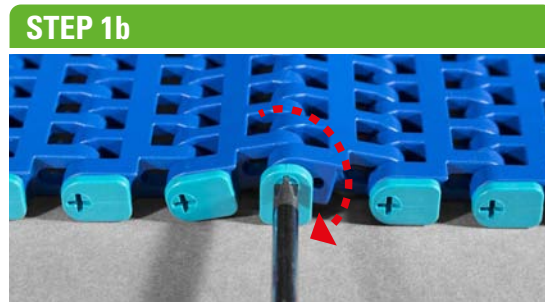
With a **Phillips head** screw driver, the clip can be removed. See below:

2256.
Go to product page:
3 0 7 3 0 a

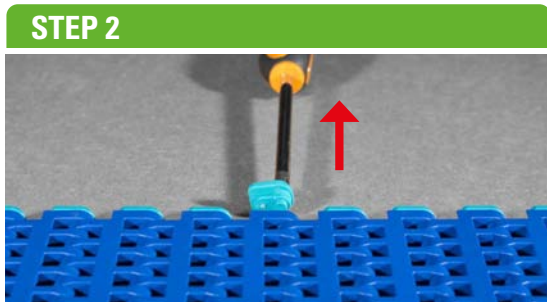
DISASSEMBLY



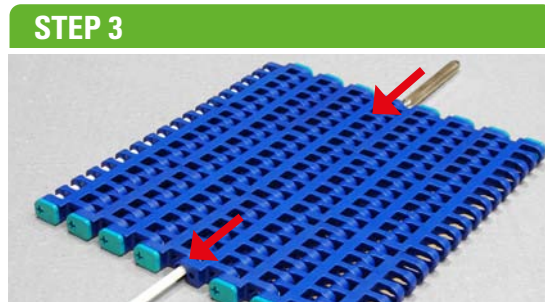
1a - Put the screwdriver in the crossed Clip and rotate (clockwise) as pictured above.



1b - Clip rotated 90°.



2 - The clip is pushed off after screwdriver rotation.



3 - Push out the pin.



4 - The belt is completely open and can be removed from the conveyor for maintenance, inspection or other purposes.



INSPECTION AND MAINTENANCE - General index 7 3 0 1 0 a -

◀ back continue ▶

7 3 0 1 5 a Parameters affecting service life

7 3 0 4 1 a Powerflex™ assembly instructions

7 3 0 5 2 a Bearing mounting instructions

7 3 0 1 7 a Cleaning and maintenance

7 3 0 4 5 a Installation procedure

7 3 0 5 8 a How to identify a curve

7 3 0 2 3 a Inspection procedure and replacement criteria

7 3 0 4 7 a Installation of curves

7 3 0 6 2 a Troubleshooting



Chains and sprockets	Wear strips	Side guide brackets and accessories	Levelers	Engineering manual
Modular belts and sprockets	Chain and belt return systems	Frame and structure supports	Bearing supports	
Curves and tracks	Side guide solutions	Miscellaneous products	Equipment	

7 3 0 3 6 a

MOUNTING AND REMOVAL OF BELTS



BELTS WITH SIDE CLIP:

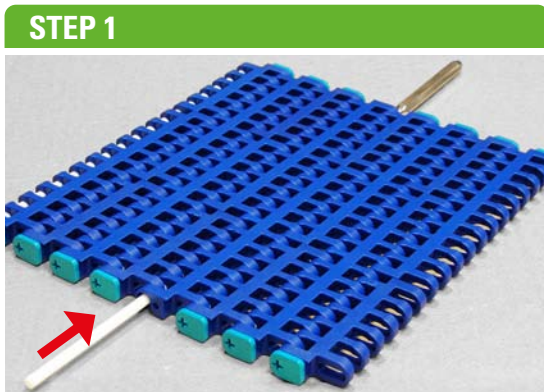
SERIES 2256 or 2257 WITH SLIDER SHOE (CROSSED CLIP), POSITIONERS AND TAB

◀ back continue ▶

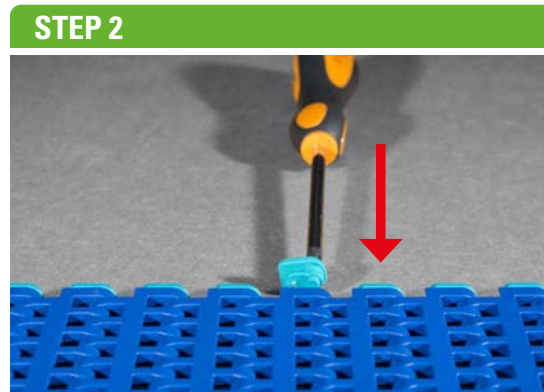
ASSEMBLY



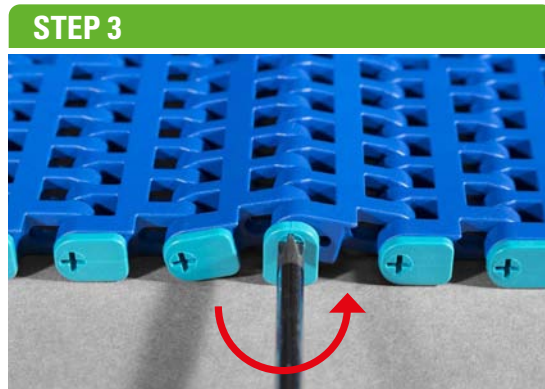
2256.
Go to product page:
3 0 7 3 0 a



1 - With the help of a small screwdriver/punch, the pins can be pushed into the belt completely so that the clip can be installed.



2 - Insert the clip from the side and push following red arrow direction. Perform the same operation on the opposite side.



3 - Rotate (counterclockwise). Perform the same operation on the opposite side.



For the C, T and TP version of the series 2256 or 2257, the instructions are the same. The only change is the tools to disassemble the belts. For instance, to dismount/mount the C version, a flat screwdriver is required; for TP version, pliers are required.

INSPECTION AND MAINTENANCE - General index 7 3 0 1 0 a -

◀ back continue ▶

- 7 3 0 1 5 a** Parameters affecting service life
- 7 3 0 4 1 a** Powerflex™ assembly instructions
- 7 3 0 5 2 a** Bearing mounting instructions
- 7 3 0 1 7 a** Cleaning and maintenance
- 7 3 0 4 5 a** Installation procedure
- 7 3 0 5 8 a** How to identify a curve
- 7 3 0 2 3 a** Inspection procedure and replacement criteria
- 7 3 0 4 7 a** Installation of curves
- 7 3 0 6 2 a** Troubleshooting



Chains and sprockets	Wear strips	Side guide brackets and accessories	Levelers	Engineering manual
Modular belts and sprockets	Chain and belt return systems	Frame and structure supports	Bearing supports	
Curves and tracks	Side guide solutions	Miscellaneous products	Equipment	

7 3 0 3 7 a

MOUNTING AND REMOVAL OF BELTS

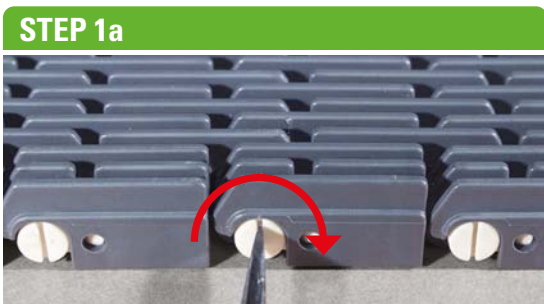
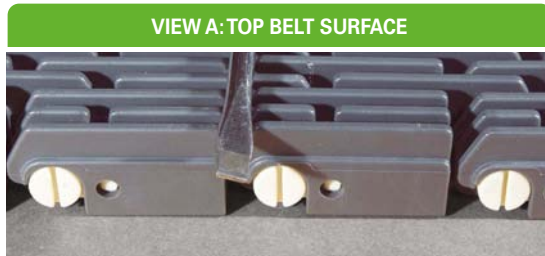


2" BELT 2500 RR

DISASSEMBLY

◀ back continue ▶

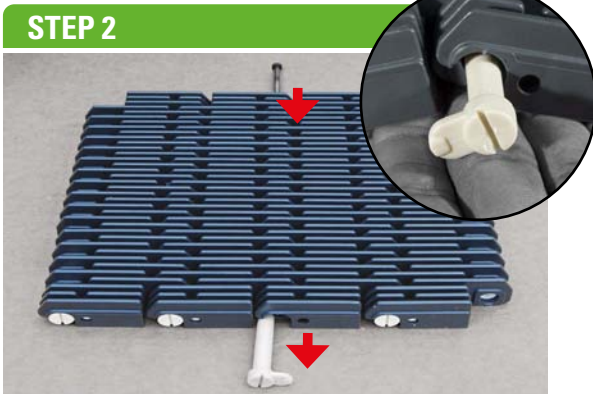
2500RR.
Go to product page:
3 0 6 1 0 a



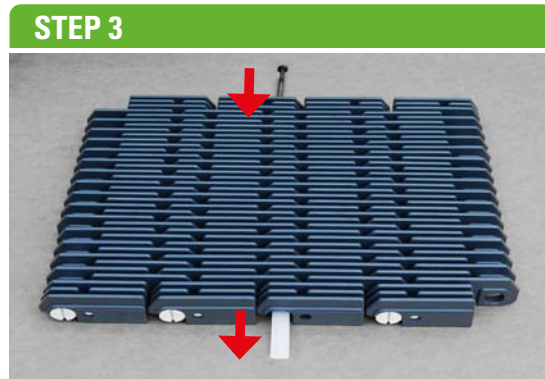
1a - Put the screwdriver in the pin-clip and rotate (clockwise) as pictured above.



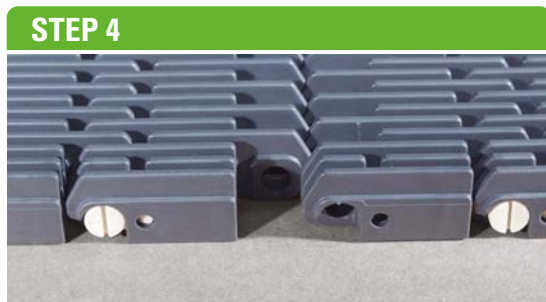
1b - Pin-clip rotated 90°.



2 - The pin clip is pushed off after screwdriver rotation. Repeat same operations (step 1A-1B-2) for the opposite side.



3 - Push out the pin.



4 - The belt is completely open and can be removed from the conveyor for maintenance, inspection or other purposes.



INSPECTION AND MAINTENANCE - General index 7 3 0 1 0 a -

◀ back continue ▶

- | | | |
|--|---|--|
| 7 3 0 1 5 a Parameters affecting service life | 7 3 0 4 1 a Powerflex™ assembly instructions | 7 3 0 5 2 a Bearing mounting instructions |
| 7 3 0 1 7 a Cleaning and maintenance | 7 3 0 4 5 a Installation procedure | 7 3 0 5 8 a How to identify a curve |
| 7 3 0 2 3 a Inspection procedure and replacement criteria | 7 3 0 4 7 a Installation of curves | 7 3 0 6 2 a Troubleshooting |



Chains and sprockets	Wear strips	Side guide brackets and accessories	Levelers	Engineering manual
Modular belts and sprockets	Chain and belt return systems	Frame and structure supports	Bearing supports	
Curves and tracks	Side guide solutions	Miscellaneous products	Equipment	

7 3 0 3 8 a

MOUNTING AND REMOVAL OF BELTS

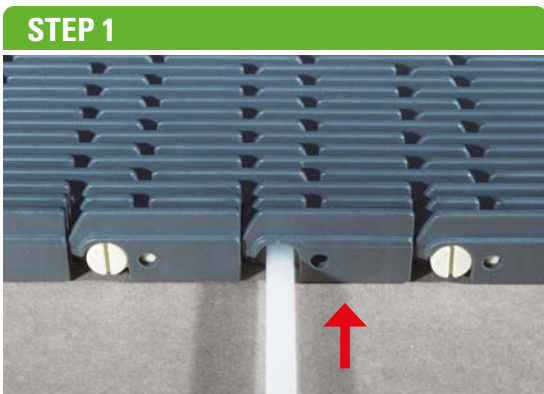


2" BELT 2500 RR

ASSEMBLY

◀ back continue ▶

2500RR.
Go to product page:
3 0 6 1 0 a



1 - Insert the pin inside the hinge



2 - Insert the pin-clip inside the hinge. Push till end position following red arrow direction.



3 - Rotate (counterclockwise)



4 - Clip completely rotated. The belt is now closed.



INSPECTION AND MAINTENANCE - General index 7 3 0 1 0 a -

◀ back continue ▶

7 3 0 1 5 a Parameters affecting service life

7 3 0 4 1 a Powerflex™ assembly instructions

7 3 0 5 2 a Bearing mounting instructions

7 3 0 1 7 a Cleaning and maintenance

7 3 0 4 5 a Installation procedure

7 3 0 5 8 a How to identify a curve

7 3 0 2 3 a Inspection procedure and replacement criteria

7 3 0 4 7 a Installation of curves

7 3 0 6 2 a Troubleshooting



Chains and sprockets	Wear strips	Side guide brackets and accessories	Levelers	Engineering manual
Modular belts and sprockets	Chain and belt return systems	Frame and structure supports	Bearing supports	
Curves and tracks	Side guide solutions	Miscellaneous products	Equipment	

7 3 0 3 9 a

MOUNTING AND REMOVAL OF BELTS

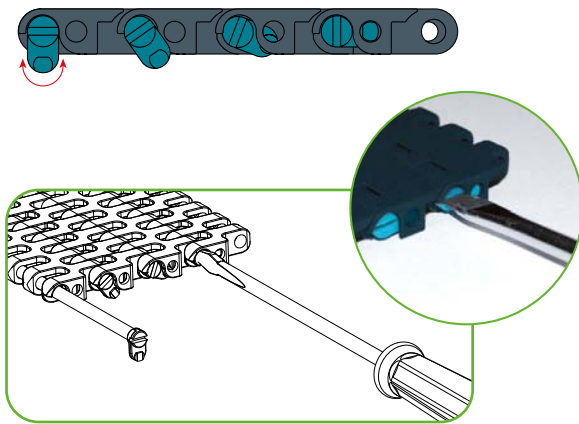


◀ back

Below assembly and disassembly instructions are applicable for belt series 2190. In this case we have one step less due to one piece pinclip.

2190

With a sufficiently large flat screw driver, the pin clip can be twisted and removed. See below:



2190.
Go to product page:

3 0 2 1 0 a



INSPECTION AND MAINTENANCE - General index 7 3 0 1 0 a -

◀ back

- | | | |
|--|---|--|
| 7 3 0 1 5 a Parameters affecting service life | 7 3 0 4 1 a Powerflex™ assembly instructions | 7 3 0 5 2 a Bearing mounting instructions |
| 7 3 0 1 7 a Cleaning and maintenance | 7 3 0 4 5 a Installation procedure | 7 3 0 5 8 a How to identify a curve |
| 7 3 0 2 3 a Inspection procedure and replacement criteria | 7 3 0 4 7 a Installation of curves | 7 3 0 6 2 a Troubleshooting |



Chains and sprockets	Wear strips	Side guide brackets and accessories	Levelers	Engineering manual
Modular belts and sprockets	Chain and belt return systems	Frame and structure supports	Bearing supports	
Curves and tracks	Side guide solutions	Miscellaneous products	Equipment	



7 3 0 4 1 a **POWERFLEX™ BELTS ASSEMBLY INSTRUCTIONS**

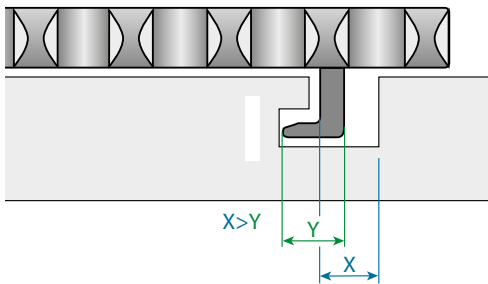
SIDEFLEXING BELTS

MOUNTING AND REMOVAL

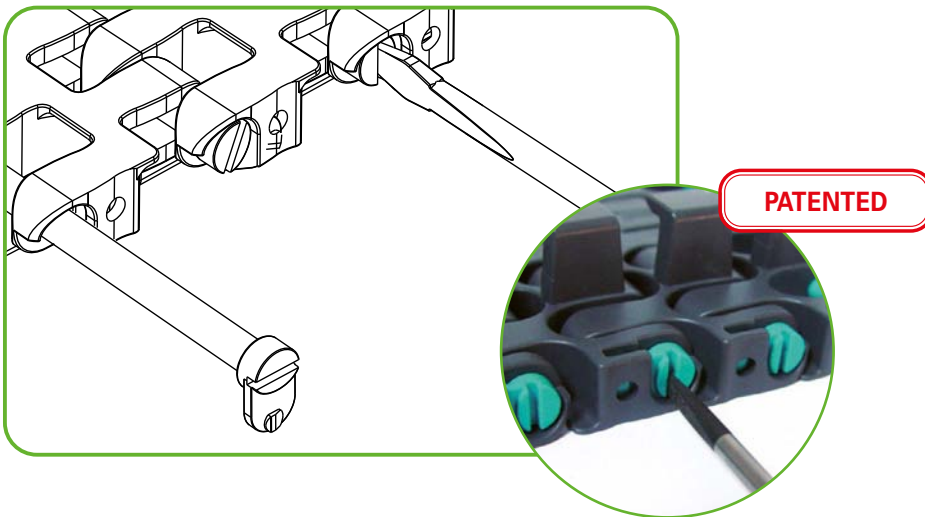
We advise to make part of the guides easy to remove to be able to take the belt out easily for inspection, maintenance or any other purpose or to make a position on the conveyor where the Powerflex™ belt can be easily removed.

Keep enough room in TAB track to be able to move the belt to the outside and lift the TAB out of the track. See below:

2351-2451
2551-2651.
Go to product page:
3 0 7 4 5 a



The patented clip system allows for very easy mounting and dismounting of the pins and modules. With a sufficiently large flat screw driver, the pin clip can be twisted and removed. See below:



INSPECTION AND MAINTENANCE - General index 7 3 0 1 0 a -

- 7 3 0 1 5 a** Parameters affecting service life
- 7 3 0 4 5 a** Installation procedure
- 7 3 0 6 2 a** Troubleshooting
- 7 3 0 1 7 a** Cleaning and maintenance
- 7 3 0 5 2 a** Bearing mounting instructions
- 7 3 0 2 3 a** Inspection procedure and replacement criteria
- 7 3 0 5 8 a** How to identify a curve



Chains and sprockets	Wear strips	Side guide brackets and accessories	Levelers	Engineering manual
Modular belts and sprockets	Chain and belt return systems	Frame and structure supports	Bearing supports	
Curves and tracks	Side guide solutions	Miscellaneous products	Equipment	

7 3 0 4 3 a

2253RT ASSEMBLY INSTRUCTIONS

2253 ROLLER TOP BELT

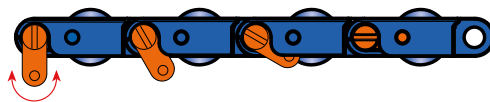


DISCONNECTING AND RECONNECTING OF THE BELT

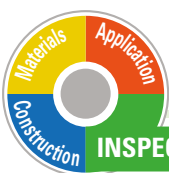
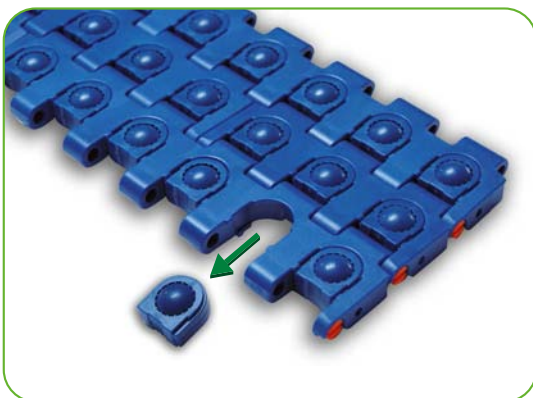
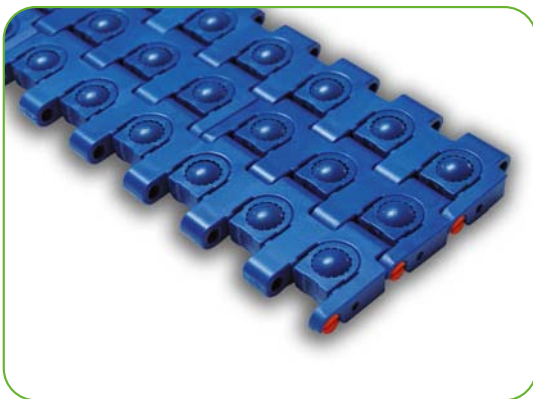
Follow the procedure below to disconnect and /or reconnect the belt when installing the conveyor or performing maintenance.

1) PROCEDURE FOR DISCONNECTING AND RECONNECTING

Open the clip with a screwdriver by rotating about 90 degrees. And then remove and push out the pin on the opposite site to disconnect the modules.



2) PROCEDURE FOR CHANGING THE BALLS OR THE RETAINERS



INSPECTION AND MAINTENANCE - General index 7 3 0 1 0 a -

7 3 0 1 5 a Parameters affecting service life

7 3 0 4 5 a Installation procedure

7 3 0 1 7 a Cleaning and maintenance

7 3 0 5 2 a Bearing mounting instructions

7 3 0 2 3 a Inspection procedure and replacement criteria

7 3 0 6 2 a Troubleshooting

Chains and sprockets	Wear strips	Side guide brackets and accessories	Levelers	Engineering manual
Modular belts and sprockets	Chain and belt return systems	Frame and structure supports	Bearing supports	
Curves and tracks	Side guide solutions	Miscellaneous products	Equipment	



7 3 0 4 5 a **INSTALLATION PROCEDURE**

1. Check all sprockets, idlers, turn discs and rollers for proper elevation and alignment
 - a. Ensure sprocket and chain series are compatible
 - b. Check shaft drop for proper height adjustment (see section **7 2 1 3 0 a**)
 - c. Ensure sprocket is properly aligned in chain/belt sprocket pocket
 - d. Wider belts, ensure all but one or two drive sprockets are allowed to float to accommodate belt expansion. Center sprockets should be locked down.**
2. Use a small section of chain to run through conveyor frame to look for catch points
 - a. Check all wear strips (carry and return), dead plates, mounting hardware dividers and transfers mechanism for proper location, elevation, spacing and flatness
 - I. Adjust or chamfer any transitions where the section does not pass through smoothly
 - II. This will also help to find any obstructions
3. Check all fasteners for proper tightness (torque). Fasteners used on wear strips and dead plates must have recessed heads
 - a. Use lock washers where appropriate to prevent hardware from coming loose
4. Check all conveyor splice points for proper elevation, alignment and fastening
 - a. Use lock washers where appropriate to prevent hardware from coming loose
5. Check lubrication system (if present)
6. Install conveyor chain, assuring that the following has been done:
 - a. Check for correct direction of chain travel
 - I. Outer eyes forward or "tail in the back" on Table Top chain
 - II. Modular belts are often bidirectional, but refer to catalog for preferred direction of travel
 - b. Assemble chain in 10 ft (3,05 m) sections and avoid twisting or damaging the chain
 - I. Do not drag uncoiled chain across floor - this will pick up debris, reducing overall conveyor life
 - II. Be careful not to over-backflex the chains or belts during installation
 - c. Connect chain sections on the conveyor. Make sure that the connecting pins are not protruding, and clips are properly inserted
 - d. Adjust chain catenary (sag) to the proper elevation. Note: readjustment is usually necessary after a certain operating time.
 - I. General rule of thumb: tension chain or belt as tightly as you can by hand - do not use additional mechanical forces to tension
7. If using lubrication, ensure that lubricant is evenly dispersed through conveyor system
8. Start conveyor by jogging and/or using short running periods before loading the system. Be alert to unusual noises or actions such as jumping, "ticking" or shifting. If a problem should occur, refer to the troubleshooting guide
9. Check the catenary sag (refer to section **7 2 1 4 0 b**)
 - a. Catenary should be adjusted ~ 2-weeks after installation as the chain breaks in from operation
 - b. System Plast chains / modular belts should never be run under excessive tension
 - c. The catenary sag should be measured when running with product
 - d. If the catenary sag is excessive or increases due to normal wear, it should be adjusted regularly by removing links to obtain the proper sag



INSPECTION AND MAINTENANCE - General index 7 3 0 1 0 a -

- | | | |
|--|---|--|
| 7 3 0 1 5 a Parameters affecting service life | 7 3 0 3 0 a Mounting and removal of belt | 7 3 0 5 2 a Bearing mounting instructions |
| 7 3 0 1 7 a Cleaning and maintenance | 7 3 0 4 1 a Powerflex™ assembly instructions | 7 3 0 5 8 a How to identify a curve |
| 7 3 0 2 3 a Inspection procedure and replacement criteria | 7 3 0 4 7 a Installation of curves | 7 3 0 6 2 a Troubleshooting |

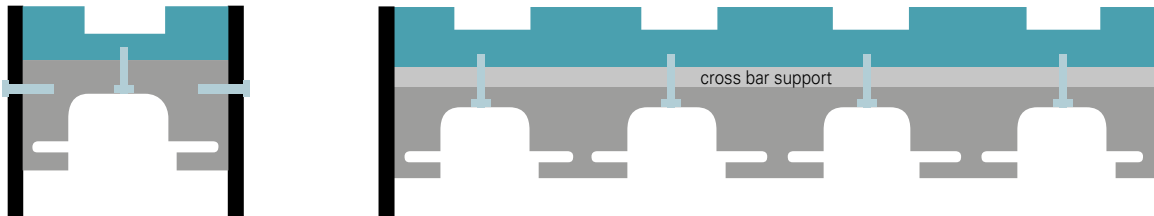


Chains and sprockets	Wear strips	Side guide brackets and accessories	Levelers	Engineering manual
Modular belts and sprockets	Chain and belt return systems	Frame and structure supports	Bearing supports	
Curves and tracks	Side guide solutions	Miscellaneous products	Equipment	



continue ►

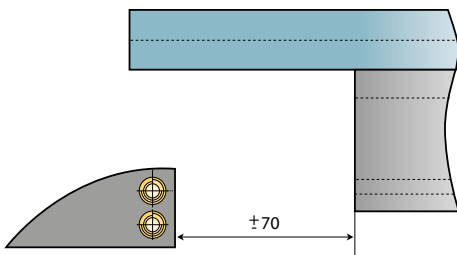
STANDARD CURVE SYSTEMS



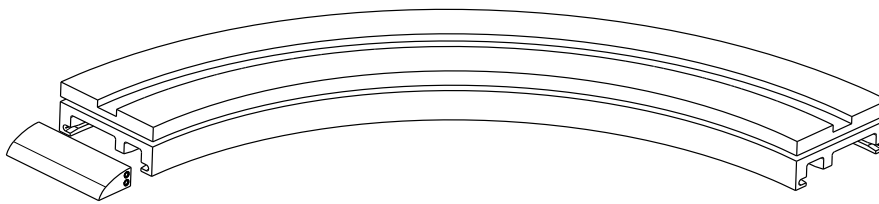
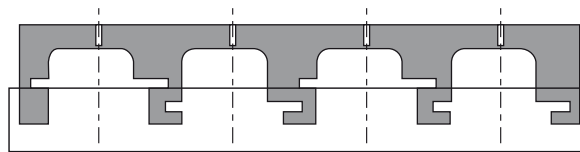
Curves are generally mounted between stainless steel frames and fastened with screws. Alternatively, bolts may be used if optional threaded inserts are specified for the curves.

For curves wider than 3 tracks we recommend to using cross bar supports to prevent the curve from deflecting under load.

For trouble-free infeed of the chains into the return, Return Guide Shoes mounted at the infeed of the return part of the curve are recommended



In case of staggered return, position return guide shoe level to top track:



continue ►

- | | | |
|--|---|--|
| 7 3 0 1 5 a Parameters affecting service life | 7 3 0 3 0 a Mounting and removal of belt | 7 3 0 5 2 a Bearing mounting instructions |
| 7 3 0 1 7 a Cleaning and maintenance | 7 3 0 4 1 a Powerflex™ assembly instructions | 7 3 0 5 8 a How to identify a curve |
| 7 3 0 2 3 a Inspection procedure and replacement criteria | 7 3 0 4 5 a Installation procedure | 7 3 0 6 2 a Troubleshooting |



Chains and sprockets	Wear strips	Side guide brackets and accessories	Levelers	Engineering manual
Modular belts and sprockets	Chain and belt return systems	Frame and structure supports	Bearing supports	
Curves and tracks	Side guide solutions	Miscellaneous products	Equipment	

7 3 0 5 0 a

INSTALLATION OF CURVES

TOPTRAC® CONVEYOR MAGNETIC CURVES INSTALLATION INSTRUCTIONS



◀ back



CAUTION : PPE

NEEDED TOOLS:

4,5 mm

	Step 1: Clean up the curve following your standard procedures.		Step 2: Place the flat-head screwdriver between flat surface of the profile and the curve then lift it up. TAKE CARE TO NOT DAMAGE THE CURVE.
	Step 3: Insert the screwdriver underneath the profile and lift it up. TAKE CARE TO NOT DAMAGE THE CURVE.		Step 4: Pull out the profile.
	Step 5: Remove possible dirt or debris from the T groove.		Step 6: DO NOT REMOVE DOWEL PINS.
	Step 7: Clip on the profile properly aligned to the side of the curve and verify that lips are opened by the dowel pin.		Step 8: Clip on the entire profile by using a rubber / plastic hammer ONLY.
	Step 9: Cut the profile with scissors (preferred) or with a safety utility knife. Make sure that the cut end of the profile is properly aligned to the side of the curve. SCISSORS AVAILABLE ON SmartGuide® CATALOGUE.		Step 10: Check flatness (maximum admitted 0,5 mm).



INSPECTION AND MAINTENANCE - General index 7 3 0 1 0 a -

◀ back

- [7 3 0 1 5 a](#) Parameters affecting service life
- [7 3 0 3 0 a](#) Mounting and removal of belt
- [7 3 0 5 2 a](#) Bearing mounting instructions
- [7 3 0 1 7 a](#) Cleaning and maintenance
- [7 3 0 4 1 a](#) Powerflex™ assembly instructions
- [7 3 0 5 8 a](#) How to identify a curve
- [7 3 0 2 3 a](#) Inspection procedure and replacement criteria
- [7 3 0 4 5 a](#) Installation procedure
- [7 3 0 6 2 a](#) Troubleshooting



Chains and sprockets	Wear strips	Side guide brackets and accessories	Levelers	Engineering manual
Modular belts and sprockets	Chain and belt return systems	Frame and structure supports	Bearing supports	
Curves and tracks	Side guide solutions	Miscellaneous products	Equipment	

7 3 0 5 2 a

BEARINGS MOUNTING INSTRUCTIONS

LOCKING WITH GRUB SCREW AND ECCENTRIC RING



continue ►

Bearing selection.
Go to:
7 3 5 4 2 a

NOTES:

1. Additional bearing installation, relubrication and maintenance instructions can be found on our website: <https://www.regalpts.com/resources/literature>
2. The bearing is pre-lubricated with an H1 grade, synthetic base oil, complex calcium sulfonate soap thickener NLGI 2 grease. Re-greasing is not required during installation. When re-greasing, we recommend re-greasing with a compatible grease. When feasible the bearing should be rotated while re-greasing for a better distribution of the grease.
3. Bearing assemblies are supplied with a lubrication fitting installed in the housing and may contain a plug supplied loose in the bag or box. If you want to make the bearing assembly non-re-greaseable, remove the lubrication fitting and install the plug. In general, re-greasing will help promote operating bearing life. For more details refer to Lubrication chapter at **7 3 0 5 4 a**

INSTALLATION STEPS

STEP 1: INSPECT SHAFT AND BORE

Shaft should be within tolerance range shown in Table 1, clean and free of nicks and burrs.

1. Mount bearing on unused section of shafting or repair/ replace shafting as required.
2. Inspect both the shaft and bearing bore for debris or contaminants. Wipe clean as necessary.



TABLE 1

SHAFT DIAMETER	SHAFT TOLERANCE
1/2" to 1 1/2"	Nominal to -.0005"
12mm to 40mm	Nominal to -.013mm

STEP 2: CHECK SUPPORT SURFACES

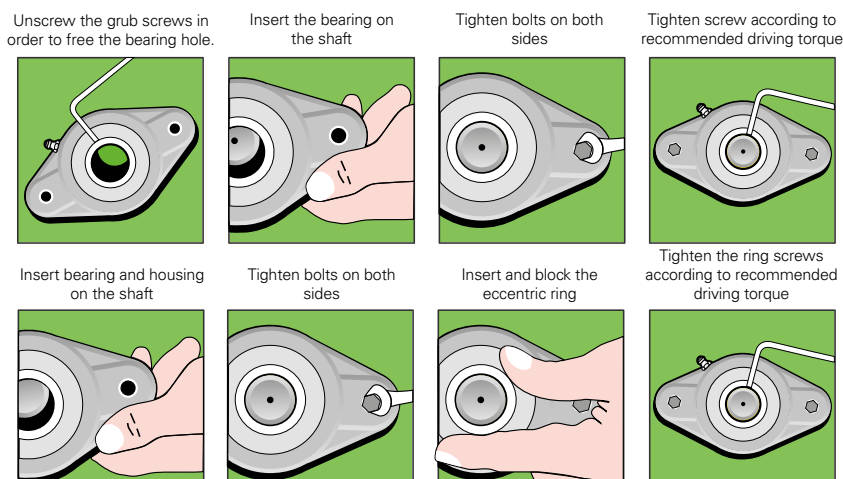
Make sure the base of the housing and the support surfaces are clean and free from burrs. If the housing elevation is adjusted with shims these must cover the entire contact area between the housing and the support surface.

STEP 3: INSTALL UNIT

To aid installation, keep weight off bearing during mounting. Slide unit onto shaft by pushing on the inner ring. If it is difficult to mount bearing on shaft, use a piece of emery cloth to reduce high spots on shaft.

STEP 4: FASTEN UNIT IN PLACE

Install housing mounting bolts and check bearing alignment. Align the bearing units as closely as possible. Tighten mounting bolts to recommended fastener torques. Check the shaft for freedom of rotation by rotating shaft with hand in both directions.



STEP 5: TIGHTEN LOCKING MECHANISM. 7 3 0 5 3 a



INSPECTION AND MAINTENANCE - General index 7 3 0 1 0 a -

continue ►

- | | | |
|--|---|--|
| 7 3 0 1 5 a Parameters affecting service life | 7 3 0 3 0 a Mounting and removal of belt | 7 3 0 4 7 a Installation of curves |
| 7 3 0 1 7 a Cleaning and maintenance | 7 3 0 4 1 a Powerflex™ assembly instructions | 7 3 0 5 8 a How to identify a curve |
| 7 3 0 2 3 a Inspection procedure and replacement criteria | 7 3 0 4 5 a Installation procedure | 7 3 0 6 2 a Troubleshooting |



Chains and sprockets	Wear strips	Side guide brackets and accessories	Levelers	Engineering manual
Modular belts and sprockets	Chain and belt return systems	Frame and structure supports	Bearing supports	
Curves and tracks	Side guide solutions	Miscellaneous products	Equipment	



7 3 0 5 3 a

BEARINGS MOUNTING INSTRUCTIONS

LOCKING WITH GRUB SCREW AND ECCENTRIC RING

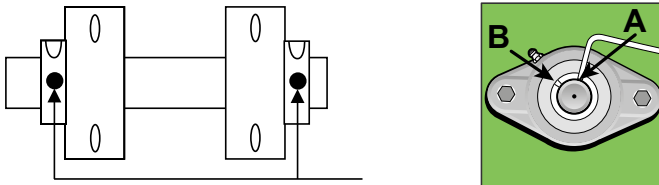
◀ back continue ▶

INSTALLATION STEPS

STEP 5: TIGHTEN LOCKING MECHANISM

a. Setscrew (Grub screw) Locking Inserts

Setscrews (Grub screws) in multiple bearing applications should be aligned as shown.



Bearing selection.

Go to:

7 3 5 4 2 a

Tighten bearing units to the shaft as follows:

1. Torque first setscrew (grub screw) "A" to one half the recommended torque in table 2 or 3.
2. Torque the second setscrew (grub screw) "B" to the full recommend torque in table 2 or 3. Go back to "A" and tighten to full recommend torque.

TABLE 2A AND 2B / AISI 52100 CHROME STEEL SETSCREW (GRUB SCREW) LOCKING

BORE DIAMETER	SETSCREW (GRUB SCREW)	RECOMMENDED TORQUE	
		Nm	in-lbs
12, 15, 16, 17	M5x0.8	3.4	30
20, 25, 30	M6x1	5.4	48
35, 40	M8x1	11.3	100

BORE DIAMETER	SETSCREW (GRUB SCREW)	RECOMMENDED TORQUE	
		Nm	in-lbs
3/4, 1, 1 3/16, 1 1/4R, 1 1/4	1/4"-28	5.4	48
1 7/16, 1 1/2	5/16"-24	11.3	100

TABLE 3A AND 3B / 400 SERIES STAINLESS SETSCREW (GRUB SCREW) LOCKING

BORE DIAMETER	SETSCREW (GRUB SCREW)	RECOMMENDED TORQUE	
		Nm	in-lbs
20, 25, 30	M6x0.75	5.4	48
35, 40	M8x1	11.3	100

BORE DIAMETER	SETSCREW (GRUB SCREW)	RECOMMENDED TORQUE	
		Nm	in-lbs
3/4, 1, 1 3/16, 1 1/4R, 1 1/4	1/4"-28	5.4	48
1 1/4, 1 7/16, 1 1/2	5/16"-24	11.3	100

B. ECCENTRIC LOCKING INSERTS

1. Place collar on inner race and rotate by hand in direction of shaft rotation until eccentrics are engaged.
2. Use Spanner Wrench (as shown) or insert drift pin into the hole in the collar O.D. "B" and lock in direction of shaft rotation with the aid of small hammer.
3. Toque single setscrew (grub screw) "A" to recommended torque in Table 4.

Check shaft again for freedom of rotation and then tighten the second bearing unit in the same fashion. When all bearings are tightened, perform a final check to the shaft for freedom of rotation.

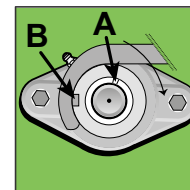
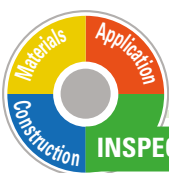


TABLE 4A AND 4B / AISI 52100 CHROME STEEL ECCENTRIC LOCKING

BORE DIAMETER	SETSCREW (GRUB SCREW)	RECOMMENDED TORQUE	
		Nm	in-lbs
12, 15, 16, 17, 20, 25	M6x1	5.4	48
30, 35, 40	M8x1	11.3	100

BORE DIAMETER	SETSCREW (GRUB SCREW)	RECOMMENDED TORQUE	
		Nm	in-lbs
3/4, 1	1/4"-28	5.4	48
1 3/16, 1 1/4, 1 7/16, 1 1/2	5/16"-24	11.3	100



For other installation instructions. Go to: **7 3 0 4 5 a**

INSPECTION AND MAINTENANCE - General index 7 3 0 1 0 a -

◀ back continue ▶

7 3 0 1 5 a Parameters affecting service life

7 3 0 3 0 a Mounting and removal of belt

7 3 0 4 7 a Installation of curves

7 3 0 1 7 a Cleaning and maintenance

7 3 0 4 1 a Powerflex™ assembly instructions

7 3 0 5 8 a How to identify a curve

7 3 0 2 3 a Inspection procedure and replacement criteria

7 3 0 4 5 a Installation procedure

7 3 0 6 2 a Troubleshooting



Chains and sprockets	Wear strips	Side guide brackets and accessories	Levelers	Engineering manual
Modular belts and sprockets	Chain and belt return systems	Frame and structure supports	Bearing supports	
Curves and tracks	Side guide solutions	Miscellaneous products	Equipment	

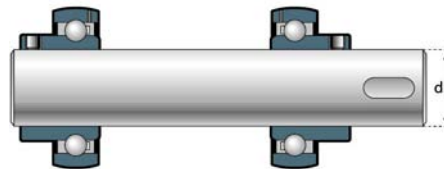


◀ back continue ▶

PLAIN SHAFT

SUPPORTS FOR SHAFTS WITH CONSTANT DIAMETER (PLAIN) HAVE MAIN CHARACTERISTICS:

- Compensation for mistakes in alignment.
- Adaptability to shaft deflections.
- Resistance against chemical agents.
- Support of radial loads.
- Support of light axial loads.
- High load capacity.

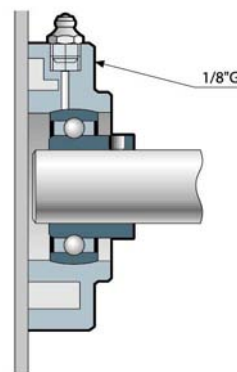


Bearing selection.
Go to:
7 3 5 4 2 a

LUBRICATION AND MAINTENANCE

Bearing assemblies are supplied with a lubrication fitting installed in the housing and may contain a plug supplied loose in the bag or box. If you want to make the bearing assembly non-greaseable, remove the lubrication fitting and install the plug. In general, re-greasing will help promote operating bearing life.

SUPPORT TYPE	GREASE-NIPPLE TYPE
CL..	M6
CS..	M6
SQL..	M6
UCF..	1/8" GAS
UCFB..	M6
UCFG..	M6
UCFH..	M6
UCFL..	1/8" GAS
UCFO..	M6
UCHE..	M6
UCP..	M6
UCPA..	M6
UCT..	M6
UCTT..	M6



TYPE OF LUBRICANT

The bearing is pre-lubricated with an H1 grade, synthetic base oil, complex calcium sulfonate soap thickener NLGI 2 grease. Re-greasing is not required during installation. When re-greasing, we recommend re-greasing with a compatible grease.

PRE-LUBRICATION

Lips of seals must be lubricated during assembly to avoid damage during the first revolutions of the shaft.

RE-LUBRICATION

Bearing supports must be lubricated while moving, so that grease can cover the whole surface of balls. Grease must be introduced slowly, often and in small quantities.

Pressure of the grease gun should be between 1.3 and 2.0 bar, otherwise you risk blowing out the seals with re-greasing.

LUBRICATION INTERVAL

Lubrication periods depend on use conditions of bearing supports. Dust, humidity, load, temperature significantly affect the interval of time between relubrication.

The table shows indicative values for relubrication periods.

USE CONDITIONS	TEMPERATURE		RE-LUBRICATION PERIOD (MONTHS)
	°C	°F	
clean	up to 50	up to 120	6 - 12
clean	50 - 70	120 - 160	4 - 8
clean	70 - 100	160 - 210	1 - 3
dirty	up to 70	up to 160	0.5 - 2
dirty	70 - 100	160 - 210	0.5 - 1
humid+wet	-	-	0.5



◀ back continue ▶



Chains and sprockets	Wear strips	Side guide brackets and accessories	Levelers	Engineering manual
Modular belts and sprockets	Chain and belt return systems	Frame and structure supports	Bearing supports	
Curves and tracks	Side guide solutions	Miscellaneous products	Equipment	

7 3 0 5 5 a

BEARINGS MOUNTING INSTRUCTIONS

MOUNTING INSTRUCTIONS

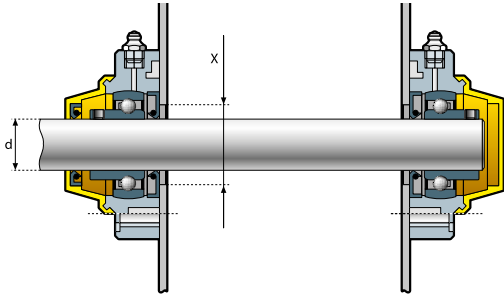


FLANGED BEARING SUPPORTS FOR PLAIN SHAFT

Dimension "X" must be maintained using supports with seals.

◀ back continue ▶

INDICATIONS FOR HOLE IN FRAME FOR SHAFT



D	X	
	MIN	MAX
(mm)		
12	18	30
15	21	30
16	22	30
17	23	30
20	26	30
25	29	31
30	36	42
35	41	47
40	46	47

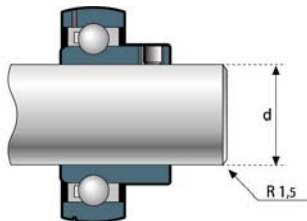
D	X	
	MIN	MAX
(in.)		
3/4	1	1 1/8
1	1 1/8	1 1/4
1 3/16	1 7/16	1 5/8
1 1/4	1 1/2	1 5/8
1 7/16	1 3/4	1 7/8
1 1/2	1 3/4	1 7/8

Bearing selection.

Go to:

7 3 5 4 2 a

Both ends of the shaft must be made round to simplify assembly of supports. Tolerance of shaft depends on diameter and number of revolutions.



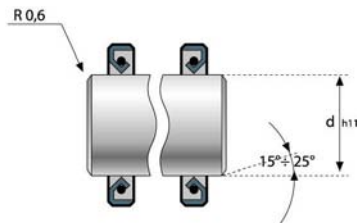
Coupling shaft/support

LOW SPEED	AVERAGE SPEED	HIGH SPEED
h9	h8	h7

The drawing shows chamfers and radii necessary to mount supports with seals correctly.

The shaft surface must be smooth and without defects.

Seal lips and shaft must be well lubricated before assembly.



Coupling shaft/seals



INSPECTION AND MAINTENANCE - General index 7 3 0 1 0 a -

◀ back continue ▶

7 3 0 1 5 a Parameters affecting service life

7 3 0 3 0 a Mounting and removal of belt

7 3 0 4 7 a Installation of curves

7 3 0 1 7 a Cleaning and maintenance

7 3 0 4 1 a Powerflex™ assembly instructions

7 3 0 5 8 a How to identify a curve

7 3 0 2 3 a Inspection procedure and replacement criteria

7 3 0 4 5 a Installation procedure

7 3 0 6 2 a Troubleshooting



Chains and sprockets	Wear strips	Side guide brackets and accessories	Levelers	Engineering manual
Modular belts and sprockets	Chain and belt return systems	Frame and structure supports	Bearing supports	
Curves and tracks	Side guide solutions	Miscellaneous products	Equipment	

7 3 0 5 6 a

BEARINGS MOUNTING INSTRUCTIONS

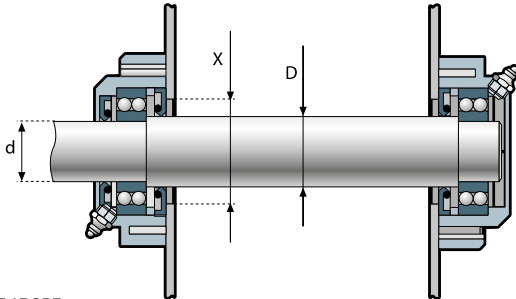
MOUNTING INSTRUCTIONS



◀ back

FLANGED BEARING SUPPORTS FOR SHOULDERED SHAFT

Dimension "X" must be maintained using supports with seals.



Bearing selection. Go to:

7 3 5 4 2 a

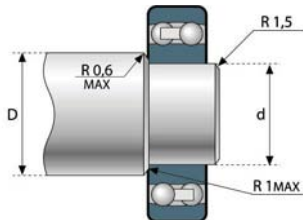
DIMENSION SHAFT / BORE

d		D		X	
in	mm	in	mm	in	mm
0.98	25	1.18	30	1.37 - 1.77	35 - 45
1.18	30	1.37	35	1.77 - 2.16	45 - 55
1.37	35	1.57	40	1.96 - 2.36	50 - 60
1.57	40	1.77	45	2.16 - 2.75	55 - 70

The drawing shows some value that must be carefully maintained.

Diameter "d" near the bearing must have a tolerance between -0.02 mm and -0.05mm.

With heavy radial loads the coupling must be slightly forced.

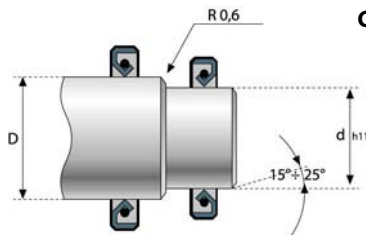


Coupling shaft/support

The drawing shows chamfers and radii necessary to mount supports with seals correctly.

The shaft surface must be smooth and without defects.

Seal lips and shaft must be well lubricated before assembly



Coupling shaft/seals



INSPECTION AND MAINTENANCE - General index 7 3 0 1 0 a -

◀ back

7 3 0 1 5 a Parameters affecting service life

7 3 0 3 0 a Mounting and removal of belt

7 3 0 4 7 a Installation of curves

7 3 0 1 7 a Cleaning and maintenance

7 3 0 4 1 a Powerflex™ assembly instructions

7 3 0 5 8 a How to identify a curve

7 3 0 2 3 a Inspection procedure and replacement criteria

7 3 0 4 5 a Installation procedure

7 3 0 6 2 a Troubleshooting



Chains and sprockets	Wear strips	Side guide brackets and accessories	Levelers	Engineering manual
Modular belts and sprockets	Chain and belt return systems	Frame and structure supports	Bearing supports	
Curves and tracks	Side guide solutions	Miscellaneous products	Equipment	



7 3 0 5 8 a

HOW TO IDENTIFY A CURVE

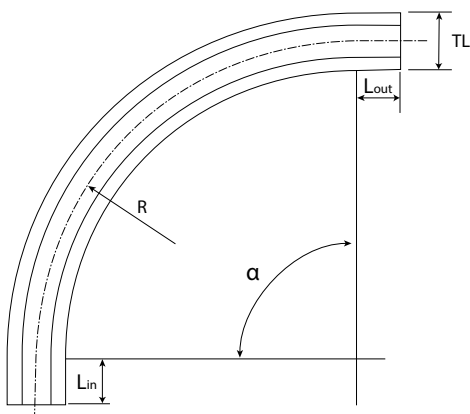
When a curve is to be replaced with a new one and its code or description are not available we can proceed to its identification in two ways.

Identify a curve from following information:

A:

- which type of chain and what width, i.e. 880M-K325
- angle α ; centre radius R; Infeed/Outfeed lengths L_{in}/L_{out} if any
- total width TL and pitch P in case of multiple strand
- type of return
- inserts; mounting hole, etc

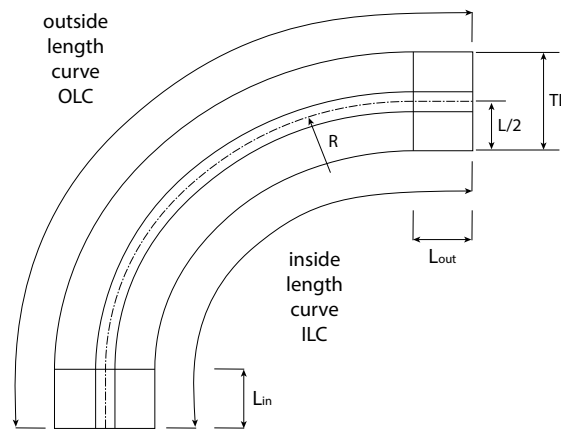
See drawing:



B:

- Which type of chain and what width, i.e. 880M-K325
- Inside length curve ILC and Outside length curve OLC
- Total width TL and pitch P in case of multiple strand
- Infeed (L_{in}) and Outfeed (L_{out}) Tangents if any
- Distance to centerline for first track $L/2$
- Type of return
- Inserts; mounting hole, etc

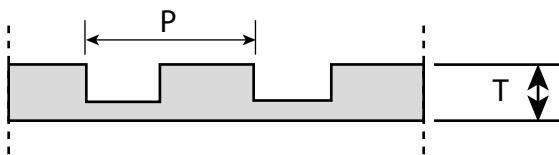
See drawing:



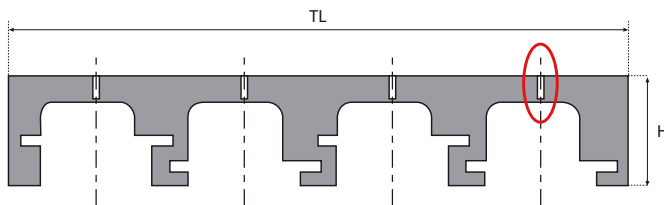
The curve lengths (OLC and ILC) can be measured with a rope. Afterwards the rope length can be measured with a tape measure

In both case:

1. Check the thickness T of the upper part and for multiple strands measure the pitch P between the individual strands:



2. For the return section measure the thickness H and check whether the tracks are staggered:



For special mounting holes or threaded inserts please provide a detailed drawing of the type and position.



INSPECTION AND MAINTENANCE - General index 7 3 0 1 0 a -

7 3 0 1 5 a Parameters affecting service life

7 3 0 3 0 a Mounting and removal of belt

7 3 0 4 7 a Installation of curves

7 3 0 1 7 a Cleaning and maintenance

7 3 0 4 1 a Powerflex™ assembly instructions

7 3 0 5 2 a Bearing mounting instructions

7 3 0 2 3 a Inspection procedure and replacement criteria

7 3 0 4 5 a Installation procedure

7 3 0 6 2 a Troubleshooting



Chains and sprockets	Wear strips	Side guide brackets and accessories	Levelers	Engineering manual
Modular belts and sprockets	Chain and belt return systems	Frame and structure supports	Bearing supports	
Curves and tracks	Side guide solutions	Miscellaneous products	Equipment	



continue ►

7 3 0 6 2 a TROUBLESHOOTING

CHAIN/BELT JUMPS ON SPROCKET

POSSIBLE CAUSES	REMEDY
Chain/belt is elongated, possibly due to wear or overloading	Replace chain/belt and sprocket Check other components as well Eliminate cause of overload
Improper catenary sag	Check dimensions and adjust
Sprocket is worn	Replace sprocket and inspect chain/belt for damage
Wrong sprocket type or mismatched sprocket halves	Install correct sprocket and ensure a matched set
Misaligned sprocket	Check and adjust
Improper sprocket position	Check and adjust position

CHAIN/BELT DOES NOT RELEASE WELL

POSSIBLE CAUSES	REMEDY
Incorrect sprocket dimension or type	Check and replace sprocket
Sticky residue	Clean chain/sprocket or renew
Improper catenary sag or excessive wrap (snub roller)	Remove unnecessary snub and check
Elongation - Pitch of chain/belt no longer matches pitch of sprocket	Check chain/belt elongation Replace chain/belt and sprocket if elongation is beyond 3%

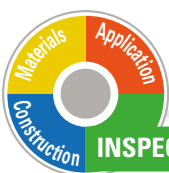
SLIP STICK OPERATION (SURGING)

POSSIBLE CAUSES	REMEDY
Tacky / sticky wear surface	Use lubrication and/or increase cleaning regime Reduce chain/belt tension by shortening the conveyor
Return roller diameter too small or improperly spaced	Install larger rollers or increase number of rollers
Chain/belt catches the conveyor or return rollers	Remove obstructions and ensure return rollers are turning freely
Improper catenary sag	Check dimension and adjust
Lubrication may cause vacuum suction	Change wearbed to allow lubrication pass-through

DAMAGED CHAIN HINGES

POSSIBLE CAUSES	REMEDY
Overloading Chain jumping on sprocket teeth or other impact forces	Eliminate cause of overloading Check sprockets and other components Replace chain/belt
Blocking and obstructions	Check the complete conveyor
Exceeding the minimum backflex radius	Check conveyor construction
Radius is too small for side-flexing chain	Check minimum radius of chain and adjust accordingly

Please contact technical support at any time if you have any questions.



INSPECTION AND MAINTENANCE - General index 7 3 0 1 0 a -

continue ►

- 7 3 0 1 5 a** Parameters affecting service life
- 7 3 0 3 0 a** Mounting and removal of belt
- 7 3 0 4 7 a** Installation of curves
- 7 3 0 1 7 a** Cleaning and maintenance
- 7 3 0 4 1 a** Powerflex™ assembly instructions
- 7 3 0 5 2 a** Bearing mounting instructions
- 7 3 0 2 3 a** Inspection procedure and replacement criteria
- 7 3 0 4 5 a** Installation procedure
- 7 3 0 5 8 a** How to identify a curve



Chains and sprockets	Wear strips	Side guide brackets and accessories	Levelers	Engineering manual
Modular belts and sprockets	Chain and belt return systems	Frame and structure supports	Bearing supports	
Curves and tracks	Side guide solutions	Miscellaneous products	Equipment	



7 3 0 6 3 a

TROUBLESHOOTING

◀ back continue ▶

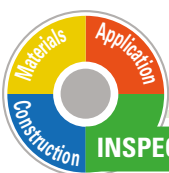
ELONGATION	
POSSIBLE CAUSES	REMEDY
Overloading / excessive chain pull Chain/belt is over-tensioned with spring, screw or pneumatic tensioner	Eliminate cause of overload and minimize tensioning force Check sprockets and other components Replace chain/belt Replace components if necessary
Wear from dirt in hinges causing abrasive wear	Improve cleaning Use HB pins Consider more wear-resistant material

RAPID CURVE WEAR	
POSSIBLE CAUSES	REMEDY
Overheating / PV Failure	Use EXTRA curve or Nolu®-S parts Do chain pull calculation to confirm application Check conveyor for catch points which may be increasing chain tension
Embedded abrasives	Replace curve and assess cleaning procedure

CHAIN DRIFTS SIDWAYS ON SPROCKETS	
POSSIBLE CAUSES	REMEDY
Bad shaft/sprocket alignment	Adjust or use collars to allow sprocket play
Conveyors is not level	Adjust as necessary
Insufficient tangent between last curve and drive sprocket	Increase drive length - at least 2-ft recommended at drive
Chain is not properly retained on conveyor	Check wearbed - positioning tabs? Lip on wearstrip belt
Shafts are not square to one another	Check diagonals for square - adjust as necessary

CRACKED HINGE EYES	
POSSIBLE CAUSES	REMEDY
Stress-corrosion caused by incompatible chemicals	Check chemicals compatibility with chain/belt material Use appropriate chemicals and / or reevaluate rinsing procedure
Over-backflexing	Check return and catenary to ensure proper setup

Please contact technical support at any time if you have any questions.



INSPECTION AND MAINTENANCE - General index 7 3 0 1 0 a -

◀ back continue ▶

- 7 3 0 1 5 a** Parameters affecting service life
- 7 3 0 3 0 a** Mounting and removal of belt
- 7 3 0 4 7 a** Installation of curves
- 7 3 0 1 7 a** Cleaning and maintenance
- 7 3 0 4 1 a** Powerflex™ assembly instructions
- 7 3 0 5 2 a** Bearing mounting instructions
- 7 3 0 2 3 a** Inspection procedure and replacement criteria
- 7 3 0 4 5 a** Installation procedure
- 7 3 0 5 8 a** How to identify a curve



Chains and sprockets	Wear strips	Side guide brackets and accessories	Levelers	Engineering manual
Modular belts and sprockets	Chain and belt return systems	Frame and structure supports	Bearing supports	
Curves and tracks	Side guide solutions	Miscellaneous products	Equipment	



7 3 0 6 4 a

TROUBLESHOOTING

◀ back continue ▶

CHAINS FOR MAGNETIC SYSTEM PULL UP FROM CURVE	
POSSIBLE CAUSES	REMEDY
Worn curve	Replace curve
Improper chamfering of the infeed or other obstructions	Check and adjust/rework
No soft start-up	Install frequency inverter drives
Curve not mounted level	Check and adjust

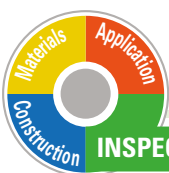
CORRODED STEEL CHAIN	
POSSIBLE CAUSES	REMEDY
Incompatible combination of chain material and chemicals	Use only compatible chemicals
May occur even with stainless steel	Consider higher graded material

EXCESSIVE CHAIN/BELT WEAR	
POSSIBLE CAUSES	REMEDY
Contamination / Debris in return	Improve cleaning and evaluate cleaning regime
Failing lubrication	Check lubrication system Contact lubricant supplier
Obstructions	Check all sections
Return rollers are smaller than minimum backflex radius	Install roller with larger diameter or consider serpentine returns

SPROCKETS DO NOT SLIDE ON SHAFT WHEN BELT EXPANDS/CONTRACTS DUE TO TEMPERATURE CHANGES	
POSSIBLE CAUSES	REMEDY
Contamination	Improve cleaning
Sprockets are locked to the shaft improperly	Re-adjust axial fixing according to temperature situation
Wrong bore tolerance	Replace with sprockets with PLUS tolerance Use square shafts or double-keyed shafts in extreme situations

RAPID WEAR ON SPROCKETS	
POSSIBLE CAUSES	REMEDY
Abrasive conditions	Improve cleaning to remove debris (check drive pockets) Use more wear resistant sprockets, if available
Excessive tensioning or load	Reduce tensioners, if present Verify chain pull calculation

Please contact technical support at any time if you have any questions.



◀ back continue ▶

INSPECTION AND MAINTENANCE - General index 7 3 0 1 0 a -

- 7 3 0 1 5 a** Parameters affecting service life
- 7 3 0 3 0 a** Mounting and removal of belt
- 7 3 0 4 7 a** Installation of curves
- 7 3 0 1 7 a** Cleaning and maintenance
- 7 3 0 4 1 a** Powerflex™ assembly instructions
- 7 3 0 5 2 a** Bearing mounting instructions
- 7 3 0 2 3 a** Inspection procedure and replacement criteria
- 7 3 0 4 5 a** Installation procedure
- 7 3 0 5 8 a** How to identify a curve

Chains and sprockets	Wear strips	Side guide brackets and accessories	Levelers	Engineering manual
Modular belts and sprockets	Chain and belt return systems	Frame and structure supports	Bearing supports	
Curves and tracks	Side guide solutions	Miscellaneous products	Equipment	



◀ back

ABNORMAL NOISE, SQUEAKING, RATTLING

POSSIBLE CAUSES	REMEDY
Chain is touching safety cover, frame, or conveyor parts etc	Locate the source and adjust to free the chain Remove any obstructions
Wearstrip and/or Wearstrip guide clearance is improperly adjusted	Locate the tight part and adjust the clearance
Wearstrip surface finish is rough or dimensions and/or materials are not appropriate	Replace with wearstrips with the appropriate material and profile
Lubrication is insufficient or operating conditions are too extreme	Lubricant and/or lubrication regime should be reevaluated
Chain is not properly supported in the return	Relocate to on top of the roller or repair serpentine if necessary

PULSATION

POSSIBLE CAUSES	REMEDY
The location/spacing of return rollers Size / position of the catenary are not appropriate.	Adjust according to page 7 2 1 4 4 a Return Part construction
Idle sprocket and/or return roller not rotating smoothly	Adjust by using bearings so that they rotate more smoothly or increase their diameter
Foreign particles adhering to the wearstrip impede smooth sliding	Clean wearstrips
Lubrication is insufficient or operating conditions are too extreme	Lubricant and/or lubrication regime should be changed
Chain is running where guide clearance with the wearstrip is tight	Locate the tight part and adjust the clearance
Unfavorable speed to length ratio	Use Nolu®-S parts Adjust drive location if possible
Long conveyor with return rollers positioned at consistent intervals	Return roller distance should be staggered for high speed and long conveyor like 600 mm (24-in), then 400 mm (16-in) and so on. This help to avoid chain/belt pulsation

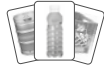
Please contact technical support at any time if you have any questions.



◀ back



Chains & sprockets	Wear strips	Side guide brackets & accessories	Levelers	Engineering manual
Modular belts & sprockets	Chain & belt return systems	Frame & structure supports	Bearing supports	
Curves & tracks	Side guide solutions	Miscellaneous products	Equipment	



CALCULATIONS AND MATERIALS

- Product handling **73515a**
- Pressure of accumulation products **73522a**
- 90° Product transfer with belts **73524a**
- Thermal expansion **73526a**
- Raised rib belt 2500
 - Calculations **73528a**
 - 2500RR Load capacity depending on application temperature **73531a**
- 2253RTC Calculations
 - Lateral movement **73533a**
 - Rotation with product stopped..... **73535a**
 - Rotation with product moving..... **73537a**
- Bearing
 - Bearing selection..... **73542a**
 - Bearing exploded view..... **73544a**
 - Bearing and shaft **73547a**
 - Maximum radial load capacity of housing **73550a**
- Materials
 - Steel chain materials **73560a**
 - Pin materials for steel and plastic chains **73561a**
 - Plastic chains and belt materials **73563a**
 - Special plastic chains and belt materials **73565a**
 - Pin materials for belts **73568a**
 - Rubber materials **73570a**
 - Nolu®-s parts **73573a**
 - Curve, wearstrips, side guide, sprockets and return roller **73575a**
- Storage of plastic chains and belts and RoHs **73576a**
- Disposal for products **73577a**
- Coefficients of friction of standard materials **73578a**
- Coefficient of friction - Measurement procedure..... **73580a**
- Coefficient of friction - Good measurement practice... **73581a**
- Chemical resistance of standard materials **73586a**
- Application temperatures..... **73588a**
- NG®evo conveyor components made from engineered plastic resin..... **73700a**



Chains & sprockets	Wear strips	Side guide brackets & accessories	Levelers	Engineering manual
Modular belts & sprockets	Chain & belt return systems	Frame & structure supports	Bearing supports	
Curves & tracks	Side guide solutions	Miscellaneous products	Equipment	



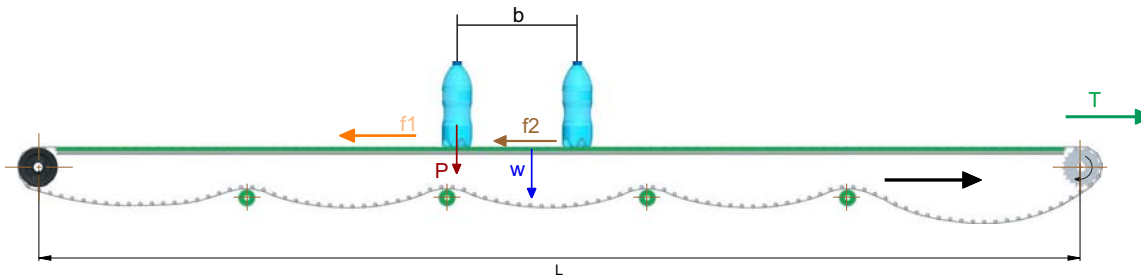
continue ►

CHAIN/BELT PULL CALCULATION FOR GENERAL PURPOSE CONVEYOR

The pull required to convey the products can be calculated for several conveyor types as follow:

A- STRAIGHT FLAT CONVEYOR WITHOUT ACCUMULATION

The total pull at drive end is the sum of return part pull and carry part pull. See below scheme for involved forces representations at conveyor carry and return parts.



- L:** Length of the conveyor shaft to shaft (m or ft);
- b:** Product pitch, not required when product weight per unit length is noted;
- P:** Product weight per unit length (N/m or lbf/ft);
- W:** belt/chain weight per unit length (N/m or lbf/ft);
- g:** gravity (m/s² or ft/s²);

The mass of chain per unit length is provided for each chain on SmartGuide® catalog;
For belt the mass per unit square is available on SmartGuide® catalog; the mass per unit length is done by multiplying the mass per unit square by the width of the belt in [m] or [ft].

CARRY PART:

The carry part pull Tc is the sum of **f₁** and **f₂**:

(1) $T_c = (f_1 + f_2)$ [N or lbf]

- f₁** : friction force between belt/chain and wear strips due to the product weight
- f₂** : friction force between belt/chain and wear strips due to belt/chain weight

(2) $f_1 = \mu_{cp} * P * L$

μ_{cp} : coefficient of dynamic friction between product and belt/chain due to product

(3) $f_2 = \mu_{cw} * W * L$

μ_{cw} : coefficient of dynamic friction between belt/chain and wear strip due to belt/chain

Equation (1) becomes:

(4) $T_c = (M * \mu_{cp} + M_c * \mu_{cw}) * g * L$ [N or lbf]

M_c: Mass of chain/belt per unit length [kg/m or lb/ft]

M: Mass of the product per unit length [kg/m or lb/ft]

NOTE: In normal condition we assume the product for not slide over the chain/belt so **μ_{cp} = μ_{cw}**.

For other conditions where product slides over the chain/belt as accumulation **μ_{cp} ≠ μ_{cw}**.



continue ►

7 3 5 1 9 a Product handling maximum acceleration	7 3 5 2 6 a Thermal expansion	7 3 5 4 2 a Bearing selection
7 3 5 2 2 a Pressure of accumulation products	7 3 5 2 8 a 2500RR calculations	7 3 5 4 7 a Bearing and shaft
7 3 5 2 4 a 90° product transfer with belts	7 3 5 3 3 a 2253RTC calculations	7 3 5 7 8 a Coefficient of friction of standard materials

Chains & sprockets	Wear strips	Side guide brackets & accessories	Levelers	Engineering manual
Modular belts & sprockets	Chain & belt return systems	Frame & structure supports	Bearing supports	
Curves & tracks	Side guide solutions	Miscellaneous products	Equipment	

7 3 5 1 6 a

**PRODUCT HANDLING
GENERAL CALCULATION**



◀ back continue ▶

RETURN PART

In the return part there is no product carried, thus the mass of the product per unit length **M=0**.

The return part pull **T_R** is then:

$$(5) T_R = g * L * M_c * \mu_{cr} \text{ [N or lbf]}$$

μ_{cr}: coefficient of dynamic friction between belt/chain and guide in the return part.

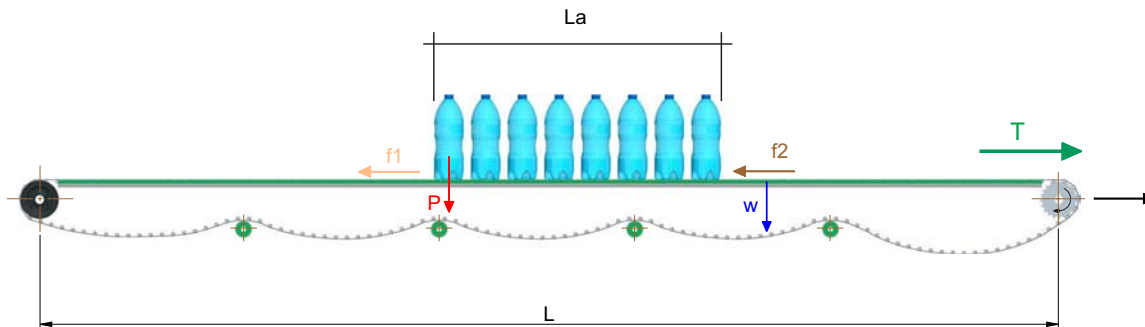
The total pull T of the flat conveyor (excluded the pull due to chordal effect) is done by:

$$(6) T = T_C + T_R = g * L * (M * \mu_{cp} + M_c (\mu_{cw} + \mu_{cr})) \text{ [N or lbf]}$$

The coefficient of friction can be monitored with the iCOF® device. For more details refer to **5 7 0 8 0 a**

B- STRAIGHT FLAT CONVEYOR WITH ACCUMULATION:

In case of accumulation of the product, the pull will be as in formula (6) added the contribution of accumulation section.



Considering:

L_a: length of the accumulation section [m or ft];

M_a: mass per unit length of accumulated products [kg/m or lb/ft];

μ_{cp} friction coefficient between belt/chain and accumulated products;

The COFs between chain/belt and wearstrips and between chain/belt and products are available at page **7 3 5 7 8 a**

The Total pull will be:

$$(6a) T = T_C + T_R + T_a = [g * (L - L_a) * (M * \mu_{cp} + M_c * \mu_{cw})] + [g * L * M_c * \mu_{CR}] + [M_a * \mu_{cp} * g * L_a]$$



MATERIALS AND CALCULATIONS - General index 7 3 5 1 0 a -

◀ back continue ▶

7 3 5 1 9 a Product handling maximum acceleration

7 3 5 2 6 a Thermal expansion

7 3 5 4 2 a Bearing selection

7 3 5 2 2 a Pressure of accumulation products

7 3 5 2 8 a 2500RR calculations

7 3 5 4 7 a Bearing and shaft

7 3 5 2 4 a 90° product transfer with belts

7 3 5 3 3 a 2253RTC calculations

7 3 5 7 8 a Coefficient of friction of standard materials



Chains & sprockets	Wear strips	Side guide brackets & accessories	Levelers	Engineering manual
Modular belts & sprockets	Chain & belt return systems	Frame & structure supports	Bearing supports	
Curves & tracks	Side guide solutions	Miscellaneous products	Equipment	

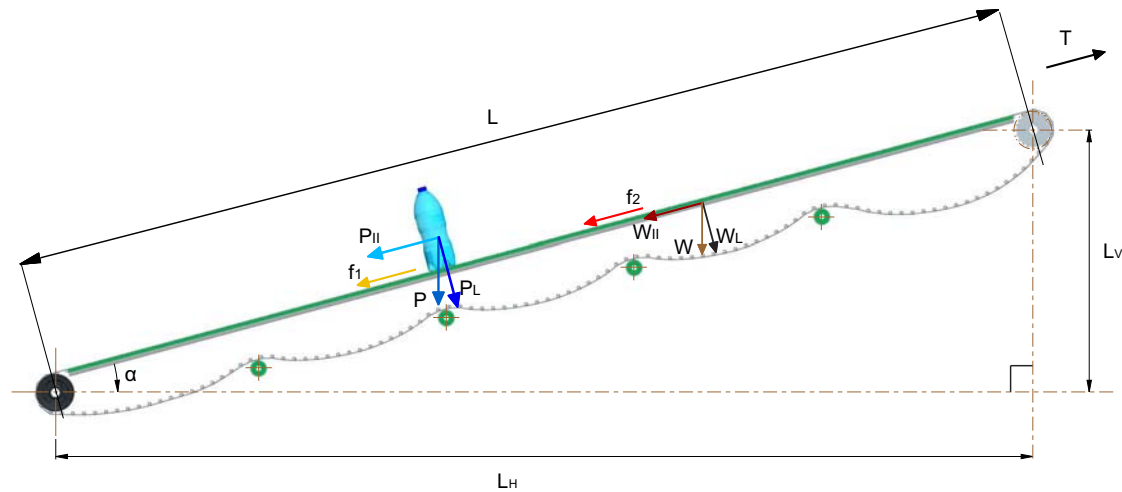


◀ back

B- STRAIGHT INCLINED CONVEYOR

As the only difference between an inclined and a flat conveyor is the angle of inclination α , we will skip most calculation steps to get in the final formula.

In below inclined conveyor schematic, all significant forces of the conveyor are considered



α = incline angle (°);

CARRY PART

The carry part pull T_c is the sum of all horizontal forces;

$$(7) T_c = (f_1 + P_{II} + f_2 + W_{II})$$

where

$$(8) f_1 = \mu_{cp} * P_L * L = \mu_{cp} * P * L * \cos \alpha$$

$$(9) f_2 = \mu_{cw} * W_L * L = \mu_{cw} * W * L * \cos \alpha$$

$$(10) P_{II} = P * L * \sin \alpha = M * g * L * \sin \alpha$$

$$(11) W_{II} = W * L * \sin \alpha = M_c * g * L * \sin \alpha$$

RETURN PART

In the return part there is no product carried, thus $M=0$.

$$(12) T_r = M_c * g * L * (\mu_{cr} * \cos \alpha + \sin \alpha)$$

The total pull T of the inclined/declined conveyor (excluded the pull due to chordal effect) is done by:

$$(13) T = T_c + T_r = g * L * [M * (\mu_{cp} * \cos \alpha + \sin \alpha) + M_c * (\mu_{cw} * \cos \alpha + \sin \alpha)] + g * L * M_c * (\mu_{cr} * \cos \alpha + \sin \alpha)$$

C- NET SHAFT POWER NP

$$(14) NP = T * v$$

V is the conveyor speed [m/s or ft/s]

T the pull [kN or lbf]

NP [kW or lbf*ft/s]

Above calculation is the basic, for detailed calculation use our calculation program SPEC® (<http://spec.systemplast.com>)



◀ back



Chains & sprockets	Wear strips	Side guide brackets & accessories	Levelers	Engineering manual
Modular belts & sprockets	Chain & belt return systems	Frame & structure supports	Bearing supports	
Curves & tracks	Side guide solutions	Miscellaneous products	Equipment	



continue ►

7 3 5 1 9 a

**PRODUCT HANDLING
GENERAL CALCULATION**

MAXIMUM ACCELERATION:

The maximum acceleration force F_{max} on a product to be able to convey the product with the chain depends on the friction between product and chain.

Maximum acceleration a_{max} can be calculated with:

$$a_{max} = \frac{F_{max}}{M} = \frac{W * \mu}{M} = \frac{M * g * \mu}{M} = g * \mu$$

W = weight of product in [N] or [Lb_f]

M = weight of product in [kg] or [lb_m]

μ = coefficient of friction between chain/belt and product

g = gravitational acceleration = 9.81 m/s² (32.2 ft/s²)

MAXIMUM FORCE ON PRODUCTS TO AVOID TIPPAGE:

The maximum acceleration a_{CG} without products falling over is dependent on the shape (position of the center of gravity), the weight, and the product material. This is for instance, it is also important when the product is being conveyed onto a dead plate.

When a bottle is moving on conveyors, there are external forces acting on it:

$$F^{ext} = M * a_{CG} = \mu * M * g$$

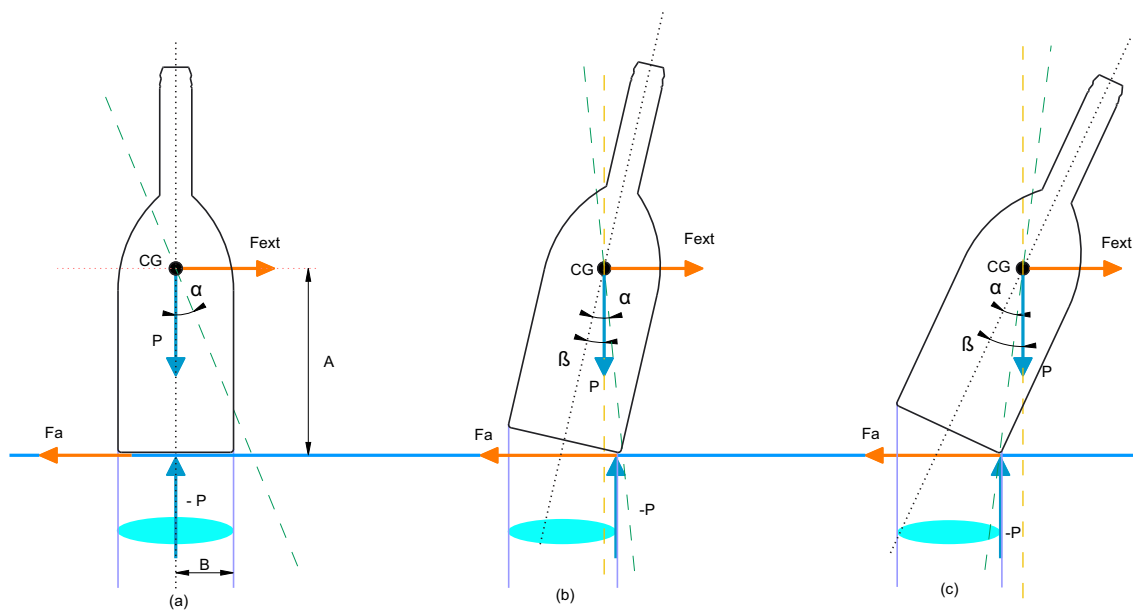


Figure 1

The force F^{ext} is the force due to acceleration or deceleration of the product or due to a different cause like other bottles or a side guide.



MATERIALS AND CALCULATIONS - General index **7 3 5 1 0 a** -

continue ►

7 3 5 1 5 a Product handling

7 3 5 2 6 a Thermal expansion

7 3 5 4 2 a Bearing selection

7 3 5 2 2 a Pressure of accumulation products

7 3 5 2 8 a 2500RR calculations

7 3 5 4 7 a Bearing and shaft

7 3 5 2 4 a 90° product transfer with belts

7 3 5 3 3 a 2253RTC calculations

7 3 5 7 8 a Coefficient of friction of standard materials



Chains & sprockets	Wear strips	Side guide brackets & accessories	Levelers	Engineering manual
Modular belts & sprockets	Chain & belt return systems	Frame & structure supports	Bearing supports	
Curves & tracks	Side guide solutions	Miscellaneous products	Equipment	

7 3 5 2 0 a

PRODUCT HANDLING

GENERAL CALCULATION



◀ back

BOTTLE EQUILIBRIUM:

The equilibrium condition of a bottle is that the vector of the vertical component of resultant forces passing by its gravity center falls inside support base (blue circle) i.e. $\alpha > \beta$. See figure 1.

Angle α is determined by the diameter of the footprint of the product ($B = \frac{1}{2} * \text{bottle diameter}$) and the height of the centre point of gravity (A).

Angle β is determined by the horizontal force on the bottle (F^{ext}) relative to the weight of the bottle (P).

Bottle falls when $\beta > \alpha$. That means in:

$$\frac{F^{ext}}{P} > \frac{B}{A} ; \frac{m \cdot g \cdot \mu}{m \cdot g} > \frac{B}{A} \rightarrow \mu > \frac{B}{A}$$

In conclusion:

when $\mu > \frac{B}{A}$ containers fall; and when $\mu < \frac{B}{A}$ containers remain standing

CENTRIFUGAL FORCES:

When a product is being conveyed through a curve there's a centrifugal force working on the product. This force on the product is compensated by the friction between chain and product and by a side guide.

The centrifugal force is calculated with:

$$F_c = \frac{M \cdot v^2}{r}$$

M = weight of the product

v = speed

r = center radius of the curve

Friction force between chain and product is calculated with:

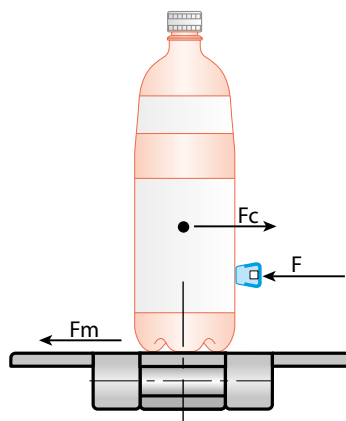
$$F_m = M \cdot g \cdot \mu$$

g = gravitational acceleration

μ = coefficient of friction between belt/chain and product

The minimum force **F** that needs to be generated by the side guide is:

$$F = F_c - F_m = M \cdot \left[\frac{v^2}{r} - g \cdot \mu \right]$$



MATERIALS AND CALCULATIONS - General index 7 3 5 1 0 a -

◀ back

7 3 5 1 5 a Product handling

7 3 5 2 6 a Thermal expansion

7 3 5 4 2 a Bearing selection

7 3 5 2 2 a Pressure of accumulation products

7 3 5 2 8 a 2500RR calculations

7 3 5 4 7 a Bearing and shaft

7 3 5 2 4 a 90° product transfer with belts

7 3 5 3 3 a 2253RTC calculations

7 3 5 7 8 a Coefficient of friction of standard materials



Chains & sprockets	Wear strips	Side guide brackets & accessories	Levelers	Engineering manual
Modular belts & sprockets	Chain & belt return systems	Frame & structure supports	Bearing supports	
Curves & tracks	Side guide solutions	Miscellaneous products	Equipment	

7 3 5 2 2 a

PRESSURE OF ACCUMULATION PRODUCTS

GENERAL CALCULATION



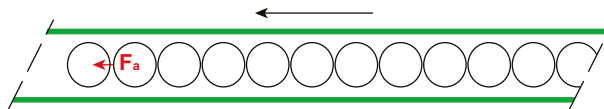
PRESSURE OF ACCUMULATING PRODUCTS OR BACKLINE PRESSURE:

When a product is standing still (e.g. against a stopper or guide), the chain running underneath the product creates a force on the product equal to the weight of the product multiplied by the coefficient of friction between chain and product.

Each following product is pushing with the same force against the next product, so the resulting force is proportional to the total weight of products upstream. This force is the same as the accumulation contribute on formula 6A.

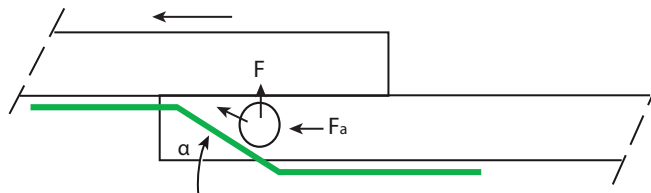
$$F_a = W_a * L_a * \mu$$

$$F_a = M_a * g * \mu_{cp} * L_a$$



- F_a** = accumulation force
- W_a** = weight of the accumulating products in Kg/m (or lb/ft).
- L_a** = length of accumulation in m (or ft)
- μ** = coefficient of friction between chain and product.

SIDE TRANSFER ACTION:



Pushing the product sideward creates a force F on the product against the side guide.

$$F = F_a * \sin(\alpha) = W_a * L_a * \mu * \sin(\alpha)$$

(see explanation of symbols above)

Nowadays, can and bottle wall thickness is becoming thinner and thinner. At the same time, more installations are running with less or no lubrication, thus increasing the coefficient of friction (unless they utilize our NGE / Nolu®-S parts solution). That's why it's important to take also the forces on the products into consideration.

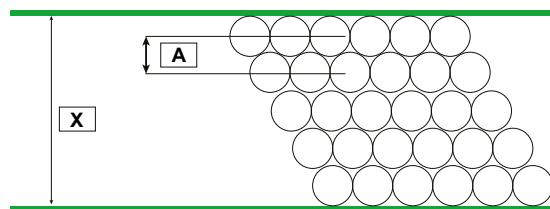
In the above-mentioned formula, the angle **α** plays an important role in a smooth transfer and reduced forces on the products. This angle should be kept as small as possible. One should also consider the nesting pattern of cans and bottles during a side transfer to optimize guide rail geometry.

CALCULATION OF SIDE GUIDE DISTANCE:

$$\text{SIDE GUIDE DISTANCE } X = D + (N-1) * A$$

Where:

- D** = Product diameter
- N** = Number of product rows
- A** = product-product center distance = $\sqrt{0.75 * D^2}$



— SIDE GUIDE



MATERIALS AND CALCULATIONS - General index 7 3 5 1 0 a -

7 3 5 1 5 a Product handling

7 3 5 2 6 a Thermal expansion

7 3 5 4 2 a Bearing selection

7 3 5 1 9 a Product handling maximum acceleration

7 3 5 2 8 a 2500RR calculations

7 3 5 4 7 a Bearing and shaft

7 3 5 2 4 a 90° product transfer with belts

7 3 5 3 3 a 2253RTC calculations

7 3 5 7 8 a Coefficient of friction of standard materials



Chains & sprockets	Wear strips	Side guide brackets & accessories	Levelers	Engineering manual
Modular belts & sprockets	Chain & belt return systems	Frame & structure supports	Bearing supports	
Curves & tracks	Side guide solutions	Miscellaneous products	Equipment	



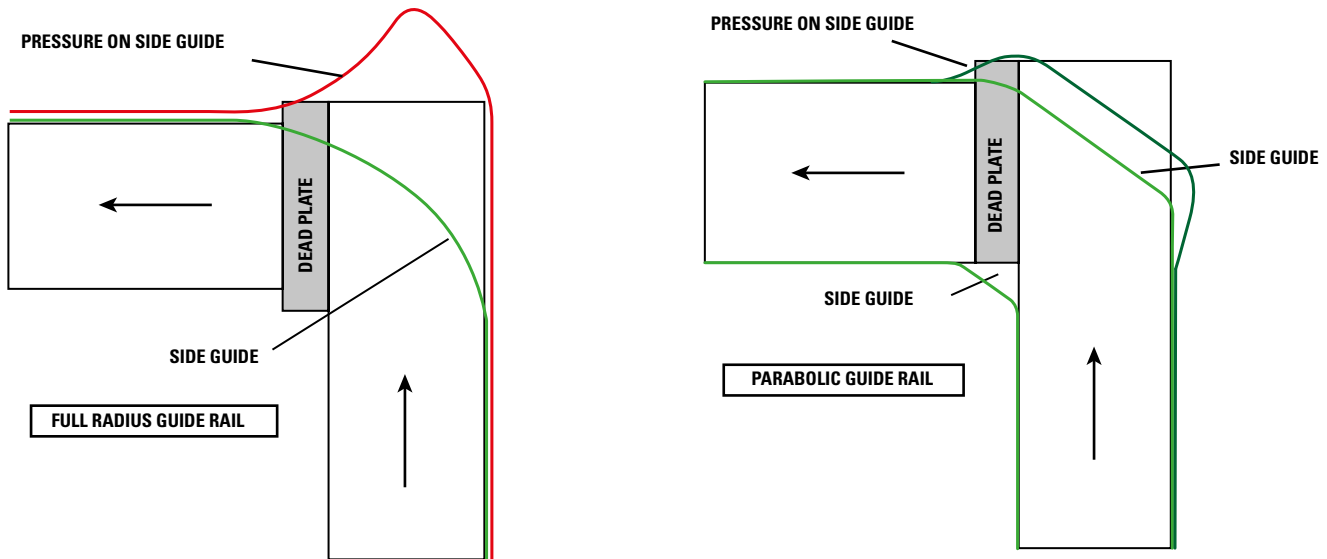
7 3 5 2 4 a

90° PRODUCT TRANSFER WITH BELTS

GENERAL CALCULATION

90° PRODUCT TRANSFER:

When transferring products from one conveyor to another at a 90° angle, it's common practice to use full radius guide rails with dead plates which span the space between the infeed and outfeed conveyors. Products moving along the full radius guide rail exert high pressure on the rail and on each other, easily resulting in damage.



The parabolic guide rail distributes the pressure better along the outer guide rail. This results in significantly less potential for damage on products or deflection of the guide rail. However, on the inside corner of the curve, extra room must be created for an extended dead plate "dead area".

The use of the System Plast® active transfer wing system will eliminate the dead plate and further reduce the pressure on products and side guides.

Belt with transfer wing. Go to:

1/2"	3	0	0	4	5	a
3/4"	3	0	2	1	5	a
1"	3	0	3	2	0	a



MATERIALS AND CALCULATIONS - General index **7 3 5 1 0 a** -

7 3 5 1 5 a Product handling

7 3 5 2 6 a Thermal expansion

7 3 5 4 2 a Bearing selection

7 3 5 1 9 a Product handling maximum acceleration

7 3 5 2 8 a 2500RR calculations

7 3 5 4 7 a Bearing and shaft

7 3 5 2 2 a Pressure of accumulation products

7 3 5 3 3 a 2253RTC calculations

7 3 5 7 8 a Coefficient of friction of standard materials



Chains & sprockets	Wear strips	Side guide brackets & accessories	Levelers	Engineering manual
Modular belts & sprockets	Chain & belt return systems	Frame & structure supports	Bearing supports	
Curves & tracks	Side guide solutions	Miscellaneous products	Equipment	



7 3 5 2 6 a

THERMAL EXPANSION

GENERAL CALCULATION

THERMAL EXPANSION

Due to temperature variation, the belt width can change according to the delta temperature. The belt width variation is function of the delta temperature and the belt material itself. See below formula for thermal expansion calculation.

CALCULATION:

Expected expansion ΔW [mm or in];

$$\Delta W = W * \Delta T * f$$

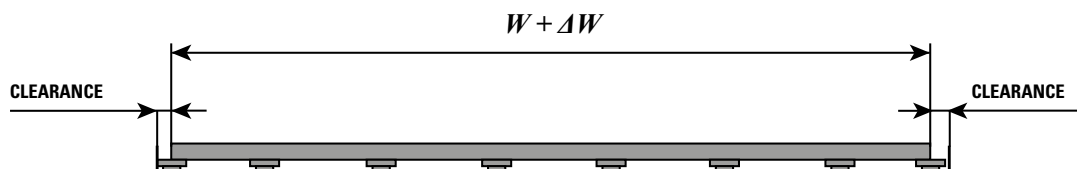
W = belt width [m] or [in]

ΔT = temperature difference (Operating temperature - Ambient temperature at manufacturing site) [°C] or [°F]

f = thermal expansion factor (material property) or Linear Thermal Expansion Coefficient [mm/m/°C] or [in/in/°F]

MATERIAL	THERMAL EXPANSION FACTOR F	
	[mm/m/°C]	[in/in/°F]
LF (Acetal)	0.12	6.66E-5
NG®evo conveyor components made from engineered plastic resin (PBT)	0.13	7.22E-5
PP (Polypropylene)	0.15	8.33E-5
HT (PA)	0.08	4.44E-5
XT (PPS)	0.26	1.44E-4

To be able to absorb the thermal expansion the belt needs some clearance on the side. Depending on the expected temperature difference the structure should be wide enough to make sure the belt will not get stuck at high temperatures or, in case of low temperatures, be small enough to still support the belt at low temperatures.



The total clearance per side to be considered is (indicative values):

BELT NOMINAL WIDTH		TOTAL CLEARANCE (*)	
W < 500 mm	W < 20"	4 mm	0.16"
500 < W < 1500 [mm]	20" < W < 60"	6 mm	0.24 "
1500 < W < 3000 [mm]	60" < W < 120"	8 mm	0.32"
W > 3000 mm	W > 120"	10 mm	0.39"

(*) For PP belts, please consider the extra dimension due to material expansion during molding process in the clearance calculations.

NOMINAL WIDTH TOLERANCE

The standard tolerance on the nominal width of belts/chains made in Acetal (LF) or Polybutylene terephthalate (NGE) is **+0 / - 0,5 %**.

The standard tolerance on the nominal width of belts/chains made in Polypropylene (PP, PP-FR-EC, CR) is **+1 % / +2 %**.

The standard tolerance on the nominal width of belts/chains made in Acetal (POM-AS) is **0 / +0.6 %**.



MATERIALS AND CALCULATIONS - General index **7 3 5 1 0 a** -

7 3 5 1 5 a Product handling

7 3 5 2 4 a 90° product transfer with belts

7 3 5 4 2 a Bearing selection

7 3 5 1 9 a Product handling maximum acceleration

7 3 5 2 8 a 2500RR calculations

7 3 5 4 7 a Bearing and shaft

7 3 5 2 2 a Pressure of accumulation products

7 3 5 3 3 a 2253RTC calculations

7 3 5 7 8 a Coefficient of friction of standard materials



Chains & sprockets	Wear strips	Side guide brackets & accessories	Levelers	Engineering manual
Modular belts & sprockets	Chain & belt return systems	Frame & structure supports	Bearing supports	
Curves & tracks	Side guide solutions	Miscellaneous products	Equipment	



continue ►

CONSIDERATION OF THERMAL INFLUENCES

1. Calculate the thermal width expansion " ΔIW "
2. Calculate the thermal belt elongation " ΔIE "
3. Determine the catenary height " H "

NOTE: THESE CONSIDERATIONS ARE NOT INCLUDING THE EXPANSION INFLUENCES DUE TO BELT TENSION!

2500RR
Construction details.
Go to:

Thermal expansion calculation:

Calculation: Expected expansion [mm] $\Delta I = W \cdot \Delta T \cdot f$

f = thermal expansion factor (of PPG: ~ 0,15 mm/m/°C or 8.33E-5 in/in/°F)

W = belt width [mm]/1000 or belt length per zone [mm]/1000

ΔT = temperature difference = (°C) - 21°C

1. Calculate the thermal width expansion " ΔIW "

Example for a belt 105" (2667 mm) width, at 80°C

$\Delta I = W \cdot \Delta T \cdot f$

$\Delta I = 2667 \text{ mm}/1000 \times (80^\circ - 21^\circ)\text{C} \times 0,15 \text{ mm}/\text{m}/^\circ\text{C}$

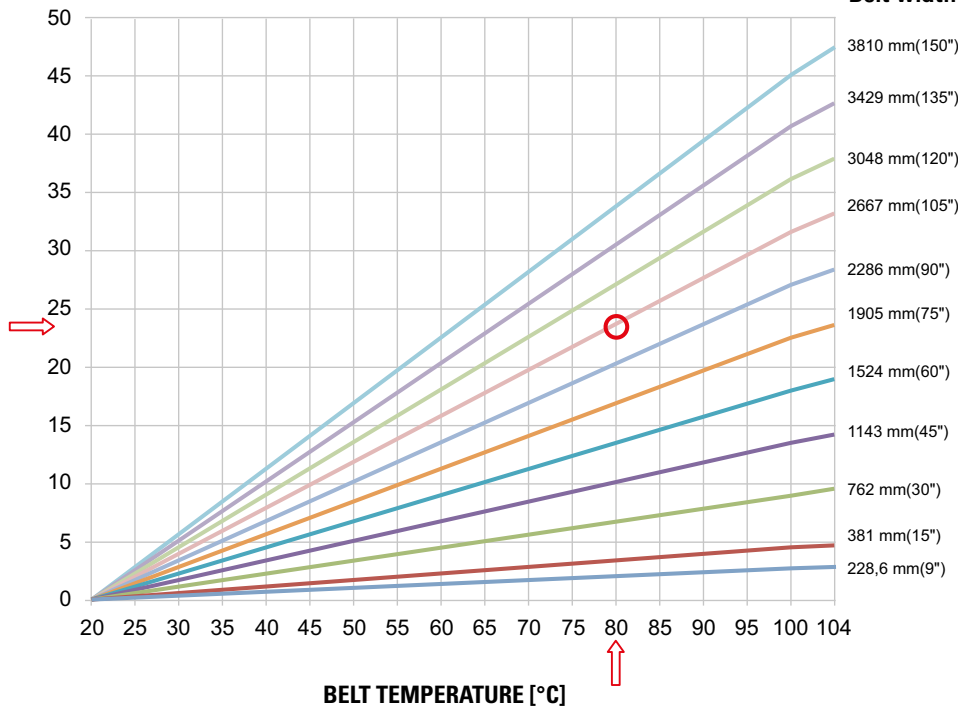
$\Delta IW = 23 \text{ mm}$

Thermal width expansion can also be read out of below diagram.

Belt side expansion [mm]

THERMAL EXPANSION OF PPG 2500RR BELT

Belt width



continue ►



Chains & sprockets	Wear strips	Side guide brackets & accessories	Levelers	Engineering manual
Modular belts & sprockets	Chain & belt return systems	Frame & structure supports	Bearing supports	
Curves & tracks	Side guide solutions	Miscellaneous products	Equipment	

7 3 5 2 9 a

2500RR CALCULATIONS

RAISED RIB BELT 2500



2. Calculate the thermal belt elongation "ΔIE" for e.g. different temperature zones in a warmer tunnel

Example for a warmer-tunnel, with a 17,5 m shaft-distance, standard conveyor design with head drive, and three temperature zones.

Zone 1 : 5 m long, 40°C

Zone 2 : 7,5 m long, 80°C

Zone 3 : 5 m long, 50°C

Note: Don't forget to count also the amount of belt of the return part, where the belt is also exposed to the several temperatures! This leads to double the elongation of the belt in each zone!

◀ back continue ▶

2500RR
Construction details.
Go to:

7 2 3 1 0 a

$\Delta IE = \Delta I_{Zone1} + \Delta I_{Zone2} + \Delta I_{Zone3}$

$\Delta I_{Zone1} = W_{Zone1} \cdot \Delta T_{Zone1} \cdot f = 5\text{ m} \times (40 - 21)^\circ\text{C} \times 0,15\text{ mm/m}^\circ\text{C} = 14,3\text{ mm} \times 2 = 28,6\text{ mm}$

$\Delta I_{Zone2} = W_{Zone2} \cdot \Delta T_{Zone2} \cdot f = 7,5\text{ m} \times (80 - 21)^\circ\text{C} \times 0,15\text{ mm/m}^\circ\text{C} = 66,4\text{ mm} \times 2 = 132,8\text{ mm}$

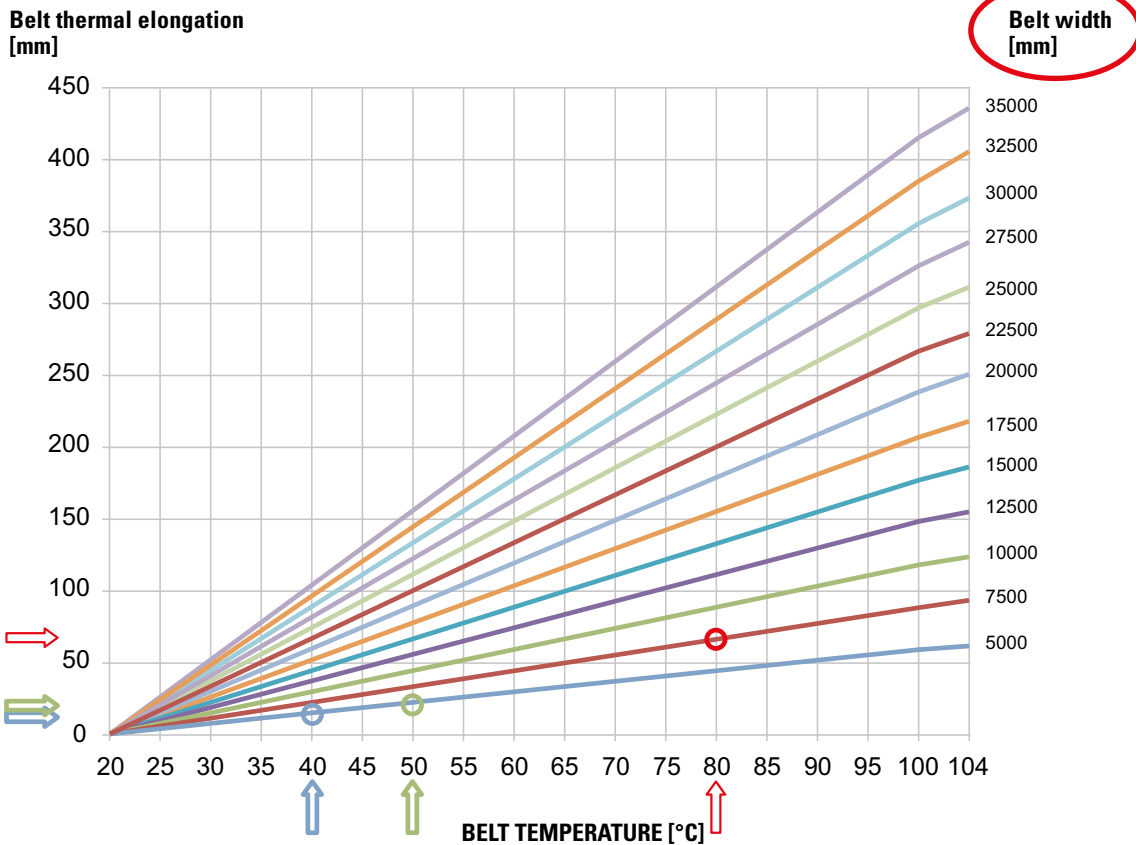
$\Delta I_{Zone3} = W_{Zone3} \cdot \Delta T_{Zone3} \cdot f = 5\text{ m} \times (50 - 21)^\circ\text{C} \times 0,15\text{ mm/m}^\circ\text{C} = 21,8\text{ mm} \times 2 = 43,6\text{ mm}$

$\Delta IE = 28,6\text{ mm} + 132,8\text{ mm} + 43,6\text{ mm}$

$\Delta IE = 205\text{ mm}$

Thermal belt elongation can also be read out of below diagram.

THERMAL ELONGATION OF PPG 2500RR BELT



MATERIALS AND CALCULATIONS - General index **7 3 5 1 0 a** -

◀ back continue ▶

7 3 5 1 5 a Product handling

7 3 5 2 4 a 90° product transfer with belts

7 3 5 4 2 a Bearing selection

7 3 5 1 9 a Product handling maximum acceleration

7 3 5 2 6 a Thermal expansion

7 3 5 4 7 a Bearing and shaft

7 3 5 2 2 a Pressure of accumulation products

7 3 5 3 3 a 2253RTC calculations

7 3 5 7 8 a Coefficient of friction of standard materials

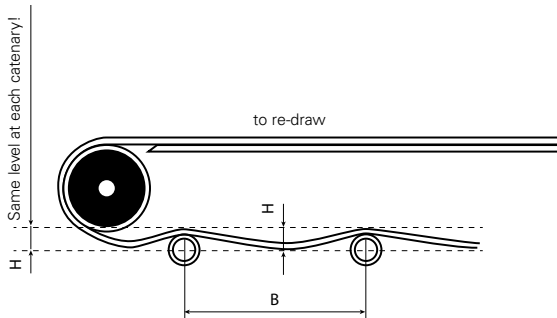
Chains & sprockets	Wear strips	Side guide brackets & accessories	Levelers	Engineering manual
Modular belts & sprockets	Chain & belt return systems	Frame & structure supports	Bearing supports	
Curves & tracks	Side guide solutions	Miscellaneous products	Equipment	



3. Determine the catenary height "H"

Example based on a belt elongation of $\Delta IE = 205$ mm, from thermal belt elongation example go to page code: **7 3 5 2 9 a** determined by calculation or by using the diagram for thermal elongation go to page code: **7 3 5 2 9 a**)

◀ back continue ▶



2500RR
Construction details.
Go to:
7 2 3 1 0 a

H = **B** x **h/b**

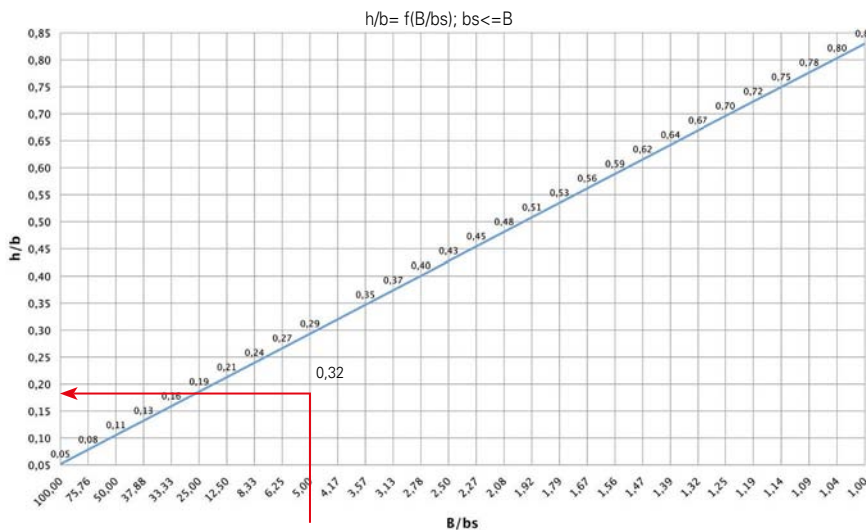
B = expected catenary length / distance between return roller (read out of drawing from the conveyor)

h/b = factor determined from the following diagram

bs = belt stretch (thermal elongation ΔIE from thermal belt elongation example go to page code: **7 3 5 2 9 a**)

Determined by calculation or by using the diagram for thermal elongation go to page code: **7 3 5 2 9 a**

catenary height as a function of belt stretch for all catenary lengths and as long as belt stretch is smaller than the catenary length



Example:

bs = $\Delta IE = 205$ mm

B = 1000 mm

B/bs = 1000 mm / 205 mm = 4,88 ≈ 5

h/b = 0,29 (read out of diagram)

H = **B** x **h/b** = 1000 mm x 0,29 = 290 mm

Note: Consider a minimum tolerance of +/-30 mm for the calculated catenary height



◀ back continue ▶

7 3 5 1 5 a Product handling

7 3 5 2 4 a 90° product transfer with belts

7 3 5 4 2 a Bearing selection

7 3 5 1 9 a Product handling maximum acceleration

7 3 5 2 6 a Thermal expansion

7 3 5 4 7 a Bearing and shaft

7 3 5 2 2 a Pressure of accumulation products

7 3 5 3 3 a 2253RTC calculations

7 3 5 7 8 a Coefficient of friction of standard materials



Chains & sprockets	Wear strips	Side guide brackets & accessories	Levelers	Engineering manual
Modular belts & sprockets	Chain & belt return systems	Frame & structure supports	Bearing supports	
Curves & tracks	Side guide solutions	Miscellaneous products	Equipment	

7 3 5 3 1 a 2500RR LOAD CAPACITY DEPENDING ON APPLICATION TEMPERATURE

RAISED RIB BELT 2500



◀ back

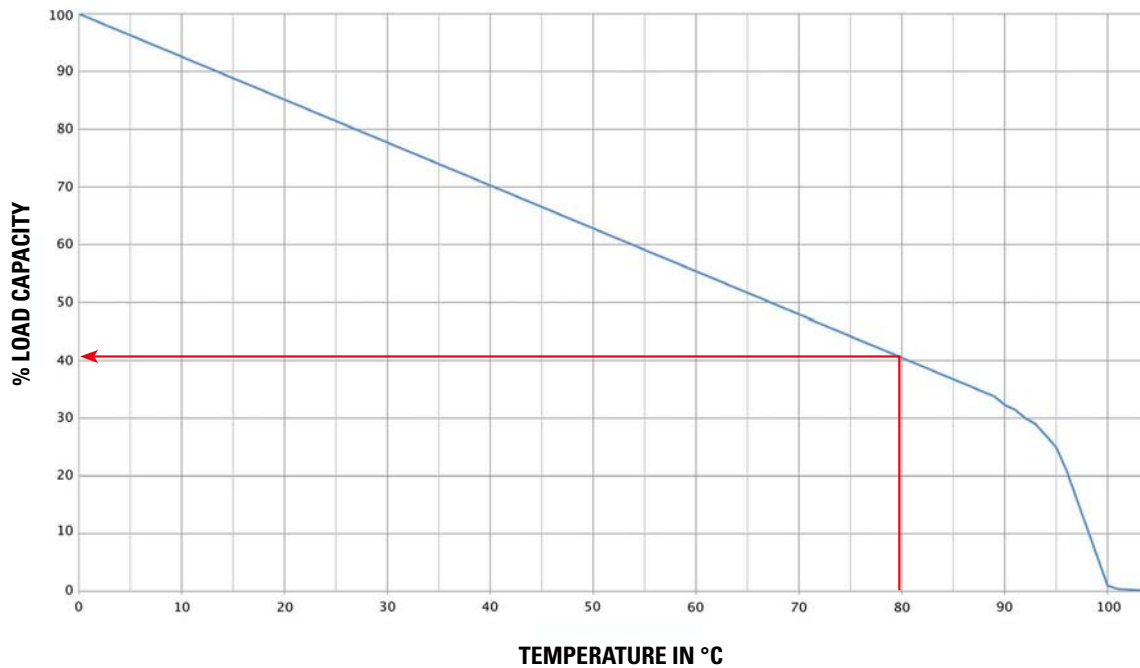
LOAD CAPACITY / TEMPERATURE GRAPH

NOTE: Mechanical properties of plastic materials degrade with the increasing temperature. The following graph indicates the remaining load capacity (%) as a function of the temperature.

2500RR
Construction details.
Go to:

7 2 3 1 0 a

LOAD CAPACITY AS A FUNCTION OF THE TEMPERATURE



EXAMPLE:

Identify the hottest section. (In the example before: section 2, 80° C)

The allowable max. load capacity/working load of the belt in that particular section is:

Factor 0,41 (read 41% out of diagram) x 30000 N/m = 12300 N/m.

It can happen that the middle section of a machine is more critical with respect to belt load than the drive section, due to the fact that the temperature at the drive is lower and therefore the allowable belt tension is higher.

This needs to be checked carefully.



MATERIALS AND CALCULATIONS - General index 7 3 5 1 0 a -

◀ back

7 3 5 1 5 a Product handling

7 3 5 2 4 a 90° product transfer with belts

7 3 5 4 2 a Bearing selection

7 3 5 1 9 a Product handling maximum acceleration

7 3 5 2 6 a Thermal expansion

7 3 5 4 7 a Bearing and shaft

7 3 5 2 2 a Pressure of accumulation products

7 3 5 3 3 a 2253RTC calculations

7 3 5 7 8 a Coefficient of friction of standard materials

Chains & sprockets	Wear strips	Side guide brackets & accessories	Levelers	Engineering manual
Modular belts & sprockets	Chain & belt return systems	Frame & structure supports	Bearing supports	
Curves & tracks	Side guide solutions	Miscellaneous products	Equipment	

7 3 5 3 3 a

2253RTC CALCULATIONS

2253 ROLLER TOP BELT



continue ►

1- LATERAL MOVEMENT

Auxiliary drive units underneath the belt, running at right angles to the direction of belt travel, enable lateral transfers (left- or right side sorting) of conveyed goods. It can also be used to position a product, for example in front of a palletizer. Since no push-off devices, etc., are necessary (more safe), this approach works to prevent jamming, and allows for compact, space-saving layouts and no safety guards are required.

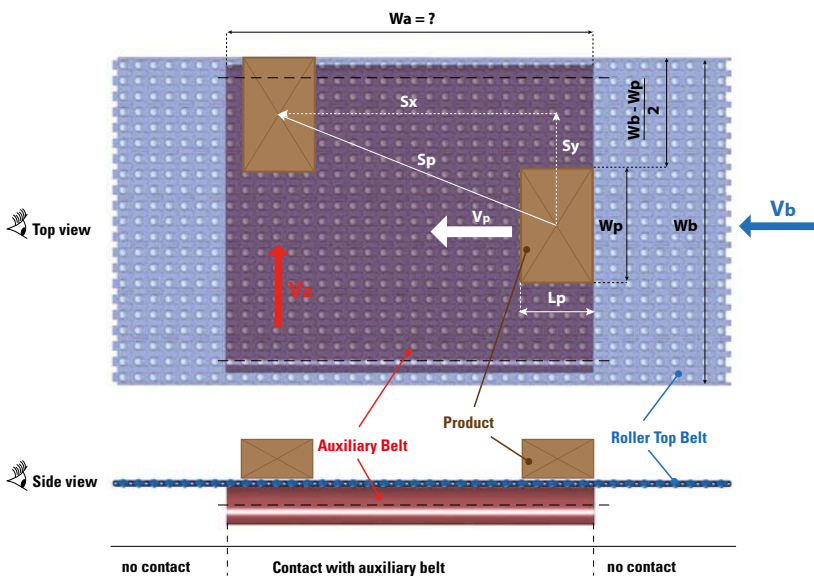
2253RTC
Construction details.
Go to:

7 2 2 9 0 a

2253RTC
Applications.
Go to:

7 2 6 2 5 a

EXAMPLE HOW TO MAKE A LATERAL MOVEMENT ON THE FLY (*)



GIVEN DATA:

Width of pack (W_p) = 240 mm;

Length of pack (L_p) = 360 mm

Capacity (P_r) = 30 p/min.

S_{out} = 150 mm

As a rule of thumbs, for a side shift with only one auxiliary belt, the minimum width of the auxiliary belt (1) should be at least 1,5 times the transversal dimension of the pack L_p .

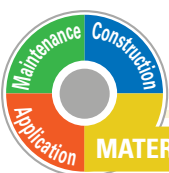
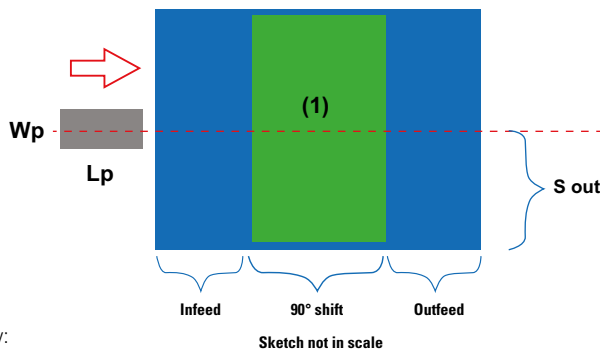
Bigger widths help in leaving more time to the movement thus reducing the speed of the auxiliary belt and consequently giving a better positioning of the pack (inertia results lower).

Minimum Width of the auxiliary belt (1) (W_a) will be calculated as follow:

$W_a = 1,5 \times 360 \text{ mm} = 540 \text{ mm} \approx 600 \text{ mm}.$

At the same time minimum pitch in feeding, centre to centre pack, needs to be equal or bigger than the auxiliary belt width to avoid packs to be rotated before being shifted. The minimum pitch will be equal to 600 mm.

(*) For stop and go motion the minimum width of the auxiliary belt W_a is equal to the product length L_p ($W_a = L_p$).



1 m = 3.28 ft

MATERIALS AND CALCULATIONS - General index 7 3 5 1 0 a -

continue ►

7 3 5 1 5 a Product handling

7 3 5 2 4 a 90° product transfer with belts

7 3 5 4 2 a Bearing selection

7 3 5 1 9 a Product handling maximum acceleration

7 3 5 2 6 a Thermal expansion

7 3 5 4 7 a Bearing and shaft

7 3 5 2 2 a Pressure of accumulation products

7 3 5 2 8 a 2500RR calculations

7 3 5 7 8 a Coefficient of friction of standard materials

Chains & sprockets	Wear strips	Side guide brackets & accessories	Levelers	Engineering manual
Modular belts & sprockets	Chain & belt return systems	Frame & structure supports	Bearing supports	
Curves & tracks	Side guide solutions	Miscellaneous products	Equipment	

7 3 5 3 4 a

2253RTC CALCULATIONS

2253 ROLLER TOP BELT



This pitch must be realized, by means of appropriate feeding/metering conveyors (for instance equipped with VG belts) before the packs climb on the roller top belt or on the infeed static of the roller top belt.

Bigger pitches have the effect to increase the speed of the Roller Top system but not the overall dimension of the application.

◀ back continue ▶

- Pack speed V_p :

$$V_p = \frac{\text{Pitch}}{1000} * P_r = 0.6 * 30 = 18 \text{ m/min}$$

- The speed of 2253RTC belt (V_{rt}) can be calculated considering the 2253 Roller Top belt itself running fully on spheres:

$$V_{rt} = \frac{1}{2} * V_p = 0.5 * 18 = 9 \text{ m/min}$$

- Time for the pack to climb on the area (1) (t_c)

$$t_c = \frac{\text{length of pack } L_p \text{ [mm]}}{\text{pack speed } V_p \left[\frac{\text{m}}{\text{min}} \right]} = \frac{360 * 60}{18 * 1000} = 1.2 \text{ s}$$

- Time to cross the auxiliary belt area (1) (t_a)

$$t_a = \frac{\text{overall length shift area [mm]}}{\text{pack speed } V_p \left[\frac{\text{m}}{\text{min}} \right]} = \frac{600 * 60}{18 * 1000} = 2 \text{ s}$$

Once the pack is fully on the area (1) the shift can start.



If the shift is earlier activated, the pack will be turned/misaligned instead of being shifted.

Note: In case the auxiliary belt is running continuously, the dimensions of the auxiliary belt area as well as the overall footprint can be reduced. In such case a more defined and precise controls of the belts timings are required.

- The time available for the side shift (t_s) is given by the difference of the time t_a and t_c

$$t_s = t_a - t_c = 2 - 1.2 = 0.8 \text{ s}$$

The pack is supposed to come on the Roller Top area about in the middle of it.

Consequently, the total travel distance to lead the outer front of the pack completely on the bay area is the sum of S_{out} + half of product width W_p .

- Considering this, the auxiliary belt speed V_a results:

$$V_a = \frac{S_{out} + \frac{W_p}{2} \text{ [mm]}}{t_s \text{ [s]}} = \frac{150 + 120}{0.8 * 1000} = 0.34 \text{ m/s} = 21 \text{ m/min}$$

The infeed is needed to have a stable pack before the shift (head to tail passage can affect the stability of the pack). It should be at least as big as the pack length.

Infeed = $L_p = 360 \text{ mm} \approx 400 \text{ mm}$;

The outfeed is recommendable but not mandatory. The outfeed dimensions should be in the same dimension range of the infeed.

Outfeed = Infeed = 400 mm

The overall footprint or length of the roller top and auxiliary conveyor system will be the sum of infeed, outfeed and shift area length.

Overall footprint = (400 + 600 + 400) mm = 1400 mm.

1 m	= 3.28 ft
1 m/min	= 3.28 ft/min
1 m/s	= 3.28 ft/s



MATERIALS AND CALCULATIONS - General index 7 3 5 1 0 a -

◀ back continue ▶

7 3 5 1 5 a Product handling

7 3 5 2 4 a 90° product transfer with belts

7 3 5 4 2 a Bearing selection

7 3 5 1 9 a Product handling maximum acceleration

7 3 5 2 6 a Thermal expansion

7 3 5 4 7 a Bearing and shaft

7 3 5 2 2 a Pressure of accumulation products

7 3 5 2 8 a 2500RR calculations

7 3 5 7 8 a Coefficient of friction of standard materials



Chains & sprockets	Wear strips	Side guide brackets & accessories	Levelers	Engineering manual
Modular belts & sprockets	Chain & belt return systems	Frame & structure supports	Bearing supports	
Curves & tracks	Side guide solutions	Miscellaneous products	Equipment	



2- ROTATION WITH PRODUCT STOPPED: TURNING DISC UNDERNEATH THE 2253RTC BELT

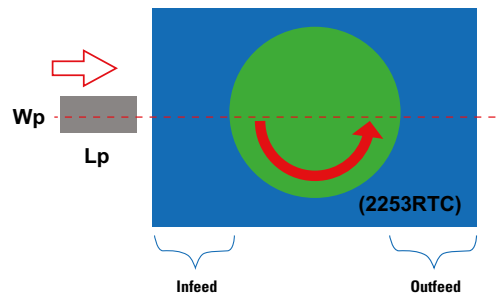
The main advantage of this configuration is the easier handling of the packs in terms of settings of drives required. On the other hand it's need of a fairly exact displacement of the pack in the centre of the table area for a good rotation.

◀ back continue ▶

EXAMPLE OF HOW TO DIMENSION AN APPLICATION OF ROTATION WITH PRODUCT STOPPED:

GIVEN DATA:

- Width of pack (**W_p**) = 240 mm;
- Length of pack (**L_p**) = 360 mm
- Capacity (**P_r**) = 30 p/min.
- Rotation angle (**α**) = 90°



2253RTC
Construction details.
Go to:
7 2 2 9 0 a

2253RTC
Applications.
Go to:
7 2 6 2 5 a

For a proper rotation, the diameter of the disk (**D_{TD}**) should be in the same range of the dimension of diagonal of the pack. Slightly bigger disks help in reducing the need of a precise placing in the centre of it. In case of big diagonal dimension, if possible, reduce the dimension of the disk to not expose ball placed on the outer diameter to too quick accelerations. Movement would result longer since less balls in contact.

• Disk diameter can be calculated as follow:

$$D_{TD} = \sqrt{W_p^2 + L_p^2} = \left(\sqrt{240^2 + 360^2} \right) \text{ mm} = 432 \text{ mm} \approx 450 \text{ mm}$$

At the same time minimum pitch in feeding, centre to centre pack, needs to be equal or bigger than the turning disk diameter. This to avoid the pack to be rotated when the previous pack is still on the turning disk area. The minimum pitch will be equal to 450 mm.

This pitch must be realized, by means of appropriate feeding/metering conveyors (for instance equipped with VG belts) before the products climb on the 2253RTC or on the infeed static of the roller top belt.



Bigger pitches have the effect to increase the speed of the RollerTop system but not the overall dimension of the application.

• The product speed **V_p** will be as follow:

$$V_p = \frac{\text{Pitch}}{1000} * P_r = 0.45 * 30 = 14 \text{ m/min}$$

• The speed of 2253RTC belt (VRT) can be calculated considering the 2253 Roller Top belt itself running fully on spheres:

$$V_{\pi} = \frac{1}{2} * V_p = 0.5 * 14 = 7 \text{ m/min}$$

1 m	= 3.28 ft
1 m/min	= 3.28 ft/min
1 m/s	= 3.28 ft/s



Chains & sprockets	Wear strips	Side guide brackets & accessories	Levelers	Engineering manual
Modular belts & sprockets	Chain & belt return systems	Frame & structure supports	Bearing supports	
Curves & tracks	Side guide solutions	Miscellaneous products	Equipment	

7 3 5 3 6 a

2253RTC CALCULATIONS

2253 ROLLER TOP BELT



The time available for the rotation (t_r) will be as follow:

$$t_r = \frac{\text{Pitch}}{1000 * V_p} = \frac{450}{1000} * \frac{60}{14} = 1.93 \text{ s}$$

The angular speed ω can be calculated through below formula:

$$\alpha = \omega * t_r$$

$$\text{So } \omega = \frac{\alpha}{t_r} = \frac{\frac{\pi}{2}}{1.93} = 0.81 \text{ rad/s} = 49 \text{ rad/min}$$

◀ back continue ▶

2253RTC
Construction details.
Go to:

7 2 2 9 0 a

2253RTC
Applications.
Go to:

7 2 6 2 5 a



Note: in this configuration, the conveyor must be stopped while the pack is rotating, and the pack should be as close as possible to the centre of the disk.

The infeed is recommended but not mandatory to have a stable product on conveyor before the rotation.

The infeed length should be at least as big as the pack: 360 mm ≈ 400 mm

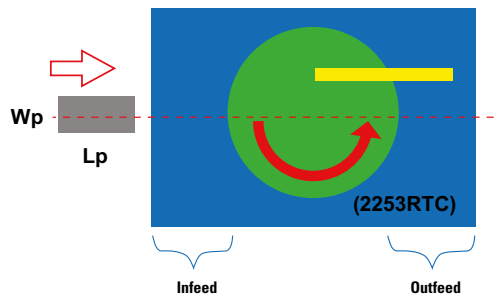
The outfeed is recommended too but not mandatory.

The outfeed length should be in the same dimension range of the dimension of the pack once rotated (i.e W_p): 240 mm ≈ 250 mm

The overall footprint or length of the roller top and turning disk system will be the sum of infeed, outfeed and rotation area diameter.

Overall footprint = (400 + 450 + 250) mm = 1100 mm.

Alternately, by placing a roller guide (in yellow) as shown in the sketch below is possible to keep the disk always in motion avoiding the stop of the conveyor during rotation.



MATERIALS AND CALCULATIONS - General index **7 3 5 1 0 a** -

◀ back continue ▶

7 3 5 1 5 a Product handling

7 3 5 2 4 a 90° product transfer with belts

7 3 5 4 2 a Bearing selection

7 3 5 1 9 a Product handling maximum acceleration

7 3 5 2 6 a Thermal expansion

7 3 5 4 7 a Bearing and shaft

7 3 5 2 2 a Pressure of accumulation products

7 3 5 2 8 a 2500RR calculations

7 3 5 7 8 a Coefficient of friction of standard materials



Chains & sprockets	Wear strips	Side guide brackets & accessories	Levelers	Engineering manual
Modular belts & sprockets	Chain & belt return systems	Frame & structure supports	Bearing supports	
Curves & tracks	Side guide solutions	Miscellaneous products	Equipment	

7 3 5 3 7 a

2253RTC CALCULATIONS

2253 ROLLER TOP BELT

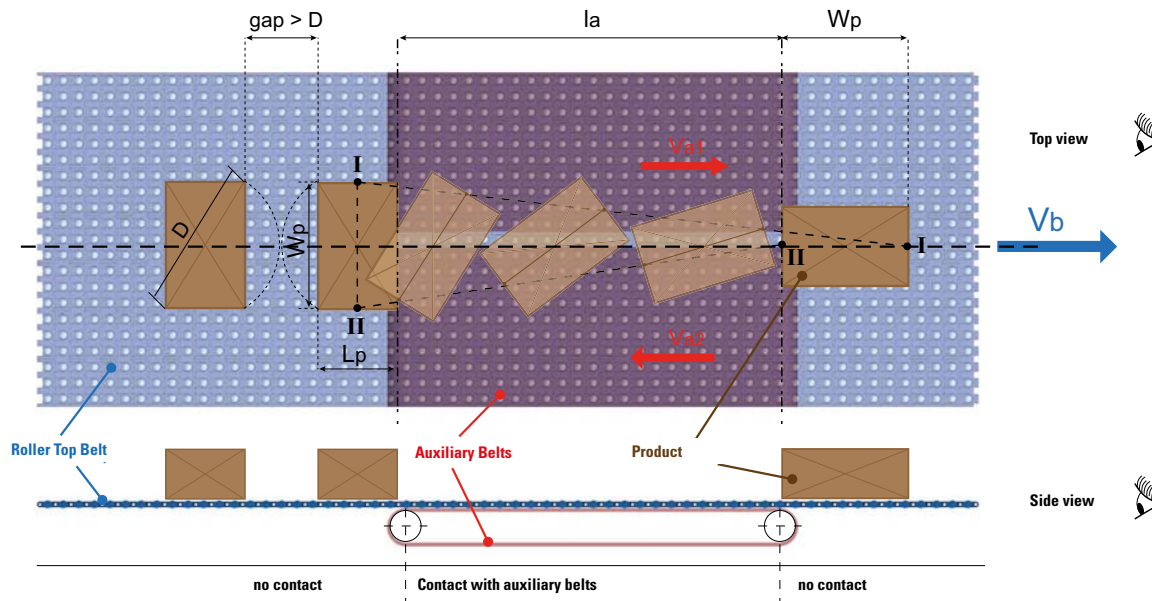


3- ROTATION WITH PRODUCT MOVING: AUXILIARY BELTS UNDERNEATH THE 2253RTC BELT

With two parallel auxiliary belts running underneath the 2253RTC belts at different directions, the packs positioned in between the auxiliary belts will rotate while moving on the 2253RTC belt.

◀ back continue ▶

EXAMPLE OF HOW TO DIMENSION AN APPLICATION OF ROTATION WITH PACK MOVING:



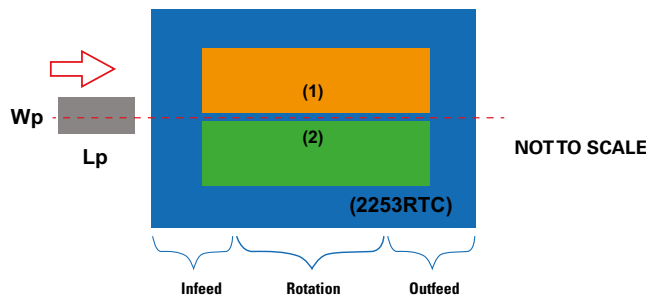
2253RTC
Construction details.
Go to:

7 2 2 9 0 a

2253RTC
Applications.
Go to:

7 2 6 2 5 a

Width of pack (W_p) = 240 mm;
Length of pack (L_p) = 360 mm
Capacity (P_r) = 30 p/min.
Rotation angle (α) = 90°



The minimum product pitch, centre to centre pack, needs to be equal or bigger than the product diagonal (D) in order to avoid product touching each other during the rotation.

- The minimum pitch will be equal to

$$\text{Pitch} = D = \sqrt{W_p^2 + L_p^2} = (\sqrt{240^2 + 360^2}) \text{ mm} = 432 \text{ mm} \approx 450 \text{ mm}$$

This dimension is also corresponding to the minimum product pitch in feeding, centre to centre pack. This pitch must be realized, by means of appropriate feeding/metering conveyors (for instance equipped with VG belts) before the packs climb on the 2253RTC or on the infeed static of the roller top belt.



1 m = 3.28 ft

◀ back continue ▶

MATERIALS AND CALCULATIONS - General index 7 3 5 1 0 a -

7 3 5 1 5 a Product handling

7 3 5 2 4 a 90° product transfer with belts

7 3 5 4 2 a Bearing selection

7 3 5 1 9 a Product handling maximum acceleration

7 3 5 2 6 a Thermal expansion

7 3 5 4 7 a Bearing and shaft

7 3 5 2 2 a Pressure of accumulation products

7 3 5 2 8 a 2500RR calculations

7 3 5 7 8 a Coefficient of friction of standard materials

Chains & sprockets	Wear strips	Side guide brackets & accessories	Levelers	Engineering manual
Modular belts & sprockets	Chain & belt return systems	Frame & structure supports	Bearing supports	
Curves & tracks	Side guide solutions	Miscellaneous products	Equipment	

7 3 5 3 8 a

2253RTC CALCULATIONS

2253 ROLLER TOP BELT



Bigger pitches have the effect to increase the speed of the RollerTop system but not the overall dimension of the application.

◀ back continue ▶

- The pack speed V_p will be as follow:

$$V_p = \frac{\text{Pitch}}{1000} * P_r = 0.45 * 30 = 14 \text{ m/min}$$

- The speed of 2253RTC belt (V_{RT}) can be calculated considering the 2253 RollerTop belt itself running fully on spheres:

$$V_{RT} = \frac{1}{2} * V_p = 0.5 * 14 = 7 \text{ m/min}$$

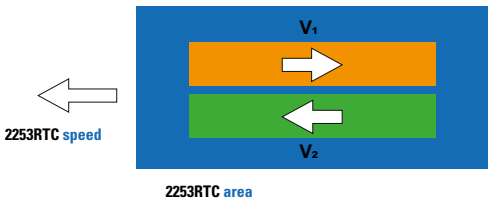
It is recommended to keep the length of auxiliary belts (1) e (2) at least equal 1,5 times the diagonal (D) of the product. So, the minimum length of auxiliary belts (1) and (2) will be:

$$L_a = 1.5 * D = 1.5 * 450 \text{ mm} = 675 \text{ mm} \approx 700 \text{ mm}$$

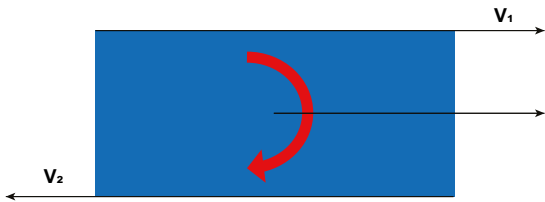
The time to cross (t_a) the auxiliary belt area (1) and (2) will be as follow:

$$t_a = \frac{\text{overall length shift area } L_a [\text{mm}]}{\text{pack speed } V_p [\frac{\text{m}}{\text{min}}]} = \frac{700}{1000} * \frac{60}{18} = 2.33 \text{ s}$$

Considering V_1 and V_2 the speeds given to the spheres by the auxiliary belts (1) and (2) underneath.



The speed of the gravity centre of the product is 7 m/min.

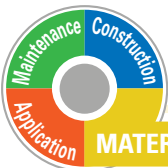


- Considering the angular speed ω of the pack the following relations are valid:

$$\alpha = \omega * t_a$$

$$\text{So } \omega = \frac{\alpha}{t_a} = \frac{\frac{\pi}{2}}{2} = 0.79 \text{ rad/s} = 47 \text{ rad/min}$$

1 m	= 3.28 ft
1 m/min	= 3.28 ft/min
1 m/s	= 3.28 ft/s



MATERIALS AND CALCULATIONS - General index **7 3 5 1 0 a** -

◀ back continue ▶

7 3 5 1 5 a Product handling

7 3 5 2 4 a 90° product transfer with belts

7 3 5 4 2 a Bearing selection

7 3 5 1 9 a Product handling maximum acceleration

7 3 5 2 6 a Thermal expansion

7 3 5 4 7 a Bearing and shaft

7 3 5 2 2 a Pressure of accumulation products

7 3 5 2 8 a 2500RR calculations

7 3 5 7 8 a Coefficient of friction of standard materials



Chains & sprockets	Wear strips	Side guide brackets & accessories	Levelers	Engineering manual
Modular belts & sprockets	Chain & belt return systems	Frame & structure supports	Bearing supports	
Curves & tracks	Side guide solutions	Miscellaneous products	Equipment	

7 3 5 3 9 a

2253RTC CALCULATIONS

2253 ROLLER TOP BELT



The required difference speed to rotate the product will be:

$$(V_1 - V_2) = 0.79 * 225 = 0.17 \text{ m/s} = 11 \text{ m/min}$$

◀ back continue ▶

Another way to calculate the difference in speed of balls can be used. See following relation:

Considering V_{a1} , the speed given to the auxiliary belt (1) and opposite in respect to V_1 (actual speed of balls under auxiliary belt (1));



2253RTC
Construction details.
Go to:

7 2 2 9 0 a

2253RTC
Applications.
Go to:

7 2 6 2 5 a

Similarly, but opposite in running direction is V_{a2} :



Thus:

$$(V_1 - V_2) = 2 * V_{RT} + V_{a1} - (2 * V_{RT} - V_{a2}) = V_{a1} + V_{a2} = 11 \text{ [m/min]}$$

From the above relation is therefore possible to determine the real speeds V_{a1} and V_{a2} of the auxiliary belts by combining two speeds at choice V_1 and V_2 .

For instance, considering fixed the difference in speed ($V_1 - V_2$):

$$(V_1 - V_2) = 11 \text{ m/min ;}$$

$$V_1 = 20 \text{ m/min ;}$$

$$V_2 = V_1 + 11 \text{ m/min} = (20 + 11) \text{ m/min} = 31 \text{ m/min.}$$

The auxiliary belt (1) will run in the same sense of the main belt with a speed V_{a1} .

$$V_{a1} = V_1 - 2 * V_{RT} = (20 - 7 * 2) \text{ m/min} = 6 \text{ m/min}$$

While the auxiliary belt (2) will run in the opposite sense of the main belt with a speed $V_{a2} = 31 - 7 * 2 = 17 \text{ m/min}$

$$V_{a2} = V_2 - 2 * V_{RT} = (31 - 7 * 2) \text{ m/min} = 17 \text{ m/min}$$

1 m	= 3.28 ft
1 m/min	= 3.28 ft/min
1 m/s	= 3.28 ft/s



MATERIALS AND CALCULATIONS - General index 7 3 5 1 0 a -

◀ back continue ▶

7 3 5 1 5 a Product handling

7 3 5 2 4 a 90° product transfer with belts

7 3 5 4 2 a Bearing selection

7 3 5 1 9 a Product handling maximum acceleration

7 3 5 2 6 a Thermal expansion

7 3 5 4 7 a Bearing and shaft

7 3 5 2 2 a Pressure of accumulation products

7 3 5 2 8 a 2500RR calculations

7 3 5 7 8 a Coefficient of friction of standard materials



Chains & sprockets	Wear strips	Side guide brackets & accessories	Levelers	Engineering manual
Modular belts & sprockets	Chain & belt return systems	Frame & structure supports	Bearing supports	
Curves & tracks	Side guide solutions	Miscellaneous products	Equipment	

7 3 5 4 0 a

2253RTC CALCULATIONS

2253 ROLLER TOP BELT



◀ back

In case of use of two speeds opposite to the running direction of the product (Fig. A), the following relation is valid:

$$(V_1 - V_2) = 2 * V_{RT} + V_{a1} - (2 * V_{RT} + V_{a2}) = V_{a1} - V_{a2} \text{ m/min}$$

This configuration requires higher speeds of the auxiliary belts and has the main advantage of the better control and stable product rotation.

At last, it is also possible to use a fixed plate instead of one of the two auxiliary belts (Fig. B).

This solution makes application cheaper (one less drive and auxiliary belt) but has the disadvantage to lead to an higher speed of the auxiliary belt, thus potential higher wear rate.

The infeed is needed to have a stable pack before the rotation (head to tail passage can affect the stability).

The infeed length should be at least as big as the product length: 360 mm ≈ 400 mm

The outfeed is recommended too but not mandatory.

The outfeed length should be in the same dimension range of the dimension of the pack once rotated (Wp): 240 mm ≈ 250 mm.

The overall footprint or length of the roller top and auxiliary belts system will be the sum of infeed, outfeed and shift area length.

Overall footprint = (400 + 700 + 250) mm = 1350 mm.

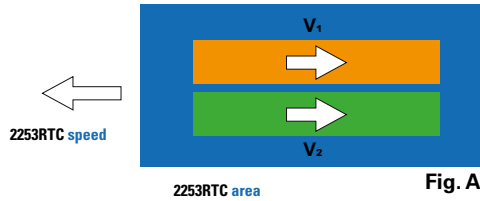


Fig. A

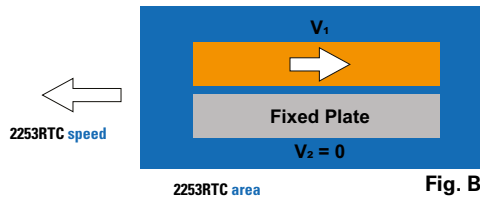


Fig. B

2253RTC Construction details.

Go to: **7 2 2 9 0 a**

2253RTC Applications.

Go to: **7 2 6 2 5 a**



Note: The SSL (Short Side Leading) rotation is generally less efficient than LSL (Long Side Leading) since the number of balls in contact at the beginning as well as arm of rotation is smaller.

Rotation could therefore seem not to start immediately and then be sudden.

In case of high speed differentials of $(V_1 - V_2)$ is recommendable to increase the auxiliary belts area (the length) to speeds lower and thus realize a smoother rotation.

For a properly working rotation we advise a **length/width ratio of max. 2**



1 m	= 3.28 ft
1 m/min	= 3.28 ft/min
1 m/s	= 3.28 ft/s

MATERIALS AND CALCULATIONS - General index **7 3 5 1 0 a** -

◀ back

7 3 5 1 5 a Product handling

7 3 5 2 4 a 90° product transfer with belts

7 3 5 4 2 a Bearing selection

7 3 5 1 9 a Product handling maximum acceleration

7 3 5 2 6 a Thermal expansion

7 3 5 4 7 a Bearing and shaft

7 3 5 2 2 a Pressure of accumulation products

7 3 5 2 8 a 2500RR calculations

7 3 5 7 8 a Coefficient of friction of standard materials

Chains & sprockets	Wear strips	Side guide brackets & accessories	Levelers	Engineering manual
Modular belts & sprockets	Chain & belt return systems	Frame & structure supports	Bearing supports	
Curves & tracks	Side guide solutions	Miscellaneous products	Equipment	

7 3 5 4 2 a

BEARING SELECTION

BEARING



continue ►

Bearing mounting.
Go to:
7 3 0 5 2 a ►

BEARING SELECTION:

The following general information will serve the purpose of aiding the machine designer or bearing user when applying the bearings covered in System Plast® catalog.

Before beginning the bearing selection for a particular application, it is important to have a good idea of where the bearing will be installed, what its purpose will be, what operating conditions will the bearing be expected to function in, and a desired bearing life. Each bearing type has certain characteristics which make it suitable for a certain application(s). Having comprehensive knowledge of these requirements will aid in bearing selection. In most cases, there are several factors to consider when choosing a bearing type. Therefore, the following information is to be used only as a guide. In the selection process the following factors must be considered:

magnitude and direction of load; misalignment (static or dynamic), noise; vibration and shock loading, environment and bearing type.

LOAD - MAGNITUDE AND DIRECTION

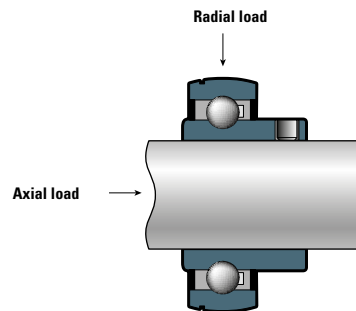
Load magnitude typically dictates size of bearing required but it can also affect the type of bearing. Ball bearings work well in light to moderate loads typical of conveyor applications. Load direction can be radial, axial, or a combination of these two directions. These directions along with load magnitude are deciding factors in selection of bearing type.

System Plast® bearings are mostly used in application where there are only radial load or radial loading plus slight axial load.

Radial loading is the most common type of bearing load and is defined as a load perpendicular to the shaft center line. Most ball bearings are designed to accept primarily radial loads.

Axial loading is defined as loading in the direction through the shaft centerline.

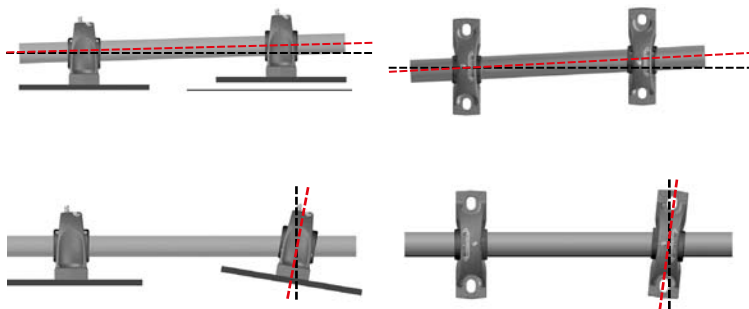
Combination loading consists of both a radial and a thrust load acting simultaneously on the bearing. When combination loads are acting on a bearing it is necessary to determine an equivalent radial load when calculating bearing life.



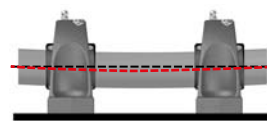
MISALIGNMENT

Bearing misalignment is a result of angular misalignment between the shaft and housing. This misalignment comes in two different forms, static and dynamic. Static misalignment is the outcome of bearings that are mounted on different planes causing an angular shaft displacement and resulting in the bearing operating under fixed misalignment angle. Mounted ball bearings have a design feature that allows them to accommodate a limited degree of fixed misalignment. Dynamic misalignment is an eccentric shaft rotation caused by shafting imperfections and resulting in the bearing operating under a varying misalignment angle.

Static System Misalignment



Dynamic System Misalignment



Each bearing type is capable of accommodating a certain amount of either static, dynamic, or combination misalignment. When application misalignment exceeds the allowable limit for the particular bearing, increased contact stresses between bearing rolling elements and raceways occurs and bearing life is reduced. Individual product sections contain additional information regarding degrees of misalignment each bearing type is capable of handling.



MATERIALS AND CALCULATIONS - General index **7 3 5 1 0 a** -

continue ►

7 3 5 4 7 a Bearing and shaft

7 3 5 2 2 a Pressure of accumulation products

7 3 5 2 8 a 2500RR calculations

7 3 5 1 5 a Product handling

7 3 5 2 4 a 90° product transfer with belts

7 3 5 3 3 a 2253RTC calculations

7 3 5 1 9 a Product handling maximum acceleration

7 3 5 2 6 a Thermal expansion

7 3 5 7 8 a Coefficient of friction of standard materials



Chains & sprockets	Wear strips	Side guide brackets & accessories	Levelers	Engineering manual
Modular belts & sprockets	Chain & belt return systems	Frame & structure supports	Bearing supports	
Curves & tracks	Side guide solutions	Miscellaneous products	Equipment	

7 3 5 4 3 a

BEARING SELECTION

BEARING



NOISE:

Noise sensitive applications require smooth running of bearings. These are typically low duty environments which makes ball bearings a good choice. Concentric or Skwezloc® locking mechanisms are preferred to keep vibration at a minimum.

◀ back continue ▶

VIBRATION AND SHOCK LOADING:

Vibration and shock loading can be present in some applications and can transfer large forces to bearings and accompanying raceways. These loads create large stresses at the interface between the rolling elements and raceways and can cause considerable damage and a reduction of bearing life.

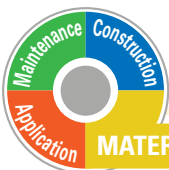
Bearing mounting.
Go to:
7 3 0 5 2 a ▶

ENVIRONMENT:

Environmental factors such as solids contamination exposure to moisture and thermal conditions are important variables in bearing selection. Bearing components (seals, grease, bearing material, etc..) can be modified in order to better suit a specialized application. Availability of special features may be affected by shaft size, bearing type, and housing type therefore this must be considered in the bearing selection process. Individual product sections contain additional information regarding these specialized features and availability.

BEARING TYPE: RADIAL BALL BEARINGS

Radial ball bearings create a fairly small elliptical contact between the ball-path and rolling element thus distributing loads across a small area. Surface contact is minimized and less friction and heat is generated which allows ball bearings a higher speed range. This small contact area also limits ball bearings to accepting only light to moderate loads. Radial ball bearings have a zero-degree free contact angle but can accept light thrust loads (in combination with a radial load) due to the shape geometry of their raceways. Mounted ball bearing units have some degree of external static self-aligning capability (the bearing insert can misalign with respect to the housing). Mounted ball bearings come in a variety of housing styles and features to suit a wide variety of applications. Only "radial" ball-bearing type are available from System Plast® product range.



MATERIALS AND CALCULATIONS - General index 7 3 5 1 0 a -

◀ back continue ▶

7 3 5 4 7 a Bearing and shaft

7 3 5 2 2 a Pressure of accumulation products

7 3 5 2 8 a 2500RR calculations

7 3 5 1 5 a Product handling

7 3 5 2 4 a 90° product transfer with belts

7 3 5 3 3 a 2253RTC calculations

7 3 5 1 9 a Product handling maximum acceleration

7 3 5 2 6 a Thermal expansion

7 3 5 7 8 a Coefficient of friction of standard materials

Chains & sprockets	Wear strips	Side guide brackets & accessories	Levelers	Engineering manual
Modular belts & sprockets	Chain & belt return systems	Frame & structure supports	Bearing supports	
Curves & tracks	Side guide solutions	Miscellaneous products	Equipment	

7 3 5 4 4 a

BEARING SELECTION

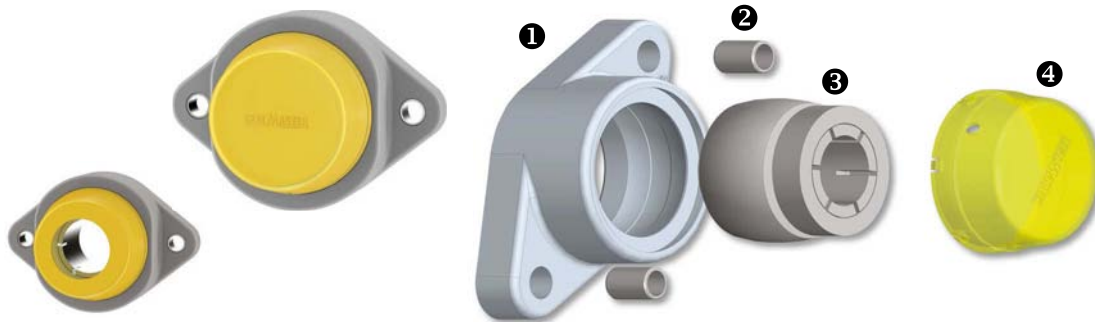
BEARING



BEARINGS DRAWING EXPLODED VIEW

FREE MAINTENANCE BEARING: TRIATHLON® WASHDOWN BEARING - 2 HOLE VERSIONS - SKWEZLOC® BEARING

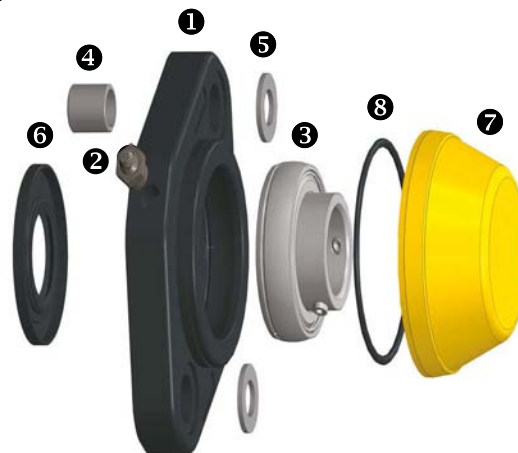
◀ back continue ▶



Bearing mounting.
Go to:
7 3 0 5 2 a

POS.	ITEM DESCRIPTION	QTY
1	Bearing housing machined oval	1
2	Spacer Ø 14mm	2
3	Bearing PN-206T with SKWEZLOC® concentric locking collar	1
4	Safety cap	1

FLANGED HOUSINGS - 2 HOLE VERSIONS - GRUB SCREW LOCK



POS.	ITEM DESCRIPTION	QTY
1	Bearing housing machined oval	1
2	Grease nipple 1/8"	1
3	Bearing with screw	1
4	Spacer Ø 14mm	2
5	Washer	2
6	Heavy ring double lips	1
7	Safety cap	1
8	O-ring	1



MATERIALS AND CALCULATIONS - General index **7 3 5 1 0 a** -

◀ back continue ▶

7 3 5 4 7 a Bearing and shaft

7 3 5 2 2 a Pressure of accumulation products

7 3 5 2 8 a 2500RR calculations

7 3 5 1 5 a Product handling

7 3 5 2 4 a 90° product transfer with belts

7 3 5 3 3 a 2253RTC calculations

7 3 5 1 9 a Product handling maximum acceleration

7 3 5 2 6 a Thermal expansion

7 3 5 7 8 a Coefficient of friction of standard materials



Chains & sprockets	Wear strips	Side guide brackets & accessories	Levelers	Engineering manual
Modular belts & sprockets	Chain & belt return systems	Frame & structure supports	Bearing supports	
Curves & tracks	Side guide solutions	Miscellaneous products	Equipment	

7 3 5 4 5 a

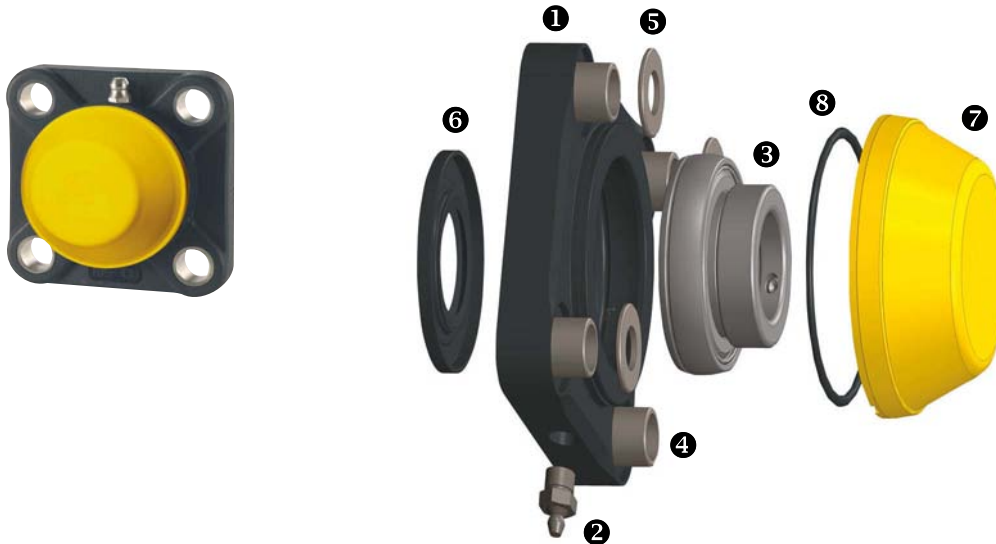
BEARING SELECTION

BEARING



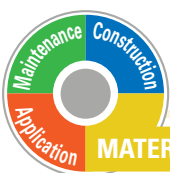
◀ back

FLANGED HOUSINGS - 4 HOLE VERSIONS - ECCENTRIC LOCK



Bearing mounting.
Go to:
7 3 0 5 2 a

POS.	ITEM DESCRIPTION	QTY
1	Bearing Housing	1
2	Grease nipple 1/8"	1
3	Bearing with eccentric ring	1
4	Spacer	4
5	Washer	4
6	Heavy ring double lips	1
7	Safety cap	1
8	O-ring	1



MATERIALS AND CALCULATIONS - General index **7 3 5 1 0 a** -

◀ back

7 3 5 4 7 a Bearing and shaft

7 3 5 2 2 a Pressure of accumulation products

7 3 5 2 8 a 2500RR calculations

7 3 5 1 5 a Product handling

7 3 5 2 4 a 90° product transfer with belts

7 3 5 3 3 a 2253RTC calculations

7 3 5 1 9 a Product handling maximum acceleration

7 3 5 2 6 a Thermal expansion

7 3 5 7 8 a Coefficient of friction of standard materials



Chains & sprockets	Wear strips	Side guide brackets & accessories	Levelers	Engineering manual
Modular belts & sprockets	Chain & belt return systems	Frame & structure supports	Bearing supports	
Curves & tracks	Side guide solutions	Miscellaneous products	Equipment	

7 3 5 4 7 a

BEARING AND SHAFT

BEARING

SHAFT SIZE:

THE SHAFT MUST FULFILL THE FOLLOWING CONDITIONS:

- Maximum shaft deflection F_{max} under full load (F_w) is 2,5 mm (0.10 in). If the calculated shaft deflection exceeds this max value, select a bigger shaft size or install an intermediate supported bearing on the shaft.
- Torque (**Ts**) at maximum load must be below critical value;
Shaft maximum deflection under concentrated load applied in the center can be calculated with following formula:



continue ►

Bearing mounting.

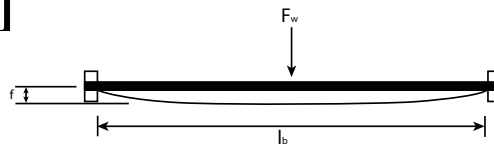
Go to:

7 3 0 5 2 a

2 BEARINGS

$$f = \frac{5}{384} * F_w \frac{l_b^3}{E * I} \text{ [mm]: } F_w \text{ [N], } l_b \text{ [mm], } I \text{ [mm}^4\text{], } E \left[\frac{\text{N}}{\text{mm}^2} \right]$$

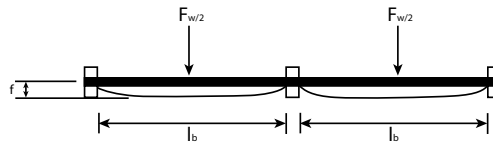
$$f = \frac{5}{384} * F_w \frac{l_b^3}{E * I} \text{ [in]: } F_w \text{ [lb], } l_b \text{ [in], } I \text{ [in}^4\text{], } E \left[\frac{\text{lb}}{\text{in}^2} \right]$$



3 BEARINGS

$$f = \frac{1}{370} * F_w \frac{l_b^3}{E * I} \text{ [mm]: } F_w \text{ [N], } l_b \text{ [mm], } I \text{ [mm}^4\text{], } E \left[\frac{\text{N}}{\text{mm}^2} \right]$$

$$f = \frac{1}{370} * F_w \frac{l_b^3}{E * I} \text{ [in]: } F_w \text{ [lb], } l_b \text{ [in], } I \text{ [in}^4\text{], } E \left[\frac{\text{lb}}{\text{in}^2} \right]$$



For uni-directional head drive $F_w = T_s$,

For bi-directional center drive $F_w = 2 * T_s$,

For uni-directional pusher drives $F_w = 2.2 * T_s$,

For modulus of elasticity (E) use: 200.000 N/mm² or 28.500.000 lb/in². Values are for carbon steel (C50) or stainless steel AISI 304/316. Modulus of elasticity for other materials can be referenced via industry standards.

MOMENT OF INERTIA FOR SOLID SHAFTS (I)			
SHAFT SIZE		INERTIA	
mm	in.	mm ⁴	in ⁴
SQUARE SHAFTS			
25	-	32552	-
40	-	213333	-
60	-	1080000	-
90	-	5467500	-

Moment of inertia can be calculated for all shaft diameter and shape. It's a geometrical property of the shaft.

MOMENT OF INERTIA FOR SOLID SHAFTS (I)			
SHAFT SIZE		INERTIA	
mm	in.	mm ⁴	in ⁴
ROUND SHAFTS			
20	-	7850	-
25	-	19150	-
30	-	39750	-
35	-	73650	-
40	-	125600	-
45	-	201200	-
50	-	306650	-
55	-	449000	-
60	-	635850	-
80	-	2009600	-
90	-	3220000	-
-	1	-	0.049
-	1.1875	-	0.098
-	1.25	-	0.120
-	1.4375	-	0.210
-	1.5	-	0.248



MATERIALS AND CALCULATIONS - General index 7 3 5 1 0 a -

continue ►

7 3 5 4 2 a Bearing selection

7 3 5 2 2 a Pressure of accumulation products

7 3 5 2 8 a 2500RR calculations

7 3 5 1 5 a Product handling

7 3 5 2 4 a 90° product transfer with belts

7 3 5 3 3 a 2253RTC calculations

7 3 5 1 9 a Product handling maximum acceleration

7 3 5 2 6 a Thermal expansion

7 3 5 7 8 a Coefficient of friction of standard materials



Chains & sprockets	Wear strips	Side guide brackets & accessories	Levelers	Engineering manual
Modular belts & sprockets	Chain & belt return systems	Frame & structure supports	Bearing supports	
Curves & tracks	Side guide solutions	Miscellaneous products	Equipment	



◀ back continue ▶

BEARING CALCULATIONS FOR SERIES UC AND UF:

STATIC LOAD CALCULATION:

In case the bearing is loaded without rotating, very slowly rotating or is making a slow oscillating movement, the bearing power is not determined by the fatigue life of the material but by the deformation of the rollers and the groove. This calculation is also valid if at a fraction of the rotation a shock load is present.

$$P_0 = X_0 * F_r + Y_0 * F_a = 0.6 * F_r + 0.5 * F_a$$

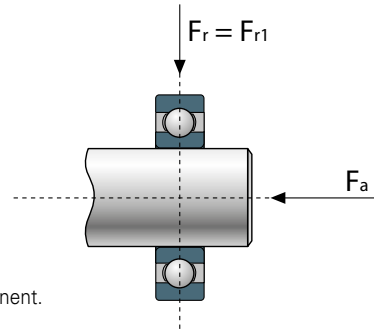
P_0 equivalent static load [N];

X_0 radial static factor;

F_r radial load [N];

Y_0 axial static factor;

F_a axial load [N];



Bearing mounting.
Go to:
7 3 0 5 2 a

P_0 is calculated when there is not only a radial component in the load but also an axial component.

When the load on the bearing is strictly radial the equivalent static load $P_0 = F_r$.

The minimum static load coefficient C_0 is calculated while taking into account the static safety factor S_0 .

Then in the bearing tables the right size bearing can be found checking the C_0 .

$$C_0 = S_0 * P_0$$

C_0 static load coefficient in [N]

S_0 static safety factor;

$S_0 = 1$ for normal circumstances,
= 1.5 when vibrations are involved and
= 2 - 2.5 for noiseless applications.

DYNAMIC LOAD CALCULATION:

For normal circumstances, the dynamic load coefficient is calculated and compared to the equivalent dynamic load to determine the theoretical service life of the bearing. The calculated service life is then compared to the standard for the application and industry.

$$L_{10} = \left(\frac{C}{P} \right)^3$$

L_{10} = nominal life time in millions of revolutions
 C = dynamic load coefficient in [N]
 P = equivalent dynamic load [N]

When bearings run at constant speed, their life can be determined in working hours:

$$L_{10h} = \frac{1.000.000}{60n} * \left(\frac{C}{P} \right)^3$$

L_{10h} = life in hours.
 n = speed [rpm].

When the load on the bearing is strictly radial the equivalent dynamic load $P = F_r$.

When there's also an axial load involved the equivalent dynamic load is:

$$P = X * F_r + Y * F_a$$



◀ back continue ▶



Chains & sprockets	Wear strips	Side guide brackets & accessories	Levelers	Engineering manual
Modular belts & sprockets	Chain & belt return systems	Frame & structure supports	Bearing supports	
Curves & tracks	Side guide solutions	Miscellaneous products	Equipment	



X radial dynamic factor;

Y axial dynamic factor;

The axial force only influences the equivalent dynamic load when $F_a / F_r > E$

◀ back continue ▶

CALCULATION FACTORS					
F_A/C_0	E	$F_A/F_R < E$		$F_A/F_R > E$	
		X	Y	X	Y
0.025	0.22	1	0	0.56	2
0.04	0.24	1	0	0.56	1.8
0.07	0.27	1	0	0.56	1.6
0.13	0.31	1	0	0.56	1.4
0.25	0.37	1	0	0.56	1.2
0.5	0.44	1	0	0.56	1

Bearing mounting.

Go to:

7 3 0 5 2 a

THE AXIAL LOAD SHOULD NEVER EXCEED 20% OF THE DYNAMIC LOAD COEFFICIENT (C).

INDICATIVE SPEED FOR SHAFT TOLERANCES:

SHAFT DIAMETER		SHAFT TOLERANCES				
		h6	h7	h8	h9	h11
Limiting speeds - Shaft tolerance						
mm	in.	RPM				
Ø12	-	9500	6000	4300	1500	950
Ø15	-	9500	6000	4300	1500	950
Ø16	-	9500	6000	4300	1500	950
Ø17	-	9500	6000	4300	1500	950
Ø20	-	8500	5300	3800	1300	850
Ø25	-	7000	4500	3200	1000	700
Ø30	-	6300	4000	2800	900	630
Ø35	-	5300	3400	2200	750	530
Ø40	-	4800	3000	1900	670	480
-	Ø1	7000	4500	3200	1000	700
-	Ø1 3/16	6300	4000	2800	900	630
-	Ø1 1/4	5600	3600	2500	800	550
-	Ø1 7/16	5300	3400	2200	750	530
-	Ø1 1/2	5000	3100	2000	700	500



◀ back continue ▶

7 3 5 4 2 a Bearing selection

7 3 5 2 2 a Pressure of accumulation products

7 3 5 2 8 a 2500RR calculations

7 3 5 1 5 a Product handling

7 3 5 2 4 a 90° product transfer with belts

7 3 5 3 3 a 2253RTC calculations

7 3 5 1 9 a Product handling maximum acceleration

7 3 5 2 6 a Thermal expansion

7 3 5 7 8 a Coefficient of friction of standard materials



Chains & sprockets	Wear strips	Side guide brackets & accessories	Levelers	Engineering manual
Modular belts & sprockets	Chain & belt return systems	Frame & structure supports	Bearing supports	
Curves & tracks	Side guide solutions	Miscellaneous products	Equipment	

7 3 5 5 0 a

BEARING AND SHAFT

BEARING



◀ back

MAXIMUM RADIAL LOAD CAPACITY OF HOUSING:

Values indicated in the table below, are obtained at 23°C. Value indicated: N, Values of polyamide version (values of polypropylene version in brackets). For further information please consult System Plast® SmartGuide® pages regarding bearing type you are interested in.

Series SQL ø mm				
12-15-16-17	6500	(-)	6000	(-)
20	5800	(-)	5300	(-)

Series UCFH/UCFH-R ø mm				
12-15-16-17	6500	(-)	7000	(-)
20	7000	(-)	7500	(-)
25	7500	(-)	8000	(-)
30	8000	(-)	8800	(-)
35	8500	(-)	9000	(-)

Bearing mounting. Go to:

7 3 0 5 2 a

Series UCFL/UCFL-W ø mm				
20	6900	(3200)	7500	(3500)
25	6750	(2950)	7200	(3000)
30	12000	(5800)	13000	(6000)
35	11000	(5300)	12800	(6000)
40	10800	(5100)	12850	(5800)

Series UCFO/UCFO-R ø mm				
12-15-16-17	12000	(-)	12000	(-)
20	12500	(-)	11500	(-)
25	12500	(-)	11500	(-)
30	12800	(-)	11000	(-)
35	12300	(-)	10500	(-)
40	12000	(-)	10000	(-)

Series UCFA/UCFA-R ø mm						
20	6500	(3000)	2000	(1000)	4000	(1600)
25	7800	(3200)	2500	(1400)	4800	(1800)
30	11000	(4000)	2900	(1500)	5700	(2000)

Series UCT/UCT-R ø mm						
20	7800	(3200)	2500	(1400)	4800	(1800)
25	6500	(3000)	2000	(1000)	4000	(1600)
30	12000	(5500)	3500	(1800)	6000	(2400)
35	10000	(3600)	2900	(1500)	5500	(2000)

Series UCFC/UCFC-R ø mm				
20	12000	(-)	10000	(-)
25	12500	(-)	11000	(-)
30	12800	(-)	11500	(-)

Series UCHE/UCHE-R ø mm						
20	10000	(3600)	2500	(1400)	4800	(1800)
25	8500	(3200)	2000	(1000)	4000	(1600)
30	14000	(6500)	3500	(1800)	6000	(2400)
35	12000	(5500)	2900	(1500)	5500	(2000)

Series UCFA/UCFA-R ø mm						
20	8000	(-)	2000	(-)	2500	(-)
25	8500	(-)	3000	(-)	3000	(-)
30	9000	(-)	3500	(-)	3500	(-)



MATERIALS AND CALCULATIONS - General index **7 3 5 1 0 a** -

◀ back

7 3 5 4 2 a Bearing selection

7 3 5 2 2 a Pressure of accumulation products

7 3 5 2 8 a 2500RR calculations

7 3 5 1 5 a Product handling

7 3 5 2 4 a 90° product transfer with belts

7 3 5 3 3 a 2253RTC calculations

7 3 5 1 9 a Product handling maximum acceleration

7 3 5 2 6 a Thermal expansion

7 3 5 7 8 a Coefficient of friction of standard materials



Chains & sprockets	Wear strips	Side guide brackets & accessories	Levelers	Engineering manual
Modular belts & sprockets	Chain & belt return systems	Frame & structure supports	Bearing supports	
Curves & tracks	Side guide solutions	Miscellaneous products	Equipment	



continue ►

Index chains.
Go to product page:

1 1 0 1 0 a

C45



CARBON STEEL: S AND SR

C45 steel material allows a higher yield load capability than stainless steel but is not corrosion resistant, thus only suitable for dry environments. Oil lubrication may be necessary to reduce rust and drag. The through hardened plate material provides a uniform hardness and a high abrasion resistance.

FEATURES:

- Surface hardness: 44 HRC

BENEFITS:

- High mechanical strength
- High abrasion resistance

STANDARD



STANDARD STAINLESS STEEL: SS AND SSL

AISI 430 Stainless steel material with good mechanical characteristics and corrosion resistance. An economical option for many conveying applications.

Lower load and lower wear resistance capability than our higher grade stainless steel materials.

FEATURES:

- Standard stainless steel

BENEFITS:

- Food grade
- Economical solution

EXTRA PLUS



EXTRA PLUS STAINLESS STEEL: SSE, SSSR, SSEL AND SPSL

High performance stainless steel, specially developed for high speed and heavy-duty application. Offers excellent corrosion resistance and surface hardness.

FEATURES:

- Surface hardness of HRC 26-30
- Extremely flat and smooth surface finish
- High corrosion and wear resistance
- Highest ultimate yield loading capability

BENEFITS:

- Food grade
- Typically used in glide liners and pressureless combiners and very long conveyors
- For improved product stability

AUSTENITIC



AUSTENITIC STAINLESS STEEL: SSA

AISI 304 Austenitic stainless steel which offers high corrosion and acid resistance properties.

FEATURES:

- Stainless steel with 18% chrome and 8% nickel

BENEFITS:

- Food grade
- High corrosion and acid resistance material

HIGH STRENGTH	FOOD GRADE	MEDIUM HIGH SPEED	VERY HIGH SPEED	CORROSION RESISTANCE	CHEMICAL RESISTANCE



continue ►



Chains & sprockets	Wear strips	Side guide brackets & accessories	Levelers	Engineering manual
Modular belts & sprockets	Chain & belt return systems	Frame & structure supports	Bearing supports	
Curves & tracks	Side guide solutions	Miscellaneous products	Equipment	

7 3 5 6 1 a | PIN MATERIALS FOR STEEL AND PLASTIC CHAINS

MATERIALS



◀ back continue ▶

SPM

STANDARD PIN MATERIAL

Special stainless steel with higher tensile strength and improved surface hardness. These pins are offered as standard in most stainless steel and plastic chains.



FEATURES:

- High wear, corrosion and acid resistance

BENEFITS:

- Longer wear life

HB

SPECIAL PIN MATERIAL

Vacuum hardened stainless steel with exceptionally high wear resistance characteristics, good corrosion and chemical resistance, for high speed and or abrasive applications with steel chain.



Pin wear is the main contributing factor in chain elongation.

Due to their extraordinary hardness, HB pins offer a much better resistance against mechanical/abrasive wear and thus extended service life of chain.

HB (Harten Bolzen) pins are recommended for the following operating conditions and applications:

- Abrasive environment (e.g. crate and bottle conveyors)
- Short conveyors running at high speed (e.g. filler area, inspector sections, pressure less combiners)
- High load applications (e.g. accumulation area, full crate conveyors, full bottle accumulation tables, keg lines)

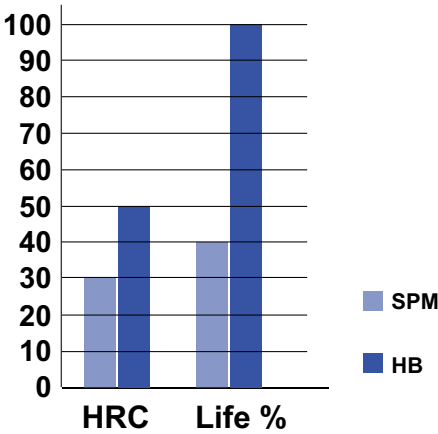
FEATURES:

- Hardness > HRC 48

BENEFITS:

- Ultimate abrasion resistance
- Outstanding wear life
- Wear resistance twice of standard pin

SPECIAL PIN MATERIAL HB vs STANDARD PIN MATERIAL SPM



HIGH STRENGTH	VERY HIGH SPEED	CORROSION RESISTANCE	CHEMICAL RESISTANCE



MATERIALS AND CALCULATIONS - General index 7 3 5 1 0 a -

◀ back continue ▶

7 3 5 7 3 a Nolu®-S parts

7 3 5 7 8 a Coefficient of friction of standard materials

7 3 5 8 6 a Chemical resistance of standard materials

7 3 5 7 6 a Storage of plastic chains and belts & RoHs

7 3 5 8 0 a Coefficient of friction - Measurement procedure

7 3 5 8 8 a Application temperatures

Chains & sprockets	Wear strips	Side guide brackets & accessories	Levelers	Engineering manual
Modular belts & sprockets	Chain & belt return systems	Frame & structure supports	Bearing supports	
Curves & tracks	Side guide solutions	Miscellaneous products	Equipment	

7 3 5 6 2 a | PIN MATERIALS FOR STEEL AND PLASTIC CHAINS

MATERIALS



◀ back continue ▶

PPM



PLASTIC PIN MATERIAL

Special reinforced acetal resin. For plastic chains only.

FEATURES:

- Optimum strength

BENEFITS:

- Ultimate abrasion resistance
- Outstanding wear life
- Suitable for metal detection applications

FPM



FERRITIC STEEL PIN MATERIAL FOR MAGNETIC CHAINS

Ferritic Stainless-Steel pin is used for magnetic side-flexing chains. This material offers a great retention force in combination with magnetic curve.

FEATURES:

- High wear resistance

BENEFITS:

- Optimum retention force
- Longer wear life

SUITABLE FOR METAL DETECTION APPLICATION	MAGNETIC



MATERIALS AND CALCULATIONS - General index 7 3 5 1 0 a -

◀ back continue ▶

7 3 5 7 3 a Nolu®-S parts

7 3 5 7 8 a Coefficient of friction of standard materials

7 3 5 8 6 a Chemical resistance of standard materials

7 3 5 7 6 a Storage of plastic chains and belts & RoHS

7 3 5 8 0 a Coefficient of friction - Measurement procedure

7 3 5 8 8 a Application temperatures



Chains & sprockets	Wear strips	Side guide brackets & accessories	Levelers	Engineering manual
Modular belts & sprockets	Chain & belt return systems	Frame & structure supports	Bearing supports	
Curves & tracks	Side guide solutions	Miscellaneous products	Equipment	

7 3 5 6 3 a

PLASTIC CHAIN AND BELT MATERIALS

MATERIALS



◀ back continue ▶

LF

LFG

LFB

LFW

LOW FRICTION ACETAL RESIN

This material is commonly used in the market and offers an improved coefficient of friction. It is also suitable for use in high speed applications.

Plastic Chain Color: Light Brown (LF), Dark Grey (LFG) or White (LFW)

Plastic Belt Color: Grey (LFG); Blue (LFB); white (LFW)

FEATURES:

- Optimum strength and wear life

BENEFITS:

- Food grade



Index chains.

Go to:

1 1 0 1 0 a

Index plastic belts.

Go to:

3 0 0 1 0 a

NG®evo

NG®evo conveyor components made from engineered plastic resin

Extra performance PBT with lowest coefficient of friction in our range, resulting in good strength and optimum wear resistance, reduced plate wear and reduced pitch elongation.

Available exclusively from Regal® System Plast® product.

Color: Grey Blue

FEATURES:

- Optimum strength and wear life
- Lowest coefficient of friction
- Optimum abrasive resistance
- Higher operating temperature in dry conditions

BENEFITS:

- Food grade
- High speed application
- Dry running application



HIGH STRENGTH	FOOD GRADE	MEDIUM HIGH SPEED	VERY HIGH SPEED	VERY LOW COEFFICIENT OF FRICTION



◀ back continue ▶

MATERIALS AND CALCULATIONS - General index 7 3 5 1 0 a -

7 3 5 7 3 a Nolu®-S parts

7 3 5 7 6 a Storage of plastic chains and belts & RoHS

7 3 5 7 8 a Coefficient of friction of standard materials

7 3 5 8 0 a Coefficient of friction - Measurement procedure

7 3 5 8 6 a Chemical resistance of standard materials

7 3 5 8 8 a Application temperatures

Chains & sprockets	Wear strips	Side guide brackets & accessories	Levelers	Engineering manual
Modular belts & sprockets	Chain & belt return systems	Frame & structure supports	Bearing supports	
Curves & tracks	Side guide solutions	Miscellaneous products	Equipment	

7 3 5 6 5 a | SPECIAL PLASTIC CHAIN AND BELT MATERIALS

MATERIALS

On request and for adequate quantities belts may be produced in other materials such as:



◀ back continue ▶

AS



ANTI-STATIC ACETAL RESIN

Anti-static acetal material with improved surface conductivity for greater protection against static electrical discharges.

Color: Black (AS)

FEATURES:

- Antistatic

BENEFITS:

- Dissipates nuisance static build-up

Index belts.
Go to:

3 0 0 1 0 a

HT



HIGH TEMPERATURE RESISTANT

Polyamide material based for high temperature applications up to 140°C.

Color: Natural white

BENEFITS:

- High temperature resistance
- Food grade

XT



EXTRA TEMPERATURE

This material with fiber glass-reinforced offers an excellent heat and chemical resistance for belt/chain and a good load capacity in respect to other materials. XT is suitable for extra high temperature applications up to 240° C.

Color: Beige

BENEFITS:

- Very high temperature up to 240°C

PP

PPW



CHEMICAL RESISTANCE

For belts: polypropylene material for greater chemical and temperature resistance. Polypropylene has lower mechanical strength than acetal. For belts (PP) the pins and clips are also made of Polypropylene.

Color: Beige (PP), White (PPW).

BENEFITS:

- Food grade
- Higher temperature resistance
- Optimum chemical resistance

PPG

PPLG



HIGH STABILIZED HOMOPOLYMER

For belts: Polypropylene material for a greater chemical and temperature resistance. This Polypropylene is a high stabilized homopolymer, combining high impact strength and stiffness. It has been developed especially for high detergent resistance and heat stability. Apart from pasteurizers, this material is also used in industrial washing machines, heat exchangers and dishwashers.

Color: Dark Grey (PPG), Light Grey (PPLG).

BENEFITS:

- Food grade
- Higher temperature resistance
- Optimum chemical resistance

CR



For chains: reinforced polypropylene material for greater acid and chemical resistance. Polypropylene has lower mechanical strength than acetal. **Reinforced PP is not food grade.**

Color: White (CR, for chains only)

Special colours

On request and for adequate quantities, chains and belts may be produced in other colours.

FOOD GRADE	ANTISTATIC	HIGH TEMPERATURE RESISTANCE	VERY HIGH TEMPERATURE RESISTANCE	CHEMICAL RESISTANCE



MATERIALS AND CALCULATIONS - General index 7 3 5 1 0 a -

◀ back continue ▶

7 3 5 7 3 a Nolu®-S parts

7 3 5 7 8 a Coefficient of friction of standard materials

7 3 5 8 6 a Chemical resistance of standard materials

7 3 5 7 6 a Storage of plastic chains and belts & RoHS

7 3 5 8 0 a Coefficient of friction - Measurement procedure

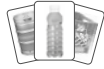
7 3 5 8 8 a Application temperatures



Chains & sprockets	Wear strips	Side guide brackets & accessories	Levelers	Engineering manual
Modular belts & sprockets	Chain & belt return systems	Frame & structure supports	Bearing supports	
Curves & tracks	Side guide solutions	Miscellaneous products	Equipment	

7 3 5 6 6 a | SPECIAL PLASTIC CHAIN AND BELT MATERIALS

MATERIALS



PP-FR-EC

FLAME RETARDANT, ELECTRICALLY CONDUCTIVE POLYPROPYLENE



Flammability according to UL94 is classified as V0. Due to the very low surface resistivity, this material can be considered electrically conductive.

Colour: Black.

◀ back continue ▶

Special colours

On request and for adequate quantities, chains and belts may be produced in other colours.

FLAME RETARDANT	ELECTRICALLY CONDUCTIVE



MATERIALS AND CALCULATIONS - General index 7 3 5 1 0 a -

◀ back continue ▶

7 3 5 7 3 a Nolu®-S parts

7 3 5 7 8 a Coefficient of friction of standard materials

7 3 5 8 6 a Chemical resistance of standard materials

7 3 5 7 6 a Storage of plastic chains and belts & RoHS

7 3 5 8 0 a Coefficient of friction - Measurement procedure

7 3 5 8 8 a Application temperatures

Chains & sprockets	Wear strips	Side guide brackets & accessories	Levelers	Engineering manual
Modular belts & sprockets	Chain & belt return systems	Frame & structure supports	Bearing supports	
Curves & tracks	Side guide solutions	Miscellaneous products	Equipment	



7 3 5 6 8 a

PIN MATERIALS FOR BELTS

MATERIALS

◀ back continue ▶

Index belts.

Go to:

3 0 0 1 0 a

PBT

PBT

Most commonly used pin material in System Plast® belts. This material offers a high abrasion resistance as well as a low noise operation.

POM

POM

Polyacetal pins are used in System Plast® belts. This pin material gives optimum strength.

PP

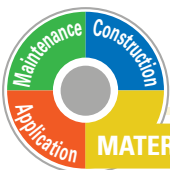
PP

Polypropylene pins are used in all belts made of PP material. The pin material is adapted to the high temperature and high chemical resistance of the belt material.

SS

SS

Ferritic stainless steel pin is used for side-flexing belt 2120M. This material offers a great retention force in combination with magnetic curve.



MATERIALS AND CALCULATIONS - General index **7 3 5 1 0 a** -

◀ back continue ▶

7 3 5 7 3 a Nolu®-S parts

7 3 5 7 8 a Coefficient of friction of standard materials

7 3 5 8 6 a Chemical resistance of standard materials

7 3 5 7 6 a Storage of plastic chains and belts & RoHS

7 3 5 8 0 a Coefficient of friction - Measurement procedure

7 3 5 8 8 a Application temperatures



Chains & sprockets	Wear strips	Side guide brackets & accessories	Levelers	Engineering manual
Modular belts & sprockets	Chain & belt return systems	Frame & structure supports	Bearing supports	
Curves & tracks	Side guide solutions	Miscellaneous products	Equipment	

7 3 5 7 0 a

RUBBER MATERIALS

MATERIALS



◀ back

TPR

TPR (SEBS)

TPR is used for VG chains and belts and for plastic gripper chains. TPR is a SEBS type rubber, which assures an optimum bonding on the plastic base material.
Mechanical properties data available on MDS.

NBR

NBR

NBR rubber is used for our gripper chains serie 1874.
It offers a soft grip and a good resistance against oils.

EPDM

EPDM

EPDM rubber is used for our gripper chains.
It offers good weather and chemical resistance, although contact with oils, gasoline and concentrated acids must be avoided.

EPDM-PP

EPDM-PP

EPDM-PP rubber is used for our gripper chains.
It offers improved chemical resistance and can be used at higher temperatures.
Resistance against steam is good.



MATERIALS AND CALCULATIONS - General index 7 3 5 1 0 a -

◀ back

7 3 5 7 3 a Nolu®-S parts

7 3 5 7 8 a Coefficient of friction of standard materials

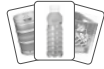
7 3 5 8 6 a Chemical resistance of standard materials

7 3 5 7 6 a Storage of plastic chains and belts & RoHS

7 3 5 8 0 a Coefficient of friction - Measurement procedure

7 3 5 8 8 a Application temperatures

Chains & sprockets	Wear strips	Side guide brackets & accessories	Levelers	Engineering manual
Modular belts & sprockets	Chain & belt return systems	Frame & structure supports	Bearing supports	
Curves & tracks	Side guide solutions	Miscellaneous products	Equipment	



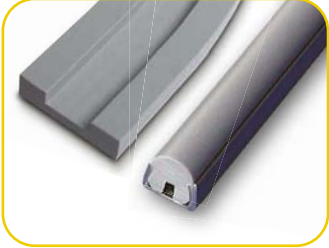
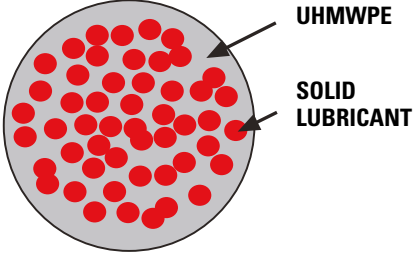
continue ►

7 3 5 7 3 a

**NOLU®-S
MATERIALS**

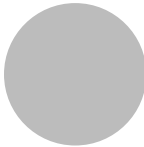
WHAT ARE NOLU PLASTICS?

Nolu® plastic parts are made with Regal's exclusive compounds of UHMWPE and solid lubricants/unique ingredients. They provide reduced coefficients of friction while maintaining the characteristics of UHMWPE. Our featured component brands are Nolu-S, Nolu-SR and Nolu-SX.



NOLU®-S

Nolu-S parts are made with a blend of UHMWPE and other dry lubricants that maintain good wear characteristics while significantly reducing coefficient of friction. Its unique self-lubricating properties make it ideal for applications requiring reduced friction and noise reduction.



FEATURES:

- RAM extruded or machined
- Very low coefficient of friction material flow
- High-impact strength
- Chemical resistant with minimal moisture absorption
- The Nolu®-S parts ingredients comply with EU and FDA food regulations
- Noise suppressant
- Easy to machine - most general power tools are sufficient

BENEFITS:

- Extends the life of mating surfaces
- Reduce surface marring and damage
- Reduces energy consumption
- Minimizes product pulsation on conveyors
- Low noise operation



MATERIALS AND CALCULATIONS - General index **7 3 5 1 0 a** -

continue ►

7 3 5 6 0 a Steel chain materials

7 3 5 7 8 a Coefficient of friction of standard materials

7 3 5 8 6 a Chemical resistance of standard materials

7 3 5 7 6 a Storage of plastic chains and belts & RoHs

7 3 5 8 0 a Coefficient of friction - Measurement procedure

7 3 5 8 8 a Application temperatures

Chains & sprockets	Wear strips	Side guide brackets & accessories	Levelers	Engineering manual
Modular belts & sprockets	Chain & belt return systems	Frame & structure supports	Bearing supports	
Curves & tracks	Side guide solutions	Miscellaneous products	Equipment	

7 3 5 7 4 a

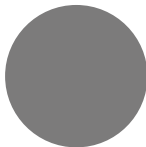
NOLU®-S PARTS MATERIALS



◀ back

NOLU®-SR PARTS

Nolu-SR parts have the same unique self-lubricating properties as Nolu®-S parts, however, they are made with additional proprietary ingredients. These unique ingredients increase the hardness of the material, providing superior wear resistance as compared to standard UHMWPE. Benefits of Nolu-SR parts include high wear resistance, extended wear life, minimization of product pulsation and low noise.



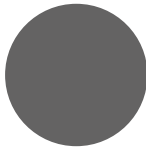
FEATURES:

- RAM extruded or machined
- Superior wear resistance - greater than standard virgin or repro material
- Low coefficient of friction - promotes material flow
- High-impact strength
- The Nolu-SR parts are made with ingredients that comply with EU and FDA regulations
- Chemical resistant with minimal moisture absorption
- Easy to machine - most general power tools are sufficient

BENEFITS:

- Even greater wear resistance
- Extends the life of mating surfaces
- Reduce surface marring and damage
- Reduces conveyor chain loads
- Reduces energy consumption
- Reduces product pulsation on conveyors
- Low noise operation
- Suitable for running dry at higher speed

NOLU®-SX PARTS



Nolu-SX parts has the same unique self-lubricating properties as Nolu-SR parts; however, Nolu-SX parts has a material blend that reduces the thermal expansion characteristics of the material. The thermal expansion is reduced up to 40% compared to standard UHMWPE products, making it the ideal material for neck guides.

Nolu plastics should be stored at room temperature between 50°F (10°C) and 104°F (40°C) to prevent premature aging of the material. They should also be stored in a manner to prevent distortion. Regular cleaning is also recommended with warm water and soap agents with a pH value of 4.5 to 9.0. For more technical information regarding Nolu parts, please contact our Application Engineering Group.



MATERIALS AND CALCULATIONS - General index 7 3 5 1 0 a -

◀ back

7 3 5 6 0 a Steel chain materials

7 3 5 7 8 a Coefficient of friction of standard materials

7 3 5 8 6 a Chemical resistance of standard materials

7 3 5 7 6 a Storage of plastic chains and belts & RoHs

7 3 5 8 0 a Coefficient of friction - Measurement procedure

7 3 5 8 8 a Application temperatures



Chains & sprockets	Wear strips	Side guide brackets & accessories	Levelers	Engineering manual
Modular belts & sprockets	Chain & belt return systems	Frame & structure supports	Bearing supports	
Curves & tracks	Side guide solutions	Miscellaneous products	Equipment	

7 3 5 7 5 a CURVE, WEARSTRIPS, SIDE GUIDE, SPROCKETS AND RETURN ROLLER

MATERIALS



CURVES, WEARSTRIPS AND SIDE GUIDE MATERIALS

UHMWPE GREEN

ULTRA-HIGH MOLECULAR WEIGHT POLYETHYLENE (UHMWPE)

This Polyethylene polymer with extremely high molecular weight has several unique properties such as high abrasion resistance, impact strength and low coefficient of friction. The UHMWPE are used for our side guide profiles, curves and wearstrips.

UHMWPE BLACK

UHMWPE WHITE

UHMWPE WATER BLUE

UHMWPE-AS BLACK

ANTISTATIC ULTRA-HIGH MOLECULAR WEIGHT POLYETHYLENE (UHMWPE-AS)

This PE polymer with extremely high molecular weight has several unique properties such as good wear resistance, good impact strength, good sliding and antistatic properties. These properties make the material suitable for curves and straight tracks.

Surface Resistivity: $10^3 - 10^4 \Omega$; Volume Resistivity: $10^3 - 10^4 \Omega \cdot \text{cm}$.

NOLU®-CP

NOLU®-CP PARTS

Nolu-CP parts are made with Regal's exclusive compounds of UHMWPE and micro glass beads. Curves and neck guide made with this material are the most suitable for abrasive working conditions.

POM - GREEN

POM-ACETAL

This polyacetal used for roller guide provide a high rigidity, hardness and toughness and good chemical resistance to alkalis.

POM - WHITE

SPROCKETS, IDLER MATERIALS

PA BLACK

GLASS FIBER REINFORCED POLYAMIDE (PA-FV)

The reinforced polyamide with glass fiber is used for molded sprockets and idlers to offer a high strength and wear resistance.

PA WHITE

POLYAMIDE (PA)

The cast polyamide 6 is used for machined sprockets and idlers to offer a high strength and wear resistance.

RETURN ROLLERS MATERIALS

PE-HD BLACK

HIGH-DENSITY POLYETHYLENE (PE-HD)

The high-density polyethylene is used for return roller and it has a good abrasion resistance, impact strength and a low coefficient of friction.

PE-HD GREEN

PA BLACK

POLYAMIDE (PA)

The impact polyamide resin is used for return roller to offer a high strength and wear resistance.

PA GREEN



MATERIALS AND CALCULATIONS - General index 7 3 5 1 0 a -

7 3 5 6 0 a Steel chain materials

7 3 5 7 8 a Coefficient of friction of standard materials

7 3 5 8 6 a Chemical resistance of standard materials

7 3 5 7 6 a Storage of plastic chains and belts & RoHs

7 3 5 8 0 a Coefficient of friction - Measurement procedure

7 3 5 8 8 a Application temperatures



Chains & sprockets	Wear strips	Side guide brackets & accessories	Levelers	Engineering manual
Modular belts & sprockets	Chain & belt return systems	Frame & structure supports	Bearing supports	
Curves & tracks	Side guide solutions	Miscellaneous products	Equipment	



continue ►

7 3 5 7 6 a | STORAGE OF PLASTIC CHAINS AND BELTS AND RoHS MATERIALS

STORAGE OF PLASTIC CHAINS AND BELTS

Plastic chains, belts and components offer best stability and resistance against environmental effects at appropriate storage:

- In the original packaging, and not exposed to the environment
- Without environmental radiation / UV light / direct sunlight
- Dry
- In a non-aggressive environment
- A consistent temperature between 10°C (50° F) and 40°C (104° F)

FIRST IN, FIRST OUT

- We have applied that procedure in our logistic department.
- We recommend this procedure to any external warehouse.

Do not stack pallets or other heavy goods on top of chain packs. Chains inside the packs might get damaged.
Do not stack chain packs higher than the original stacking height - as dispatched from our shipping department.

PRODUCT SHELF LIFE

PRODUCT CLASS	TIME FROM MANUFACTURING DATA	REFURBISH (INSPECT, CLEAN, RELUBRICATE AND REPACKAGE)	DON'T USE
All solid steel and cast iron	5 years	5 years	10 years
Plastic: rubber and EPDM	3 years	Not Applicable	3 years
Plastic: UHMWPE	3 years	Not Applicable	3 years
Plastic belts and Chains	3 years	Not Applicable	3 years
Plastic idler and sprockets	3 years	Not Applicable	3 years
Bearings	3 years	3 years	6 years

RoHS

System Plast® CHAINS, BELTS AND COMPONENTS materials do meet the base requirements of this european directive. Therefore, the RoHS (Restriction of Hazardous Substances) directive of 2002/95/CE and subsequent modifications do not apply to our products.

ATEX

FOR ATEX APPLICATION, CONTACT OUR TECHNICAL SUPPORT.

REACH

Regal materials meet the requirements of this European regulation.



MATERIALS AND CALCULATIONS - General index 7 3 5 1 0 a -

continue ►

7 3 5 6 0 a Steel chain materials

7 3 5 7 8 a Coefficient of friction of standard materials

7 3 5 8 6 a Chemical resistance of standard materials

7 3 5 7 3 a Nolu®-S parts

7 3 5 8 0 a Coefficient of friction - Measurement procedure

7 3 5 8 8 a Application temperatures



Chains & sprockets	Wear strips	Side guide brackets & accessories	Levelers	Engineering manual
Modular belts & sprockets	Chain & belt return systems	Frame & structure supports	Bearing supports	
Curves & tracks	Side guide solutions	Miscellaneous products	Equipment	

7 3 5 7 7 a

DISPOSAL OF PRODUCTS



◀ back

DISPOSAL OF PLASTIC CHAINS AND BELTS

The non-electric nor electronics waste (plastic, rubber and metals parts) are not considered special waste and must be disposed of in strict compliance with the local regulations regarding non-special waste.

DISPOSAL OF MODSORT® MODULES

The wood packaging material of Modsort® modules is fully recyclable and FITOK certified in accordance with the ISPM-15 regulation.



The electrical and electronic parts of Modsort® modules listed below are marked with the symbol



and classified as Waste of electric and electronic equipment (WEEE) in accordance with the European Directive 2012/19 / EU on WEEE.

- Control Card
- Divert Belt and Roller Top Belt's Motorized Drive Rollers (MDRs)
- Photo eyes
- Power Supply Unit

These WEEE must be disposed correctly at a suitable collection point according to the procedures in use in the country of disposal.



MATERIALS AND CALCULATIONS - General index 7 3 5 1 0 a -

◀ back

7 3 5 6 0 a Steel chain materials

7 3 5 7 8 a Coefficient of friction of standard materials

7 3 5 8 6 a Chemical resistance of standard materials

7 3 5 7 3 a Nolu®-S parts

7 3 5 8 0 a Coefficient of friction - Measurement procedure

7 3 5 8 8 a Application temperatures



Chains & sprockets	Wear strips	Side guide brackets & accessories	Levelers	Engineering manual
Modular belts & sprockets	Chain & belt return systems	Frame & structure supports	Bearing supports	
Curves & tracks	Side guide solutions	Miscellaneous products	Equipment	



7 3 5 7 8 a COEFFICIENTS OF FRICTION OF STANDARD MATERIALS MATERIALS

Below listed coefficients can be used as a guideline. Depending on environmental and application requirements, (temperatures, lubricant, material combinations, dirt/debris, product and chain/belt surfaces, etc.) the coefficients are subject to some variation. Values are generally conservative.

COEFFICIENT OF FRICTION BETWEEN CHAIN/BELT AND WEARSTRIP:

CHAIN/BELT MATERIAL	LUBRICATION	WEAR STRIP MATERIAL					
		STAINLESS STEEL	UHMWPE PA	NOLU®-S PARTS	WOOD	RETURN ROLLER	EXTRA WITH METAL STRIP
Stainless steel	Dry	N/A	0.35	0.32	0.35	0.10	not applicable
	Dry lube	0.39	0.26	0.23	N/A	0.08	
	Water&Soap	0.20	0.18	0.15	N/A	0.05	
Carbon steel	Dry lube or Oil lube	0.39	0.26	0.23	N/A	0.08	not applicable
LF - Acetal	Dry	0.24	0.20	0.18	0.23	0.10	0.19
	Dry lube	0.18	0.17	0.13	N/A	0.07	0.14
	Water&Soap	0.15	0.10	0.10	N/A	0.05	0.10
NG®evo conveyor components made from engineered plastic resin	Dry	0.20	0.16	0.13	0.17	0.10	0.14
	Dry lube	0.16	0.10	0.08	N/A	0.07	0.09
	Water&Soap	0.14	0.09	0.08	N/A	0.05	0.09
PP / CR	Dry	0.29	0.24	0.21	0.22	0.10	0.23
	Dry lube	0.22	0.18	0.16	N/A	0.07	0.17

Valid for ambient temperature 21°C (70° F)

COEFFICIENT OF FRICTION BETWEEN CHAIN/BELT AND PRODUCT:

CHAIN/BELT MATERIAL	LUBRICATION	PRODUCT MATERIAL					
		PAPER CARTON	METAL (STEEL)	ALUMINUM	PLASTICS INCL. PET	GLASS (RETURN)	NEW GLASS, CERAMICS
Stainless steel	Dry	0.40	0.50	0.35	0.30	0.47	0.35
	Dry lube	N/A	0.34	0.29	0.24	0.30	0.29
	Water&Soap	N/A	0.20	0.15	0.15	0.21	0.15
Carbon steel	Dry lube or Oil lube	N/A	0.34	0.29	0.24	0.30	0.29
Speed - Line	Dry	0.40	0.45	0.32	0.27	0.40	0.29
	Dry lube	N/A	0.29	0.26	0.22	0.25	0.23
	Water&Soap	N/A	0.15	0.14	0.13	0.18	0.13
LF - Acetal	Dry	0.28	0.25	0.25	0.21	0.24	0.20
	Dry lube	N/A	0.19	0.17	0.15	0.17	0.14
	Water&Soap	N/A	0.15	0.14	0.13	0.14	0.12
NG®evo conveyor components made from engineered plastic resin	Dry	0.20	0.18	0.15	0.13	0.14	0.12
	Dry lube	N/A	0.15	0.13	0.11	0.12	0.11
	Water&Soap	N/A	0.13	0.12	0.10	0.11	0.10
LBP	Dry	0.10	0.10	0.10	0.10	0.10	0.10
VG	Dry	0.60	0.73	0.50	0.50	0.50	0.50
PP / CR	Dry	0.40	0.30	0.32	0.28	0.29	0.26
	Dry lube	N/A	0.23	0.25	0.21	0.22	0.20

Valid for ambient temperature 21°C (70° F)

For iCOF® device. Go to product page:

5 7 0 8 0 a



MATERIALS AND CALCULATIONS - General index 7 3 5 1 0 a -

7 3 5 8 0 a Coefficient of friction - Measurement procedure

7 3 5 7 3 a Nolu®-S parts

7 3 5 8 6 a Chemical resistance of standard materials

7 3 5 6 0 a Steel chain materials

7 3 5 7 6 a Storage of plastic chains and belts & RoHs

7 3 5 8 8 a Application temperatures

Chains & sprockets	Wear strips	Side guide brackets & accessories	Levelers	Engineering manual
Modular belts & sprockets	Chain & belt return systems	Frame & structure supports	Bearing supports	
Curves & tracks	Side guide solutions	Miscellaneous products	Equipment	



7 3 5 8 0 a COEFFICIENT OF FRICTION - MEASUREMENT PROCEDURE

MATERIALS

In this section, we will describe the measurement method for coefficient of friction (COF or μ) between belt/chain and product on a running conveyor.

The COF is defined as the ratio between the force necessary to move one surface horizontally over another and the pressure between the two surfaces. It can be measured by dividing the force required to push or pull an object by its weight. The pull and the product weight can be determined by measurement using a spring or force gauge. Please follow the below instructions, ensuring both conveyor and sample product are clean and clear of all debris:

1- At first be sure to have:

- a. Mechanical or digital spring gauge with suitable sensitivity and accuracy
- b. A spirit level gauge (in case of inclined conveyor)
- c. A suitable sample of product weight (bottles/cans etc.)
- d. Available space on the running conveyor where the COF measurement is required

For iCOF® device.
Go to product page:

5 7 0 8 0 a

2- Measure the sample weight (W):

- a. Use sample product with suitable weight. It is recommended to collect one or more products to get 1 kg of product weight.
- b. Measure the product weight using a scale or spring gauge
- c. Record the value when the scale is stabilized

3- Measure the pull (F₀):

- a. Be sure that conveyor is running and the surface is level. Otherwise measure carefully the angle
- b. With the same sample as step 2.a), take measurements in the same location on the conveyor and at the same speed if possible
- c. Secure the gauge to a fixed point on the conveyor or hold the gauge by hand avoiding movements.
If possible, steady your hand by resting it on conveyor frame or guide rail
- d. Ensure that the gauge is parallel to the conveyor
- e. Put the sample product on the conveyor, attach to spring gauge, and measure the horizontal pull (F₀).
- f. Take the value when the measurement is stabilized
- g. Make three (03) measurements at the same conditions
- h. Make the average of the obtained three (03) values
- i. Repeat steps 2 and 3 for multiple different containers

4- COF calculation:

- a. Be sure that the average **W** and **F₀** values are in the same measurement unit (g or kg or lb);
- b. Use the formula $\mu = \frac{F_0}{W} = \frac{\text{measured pull}}{\text{measured weight}}$ to obtain the average value of COF; (4b)

Be aware that for some gauges it is required to compensate the reading with the plunger weight (P) (1) since it is used horizontally. Refer to page **7 3 5 8 1 a** for further details.

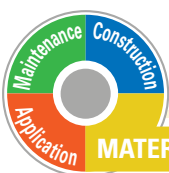
With the plunger weight compensation, the formula 4b) becomes:

$$\mu = \frac{(F_0 + P)}{W} = \frac{\text{measured pull} + \text{plunger weight}}{\text{measured weight}}$$

If the conveyor is inclined with respect to the running direction, the angle α is to be considered as following:

- Measure the angle α (usually from 2° to 5°);
- Use the formula $\mu = \frac{(F_0 + P)}{W \cos \alpha} - \tan \alpha$ (Running direction downwards) (1).
- Use the formula $\mu = \frac{(F_0 + P)}{W \cos \alpha} + \tan \alpha$ (Running direction upwards) (1).

Notes: (1) P=0 for spring gauges with adjustable preload. Refer to good measurement practice for further details.



MATERIALS AND CALCULATIONS - General index **7 3 5 1 0 a** -

7 3 5 7 8 a Coefficient of friction of standard materials

7 3 5 7 3 a Nolu®-S parts

7 3 5 8 6 a Chemical resistance of standard materials

7 3 5 6 0 a Steel chain materials

7 3 5 7 6 a Storage of plastic chains and belts & RoHS

7 3 5 8 8 a Application temperatures



Chains & sprockets	Wear strips	Side guide brackets & accessories	Levelers	Engineering manual
Modular belts & sprockets	Chain & belt return systems	Frame & structure supports	Bearing supports	
Curves & tracks	Side guide solutions	Miscellaneous products	Equipment	



continue ►

7 3 5 8 1 a COEFFICIENT OF FRICTION - GOOD MEASUREMENT PRACTICE

MATERIALS

Here we describe good practices when measuring the COF within belt/chain in a running conveyor.

SELECTION OF THE INSTRUMENT

The higher the sensibility, the more accurate the measurement. 10 g divisions and +/- 10% (or ounces) is a good compromise for a rough estimation.

A. Gauge with mechanical spring (0-10 kg)

- i. Needs certain weight
- ii. Needs to compensate spring preload and "plunger"
- iii. Is more accurate / repeatable

There are spring gauges on the market with adjustable preload, in order to compensate the plunger. For those types of gauges, just adjust the reading scale to 0 when reading in horizontal position. Remember to reset the scale to 0 when reading values in vertical position (i.e. when weighting a bottle).

B. Digital gauge (0-45 kg)

- i. Needs lower weight
- ii. Don't always need to compensate for the "plunger"
- iii. Less accurate / repeatable

REQUIRED ACTIVITIES AND CHECKS PRIOR TO MEASUREMENT

A. Gauge with mechanical spring: Plunger preload determination

- i. Prior to the measurement ensure that also the spring dynamometer reads zero when in vertical working position. Tare if necessary.
- ii. Weight the dynamometer on a balance or using a second scale. Record the value. Weight reading of the total scale $x = A$ plunger preload + B scale body [g]
- iii. Hang the dynamometer upside down. If the instrument's own weight is not enough to pull the plunger by at least 10% of his own full scale, hang some additional weight at the bottom. The additional weight should be deducted from the reading.
- iv. Weight reading of the scale upside-down $y = B$ scale body - A plunger [g]. Read and store the value on the scale.

v. Plunger weight (spring preload) will be $A = \frac{x - y}{2}$ RECORD THIS VALUE!



Example:

Gauge weights 140 g, upside-down reading is 36 g, the spring-preload is $(140-36)/2 = 52$ g. For the horizontal reading, you will have to add this value to the displayed forc.



MATERIALS AND CALCULATIONS - General index 7 3 5 1 0 a -

continue ►

7 3 5 7 8 a Coefficient of friction of standard materials

7 3 5 7 3 a Nolu®-S parts

7 3 5 8 6 a Chemical resistance of standard materials

7 3 5 6 0 a Steel chain materials

7 3 5 7 6 a Storage of plastic chains and belts & RoHs

7 3 5 8 8 a Application temperatures



Chains & sprockets	Wear strips	Side guide brackets & accessories	Levelers	Engineering manual
Modular belts & sprockets	Chain & belt return systems	Frame & structure supports	Bearing supports	
Curves & tracks	Side guide solutions	Miscellaneous products	Equipment	

7 3 5 8 2 a COEFFICIENT OF FRICTION - GOOD MEASUREMENT PRACTICE

MATERIALS



◀ back

B. Digital gauge: Plunger preload determination

If your digital tool offers the possibility to switch it to horizontal, you don't need to calculate the plunger preload. In fact, in horizontal configuration, the cell automatically pre-sets to zero.

Some digital tools, on the contrary, do not allow to be switched to horizontal (they need a certain weight, given by the plunger when lying vertically to activate the cell). Under such condition proceed in plunger preload determination as per previous point.

Periodically check your instrument and compare the measurements with a second one. This is required to check any possible deviation of measurements due to loss of tare.

Recommendations

- A higher is the sample product weight, a lower is the error in the estimated value
 - If possible, we recommend using multiple containers to increase product weight
- Measure the product weight close to the ground so as to prevent any dropped bottles from breaking
- Take a stabilized measurement. Instrument gauge has a response time, so we recommend respecting this time to read an accurate value
- The more measurements that are taken and averaged, the more reliable the result will be.
- A smooth, clean surface allows an accurate COF measurement without the influence of wear
- Using the same sample(s) in all measurements will lead to a uniform and repeatable value
- Securing the gauge to a fixed point on the conveyor will remove human error from holding the spring gauge
- Ensure you hold the gauge and the plunger parallel to the conveyor, so as to achieve an accurate measurement



MATERIALS AND CALCULATIONS - General index 7 3 5 1 0 a -

◀ back

7 3 5 7 8 a Coefficient of friction of standard materials

7 3 5 7 3 a Nolu®-S parts

7 3 5 8 6 a Chemical resistance of standard materials

7 3 5 6 0 a Steel chain materials

7 3 5 7 6 a Storage of plastic chains and belts & RoHs

7 3 5 8 8 a Application temperatures



Chains & sprockets	Wear strips	Side guide brackets & accessories	Levelers	Engineering manual
Modular belts & sprockets	Chain & belt return systems	Frame & structure supports	Bearing supports	
Curves & tracks	Side guide solutions	Miscellaneous products	Equipment	

7 3 5 8 6 a CHEMICAL RESISTANCE OF STANDARD MATERIALS MATERIALS

Data shown in the table was taken from laboratory tests performed on unstrained samples and are merely indicative.



continue ▶

Chemical resistance under normal working conditions can depend on various factors, such as stress and temperature, concentration of the chemical agent and contact time. Conveyor rinsing can also be a huge factor, as a corrosive chemical that is allowed to dry and concentrate will be more problematic than one that is allowed contact for a short time and thoroughly rinsed away.

VALID FOR AMBIENT TEMPERATURE (21°C / 70°F)

CHEMICAL AGENT	METALS								PLASTICS						RUBBERS											
	EXTRA		AISI 304		AISI 316		OT.NI		LF (POM)		NGE (PBT)		PP		PA		PE		EPDM		NBR		SEBS		VITON*	
	C%		C%		C%		C%		C%		C%		C%		C%		C%		C%		C%		C%		C%	
Acetic Acid	5	✓	20	✓	100	✓		○	5	✗	10	✓	40	✓	10	✗	10	✓	25	✓		✗	25	○	20	✗
Acetone		✓	25	✓		✓		✓		○		○		✓	100	✓		✓		✓		✗		○		✗
Acrylonitrile						✓							✓	100	✓		✓		✓		✗		○			✗
Aluminium chloride				○	10	○							○	10	✓		✓		✓		✓		✓		SA	✓
Aluminium sulphate					SA	✓							✓	10	✓	SA	✓		✓		✓		✓		SA	✓
Amyl alcohol				✓							✓		✓	10	✓		✓		✓				✓			✓
Ammonia	✓		100	✓		✓		✗		✓		○	30	✓	10	✓		✓		✓		○		○		○
Ammonium chloride				○		✓							10	✓	10	✓		✓		✓		✓		✓	SA	✓
Aniline		✓		✓		✓							✓	100	○	3	✓		✗		✗		✗			✓
Barium chloride				○	SA	✓							✓	10	✓		✓		✓		✓		✓			✓
Beer		✓		✓		✓		✓				✓		✓		✓		✓		✓		✓		✓		✓
Benzene	✓		70	○		✓				✓		✓					○		✗						✗	
Benzoic acid			100	✓	SA	✓					✓	SA	✓	SA	○		✓		✗		✓		✗		✓	
Benzol				✓		✓		✓		✓		○	100	✓		✓		✗		✗		✗			○	
Boric acid		○	SA	✓		✓				✗	10	✓	SA	✓	10	✓	SA	✓		✓		✓		✓	SA	✓
Brine	10	✗		○		✓						○		○			✓		✓				○			✓
Butter				✓		✓		✓		✓		✓		✓		✓		✓		✓		✓		○		✓
Butyl acetate				✓		✓				✓		○	100	✓		✓		○				○		○		✗
Butyl alcohol				✓						✓		✓	100	✓		✓		✓		○		✓		✓		✓
Butyl glycole				✓						✓		✓	100	✓		✓		✓				✓		✓		✓
Calcium chloride		✗		○		✓		✓		10	✓		50	✓	10	✓	SA	✓		✓		✓		✓	SA	✓
Carbon sulphide				✓		✓				✓		✓	✓	100	✓		○		✗		✗		✗			✓
Carbon tetrachloride			10	✓		✓		✓		✓		✓	✗		✓					✗		✗				✓
Chlorine water		✗		✗		○				✗		✗	✗				✓		3	○			3	○		
Chloroform		○	10	✓		✓		✓		✗		✗	○	100	✗		✗		✗		✗		✗			✓
Chromic acid			25	✓	50	○				✗		○		1	○	50	○	50	○		✗		50	✗	50	✓
Citric acid	10	✓		✓	SA	✓		✗		○	10	✓	10	✓	10	○	SA	✓		✓		✓		✓	SA	✓
Cyclohexane						✓						✓	✓	100	✓		✓		✗		✓		✗			✓
Cyclohexanol						✓						✓	✓	100	✓		✓		✗		✓		○			✓
Decalin						✓						○	○		✓				✗		○		✗			✗
Dioxane						✓				○		✓	○		✓		✓		○		✗		✗			✓
Distilled water		✓	10	✓		✓		✓		✓		✓	✓		✓		✓		✓				✓			✗
Ethyl acetate				○		✓				○		○	✓	100	✓		✓			✗						○
Ethyl alcohol				✓						✓		✓	96	✓	96	✓	96	✓		○		○				✓
Ethyl chloride				✓				○		✓			✓	✗	100	✓	○			○		○				✗
Ethyl ether						✓						✓	✓	100	✓		○									✓
Ferric chloride				○		✓				○	10	✓	✓	10	✓		✓		✓		✓		✓		SA	✓
Food fats		✓	100	✓		✓				✓		✓		✓		✓		○		✓		✓		○		✓
Food oils		✓		✓		✓				✓		✓	✓	✓		✓		✓		✓		✓		✓		✓

* Viton is believed to be the trademark and/or trade name of The Chemours Company FC, LLC and is not owned or controlled by Regal Beloit Corporation.

ABBREVIATION

- ✓ = good resistance
- = fairly good resistance depending on use conditions
- ✗ = insufficient resistance (not recommended)
- C = concentration
- SA = saturated
- blank spaces = no tests performed

All values are only applicable to temperatures below 21°C / 70°F.



MATERIALS AND CALCULATIONS - General index 7 3 5 1 0 a - continue ▶

7 3 5 6 0 a Steel chain materials	7 3 5 7 6 a Storage of plastic chains and belts & RoHs	7 3 5 8 0 a Coefficient of friction - Measurement procedure
7 3 5 7 3 a Nolu®-S parts	7 3 5 7 8 a Coefficient of friction of standard materials	7 3 5 8 8 a Application temperatures



Chains & sprockets	Wear strips	Side guide brackets & accessories	Levelers	Engineering manual
Modular belts & sprockets	Chain & belt return systems	Frame & structure supports	Bearing supports	
Curves & tracks	Side guide solutions	Miscellaneous products	Equipment	

7 3 5 8 6 b **CHEMICAL RESISTANCE OF STANDARD MATERIALS**
MATERIALS



Data shown in the table was taken from laboratory tests performed on unstrained samples and are merely indicative.

Chemical resistance under normal working conditions can depend on various factors, such as stress and temperature, concentration of the chemical agent and contact time. Conveyor rinsing can also be a huge factor, as a corrosive chemical that is allowed to dry and concentrate will be more problematic than one that is allowed contact for a short time and thoroughly rinsed away.

◀ back continue ▶

VALID FOR AMBIENT TEMPERATURE (21°C / 70°F)

CHEMICAL AGENT	METALS				PLASTICS						RUBBERS									
	EXTRA	AISI 304	AISI 316	OT.NI	LF (POM)	NGE (PBT)	PP	PA	PE	EPDM	NBR	SEBS	VITON*							
	C%	C%	C%	C%	C%	C%	C%	C%	C%	C%	C%	C%	C%							
Formaldehyde		✓	✓	✓	✓	✓	40	✓	30	✓	○	○	○	○	40	✗				
Formic acid	2	○	✗	100	✓	✓	10	✗	○	10	✗	85	✓	✓	✓	○				
Freon 12			✓	✓	✓	✓				✓	100	○		✓		✓				
Fresh water		✓	✓	✓		✓	✓	✓	✓	✓	✓	✓	✓	✓	✓	✓				
Fruit juice		✓	○	✓		✓	✓	✓	✓	✓	✓	✓	✓	✓	✓	✓				
Gasoline		✓	✓	✓	○	✓	○	○	○	✓	○	○	✗	○	✗	✓				
Glycerine		✓	✓	✓	✓	✓	✓	✓	✓	✓	✓	✓	✓	✓	✓	✓				
Hydrochloric acid		✗	✗	✗	○	35	✗	20	○	30	✓	✗	35	✓	15	✓				
Hydrofluoric acid			✗	✗				5	○	40	✓	✗	70	✓		48	✓			
Hydrogen peroxide	3	✓	✓	100	✓	30	✓	5	✓		✗	10	○	30	○	✗	30	✗	90	✓
Isopropyl alcohol				✓		✓	✓	✓	✓	✓	✓	✓	✓	✓	✓	✓	✓	✓	✓	✓
Lactic acid		○		✓	✗	✓	10	✓	20	✓	✓	✓	✓	○	✓	○	✓	○	✓	✓
Linseed oil			✓	✓		✓	✓	✓	✓	✓	✓	✓	✓	○	✓	✗	✓	✗	✓	✓
Magnesium chloride			○	✓			✓	✓	✓	✓	✓	✓	✓	✓	✓	✓	✓	✓	SA	✓
Methyl acetate			○	✓		○	○	✓	✓	✓	✓	✓	○	✗	✗	✗	✓	✗	✓	✗
Methyl alcohol		80	✓	✓	✓	✓	✓	✓	✓	✓	✓	✓	✓	○	✓	○	✓	○	✓	○
Methylene chloride		○	○	✓	✓	✗	✗	○	○	✓	✓	○	○	✗	✗	✗	✓	✗	○	✓
Milk		✓	✓	✓	✓	✓	✓	✓	✓	✓	✓	✓	○	✓	✓	✓	✓	✓	✓	✓
Mineral oil			✓	✓		✓	✓	✓	✓	✓	✓	✓	✓	✗	✓	✗	✓	✗	✓	✓
Nitric acid	25	○	65	✓			✗		✓	✓	✗	○			10	✗			70	✓
Nitrobenzene				✓				✓	✓	○	✓	✓	✗	10	✗	✗	○	○	○	✓
Oxalic acid			65	✓	✓			10	✓	✓	○	✓	○	○	○	○	○	○	○	✓
Paraffin				✓		✓	✓	✓	✓	✓	✓	✓	○	○	○	✗	✓	✗	✓	✓
Petroleum			✓	✓	✓	✓	✓	✓	✓	✓	✓	✗	✗	✓	✓	✓	✓	✗	✓	✓
Petroleum ether			✓	✓	✓	✓	○	✓	✓	✓	✓	✓	✗	✗	✗	✗	✓	✗	✓	✓
Phenol			✓	✓		○	✗	✓	✓	✗	✓	✓	○	✗	✗	○	✓	○	✓	✓
Phosphoric acid	25	○	✗	✓	✓	✗	✗	✗	✓	✓	✗	✓	✓	20	○	✓	✓	85	✓	✓
Potassium bichromate				SA	✓		○	✓	✓	○	SA	✓	✓	○	○	○	SA	✓	✓	✓
Potassium bromite				✓		✓	✓	✓	✓	✓	10	✓	✓	✓	✓	✓	✓	✓	✓	✓
Potassium hydroxide		✓	50	✓	✓		✓	✗	✓	✓	✓	✓	✓	○	✓	○	✓	○	✓	✓
Potassium permanganate				✓	✓	10	○	✓	✓	✓	✗	✓	10	✓	✓	✗	10	○	○	✓
Sea water		✗	✓	✓	✓		○	✓	✓	✓	✓	✓	✓	✓	✓	✓	✓	○	✓	✓
Silicone oil				✓			✓	✓	✓	✓	✓	✓	✓	✓	✓	✓	✓	✓	✓	✓
Silver nitrate			○					✓	✓	✓	✓	✓	✓	○	○	○	○	○	○	✓
Sodium carbonate		✓	100	SA	✓	10	✓	10	✓	✓	✓	✓	✓	✓	✓	✓	✓	✓	✓	✓
Sodium chloride		○	○	✓	✓		✓	10	✓	✓	✓	✓	✓	✓	✓	✓	✓	✓	SA	✓
Sodium hydroxide	40	✓		✓	60	✓	✓	10	✗		✓	✓	✓	✓	○	✓	○	✓	✓	✓
Sodium hypochlorite			✗	SA	○		✗	10	✓	✓	✓	✓	10	✓	✓	✗	10	○	5	✓
Sodium silicate			100	✓	✓					✓	✓	✓	✓	✓	✓	✓	✓	✓	✓	✓

* Viton is believed to be the trademark and/or trade name of The Chemours Company FC, LLC and is not owned or controlled by Regal Beloit Corporation.

ABBREVIATION

- ✓ = good resistance
- = fairly good resistance depending on use conditions
- ✗ = insufficient resistance (not recommended)
- C = concentration
- SA = saturated
- blank spaces = no tests performed

All values are only applicable to temperatures below 21°C / 70°F.



◀ back continue ▶

7 3 5 6 0 a Steel chain materials

7 3 5 7 6 a Storage of plastic chains and belts & RoHs

7 3 5 8 0 a Coefficient of friction - Measurement procedure

7 3 5 7 3 a Nolu®-S parts

7 3 5 7 8 a Coefficient of friction of standard materials

7 3 5 8 8 a Application temperatures



Chains & sprockets	Wear strips	Side guide brackets & accessories	Levelers	Engineering manual
Modular belts & sprockets	Chain & belt return systems	Frame & structure supports	Bearing supports	
Curves & tracks	Side guide solutions	Miscellaneous products	Equipment	

7 3 5 8 6 c **CHEMICAL RESISTANCE OF STANDARD MATERIALS**

MATERIALS

Data shown in the table was taken from laboratory tests performed on unstrained samples and are merely indicative.



Chemical resistance under normal working conditions can depend on various factors, such as stress and temperature, concentration of the chemical agent and contact time. Conveyor rinsing can also be a huge factor, as a corrosive chemical that is allowed to dry and concentrate will be more problematic than one that is allowed contact for a short time and thoroughly rinsed away.

◀ back

VALID FOR AMBIENT TEMPERATURE (21°C / 70°F)

CHEMICAL AGENT	METALS						PLASTICS						RUBBERS					
	EXTRA	AISI 304	AISI 316	OT.NI	LF (POM)	NGE (PBT)	PP	PA	PE	EPDM	NBR	SEBS	VITON*					
	C%	C%	C%	C%	C%	C%	C%	C%	C%	C%	C%	C%	C%					
Sodium sulphate		100	✓	✓					✓	SA	✓	○	✓	✓	✓	✓	✓	
Soft drinks			✓	✓		✓	✓	✓	✓	✓	✓	✓	✓	✓	✓	✓	✓	
Suds			✓	✓		✓	10	✓	✓	✓	✓	✓	✓	✓	✓	✓	✓	
Sulphuric acid	✗	✗	○	✓	✗	2	✓	✓	✗	80	✓	50	✓	✗	50	○	95	✓
Tartaric acid	✓	50	✓	✓	✗	○	50	✓	✓	✓	✓	○	✓	✓	✓	✓	✓	
Tetrahydrofuran				✓		○	✓	○	✓	○	✓	✗	✗	✗	✗	✗	✗	
Tetralin			✗	✓		✓	✓	✗	✓	✓	✓	✗	✗	✗	✗	✗	✓	
Tincture of iodine			○	✓	✗			✓	✗	✓	○	✗	○	✗	○	✓	✓	
Toluol	✓			✓			✓	✓	✓		✗	✗	✗	✗	✗	○	✓	
Transformer oil	✓			✓		✓	✓	○	✓	✓	✗	✓	✗	✗	✗	✓	✓	
Trichloroethylene			✗	100	✓	○	✗	○	○	○	✗	✗	✗	✗	✗	✗	✓	
Triethanolamin				✓		✓	✓	✓	✓	✓	○	✗	✗	✗	○	✗	✗	
Turpentine	✓		✓	✓		✗	✓			○	✗				✗		✓	
Vaseline				✓			✓		✓	○	✗	✓	✓	✗	✓	✗	✓	
Vegetable juice	✓		✓	✓		✓	✓	✓	✓	✓	✓	✓	✓	✓	✓	✓	✓	
Vegetable oils	✓		✓	✓		✓	✗	✓	✓	✓	○	✓	✓	○	✓	✓	✓	
Vinegar	✓		✓	100	✓	✓	10	✓	✓	✓	25	✓	○	25	○	✗	✗	
Water and soap	✓		✓	✓		✓	✓	✓	✓	✓	✓	✓	✓	✓	✓	✓	✓	
Whisky	✓		✓	✓	✓	✓	✓	✓	✓	✓	✓	✓	✓	✓	✓	✓	✓	
Wine	✓		✓	✓	✓	✓	✓	✓	✓	○	✓	✓	✓	✓	✓	✓	✓	
Xilol	✓		✓	✓	○	✗	✓	✗	✓	✓	✗	✗	✗	✗	✗	✗	✓	

* Viton is believed to be the trademark and/or trade name of The Chemours Company FC, LLC and is not owned or controlled by Regal Beloit Corporation.

ABBREVIATION

- ✓ = good resistance
- = fairly good resistance depending on use conditions
- ✗ = insufficient resistance (not recommended)
- C = concentration
- SA = saturated
- blank spaces = no tests performed

All values are only applicable to temperatures below 21°C / 70°F.



MATERIALS AND CALCULATIONS - General index **7 3 5 1 0 a** -

◀ back

7 3 5 6 0 a Steel chain materials

7 3 5 7 6 a Storage of plastic chains and belts & RoHs

7 3 5 8 0 a Coefficient of friction - Measurement procedure

7 3 5 7 3 a Nolu®-S parts

7 3 5 7 8 a Coefficient of friction of standard materials

7 3 5 8 8 a Application temperatures



Chains & sprockets	Wear strips	Side guide brackets & accessories	Levelers	Engineering manual
Modular belts & sprockets	Chain & belt return systems	Frame & structure supports	Bearing supports	
Curves & tracks	Side guide solutions	Miscellaneous products	Equipment	

7 3 5 8 8 a

APPLICATION TEMPERATURES

MATERIALS

For low and high temperature application please consult our Application Engineering department.

Be aware:

- If a chain, belt or other component is composed of several materials, all materials will have to be considered individually.
- Please note that the properties of a material change when the temperature changes
- In general, the impact resistance is reduced at low temperatures.
- The strength and wear resistance are reduced at elevated temperatures.
- High temperatures can also influence chemical resistance
- Some materials absorb moisture and expand/swell



MATERIAL	SYMBOL	USER FOR	MIN TEMP. °C	MAX. TEMP. °C		MIN TEMP. °F	MAX. TEMP. °F	
				DRY	WET		DRY	WET
Carbon steel	C45	Steel chains, roller chains	-70	180	not recommended	-95	350	not recommended
Ferritic stainless steel	Standard	Steel chains	-30	400	130	-20	750	265
Extra stainless steel	Extra	Steel chains	-30	400	130	-20	750	265
Extra plus stainless steel	Extra plus	Steel chains	-30	400	130	-20	750	265
Austenitic stainless steel	Austic	Steel chains, roller chains	-30	400	130	-20	750	265
Acetal resin	D,W	Plastic chains	-40	80	65	-40	175	150
Low friction acetal resin	LF (all colors)	Plastic chains and belts	-40	80	65	-40	175	150
Anti static acetal resin	AS	Plastic chains and belts	-40	80	not applicable	-40	175	not applicable
NG®evo conveyor components made from engineered plastic resin	NG®evo	Plastic chains and belts	-40	120	60	-40	250	140
Polypropylene	PP	Plastic chains and belts	5	104	104	41	220	220
Chemical resistant	CR	Plastic chains	5	104	104	41	220	220
Polyamide - PA High temperature resistance	HT	Plastic chains and belts	0	140	not applicable	30	285	not applicable
Polyphenylene sulfide Extra high temperature resistance	XT	Plastic chains and belts	-40	240	not applicable	-40	464	not applicable
Polyamide - PA Abrasion resistance	AR	Plastic chains	0	90	90	30	195	195
Thermoplastic rubber SEBS	TPR	VG chains and belts, gripper chains	-40	100	100	-40	210	210
NBR rubber	NBR	Gripper chains	-25	100	100	-15	210	210
EPDM rubber	EPDM	Gripper chains	-40	120	120	-40	250	250
EPDM-PP rubber	EPDM-PP	Gripper chains	-40	120	120	-40	250	250
Polyamide	PA	Sprockets, components	0	90	90	30	195	195
Polyamide reinforced	PA FV	Sprockets, bearing, components	0	90	90	30	195	195
Polypropylene	PP	Components	5	104	104	41	220	220
Polypropylene reinforced	PP FV	Bearing, components	5	104	104	41	220	220
Polyethylene	PE	Curves, components	-40	80	80	-40	175	175
Nolu®-S parts	Nolu®-S parts	Curves, components	-40	80	80	-40	175	175



MATERIALS AND CALCULATIONS - General index 7 3 5 1 0 a -

7 3 5 6 0 a Steel chain materials

7 3 5 7 6 a Storage of plastic chains and belts & RoHs

7 3 5 8 0 a Coefficient of friction - Measurement procedure

7 3 5 7 3 a Nolu®-S parts

7 3 5 7 8 a Coefficient of friction of standard materials

7 3 5 8 6 a Chemical resistance of standard materials



Chains & sprockets	Wear strips	Side guide brackets & accessories	Levelers	Engineering manual
Modular belts & sprockets	Chain & belt return systems	Frame & structure supports	Bearing supports	
Curves & tracks	Side guide solutions	Miscellaneous products	Equipment	

**SYSTEM
PLAST®**

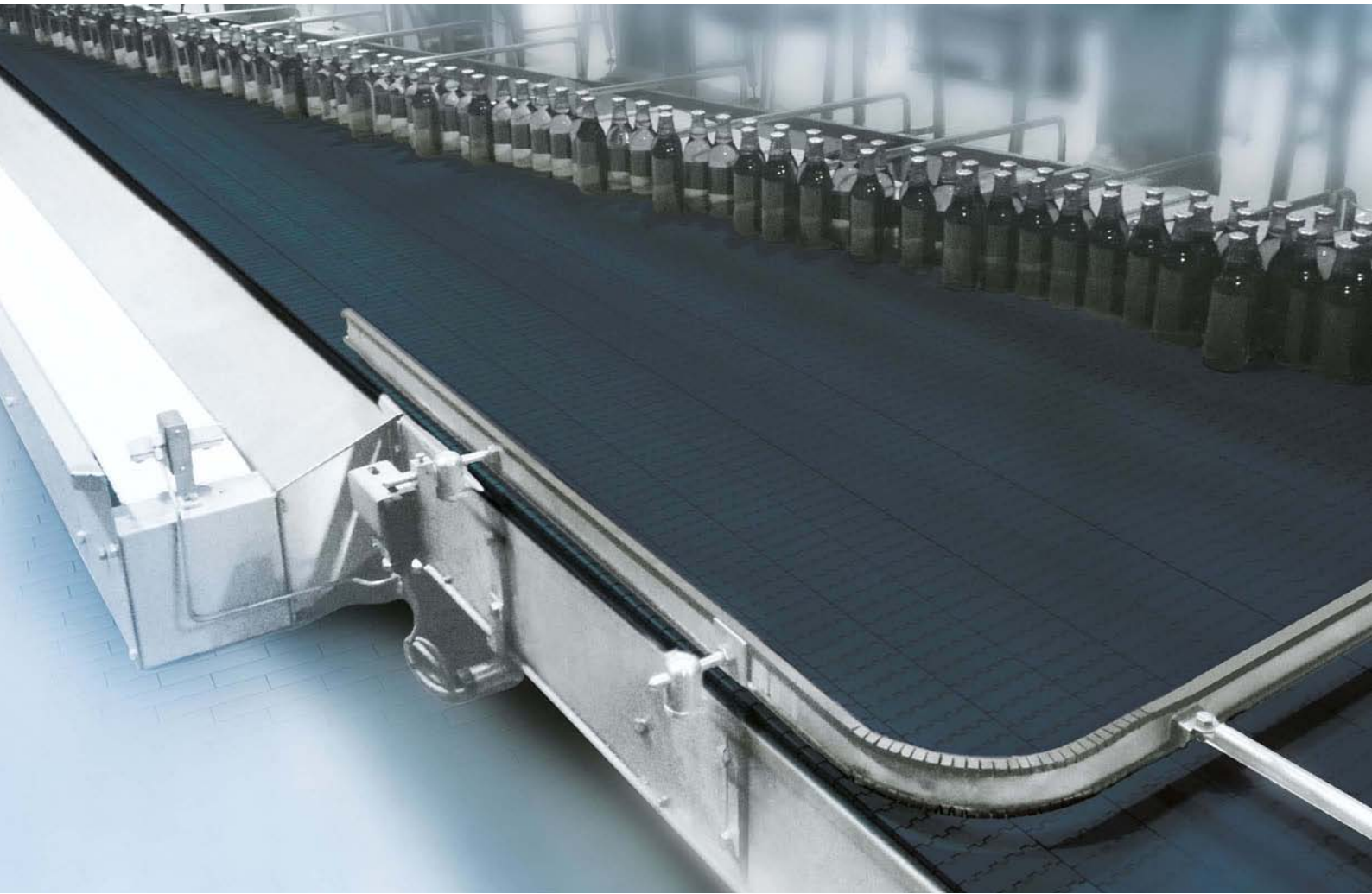


continue ►

7 3 7 0 0 a | **NG® EVO CONVEYOR COMPONENTS MADE FROM ENGINEERED PLASTIC RESIN**



Plastic Chains & Modular Belts



MATERIALS AND CALCULATIONS - General index **7 3 5 1 0 a -**

continue ►

Chains & sprockets	Wear strips	Side guide brackets & accessories	Levelers	Engineering manual
Modular belts & sprockets	Chain & belt return systems	Frame & structure supports	Bearing supports	
Curves & tracks	Side guide solutions	Miscellaneous products	Equipment	

7 3 7 0 1 a NG® EVO CONVEYOR COMPONENTS MADE FROM ENGINEERED PLASTIC RESIN



◀ back continue ▶

WHAT PLASTIC MATERIALS ARE USED IN NEW GENERATION® CONVEYOR COMPONENTS?

The System Plast® New Generation® family of chains and belts conveyor components are made of proprietary engineered resins designed to provide a sustainable advantage over “industry standard” materials. Their reduced coefficient of friction properties enable end users to reduce or eliminate their chain/belt lubrication thus providing a true “dry running” conveyor. Better sliding properties also result in reduced power consumption, increased wear life, reduced dust generation and the ability to run at higher speeds.

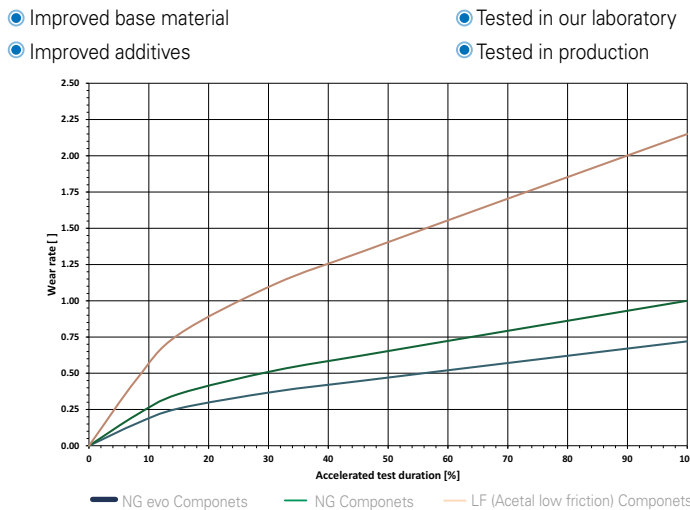
SYSTEM PLAST PRODUCTS ARE LEADING THE WAY WITH INNOVATION!

We introduced the New Generation® brand of conveyor components 20 years ago. It was soon recognized to offer new possibilities for running conveyors lines without lubrication. This enabled the reduction/elimination of soap & water or dry lubricants creating a safer work environment and cost savings. NG® conveyor components have also proven they provide longer wear life in comparison to acetal materials, and reduce noise levels in dry applications.

Regal expertise with unique materials and in-house integrated tool development is critical for consistent control over design and manufacturing processes.

MATERIAL EVOLUTION TO MEET YOUR GOALS

Understanding the growing demands on safety, hygiene, sustainability and TCO (total cost of ownership) - Regal challenged itself to improve the original formulation. This successful development created a new and improved resin used to make NG® Evolution conveyor components which helps to meet your goals. Your floors can be drier, bacteria growth can be reduced, energy and water consumption can be less and your TCO will be improved.



IMPROVEMENTS OF NG® EVO COMPARED TO NG® CONVEYOR COMPONENTS

- Lower friction - Friction is reduced up to 15%.
- Higher strength - Up to 10%
- Higher abrasion resistance
- Approved for direct food contact according to EU and FDA regulations



MATERIALS AND CALCULATIONS - General index 7 3 5 1 0 a -

◀ back continue ▶

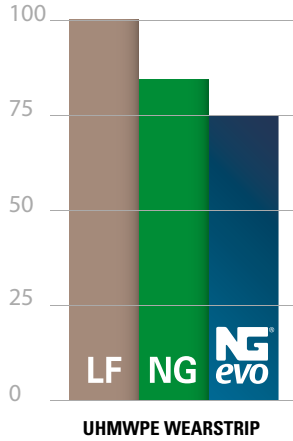


Chains & sprockets	Wear strips	Side guide brackets & accessories	Levelers	Engineering manual
Modular belts & sprockets	Chain & belt return systems	Frame & structure supports	Bearing supports	
Curves & tracks	Side guide solutions	Miscellaneous products	Equipment	

7 3 7 0 2 a NG® EVO CONVEYOR COMPONENTS MADE FROM ENGINEERED PLASTIC RESIN



◀ back continue ▶



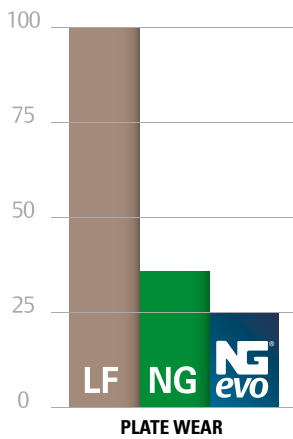
LOWEST COEFFICIENT OF FRICTION BETWEEN CHAIN /BELT AND WEARSTRIP

Coefficient of friction NG® evo conveyor components on UHMWPE wearstrip:

- 25% lower than LF acetal chain
- 15% lower than NG chain

Coefficient of friction values of 0,10 or even less are achievable in running dry applications

- Less power consumption
- Improved product stability
- Improved product flow
- Improved productivity



HIGHEST PLATE WEAR RESISTANCE

Plate wear in accelerated abrasion test after 5400 km run length

- 75% less wear than LF acetal chain
- 30% less wear than NG chain

Increased wear provides many advantages

- Less dust generation
- Reduced contamination
- Reduced cleaning requirements

NG® EVO CONVEYOR COMPONENTS ARE APPROVED FOR DIRECT FOOD CONTACT ACCORDING TO EU AND FDA REGULATIONS

NOISE REDUCTION:

With NG evo components the risk of noisy chains is greatly reduced compared to LF acetal chains. Squealing curves can be resolved and improve the work environment.

HIGH PV (PRESSURE VELOCITY) LIMIT:

With NG evo conveyor components, higher speeds and higher loads are achievable in dry running lines compared to LF Acetal chains. Additional speed and wear advantages can be also gained when used in combination with NOLU®-S or NOLU-SR curves.

CHEMICAL RESISTANCE:

NG evo conveyor components have a better chemical resistance than LF acetal materials, being compatible with most cleaning agents, especially in aseptic filling with the presence of H₂O₂ (hydrogen peroxide). The material in NG evo components, unlike many other materials used in the same application, do not get attacked by this chemical.



MATERIALS AND CALCULATIONS - General index 7 3 5 1 0 a -

◀ back continue ▶



Chains & sprockets	Wear strips	Side guide brackets & accessories	Levelers	Engineering manual
Modular belts & sprockets	Chain & belt return systems	Frame & structure supports	Bearing supports	
Curves & tracks	Side guide solutions	Miscellaneous products	Equipment	



ENHANCED RUNNING DRY POSSIBILITIES WITH NG®EVO CONVEYOR COMPONENTS:

Contact Regal for assistance to help you achieve this goal.

An overview of the process is shown below :

STEP 1: GOAL TO RUN DRY

- Save water / lubricant consumption
- Eliminate wet floors • safety
- Less bacteria growth • hygiene
- Reduce maintenance
- Reduce energy consumption

STEP 2: DEFINE PROCESS PARAMETERS

- Layout
- Production / hour • speeds
- Geometry bottle, can, etc.

STEP 3: DEVELOP A ROBUST PROCESS

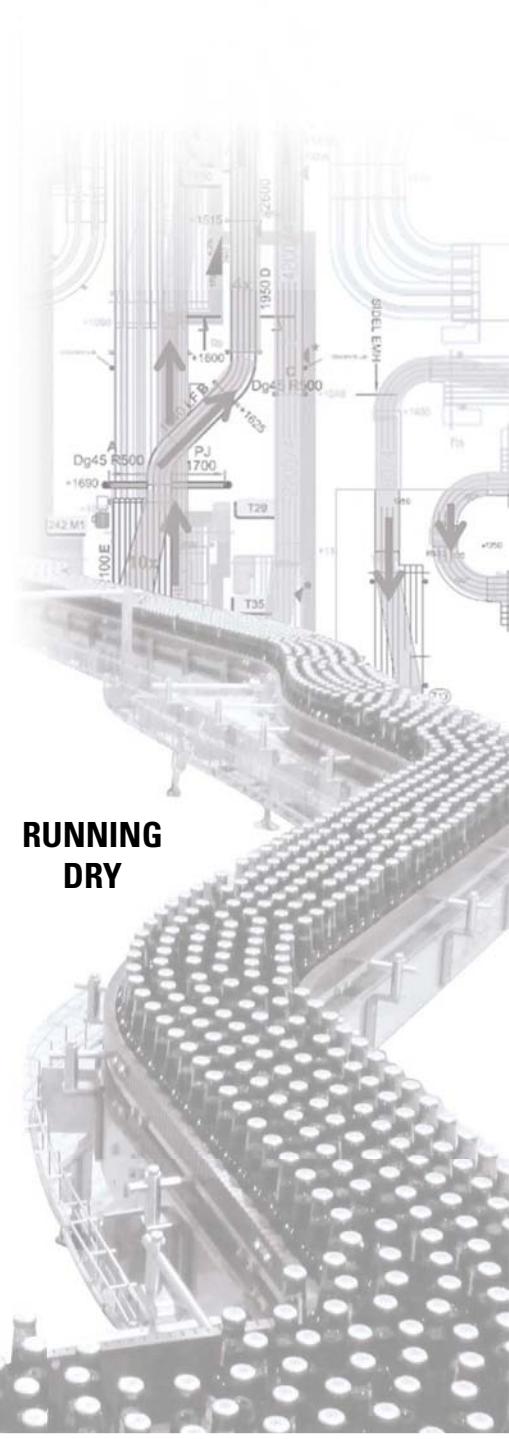
- Analyze the data from the previous step
- Discuss requirements and conditions with OEM and End user
- Select the correct products

STEP 4: IMPLEMENT DRY RUNNING

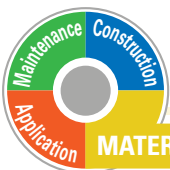
- Advise during installation
- Train operators

STEP 5: CONTROL AND IMPROVE PROCESS

- Monitor, follow up and make changes if necessary
- Analyze the collected data



RUNNING DRY



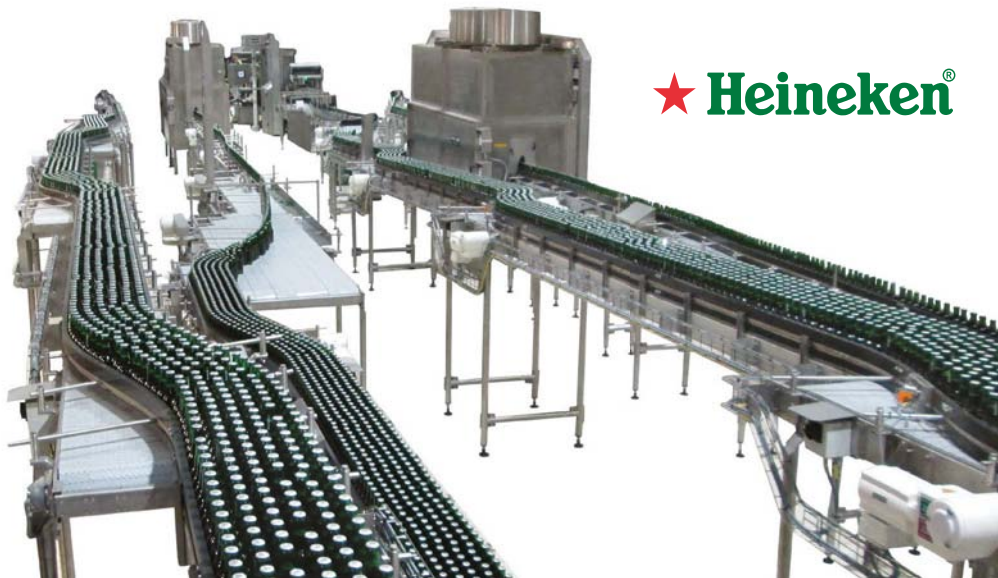
Chains & sprockets	Wear strips	Side guide brackets & accessories	Levelers	Engineering manual
Modular belts & sprockets	Chain & belt return systems	Frame & structure supports	Bearing supports	
Curves & tracks	Side guide solutions	Miscellaneous products	Equipment	



A SUCCESS STORY OF NG® CONVEYOR COMPONENTS



◀ back



DRY RUNNING SYSTEM PLAST® CONVEYOR COMPONENTS HELP HEINEKEN BREW A BETTER FUTURE WITH WATERLESS BOTTLING CONVEYORS IN ZOETERWOUDE PLANT

THE TWO WATER FOOTPRINT NETWORK PARTNERS TEAM UP TO IMPROVE PLANT SAFETY AND SUSTAINABILITY BY REDUCING WATER USE, ENERGY CONSUMPTION, AND SOUND LEVELS AT ZOETERWOUDE BREWERY.

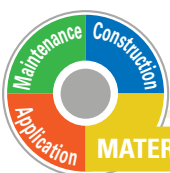
Zoeterwoude, Netherlands 2014 - Heineken* N.V.'s global sustainability strategy, known as "Brewing a Better Future," produced a company-wide reduction of 20 percent in water use between 2008 and 2013. Playing a role in that improvement are System Plast NG® conveyor chain/belts and NOLU®-S wear track from System Plast S.r.l., a subsidiary of Regal Beloit Corporation (referred to from here on as "Regal"). The ultra-low-friction components, which are being deployed in phases at Heineken's Zoeterwoude brewery, eliminate the need for water and chemical-based lubrication on the filling lines - including those where abrasive particles from aluminum cans, party kegs and returnable glass bottles have been a problem in the past.

According to managers at the brewery, the dry running conveyor is producing a cascade of sustainability improvements with a cleaner, quieter, more energy-efficient and reliable plant. "We have experienced a wide variety of gains from the System Plast dry running conveyor," said Mr. Cok Duivenvoorden, Technical Line Manager at Zoeterwoude. "Specifically, we have improved plant safety and hygiene with dry equipment and floors. Maintenance is easier because of the cleanliness and better access where drip trays have been removed. We have reduced costs for water, lubricating chemicals and wastewater discharge. Dry operation is easier on conveyor bearings and frames, yet still reduces energy consumption because of the low-friction components. System Plast NG chain lasts up to five times longer than low-friction acetal in some of our applications. And when installed to replace worn-out conveyor, the new chain pays for itself in as little as a year."

A JOINT GOAL TO REDUCE WATER USE IN BEVERAGE PROCESSING

One goal of Heineken's "Brewing a Better Future" sustainability program is to reduce water consumption by at least 25% by 2020, and both Heineken and Regal are pursuing dry conveying solutions as members of the Water Footprint Network. The network is a global organization of businesses, governmental agencies and environmental groups that promotes the transition to sustainable use of fresh water resources through increased awareness of how production and consumption of goods affect fresh water systems.

*Heineken is believed to be a trademark and/or trade name of Heineken Brouwerijen B.V. and is not owned or controlled by Regal Beloit Corporation.



◀ back



Chains & sprockets	Wear strips	Side guide brackets & accessories	Levelers	Engineering manual
Modular belts & sprockets	Chain & belt return systems	Frame & structure supports	Bearing supports	
Curves & tracks	Side guide solutions	Miscellaneous products	Equipment	



7 3 9 9 5 a

APPLICATION CONSIDERATIONS

The proper selection and application of power transmission products and components, including the related area of product safety, is the responsibility of the customer. Operating and performance requirements and potential associated issues will vary appreciably depending upon the use and application of such products and components. The scope of the technical and application information included in this publication is necessarily limited. Unusual operating environments and conditions, lubrication requirements, loading supports, and other factors can materially affect the application and operating results of the products and components and the customer should carefully review its requirements. Any technical advice or review furnished by Regal Beloit America, Inc. and its affiliates with respect to the use of products and components is given in good faith and without charge, and Regal assumes no obligation or liability for the advice given, or results obtained, all such advice and review being given and accepted at customer's risk.

For a copy of our Standard Terms and Conditions of Sale, Disclaimers of Warranty, Limitation of Liability and Remedy, please contact Customer Service.

These terms and conditions of sale, disclaimers and limitations of liability apply to any person who may buy, acquire or use a Regal Beloit America Inc. product referred to herein, including any person who buys from a licensed distributor of these branded products.

INSPECTION AND MAINTENANCE **7 3 0 1 0 a**

7 2 1 1 0 a **CONSTRUCTION DETAILS**

APPLICATIONS **7 2 5 1 0 a**

7 3 5 1 0 a **MATERIALS AND CALCULATIONS**



Chains & sprockets	Wear strips	Side guide brackets & accessories	Levelers	Engineering manual
Modular belts & sprockets	Chain & belt return systems	Frame & structure supports	Bearing supports	
Curves & tracks	Side guide solutions	Miscellaneous products	Equipment	

Item description	Page code	Item description	Page code	Item description	Page code	Item description	Page code
1400..D	11590a	820..WL	11050a	BKR-77W43P..	53535a	CL-RD8-PD..	51650a
1400..R	11590a	820..WM	11050b	BKR-77W43S..	53535a	CL-RD8-PF	51650a
1400V..R	11600a	820..WMS	11050b	BKR-84W31LP..	53525b	CON..	50600a
1700..D	11550a	820..WS	11050a	BKR-85W44P..	53545b	CON-H7816M-S	51690a
1700..DMS	11550a	821..D	11320b	BKR-87W31LP..	53525b	CON-H8716M-S	51700a
1700..RB	11560a	821..R	11320b	BKR-88W43P..	53535b	CRBFTRS..	56044a
1700..RC	11560a	821..W	11320b	BKR-93W43LP..	53535b	CRBFTRS..	56074a
1700..RM	11550a	821..WMS	11320b	BKZ-154-SS	53580a	CS..	56100a
1700..RMS	11550a	878..D	11270a	BPS-4020..	54040a	CSHOE..	50600a
1874..	11140a	878..RB	11270a	CAP-10M..	53605a	DS-25M52	54520a
1874..	11450a	878..RC	11270a	CAP-25M..	54530a	DS-30M52	54520a
2080..DM	30027a	880..DMS	11260a	CAP-30M..	54530a	DTS..	53600a
2080..DMS	30027a	880..DS	11260a	CAP7023-P-YT	56300b	F-100..	51090a
2120..	30160a	880..RMS	11260a	CAP7023-B30M..	56300b	F-26..	51090a
2120..DS-PK2	30160c	880..RS	11260a	CAP8437-P-YT	56300b	F-50..	51090a
2122..	30166a	880T..W	11260d	CAP-8437-B40M..	56300b	F-60..	51090a
2124..	30165a	880T..WMS	11260d	CAP-50M..	54530a	F-70..	51090a
2190..	30235a	881..DMS	11090a	CC-16..	53610a	F-90..	51090a
2250..	30395a	881..DS	11090a	CC-19-12MK-12MK	53620a	FT-HDL..	54560a
2251..	30550a	881..RMS	11090a	CC-20..	53620a	FT-LOCK..	54570a
2256..	30740a	881..RS	11090a	CC-25-12MK..	53620a	FT-MAG..	54570a
2256ST..	30740b	881T..W	11090b	CC-25-14M..	53615a	GLSHOE-S330	50600b
2260..	30715a	881T..WMS	11090b	CC-25-15M..	53615a	GNP..	56300a
2260..DS-PK2	30715b	882..DMS	11300a	CC-25-16M..	53615a	GP..	54540a
2351..	30760a	882..DS	11300a	CC-25-18M..	53615a	GRINGK..	11090d
2500..	30615a	882..RMS	11300a	CC-25-20M..	53615a	GRP..EPDM	11440b
2502..	30618a	882..RS	11300a	CC-42-12MK..	53620a	GRP..NBR	11440a
2508..	30640a	882T..W	11300b	CC-42-12MQ..	53630a	GRP..NBR	11440a
2630..	30650a	BCK..	50600a	CC-52-R..	53650a	GRP..NBR	11430a
500..	56300b	BEC-19	56044a	CC-52-S..	53645a	GRSHOE-S330	50600b
515..DMS	11130a	BEC-24	56074a	CJ..	54520a	HDL-117..	54560a
515..RMS	11130a	BEO-19	56044a	CL..	56090a	HDL-120..	54560a
600..RM	11580a	BEO-24	56074a	CL-1020S	52550a	HDL-94..	54560a
800..DMS	11120a	BK-47W44..	53545b	CL-1540S	52530a	HNG..	54550a
800..DMS-F	11120b	BK-49W31L	53525b	CL-6065X38	50600a	HUB110..	11270a
800..DMS-FSS	11120b	BK-50W43	53535b	CL-CON-P..	51600a	ICOF-CAN	57080a
800..RMS	11120a	BK-55W43L	53535b	CL-CON-P25..	51630a	ICOF-GLASS	57080a
800..WMS	11120b	BKE-85W22..	53555a	CL-CON-PD..	51610a	ICOF-PET	57080a
800..FSS	11120b	BKF-35W31L..	53555a	CL-CON-R	51820a	ICOF-SLIDER-CAN	57080a
815..D	11040a	BKF-61W38..	53560a	CL-D..	51660a	ICOF-SLIDER-GLASS	57080a
815..DMS	11040b	BKF-65W30L..	53555a	CL-H45S	52521a	ICOF-SLIDER-PET	57080a
815..DMS-F	11090d	BKF-66W31L..	53515a	CL-H5210..	52594a	IND-142B..	53635a
815..DS	11040a	BKF-66W31L..	53515b	CL-H7816M..	51690a	IND-350R..	53635a
815..FSS	11090d	BKF-79W30..	53555a	CL-H8716M..	51700a	MODFLEX...A90R	57035a
815..RMS	11040b	BKF-89W38..	53560a	CL-H9014M..	51680a	MODFLEX...A180R	57055a
8157..DMS	11100a	BKL..SS	53580a	CL-RD10-P..	51640a	MODFLEX...A90L	57040a
8157..DMS-F	11100b	BKR-67W44P..	53545b	CL-RD10-P258M	51650a	MODFLEX...A180L	57060a
8157..FSS	11100b	BKR-69W31LP..	53525a	CL-RD10-PD..	51650a	MODFLEX...A90R-TM	57045a
820..D	11200a	BKR-69W31LP..	53525b	CL-RD12-P..	51640a	MODFLEX...A180R-TM	57065a
820..DM	11200b	BKR-69W31LS..	53525a	CL-RD12-P258M	51650a	MODFLEX...A90L-TM	57050a
820..DMS	11200a	BKR-69W44P..	53545a	CL-RD12-PD..	51650a	MODFLEX...A180L-TM	57070a
820..DS	11200a	BKR-69W44S..	53545a	CL-RD14-P..	51640a	MODSORT-AI2..	57015a
820..RM	11200b	BKR-70W43P..	53535b	CL-RD14-P258M	51650a	MODSORT-MSGK..	57020a
820..RMS	11200b	BKR-72W43P..	53535a	CL-RD20-P..	51640a	MODSORT-MPES..	57020a
820..RS	11200b	BKR-72W43S..	53535a	CL-RD8-P..	51640a	MODSORT-MPEK	57020a
820..W	11050a	BKR-75W43LP..	53535b	CL-RD8-P258M	51650a	MODSORT-MPS..	57020a

Legend

Codes ending with .. indicate a group of item descriptions all starting with the code listed. Example: 2122.. (all item descriptions starting with 2122).
 Codes with .. in the middle indicate a group of item descriptions starting and ending with the codes listed. Example 2251..RS (all item descriptions starting with 2251 and ending with RS). **Information about item descriptions, printed in blue, is only available on our website: www.SystemPlastSmartGuide.com**

Chains & sprockets	Wear strips	Side guide brackets & accessories	Levelers	Engineering manual
Modular belts & sprockets	Chain & belt return systems	Frame & structure supports	Bearing supports	
Curves & tracks	Side guide solutions	Miscellaneous products	Equipment	

Item description	Page code	Item description	Page code	Item description	Page code	Item description	Page code
KMD01..	50050a	KNF-50H56..	54600a	LF879TAB..	11230a	LFG2251FT-P.VG-3	30490c
KMD02..	50050a	KNF-53H45..	54600a	LF880..	11240a	LFG2251FT-PT.VG	30490d
KMD03..	50020a	KNF-80H51..	54600a	LF8800P..	11240b	LFG2251FT-PT.VG-2	30490d
KMD04..	50050a	KNM-20H13..	54610a	LF880M..	11220a	LFG2251FT-PT.VG-3	30490d
KMD05..	50030a	KNM-25H16..	54610a	LF880TAB..	11230a	LFG2251FT-PT.VGS	30495d
KMD06..	50020a	KNM-30H21..	54610a	LF882M..	11280a	LFG2251FT-PT.VGS-2	30495d
KMD07..	50020a	KNM-40H26..	54610a	LF882TAB..	11290a	LFG2251FT-PT.VGS-3	30495d
KMD08..	50020a	KNM-50H32..	54610a	LFB2080FT..	30025a	LFG2251FT-TAB..	30710a
KMD09..	50020a	KNM-50H40..	54600a	LFB2120FG..	30070a	LFG2251LBP..	30500a
KMD10..	50020a	LA100..	55585a	LFB2120FT..	30050a	LFG2252PT..	30481a
KMD11..	50030a	LA100..	55825a	LFB2250FG..	30360a	LFG2253FT..	30330a
KMD12..	50030a	LA100-SH..	55810a	LFB2250FT..	30325a	LFG2260FT-M..	30700a
KMD21..	50040a	LA110..	55600a	LFB2253FT..	30330a	LFG2351..	30745a
KMD22..	50040a	LA120E-02B..	55645a	LFB2253RT..	57015a	LFG2351.VG	30755a
KMD23..	50040a	LA123H-02B..	55645a	LFB2253RTC..	30398a	LFG2451TAB..	30750a
KMD24..	50040a	LA40..	55525a	LFB2256..	30730a	LFG2508FTS..	30620a
KMD25..	50080a	LA50..	55540a	LFB2256.VG	30735a	LFG2551..	30745a
KMD26..	50080a	LA60..	55555a	LFG1700	11530a	LFG2630FTS..	30645a
KMD27..	50080a	LA60-01..	55630a	LFG1702	11530a	LFG2651TAB..	30750a
KMD28..	50080a	LA60H-01..	55630a	LFG1710..	11540a	LFG-COMB2500..	30615a
KMD31..	50040a	LA60S-01..	55630a	LFG1710-CTAB..	11540a	LFM30..	55750a
KMD32..	50040a	LA80..	55570a	LFG2120FG..	30070a	LFM40..	55750a
KMD33..	50040a	LA80H..	55570a	LFG2120FT..	30050a	LFM50..	55750a
KMD37..	50040a	LA80S..	55780a	LFG2120FT-PT..	30060b	NGE1400V.TAB	11600a
KMD39..	50060a	LAF100SH-01..	55630a	LFG2120FT-PT.VG-2	30100d	LFW1400..	11590a
KMD40..	50060a	LAF123H..	55840a	LFG2120FT-PT.VG-3	30100d	LFW1400V.TAB	11600a
KMD41..	50060a	LAF123H-02B..	55660a	LFG2120FT-PT2..	30060b	LFW1431..	11590a
KMD42..	50060a	LAS100..	55615a	LFG2250FG..	30360a	LFW1700	11530a
KMD48..	50060a	LAS120..	55615a	LFG2260FG-M..	30700a	LFW1701-TAB	11530a
KMD52..	50060a	LAS80..	55615a	LFG2250FG-PT..	30360c	LFW1702	11530a
KMD61..	50050a	LAX100..	55810a	LFG2250FG-PT2..	30360c	LFW1710..	11540a
KMD62..	50050a	LAX102..	55795a	LFG2250FT..	30325a	LFW1710-CTAB..	11540a
KMD64..	50101a	LAX123..	55840a	LFG2250FT.VG	30370a	LFW600..	11570a
KMD66..	50101a	LAX123-02B..	55660a	LFG2250FT.VG-2	30370b	LFW600F	11580a
KMD68..	50070a	LB100	55735a	LFG2250FT.VG-3	30370b	LFW631 TAB	11580a
KMD71..	50070a	LB150	55735a	LFG2250FT.VGS	30380a	LMM120..	55720a
KMD78..	50070a	LB200	55735a	LFG2250FT.VGS-2	30380b	LMM80..	55720a
KMD82..	50070a	LB80	55735a	LFG2250FT.VGS-3	30380b	LMP125..	55705a
KMD84..	50101a	LF1700	11530a	LFG2250FT-K330	30310a	LMP80..	55705a
KMD85..	50101a	LF1701-TAB	11530a	LFG2250FT-PT..	30335b	LMPH123..	55735a
KMD86..	50101a	LF1702	11530a	LFG2250FT-PT.VG	30370d	LSHOE-S330	50600b
KMD87..	50101a	LF1843 SS TAB..	11470a	LFG2250FT-PT.VG-2	30370d	LSS100..	55675a
KMD89..	50091a	LF1843 TAB..	11470a	LFG2250FT-PT.VG-3	30370d	LSS125..	55675a
KMD91..	50091a	LF820..	11190a	LFG2250FT-PT2..	30335b	LSS50..	55675a
KMD92..	50091a	LF820P..	11190a	LFG2250FT-PT-K330	30310a	LSS75..	55675a
KMD93..	50091a	LF821..	11320a	LFG2250FT-TAB..	30710a	LSSC100..	55690a
KMD96..	50091a	LF8257..	11310a	LFG2251FT..	30440a	LSSC125..	55690a
KMD97..	50101a	LF828..	11210a	LFG2251FT.VG	30490a	LSSC75..	55690a
KNF-30H21..	54610a	LF831..	11190a	LFG2251FT.VG-2	30490b	SNB2080..	30029a
KNF-40H26..	54610a	LF843..	11460a	LFG2251FT.VG-3	30490b	NB2120..	30175a
KNF-50H32..	54610a	LF845..	11460a	LFG2251FT.VGS	30495a	SNB2120..	30175a
KNF-50H39..	54600a	LF877TAB..	11230a	LFG2251FT.VGS-2	30495b	NGD1873TAB..VG	11420a
KNF-50H40..	54600a	LF878TAB..	11230a	LFG2251FT.VGS-3	30495b	NGE1400..	11590a
KNF-50H41..	54600a	LF879..	11240a	LFG2251FT-M..	30700a	NGE1431..	11590a
		LF8790P..	11240b	LFG2251FT-P.VG	30490c	NGE1700	11530a
		LF879M..	11220a	LFG2251FT-P.VG-2	30490c	NGE1701-TAB	11530a

Legend

Codes ending with .. indicate a group of item descriptions all starting with the code listed. Example: 2122.. (all item descriptions starting with 2122).
Codes with .. in the middle indicate a group of item descriptions starting and ending with the codes listed. Example 2251..RS (all item descriptions starting with 2251 and ending with RS). **Information about item descriptions, printed in blue, is only available on our website: www.SystemPlastSmartGuide.com**

Chains & sprockets	Wear strips	Side guide brackets & accessories	Levelers	Engineering manual
Modular belts & sprockets	Chain & belt return systems	Frame & structure supports	Bearing supports	
Curves & tracks	Side guide solutions	Miscellaneous products	Equipment	

Item description	Page code	Item description	Page code	Item description	Page code	Item description	Page code
NGE1702	11530a	NGE2250FG-P2..	30360b	NGE880..	11240a	R-60..83-PEG	51080a
NGE1863 TAB..	11490a	NGE2250FG-P-K330	30340a	NGE8800..	11240b	R-60..85-PEB-S	51110a
NGE1863SS TAB..	11490a	NGE2250FG-PT..	30360c	NGE8800P..	11240b	R-60..85-PEG	51080a
NGE1873SS TAB..	11470a	NGE2250FG-PT..T	30350a	NGE8800M..	11220a	R-9B4..	52680a
NGE1873SS TAB..GS	11440b	NGE2250FG-PT2..	30360c	NGE880TAB..	11230a	RF-11B4..	52680a
NGE1873SS TAB..GS..	11440a	NGE2250FT..	30325a	NGE880TAB..VAC43X2	11235a	RF-17B6..	52680a
NGE1873SS TAB..VG	11420a	NGE2250FT-K330	30310a	NGE882LBP TAB..	11360a	RF-21B6..	52680a
NGE1873SS TAB..VG85QH.5	11425a	NGE2250FT-P..	30335a	NGE882LBP..	11360a	RF-24B6..	52680a
NGE1873TAB..	11470a	NGE2250FT-P2..	30335a	NGE882M..	11280a	RF-40..86-PEG	51080a
NGE1873TAB..GS	11440b	NGE2250FT-PT..	30335b	NGE882M..VG	11400a	RF-41..B	51020a
NGE1873TAB..GS..	11440a	NGE2250FT-PT..T	30320a	NGE882TAB..	11290a	RF-41..G	51060a
NGE1873TAB..VG	11420a	NGE2250FT-PT2..	30335b	NGE882TAB..VG	11400a	RF-47..G	51030a
NGE2080FT..	30025a	NGE2250FT-PT-K330	30310a	NGE-S-K38..	11330a	RF-50..28-PEG	51040a
NGE2120FG..	30070a	NGE2250FT-PT-K330T	30320a	PAB-COMB2500..	30615a	RF-50..43-PEG	51050a
NGE2120FG-P..	30075a	NGE2250FT-TAB..	30710a	PC-125110..	53640a	RF-50..86-PEG	51080a
NGE2120FG-P2..	30075a	NGE2251FT..	30440a	PC-25..	53610a	RF-50..B	51030a
NGE2120FG-PT..	30075b	NGE2251FT-K330	30420a	PC-25T..	54530a	RF-60..43-PEG	51050a
NGE2120FG-PT2..	30075b	NGE2251FT-M..	30700a	PC-30T..	54530a	RF-60..86-PEG	51080a
NGE2120FT..	30030a	NGE2251FT-PT..	30450b	PC-9075..	53635a	RF-60..G	51030a
NGE2120FT..	30050a	NGE2251FT-PT..T	30430a	PC-KIT	53640a	RG-105H..	52570a
NGE2120FT..GB	30120a	NGE2251FT-PT..TL	30430a	PC-KIT-0M	53605a	RG-105H49..3000A	52572a
NGE2120FT..GB-2	30120b	NGE2251FT-PT-K330	30420a	PC-KIT-19M	53605a	RG-105H49..3000S	52571a
NGE2120FT..GB-3	30120b	NGE2251FT-TAB..	30710a	PCO-H7816M-B	51690a	RG-105H49..348	52590a
NGE2120FT..VG50	30100a	NGE2251LBP..	30500a	PCO-H8716M-B	51700a	RG-105H52..3000S	52594a
NGE2120FT..VG50-2	30100b	NGE2251LBP-P..	30500b	PCO-H9014M-G	51680a	RG-105H81..3000A	52572a
NGE2120FT..VG50-3	30100b	NGE2252FT..	30445a	P-D..	51830a	RG-105H81..3000S	52571a
NGE2120FT..VGS50	30105a	NGE2252FT..	30420a	PE..	51830a	RG-165..	52520a
NGE2120FT-P..	30060a	NGE2252FT-PT..	30420a	PEN-H7816M-B	51690a	RG-210H50..	52570a
NGE2120FT-P..VG50	30100c	NGE2253FT..VAC43	30398n	PEN-H8716M-B	51700a	RG-210H50..3000A	52572a
NGE2120FT-P2..	30060a	NGE2260FT-M..	30700a	PEN-H9014M-G	51680a	RG-210H50..3000S	52571a
NGE2120FT-PT..	30030b	NGE600..	11570a	PF..	51830a	RG-240..	52521a
NGE2120FT-PT..	30060b	NGE820..	11190a	PG..	51830a	RG-240H45..3000S	52530a
NGE2120FT-PT..T	30045a	NGE820P..	11190a	PK-D12M110	51830a	RG-86H..	52570a
NGE2120FT-PT..VG50	30100d	NGE821..	11320a	PM10..	51830a	RG-86H49..3000A	52572a
NGE2120FT-PT2..	30060b	NGE821..VG	11410a	PMB..	54530a	RG-86H49..3000S	52571a
NGE2120LBP..	30110a	NGE821LBP..	11370a	PP1873SS TAB..GS..	11440b	RG-86H49..348	52590a
NGE2120M..	30720a	NGE8257..	11310a	PPW2502DT..	30617a	RG-86H81..3000A	52572a
NGE2121FT..	30030a	NGE8257..VG	11410a	PP878TAB..GS..	11430b	RG-86H81..3000S	52571a
NGE2121FT..	30055a	NGE8257LBP..	11370a	PPG2500RR..	30610a	RG-86H81..3000S	52571a
NGE2121FT-PT..	30030b	NGE828..	11210a	R-26..B	51020a	RGC..	52550a
NGE2122FG..	30073a	NGE831..	11190a	R-26..G	51060a	RGC18-86H49..	52592a
NGE2124FT..	30030a	NGE831..VG	11380a	R-40..83-PEB-S	51110a	RGC20-105H49..	52592a
NGE2124FT..VG	30090a	NGE831LBP..	11340a	R-40..83-PEG	51080a	RGC32-86H49..	52593a
NGE2124FT-PT..	30030b	NGE863..	11460a	R-40..85-PEG	51080a	RGC33-105H49..	52593a
NGE2124FT-PT..VG	30090a	NGE877TAB..	11230a	R-41..B	51020a	RH-45..	54620a
NGE2190FG..	30230a	NGE878LBP..	11350a	R-41..G	51060a	RH-65..	54620a
NGE2190FG..	30220a	NGE878TAB..	11230a	R-49..G	51040a	RH-80..	54620a
NGE2190FG-PT..	30220a	NGE878TAB..GS..	11430b	R-50..27-PEG	51040a	RPAD10004	55810a
NGE2190FT..	30210a	NGE878TAB..GS..	11430a	R-50..41-PEG	51050a	RPAD10108	55600a
NGE2190FT..	30200a	NGE878TAB..VG	11390a	R-50..43-PEG	51050a	RPAD11207	55615a
NGE2190FT-PT..	30200a	NGE879..	11240a	R-50..83-PEB-S	51110a	RPAD11207	55645a
NGE2190FT-PT..T	30215a	NGE879LBP TAB..	11350a	R-50..83-PEG	51080a	RPAD12208	55660a
NGE2250FG..	30360a	NGE879M..	11220a	R-50..85-PEB-S	51110a	RPAD12208	55645a
NGE2250FG-K330	30340a	NGE879M..VG	11380a	R-50..85-PEG	51080a	RPAD12208	55840a
NGE2260FG-M..	30700a	NGE879TAB..	11230a	R-60..41-PEG	51050a	RPAD12506	55705a
NGE2250FG-P..	30360b	NGE879TAB..VG	11390a	R-60..83-PEB-S	51110a	RPAD12506	55720a

Legend

Codes ending with .. indicate a group of item descriptions all starting with the code listed. Example: 2122.. (all item descriptions starting with 2122).
 Codes with .. in the middle indicate a group of item descriptions starting and ending with the codes listed. Example 2251..RS (all item descriptions starting with 2251 and ending with RS). **Information about item descriptions, printed in blue, is only available on our website: www.SystemPlastSmartGuide.com**

Chains & sprockets	Wear strips	Side guide brackets & accessories	Levelers	Engineering manual
Modular belts & sprockets	Chain & belt return systems	Frame & structure supports	Bearing supports	
Curves & tracks	Side guide solutions	Miscellaneous products	Equipment	

Item description	Page code	Item description	Page code	Item description	Page code	Item description	Page code
RPAD3206	55525a	SP-10944T15	53545a	TCHD-R150-R150-S	54080a	TTM87..	50101a
RPAD4206	55540a	SP-11253T15	53545a	TC-R150-S	54080a	TTM90..	50091a
RPAD5207	55630a	SP-7550..	53515a	TEE..	54080a	TTM91..	50091a
RPAD5306	55555a	SP-R36T..	53535a	TEE-3815-BM10	54080a	TTM92..	50091a
RPAD7207	55615a	SPSL815..	11020a	TEE-4415-BM10	54080a	TTM93..	50091a
RPAD7207	55570a	SPSL881MO..	11060a	TEE-4815-BM10	54080a	TTM96..	50091a
RPAD8006	55705a	SPT-10..	51160a	TE-R..	55765a	TTM97..	50101a
RPAD8006	55720a	SPT-11L..	51130a	TE-S..	55765a	TTMK..	50565a
RPAD9308	55585a	SPT-15..	51150a	TME..	52670a	TUBE-R10S-6000	53605a
RPAD9308	55795a	SPT-16..	51160a	TME-K..	52671a	TWP-S4030..	55765c
RPAD9308	55615a	SPT-2..	51130a	TOP-20P	53585a	UC..	56300a
RPAD9308	55825a	SPT-4..	51130a	TOP-23P..	53585a	UCFB..	56140a
RR-47..83-PEB-S	51110a	SPT-4..	51160a	TOP-23S..	53585a	UCFG..	56080a
RR-47..83-PEG	51080a	SPT-84..	51120a	TOP-24P..	53585a	UCFH..	56020a
RR-47..85-PEB-S	51110a	SPT-84..	51160a	TOP-24S..	53585a	UCFH..	56030a
RR-47..85-PEG	51080a	SQL..	56130a	TOP-25S..	53585a	UCFH..	56042a
RR-57..27-PEG	51040a	SR800..	11120a	TOP-40P..	53585a	UCFH..ME..	56040a
RR-57..41-PEG	51050a	SS802..	11120a	TOP-40S..	53585a	UCFHXX..	56042a
RR-57..43-PEG	51050a	SS812..	11030a	TOP-60S..	53585a	UCFL..	56020a
RR-57..83-PEB-S	51110a	SS881M..	11060a	TOP-90S..	53585a	UCFL..ME..	56040a
RR-57..83-PEG	51080a	SS881MO..	11060a	TTM01..	50050a	UFLX..	56020a
RR-57..85-PEB-S	51110a	SSA805..	11120a	TTM02..	50050a	UFLQ..	56072a
RR-57..85-PEG	51080a	SSA815..	11030b	TTM03..	50020a	UFLZ..ME..	56040a
RR-67..41-PEG	51050a	SSA8810..	11080a	TTM04..	50050a	VG-009M-01	51630a
RR-67..83-PEB-S	51110a	SSA8810TAB..	11070a	TTM05..	50030a	VG-011..	51620a
RR-67..83-PEG	51080a	SSE515..	11130a	TTM06..	50020a	VG-012-01	51620a
RR-67..85-PEB-S	51110a	SSE805..	11120a	TTM07..	50020a	VG-013..	51620a
RR-67..85-PEG	51080a	SSE805.VG	11180a	TTM08..	50020a	VG-016-02	51630a
RRF-40..86-PEG	51080a	SSE815..	11030a	TTM09..	50020a	VG-018M..	51630a
RRF-50..86-PEG	51080a	SSE8157..	11100a	TTM10..	50020a	VG-022-01	51630a
RRF-57..28-PEG	51040a	SSE8157.VG	11180a	TTM11..	50030a	VG-113SM-08G	51820a
RRF-57..43-PEG	51050a	SSE8157TAB..VG	11180a	TTM12..	50030a	VG-1568M..	52611a
RRF-60..86-PEG	51080a	SSE8810..	11080a	TTM21..	50040a	VG-213..	53565a
RRF-67..43-PEG	51050a	SSE881.VG	11170a	TTM22..	50040a	VG-213R-TOP..	53590a
RSHOE-S330	50600b	SSE881M..	11060a	TTM23..	50040a	VG-222JQ..	51810a
S800..	11030b	SSE881MO..	11060a	TTM31..	50040a	VG-223R..	53565a
S815..	11030b	SSE881MO..	11160a	TTM32..	50040a	VG-223R-TOP..	53590a
SCREW21M5-SS	30615a	SSE8810..	11080a	TTM33..	50040a	VG-245..	53575a
SF-CD1..	54540a	SSE8810TAB..	11070a	TTM37	50040a	VG-253..	53570a
SF-SPS..	54540a	SS8810TAB..	11070a	TTM39..	50060a	VG-254..	53570a
SHOE-15L105..	51150a	SSE881RTAB..	11070a	TTM40..	50060a	VG-3050..	54020a
SHOE-48..	52611a	SSE881TAB..VG	11170a	TTM41..	50060a	VG-3051..	54050a
SHOE-49L26	52592a	SSE8857M..	11110a	TTM42..	50060a	VG-3052..	54050a
SHOE-49L42	52593a	SSE8857M..VG	11160a	TTM48..	50060a	VG-3055..	54050a
SHOE-53L102..	51150a	SSE8857TAB..	11110a	TTM52..	50060a	VG-3070..	54060a
SHOE-84L244..	51170a	SSEL815..	11020a	TTM61..	50050a	VG-3080..	54060a
SHOE-84L68..	51160a	SSEL815..	11030a	TTM62..	50050a	VG-3087..	54060a
SHOE-85L244..	51170a	SSEL881MO..	11060a	TTM64..	50101a	VG-3110..	54070a
SHOE-88L244..	51170a	SSER814.VG	11150a	TTM66..	50101a	VG-3115..	54070a
SHOE-89L152..	51170a	SSER815.VG	11150a	TTM68..	50070a	VG-60..	53615a
SHOE-94..	52611a	SSER815TAB..VG	11150a	TTM71.	50070a	VG-619..	53610a
SK38.DMS	11330a	SSL812..	11030a	TTM78..	50070a	VG-620..	53615a
SK38.RMS	11330a	SSL881MO..	11060a	TTM82..	50070a	VG-632..	54560a
SMB-60..	53625a	SSSR815..	11030a	TTM84..	50101a	VG-633..	54550a
SP-10049..	53535a	TC-20..	53610a	TTM85..	50101a	VG-634..	54550a
		TC-60..	53625a	TTM86..	50101a	VG-641T..	53590a

Legend

Codes ending with .. indicate a group of item descriptions all starting with the code listed. Example: 2122.. (all item descriptions starting with 2122).
 Codes with .. in the middle indicate a group of item descriptions starting and ending with the codes listed. Example 2251..RS (all item descriptions starting with 2251 and ending with RS). **Information about item descriptions, printed in blue, is only available on our website: www.SystemPlastSmartGuide.com**

Chains & sprockets	Wear strips	Side guide brackets & accessories	Levelers	Engineering manual
Modular belts & sprockets	Chain & belt return systems	Frame & structure supports	Bearing supports	
Curves & tracks	Side guide solutions	Miscellaneous products	Equipment	

Item description	Page code	Item description	Page code	Item description	Page code	Item description	Page code
VG-686A-1.25-3M	52611a	VG-JSL075-125..	50530a	VG-Q-75-40..	53595a		
VG-687-1.4-3M	52612a	VG-JSL075-188..	50530b	VG-QSC..	53595a		
VG-687-3.3-3M	52612a	VG-L20M..	50520a	VG-QT-01	53595a		
VG-687FLEX-1.4-3M	52610a	VG-LGSF..	51520a	VG-S1020M..	51660b		
VG-687H-1.4-3M	52611a	VG-LGSR..	51520a	VG-S1040M..	50560a		
VG-687H-3.3-3M	52611a	VG-LGST..	51520b	VG-S330M..	50580a		
VG-687LDB-M8	52612a	VG-LSSF..	51520a	VG-S4-330M..	50580a		
VG-687NP-1.4M	52612a	VG-LSSM..	51520a	VG-S4P330C..	50580b		
VG-687SP	52611a	VG-LSSMT..	51520c	VG-S4-S3020..	50550a		
VG-688-1.4-3M	52614a	VG-LSSR..	51520a	VG-S640M..	50560a		
VG-688-3.3-3M	52614a	VG-LSST..	51520b	VG-S840M..	50560a		
VG-688FLEX-1.4-3M	52610a	VG-LSST..	51520a	VG-SC..	54630a		
VG-688H-1.4-3M	52613a	VG-LSST..	51520c	VG-SCL..	54630a		
VG-688H-3.3-3M	52613a	VG-LSSWF..	51520a	VG-SD..	51660a		
VG-750-10	50550b	VG-LSSWF..	51520b	VG-SP1040M..	50560a		
VG-A2520..	51740b	VG-MBG-50-NS-10	50570a	VG-SP330C..	50580b		
VG-A330M..	50580a	VG-NG110..	51720a	VG-SP640M..	50560a		
VG-A600A..	51740a	VG-NG125..	51720a	VG-SP840M..	50560a		
VG-A840..	52650a	VG-NG47..	51720a	VG-SSF-HT-10	51520a		
VG-ABG..	51730a	VG-NG49..	51720a	VG-SSMT..	51520c		
VG-AP330C..	50580b	VG-NG50..	51720a	VG-SSTS..	51520b		
VG-BP..	54030a	VG-NG81..	51720a	VG-T425M..	50550b		
VG-BPT..	54030b	VG-NG91..	51720a	VG-TP..	54030a		
VG-BPV..	54030b	VG-P1040M..	50560a	VG-U3041..	50550a		
VG-BWS-125-10	50570a	VG-P105..	50650a	VG-U3042..	50550a		
VG-DB83M-B-10	51710a	VG-P10MRD..	51710a	VG-U3043..	50550a		
VG-F203M..	50550b	VG-P12MRD..	51710a	VG-U4045..	50550a		
VG-F205M..	50550b	VG-P14BC..	50650a	VG-J23..	50520a		
VG-F205M..	51120a	VG-P14HD..	50650b	VG-Z18M..	50520a		
VG-F206M..	51120a	VG-P18BC..	50650a	VG-Z20M..	50520a		
VG-F253M..	50550b	VG-P18CC-100	50530a	VG-Z20WM..	50520a		
VG-F303M..	50550b	VG-P18HD..	50650b	VG-Z21..	50520a		
VG-F403..	50550a	VG-P2520..	51740b	VT1701T..	50170a		
VG-F403M..	50550b	VG-P316BC..	50650a	VT1710CT..	50170a		
VG-F503M..	50550b	VG-P316HD..	50650b	VT1713CT..	50180a		
VG-F603M..	50550b	VG-P330C..	50580a	VT1873T..	50160a		
VG-F703M..	50550b	VG-P330CW..	50610a	VT880B..	50130a		
VG-G1020M..	51660b	VG-P330M..	50560a	VT880T..	50110a		
VG-GD..	51660a	VG-P516BC..	50650b	VT882..	50140a		
VG-H7816M..	51690a	VG-P640M..	50560a	VT882B..	50150a		
VG-H14022M..	51703a	VG-P650M..	50560a	VTC880..	50120a		
VG-H8716M..	51700a	VG-P680M..	50560a	VTR880B..	50130a		
VG-H9014M..	51680a	VG-P7GABC..	50650a	VTR882B..	50150a		
VG-J100-125T..	50530a	VG-P7GAHD..	50650b	W1700	11530a		
VG-J100-188..	50530b	VG-P813..	51740a				
VG-J21M..	50520a	VG-P816..	51740a				
VG-J23M..	50520a	VG-P822..	51740a				
VG-JEL-078..	50530a	VG-P834..	51740a				
VG-JL19M..	50520a	VG-P840DBM..	51710a				
VG-JS100-125..	50530a	VG-P840M..	50560a				
VG-JS100-188..	50530b	VG-P8MRD..	51710a				
VG-JS150-125..	50530a	VG-PBG5..	51730a				
VG-JS150-18..	50530b	VG-PBG7..	51730a				
VG-JS200-125..	50530a	VG-PD..	51660b				
VG-JS200-188..	50530b	VG-PM10BC..	50650b				
VG-JS3-075-125..	50530a	VG-PM4BC..	50650a				

Legend

Codes ending with .. indicate a group of item descriptions all starting with the code listed. Example: 2122.. (all item descriptions starting with 2122).
 Codes with .. in the middle indicate a group of item descriptions starting and ending with the codes listed. Example 2251..RS (all item descriptions starting with 2251 and ending with RS). **Information about item descriptions, printed in blue, is only available on our website: www.SystemPlastSmartGuide.com**

Chains & sprockets	Wear strips	Side guide brackets & accessories	Levelers	Engineering manual
Modular belts & sprockets	Chain & belt return systems	Frame & structure supports	Bearing supports	
Curves & tracks	Side guide solutions	Miscellaneous products	Equipment	

1. DEFINITIONS:

In these Terms and Conditions of Sale, "Seller" means System Plast S.r.l.; "Buyer" means the person, firm, company or corporation by whom the order is given; "Goods" means the goods (including any Software and Documentation, as defined in Clause 9) described in Seller's Acknowledgement of Order form; "Services" means the services described in Seller's Acknowledgement of Order Form; "Contract" means the written agreement (including these Terms and Conditions) made between Buyer and Seller for the supply of the Goods and/or provision of Services; "Contract Price" means the price payable to Seller by Buyer for the Goods and/or Services and "Seller Affiliate" means any company which is for the time being directly or indirectly controlled by the ultimate parent company of Seller. For the purposes of this definition, a company is directly controlled by or is a subsidiary of another company or companies which holds 50% or more of the shares carrying the right to vote at a general meeting of the first mentioned company and a particular company is indirectly controlled by another company or companies if a series of companies can be specified, beginning with that company or those companies and ending with the particular company, so related that each company in the series is directly controlled by one or more of the companies earlier in the series.

2. THE CONTRACT:

2.1 All orders must be in writing and are accepted subject to these Terms and Conditions of Sale. No terms or conditions put forward by Buyer and no representations, warranties, guarantees or other statements not contained in Seller's quotation or Acknowledgement of Order nor otherwise expressly agreed in writing by Seller shall be binding on Seller.

2.2 The Contract shall become effective only upon the date of acceptance of Buyer's order on Seller's Acknowledgement of Order form or upon the date of fulfilment of all conditions precedent stipulated in the Contract, whichever is the later (the "Effective Date"). If the details of the Goods or Services described in Seller's quotation differ from those set out in the Acknowledgement of Order Form the latter shall apply.

2.3 No alteration or variation to the Contract shall apply unless agreed in writing by both parties. However, Seller reserves the right to effect minor modifications and/or improvements to the Goods before delivery provided that the performance of the Goods is not adversely affected and that neither the Contract Price nor the delivery date is affected.

3. VALIDITY OF QUOTATION AND PRICES:

3.1 Unless previously withdrawn, Seller's quotation is open for acceptance within the period stated therein or, when no period is so stated, within thirty days after its date.

3.2 Prices are firm for delivery within the period stated in Seller's quotation and are exclusive of (a) Value Added Tax and (b) any similar and other taxes, duties, levies or other like charges arising outside Italy in connection with the performance of the Contract.

3.3 Prices (a) are for Goods delivered EXW (Ex works) Seller's shipping point, exclusive of freight, insurance and handling and (b) unless otherwise stated in the Seller's quotation, are exclusive of packing. If the Goods are to be packed, packing materials are non-returnable.

4. PAYMENT:

Payment shall be made: (a) in full without set-off, counterclaim or withholding of any kind (save where and to the extent that this cannot by law be excluded); and (b) in the currency of Seller's quotation within thirty days of date of invoice unless otherwise specified by Seller's Finance Department. Goods will be invoiced at any time after their readiness for despatch has been notified to Buyer. Services will be invoiced monthly in arrears or, if earlier, upon completion. Without prejudice to Seller's other rights, Seller reserves the right to: (i) charge interest on any overdue sums at Unicredit Banca d'Impresa S.p.A. Brescia, Italy (or such higher rate stipulated by applicable law) during the period of delay; (ii) suspend performance of the Contract (including withholding shipment) in the event that Buyer fails or in Seller's reasonable opinion it appears that Buyer is likely to fail to make payment when due under the Contract or any other contract; and (iii) at any time require such reasonable security for payment as Seller may deem reasonable.

5. DELIVERY PERIOD:

5.1 Unless otherwise stated in Seller's quotation, all periods stated for delivery or completion run from the Effective Date and are to be treated as estimates only not involving any contractual obligations.

5.2 If Seller is delayed in or prevented from performing any of its obligations under the Contract due to the acts or omissions of Buyer or its agents (including but not limited to failure to provide specifications and/or fully dimensioned working drawings and/or such other information as Seller reasonably requires to proceed expeditiously with its obligations under the Contract), the delivery/completion period and the Contract Price shall both be adjusted accordingly.

5.3 If delivery is delayed due to any act or omission of Buyer, or if having been notified that the Goods are ready for despatch, Buyer fails to take delivery or provide adequate shipping instructions, Seller shall be entitled to place the Goods into a suitable store at Buyer's expense. Upon placing the Goods into the store, delivery shall be deemed to be complete, risk in the Goods shall pass to Buyer and Buyer shall pay Seller accordingly.

6. FORCE MAJEURE:

6.1 The Contract (other than Buyer's obligation to pay all sums due to Seller in accordance with the Contract) shall be suspended, without liability, in the event and to the extent that its performance is prevented or delayed due to any circumstance beyond the reasonable control of the party affected, including but not limited to: Act of God,

war, armed conflict or terrorist attack, riot, fire, explosion, accident, flood, sabotage; governmental decisions or actions (including but not limited to prohibition of exports or re-exports or the failure to grant or the revocation of applicable export licenses), or labour trouble, strike, lockout or injunction. Seller shall have no obligation to supply any hardware, software, services or technology unless and until it has received any necessary licences or authorisations or has qualified for general licences or licence exceptions under applicable import, export control and sanctions laws, regulations, orders and requirements, as they may be amended from time to time (including without limitation those of the United States, the European Union and the jurisdiction in which Seller is established or from which the items are supplied). If for any reason any such licenses, authorisations or approvals are denied or revoked, or if there is a change in any such applicable laws, regulations, orders or requirements that would prohibit Seller from fulfilling the Contract, or would in the reasonable judgement of Seller otherwise expose Seller and/or Seller Affiliate(s) to a risk of liability under applicable laws, regulations, orders or requirements, Seller shall be relieved without liability of all obligations under the Contract.

6.2 If either party is delayed or prevented from performance of its obligations by reason of this Clause for more than 180 consecutive calendar days, either party may terminate the then unperformed portion of the Contract by notice in writing given to the other party, without liability provided that Buyer shall be obliged to pay the reasonable cost and expense of any work in progress and to pay for all Goods delivered and Services performed as at the date of termination. Seller may deliver by instalments and if so each delivery shall constitute a separate contract and failure by Seller to deliver any one or more of the instalments in accordance with their terms shall not entitle Buyer to terminate the whole Contract or treat it as repudiated.

7. INSPECTION, TESTING, AND CALIBRATION:

7.1 Goods will be inspected by Seller or manufacturer and, where practicable, submitted to Seller's or manufacturer's standard tests before despatch. Any additional tests or inspection (including inspection by Buyer or its representative, or tests in the presence of Buyer or its representative and/or calibration) or the supply of test certificates and/or detailed test results shall be subject to Seller's prior written agreement and Seller reserves the right to charge therefore; if Buyer or its representative fails to attend such tests, inspection and/or calibration after seven days' notice that the Goods are ready therefore, the tests, inspection and/or calibration will proceed and shall be deemed to have been made in the presence of Buyer or its representative and the Seller's statement that the Goods have passed such testing and/or inspection and/or have been calibrated shall be conclusive.

7.2 Claims for shortfalls in quantity or for incorrect delivery shall be void if made more than 14 days after delivery.

8. DELIVERY, RISK & TITLE:

8.1 Unless otherwise expressly stated in the Contract, the Goods will be delivered Carriage Paid To (CPT) the destination named in the Contract; freight, packing and handling will be charged at Seller's standard rates. Risk of loss of or damage to the Goods shall pass to Buyer upon delivery as aforesaid and Buyer shall be responsible for insurance of the Goods after risk has so passed. Alternatively, if it is expressly stated in the Contract that Seller is responsible for the insurance of the Goods after their delivery to the carrier, such insurance will be charged at Seller's standard rates. "Ex-works"; "FCA"; "CPT" and any other delivery terms used in the Contract shall be defined in accordance with the latest version of Incoterms.

8.2 Subject to Clause 8.1, title to the Goods shall pass to Buyer upon delivery.

9. DOCUMENTATION AND SOFTWARE:

9.1 Title to and ownership of the copyrights in software and/or firmware incorporated into or provided for use with the Goods ("Software") and documentation supplied with the Goods ("Documentation") shall remain with the relevant Seller Affiliate (or such other party as may have supplied the Software and/or Documentation to Seller) and is not transferred hereby to Buyer.

9.2 Except as otherwise provided herein, Buyer is hereby granted a non-exclusive, royalty-free licence to use the Software and Documentation in conjunction with the Goods, provided that and for so long as the Software and Documentation are not copied (unless expressly authorised by applicable law) and Buyer holds the Software and Documentation in strict confidence and does not disclose them to others, or permit others to have access to them (other than Seller's standard operating and maintenance manuals). Buyer may transfer the foregoing licence to another party which purchases, rents or leases the Goods, provided the other party accepts and agrees in writing to be bound by the conditions of this Clause 9.

9.3 Notwithstanding Sub-clause 9.2, Buyer's use of certain Software, (as specified by Seller and including but not limited to control system and AMS Software) shall be governed exclusively by the applicable Seller Affiliate or third party licence agreement.

9.4 Seller and Seller Affiliates shall retain ownership of all inventions, designs and processes made or evolved by them and save as set out in this Clause 9 no rights in intellectual property are hereby granted.

10. DEFECTS AFTER DELIVERY:

10.1 Seller warrants (i) subject to the other provisions of the Contract, good title to and the unencumbered use of the Goods; (ii) that Goods manufactured by Seller and/or Seller's Affiliates shall conform with Seller's specifications therefore and be free of defects in materials and workmanship and (iii) that Services provided by Seller or Seller Affiliates will be performed with all reasonable skill, care and due diligence and in accordance with good engineering practice. Seller will make good, by repair or at Seller's option by the supply of a replacement part or parts, any defects which, under proper use, care and maintenance, appear in Goods of Seller Affiliates' manufacture and which are reported to Seller within 12 calendar months from putting such Goods

into operation or 18 calendar months after their delivery, whichever period expires the sooner, (90 days after delivery in the case of Consumables and spare parts) (the "Warranty Period") and which arise solely from faulty materials or workmanship: provided always that defective items are returned to Seller at Buyer's cost carriage and insurance prepaid within the Warranty Period. ("Consumables" shall include glass electrodes, membranes, liquid junctions, electrolyte and O-rings). Replaced items shall become the property of the Seller. Repaired or replacement items will be delivered by Seller at Seller's cost to Buyer's mainland site in Italy or, if Buyer is located outside Italy, FCA in Italy. Seller will correct defects in Services provided by Seller or Seller Affiliates and reported to Seller within ninety days after completion of such Services. Goods or Services repaired, replaced or corrected in accordance with this Clause 10.1 shall be subject to the foregoing warranty for the unexpired portion of the Warranty Period or for ninety days from the date of their return to Buyer (or completion of correction in the case of Services), whichever expires the later.

10.2 Goods or Services sourced by Seller from a third party (not being a Seller Affiliate) for resale to Buyer shall carry only the warranty extended by the original manufacturer.

10.3 Notwithstanding Clauses 10.1 and 10.2, Seller shall not be liable for any defects caused by: fair wear and tear; materials or workmanship made, furnished or specified by Buyer; non-compliance with Seller's storage, installation, operation or environmental requirements; lack of proper maintenance; any modification or repair not previously authorised by Seller in writing; nor the use of non-authorized software or spare or replacement parts. Seller's costs incurred in investigating and rectifying such defects shall be paid by Buyer upon demand. Buyer shall at all times remain solely responsible for the adequacy and accuracy of all information supplied by it.

10.4 Subject to Clause 12, the foregoing constitutes Seller's sole warranty and Buyer's exclusive remedy for breach thereof. No representations, warranties or conditions of any kind, express or implied, shall apply as to satisfactory quality, merchantability, fitness for any particular purpose or any other matter with respect to any of the Goods or Services.

11. PATENT, ETC. INFRINGEMENT:

11.1 Subject to the limitations set forth in Clause 12, Seller shall indemnify Buyer in the event of any claim for infringement of Letters Patent, Registered Design, Design Right, Trade Mark or Copyright ("Intellectual Property Rights") existing at the date of formation of the Contract arising from the use or sale of the Goods, against all reasonable costs and damages awarded against Buyer in any action for such infringement, or for which Buyer may become liable in any such action, provided always that Seller shall not be liable to so indemnify Buyer in the event that:

(i) such infringement arises as a result of Seller having followed a design or instruction furnished or given by Buyer, or the Goods having been used in a manner or for a purpose or in a country not specified by or disclosed to Seller prior to the date of the Contract or in association or combination with any other equipment or software, or (ii) Seller has at its expense procured for Buyer the right to continue to use the Goods or has modified or replaced the Goods so that the Goods no longer infringe, or (iii) Buyer has failed to give Seller the earliest possible notice in writing of any claim made or to be made or of any action threatened or brought against Buyer and/or Buyer has failed to permit Seller, at Seller's expense, to conduct and control any litigation that may ensue and all negotiations for a settlement of the claim, or (iv) Buyer has made without Seller's prior written consent any admission which is or may be prejudicial to Seller in respect of any such claim or action, or (v) the Goods have been modified without Seller's prior written authorisation.

11.2 Buyer warrants that any design or instructions furnished or given by it shall not cause Seller to infringe any Intellectual Property Rights in the performance of Seller's obligations under the Contract and shall indemnify Seller against all reasonable costs and damages which Seller may incur as a result of any breach of such warranty.

12. LIMITATION OF LIABILITY:

Except for death or personal injury caused by Seller and for Seller's willful misconduct or gross negligence: (i) Seller's and Seller Affiliates' total liability for any and all damages, claims or causes of action howsoever arising (including, without limitation, damage, claims or causes of action by virtue of tort, by breach of contract or statutory duty, negligence, strict liability or infringement of Intellectual Property Rights) shall not exceed the Contract Price; and (ii) Seller and Seller Affiliates shall not be liable to Buyer in any circumstances for any loss of profits, loss of contracts, loss of use, loss of data or consequential or indirect loss nor, save as set out in Clause 11 and in the preceding provisions of this Clause, for any loss or damage of any kind whatsoever, howsoever arising, claimed against or suffered by Buyer.

13. STATUTORY AND OTHER REGULATIONS:

13.1 If Seller's obligations under the Contract shall be increased or reduced by reason of the making or amendment after the date of Seller's quotation of any law or any order, regulation or by-law having the force of law that shall affect the performance of Seller's obligations under the Contract, the Contract Price and delivery period shall be adjusted accordingly and/or performance of the Contract suspended or terminated, as appropriate.

13.2 Except to the extent otherwise required by applicable law, Seller shall have no responsibility for the collection, treatment, recovery or disposal of (i) the Goods or any part thereof when they are deemed by law to be 'waste' or (ii) any items for which the Goods or any part thereof are replacements. If Seller is required by applicable law, including waste electrical and electronic equipment legislation, in particular European Directives 2002/96/EC (WEEE) and 2003/108/EC as implemented by Legislative Decree dated July 25, 2005 no. 151, to dispose of 'waste' Goods or any part thereof, Buyer shall, unless prohibited by applicable law, pay Seller, in addition to the Contract Price, either (i) Seller's standard charge for disposing of such Goods or (ii) if Seller does not have such a standard charge, Seller's costs (including all handling, transportation and disposal costs and a reasonable mark-up for overhead) incurred in disposing of such Goods.

13.3 Buyer's personnel shall, whilst on Seller's premises, comply with Seller's applicable site regulations and Seller's reasonable instructions, including but not limited to those relating to safety, security and electrostatic discharge.

14. COMPLIANCE WITH LAWS

Buyer agrees that all applicable import, export control and sanctions laws, regulations, orders and requirements, as they may be amended from time to time, including without limitation those of the United States, the European Union and the jurisdictions in which Seller and Buyer are established or from which items may be supplied, and the requirements of any licenses, authorisations, general licences or licence exceptions relating thereto will apply to its receipt and use of hardware, software, services and technology. In no event shall Buyer use, transfer, release, export or re-export any such hardware, software or technology in violation of such applicable laws, regulations, orders or requirements or the requirements of any licences, authorisations or licence exceptions relating thereto. Buyer agrees furthermore that it shall not engage in any activity that would expose the Seller or any of its affiliates to a risk of penalties under laws and regulations of any relevant jurisdiction prohibiting improper payments, including but not limited to bribes, to officials of any government or of any agency, instrumentality or political subdivision thereof, to political parties or political party officials or candidates for public office, or to any employee of any customer or supplier. Buyer agrees to comply with all appropriate legal, ethical and compliance requirements.

15. DEFAULT, INSOLVENCY AND CANCELLATION:

Seller shall be entitled, without prejudice to any other rights it may have, to cancel the Contract forthwith, wholly or partly, by notice in writing to Buyer, if (a) Buyer is in default of any of its obligations under the Contract and fails, within 30 (thirty) days of the date of Seller's notification in writing of the existence of the default, either to rectify such default if it is reasonably capable of being rectified within such period or, if the default is not reasonably capable of being rectified within such period, to take action to remedy the default or (b) on the occurrence of an Insolvency Event in relation to Buyer. "Insolvency Event" in relation to Buyer means any of the following: (i) a meeting of creditors of Buyer being held or an arrangement or composition with or for the benefit of its creditors being proposed by or in relation to Buyer; (ii) a chargeholder, receiver, administrative receiver or similar person taking possession of or being appointed over or any distress, execution or other process being levied or enforced (and not being discharged within seven days) on the whole or a material part of the assets of Buyer; (iii) Buyer ceasing to carry on business or being unable to pay its debts; (iv) Buyer or its directors or the holder of a qualifying floating charge giving notice of their intention to appoint, or making an application to the court for the appointment of, an administrator; (v) a petition being presented (and not being discharged within 28 days) or a resolution being passed or an order being made for the administration or the winding-up, bankruptcy or dissolution of Buyer; or (vi) the happening in relation to Buyer of an event analogous to any of the above in any jurisdiction in which it is incorporated or resident or in which it carries on business or has assets. Seller shall be entitled to recover from Buyer or Buyer's representative all costs and damages incurred by Seller as a result of such cancellation, including a reasonable allowance for overheads and profit (including but not limited to loss of prospective profits and overheads).

16. SUPPLEMENTARY TERMS AND CONDITIONS:

If the Goods comprise or include a control system, Seller's Supplementary Terms and Conditions Applicable to the Supply of Control Systems and Related Services shall apply to the control system and related services only. Such Supplementary Terms and Conditions shall take precedence over these Standard Terms and Conditions of Sale; copies are available from Seller upon request

17. MISCELLANEOUS:

17.1 No waiver by either party with respect to any breach or default or of any right or remedy and no course of dealing, shall be deemed to constitute a continuing waiver of any other breach or default or of any other right or remedy, unless such waiver be expressed in writing and signed by the party to be bound.

17.2 If any clause, sub-clause or other provision of the Contract is invalid under any statute or rule of law, such provision, to that extent only, shall be deemed to be omitted without affecting the validity of the remainder of the Contract.

17.3 Buyer shall not be entitled to assign its rights or obligations hereunder without the prior written consent of Seller.

17.4 Seller enters into the Contract as principal. Buyer agrees to look only to Seller for due performance of the Contract.

17.5 GOODS AND SERVICES PROVIDED HEREUNDER ARE NOT SOLD OR INTENDED FOR USE IN ANY NUCLEAR OR NUCLEAR RELATED APPLICATIONS. Buyer (i) accepts Goods and Services in accordance with the foregoing restriction, (ii) agrees to communicate such restriction in writing to any and all subsequent purchasers or users and (iii) agrees to defend, indemnify and hold harmless Seller and Seller Affiliates from any and all claims, losses, liabilities, suits, judgements and damages, including incidental and consequential damages, arising from use of Goods and Services in any nuclear or nuclear related applications, whether the cause of action be based in tort, contract or otherwise, including allegations that the Seller's liability is based on negligence or strict liability.

17.6 The Contract shall in all respects be construed in accordance with the laws of Italy excluding, however, any effect on such laws of the 1980 Vienna Convention on Contracts for the International Sale of Goods, and to the fullest extent permitted by Law, shall be without regard to any conflict of laws or rules which might apply the laws of any other jurisdiction. All disputes arising out of the Contract shall be subject to the exclusive jurisdiction of the courts in Milan, Italy.

17.7 The headings to the Clauses and paragraphs of the Contract are for guidance only and shall not affect the interpretation thereof.

17.8 All notices and claims in connection with the Contract must be in writing.

System Plast S.r.l.
Via G. Guareschi, 2
24060 Telgate (Bergamo)
Italy